



# Spare Parts Catalogue

**PFAFF 467**

**PFAFF 465**

**G. M. PFAFF AG - KAISERSLAUTERN BRANCH**

## Foreword

This parts catalogue contains the front parts, arm parts, bedplate parts and accessory parts of the Pfaff 467-6 as well as the supplementary parts of the Pfaff 465-6.

All component parts are grouped together as they are arranged in the machine.

All underlined part numbers signify assemblies which are made up of several component parts.

It is absolutely necessary that the ten-digit part number be stated on all orders for spare parts. The central portion of this number, as a rule, is identical with the old part number. In exceptional cases, the old part number is listed in parenthesis below the new ten-digit part number.

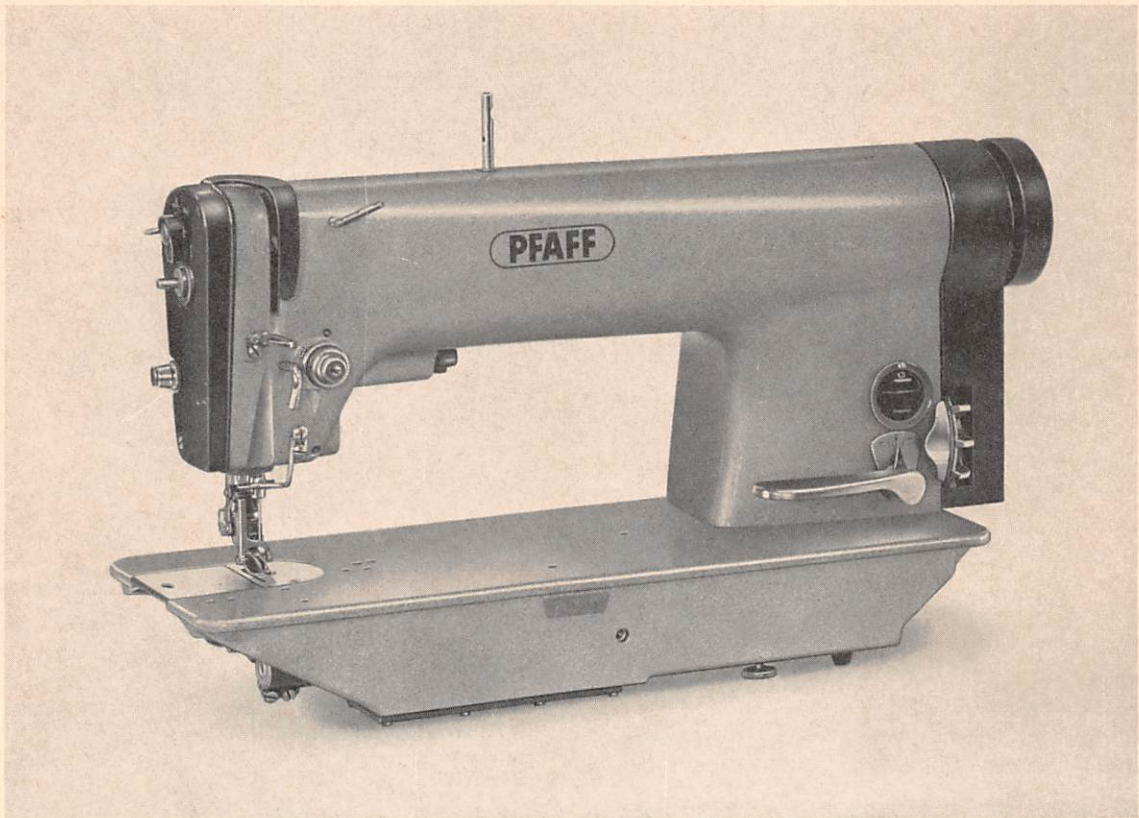
Assemblies incorporating extremely tight-fitting component parts will be exchanged for replacement assemblies. They are marked "Replacement Assembly" in the list and their components are provided with a foot note. For particulars regarding the exchange of these assemblies, please refer to Circulars Nos. 41/49 and 41/61.

Part number changes will be published on correction sheets.

Subject to alterations in design.

September 1965

**G. M. PFAFF AG**  
**Kaiserslautern Branch**



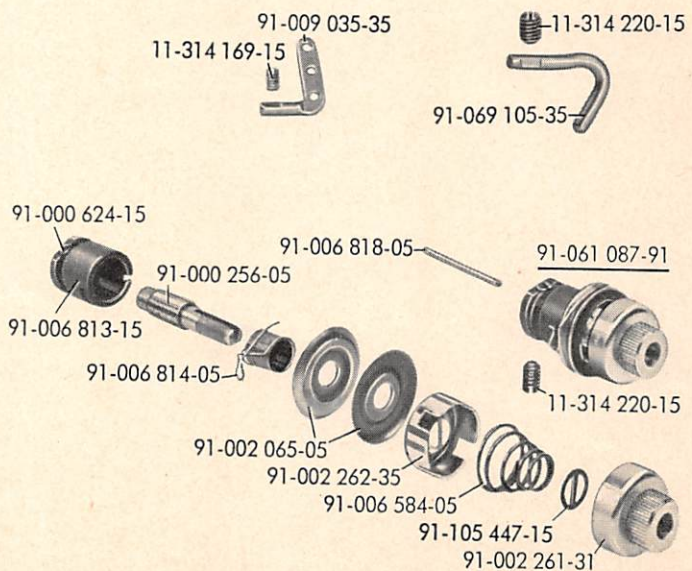
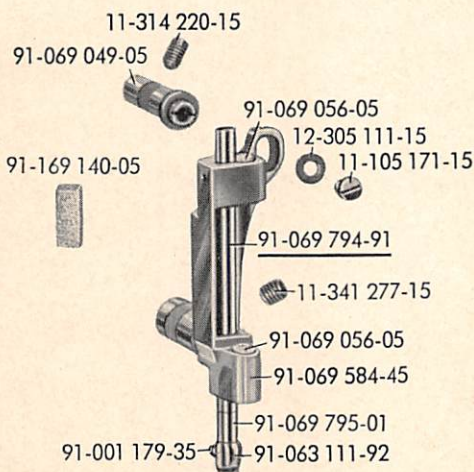
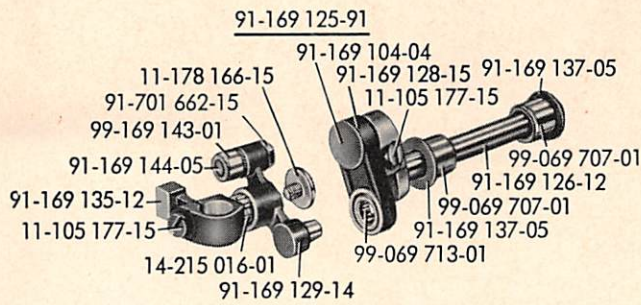
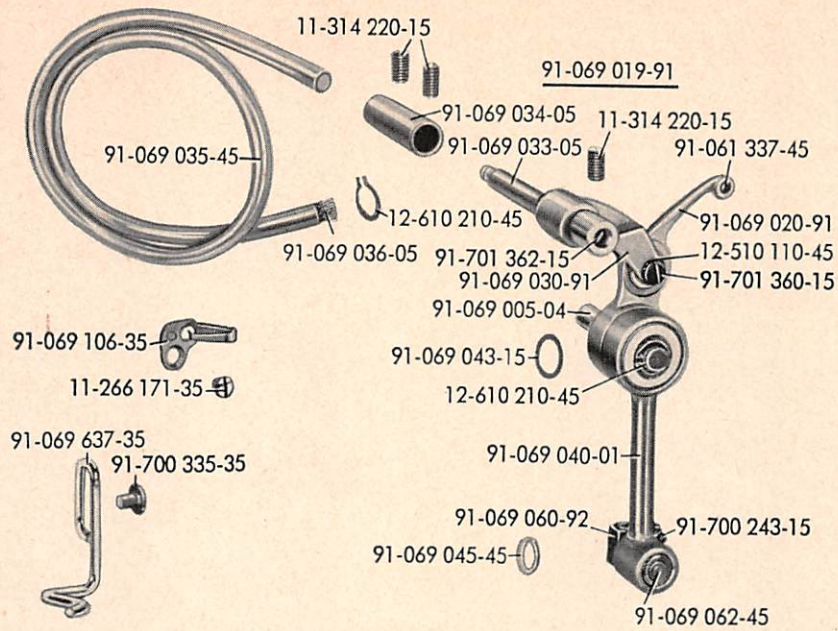
#### **Lockstitch High-Speed Sewing Machines**

**PFAFF 467-6**

Lockstitch high-speed sewing machine organized with ordinary bottom feed and variable top feed, double-revolution rotary hook (moving counter-clockwise), positive mechanical opener, link take-up, face cover bobbin winder, feed regulator and forward-reverse feed control.

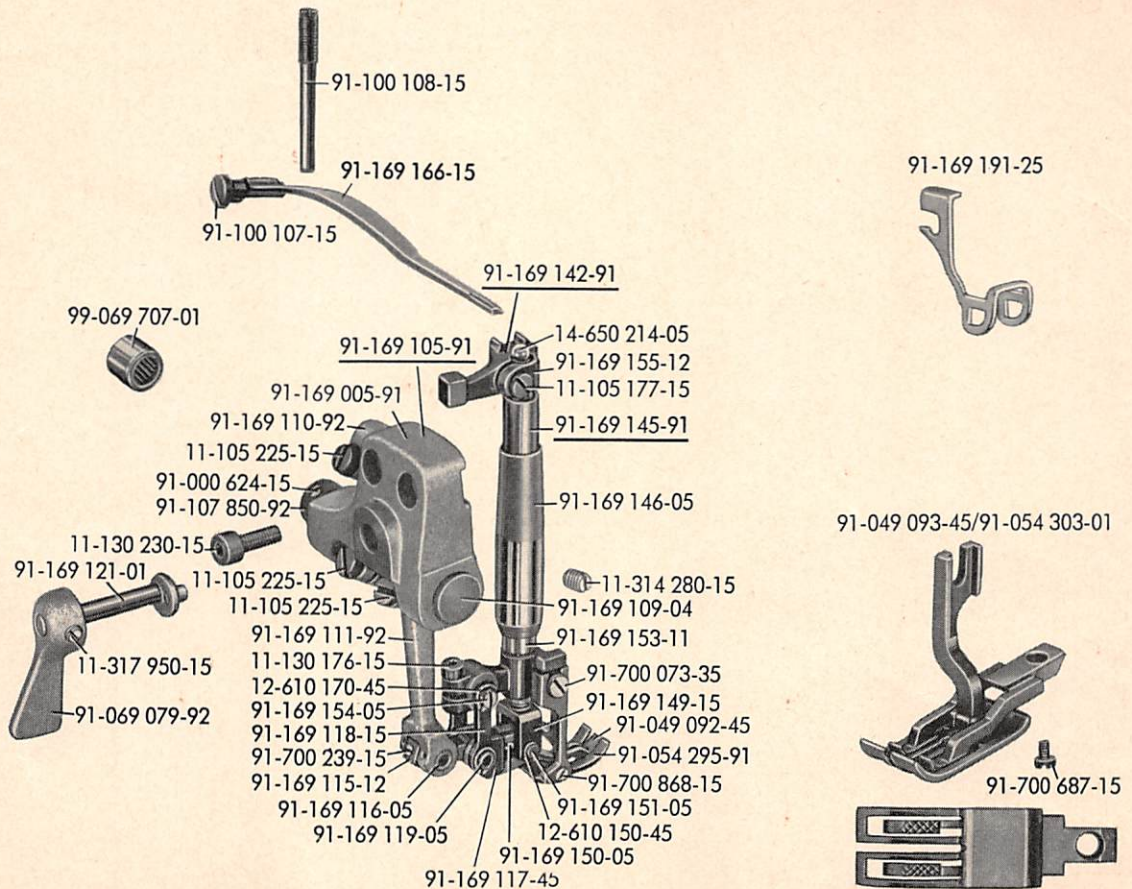
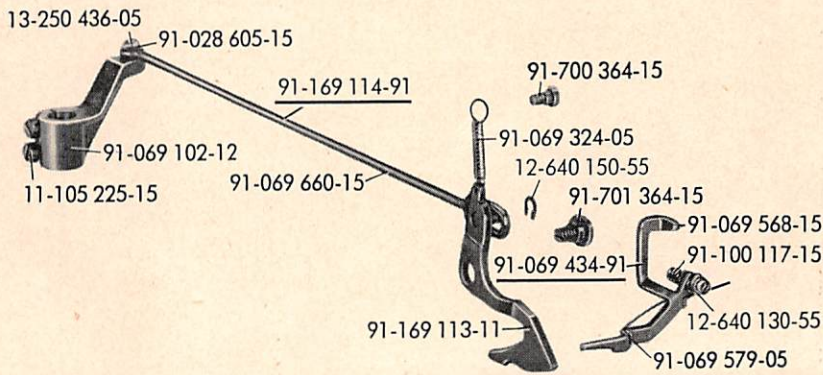
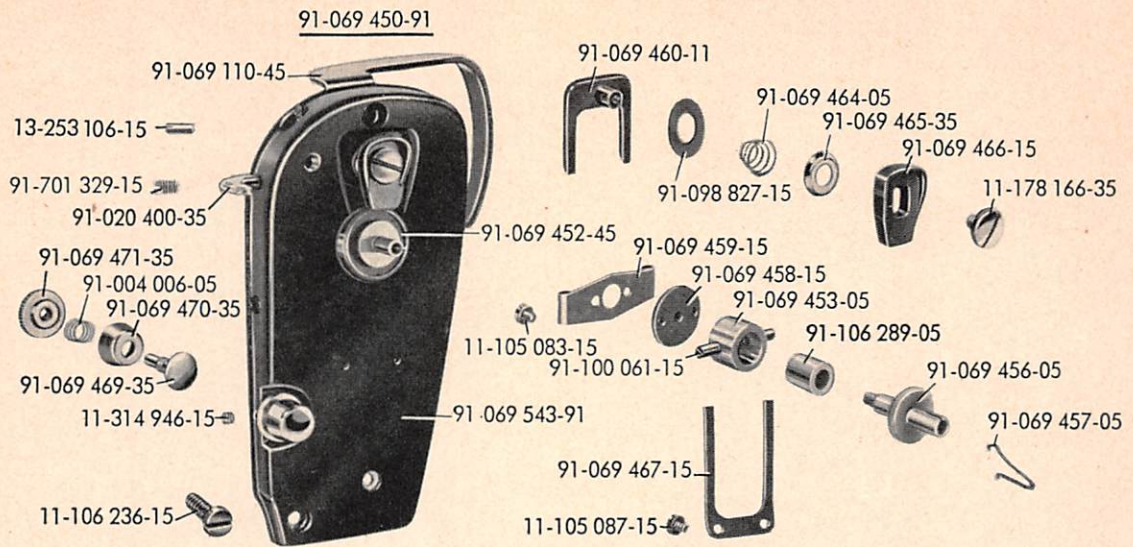
**PFAFF 465-6**

Same as Pfaff 467-6, but organized with compound feed and ordinary top feed.





## Front Parts



<b>11-105 083-15</b> (100 058)	Fastening screw for No. 91-069 459-15	<b>91-002 065-05</b>	Tension disc
<b>11-105 087-15</b> (701 395)	Fastening screw for No. 91-069 467-15	<b>91-002 261-31</b>	Nut for No. 91-000 256-05
<b>11-105 171-15</b> (100 002)	Fastening screw for No. 91-069 584-45	<b>91-002 262-35</b>	Tension release washer
<b>11-105 177-15</b> (701 363)	Binding screw for Nos. 91-169 126-12; 91-169 135-12; 91-169 155-12	<b>91-004 006-05</b>	Pressure spring for No. 91-069 470-35
<b>11-105 225-15</b> (701 365)	Binding screw for Nos. 91-069 102-12; 91-169 110-92; 91-169 111-92	<b>91-006 584-05</b>	Tension spring
<b>11-106 236-15</b> (100 056)	Fastening screw for No. 91-069 543-91	<b>91-006 813-15</b>	Thread check spring regulator
<b>11-130 176-15</b> (100 018)	Binding screw for No. 91-169 153-11	<b>91-006 814-05</b>	Thread check spring
<b>11-130 230-15</b> (100 220)	Fastening screw for No. 91-169 005-91	<b>91-006 818-05</b>	Tension release plunger
<b>11-178 166-15</b> (100 060)	End screw for No. 91-169 135-12	<b>91-009 035-35</b>	Thread retainer
<b>11-178 166-35</b> (100 060)	Fastening screw for No. 91-069 466-15	<b>91-020 400-35</b>	Thread retainer
<b>11-266 171-35</b> (701 367)	Fastening screw for No. 91-069 106-35	<b>91-028 605-15</b>	Washer for No. 13-250 436-05
<b>11-314 169-15</b> (701 316)	Fastening screw for No. 91-009 035-35	<b>91-049 092-45</b>	Vibrating presser foot (Subcl. -6/1)
<b>11-314 220-15</b> (701 359)	Fastening screw for Nos. 91-061 087-91; 91-069 033-05; 91-069 034-05; 91-069 049-05; 91-069 105-35	<b>91-049 093-45</b>	Vibrating presser foot (Subcl. -6/2)
<b>11-314 280-15</b> (700 150)	Fastening screw for No. 91-169 146-05	<b>91-054 295-91</b>	Lifting presser foot, w/ binding screws No. 91-700 868-15 (Subcl. -6/1)
<b>11-314 946-15</b> (701 314)	Fastening screw for No. 91-069 469-35	<b>91-054 303-01</b>	Lifting presser foot (Subcl. -6/2)
<b>11-317 950-15</b> (701 361)	Fastening screw for No. 91-069 079-92	<b>91-061 087-91</b>	Thread tension, complete, consisting of Nos.: 91-000 256-05; 91-000 624-15; 91-002 065-05; 91-002 261-31; 91-002 262-35; 91-006 584-05; 91-006 813-15; 91-006 814-05; 91-006 818-05; 91-105 447-15
<b>11-341 277-15</b> (100 138)	Fastening screw for No. 91-069 584-45	<b>91-061 337-45</b>	Take-up lever bushing (cemented)
<b>12-305 111-15</b> (69 047)	Washer for No. 11-105 171-15	<b>91-063 111-92</b>	Needle holder, w/ needle set screw No. 91-001 179-35
<b>12-510 110-45</b> (80 145)	Slip washer for No. 91-701 360-15	<b>91-069 005-04<sup>1)</sup></b>	Take-up crank stud for Nos. 91-069 020-91; 91-069 040-01
<b>12-610 150-45</b> (69 433)	Slip washer for No. 91-169 151-05	<b>91-069 019-91</b>	Take-up lever, complete, consisting of Nos. 12-510 110-45; 12-610 210-45; 91-069 005-04; 91-069 020-91; 91-069 030-91; 91-069 033-05; 91-069 040-01; 91-069 043-15; 91-069 060-92; 91-701 360-15
<b>12-610 170-45</b> (66 043)	Slip washer for Nos. 91-169 119-05; 91-169 154-05	<b>91-069 020-91<sup>1)</sup></b>	Take-up lever, w/ take-up lever bushing No. 91-061 337-45
<b>12-610 210-45</b> (28 626)	Circlip for Nos. 91-069 005-04; 91-069 035-45	<b>91-069 030-91<sup>1)</sup></b>	Take-up lever link
<b>12-640 130-55</b> (23 033)	Slip washer for No. 91-100 117-15	<b>91-069 033-05<sup>1)</sup></b>	Take-up lever link stud for No. 91-069 030-91
<b>12-640 150-55</b> (20 565)	Slip washer for No. 91-169 113-11	<b>91-069 034-05</b>	Bearing bushing for No. 91-069 033-05
<b>13-250 436-05</b> (101 827)	Hinge pin for No. 91-069 660-15	<b>91-069 035-45</b>	Oil tube, 460 mm long, for No. 91-069 033-05
<b>13-253 106-15</b> (101 801)	Positioning pin for No. 91-069 110-45	<b>91-069 036-05</b>	Oil wick, 600 mm long, for No. 91-069 035-45
<b>14-215 016-01<sup>2)</sup></b> (69 545)	Needle bearing for No. 91-169 129-14	<b>91-069 040-01<sup>1)</sup></b>	Needle bar connecting link
<b>14-650 214-05</b> (69 082)	Ball for No. 91-169 145-91	<b>91-069 043-15</b>	Washer for Nos. 91-069 020-91; 91-069 040-01
<b>91-000 256-05</b>	Tension stud	<b>91-069 045-45</b>	Washer (plastic) for Nos. 91-069 040-01; 91-069 060-92
<b>91-000 624-15</b>	Fastening screw for Nos. 91-000 256-05; 91-107 850-92	<b>91-069 049-05</b>	Eccentric stud for No. 91-069 584-45
<b>91-001 179-35</b>	Needle set screw	<b>91-069 056-05</b>	Foam-plastic pad for No. 91-069 584-45
		<b>91-069 060-92<sup>1)</sup></b>	Needle bar connecting stud, w/ binding screws No. 91-700 243-15

<sup>1)</sup> Will be exchanged for a replacement assembly. For repair, return take-up lever No. 91-069 019-91, complete.

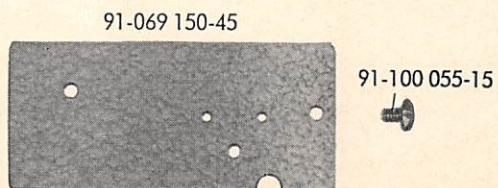
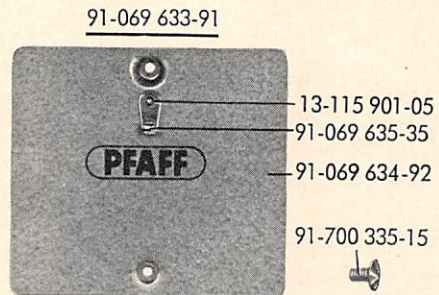
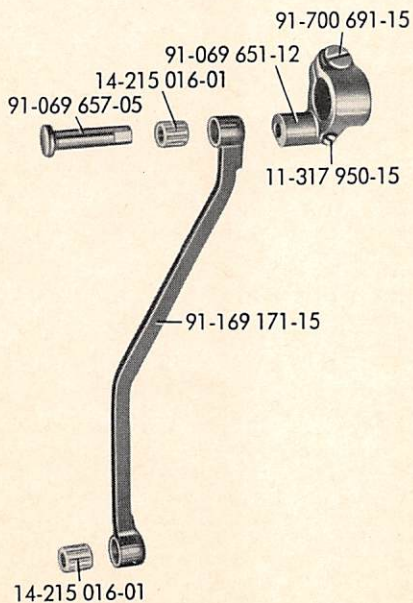
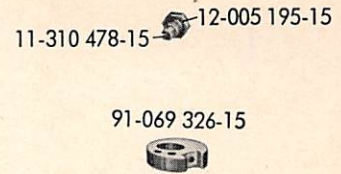
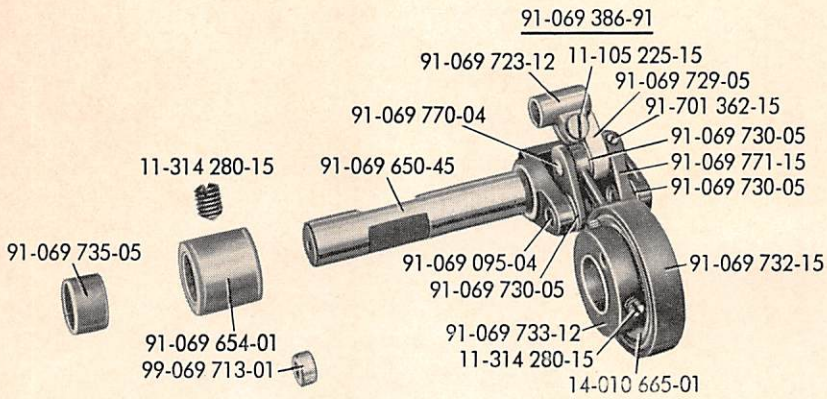
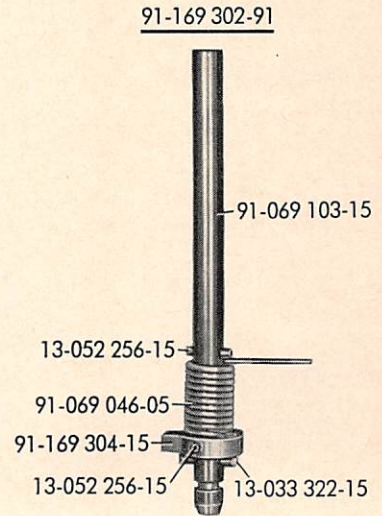
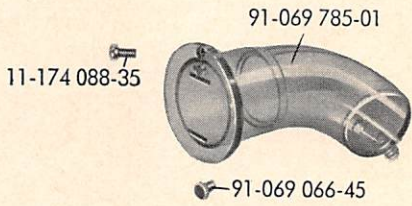
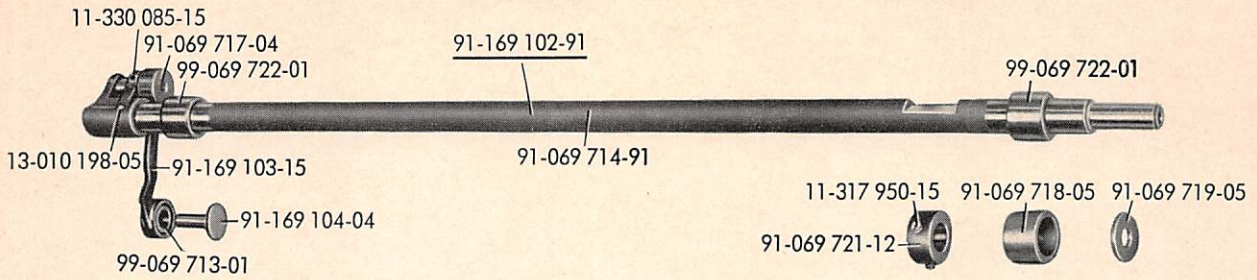
<sup>2)</sup> Will be exchanged for a replacement assembly. For repair, return vibrating presser lifting assembly No. 91-169 025-91, complete.

91-069 062-45	Plug (plastic) for No. 91-069 060-92	91-098 827-15	Washer for No. 91-069 464-05
91-069 079-92	Presser bar lifter, w/ set screw No. 11-317 950-15	91-100 061-15	Guide screw for No. 91-069 453-05
91-069 102-12	Lifter lever crank, w/ binding screws No. 11-105 225-15	91-100 107-15	Spring rest screw for No. 91-169 166-15
91-069 105-35	Thread guide	91-100 108-15	Regulating screw for No. 91-169 166-15
91-069 106-35	Thread guide, upper	91-100 117-15	Hinge screw for No. 91-069 568-15
91-069 110-45	Take-up lever guard	91-105 447-15	Washer for No. 91-006 584-05
91-069 324-05	Tension spring for No. 91-169 113-11	91-106 289-05	Bearing bushing for Nos. 91-069 453-05; 91-069 456-05
<u>91-069 434-91</u>	Tension release lever, complete, consisting of Nos. 12-640 130-55; 91-069 568-15; 91-069 579-05; 91-100 117-15	91-107 850-92	Set collar for No. 91-169 109-04, w/ set screws No. 91-000 624-15
<u>91-069 450-91</u>	Face cover bobbin winder, complete, consisting of Nos.: 11-105 083-15; 11-105 087-15; 11-178 166-35; 11-314 946-15; 91-004 006-05; 91-020 400-35; 91-069 452-45; 91-069 453-05; 91-069 456-05; 91-069 457-05; 91-069 458-15; 91-069 459-15; 91-069 460-11; 91-069 464-05; 91-069 465-35; 91-069 466-15; 91-069 467-15; 91-069 469-35; 91-069 470-35; 91-069 471-35; 91-069 543-91; 91-098 827-15; 91-100 061-15; 91-106 289-05; 91-701 362-15	91-169 005-91	Bearing bracket for Nos. 91-169 110-92; 91-169 111-92, w/ No. 99-069 707-01 Needle bearing No. 91-169 109-04 Fulcrum stud (Supplied as a unit only)
91-069 452-45	Guide bushing for No. 91-069 453-05	<u>91-169 082-91</u>	Vibrating presser vibrating mechanism, w/ presser bar assembly, complete, consisting of Nos. 91-049 093-45; 91-054 303-01; 91-169 105-91 complete; 91-169 145-91 complete; 91-700 687-15 (not ill.) (Subcl. -6/2)
91-069 453-05	Slide bushing for No. 91-069 452-45	91-169 104-04	Fulcrum stud for No. 91-169 128-15 (Orders should specify numbered of dots: 1, 2 or 3)
91-069 456-05	Bobbin winder spindle (left-hand thread)	<u>91-169 105-91</u>	Vibrating presser vibrating mechanism, complete, consisting of Nos. 12-610 170-45; 91-107 850-92; 91-169 005-91; 91-169 110-92; 91-169 111-92; 91-169 115-12; 91-169 116-05; 91-169 117-45; 91-169 118-15; 61-169 119-05; 91-169 154-05
91-069 457-05	Driving spring for No. 91-069 456-05	91-169 109-04	Fulcrum stud for Nos. 91-169 110-92; 91-169 111-92 (Orders should specify number of dots: 1, 2, 3 or 4)
91-069 458-15	Friction washer (left-hand thread) for No. 91-069 456-05	91-169 110-92	Vibrating presser driving crank, w/ binding screws No. 11-105 225-15
91-069 459-15	Bobbin winder spindle driver	91-169 111-92	Vibrating presser driving lever, w/ binding screws No. 11-105 225-15
91-069 460-11	Bobbin winder engaging fork for No. 91-069 453-05	91-169 113-11	Lifting lever
91-069 464-05	Pressure spring for No. 91-069 465-35	<u>91-169 114-91</u>	Lifting lever, complete, consisting of Nos. 12-640 150-55; 13-250 436-05; 91-028 605-15; 91-069 102-12; 91-069 324-05; 91-069 660-15; 91-169 113-11
91-069 465-35	Thread retainer stud collar	91-169 115-12	Connecting link for Nos. 91-169 111-92; 91-169 117-45, w/ set screw No. 91-700 239-15
91-069 466-15	Bobbin winder disengaging finger	91-169 116-05	Fulcrum stud for No. 91-169 115-12
91-069 467-15	Leaf spring for No. 91-069 453-05	91-169 117-45	Vibrating presser bracket
91-069 469-35	Thread retainer stud	91-169 118-15	Connecting link for Nos. 91-169 117-45; 91-169 153-11
91-069 470-35	Thread retainer sleeve	91-169 119-05	Fulcrum stud for Nos. 91-169 115-12; 91-169 117-45
91-069 471-35	Regulating nut for No. 91-069 469-35	91-169 121-01	Lifting crank for No. 91-169 113-11
91-069 543-91	Face cover, w/ No. 13-253 106-15 Positioning pin No. 91-069 110-45 Take-up lever guard		
91-069 568-15	Tension release lever		
91-069 579-05	Torsion spring for No. 91-069 568-15		
91-069 584-45	Needle bar frame		
91-069 637-35	Thread guide, lower		
91-069 660-15	Lifting lever connecting rod		
<u>91-069 794-91</u>	Needle bar, complete, consisting of Nos.: 91-063 111-92; 91-069 795-01		
91-069 795-01	Needle bar		



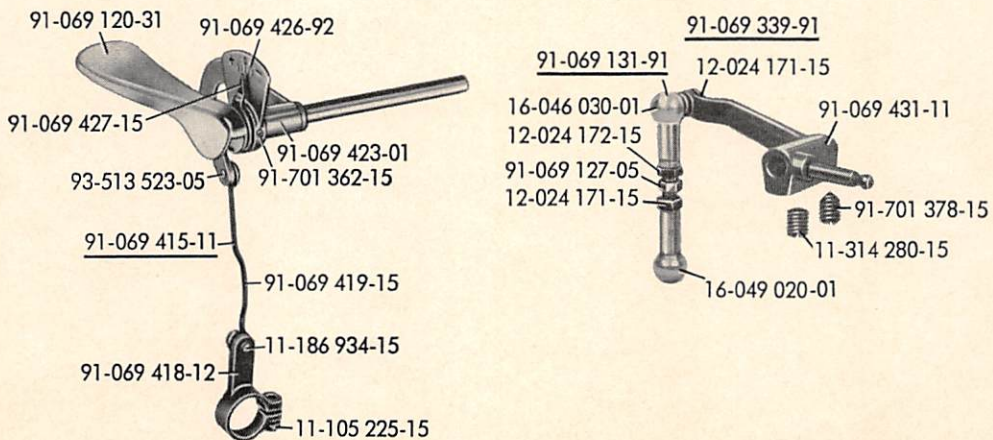
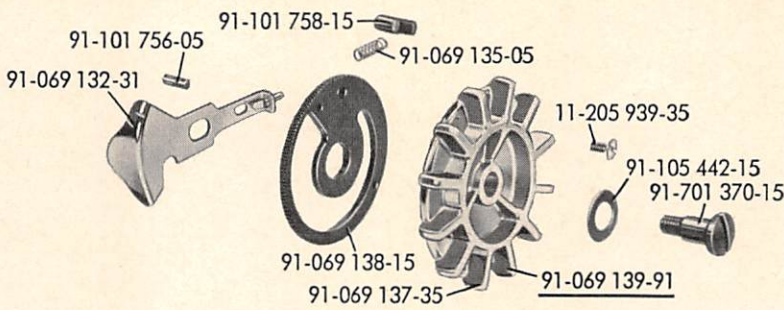
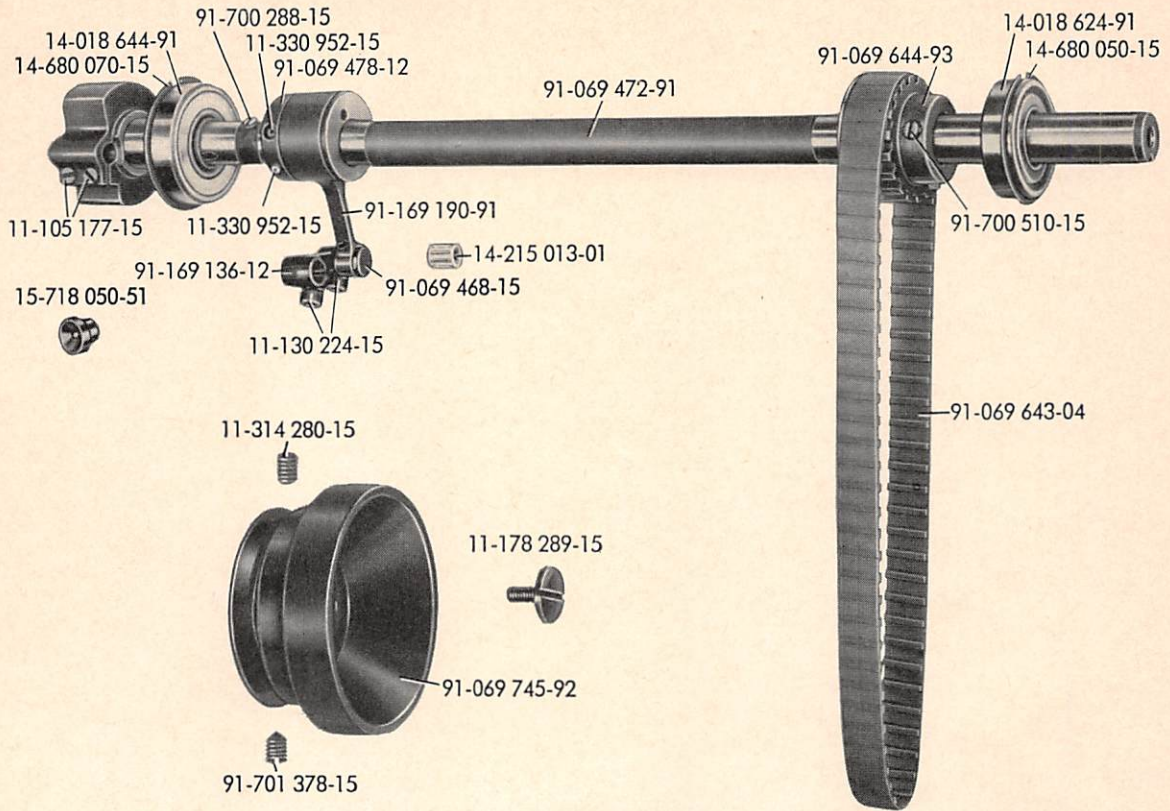
<b>91-169 125-91</b>	Vibrating presser lifting assembly (replacement assembly), complete, consisting of Nos.: 11-178 166-15; 14-215 016-01; 91-169 104-04; 91-169 126-12; 91-169 128-15; 91-169 129-14; 91-169 135-12; 91-169 144-05; 91-701 662-15; 99-069 713-01; 99-169 143-01	<b>91-169 151-05</b>	Fulcrum stud for No. 91-169 150-05
<b>91-169 126-12</b>	Vibrating presser lifting shaft, w/ binding screw No. 11-105 177-15	<b>91-169 153-11</b>	Presser bar
<b>91-169 128-15<sup>2)</sup></b>	Connecting link for Nos. 91-169 126-12; 91-169 129-14	<b>91-169 154-05</b>	Eccentric stud for No. 91-169 118-15
<b>91-169 129-14<sup>2)</sup></b>	Two-armed lever	<b>91-169 155-12</b>	Vibrating presser lifting member, w/ binding screw No. 11-105 177-15
<b>91-169 135-12<sup>2)</sup></b>	Presser bar lifting bracket, w/ binding screw No. 11-105 177-15	<b>91-169 166-15</b>	Presser bar leaf spring
<b>91-169 137-05</b>	Washer for No. 91-169 126-12	<b>91-169 191-25</b>	Finger guard
<b>91-169 140-05</b>	Oil pad (foam plastic) for No. 99-169 143-01	<b>91-700 073-35</b>	Fastening screw for Nos. 91-054 295-91; 91-054 303-01; 91-169 191-25
<b>91-169 142-91</b>	Vibrating presser vibrating mechanism, w/ presser bar assembly, complete, consisting of Nos.: 91-049 092-45; 91-054 295-91; 91-169 105-91 complete; 91-169 145-91 complete; 91-700 687-15 (Subcl. -6/1) (For Subcl. -6/2, see No. 91-169 082-91)	<b>91-700 239-15</b>	Fastening screw for No. 91-169 116-05
<b>91-169 144-05</b>	Fulcrum stud for No. 99-169 143-01	<b>91-700 243-15</b>	Binding screw for No. 91-069 060-92
<b>91-169 145-91</b>	Presser bar assembly, complete, consisting of Nos.: 11-130 176-15; 12-610 150-45; 91-169 146-05; 91-169 149-15; 91-169 150-05; 91-169 151-05; 91-169 153-11; 91-169 155-12; 91-700 073-35	<b>91-700 335-35</b>	Fastening screw for No. 91-069 637-35
<b>91-169 146-05</b>	Bearing bushing for No. 91-169 153-11	<b>91-700 364-15</b>	Spring suspension screw for No. 91-069 324-05
<b>91-169 149-15</b>	Vibrating presser lifting bar	<b>91-700 687-15</b>	Fastening screw for Nos. 91-049 092-45; 91-049 093-45
<b>91-169 150-05</b>	Roller for No. 91-169 117-45	<b>91-700 868-15</b>	Hinge screw for No. 91-054 295-91
		<b>91-701 329-15</b>	Fastening screw for No. 91-020 400-35
		<b>91-701 360-15</b>	Hinge screw for Nos. 91-069 020-91; 91-069 030-91
		<b>91-701 362-15</b>	End screw for No. 91-069 033-05
		<b>91-701 364-15</b>	Hinge screw for No. 91-169 113-11
		<b>91-701 662-15</b>	Nut for No. 91-169 144-05
		<b>99-069 707-01</b>	Needle bearing for No. 91-169 126-12
		<b>99-069 707-01</b>	Needle bearing for No. 91-169 005-91 (If replacement is required order No. 91-169 005-91)
		<b>99-069 713-01<sup>2)</sup></b>	Needle bearing for No. 91-169 128-15
		<b>99-169 143-01</b>	Roller for No. 91-169 144-05

<sup>2)</sup> Will be exchanged for a replacement assembly. For repair, return vibrating presser lifting assembly No. 91-169 125-91, complete.





## Arm Parts



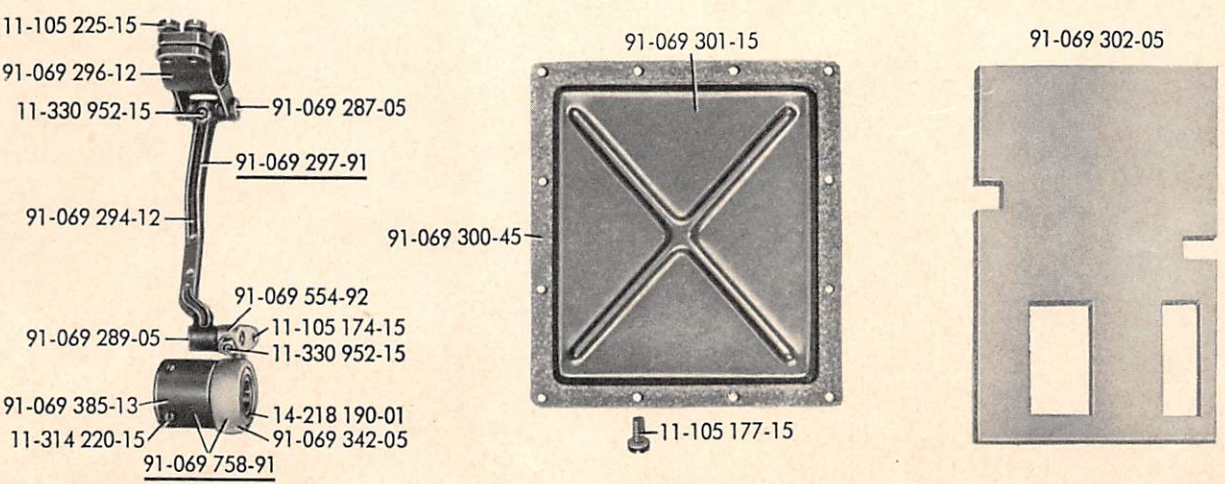
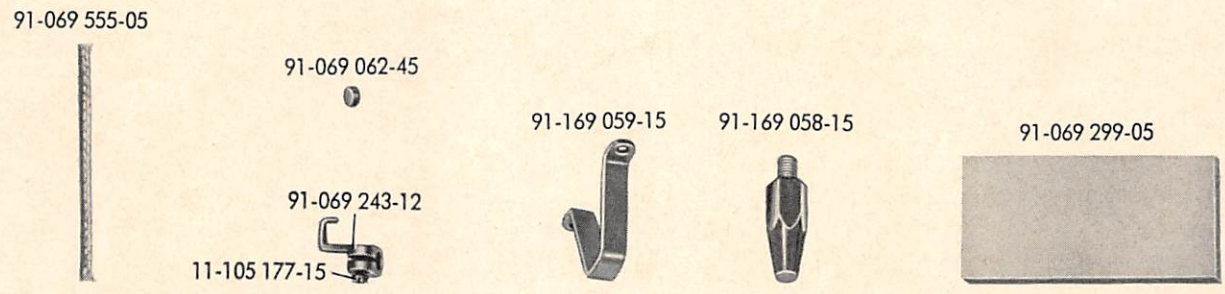
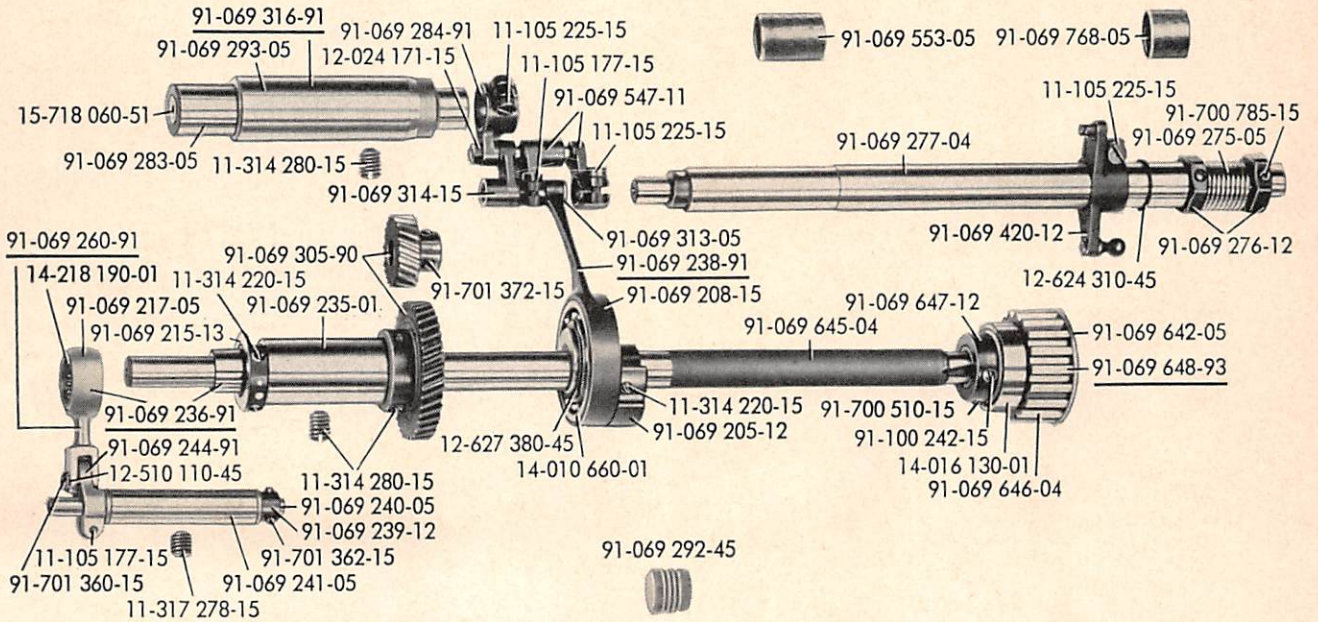
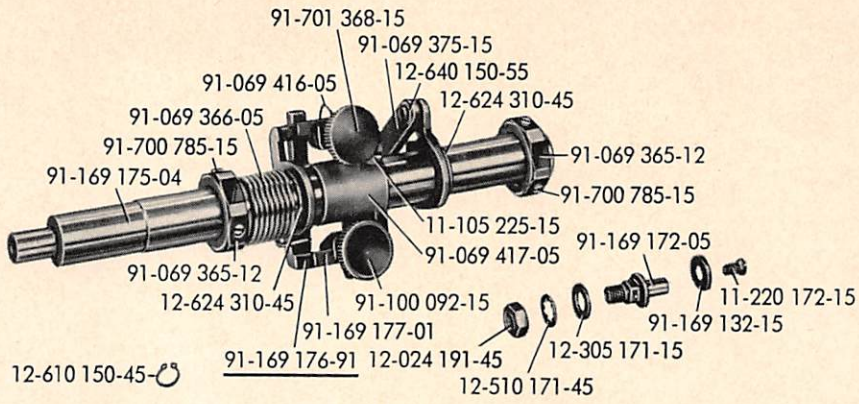
<b>11-105 177-15</b> (701 363)	Binding screw for No. 91-069 472-91	<b>91-069 066-45</b>	Plug for No. 91-069 785-01
<b>11-105 225-15</b> (701 365)	Binding screw for Nos. 91-069 418-12; 91-069 723-12	<b>91-069 095-04<sup>1)</sup></b>	Fulcrum stud for No. 91-069 771-15
<b>11-130 224-15</b> (100 127)	Binding screw for No. 91-169 136-12	<b>91-069 103-15</b>	Vertical shaft
<b>11-174 088-35</b> (100 188)	Fastening screw for No. 91-069 785-01	<b>91-069 120-31</b>	Feed reversing lever
<b>11-178 289-15</b> (100 035)	End screw for No. 91-069 472-91	<b>91-069 127-05</b>	Ball joint connection No. 91-069 131-91
<b>11-186 934-15<sup>2)</sup></b> (701 393)	Hinge screw for No. 91-069 419-15	<b>91-069 131-91</b>	Ball joint connection, complete, consisting of Nos. 12-024 171-15; 12-024 172-15; 16-046 030-01; 16-049 020-01; 91-069 127-05
<b>11-205 939-35</b> (100 005)	Fastening screw for No. 91-069 138-15	<b>91-069 132-31</b>	Stitch length locking slide
<b>11-310 478-15</b> (100 141)	Stop screw for Nos. 91-069 326-15; 91-169 304-15	<b>91-069 135-05</b>	Pressure spring for No. 91-069 132-31
<b>11-314 280-15</b> (700 150)	Fastening screw for Nos. 91-069 431-11; 91-069 654-01; 91-069 733-12; 91-069 745-92	<b>91-069 137-35</b>	Feed regulator dial
<b>11-317 950-15</b> (701 361)	Fastening screw for Nos. 91-069 657-05; 91-069 721-12	<b>91-069 138-15</b>	Stitch length cam
<b>11-330 085-15</b> (100 185)	Fastening screw for No. 91-069 717-04	<b>91-069 139-91</b>	Feed regulator dial, complete, consisting of Nos. 11-205 939-35; 91-069 137-35; 91-069 138-15
<b>11-330 952-15</b> (100 091)	Fastening screw for No. 91-069 478-12 and for top feed lifting eccentric	<b>91-069 150-45</b>	Arm cover, rear
<b>12-005 195-15</b> (701 713)	Nut for No. 11-310 478-15	<b>91-069 160-04</b>	Driving belt, w/ flat cleats, for U. S., Canada, Great Britain and Belgium only (Orders should specify number of marks: 1, 2 or 3)
<b>12-024 171-15</b> (101 501)	Nut for Nos. 16-046 030-01; 91-069 127-05	<b>91-069 326-15</b>	Collar (1st version) for No. 91-069 103-15 (Cannot be replaced by collar No. 91-169 304-15)
<b>12-024 172-15</b> (101 500)	Nut (left-hand thread) for No. 91-069 127-05	<b>91-069 339-91</b>	Feed regulator, complete, consisting of Nos. 11-314 280-15; 91-069 131-91 complete; 91-069 431-11; 91-701 378-15
<b>13-010 198-05</b> (101 800)	Positioning pin for No. 91-069 714-91	<b>91-069 386-91</b>	Top feed driving mechanism (replacement assembly), complete, consisting of Nos. 14-010 665-01; 91-069 095-04; 91-069 650-45; 91-069 723-12; 91-069 729-05; 91-069 730-05; 91-069 732-15; 91-069 733-12; 91-069 770-04; 91-069 771-15; 91-701 362-15; 99-069 713-01 (On Pfaff 465 top and needle feed driving mechanism)
<b>13-033 322-15</b> (1 975)	Driving pin for No. 91-169 302-91	<b>91-069 415-11<sup>2)</sup></b>	Differential feed indicator for top feed, complete, consisting of Nos. 11-186 934-15; 91-069 418-12; 91-069 419-15; 91-069 423-01; 93-513 523-05
<b>13-052 256-15</b> (101 784)	Stop pin for No. 91-069 103-15 and positioning pin for Nos. 91-069 326-15; 91-169 304-15	<b>91-069 418-12<sup>2)</sup></b>	Crank for No. 91-069 415-11, w/ set screw No. 11-105 225-15
<b>13-115 901-05</b> (69 636)	Rivet for No. 91-069 635-35	<b>91-069 419-15<sup>2)</sup></b>	Connection rod for No. 91-069 415-11
<b>14-010 665-01</b> (69 752)	Ball bearing for Nos. 91-069 732-15; 91-069 733-12	<b>91-069 423-01<sup>2)</sup></b>	Pointer actuating lever
<b>14-018 624-91</b> (69 011)	Ball bearing, rear, for No. 91-069 472-91, w/ circlip No. 14-680 050-15	<b>91-069 426-92<sup>2)</sup></b>	Differential feed scale, w/ set screw No. 91-701 362-15
<b>14-018 644-91</b> (69 006)	Ball bearing, front, for No. 91-069 472-91 w/ circlip No. 14-680 070-15	<b>91-069 427-15<sup>2)</sup></b>	Pointer for No. 91-069 426-92
<b>14-215 013-01</b> (69 479)	Needle bearing for No. 91-169 190-91	<b>91-069 431-11</b>	Feed regulator
<b>14-215 016-01</b> (69 545)	Needle bearing for No. 91-169 171-15	<b>91-069 468-15</b>	Fulcrum stud for No. 91-169 136-12
<b>14-680 050-15</b> (69 039)	Circlip for No. 14-018 624-91	<b>91-069 472-91</b>	Arm shaft, w/ crank and binding screw No. 11-105 177-15
<b>14-680 070-15</b> (69 038)	Circlip for No. 14-018 644-91	<b>91-069 478-12</b>	Set collar, w/ set screws No. 11-330 952-15
<b>15-718 050-51</b> (69 360)	Ball bearing sealer for No. 91-069 472-91	<b>91-069 633-91</b>	Top cover, complete, consisting of Nos. 13-115 901-05; 91-069 634-92; 91-069 635-35
<b>16-046 030-01</b> (69 126)	Connecting rod joint for No. 91-069 131-91, w/ nut No. 12-024 171-15		
<b>16-049 020-01</b> (69 281)	Connecting rod joint for No. 91-069 131-91		
<b>91-069 046-05</b>	Torsion spring for No. 91-169 302-91		

<sup>1)</sup> Will be exchanged for a replacement assembly. For repair, return top-feed driving mechanism No. 91-069 386-91, complete.

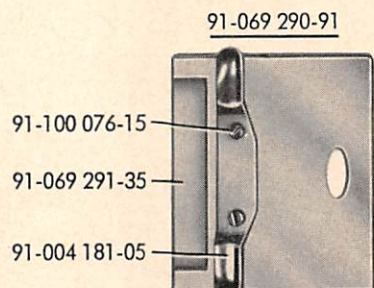
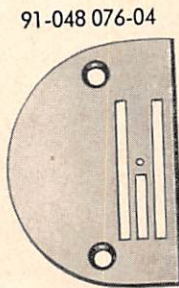
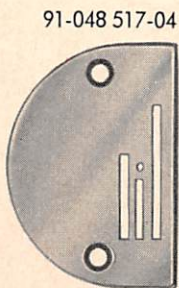
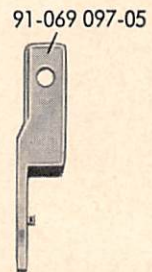
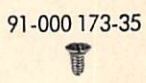
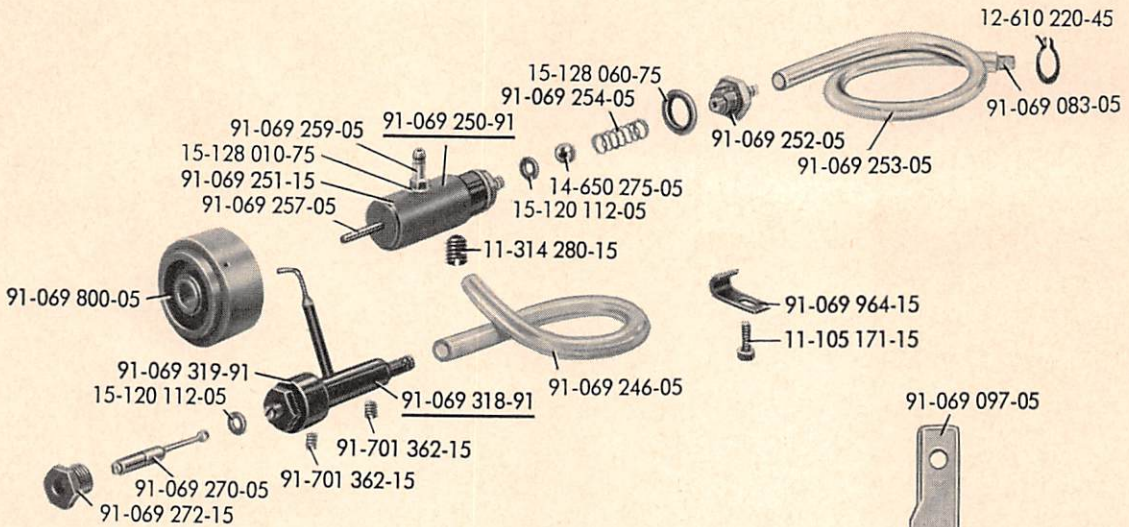
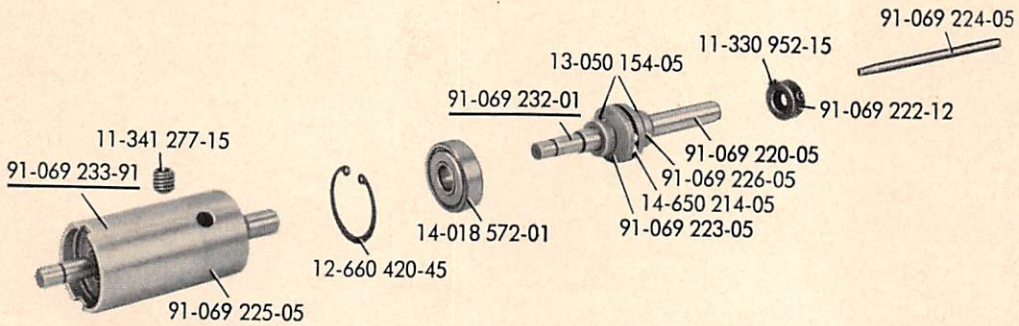
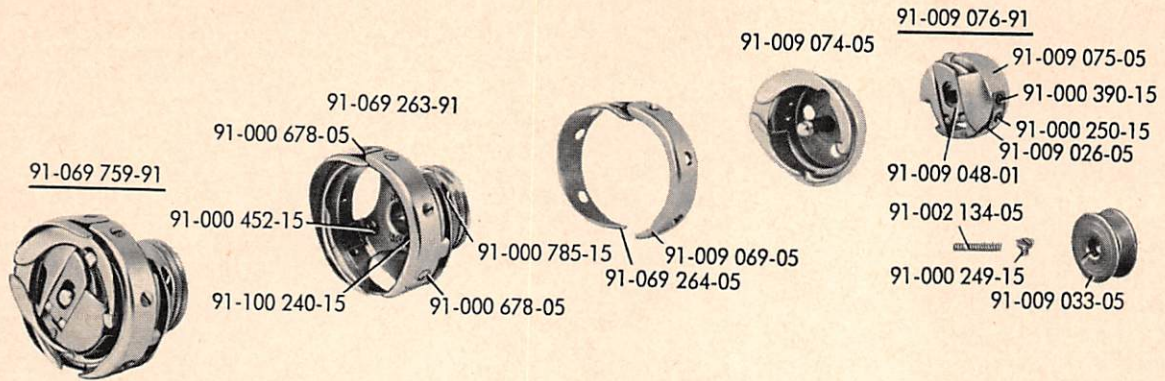
91-069 634-92	Top cover	91-101 756-05	Guide pin for No. 91-069 132-31
91-069 635-35	Thread guide	91-101 758-15	Stop pin for No. 91-069 135-05
91-069 643-04	Driving belt, w/ flat cleats, not for U. S., Canada, Great Britain and Belgium (Orders should specify number of marks: 1, 2 or 3)	91-105 442-15	Friction washer for No. 91-069 139-91
91-069 644-93	Driving belt sprocket, upper, w/ set screws No. 91-700 510-15 (Orders should specify number of marks: 1, 2 or 3)	<u>91-169 102-91</u>	Vibrating presser vibrating shaft (On Pfaff 465 doubling as needle bar frame shaft), w/ connection, complete, consisting of Nos. 11-330 085-15; 91-069 714-91; 91-069 717-04; 91-169 103-15; 91-169 104-04; 99-069 713-01
91-069 650-45 <sup>1)</sup>	Crank for No. 91-069 386-91	91-169 103-15	Vibrating presser vibrating shaft connection (Supplied only as an assembly incorporating needle bearing No. 99-069 713-01, fulcrum stud No. 91-069 717-04 and fulcrum stud No. 91-169 104-04)
91-069 651-12	Top feed regulating crank (On Pfaff 465 doubling as needle feed regulating crank), w/ No. 11-317 950-15 Set screw No. 91-700 691-15 Binding screw	91-169 104-04	Fulcrum stud for No. 91-169 103-15 (Orders should specify number of dots: 1, 2 or 3)
91-069 654-01	Bearing bushing for No. 91-069 650-45	91-169 136-12	Vibrating presser lifting shaft crank, w/ binding screw No. 11-130 224-15
91-069 657-05	Fulcrum stud for No. 91-069 651-12	91-169 171-15	Connecting rod for Nos. 91-069 417-05 (see p. III); 91-069 651-12
91-069 714-91	Vibrating presser vibrating shaft (On Pfaff 465 doubling as needle bar frame shaft), w/ No. 13-010 198-05 Positioning pin No. 91-069 716-15 Vibrating presser vibrating shaft crank (On Pfaff 465 doubling as needle bar frame shaft crank)	91-169 190-91	Vibrating presser lifting eccentric assembly, w/ No. 11-330 952-15 Lifting eccentric set screw No. 14-215 013-01 Needle bearing No. 91-069 468-15 Fulcrum stud No. 91-069 478-12 Set collar No. 91-169 136-12 Vibrating presser lifting shaft crank
91-069 717-04	Fulcrum stud for No. 91-169 103-15 (Orders should specify number of dots: 1, 2 or 3)	<u>91-169 302-91</u>	Knee lifter vertical shaft, complete, consisting of Nos. 13-033 322-15; 13-052 256-15; 91-069 046-05; 91-069 103-15; 91-169 304-15
91-069 718-05	Bearing bushing for No. 91-069 714-91	91-169 304-15	Collar (2nd version) for No. 91-069 103-15 (Cannot be replaced by collar No. 91-069 326-15)
91-069 719-05	Washer for No. 91-069 718-05	91-700 288-15	End screw for No. 91-069 472-91
91-069 721-12	Set collar, for No. 91-069 714-91, w/ set screws No. 11-317 950-15	91-700 335-15	Fastening screw for No. 91-069 633-91
91-069 723-12 <sup>1)</sup>	Vibrating presser vibrating shaft crank (On Pfaff 465 doubling as needle bar frame shaft crank), w/ binding screw No. 11-105 225-15	91-700 510-15	Fastening screw (M6 x 0.75; 7 mm long) for No. 91-069 644-93 Obsolete version = No. 11-317 278-15 fastening screw (M6; 6 mm long)
91-069 729-05 <sup>1)</sup>	Connecting link for Nos. 91-069 723-12; 91-069 771-15	91-700 691-15	Binding screw for No. 91-069 651-12
91-069 730-05	Washer for Nos. 91-069 732-15; 91-069 771-15	91-701 362-15	Fastening screw for Nos. 91-069 426-92; 91-069 770-04
91-069 732-15 <sup>1)</sup>	Driving eccentric connection (On Pfaff 465 doubling as needle feed driving connection)	91-701 370-15	Hinge screw for No. 91-069 139-91
91-069 733-12	Top feed driving eccentric (On Pfaff 465 doubling as needle vibrator eccentric), w/ set screw No. 11-314 280-15	91-701 378-15	Fastening screw for Nos. 91-069 431-11; 91-069 745-92
91-069 735-05	Bearing bushing for No. 91-069 650-45	93-513 523-05 <sup>2)</sup>	Rivet for No. 91-069 419-15
91-069 745-92	Balance wheel, w/ No. 11-314 280-15 Set screw No. 91-701 378-15 Set screw	99-069 713-01 <sup>1)</sup>	Needle bearing for Nos. 91-069 729-05; 91-069 732-15; 91-069 771-15
91-069 770-04 <sup>1)</sup>	Fulcrum stud for Nos. 91-069 729-05; 91-069 732-15	99-069 713-01	Needle bearing for No. 91-169 103-15 (Supplied only as an assembly incorporation connection No. 91-169 103-15, fulcrum stud No. 91-169 104-04 and fulcrum stud No. 91-069 717-04)
91-069 771-15 <sup>1)</sup>	Top feed rocker arm	99-069 722-01	Needle bearing for No. 91-069 714-91
91-069 785-01	Oil reservoir	91-169 120-45	Arm (not ill.)
91-100 055-15	Fastening screw for No. 91-069 150-45		

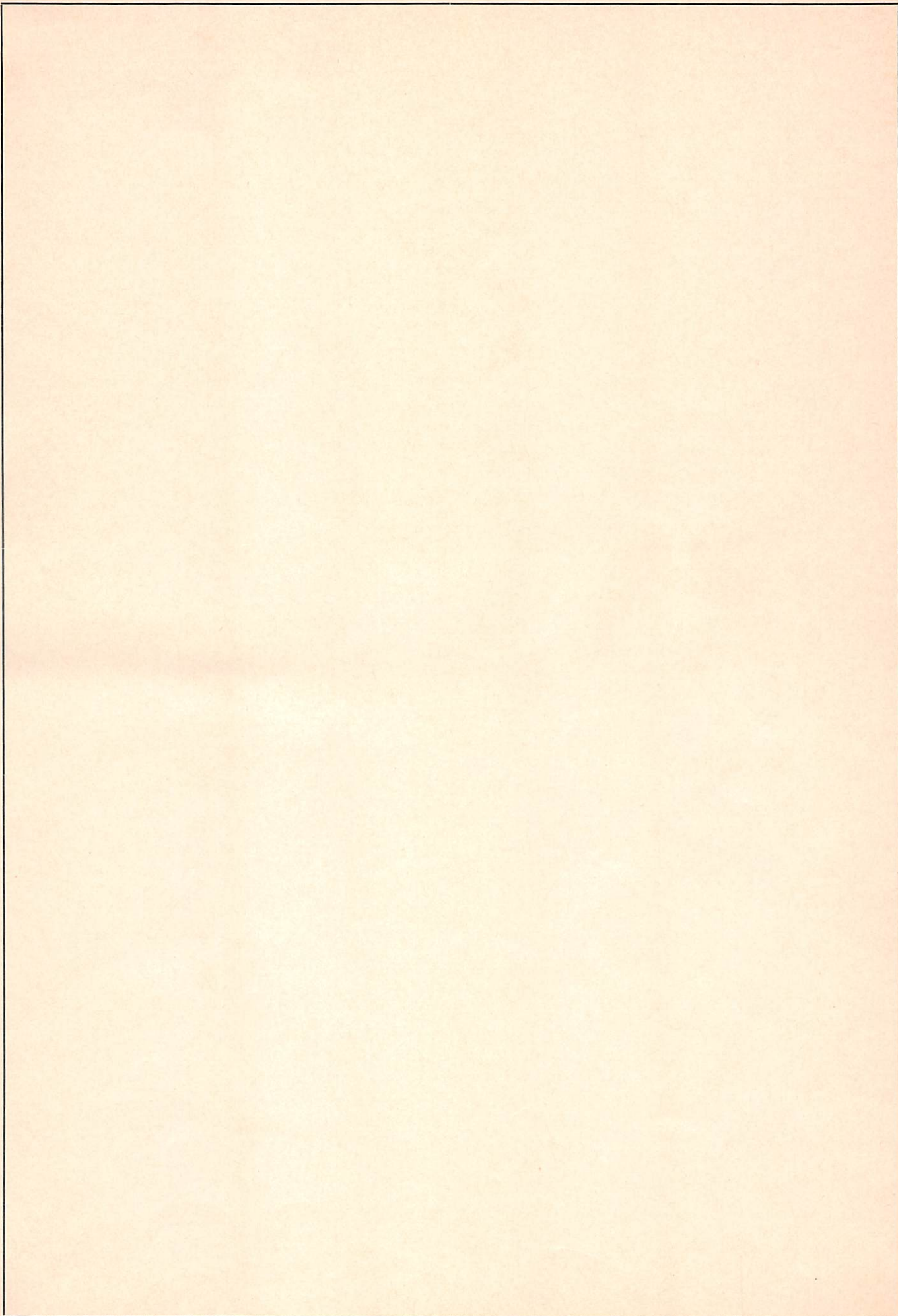


## Bed Plate Parts









<b>11-105 171-15</b> (100 002)	Fastening screw for No. 91-069 964-15	<b>14-650 214-05</b> (69 082)	Ball for No. 91-069 232-01
<b>11-105 174-15</b> (701 099)	Binding screw for No. 91-069 554-92	<b>14-650 275-05</b> (69 844)	Ball for No. 91-069 254-05
<b>11-105 177-15</b> (701 363)	Binding screw for Nos. 91-069 243-12; 91-069 244-91; 91-069 547-11 and fastening screw for Nos. 91-069 301-15; 91-169 059-15	<b>15-120 112-05</b> (69 803)	Sealer ring for Nos. 14-650 275-05; 91-069 272-15
<b>11-105 225-15<sup>3)</sup></b> (701 365)	Binding screw for No. 91-069 417-05	<b>15-128 010-75</b> (69 248)	Gasket for No. 91-069 259-05
<b>11-105 225-15</b> (701 365)	Binding screw for Nos. 91-069 284-91; 91-069 296-12; 91-069 420-12; 91-069 547-11 and fastening screw for No. 91-069 097-05	<b>15-128 060-75</b> (69 249)	Gasket for No. 91-069 252-05
<b>11-220 172-15<sup>3)</sup></b> (701 357)	End screw for No. 91-169 132-15	<b>15-718 060-51</b> (69 317)	Ball bearing sealer for No. 91-069 283-05
<b>11-314 220-15</b> (701 359)	Fastening screw for Nos. 91-069 205-12; 91-069 215-13; 91-069 385-13	<b>91-000 173-35</b>	Fastening screw for Nos. 91-048 076-04; 91-048 517-04
<b>11-314 280-15</b> (700 150)	Fastening screw for Nos. 91-069 235-01; 91-069 251-15; 91-069 305-90; 91-069 316-91	<b>91-000 249-15</b>	Stop screw for No. 91-009 048-01
<b>11-317 278-15</b> (701 371)	Fastening screw for No. 91-069 241-05	<b>91-000 250-15</b>	Regulating screw for No. 91-009 026-05
<b>11-330 952-15</b> (100 091)	Fastening screw for Nos. 91-069 222-12; 91-069 294-12; 91-069 554-92	<b>91-000 390-15</b>	Fastening screw for No. 91-009 026-05
<b>11-341 277-15</b> (100 138)	Fastening screw for No. 91-069 233-91	<b>91-000 407-15</b>	Fastening screw for Nos. 91-026 095-04; 91-047 373-04
<b>12-024 171-15</b> (101 501)	Nut for No. 91-069 284-91	<b>91-000 452-15</b>	Fastening screw, 5.7 mm long, for No. 91-069 263-91
<b>12-024 191-45<sup>3)</sup></b> (701 635)	Nut for No. 91-169 172-05	<b>91-000 678-05</b>	Fastening screw for Nos. 91-009 069-05; 91-069 264-05
<b>12-305 171-15<sup>3)</sup></b> (50 740)	Washer for No. 12-024 191-45	<b>91-000 785-15</b>	Fastening screw for No. 91-069 263-91
<b>12-510 110-45</b> (80 145)	External-teeth lock washer for No. 91-701 360-15	<b>91-002 134-05</b>	Pressure spring for No. 91-009 048-01
<b>12-510 171-45<sup>3)</sup></b> (69 402)	External-teeth lock washer for No. 12-024 191-45	<b>91-004 181-05</b>	Bed slide spring for No. 91-069 290-91
<b>12-610 150-45<sup>3)</sup></b> (69 433)	Circlip for Nos. 91-100 092-15; 91-701 368-15	<b>91-009 026-05</b>	Tension spring for No. 91-009 076-91
<b>12-610 220-45</b> (28 620)	Circlip for No. 91-069 253-05	<b>91-009 033-05</b>	Bobbin
<b>12-624 310-45<sup>3)</sup></b> (69 376)	Circlip for No. 91-169 175-04	<b>91-009 048-01</b>	Bobbin case latch slide
<b>12-624 310-45</b> (69 376)	Circlip for No. 91-069 277-04	<b>91-009 069-05</b>	Hook gib
<b>12-627 380-45</b> (69 207)	Circlip for No. 91-069 205-12	<b>91-009 074-05</b>	Bobbin case base
<b>12-640 150-55<sup>3)</sup></b> (20 565)	Slip washer for Nos. 91-069 420-12; 91-169 177-01	<b>91-009 075-05</b>	Bobbin case cap
<b>12-660 420-45</b> (69 230)	Circlip for No. 91-069 225-05	<b>91-009 076-91</b>	Bobbin case cap, complete, consisting of Nos. 91-000 249-15; 91-000 250-15; 91-000 390-15; 91-002 134-05; 91-009 026-05; 91-009 048-01; 91-009 075-05
<b>13-050 154-05</b> (101 752)	Positioning pin for Nos. 91-069 223-05; 91-069 226-05	<b>91-026 095-04</b>	Feed dog, sawtooth cut (Subcl. -6/1)
<b>14-010 660-01</b> (69 209)	Ball bearing for Nos. 91-069 205-12; 91-069 208-15	<b>91-047 373-04</b>	Feed dog, sawtooth cut (Subcl. -6/2)
<b>14-016 130-01</b> (69 649)	Ball bearing for No. 91-069 646-04	<b>91-048 076-04</b>	Needle plate for No. 91-047 373-04 (Subcl. -6/2)
<b>14-018 572-01</b> (69 229)	Ball bearing for No. 91-069 233-91	<b>91-048 517-04</b>	Needle plate for No. 91-026 095-04 (Subcl. -6/1)
<b>14-218 190-01</b> (69 216)	Needle bearing for No. 91-069 217-05 (For replacement purposes order No. 91-069 236-91 complete) Needle bearing for No. 91-069 342-05 (For replacement purposes order No. 91-069 758-91 complete)	<b>91-069 062-45</b>	Plug (plastic), 4 mm dia., for No. 91-069 240-05
		<b>91-069 083-05</b>	Oil wick, 30 mm long, for No. 91-069 253-05
		<b>91-069 097-05</b>	Bobbin case position finger
		<b>91-069 205-12</b>	Feed driving eccentric, w/ set screws No. 11-314 220-15
		<b>91-069 208-15<sup>1)</sup></b>	Feed driving eccentric crank
		<b>91-069 215-13</b>	Bobbin case lever eccentric for No. 91-069 236-91, w/ set screws No. 11-314 220-15 (For replacement purposes order No. 91-069 236-91 complete)

<sup>1)</sup> Will be exchanged for a replacement assembly. For repair, return feed driving mechanism No. 91-069 238-91, complete.

<sup>3)</sup> Omitted on Pfaff 465

<b>91-069 217-05</b>	Bobbin case lever eccentric crank for No. 91-069 236-91 (For replacement purposes, order No. 91-069 236-91, complete)	<b>91-069 260-91</b>	Bobbin case opener driving mechanism, complete, consisting of Nos. 12-510 110-45; 91-069 236-91 complete; 91-069 244-91; 91-701 360-15
<b>91-069 220-05</b>	Hook shaft for No. 91-069 232-01 (For replacement purposes order No. 91-069 232-01, complete)	<b>91-069 263-91</b>	Hook, w/ No. 91-000 452-15 Set screw No. 91-000 678-05 Set screw for Nos. 91-009 069-05; 91-069 264-05 No. 91-000 785-15 Set screw No. 91-009 069-05 Hook gib No. 91-069 264-05 Thread pull-off flange No. 91-100 240-15 Set screw
<b>91-069 222-12</b>	Set collar for No. 91-069 220-05, w/ set screws No. 11-330 952-15	<b>91-069 264-05</b>	Thread pull-off flange
<b>91-069 223-05</b>	Centrifugal switch, fixed section, for No. 91-069 220-05	<b>91-069 270-05</b>	Oil flow regulating spindle for No. 91-069 318-91
<b>91-069 224-05</b>	Thrust pin for Nos. 91-069 232-01; 91-069 257-05	<b>91-069 272-15</b>	Thrust screw for Nos. 91-069 270-05; 91-069 319-91
<b>91-069 225-05</b>	Hook shaft bushing for No. 91-069 233-91	<b>91-069 275-05</b>	Torsion spring for No. 91-069 277-04
<b>91-069 226-05</b>	Centrifugal switch, sliding section, for No. 91-069 220-05	<b>91-069 276-12</b>	Set collar for Nos. 91-069 275-05; 91-069 277-04, w/ set screws No. 91-700 785-15
<b>91-069 232-01</b>	Hook shaft, w/ centrifugal switch, complete, consisting of Nos. 13-050 154-05; 14-650 214-05; 91-069 220-05; 91-069 223-05; 91-069 226-05	<b>91-069 277-04<sup>2)</sup></b>	Drop feed regulating shaft
<b>91-069 233-91</b>	Hook shaft bushing, complete, consisting of Nos. 12-660 420-45; 14-018 572-01; 91-069 222-12; 91-069 225-05; 91-069 232-01, complete	<b>91-069 283-05</b>	Feed rock shaft for No. 91-069 316-91
<b>91-069 235-01</b>	Bearing bushing, w/ needle bearing (Orders should specify number of dots on driving shaft No. 91-069 645-04)	<b>91-069 284-91<sup>1)</sup></b>	Feed rock shaft crank, rear, w/ No. 11-105 225-15 Binding screw No. 12-024 171-15 Nut
<b>91-069 236-91</b>	Bobbin case lever driving connection, complete, consisting of Nos. 14-218 190-01; 91-069 215-13; 91-069 217-05	<b>91-069 287-05</b>	Hinge stud for Nos. 91-069 294-12; 91-069 296-12
<b>91-069 238-91</b>	Feed driving mechanism, complete, (replacement assembly) consisting of Nos. 12-627 380-45; 14-010 660-01; 91-069 205-12; 91-069 208-15; 91-069 284-91; 91-069 313-05; 91-069 314-15; 91-069 547-11	<b>91-069 289-05</b>	Hinge stud for Nos. 91-069 294-12; 91-069 554-92
<b>91-069 239-12</b>	Set collar for No. 91-069 240-05, w/ set screws No. 91-701 362-15	<b>91-069 290-91</b>	Bed slide, complete, consisting of Nos. 91-004 181-05; 91-069 291-35; 91-100 076-15
<b>91-069 240-05</b>	Bobbin case lever shaft	<b>91-069 291-35</b>	Bed slide
<b>91-069 241-05</b>	Bobbin case lever shaft bushing	<b>91-069 292-45</b>	Plug, (plastic), 17 mm dia., for bedplate
<b>91-069 243-12</b>	Bobbin case lever, w/ binding screw No. 11-105 177-15	<b>91-069 293-05</b>	Feed rock shaft bushing for No. 91-069 283-05
<b>91-069 244-91</b>	Bobbin case lever shaft crank, w/ ball bearing and binding screw No. 11-105 177-15	<b>91-069 294-12</b>	Feed bar, w/ set screw No. 11-330 952-15
<b>91-069 246-05</b>	Oil tube, 180 mm long, for Nos. 91-069 250-91; 91-069 318-91	<b>91-069 296-12</b>	Feed rock shaft crank, front, w/ binding screw No. 11-105 225-15
<b>91-069 250-91</b>	Oil shut-off valve, complete, consisting of Nos. 14-650 275-05; 15-120 112-05; 15-128 010-75; 15-128 060-75; 91-069 251-15; 91-069 252-05; 91-069 254-05; 91-069 257-05; 91-069 259-05	<b>91-069 297-91</b>	Feed lifting mechanism, complete, consisting of Nos. 91-069 287-05; 91-069 289-05; 91-069 294-12; 91-069 296-12; 91-069 554-92; 91-069 758-91, complete
<b>91-069 251-15</b>	Valve housing for No. 91-069 250-91	<b>91-069 299-05</b>	Oil pad (foam-plastic)
<b>91-069 252-05</b>	Nipple for Nos. 91-069 251-15; 91-069 253-05	<b>91-069 300-45</b>	Gasket (cork) for No. 91-069 301-15
<b>91-069 253-05</b>	Oil tube, 265 mm long, for Nos. 91-069 250-91; 91-069 785-01 (see p. II)	<b>91-069 301-15</b>	Oil reservoir cover
<b>91-069 254-05</b>	Pressure spring for No. 14-650 275-05	<b>91-069 302-05</b>	Oil pad (foam-plastic)
<b>91-069 257-05</b>	Valve stem for No. 14-650 275-05	<b>91-069 305-90</b>	Spur gear assembly, w/ No. 11-314 280-15 Set screw for large spur gear No. 91-701 372-15 Set screw for small spur gear
<b>91-069 259-05</b>	Nipple for Nos. 91-069 246-05; 91-069 251-15	<b>91-069 313-05<sup>1)</sup></b>	Hinge stud for Nos. 91-069 208-15; 91-069 314-15; 91-069 547-11
		<b>91-069 314-15<sup>1)</sup></b>	Connecting crank for No. 91-069 284-91
		<b>91-069 316-91</b>	Feed rock shaft, complete, consisting of Nos. 15-718 060-51; 91-069 283-05; 91-069 293-05

<sup>1)</sup> Will be exchanged for a replacement assembly. For repair, return feed driving mechanism No. 91-069 238-91, complete.

<sup>2)</sup> Orders should specify number of dots on part.

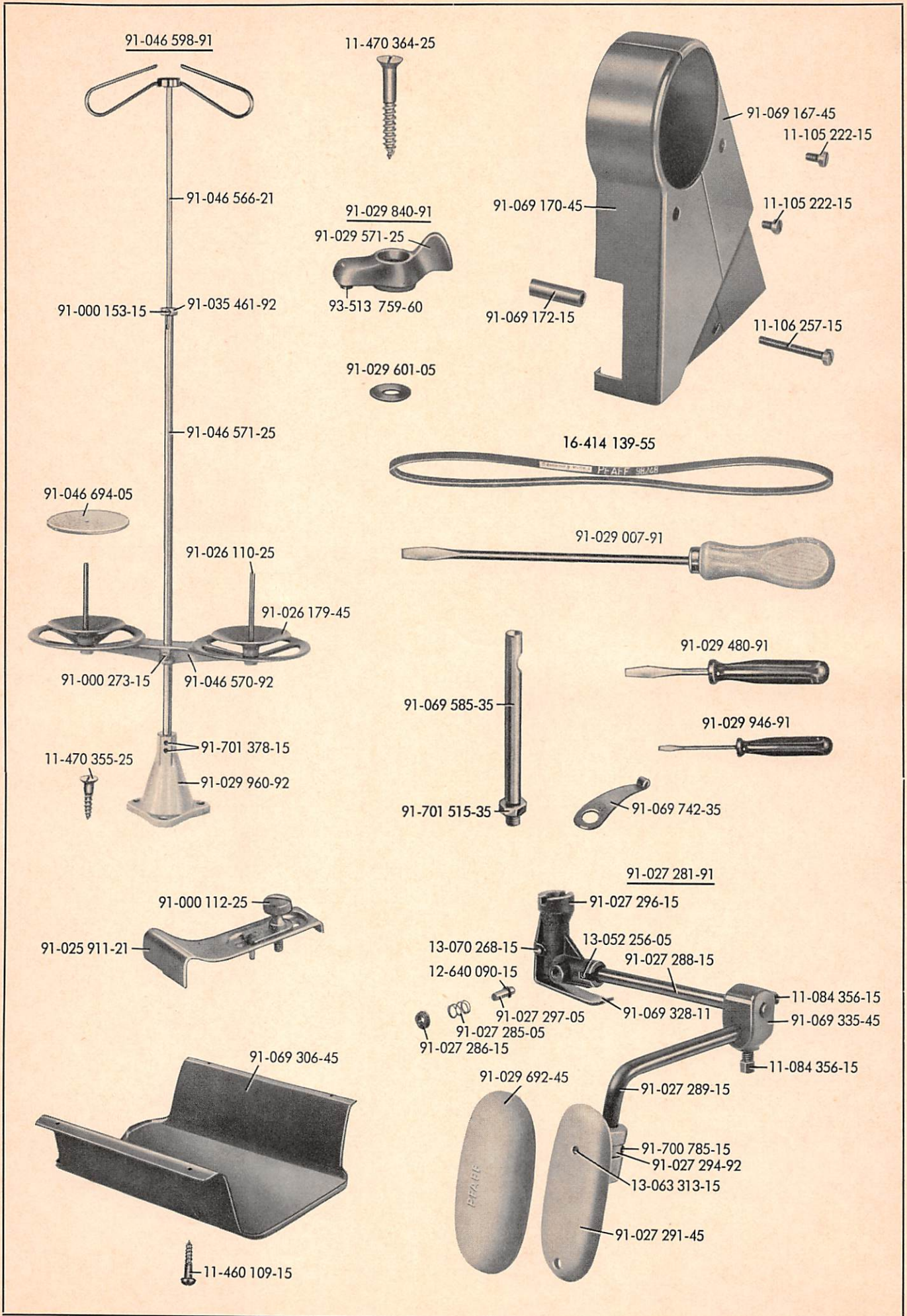
<u>91-069 318-91</u>	Oil flow regulator block, complete, consisting of Nos. 15-120 112-05; 91-069 270-05; 91-069 272-15; 91-069 319-91	<u>91-069 800-05</u>	Oil retainer for Nos. 91-069 233-91; 91-069 759-91
<u>91-069 319-91</u>	Oil flow regulator block for No. 91-069 318-91, w/ set screw No. 91-701 362-15	<u>91-069 964-15</u>	Clip for No. 91-069 253-05
<u>91-069 342-05</u>	Feed lifting eccentric crank for No. 91-069 758-91 (For replacement purposes, order No. 91-069 758-91, complete)	<u>91-100 076-15</u>	Fastening screw for No. 91-004 181-05
<u>91-069 365-12<sup>2)</sup></u>	Set collar for Nos. 91-069 366-05; 91-169 175-04, w/ set screws No. 91-700 785-15	<u>91-100 092-15<sup>3)</sup></u>	Top feed regulating screw (concave surface)
<u>91-069 366-05<sup>3)</sup></u>	Torsion spring for No. 91-169 176-91	<u>91-100 240-15</u>	Fastening screw, 4 mm long, for No. 91-069 263-91
<u>91-069 375-15<sup>3)</sup></u>	Connecting link for Nos. 91-069 420-12; 91-169 177-01	<u>91-100 242-15</u>	Fastening screw, pointed (M6 x 0.75; 8 mm long) for No. 91-069 647-12 Obsolete version = No. 91-701 378-15 Fastening screw (M6; 8 mm long)
<u>91-069 385-13</u>	Feed lifting eccentric for No. 91-069 758-91, w/ set screws No. 11-314 220-15 (For replacement purposes order No. 91-069 758-91, complete)	<u>91-169 058-15</u>	Bedplate leg
<u>91-069 416-05<sup>3)</sup></u>	Retaining spring for Nos. 91-100 092-15; 91-701 368-15	<u>91-169 059-15</u>	Bedplate support
<u>91-069 417-05<sup>3)</sup></u>	Differential feed regulating crank, for top feed	<u>91-169 132-15<sup>3)</sup></u>	Washer for No. 91-169 171-15 (see p. II)
<u>91-069 420-12</u>	Drop feed regulating shaft crank, rear, w/ binding screw No. 11-105 225-15	<u>91-169 172-05<sup>3)</sup></u>	Fulcrum stud for Nos. 91-069 417-05; 91-169 171-15 (see p. II)
<u>91-069 547-11</u>	Drop feed regulating shaft crank, assembly, w/ No. 11-105 177-15 Binding screw No. 11-105 225-15 Binding screw	<u>91-169 175-04<sup>2)3)</sup></u>	Top feed regulating shaft
<u>91-069 553-05</u>	Bearing bushing, front, for Nos. 91-069 277-04; 91-169 175-04	<u>91-169 176-91<sup>3)</sup></u>	Differential top feed regulator, complete, consisting of Nos. 11-105 225-15; 12-024 191-45; 12-305 171-15; 12-510 171-45; 12-610 150-45; 91-069 416-05; 91-069 417-05; 91-100 092-15; 91-169 172-05; 91-169 177-01; 91-701 368-15
<u>91-069 554-92</u>	Feed lifting crank joint for No. 91-069 289-05, w/ No. 11-105 174-15 Binding screw No. 11-330 952-15 Set screw	<u>91-169 177-01<sup>3)</sup></u>	Regulating screw bracket
<u>91-069 555-05</u>	Oil wick, 65 mm long, for Nos. 91-069 287-05; 91-069 289-05	<u>91-700 510-15</u>	Fastening screw, blunt (M6 x 0.75; 7 mm long) for No. 91-069 647-12 Obsolete version = No. 11-317 281-15 Fastening screw (M6; 8 mm long)
<u>91-069 642-05</u>	Friction washer for No. 91-069 646-04	<u>91-700 785-15</u>	Fastening screw for Nos. 91-069 276-12; 91-069 365-12
<u>91-069 645-04<sup>2)</sup></u>	Driving shaft	<u>91-701 360-15</u>	Hinge screw for No. 91-069 244-91
<u>91-069 646-04</u>	Driving belt sprocket, lower, for No. 91-069 648-93 (Orders should specify number of dots: 1, 2 or 3)	<u>91-701 362-15</u>	Fastening screw for Nos. 91-069 239-12; 91-069 318-91; 91-069 319-91
<u>91-069 647-12</u>	Set collar No. 91-069 646-04, w/ No. 91-100 242-15 Set screw, pointed No. 91-700 510-15 Set screw, blunt	<u>91-701 368-15<sup>3)</sup></u>	Top feed stroke limiting screw (convex surface)
<u>91-069 648-93</u>	Driving belt sprocket, lower, complete, consisting of Nos. 14-016 130-01; 91-069 642-05; 91-069 646-04; 91-069 647-12 (Orders should specify number of dots: 1, 2 or 3)	<u>91-701 372-15</u>	Fastening screw for No. 91-069 305-90
<u>91-069 758-91</u>	Feed lifting eccentric crank, complete, consisting of Nos. 14-218 190-01; 91-069 342-05; 91-069 385-13	<u>91-069 201-45</u>	Bedplate (not ill.)
<u>91-069 759-91</u>	Hook, w/ bobbin case, complete, consisting of Nos. 91-009 074-05; 91-009 076-91 complete; 91-069 263-91	<u>11-130 566-15</u> (701 380)	Fastening screw, 77 mm long, for No. 91-069 201-45 (not ill.)
<u>91-069 768-05</u>	Bearing bushing, rear, for Nos. 91-069 277-04; 91-169 175-04	<u>11-133 538-15</u> (100 081)	Fastening screw, 33 mm long, for No. 91-069 201-45 (not ill.)
		<u>11-133 544-15</u> (100 179)	Fastening screw, 38 mm long, for No. 91-069 201-45 (not ill.)
		<u>13-060 400-05</u> (101 824)	Positioning pin for No. 91-069 201-45 (not ill.)

<sup>2)</sup> Orders should specify number of dots on part.

) Omitted on Pfaff 465.



**Supplementary Parts**



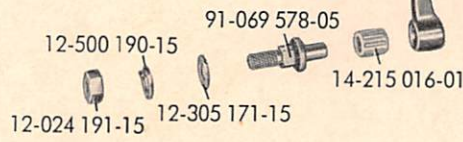
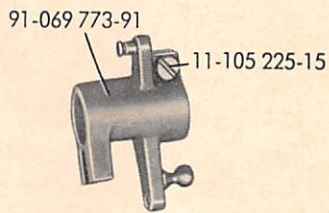
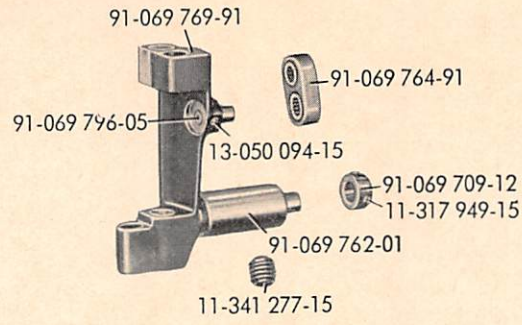


<b>11-084 356-15</b> (100 014)	Fastening screw for Nos. 91-027 288-15; 91-027 289-15; 91-069 335-45	<b>91-027 297-05</b>	Pin, spring-loaded, for No. 91-027 288-15
<b>11-105 222-15</b> (701 385)	Fastening screw for Nos. 91-069 167-45; 91-069 170-45	<b>91-029 007-91</b>	Screwdriver
<b>11-106 257-15</b>	Fastening screw for Nos. 91-069 167-45; 91-069 170-45	<b>91-029 480-91</b>	Screwdriver
<b>11-460 109-15</b> (1 435)	Wood screw for No. 91-069 306-45	<b>91-029 571-25</b>	Catch
<b>11-470 355-25</b> (1 417)	Wood screw for No. 91-046 598-91	<b>91-029 601-05</b>	Washer for No. 91-029 840-91
<b>11-470 364-25</b> (1 426)	Wood screw for No. 91-029 840-91	<b>91-029 692-45</b>	Rubber pad cover for No. 91-027 291-45
<b>12-640 090-15</b> (53 155)	Slip washer for No. 91-027 297-05	<b>91-029 840-91</b>	Catch, complete, consisting of Nos. 91-029 571-25; 93-513 759-60
<b>13-052 256-05</b> (101 784)	Guide pin for No. 91-027 296-15	<b>91-029 946-91</b>	Screwdriver
<b>13-063 313-15</b> (101 753)	Stop pin for No. 91-027 291-45	<b>91-029 960-92</b>	Thread unwinder base, w/ set screws No. 91-701 378-15
<b>13-070 268-15</b> (101 759)	Hinge pin for No. 91-069 328-11	<b>91-035 461-92</b>	Set collar, w/ set screw No. 91-000 153-15
<b>16-414 139-55</b> (98 248)	V-belt	<b>91-046 566-21</b>	Thread guide
<b>91-000 112-25</b>	Fastening screw for No. 91-025 911-21	<b>91-046 570-92</b>	Spool holder base, w/ set screw No. 91-000 273-15
<b>91-000 153-15</b>	Fastening screw for No. 91-035 461-92	<b>91-046 571-25</b>	Spool rest rod
<b>91-000 273-15</b>	Fastening screw for No. 91-046 570-92	<b>91-046 598-91</b>	Thread unwinder, complete, consisting of Nos. 91-026 110-25; 91-026 179-45; 91-029 960-92; 91-035 461-92; 91-046 566-21; 91-046 570-92; 91-046 571-25; 91-046 694-05
<b>91-025 911-21</b>	Edge guide	<b>91-046 694-05</b>	Spool pin washer (foam rubber)
<b>91-026 110-25</b>	Spool pin	<b>91-069 167-45</b>	Belt guard, rear section
<b>91-026 179-45</b>	Spool disc	<b>91-069 170-45</b>	Belt guard, front section
<b>91-027 281-91</b>	Knee lifter, complete, consisting of Nos. 11-084 356-15; 12-640 090-15; 13-052 256-05; 13-063 313-15; 13-070 268-15; 91-027 285-05; 91-027 286-15; 91-027 288-15; 91-027 289-15; 91-027 291-45; 91-027 294-92; 91-027 296-15; 91-027 297-05; 91-069 328-11; 91-069 335-45	<b>91-069 172-15</b>	Bearing bushing for Nos. 11-106 257-15; 91-069 167-45; 91-069 170-45
<b>91-027 285-05</b>	Pressure spring for No. 91-027 297-05	<b>91-069 306-45</b>	Oil drip pan
<b>91-027 286-15</b>	Set screw for No. 91-027 297-05	<b>91-069 328-11</b>	Locking bracket
<b>91-027 288-15</b>	Knee lifter rock shaft	<b>91-069 335-45</b>	Knee plate arm bracket
<b>91-027 289-15</b>	Knee plate arm	<b>91-069 585-35</b>	Thread guide
<b>91-027 291-45</b>	Knee plate	<b>91-069 742-35</b>	Thread guide
<b>91-027 294-92</b>	Set collar, w/ set screw No. 91-700 785-15	<b>91-700 785-15</b>	Fastening screw for No. 91-027 294-92
<b>91-027 296-15</b>	Knee lever vertical shaft socket	<b>91-701 378-15</b>	Fastening screw for No. 91-029 960-92
		<b>91-701 515-35</b>	Nut for No. 91-069 585-35
		<b>93-513 759-60</b>	Leather for No. 91-029 840-91



**V**

**Accessory Parts  
PFAFF 465-6**



91-054 371-91



91-049 095-45



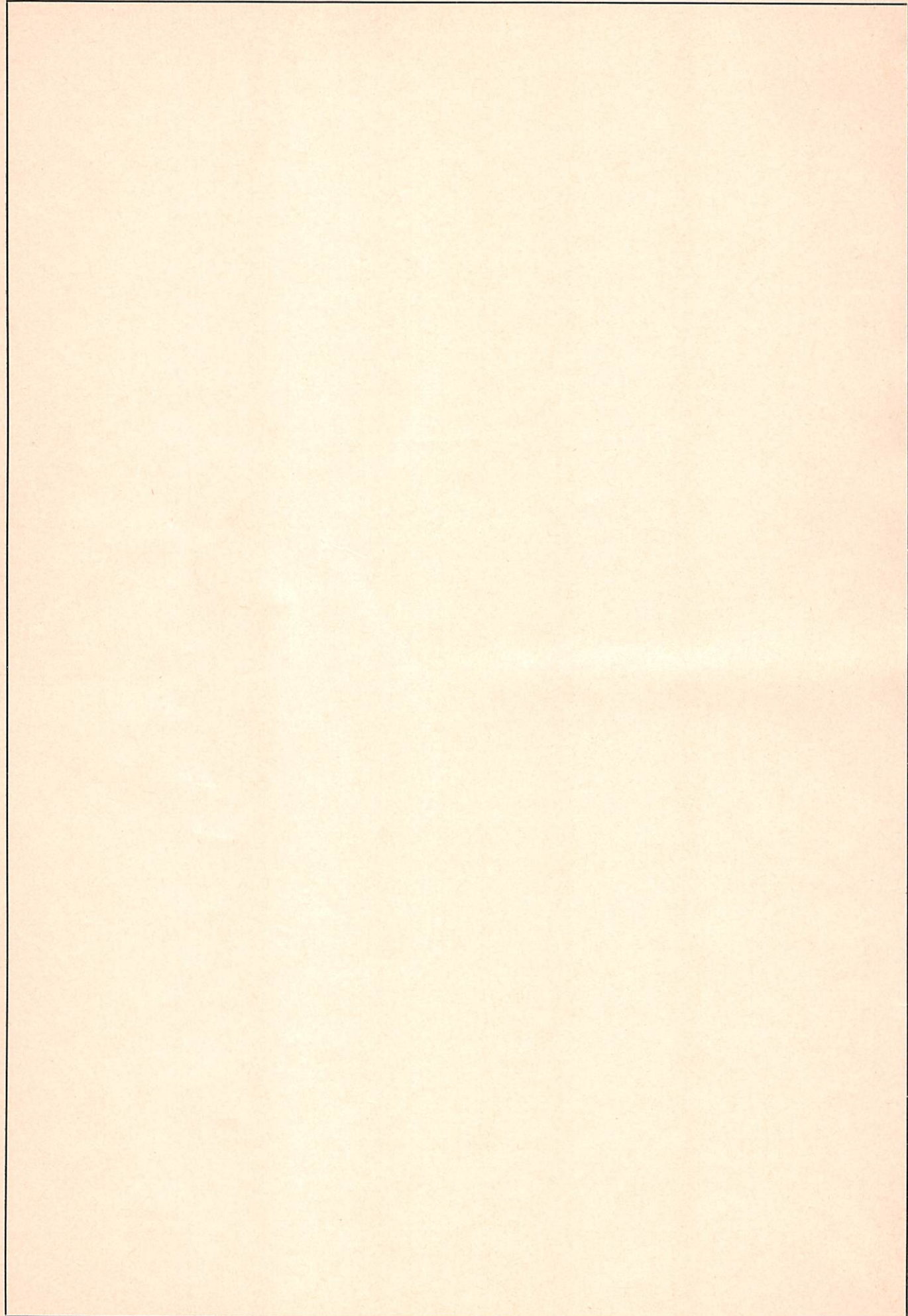
91-047 412-04

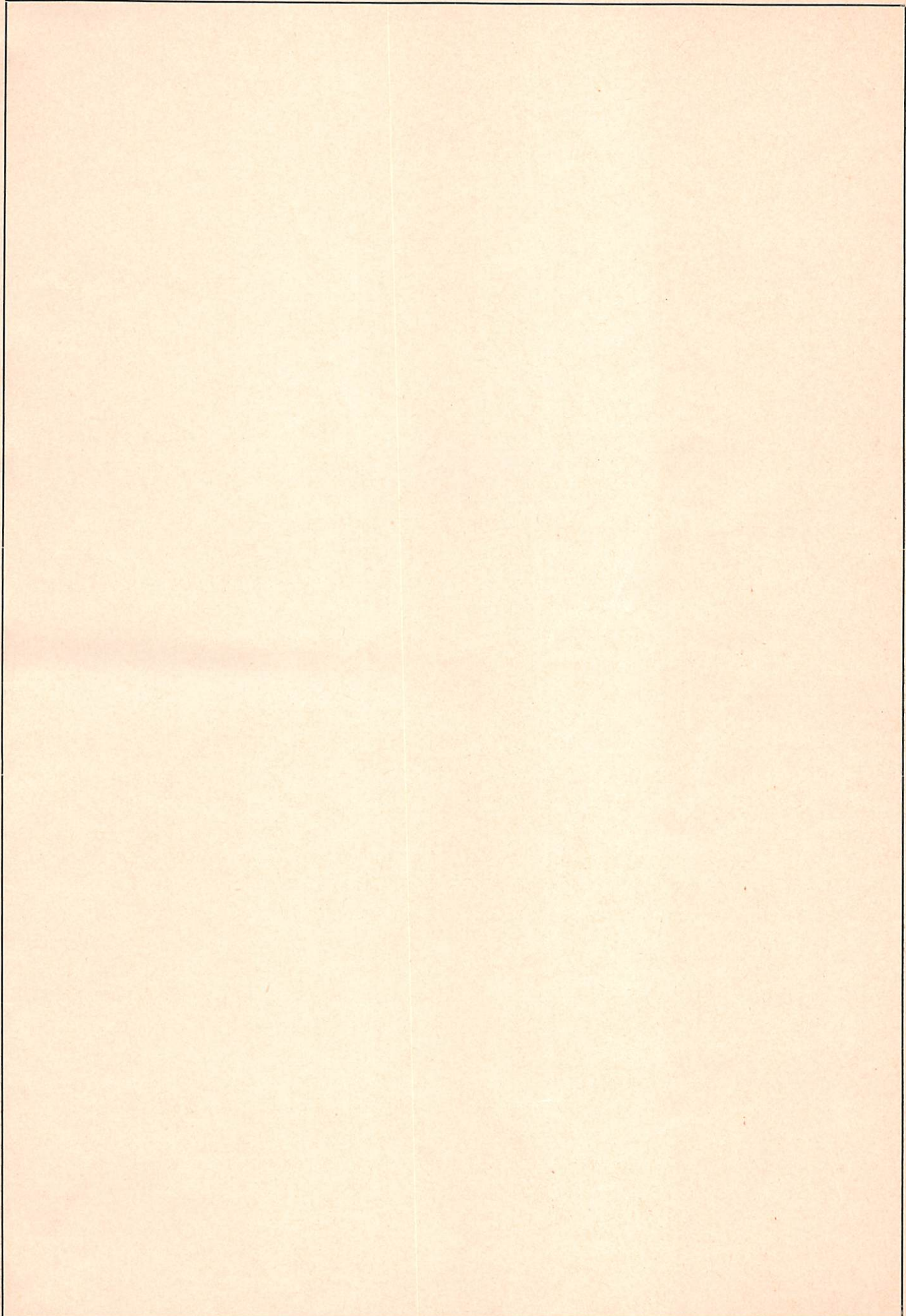


91-048 912-05



<b>11-105 225-15</b> (701 365)	Binding screw for No. 91-069 773-91
<b>11-317 949-15</b> (100 027)	Fastening screw for No. 91-069 709-12
<b>11-341 277-15</b> (100 138)	Fastening screw for No. 91-069 762-01
<b>12-024 191-15</b> (701 635)	Nut for No. 91-069 578-05
<b>12-305 171-15</b> (50 740)	Washer for No. 12-024 191-15
<b>12-500 190-15</b> (9 150)	Circlip for No. 12-024 191-15
<b>13-050 094-15</b> (1 934)	Positioning pin for No. 91-069 796-05
<b>14-215 016-01</b> (69 545)	Needle bearing for No. 91-069 738-15
<b>91-000 630-15</b>	Hinge screw for No. 91-054 371-91
<b>91-047 412-04</b>	Feed dog for No. 91-048 912-05 (Orders should specify type desired)
<b>91-048 912-05</b>	Needle plate
<b>91-049 095-45</b>	Vibrating presser foot
<b>91-054 371-91</b>	Lifting presser foot, w/ hinge screws No. 91-000 630-15
<b>91-069 118-45</b>	Plug (plastic), 19.5 mm dia. for bedplate
<b>91-069 119-05</b>	Bearing bushing for No. 91-069 120-31 (see p. II)
<b>91-069 578-05</b>	Fulcrum stud for Nos. 91-069 738-15; 91-069 773-91
<b>91-069 709-12</b>	Set collar, w/ set screws No. 11-317 949-15
<b>91-069 738-15</b>	Needle bar frame shaft connection for Nos. 91-069 651-12 (see p. II); 91-069 773-91
<b>91-069 762-01</b>	Needle bearing for No. 91-069 769-91 (Orders should specify number of dots on needle bar frame fulcrum stud 1, 2, 3 or 4)
<b>91-069 764-91</b>	Connecting link, w/ needle bearing, for Nos. 91-069 714-91 (see p. II); 91-069 769-91 (Supplied together with fulcrum stud No. 91-069 717-04, only; see p. II)
<b>91-069 769-91</b>	Needle bar frame, w/ No. 13-050 094-15 Positioning pin No. 91-069 762-01 Needle bearing No. 91-069 796-05 Fulcrum stud
<b>91-069 773-91</b>	Feed regulating shaft crank, rear, w/ binding screw No. 11-105 225-15
<b>91-069 796-05</b>	Fulcrum stud, w/o borehole for positioning pin No. 91-069 769-91 (If replacement is required, return needle bar frame)
<b>91-169 123-05</b>	Oil pad (foam plastic) for No. 99-169 143-01 (see p. I)
<b><u>91-169 281-91</u></b>	Vibrating presser vibrating mechanism, w/ presser bar assembly, complete, consisting of same components as No. 91-169 142-91 (see p. I), but incorporating vibrating presser foot No. 91-049 095-45 and lifting presser foot No. 91-054 371-91 (not ill.)





**PFAFF**®



<b>PFAFF</b> 467	<b>Part Number Change</b>		Section I/1
To be filed with page: 9	Change No.: 1-25328 1-25843	Date: May 6, 66	
Old Parts		New Parts	
		<u>91-169 290-91</u> Bobbin winder tension, complete, consisting of Nos. 91-004 006-05; 91-069 469-35; 91-069 470-35; 91-069 471-35; 91-169 029-05  91-169 029-05 Retaining ring for No. 91-069 471-35	
<b>Remarks:</b> The bobbin winder tension has been assigned an assembly number. For instructions on how to install retaining ring No. 91-169 029-05, please refer to TVB Bulletin No. 495 under Tab Title "Parts".			

From the library of: Superior Sewing Machine & Supply LLC



# Part Number Change

Section V/1  
465

To be filed with page: 29

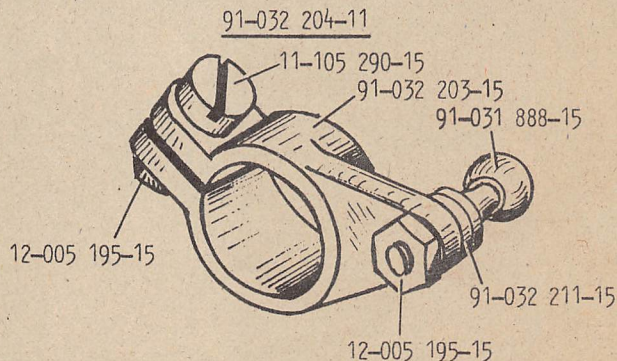
Change No.: 1-25 060

Date: Jul. 13, 1967

Old Parts

New Parts

91-032 204-11 Feed reversing crank, complete,  
consisting of Nos. 11-105 290-15;  
12-005 195-15; 91-031 888-15;  
91-032 203-15; 91-032 211-15



Remarks: The feed reversing crank is pushed on feed regulating shaft No. 91-069 277-04 so that it is positioned on the left of the crank.



# Part Number Change

Section 11/1  
467

To be filed with page: 13

Change No.: 1-26 678

Date: Jun. 23, 1967

## Old Parts

91-069 160-04 Driving belt, w/ flat cleats, for U.S., Canada, Great Britain and Belgium only.  
(Orders should specify number of dots: 1, 2 or 3)

91-069 643-04 Driving belt, w/ flat cleats, for all countries except the U.S., Canada, Great Britain and Belgium.  
(Orders should specify number of dots: 1, 2 or 3)

## New Parts

91-069 160-04 Driving belt, w/ flat cleats  
(Orders should specify number of dots: 1, 2 or 3)

Remarks: Please cross out No. 91-069 643-04 and the addendum "for U.S., Canada, Great Britain and Belgium" following No. 91-069 160-04.

From the library of: Superior Sewing Machine & Supply LLC



# Part Number Change

Section III/1  
467

To be filed with page: 21

Change No.: 1-25 060

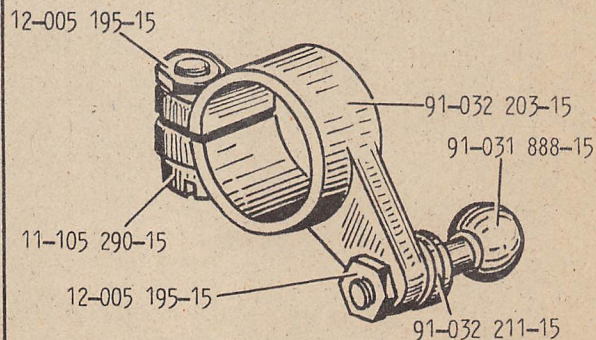
Date: Jul. 13, 1967

Old Parts

New Parts

91-169 084-11 Vibrating presser and feed reversing crank, complete, consisting of Nos. 11-105 290-15; 12-005 195-15; 91-031 888-15; 91-032-203-15; 91-032 211-15

91-169 084-11



Remarks: The vibrating presser and feed reversing crank No. 91-169 084-11 is mounted on the top feed regulating shaft to the right of the rear bedplate leg.

From the library of: Superior Sewing Machine & Supply LLC



# Part Number Change

Section II/2  
467

To be filed with page: 13

Change No.: 1-25 531

Date: Jun. 23, 1967

Old Parts

New Parts

91-069 785-01 Oil reservoir

91-169 350-01 Oil reservoir

Remarks: Oil reservoir No. 91-069 785-01 cannot be replaced by oil reservoir No. 91-169 350-01. The new oil reservoir has been incorporated in all machines assigned Serial No. 8 602 000 and up. For additional information, please refer to TVB Bulletin No. 515 filed under "Parts".



From the library of: Superior Sewing Machine & Supply LLC



# Part Number Change

Section III/2  
467

To be filed with page: 20

Change No.: 1-25 531

Date: Jun. 23, 1967

## Old Parts

91-069 250-91 Oil valve complete,  
consisting of Nos. 14-650 275-05;  
15-120 112-05; 15-128 010-75;  
15-128 060-75; 91-069 251-15;  
91-069 252-05; 91-069 254-05;  
91-069 257-05; 91-069 259-05

91-069 252-05 Nipple for Nos. 91-069 251-15;  
91-069 253-05

## New Parts

91-169 354-91 Oil valve complete,  
same components as No. 91-069 250-91  
but incorporating nipple No.  
91-169 355-05

91-169 355-05 Nipple for No. 91-169 352-05  
(see Change No. 7)

Remarks: The old parts cannot be replaced by the new ones. The new parts have been incorporated in all machines assigned Serial No. 8 602 000 and up. For additional information, please refer to TVB Bulletin No. 515 filed under "Parts".

From the library of: Superior Sewing Machine & Supply LLC



# Part Number Change

Section III/3  
467

To be filed with page: 20

Change No.: 1-25 531

Date: Jun. 23, 1967

## Old Parts

## New Parts

91-069 253-45 Oil tube, 265 mm long,  
for Nos. 91-069 250-91; 91-069 785-01  
(see page II)

91-169 352-05 Oil tube, 235 mm long,  
for Nos. 91-169 354-91; 91-169 350-01  
(see page II)

91-069 083-45 Oil wick, 30 mm long, for No.  
91-069 253-45

91-169 353-05 Oil wick, 30 mm long, for No.  
91-169 352-05

12-610 220-15 Circlip for No. 91-069 253-45

12-610 230-45 Circlip for No. 91-169 352-05

91-069 964-15 Oil tube holder for No. 91-069 253-45

Omitted on new version.

11-105 171-15 Fastening screw for No. 91-069 964-15

11-105 171-15 Fastening screw for No. 91-169 356-05  
(see Change No. 8)

### Remarks:

The old parts cannot be replaced by the new ones. The new parts have been incorporated in all machines assigned Serial No. 8 602 000 and up. For additional information, please refer to TVB Bulletin No. 515 filed under "Parts".

No. 7 / engl.

From the library of: Superior Sewing Machine & Supply LLC

From the library of: Superior Sewing Machine & Supply LLC



# Part Number Change

Section III/4  
467

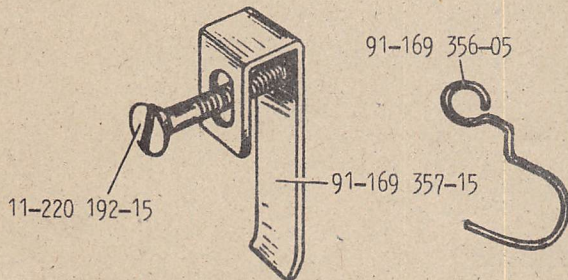
To be filed with page: 21

Change No.: 1-25 531

Date: Jun. 23, 1967

Old Parts

New Parts



- 91-169 356-05 Oil tube holder for No. 91-169 352-05 (see Change No. 7)
- 11-220 192-15 Binding screw for No. 91-169 357-15
- 91-169 357-15 Oil tube holder for No. 91-169 352-05 (see Change No. 7)

Remarks: The new parts have been installed beginning with Serial No. 8 602 000. For additional information, please refer to TVB Bulletin No. 515 filed under "Parts".

From the library of: Superior Sewing Machine & Supply LLC



# Part Number Change

Section III/5

467

To be filed with page: 21

Change No.: 1-25 103

Date: Jun. 23, 1967

Old Parts

New Parts

91-069 417-05<sup>3)</sup> Differential upper feed regulating crank

91-069 417-92<sup>3)</sup> Differential upper feed regulating crank, w/ binding screw No. 11-105 225-15

Remarks:



From the library of: Superior Sewing Machine & Supply LLC



# Part Number Change

Section : 1/2

467

To be filed with page:

7

Change No.:

1-27 162

Date:

June 26, 1970

## Old Parts

91-169 142-91 Vibrating presser vibrating mechanism w/  
presser bar assembly, compl.,  
consisting of Nos.91-049 092-45;  
91-054 295-91; 91-169 105-91 compl.;  
91-169 145-91 compl.; 91-700 687-15  
(Subcl.-6/1)

## New Parts

91-170 607-91 Vibrating presser vibrating mechanism w/  
presser bar assembly, compl.,  
(Subcl.-6/01)  
Same component parts as No.91-169 142-91,  
but incorporating presser bar assembly  
No.91-169 499-91

91-170 608-91 Vibrating presser vibrating mechanism w/  
presser bar assembly, compl.,  
(Subcl.-6/02)  
Same component parts as No.91-170 607-91,  
but incorporating vibrating presser foot  
No.91-049 093-45 and lifting presser foot  
No.91-054 303-01

## Remarks:

The new parts (Sheets Nos.12, 13 and 14) permit a fabric clearance of 7.0 mm  
(abt. 9/32").

From the library of: Superior Sewing Machine & Supply LLC



# Part Number Change

Section: I/3  
467

To be filed with page:

7

Change No.:

1-27 162

Date:

June 26, 1970

## Old Parts

## New Parts

91-169 145-91 Presser bar assembly, compl.,  
consisting of Nos.11-130 176-15;  
12-610 150-45; 91-169 146-05;  
91-169 149-15; 91-169 150-05;  
91-169 151-05; 91-169 153-11;  
91-169 155-12; 91-700 073-35

91-169 499-91 Presser bar assembly, compl.,  
Same component parts as No.91-169 145-91,  
but incorporating vibrating presser  
lifting bar No.91-169 100-11 and  
set screw No.11-108 174-35

91-169 149-15 Vibrating presser lifting bar

91-169 100-11 Vibrating presser lifting bar

91-700 073-15 Fastening screw for Nos.91-054 295-91;  
91-054 303-01; 91-169 191-25

11-108 174-35 Fastening screw for Nos.91-054 295-91;  
91-054 303-01

## Remarks:

The new parts (Sheets Nos.12,13 and 14) permit a fabric clearance of 7.0 mm  
(abt. 9/32").

From the library of: Superior Sewing Machine & Supply LLC



# Part Number Change

Section : I/4  
467

To be filed with page: 7

Change No.: 1-27 162

Date: June 26, 1970

Old Parts

New Parts

91-069 794-91 Needle bar, compl.,  
consisting of Nos. 91-063 111-92;  
91-069 795-01

91-069 571-92 Needle bar, w/  
needle set screw No. 91-700 336-15

Remarks:

The new parts (Sheets Nos. 12, 13 and 14) permit a fabric clearance of 7.0 mm  
(abt. 9/32")

From the library of: Superior Sewing Machine & Supply LLC



# Part Number Change

Section: 1/5

467

To be filed with page:

7

Change No.:

1-28 479

1-27 436

1-26 651

Date:

June 26, 1970

Old Parts

New Parts

91-700 364-15



91-700 364-15 Spring suspension screw  
for No.91-069 324-05

11-105 171-15 Fastening screw for No.91-069 584-45

11-266 171-35 Fastening screw for No.91-069 106-35

13-064 247-05



13-064 247-05 Spring suspension stud

11-108 171-15 Fastening screw for No.91-069 584-45

11-268 170-35 Fastening screw for No.91-069 106-35

Remarks:

Spring suspension screw No.91-700 364-15 cannot be replaced by spring suspension stud No.13-064 247-05. All other parts are exchangeable.



From the library of: Superior Sewing Machine & Supply LLC



# Part Number Change

Section: 1/6  
467

To be filed with page:

7

Change No.:

1-27 162

Date:

June 26, 1970

## Old Parts

## New Parts

11-105 083-15 Fastening screw for No.91-069 459-15

11-108 084-15 Fastening screw for No.91-069 459-15

11-105 087-15 Fastening screw for No.91-069 467-15

11-108 087-15 Fastening screw for No.91-069 467-15

91-069 637-35 Thread guide, lower

91-168 063-35 Thread guide, lower

11-266 171-35 Fastening screw for No.91-069 106-35

11-268 170-35 Fastening screw for No.91-069 106-35

91-169 111-92 Vibrating presser rocker lever, w/  
binding screw No.11-105 225-15

91-171 330-92 Vibrating presser rocker lever, w/  
binding screw No.11-108 225-15

Remarks:

The old parts can be replaced by the new ones.

From the library of: Superior Sewing Machine & Supply LLC



# Part Number Change

Section: I/7  
467

To be filed with page:

7

Change No.:

1-27 162

Date:

June 26, 1970

Old Parts

New Parts

11-105 225-15 Binding screw for Nos.91-069 102-12;  
91-169 110-92; 91-169 111-92

11-108 225-15 Binding screw for Nos.91-069 102-12;  
91-169 110-92; 91-169 111-92

11-106 236-15 Fastening screw for No.91-069 543-91

11-108 237-15 Fastening screw for No.91-069 543-91

11-105 177-15 Binding screw for Nos.91-169 126-12;  
91-169 135-12; 91-169 155-12

11-108 177-15 Binding screw for Nos.91-169 126-12;  
91-169 135-12; 91-169 155-12

Remarks:

The old parts can be replaced by the new ones.

From the library of: Superior Sewing Machine & Supply LLC



# Part Number Change

Section :II/3

-467

To be filed with page:

13

Change No.:

1-26 284

1-28 718

Date:

Aug. 21, 1970

## Old Parts

91-069 137-35 Stitch length dial

91-069 138-15 Stitch length cam

11-205 939-35 Fastening screw for No.91-069 138-15

15-718 050-51 Ball bearing sealer for No.91-069 472-91

11-105 177-15 Binding screw for No.91-069 472-91

91-700 288-15 End screw for No.91-069 472-91

## New Parts

91-170 722-45 Stitch length dial

91-170 725-11 Stitch length cam

11-205 093-35 Fastening screw for No.91-170 725-11

91-169 099-45 Lubricating nipple for No.91-069 472-91

11-108 177-15 Binding screw for No.91-069 472-91

11-174 086-15 End screw for No.91-069 472-91

## Remarks:

The following parts are not exchangeable: stitch length dial No.91-069 137-35 by stitch length dial No.91-170 722-45, and stitch length cam No.91-069 138-15 by stitch length cam No.91-170 725-11. All the other old parts can be exchanged by new ones.

From the library of: Superior Sewing Machine & Supply LLC



# Part Number Change

Section : II/4  
467

To be filed with page:

13

Change No.:

1-27 318

Date:

Aug. 21, 1970.

## Old Parts

91-069 745-92 Balance wheel, w/  
No.91-701 378-15 Set screw (M 6x8)  
No.11-314 280-15 Set screw (M 6x8)

91-701 378-15 Fastening screw (M 6x8)  
for No.91-069 745-92

11-314 280-15 Fastening screw (M 6x8)

## New Parts

91-170 638-92 Balance wheel, w/  
No.91-100 253-15 Set screw (M 6x0.75),  
pointed  
No.91-700 510-15 Set screw (M 6x0.75),  
blunt

91-100 253-15 Fastening screw (M 6x0.75), pointed

91-700 510-15 Fastening screw (M 6x0.75), blunt

## Remarks:

The old balance wheel can be replaced by the new ones. The old fastening screws cannot be replaced by the new ones.



From the library of: Superior Sewing Machine & Supply LLC



# Part Number Change

Section: II/5  
467

To be filed with page: 13

Change No.: 1-26 343  
1-25 644

Date: Aug. 24, 1970

## Old Parts

## New Parts

91-069 721-12 Set collar for No.91-069 714-91, w/  
set screws No.11-317 950-15  
(Thread = M 5x5)

91-169 457-12 Set collar w/ set screw No.91-700 689-15  
(Thread = M 6x0.75),  
for No.91-069 714-91

11-317 950-15 Fastening screw (Thread = M 5x5)  
for No.91-069 721-12

91-700 689-15 Fastening screw (Thread M 6x0.75)  
for No.91-169 457-12

91-069 723-12<sup>1)</sup> Vibrating presser vibrating shaft crank  
(on Pfaff 465 used as needle vibrating  
shaft crank) w/  
binding screw No.11-105 225-15

91-069 724-12<sup>1)</sup> Vibrating presser vibrating shaft crank  
(on Pfaff 465 used as needle vibrating  
shaft crank) w/  
binding screw No.11-108 225-15

## Remarks:

Fastening screw No.11-317 950-15 cannot be replaced by fastening screw No.91-700 689-15  
All other parts can be replaced by the new ones.

From the library of: Superior Sewing Machine & Supply LLC



# Part Number Change

Section: II/6

467

To be filed with page:

13

Change No.:

1-26 624  
1-26 108

Date:

Aug. 24, 1970

## Old Parts

11-105 225-15 Binding screw for Nos.91-069 418-12;  
91-069 723-1211-310 478-15 Stop screw for Nos.91-069 326-15;  
91-169 304-15

12-005 195-15 Nut for No.11-310 478-15

91-700 335-15 Fastening screw for No.91-069 633-91

## New Parts

11-108 225-15 Binding screw for Nos.91-069 418-12;  
91-069 724-1211-305 299-15 Stop screw for Nos.91-069 326-15;  
91-169 304-15

91-701 664-15 Nut for No.11-305 299-15

91-100 270-15 Fastening screw for No.91-069 633-91

Remarks:

The old parts can be replaced by the new ones.

From the library of: Superior Sewing Machine & Supply LLC



# Part Number Change

Section : III/8

467

To be filed with page: 19

Change No.:

Date: Aug. 25, 1970

## Old Parts

## New Parts

11-105 225-15<sup>3</sup>) Binding screw for No. 91-069 417-05

11-108 225-15<sup>3</sup>) Binding screw for No. 91-069 417-05

11-105 225-15 Binding screw for Nos. 91-069 284-91;  
91-069 296-12; 91-069 420-12;  
91-069 547-11 and  
set screw for No. 91-069 097-05

11-108 225-15 Binding screw for Nos. 91-069 284-91;  
91-069 296-12; 91-069 420-12;  
91-069 547-11 and  
set screw for No. 91-069 097-05

12-610 230-45 Circlip for No. 91-169 352-05  
(see part number change No. 7)

12-610 240-45 Circlip for No. 91-169 352-05

## Remarks:

The old parts can be replaced by the new ones.

From the library of: Superior Sewing Machine & Supply LLC



# Part Number Change

Section : III/9  
467

To be filed with page:

19

Change No.:

1-26 585

Date:

Aug. 25, 1970

Old Parts

New Parts

11-220 172-15<sup>3</sup>) End screw for No.91-169 132-15

11-178 166-15<sup>3</sup>) End screw for No.91-169 172-05

91-169 132-15<sup>3</sup>) Washer for No.91-169 171-15  
(see Section II)

Deleted when new end screw  
No.11-178 166-15 is used.

11-105 171-15 Fastening screw for No.91-169 356-05  
(see part number change No.7)

11-108 171-15 Fastening screw for No.91-169 356-05

Remarks:

The old parts can be replaced by the new ones.



From the library of: Superior Sewing Machine & Supply LLC



# Part Number Change

Section: III/10  
467

To be filed with page: 19

Change No.:

Date: Aug. 25, 1970

## Old Parts

## New Parts

11-105 174-15 Binding screw for No.91-069 554-92

11-108 177-15 Binding screw for No.91-069 554-92.

11-105 177-15 Binding screw for Nos.91-069 243-12;  
91-069 244-91; 91-069 547-11 and  
set screw for Nos.91-069 301-15;  
91-169 ~~059~~-15

11-108 177-15 Binding screw for Nos.91-069 243-12;  
91-069 244-91; 91-069 547-11 and  
set screw for Nos.91-069 301-15;  
91-169 059-15

## Remarks:

The old parts can be replaced by the new ones.

From the library of: Superior Sewing Machine & Supply LLC



# Part Number Change

Section: III/11

467

To be filed with page:

19

Change No.:

1-26 601

Date:

Aug. 25, 1970

Old Parts

New Parts

91-047 373-04 Feed dog, saw-tooth cut  
(subcl.-6/2)

91-047 547-04 Feed dog, saw-tooth cut  
(subcl.-6/02)

91-048 076-04 Needle plate for No.91-047 373-04  
(subcl.-6/2)

91-058 048-04 Needle plate for No.91-047 547-04  
(subcl.-6/02)

Remarks:

The old parts can be replaced by the new ones.

From the library of: Superior Sewing Machine & Supply LLC