

MODEL : PLC-2710/PLC-2710-7/PLC-2760/
PLC-2760-7
List No: 1629-05

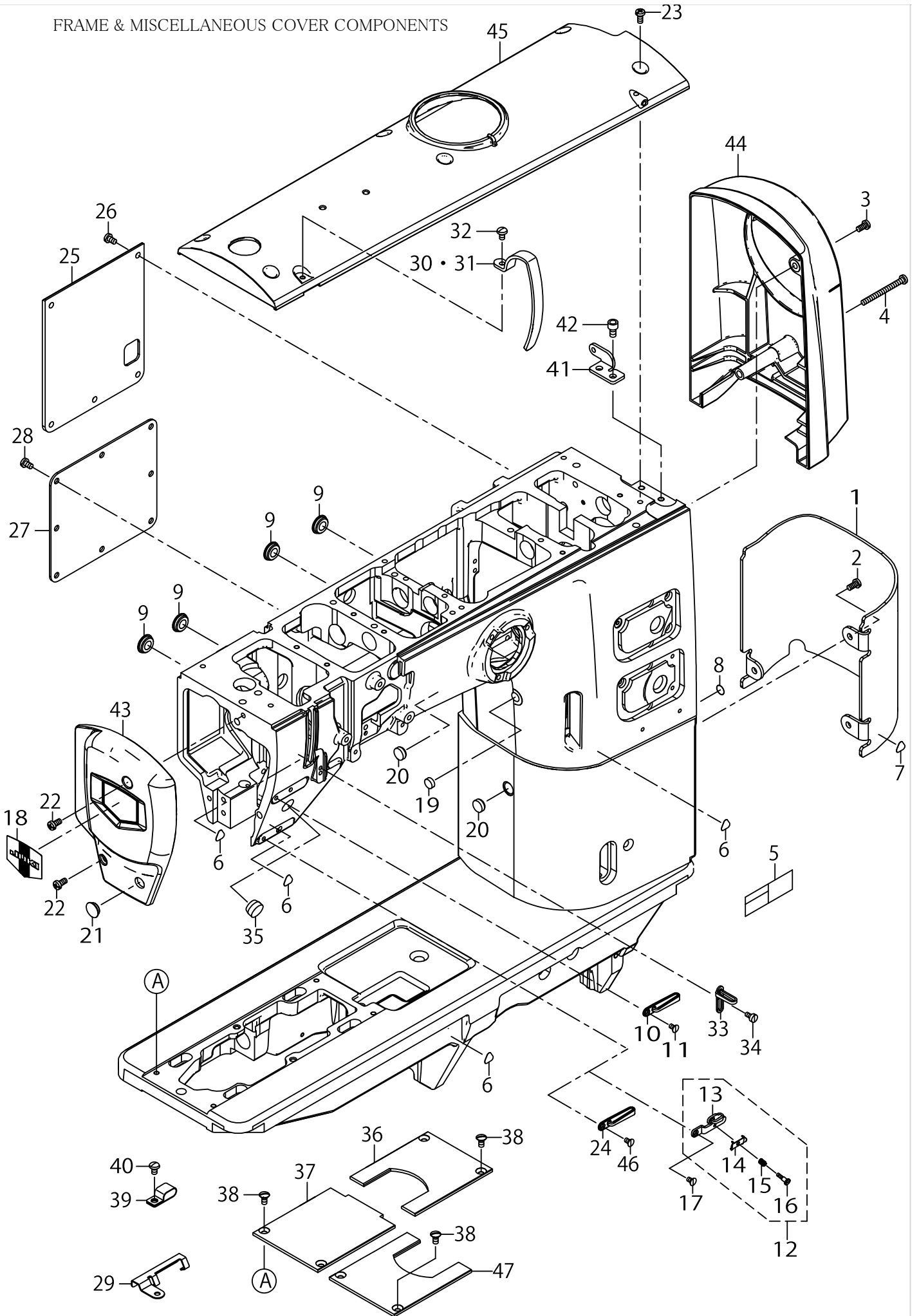
PARTS LIST

Published:08/22/2016

CONTENTS

FRAME & MISCELLANEOUS COVER COMPONENTS	1
MAIN SHAFT & THREAD TAKE-UP LEVER COMPONENTS	3
NEEDLE BAR COMPONENTS	5
NEEDLE BAR COMPONENTS (FOR PLC-2765).....	7
LOWER SHAFT COMPONENTS.....	9
OPENNER COMPONENTS	13
HOOK COMPONENTS.....	15
UPPER FEED COMPONENTS.....	17
HAND LIFTER & AUTO LIFTER COMPONENTS.....	21
KNEE LIFTER COMPONENTS (FOR PLC-2710,2760,2760L,2765)	23
LOWER FEED COMPONENTS.....	25
FEED ADJUST COMPONENTS.....	29
DL COMPONENTS(FOR PLC-2710-7,2760-7,2710(WITH AK,BT,DL),2760(WITH AK,BT,DL),2760L (WITH AK,BT,DL),2765(WITH AK,BT,DL))	33
AUTO BT COMPONENTS(FOR PLC-2710-7,2760-7,2710(WITH AK,BT,DL),2760(WITH AK,BT, DL),2760L(WITH AK,BT,DL),2765(WITH AK,BT,DL))	35
6-RANGE SW COMPONENTS(FOR PLC-2710-7,2760-7,2710(WITH AK,BT,DL),2760(WITH AK,BT, DL),2760L(WITH AK,BT,DL),2765(WITH AK,BT,DL))	37
SPEED ADJUST COMPONENTS(FOR PLC-2710-7,2760-7).....	39
THREAD CUTTING COMPONENTS(FOR PLC-2710-7,2760-7)	41
CONDENSE COMPONENTS(FOR PLC-2710-7,2760-7)	45
THREAD TENSION COMPONENTS(FOR PLC-2710,2710-7)	47
THREAD TENSION COMPONENTS(FOR PLC-2760,2760-7,2760L).....	49
NEEDLE STOP CHANGE LEVER & THREAD TENSION COMPONENTS(FOR PLC-2765).....	51
TENSION RELEASE COMPONENTS(FOR PLC-2710-7,2760-7)	55
PNEUMATIC COMPONENTS(FOR PLC-2710-7,2760-7).....	57
BOBBIN WINDER COMPONENTS.....	59
LUBRICATION COMPONENTS	61
THREAD STAND COMPONENTS(FOR PLC-2710,2710-7).....	65
THREAD STAND COMPONENTS(FOR PLC-2760,2760-7,2760L,2765)	67
ACCESSORIES PARTS COMPONENTS (1).....	69
ACCESSORIES PARTS COMPONENTS (2).....	71
TABLE OF EXCHANGING GAUGE PARTS(FOR PLC-2710,2710-7).....	73
TABLE OF EXCHANGING GAUGE PARTS(1)(FOR PLC-2760,2760-7,2760L,2765)	75
TABLE OF EXCHANGING GAUGE PARTS(2)(FOR PLC-2760,2760-7,2760L,2765)	77
SC-922A KIT COMPONENTS (OPTIONAL PARTS).....	79
SUSPENSION SQUARE COMPONENTS (OPTIONAL PARTS)	81
AK KIT COMPONENTS (OPTIONAL PARTS)(FOR PLC-2710,2760,2760L,2765).....	83
BT,DL KIT COMPONENTS (OPTIONAL PARTS)(FOR PLC-2710(WITH AK),2760(WITH AK),2760L (WITH AK))	85
BT,DL KIT COMPONENTS (OPTIONAL PARTS)(FOR PLC-2765(WITH AK))	87
AK,BT,DL KIT COMPONENTS (OPTIONAL PARTS)(FOR PLC-2710,2760,2760L)	89
AK,BT,DL KIT COMPONENTS (OPTIONAL PARTS)(FOR PLC-2765).....	93
OPTIONAL PARTS	97
LIST FOR INFOMATION OF CHANGE.....	99

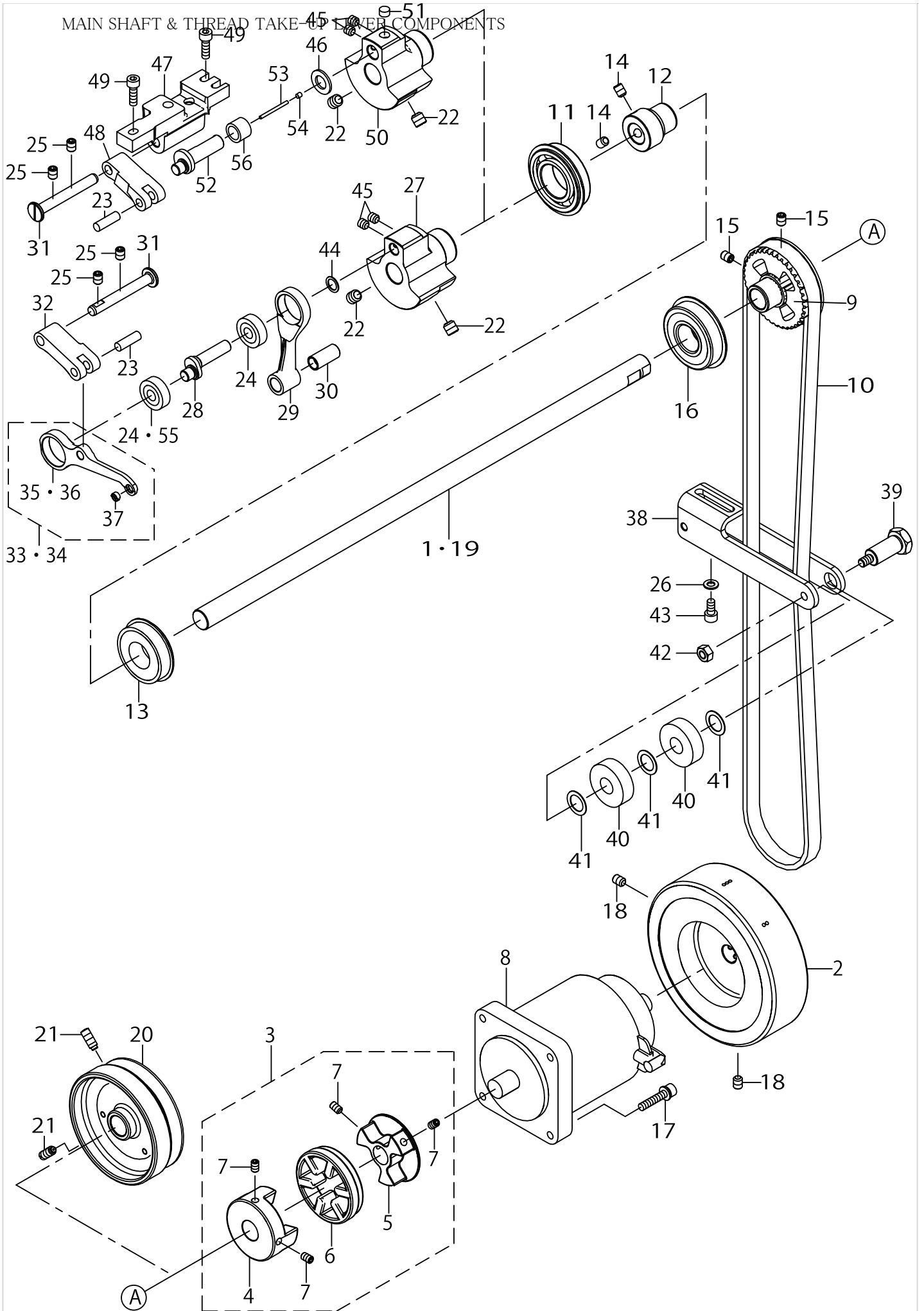
FRAME & MISCELLANEOUS COVER COMPONENTS



FRAME & MISCELLANEOUS COVER COMPONENTS

No.	C- ons	Le- vel	Parts No.	Replacement	Supply Code	Parts name	Qty	R- ep- Q- TY	Status	Spec	Remarks
1			40129977			POST_COVER	1				FOR PLC-2710-
2			SM4051055SP			SCREW	3				FOR PLC-2710-
3			SM4051055SP			SCREW	2				FOR PLC-2710-
4			SM4055501SC			SCREW M5X0.8 L=55	1				FOR PLC-2710-
5			40102261			SAFETY_LABEL_S	1				
6			CM300200001			ATTENTION SEAL	4				
7			CM300200001			ATTENTION SEAL	1				FOR PLC-2710-
8			22901805			GROUND MARK	1				
9			TA1650406R0			PRUG	4				
10	☆		40084142			THREAD_GUIDE_LOWER	1				
11			SM1040750TP			SCREW M4 L=7	1				
12	☆		40034675			THREAD_GUIDE_ASM_E	1				FOR PLC-2710-
13		*	40034674			THREAD_GUIDE	1				
14		*	40042716			THREAD_PRESSER_PLATE	1				
15		*	B1132521000			THREAD_PRESSER_PLATE_S	1				
16		*	SD0380556TL			SHOULDER SCREW D=3.8 H	1				
17			SM1040750TP			SCREW M4 L=7	1				FOR PLC-2710-
18			22902506			FACE PLATE	1				
19			TA1030402R0			RUBBER PLUG D=10.3 L=4	1				
20			TA1270502R0			RUBBER PLUG	2				
21			TA1250406R0			RUBBER PLUG D=12.5 L=4	1				
22			SM4051055SP			SCREW	2				
23			SM4051055SP			SCREW	6				
24	☆		40084142			THREAD_GUIDE_LOWER	1				FOR PLC-2710,;
25			40129995			APERTURE_COVER	1				
26			SM4050855SP			SCREW	5				
27			40129975			APERTURE_PLATE	1				
28			SM4050855SP			SCREW	8				
29			40134805			CABLE HOLDER	1				FOR PLC-2710-
30			40134834			THREAD_TAKE_UP_LEVER	1				FOR PLC-2760L
31			23600505			THREAD TAKE-UP LEVER	1				
32			SM4051055SP			SCREW	1				
33	☆		40126221			THREAD_GUIDE	1				
34			SM6040870SP			SCREW	1				
35			TA1550902R0			PLUG	1				
36			40129982			BED_COVER_A	1				
37			40129983			BED_COVER_B	1				FOR PLC-2710,;
38			SM2051000SC			SCREW	4				
39			D2112555B00			CORD HOLDER LARGE	3				FOR PLC-2710-
40			SM4050855SP			SCREW	2				FOR PLC-2710-
41			40112277			PLATE	1				FOR PLC-2710,;
42			SM6061002TP			SCREW M6 L=10	2				FOR PLC-2710,;
43			40130704			FACE_PLATE	1				
44			40130705			MOTOR_COVER	1				FOR PLC-2710-
45			40130706			TOP_COVER	1				
46			SM1040750TP			SCREW M4 L=7	1				FOR PLC-2710,;
47			40129982			BED_COVER_A	1				FOR PLC-2760,;

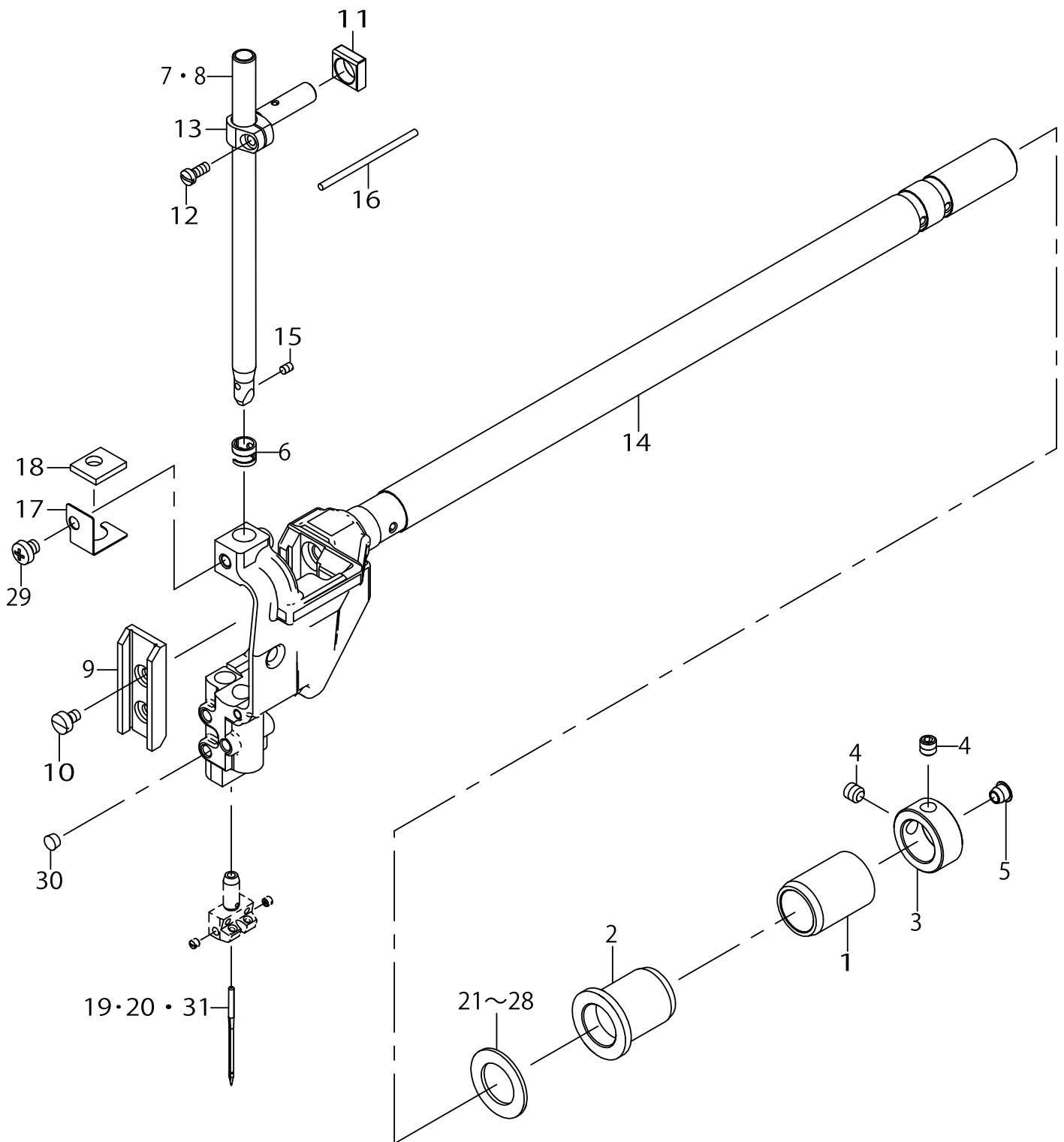
MAIN SHAFT & THREAD TAKE-UP COVER COMPONENTS



MAIN SHAFT & THREAD TAKE-UP LEVER COMPONENTS

No.	C- ons	Le- vel	Parts No.	Replacement	Supply Code	Parts name	Qty	R- ep. Q- TY	Status	Spec	Remarks
1			40112087			MAIN_SHAFT_DD	1				FOR PLC-2710-
2			40130702			HAND_WHEEL	1				FOR PLC-2710-
3			40112312			COUPLING_ASSY	1				FOR PLC-2710-
4		*	40130277	40112312		HUB_L	1	1.00			FOR PLC-2710-
5		*	40112106			HUB_R	1				FOR PLC-2710-
6		*	40125950	40112312		SPIDER	1	1.00			FOR PLC-2710-
7		*	SM8050812TP			SCREW M5X8	4				FOR PLC-2710-
8			40126244			AC SERVO MOTOR	1				FOR PLC-2710-
9			40126321			SPROCKET_UPPER	1				
10	☆		40130020			TIMING_BELT	1				
11			B1203512000			BUSHING	1				
12			23605207			MAIN SHAFT BEARING SUF	1				
13			SB120001800			BEARING	1				
14			SM80608A2TP			SCREW M6 L=8	2				
15			SM8060812TP			SCREW M6 L=8	2				
16			SB120002700			BEARING	1				
17			SL6052592TN			BOLT	4				FOR PLC-2710-
18			SM8060812TP			SCREW M6 L=8	2				FOR PLC-2710-
19			40112088			MAIN_SHAFT	1				FOR PLC-2710,;
20			40112299			HAND_WHEEL_A	1				FOR PLC-2710,;
21			SS8151550SP			SCREW 15/64-28 L=15	2				FOR PLC-2710,;
22			SM8080812TP			SCREW M8X8	2				
23			10721504			FEED ADJUSTING PIN	1				
24			SB108001900			BEARING	2				FOR PLC-2710,;
25			SM8060812TP			SCREW M6 L=8	2				
26			WP0531000SD			WASHER M5	2				
27			40112091			COUNTER_WEIGHT	1				
28			40112092			NEEDLE_BAR_CRANK	1				
29			40112093			NEEDLE_BAR_CRANK_ROD	1				FOR PLC-2710,;
30			40112094			CRANK_ROD_BUSH	1				
31			40011902			THREAD_TAKE_UP_CRANK	1				
32			40125930			TAKE_UP_LEVER_CRANK	1				
33			40127049			THREAD_TAKE_UP_ASM.	1				FOR PLC-2710,;
34			40134545			THREAD_TAKE_UP_ASM.	1				FOR PLC-2760L
35		*	40125939			THREAD_TAKE_UP	1				
36		*	40134532			THREAD_TAKE_UP	1				FOR PLC-2760L
37		*	10546901			BUSH	1				
38			40130021			IDOLER_PLATE	1				
39			40130022			IDOLER_SHAFT	1				
40			B1803019000			BALL BEARING INTERMED	2				
41			E3026721000			SLIDER	3				
42			NM6060001CP			NUT M6	1				
43			SM6051002TP			SCREW M5X0.8 L=10	2				
44			WP0820516SP			WASHER 11.6X8.2X0.6	1				
45			SM8060612TP			SCREW M6 L=6	2				
46			40026818			WASHER	1				FOR PLC-2765
47			40131642			TAKE_UP_LEVER_CRANK_SI	1				FOR PLC-2765
48			40131643			TAKE_UP_LEVER_CRANK	1				FOR PLC-2765
49			SM6051602TP			SCREW M5X0.8 L=16	3				FOR PLC-2765
50			40131645			COUNTER WEIGHT	1				FOR PLC-2765
51			40138482			FELT	1				FOR PLC-2765
52			40131646			NEEDLE_BAR_CRANK	1				FOR PLC-2765
53			CQ202000000			OIL WICK	.027				FOR PLC-2765
54			TA0290301M0			PLUG	1				FOR PLC-2765
55			SB108001900			BALL BEARING	1				FOR PLC-2765
56			SB310000300			BALL BEARING	1				FOR PLC-2765

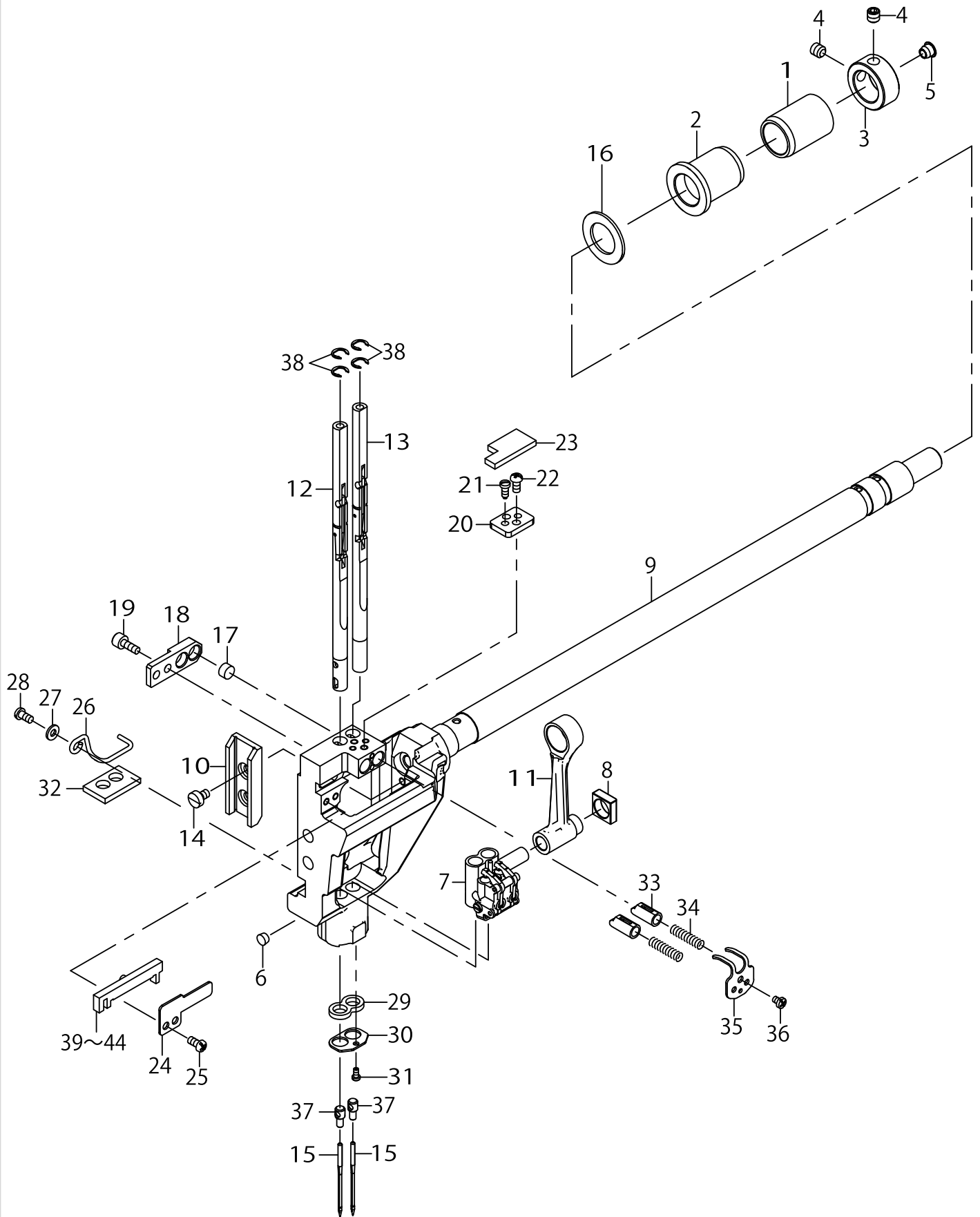
NEEDLE BAR COMPONENTS



NEEDLE BAR COMPONENTS

No.	C- ons	Le- vel	Parts No.	Replacement	Supply Code	Parts name	Qty	R- ep. Q- TY	Status	Spec	Remarks
1			40010709			NF SHAFT BUSH R	1				
2			40023568			BUSHING	1				
3			CS1701181TP			THRUST COLLAR D=17 W=	1				
4			SM8060612TP			SCREW M6 L=6	2				
5			TA0620504R0			CAP	1				
6	☆		B1418141H00			NEEDLE BAR THREAD GUI	1				FOR PLC-2710,;
7			B1401246000			NEEDLE BAR	1				FOR PLC-2710,;
8			21451406			NEEDLE BAR	1				FOR PLC-2760,;
9			40127041			NEEDLE_BAR_GUIDE	1				
10			SM6040650TP			SCREW	2				
11			40112152			NEEDLE_ROD_SQUARE_BLC	1				
12			SS7090910TP			SCREW 9/64-40 L=8.5	1				
13			40112273			NEEDLE BAR CONNECTIO	1				
14			40136296	40126402		N_B.ROCKING_BASE_ASM.	1	1.00	選択部品	PLC-2810.2710.;	
14			40136296	40127054		N_B.ROCKING BASE_ASM.	1	1.00	選択部品	PLC-2860.2760L	
15	☆		SS8080410TP			SCREW 1/8-44 L=3.5	1				FOR PLC-2710,;
16			CQ252000000			OIL WICK	.05				
17			40112270			FELT HOLDER	1				
18			40112272			NEEDLE_BAR_FELT_E	1				
19	☆		M13517B1400			NEEDLE 135X17 #140	1				FOR PLC-2710,;
20	☆		M13517B1400			NEEDLE 135X17 #140	2				FOR PLC-2760,;
21			B1438512B00			WASHER 17.1X28X1.5	1				SELECTIVE PAF
22			22606206			SPACER Y	1				SELECTIVE PAF
23			22606305			SPACER Z	1				SELECTIVE PAF
24			22607600			SPACER A	1				SELECTIVE PAF
25			22607709			SPACER B	1				SELECTIVE PAF
26			22607808			SPACER D	1				SELECTIVE PAF
27			22607907			SPACER E	1				SELECTIVE PAF
28			22606404			SPACER F	1				SELECTIVE PAF
29			SM4050501SC	SM4050801SC		SCREW M5X0.8 L=5	1	1.00			
30			TA0500301R0			PLUG 5X5.8 L=3	4				
31			M13517B2000			NEEDLE 135X17 #200	2				FOR PLC-2760L

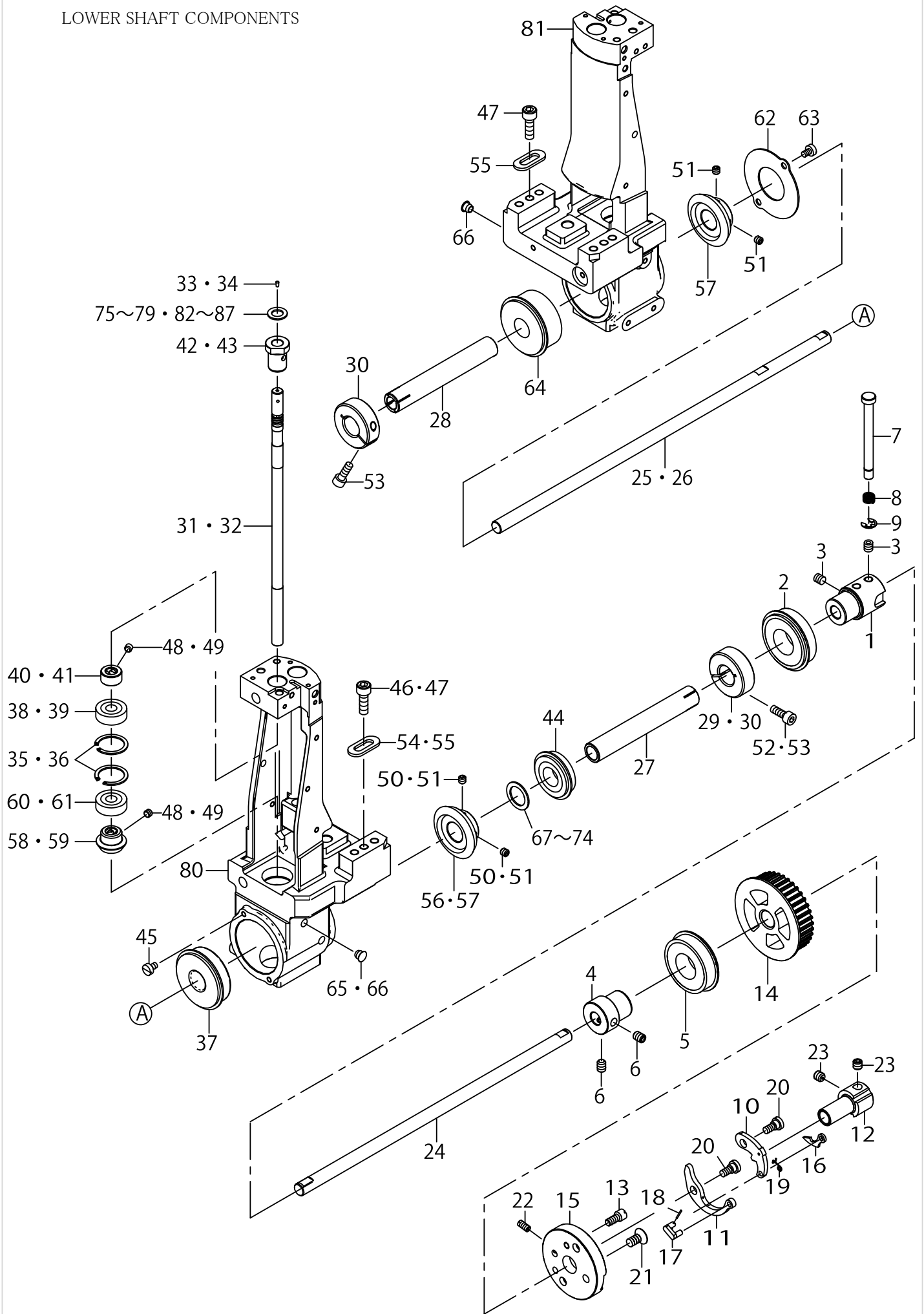
NEEDLE BAR COMPONENTS (FOR PLC-2765)



NEEDLE BAR COMPONENTS (FOR PLC-2765)

No.	C- ons	Le- vel	Parts No.	Replacement	Supply Code	Parts name	Qty	R- ep. Q- TY	Status	Spec	Remarks
1			40010709			NF SHAFT BUSH R	1				
2			40023568			BUSHING	1				
3			CS1701181TP			THRUST COLLAR D=17 W=	1				
4			SM8060612TP			SCREW M6 L=6	2				
5			TA0620504R0			CAP	1				
6			TA0500301R0			PLUG 5X5.8 L=3	1				
7			40032147			NEEDLE_BAR_CONNECTIO	1				
8			40112152			NEEDLE_ROD_SQUARE_BLC	1				
9			40138640			NEEDLE_BAR_ROCKING_BA	1				
10			40127041			NEEDLE_BAR_GUIDE	1				
11			40131644			NEEDLE_BAR_CRANK_ROD	1				
12			40131649			NEEDLE_BAR_ASM._LEFT	1				
13			40131651	40131647		NEEDLE_BAR_ASM._RIGHT	1	1.00			
14			SM6040650TP			SCREW	2				
15	☆		M13517B1400			NEEDLE 135X17 #140	2				
16			22607709			SPACER B	1				
17			11002904			ROLLER FELT	2				
18			40131653			FELT_COVER	1				
19			SM6040602TP			SCREW M4X0.7 L=6	2				
20			22682702			NEEDLE BAR SWIVEL STO	1				
21			22681712			STOPPER SCREW	2				
22			SS4090715SP			SCREW 9/64-40 L=7	2				
23			40039629			FELT	1				
24			22681803			SLIDE BLOCK GUIDE PLA1	1				
25			SS4090715SP			SCREW 9/64-40 L=7	2				
26			40131654			FELT_GUIDE	1				
27			WP0371016SD			WASHER 3.7X8X1	1				
28			SS4090715SP			SCREW 9/64-40 L=7	1				
29			22686000			NEEDLE BAR OIL SEAL FE	1				
30			40131656			NEEDLE_BAR_OIL_SEAL_PL	1				
31			SS6060510TP			SCREW 3/32-56 L=4.5	1				
32			40131655			OIL_GUARD_FELT	1				
33			22681407			NEEDLE BAR STOPPER	2				
34			22681506			SPRING	2				
35			40095222			STOPPER_SPRING_COVER	1				
36			SM4030455SP			SCREW	1				
37			22682504			SPRING BEARING	2				
38			40028668			RING_A	4				
39			22681951			SLIDER BLOCK ASM. A	1				SELECTIVE PAF
40			22682058			SLIDER BLOCK ASM. B	1				SELECTIVE PAF
41			22682157			SLIDER BLOCK ASM. C	1				SELECTIVE PAF
42			22682256			SLIDER BLOCK ASM. D	1				SELECTIVE PAF
43			22682355			SLIDER BLOCK ASM. E	1				SELECTIVE PAF
44			40117425			SLIDER BLOCK ASM. F	1				SELECTIVE PAF

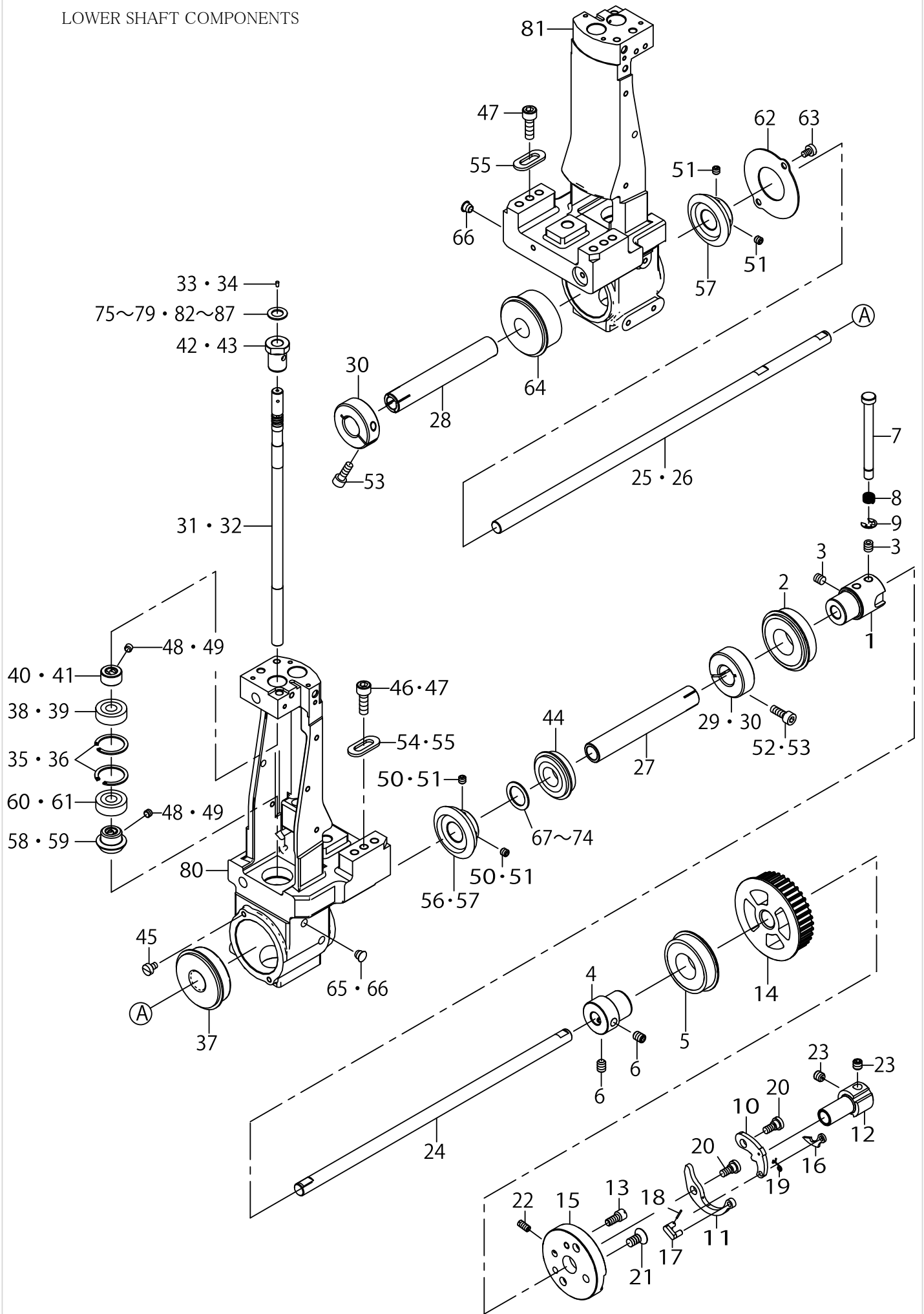
LOWER SHAFT COMPONENTS



LOWER SHAFT COMPONENTS

No.	C- ons	Le- vel	Parts No.	Replacement	Supply Code	Parts name	Qty	R- ep- Q- TY	Status	Spec	Remarks
1			40130041			CONNECTION_BUSH	1				
2			SB120001800			BEARING	1				
3			SM8060812TP			SCREW M6 L=8	4				
4			40123247			BEARING_COLLAR	1				
5			SB120001800			BEARING	1				
6			SM8060812TP			SCREW M6 L=8	2				
7			40112240			SAFETY_REVERSE_BUTTON	1				
8			B1639051000			SPRING	1				
9			RE0500000K0			E-RING	1				
10			21387600			SAFETY CLUTCH HOOK	1				
11			21387709			SAFETY CLUTCH SPRING	1				
12			21387808			SAFETY BASE	1				
13			21387907			ADJUSTING PIN (1.2)	1				
14			40125862			LOWER_SHAFT_SPROCKET	1				
15			40126366			CLUTCH_BASE	1				
16			B1308055000			SAFETY CLUTCH COUNT	1				
17			B1310055000			SAFETY CLUTCH SMALL I	1				
18			B1314055000			SAFETY CLUTCH SMALL I	1				
19			40113224			COUNTER HOOK SPRING	1				
20			SD0640322TP			HINGE SCREW D=6.35 H=3.	2				
21			SM1061201SN			SCREW M6 L=12	2				
22			SS8111010TP			SCREW 11/64-40 L=9.5	1				
23			SS8660612TP			SCREW 1/4-40 L=6	2				
24			40130042			LOWER_SHAFT_A	1				
25			40130043			LOWER_SHAFT_B	1				FOR PLC-2710,;
26			40130044			LOWER_SHAFT_C	1				FOR PLC-2760,;
27			40112253			LOWER_SHAFT_C	1				
28			40126454			LOWER_SHAFT_D	1				FOR PLC-2760,;
29			40052253			SET COLLAR	1				FOR PLC-2710,;
30			40052253			SET COLLAR	2				FOR PLC-2760,;
31			40130035			HOOK_SHAFT	1				FOR PLC-2710,;
32			40130035			HOOK_SHAFT	2				FOR PLC-2760,;
33			TA0180401M0			NEEDLE COOLER PLUG C	1				FOR PLC-2710,;
34			TA0180401M0			NEEDLE COOLER PLUG C	2				FOR PLC-2760,;
35			RC2351018KP			RETAINIG PIN 23.5	2				FOR PLC-2710,;
36			RC2351018KP			RETAINIG PIN 23.5	4				FOR PLC-2760,;
37			G1216870000			UPPER SHAFT REAR BEAR	1				
38			SB108000400			BUSHING	1				FOR PLC-2710,;
39			SB108000400			BUSHING	2				FOR PLC-2760,;
40			CS0800881TP			THRUST COLLAR	1				FOR PLC-2710,;
41			CS0800881TP			THRUST COLLAR	2				FOR PLC-2760,;
42			40130036			BUSHING	1				FOR PLC-2710,;
43			40130036			BUSHING	2				FOR PLC-2760,;
44			SB115001000			ROLLING BEARING	1				
45			SM6040650TP			SCREW	2				
46			SM6061802TP			SCREW M6 L=18	2				FOR PLC-2710,;
47			SM6061802TP			SCREW M6 L=18	4				FOR PLC-2760,;
48			SM8050412TP			SCREW M5 L=4	4				FOR PLC-2710,;
49			SM8050412TP			SCREW M5 L=4	8				FOR PLC-2760,;
50			SM80506A2TP			SCREW M5 L=6	2				FOR PLC-2710,;
51			SM80506A2TP			SCREW M5 L=6	4				FOR PLC-2760,;
52			SM6051402TP			SCREW M5X0.8 L=14	1				FOR PLC-2710,;
53			SM6051402TP			SCREW M5X0.8 L=14	2				FOR PLC-2760,;
54			40139042			WASHER	2				FOR PLC-2710,;
55			40139042			WASHER	4				FOR PLC-2760,;
56			40126372			LOWER_SHAFT_GEAR	1				FOR PLC-2710,;
57			40126372			LOWER_SHAFT_GEAR	2				FOR PLC-2760,;
58			40112242			HOOK_SHAFT_GEAR	1				FOR PLC-2710,;
59			40112242			HOOK_SHAFT_GEAR	2				FOR PLC-2760,;
60			SB108000400			BUSHING	1				FOR PLC-2710,;

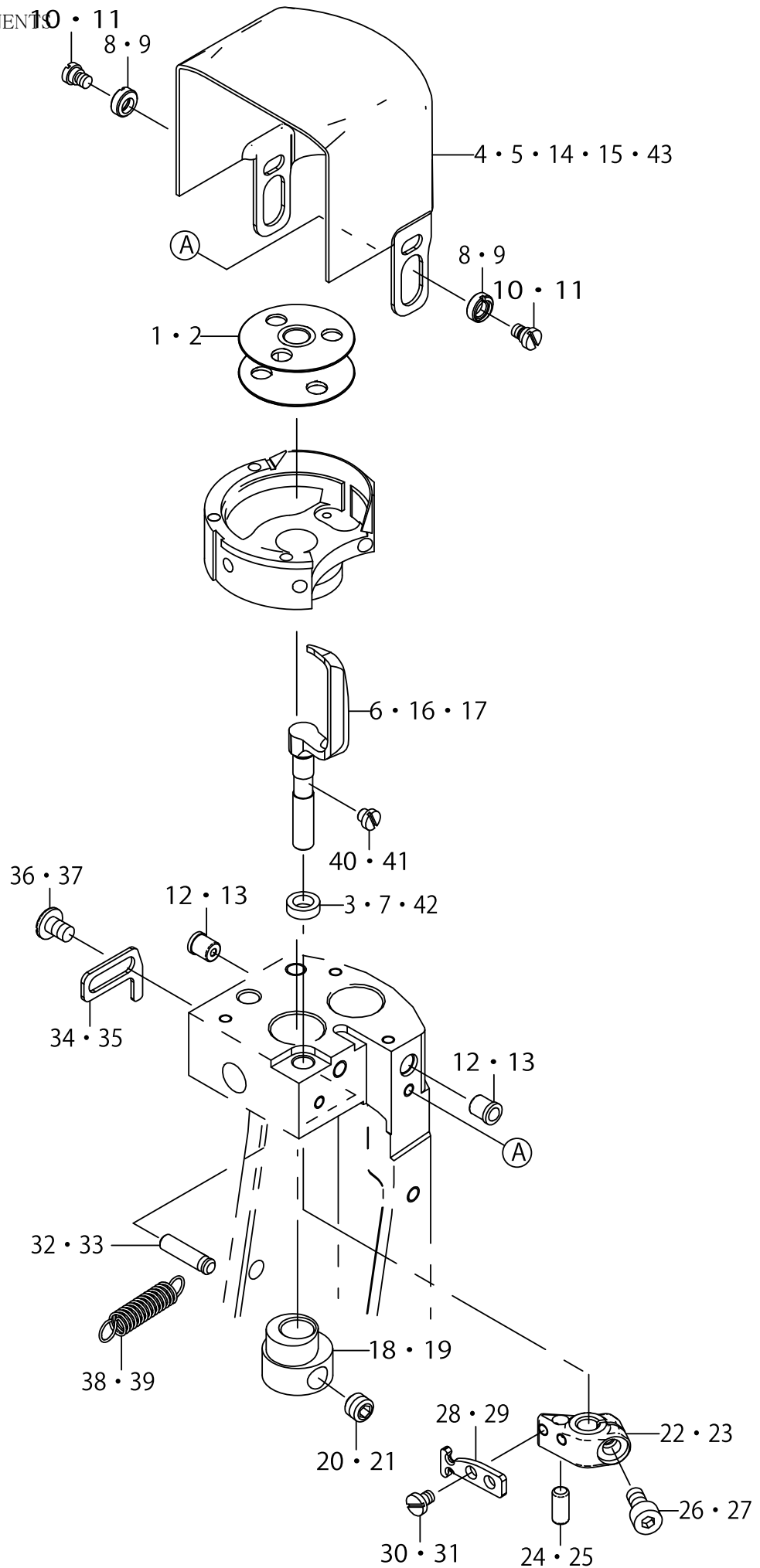
LOWER SHAFT COMPONENTS



LOWER SHAFT COMPONENTS

No.	C- ons	Le- vel	Parts No.	Replacement	Supply Code	Parts name	Qty	R- ep- Q- TY	Status	Spec	Remarks
61			SB108000400			BUSHING	2				FOR PLC-2760,;
62			40126455			HOOK_SHAFT_BASE_COVE	1				FOR PLC-2760,;
63			SM6040650TP			SCREW	2				FOR PLC-2760,;
64			SB115002200			BEARING	1				FOR PLC-2760,;
65			TA0620504R0			CAP	2				FOR PLC-2710,;
66			TA0620504R0			CAP	4				FOR PLC-2760,;
67			B122177100A			HIGH SPEED WASHER FOR	1				SELECTIVE PAF
68			B122177100B			MAIN SHAFT THRUST WAS	1				SELECTIVE PAF
69			B125578100C			WASHER C	1				SELECTIVE PAF
70			B122177100D			MAIN SHAFT THRUST WAS	1				SELECTIVE PAF
71			B122177100E			MAIN SHAFT THRUST WAS	1				SELECTIVE PAF
72			B122177100F			MAIN SHAFT THRUST WAS	1				SELECTIVE PAF
73			B122177100G			WASHER T=1.1	1				SELECTIVE PAF
74			B122177100H		Disconinue	WASHER T=1.3	1				SELECTIVE PAF
75			B255728000A			WASHER FOR DRIVING AR	1				SELECTIVE PAF
76			B255728000B			WASHER	1				SELECTIVE PAF
77			B255728000C			WASHER	1				SELECTIVE PAF
78			B255728000D			WASHER D	1				SELECTIVE PAF
79			B255728000E			WASHER	1				SELECTIVE PAF
80			40133882			HOOK_SHAFT_BASE_R_ASM	1				
81			40133883			HOOK_SHAFT_BASE_L_ASM	1				FOR PLC-2760,;
82			40138418			WASHER T=1.3	1				SELECTIVE PAF
83			40138419			WASHER T=1.4	1				SELECTIVE PAF
84			40138420			WASHER T=1.5	1				SELECTIVE PAF
85			40138421			WASHER T=1.6	1				SELECTIVE PAF
86			40138422			WASHER T=1.7	1				SELECTIVE PAF
87			40138423			WASHER T=1.8	1				SELECTIVE PAF

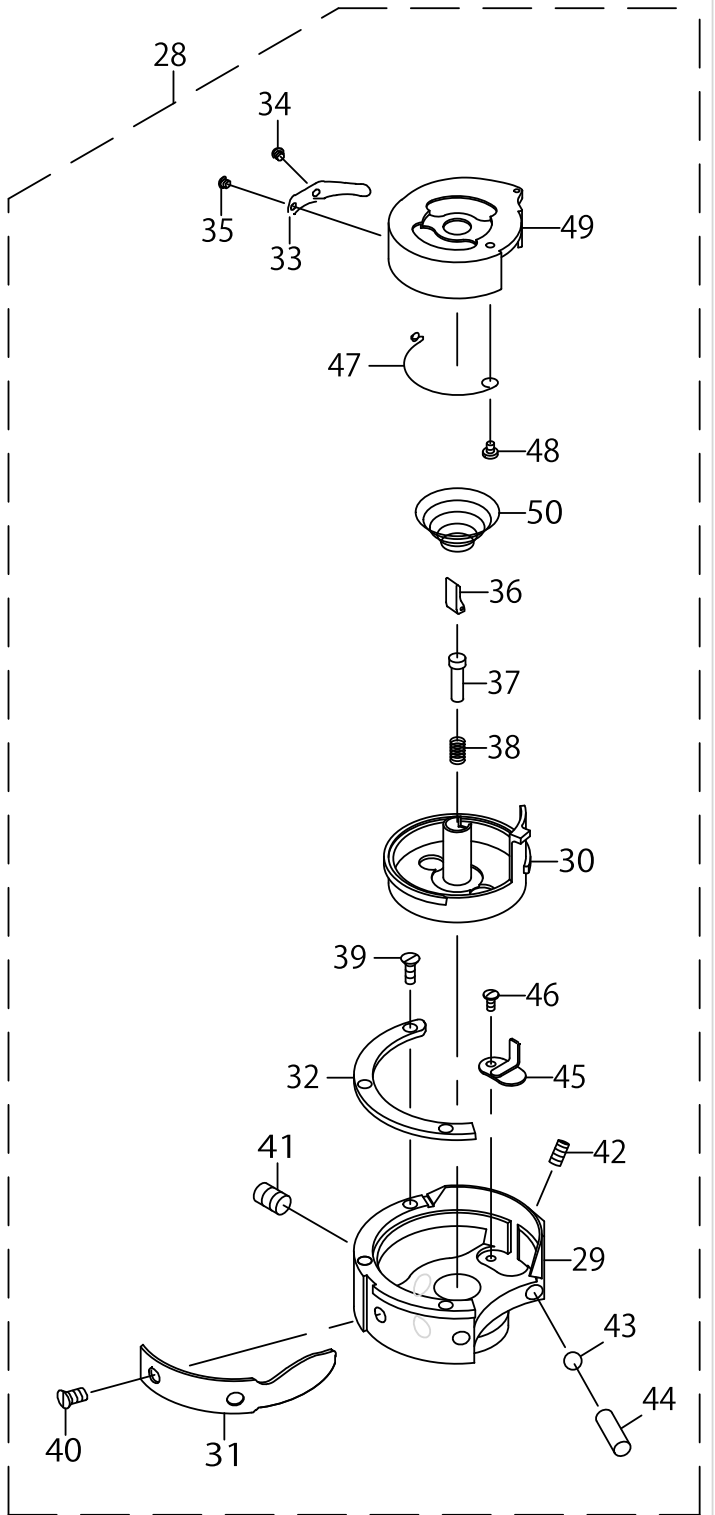
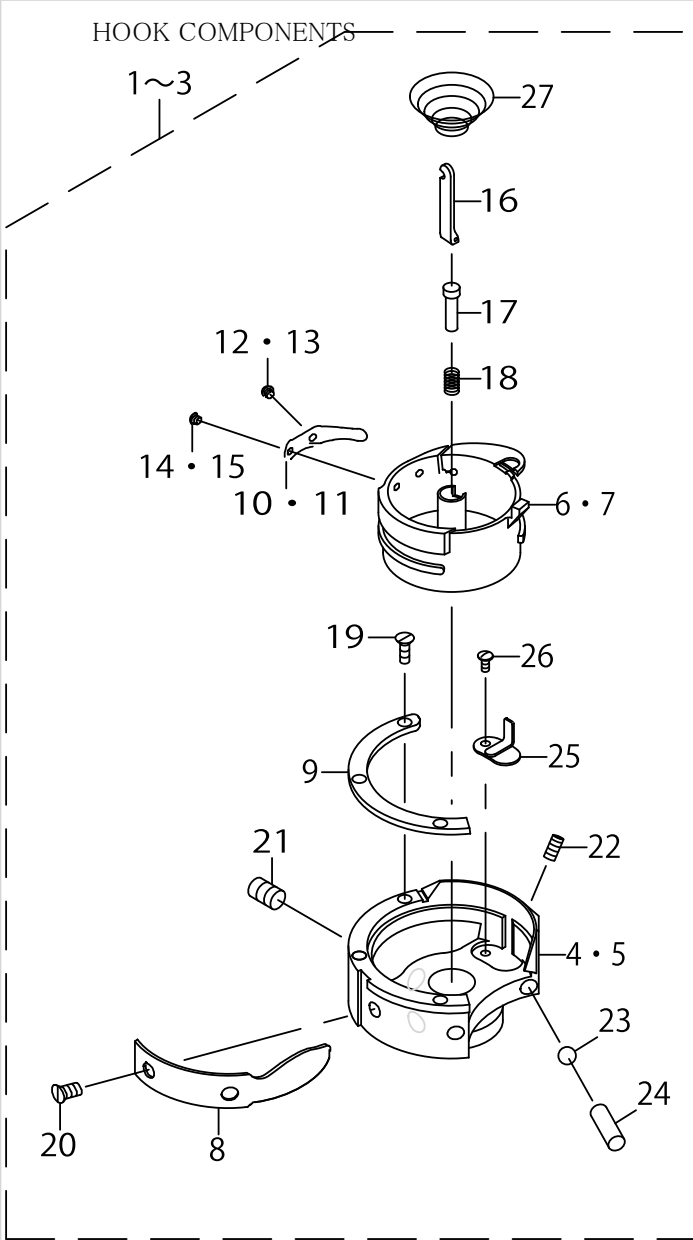
OPENER COMPONENTS 10 · 11



OPENER COMPONENTS

No.	C- ons	Le- vel	Parts No.	Replacement	Supply Code	Parts name	Qty	R- ep. Q- TY	Status	Spec	Remarks
1	☆		21334800			ALUMINUM BOBBIN WITH	1				FOR PLC-2710,;
2	☆		21334800			ALUMINUM BOBBIN WITH	2				FOR PLC-2760,;
3			40134531			SPACER	2				FOR PLC-2760,;
4			40137886			HOOK_COVER ASM.	1				FOR PLC-2710
5			40137886			HOOK_COVER ASM.	2				FOR PLC-2760,;
6			40137923			OPENER 2765	1				FOR PLC-2765
7			40134531			SPACER	1				FOR PLC-2710
8			23007503			ECCENTRIC ROLLER	2				FOR PLC-2710,;
9			23007503			ECCENTRIC ROLLER	4				FOR PLC-2760,;
10			23007602			HINGE SCREW	2				FOR PLC-2710,;
11			23007602			HINGE SCREW	4				FOR PLC-2760,;
12			40130048			BALL_PLUNGER	2				FOR PLC-2710,;
13			40130048			BALL_PLUNGER	4				FOR PLC-2760,;
14			40130040			HOOK_COVER	1				FOR PLC-2710-
15			40130040			HOOK_COVER	2				FOR PLC-2760-
16	☆		40130027			OPENER	1				FOR PLC-2710,;
17	☆		40130027			OPENER	2				FOR PLC-2760,;
18			40130031			OPENER_CAM	1				FOR PLC-2710,;
19			40130031			OPENER_CAM	2				FOR PLC-2760,;
20			SM8060552TP			SCREW M6 L=5	1				FOR PLC-2710,;
21			SM8060552TP			SCREW M6 L=5	2				FOR PLC-2760,;
22			40130028			OPENER_ARM	1				FOR PLC-2710,;
23			40130028			OPENER_ARM	2				FOR PLC-2760,;
24			B3019816000			PIN	1				FOR PLC-2710,;
25			B3019816000			PIN	2				FOR PLC-2760,;
26			SM6040802TP			SCREW M4X0.7 L=8	1				FOR PLC-2710,;
27			SM6040802TP			SCREW M4X0.7 L=8	2				FOR PLC-2760,;
28			40130030			SPRING_RACK	1				FOR PLC-2710,;
29			40130030			SPRING_RACK	2				FOR PLC-2760,;
30			SM6030450TP			SCREW M3 L=4	2				FOR PLC-2710,;
31			SM6030450TP			SCREW M3 L=4	4				FOR PLC-2760,;
32			18219105			DW PIN 4X16	1				FOR PLC-2710,;
33			18219105			DW PIN 4X16	2				FOR PLC-2760,;
34			40131586	40163259		H_C_STOPPER	1	1.00			FOR PLC-2710,;
34			40131586	40163121		H_C_STOPPER	1	1.00			FOR PLC-2710,;
35			40131586	40163259		H_C_STOPPER	2	1.00			FOR PLC-2760,;
35			40131586	40163121		H_C_STOPPER	2	1.00			FOR PLC-2760,;
36			SM6040650TP			SCREW	2				FOR PLC-2710,;
37			SM6040650TP			SCREW	4				FOR PLC-2760,;
38			40133718			SPRING	1				FOR PLC-2710,;
39			40133718			SPRING	2				FOR PLC-2760,;
40			SS6080320SP			SCREW 1/8-44 L=2.5	1				FOR PLC-2710,;
41			SS6080320SP			SCREW 1/8-44 L=2.5	2				FOR PLC-2760,;
42			40137930			SPACER	2				FOR PLC-2765
43			40141066			HOOK_COVER_ASM.B	2				FOR PLC-2765

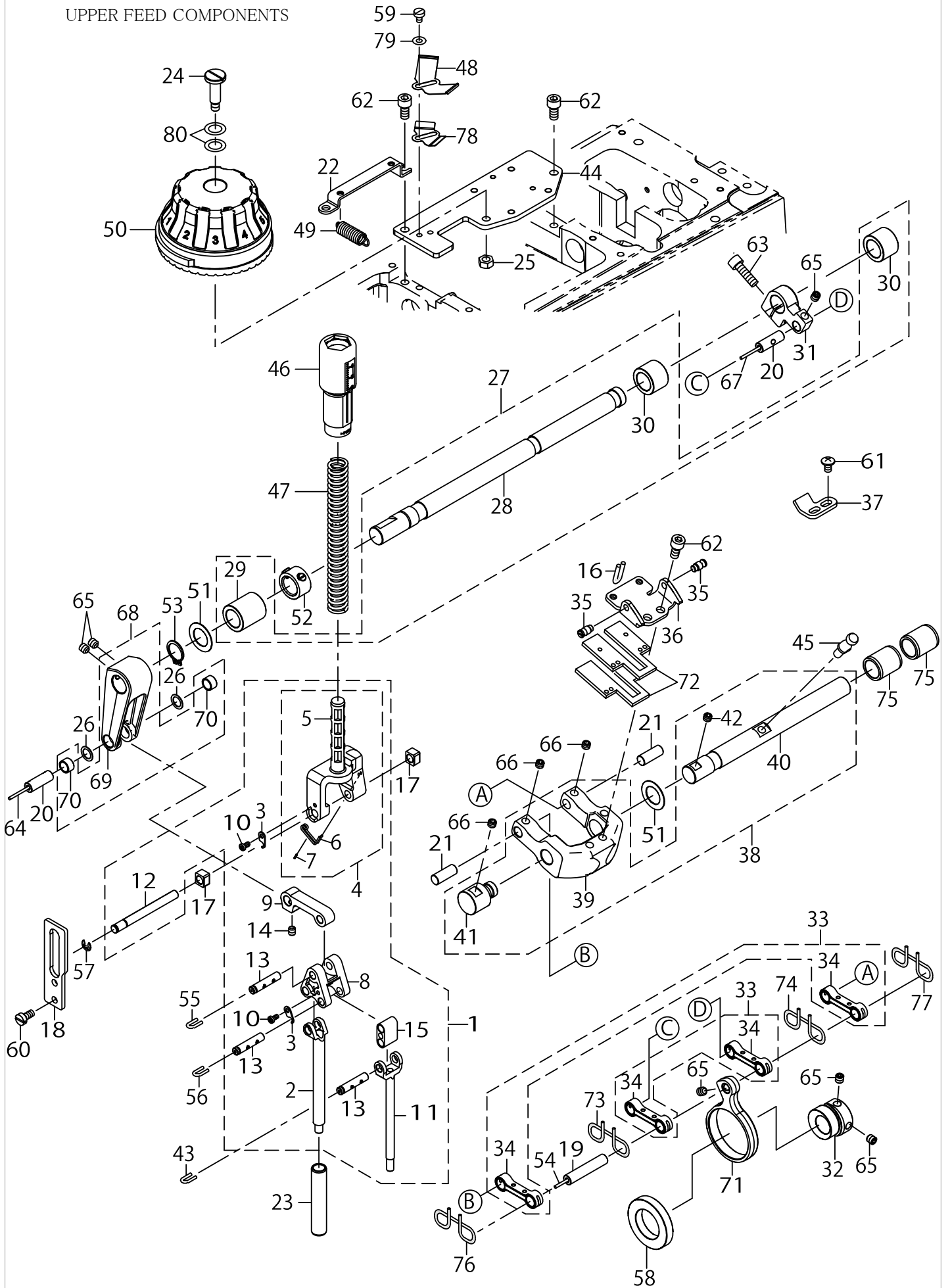
HOOK COMPONENTS



HOOK COMPONENTS

No.	C- ons	Le- vel	Parts No.	Replacement	Supply Code	Parts name	Qty	R- ep. Q- TY	Status	Spec	Remarks
1			40130034			TRM_HOOK_ASM.	1				FOR PLC-2710-
2			40126399			HOOK_ASM.	1				FOR PLC-2710,;
3			40138461			HOOK_ASM.	1				FOR PLC-2760L
4		*	40148039			OUTER_HOOK	1				FOR PLC-2710-
5		*	40148031			OUTER_HOOK	1				FOR PLC-2710,;
6		*	40148041			INNER_HOOK	1				FOR PLC-2710-
7		*	40148032			INNER_HOOK	1				FOR PLC-2710,;
8		*	40079896			NEEDLE HOLDER	1				
9		*	40148033			INNER_HOOK_HOLDER	1				
10		*	40079898			TENTION_SPRING	1				FOR PLC-2710-
11		*	40148034			TENTION_SPRING	1				FOR PLC-2710,;
12		*	40079899			ADJUSTING_SCREW	1				FOR PLC-2710-
13		*	40148035			ADJUSTING_SCREW	1				FOR PLC-2710,;
14		*	40079900			TENTION_SPRING_SETSCRE	1				FOR PLC-2710-
15		*	40148036			TENTION_SPRING_SETSCRE	1				FOR PLC-2710,;
16		*	40079901			BOBBIN_PRESSER	1				
17		*	40079902			PRESSER LIFTER	1				
18		*	40079903			PRESSER LIFTER SPRING	1				
19		*	40079904			INNER_HOOK_HOLDER SET	3				
20		*	40079905			NEEDLE HOLDER SETSCRE	2				
21		*	40075542			OUTER_HOOK_SETSCREW	2				
22		*	40079909			NEEDLE HOLDER ADJUSTI	1				
23		*	40148037			BALL	1				
24		*	40148038			SLIDE_PIN	1				
25		*	40075548			OIL_COVER	1				
26		*	40075547			OIL_COVER_SETSCREW	1				
27		*	40079912			IDLING PRIVENTION SPRIN	1				
28			40134795			HOOK_ASM_65	1				FOR PLC-2765
29		*	40148031			OUTER_HOOK	1				
30		*	40148042			INNER_HOOK	1				
31		*	40079896			NEEDLE HOLDER	1				
32		*	40148033			INNER_HOOK_HOLDER	1				
33		*	40148043			TENTION_SPRING	1				
34		*	40148035			ADJUSTING_SCREW	1				
35		*	40148036			TENTION_SPRING_SETSCRE	1				
36		*	40148044			BOBBIN_PRESSER	1				
37		*	40079902			PRESSER LIFTER	1				
38		*	40079903			PRESSER LIFTER SPRING	1				
39		*	40079904			INNER_HOOK_HOLDER SET	3				
40		*	40079905			NEEDLE HOLDER SETSCRE	2				
41		*	40075542			OUTER_HOOK_SETSCREW	2				
42		*	40079909			NEEDLE HOLDER ADJUSTI	1				
43		*	40148037			BALL	1				
44		*	40148038			SLIDE_PIN	1				
45		*	40075548			OIL_COVER	1				
46		*	40075547			OIL_COVER_SETSCREW	1				
47		*	40148045			ABSORPTION_SPRING	1				
48		*	40148046			ABSORPTION_SPRING_SCRE	1				
49		*	40148047			CAP	1				
50		*	40079912			IDLING PRIVENTION SPRIN	1				

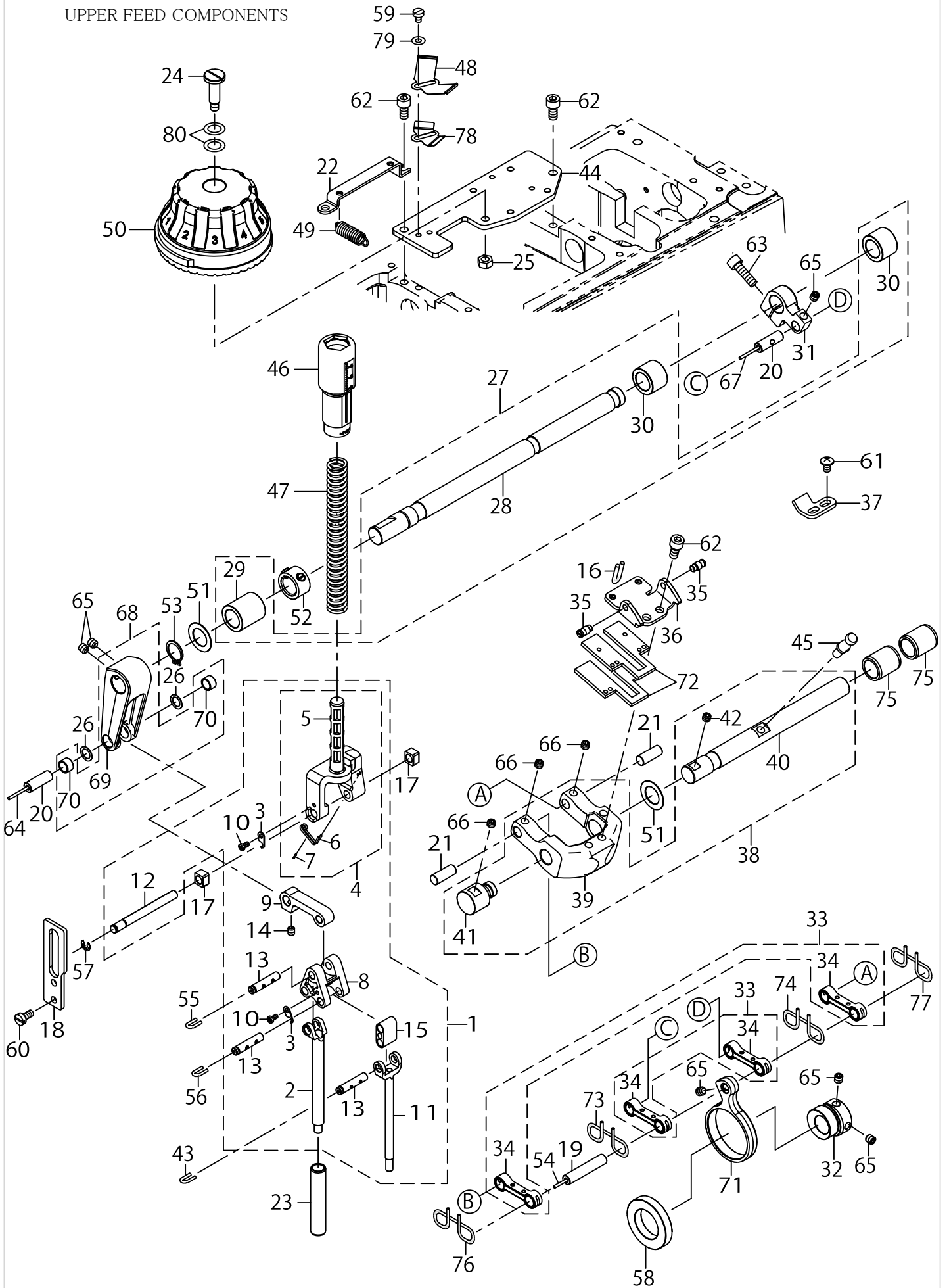
UPPER FEED COMPONENTS



UPPER FEED COMPONENTS

No.	C- ons	Le- vel	Parts No.	Replacement	Supply Code	Parts name	Qty	R- ep- Q- TY	Status	Spec	Remarks
1			40126167	40144289		UPPER_FEED_F_ASM_E	1	1.00			
1			40126167	40144283		UPPER_FEED_F_ASM_E	1	1.00			
2		*	40125861			PRESSURE_BAR_E	1				
3		*	10710804			TRIANGLE LEVER SHAFT S	2				
4		*	40133609	40126167		SPRING RECEIVING E ASM	1	1.00			
5		*	40123664	40126167		SPRING_RECEIVING_E	1	1.00			
6		*	40133608			LIFTER GUARD	1				
7		*	PS0100052KP			SPRING PIN	1				
8		*	40125852			TRIANGULAR_LEVER	1				
9		*	40125854			UPPER_FEED_LINK_A	1				
10		*	SM4030601SN			SCREW M3X6	2				
11		*	40125937			WALKING_BAR_E	1				
12		*	40126166			PRESSER_BAR_GUIDE_SHAF	1				
13		*	40112176			CONNECTION_PIN	3				
14		*	SM8050612TP			SCREW M5X6	1				
15		*	40123665			WALKING_BAR_DRIVING_LI	1				
16			CQ202000000			OIL WICK	.1				
17			40090058			SLIDE BLOCK	2				
18			40125943			PRESSER ROD GUIDE	1				
19			40112118			FEED ROD PIN	1				
20			40123634			ROCKING_LINK_PIN	2				
21			40126375			FEED_ADJUSTING_PIN_A	2				
22			40125867			SPRING_HOOK	1				
23			40135014			PRESSER BAR BUSHING	1				
24			SD0802126TP	40082079		SHOULDER SCREW D=8 H=	1	1.00			
25			NM6060001SD			NUT M6	1				
26			E2613700000			WASHER	2				
27			40123319			UPPER_FEED_SHAFT_ASM.	1				
28		*	40123262			UPPER_FEED_SHAFT	1				
29		*	40123320	40123319		UPPER_FEED_SHAFT_META	1	1.00			
30		*	40123321	40123319		UPPER_FEED_SHAFT_META	1	1.00			
31			40126160			UPPER_FEED_REAR_ARM	1				
32			40126390			UPPER_FEED_CAM	1				
33			40126338			CONNECTION_LINK_ASM.	1				
34		*	40126223	40126338		CONNECTION_LINK	1	1.00			
35			40038494			THREAD_BIND_ARM_SPRING	2				
36			40126269			CHANGE_BASE_SPRING_RA	1				
37			40126264			CHANGE_BASE_STOPPER	1				
38			40123416			UPPER_FEED_CHANGE_BAS	1				
39		*	40123414	40123416		UPPER_FEED_CHANGE_BAS	1	1.00			
40		*	40123555	40123416		UF_CHANGE_BASE_SHAFT	1	1.00			
41		*	40123415	40123416		UF_CHANGE_BASE_SUPPOF	1	1.00			
42		*	SM8060552TP			SCREW M6 L=5	1				
43			CQ252000000			OIL WICK	.048				
44			40125868			INSTALLING_PLATE	1				
45			40126374			VERTICAL_ADJUSTING_PIN	1				
46			40125926			PRESSER_ADJUSTING_SCRE	1				
47			40112197			PRESSER_SPRING	1				
48			40112199			LEAF_SPRING	1				
49			40126400			SPRING	2				
50			40125850			VERTICAL_DIAL(VE)	1				
51			D1231555B00			WASHER	2				
52			22904155			MAIN SHAFT THRUST COL	1				
53			RC0150001KP			RETAINING RING 13.8	1				
54			CQ202000000			OIL WICK	.042				
55			CQ252000000			OIL WICK	.048				
56			CQ252000000			OIL WICK	.048				
57			RE0400000K0			E-RING 4	1				
58			SB125000600			BEARING	1				
59			SM6040650TP			SCREW	2				

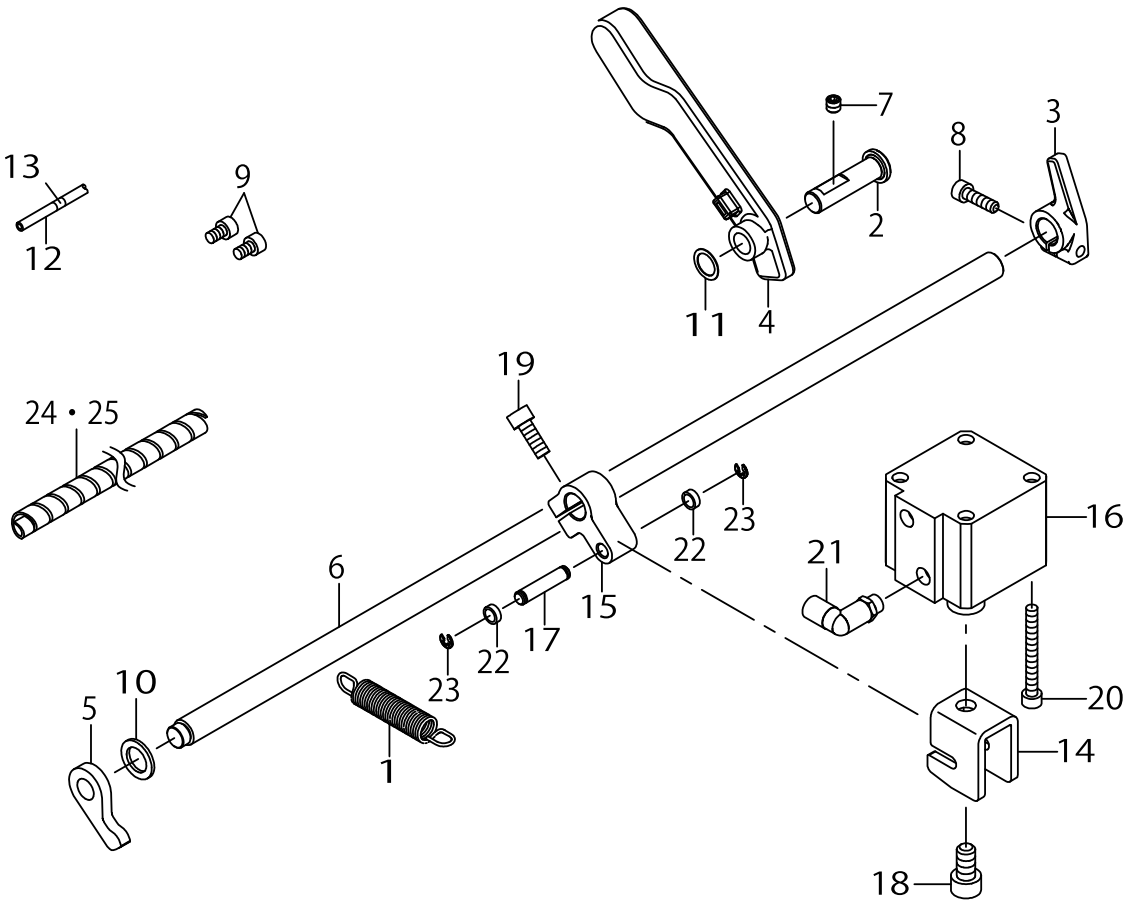
UPPER FEED COMPONENTS



UPPER FEED COMPONENTS

No.	C- ons	Le- vel	Parts No.	Replacement	Supply Code	Parts name	Qty	R- ep. Q- TY	Status	Spec	Remarks
60			SM6051000SP			SCREW	2				
61			SM0050801SC			SCREW	2				
62			SM6061202TP			SCREW M6 L=12	5				
63			SM6062002TP			SCREW M6 L=20	1				
64			CQ202000000			OIL WICK	.02				
65			SM8060612TP			SCREW M6 L=6	6				
66			SM8060552TP			SCREW M6 L=5	3				
67			CQ202000000			OIL WICK	.02				
68			40126159			UPPER_FEED_FRONT_ARM_	1				
69	*		40126157	40126159		UPPER_FEED_FRONT_ARM_	1	1.00			
70	*		40126158	40126159		UPPER_FEED_FRONT_ARM_	2	1.00			
71			40125876			UPPER_FEED_CAM_ROD	1				
72			40123345			FELT	2				
73			CQ202000000			OIL WICK	.25				
74			CQ202000000			OIL WICK	.25				
75			22913008			FEED ROCKER SHAFT BUS	2				
76			CQ202000000			OIL WICK	.25				
77			CQ202000000			OIL WICK	.25				
78			40154199			LEAF_SPRING_ADJSTING_PL	1				
79			WP0430800SD			WASHER M4	4				
80			40023627			PRESSER PLATE SHEET W/	2				

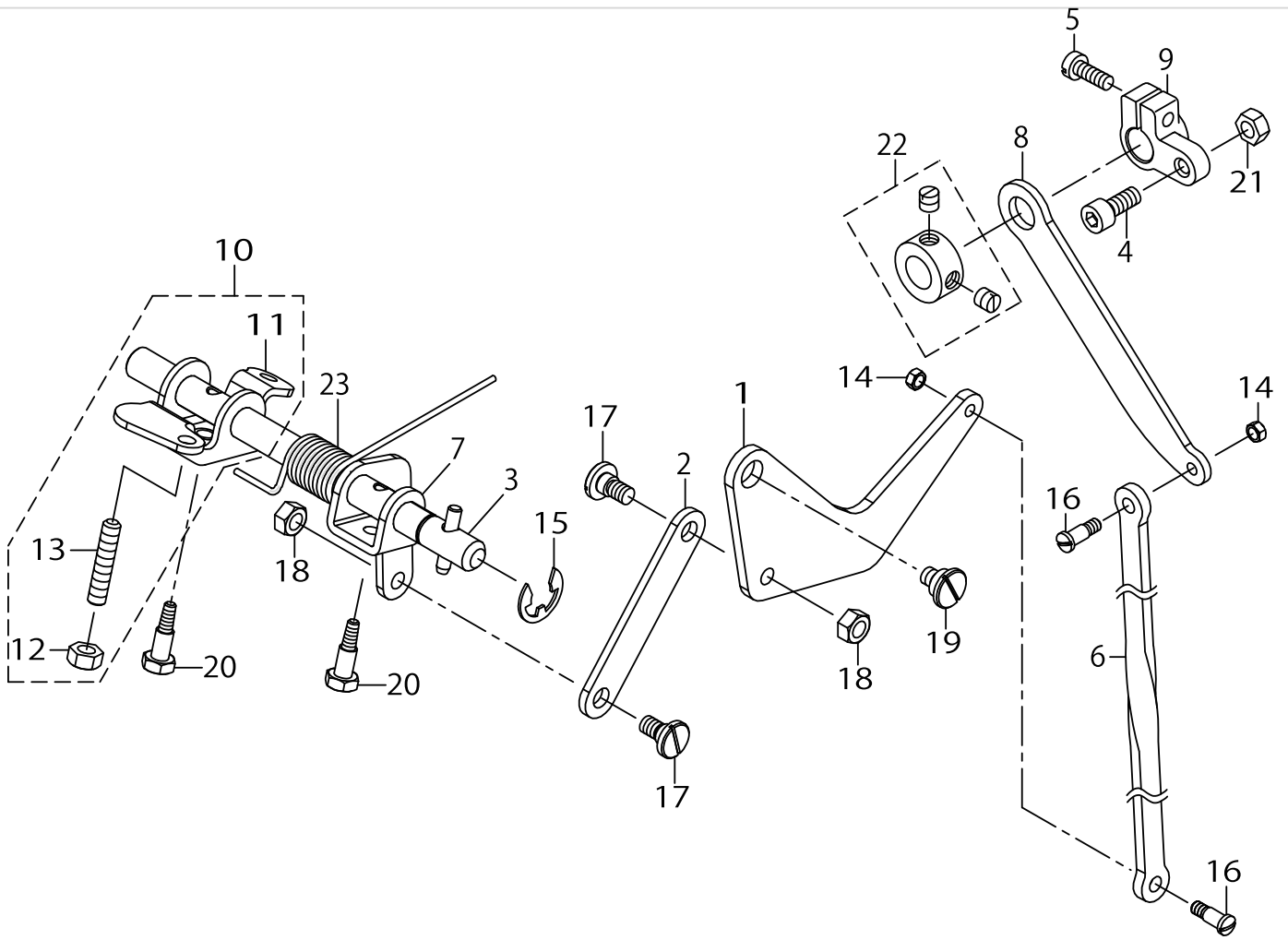
HAND LIFTER & AUTO LIFTER COMPONENTS



HAND LIFTER & AUTO LIFTER COMPONENTS

No.	C- ons	Le- vel	Parts No.	Replacement	Supply Code	Parts name	Qty	R- ep- Q- TY	Status	Spec	Remarks
1			40126367			SPRING	1				
2			40006716			THREAD_TRIMMER_SHAFT	1				
3			40112184			LIFTER_LEVER_A	1				
4			40126150			LIFTER_LEVER_B	1				
5			40125870	40144283		LIFTER_PLATE	1	1.00	選択部品	LU-28*S用	
5			40125870	40144288		LIFTER_PLATE	1	1.00	選択部品	LU-28*S用	
5			40125870	40144283		LIFTER_PLATE	1	1.00	選択部品	LU-28*A用	
5			40125870	40144289		LIFTER_PLATE	1	1.00	選択部品	LU-28*A用	
6			40126364			LIFTER_SHAFT	1				
7			SM8060612TP			SCREW M6 L=6	1				
8			SM6051802TP			SCREW M5 L=18	1				
9			SM6050802TP			SCREW M5X0.8 L=8	2				
10			13409107			WASHER	1				
11			WZ1052010KP			WAVED WASHER	1				
12			BT0400251EB			URETHANE HOSE BLACK	.62				FOR PLC-2710-
13			18035907			WIRE MARK (10)	2				FOR PLC-2710-
14			40112187			KNUCKLE_JOINT_A	1				FOR PLC-2710-
15			40112188			LIFTING_ARM	1				FOR PLC-2710-
16			PA400150200			AIR CYLINDER	1				FOR PLC-2710-
17			22949101			ROLLER_FULCRUM_SHAFT	1				FOR PLC-2710-
18			SM6081552TP			SCREW M8 L=15	1				FOR PLC-2710-
19			SM6061602TP			SCREW M6 L=16	1				FOR PLC-2710-
20			SM6054502TN			SCREW M5 L=45	4				FOR PLC-2710-
21			PJ304045102			ELBOW UNION C	1				FOR PLC-2710-
22			13951009			PRESSER FOOT ROLLER	2				FOR PLC-2710-
23			RE0400000K0			E-RING 4	2				FOR PLC-2710-
24			HX003140000			SPIRAL TABE	.1				FOR PLC-2710(
25			HX00314000A			SPIRAL TUBE	.1				FOR PLC-2710(

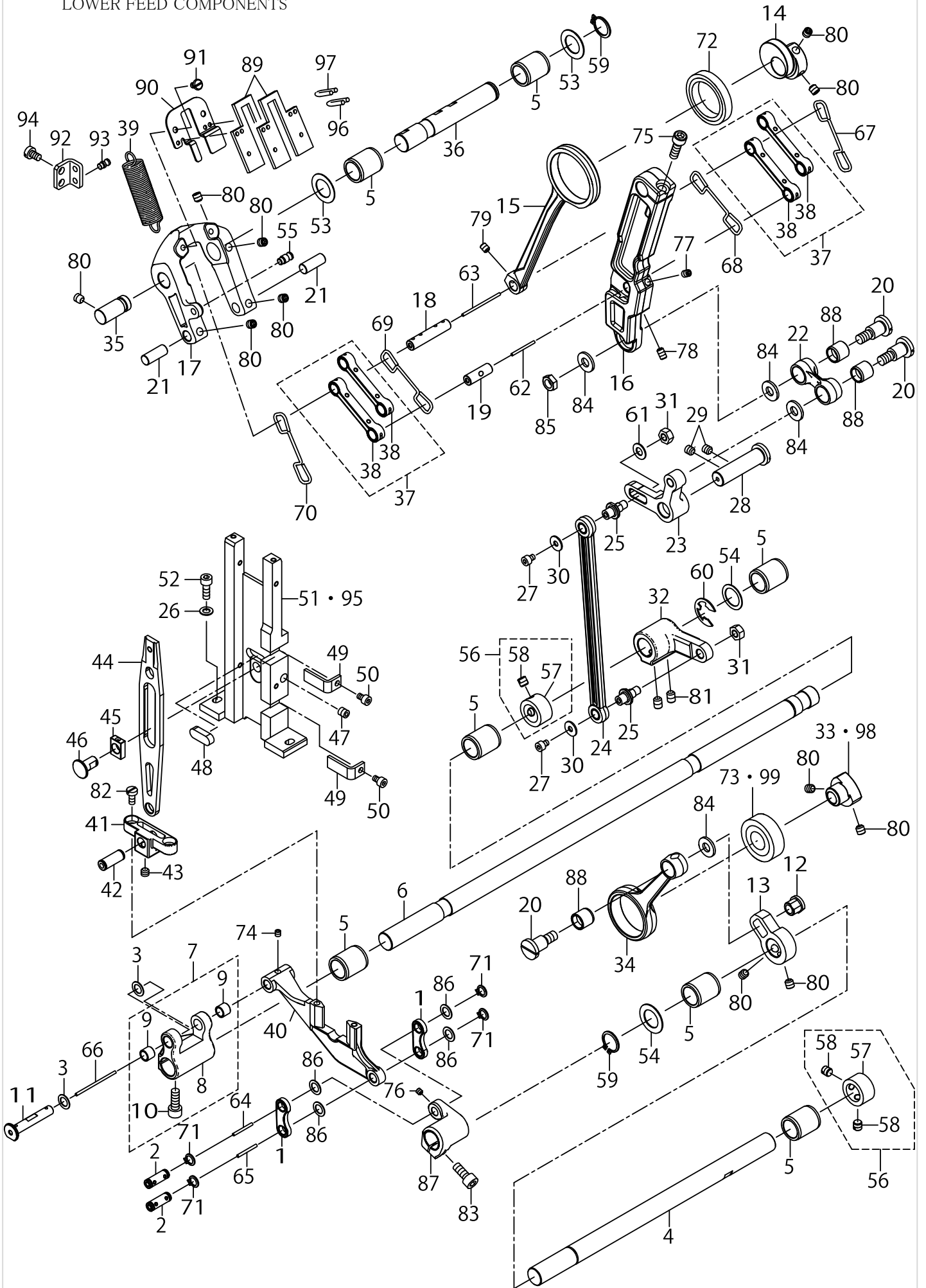
KNEE LIFTER COMPONENTS (FOR PLC-2710,2760,2760L,2765)



KNEE LIFTER COMPONENTS (FOR PLC-2710,2760,2760L,2765)

No.	C- ons	Le- vel	Parts No.	Replacement	Supply Code	Parts name	Qty	R- ep- Q- TY	Status	Spec	Remarks
1			40126270			KNEE_PAD_LINK_A	1				
2			40126271			KNEE_PAD_LINK_B	1				
3			40126356			KNEE_LIFTER_SHAFT_ASM.	1				
4			SM6051202TP			SCREW M5X0.8 L=12	1				
5			SM6051400SP			SCREW	1				
6			40130019			KNEE_PAD_LINK	1				
7			40126273			KNEE_PAD_DRIVING_ARM	1				
8			40126274			KNEE_PAD_LINK_C	1				
9			40112127			BACKWARD_FEED_CONNE	1				
10			22932156			KNEE LIFTER ROTATION /	1				
11		*	22932107	22932156		KNEE LIFTING ROTATING	1	1.00			
12		*	NM6060001SE			NUT M6	2				
13		*	SM8063012TR			SCREW M6 L=30	2				
14			NS6110310SP			NUT 11/64-40	2				
15			RE1000000K0			E-RING 10	1				
16			SD0500803TP			HINGE SCREW D=5 H=8	2				
17			40082078			SHOULDER SCREW D=7.24	2				
18			NM6060001SE			NUT M6	2				
19			SD1000406TP			SHOULDER SCREW	1				
20			SM9061853SR			SCREW M6 L=17.5	2				
21			NM6050001SD			NUT M5X0.8	1				
22			CS1201010SH			THRUST COLLAR ASM. D=	1				
23			23639503			SPRING	1				

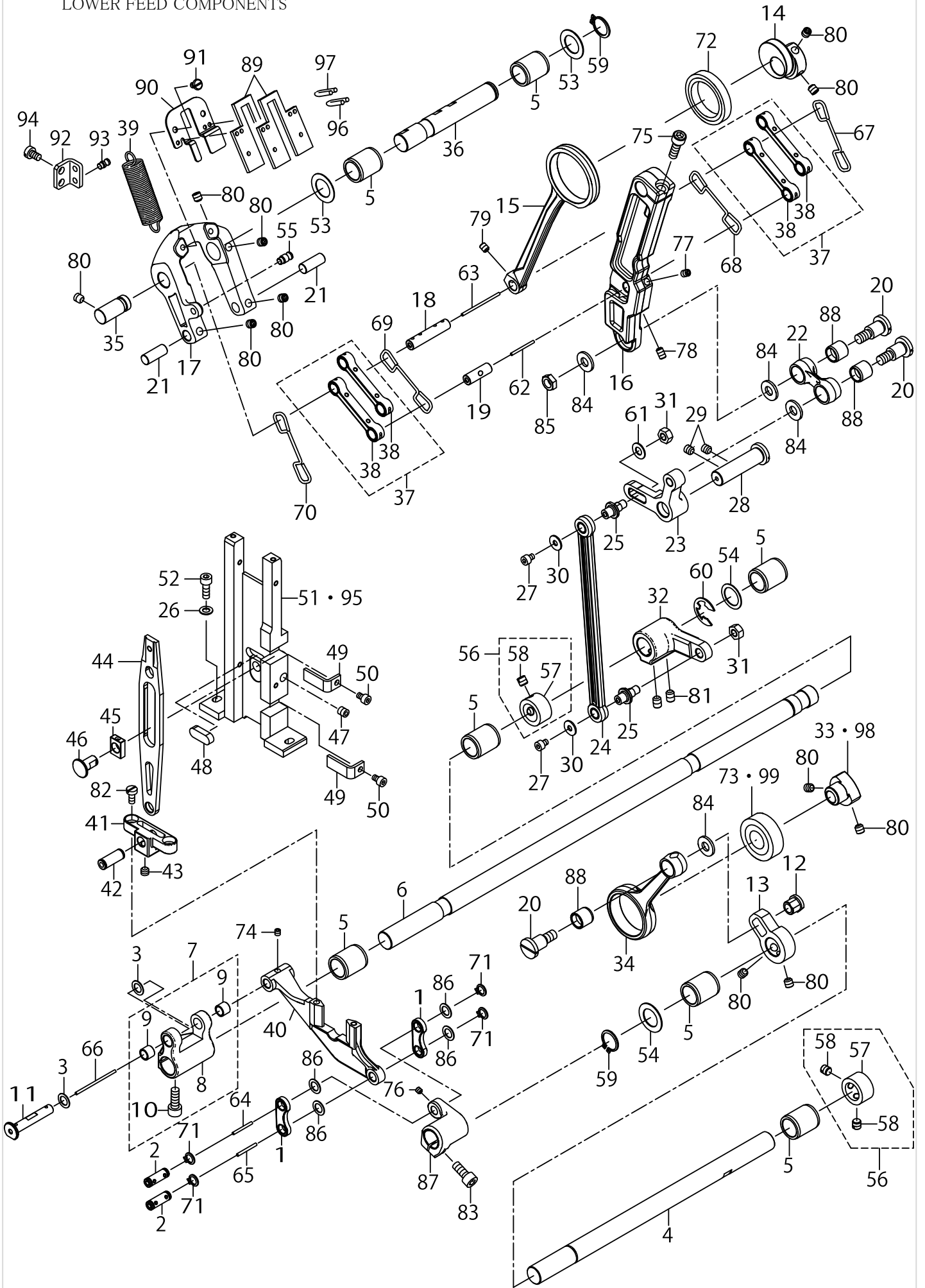
LOWER FEED COMPONENTS



LOWER FEED COMPONENTS

No.	C- ons	Le- vel	Parts No.	Replacement	Supply Code	Parts name	Qty	R- ep- Q- TY	Status	Spec	Remarks
1			40130013			VERTICAL_LINK	2				
2			10718906			VERTICAL FEED LINK SHA	2				
3			WP0740516SP			WASHER 7.4X11.8X0.5	2				
4			40123667			VERTICAL_FEED_LINK	1				
5			22913008			FEED ROCKER SHAFT BUS	7				
6			40126386			HORIZONTAL_FEED_SHAFT	1				
7			40130011			FEED_BASE_ARM_ASM.	1				
8		*	40130010			FEED_BASE_ARM	1				
9		*	40126163			FEED_BASE_ARM_BUSH	2				
10		*	SM6051402TP			SCREW M5X0.8 L=14	1				
11			40112098			FEED_BASE_SHAFT	1				
12			40126357			VERTICAL_FEED_ROD_NUT	1				
13			40125843			VERTICAL_FEED_ARM_REA	1				
14			40123626			HORIZONTAL_FEED_CAM	1				
15			40126151			HORIZONTAL_FEED_ROD	1				
16			40123547			NEEDLE_BAR_ROCKING_LIN	1				
17			40137553			HORIZONTAL_FEED_CHAN	1				
18			40112118			FEED.ROD.PIN	1				
19			40123634			ROCKING_LINK_PIN	1				
20			SD1021251SP			SHOULDER SCREW D=10.2	3				
21			40126375			FEED_ADJUSTING_PIN_A	2				
22			40125856			CONNECTION_LINK	1				
23			40130007			LOWER_FEED_CONNECTIN	1				
24			40131952			CONNECTING_ROD_ASSY	1				
25			40130409			FEED_ROCK_SHAFT_HINGE	2				
26			WP0550800SP			WASHER 5.5X10X0.8	2				
27			SM6040502TP			SCREW M4X0.7 L=5	2				
28			26228304			REGULATING LEVER STUD	1				
29			SM8060612TP			SCREW M6 L=6	2				
30			WP0431005SP			PLAIN WASHER	2				
31			NM6060001CP			NUT M6X1 TYPE1	2				
32			40130009			HORIZONTAL_FEED_ARM	1				
33			40123627			VERTICAL_FEED_CAM	1				FOR PLC-2710,;
34			40125857			VERTICAL_FEED_ROD	1				
35			40123639			HF_CHANGE_BASE_SUPPOF	1				
36			40123332			CHANGE_BASE_SHAFT	1				
37			40126339			CONNECTION_LINK_ASM.	2				
38		*	40123252	40126339		CONNECTION_LINK	2	1.00			
39			40126401			SPRING_B	1				
40			40131954			FEED BASE	1				
41			40130012			FEED LEVER SUPPORT	1				
42			10714103			CONNECTION LINK PIN A	1				
43			SM8060552TP			SCREW M6 L=5	1				
44			40130016			FEED_LEVER	1				
45			40130017			SLIDE_BLOCK	1				
46			10714608	40052263		CONNECTION LINK B SUPI	1	1.00			
47			SM8060612TP			SCREW M6 L=6	1				
48			40130018			FELT	1				
49			23036304			FEED LEVER SUPPORT	2				
50			SS6090612TP			SCREW 9/64-40 L=6	2				
51			40130014			FEED_LEVER_BASE_2710	1				FOR PLC-2710,;
52			SM6051402TP			SCREW M5X0.8 L=14	2				
53			D1231555B00			WASHER	2				
54			B125578100A			WASHER A	2				
55			40038494			THREAD BIND_ARM_SPRINC	1				
56			22904155			MAIN SHAFT THRUST COL	2				
57		*	22904106	22904155		MAIN SHAFT THRUST COL	1	1.00			
58		*	SS8660610TP			SCREW 1/4-40 L=6	2				
59			RC0150001KP			C-RING 15 (13.8)	2				
60			RE1200000K0			E-RING 12	1				

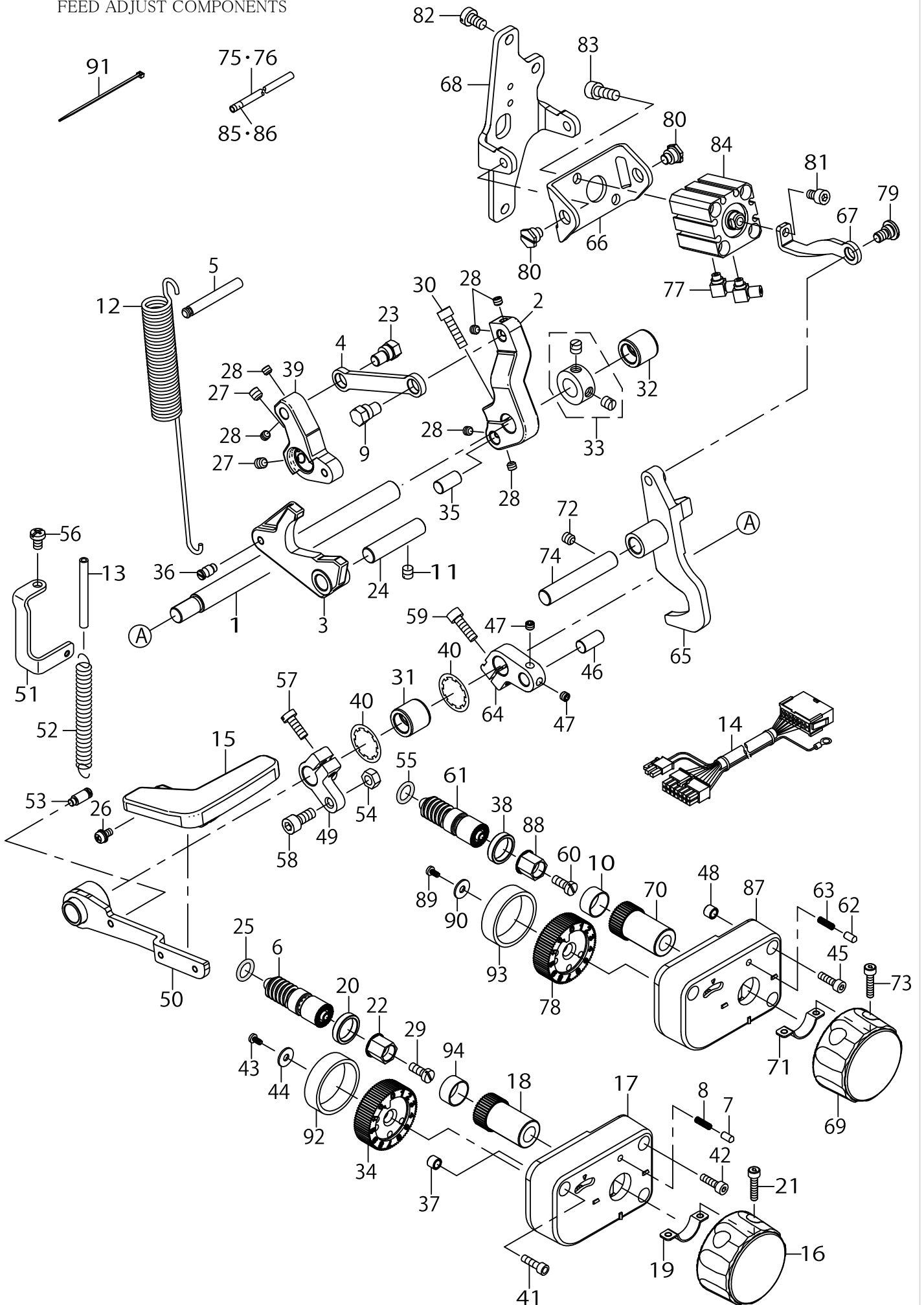
LOWER FEED COMPONENTS



LOWER FEED COMPONENTS

No.	C- ons	Le- vel	Parts No.	Replacement	Supply Code	Parts name	Qty	R- ep. Q- TY	Status	Spec	Remarks
61			WP0650876SD			WASHER 6.5X13X0.8	1				
62			CQ202000000			COTTON OIL WICK D=2	.02				
63			CQ202000000			COTTON OIL WICK D=2	.042				
64			CQ202000000			COTTON OIL WICK D=2	.024				
65			CQ202000000			COTTON OIL WICK D=2	.024				
66			CQ202000000			COTTON OIL WICK D=2	.04				
67			CQ202000000			COTTON OIL WICK D=2	.3				
68			CQ202000000			COTTON OIL WICK D=2	.3				
69			CQ202000000			COTTON OIL WICK D=2	.3				
70			CQ202000000			COTTON OIL WICK D=2	.3				
71			RC0650811KP			C-RING 7 (6.5)	4				
72			SB13000200			BEARING	1				
73			SB11500200			BEARING	1				FOR PLC-2710,;
74			SS8110422TP			SCREW 11/64-40 L=4	1				
75			SM6061802TP			SCREW M6 L=18	1				
76			SM8040412TP			SCREW M4X4	2				
77			SM8050842TP			SETSCREW	1				
78			SM8050812TP			SCREW M5X8	1				
79			SM8050612TP			SCREW M5X6	1				
80			SM8060612TP			SCREW M6 L=6	12				
81			SM8060812TP			SCREW M6 L=8	2				
82			SS6111010TP			SCREW 11/64-40 L=9.5	2				
83			SM6061402TP			SCREW M6 L=14	1				
84			26018705			WASHER	4				
85			NS6680410SP			HEXAGONAL NUT 9/32-28	1				
86			WP0740516SP			WASHER 7.4X11.8X0.5	4				
87			40125935			VERTICAL_FEED_ARM_FRO	1				
88			40126359			VERTICAL_FEED_ROD_BUS	3				
89			40123345			FELT	1				
90			40137554			FELT HOLDER	1				
91			SM6040650TP			SCREW	2				
92			40137779			SUPPORT PLATE	1				
93			40137780			SPRING RAC	1				
94			SM6050800SP			SCREW M5 L=8	2				
95			40130015			FEED_LEVER_BASE_2760	1				FOR PLC-2760,;
96			CQ202000000			OIL WICK	.05				
97			CQ202000000			OIL WICK	.05				
98			40134534			V_FEED_CAM_2.0	1				FOR PLC-2760L
99			SB117000700			BEARING	1				FOR PLC-2760L

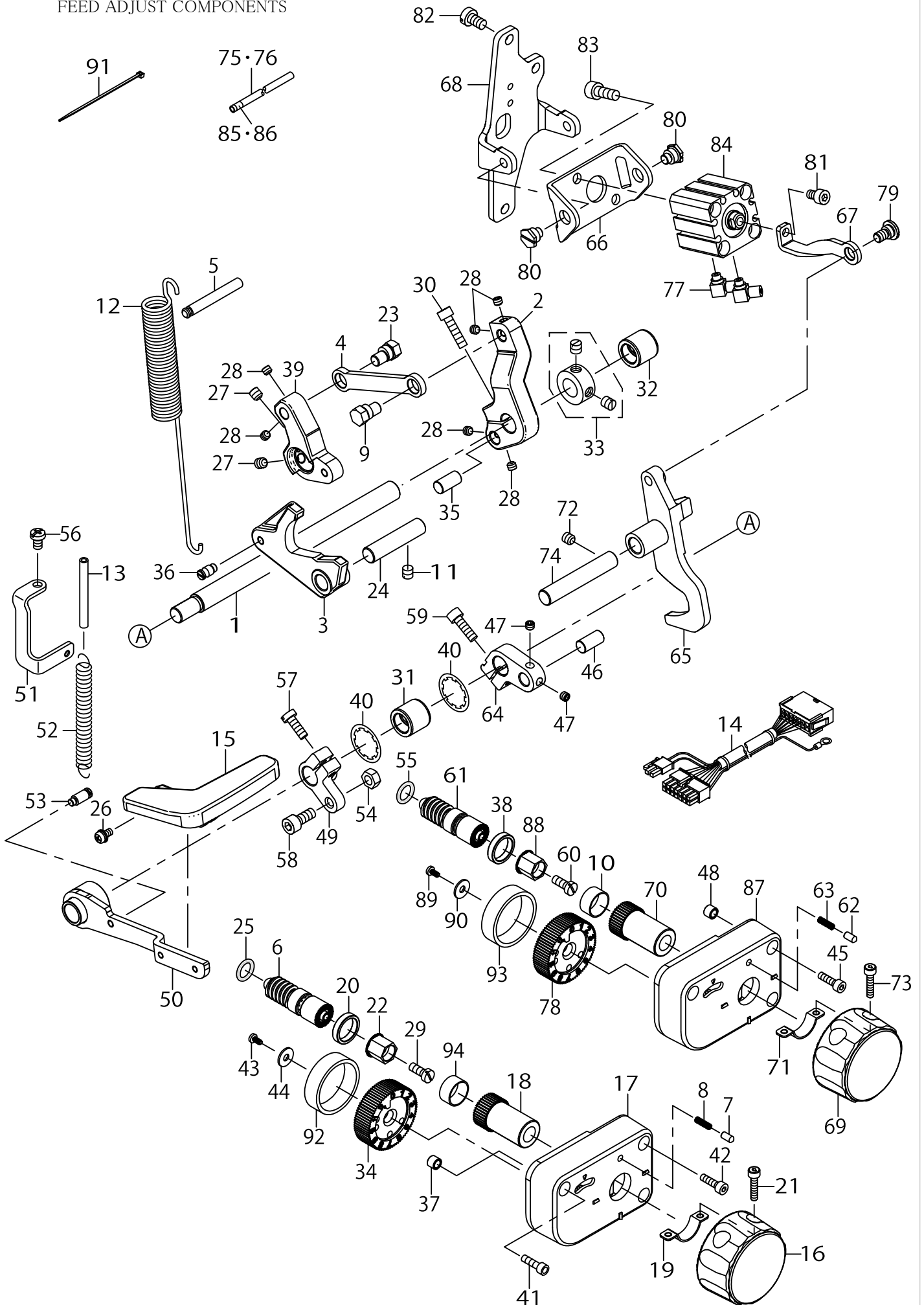
FEED ADJUST COMPONENTS



FEED ADJUST COMPONENTS

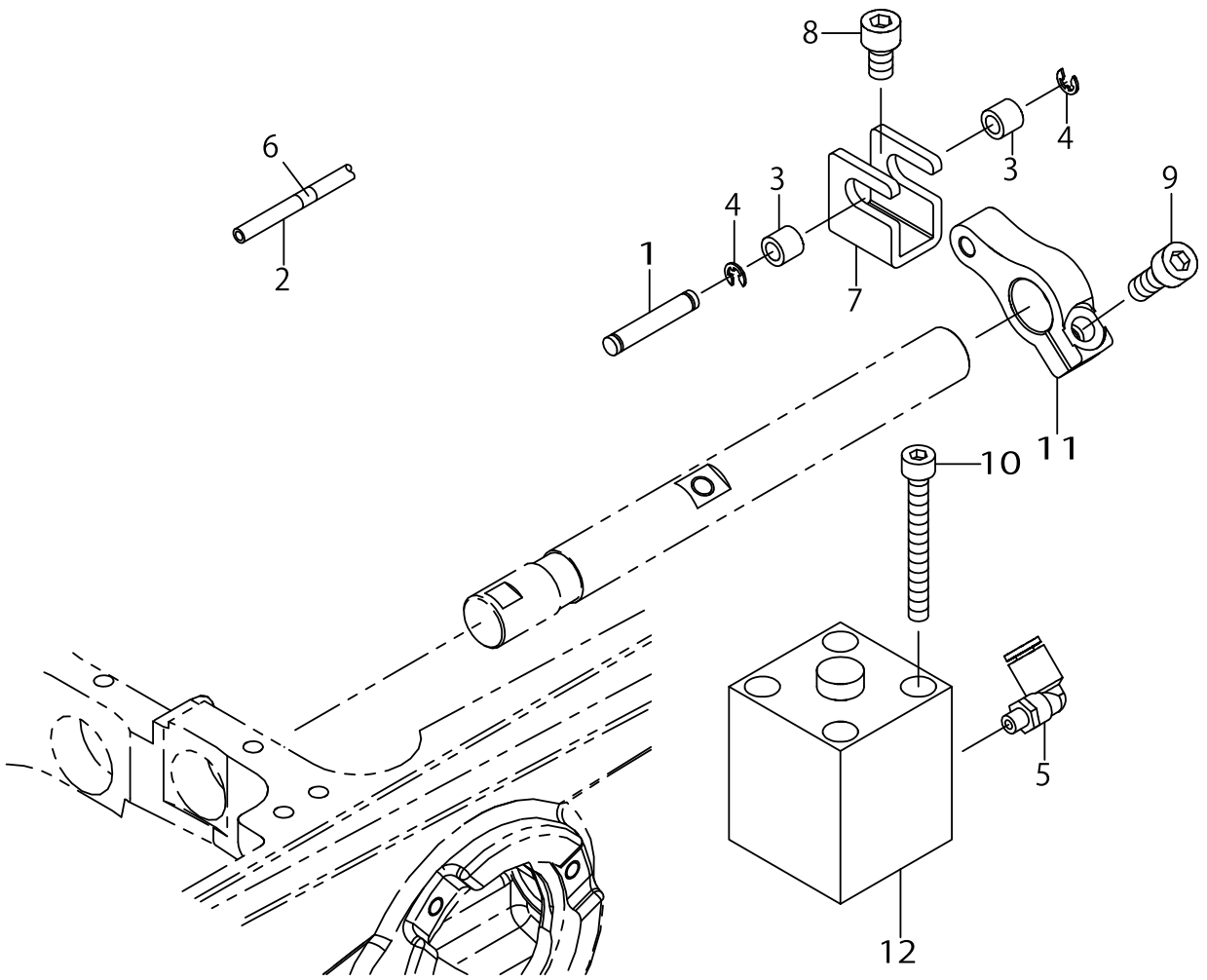
No.	C- ons	Le- vel	Parts No.	Replacement	Supply Code	Parts name	Qty	R- ep. Q- TY	Status	Spec	Remarks
1			40126363			BACKWARD_FEED_LEVER;	1				
2			40129986			FEED_ADJUSTING_PIN_HOL	1				
3			40129984			ADJUSTING_BASE_A	1				
4			40129988			FEED_ADJUSTING_LINK	1				
5			40134528			SPRING SUSPENSION	1				
6			22911804			FEED REGULATOR SCREW	1				
7	☆		10715704			VERTICAL DIAL PIN	1				
8			B152652700G			SPRING	1				
9			23613409			FEED ADJUSTING PIN	1				
10			40137613			DIAL PLATE BUSH	1				FOR PLC-2710-
11			SM8060612TP			SCREW M6 L=6	1				
12			40134105			FEED_ADJUSTING_BASE_SP	1				
13			23630007			TUBE	.08				
14			40139455			SOLENOID RELAY CABLE	1				FOR PLC-2710,;
15			40126116			REVERSE_FEED_LEVER_DR	1				
16	☆		40130004			FEED_DIAL_KNOB	1				
17			40130001			FEED_DIAL_COVER_A	1				
18			40130003			FEED_DIAL_GEAR	1				
19			40130005			FEED_DIAL_SUPPORT_PLA1	1				
20			40133826			SPACER	1				
21			SM6041802TP			SCREW M4 L=18	2				
22			40130006			HEXA_SHAFT	1				
23			23613409			FEED ADJUSTING PIN	1				
24			40033825			HEAD_FIXED_SHAFT	1				
25	☆		RO092270200			O-RING	1				
26			SL4040881SC			SCREW M4 L=8	2				
27			SM8060612TP			SCREW M6 L=6	2				
28			SM8050412TP			SCREW M5 L=4	6				
29			SS6121210SP			SCREW 3/16-28 L=12	1				
30			SM6052002TP			SCREW M5X0.8 L=20	1				
31			13424502			BUSHING FRONT	1				
32			40086018			BUSHING_MAIN_FEED	1				
33			CS1201010SH			THRUST COLLAR ASM. D=	1				
34			40132118			FEED_DIAL_PLATE_A	1				
35			40134959			FEED ADJUSTING PIN A	1				
36			40137780			SPRING RAC	1				
37			B4122804000			ROLLER	1				
38			40133826			SPACER	1				FOR PLC-2710-
39			40130412			FEED_ADJUSTING_ARM_BT	1				
40			WT1780011KP			TOOTHED WASHER 18	2				
41			SM6041402TP			SCREW M4 L=14	1				
42			SM6040802TP			SCREW M4X0.7 L=8	2				
43			40130820			SCREW	1				
44			WP0431005SP			PLAIN WASHER	1				
45			SM6041402TP			SCREW M4 L=14	3				FOR PLC-2710-
46			40131887			FEED_ADJUSTING_PIN	1				FOR PLC-2710-
47			SM8050412TP			SCREW M5 L=4	2				FOR PLC-2710-
48			B4122804000			ROLLER	3				FOR PLC-2710-
49			40112127			BACKWARD_FEED_CONNE	1				FOR PLC-2710-
50			40129991			REVERSE_FEED_LEVER_ASM	1				FOR PLC-2710-
51			40125864			REVERSE_FEED_LEVER_SPF	1				FOR PLC-2710-
52			D2629M1YC0F			SPRING	1				FOR PLC-2710-
53			26229302			SUSPENSION SCREW	1				FOR PLC-2710-
54			NM6050001SD			NUT M5X0.8 TYPE1	1				FOR PLC-2710-
55	☆		RO092270200			O-RING	1				FOR PLC-2710-
56			SM4050855SP			SCREW	1				FOR PLC-2710-
57			SM6051400SP			SCREW	1				FOR PLC-2710-
58			SM6051202TP			SCREW M5X0.8 L=12	1				FOR PLC-2710-
59			SM6051602TP			SCREW M5X0.8 L=16	1				FOR PLC-2710-
60			SS6121210SP			SCREW 3/16-28 L=12	1				FOR PLC-2710-

FEED ADJUST COMPONENTS



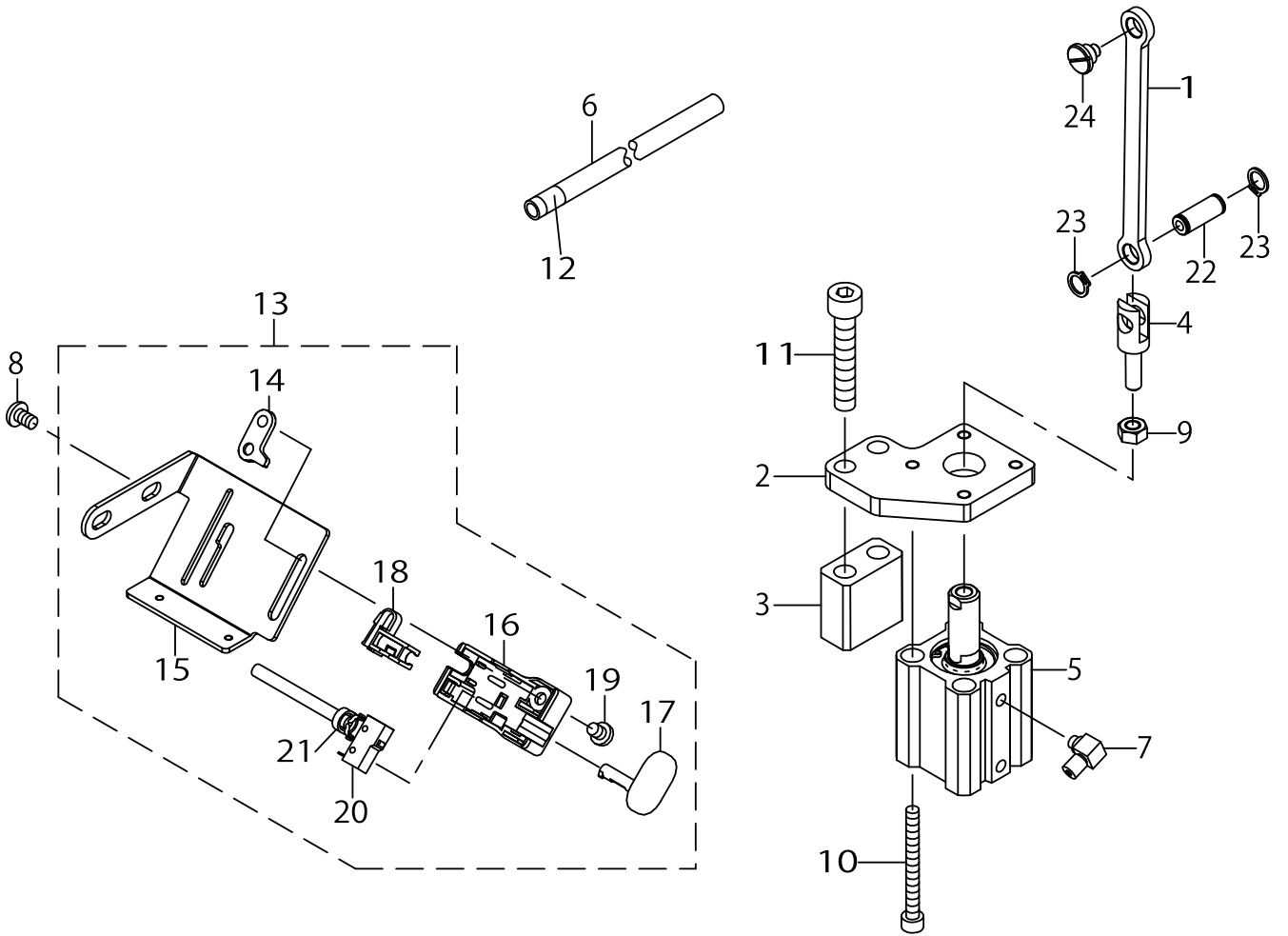
FEED ADJUST COMPONENTS

No.	C- ons	Le- vel	Parts No.	Replacement	Supply Code	Parts name	Qty	R- ep- Q- TY	Status	Spec	Remarks
61			22911804			FEED REGULATOR SCREW	1				FOR PLC-2710-
62	☆		10715704			VERTICAL DIAL PIN	1				FOR PLC-2710-
63			B152652700G			SPRING	1				FOR PLC-2710-
64			40125858			FEED_ADJUSTING_PIN_HOL	1				FOR PLC-2710-
65			40129985			ADJUSTING_BASE_B	1				FOR PLC-2710-
66			40126642			CYLINDER_BASE_A	1				FOR PLC-2710-
67			40129999			CYLINDER_JOINT_B	1				FOR PLC-2710-
68			40126643			CYLINDER_BASE_B	1				FOR PLC-2710-
69	☆		40130004			FEED_DIAL_KNOB	1				FOR PLC-2710-
70			40130003			FEED_DIAL_GEAR	1				FOR PLC-2710-
71			40130005			FEED_DIAL_SUPPORT_PLA1	1				FOR PLC-2710-
72			SM8060612TP			SCREW M6 L=6	1				FOR PLC-2710-
73			SM6041802TP			SCREW M4 L=18	2				FOR PLC-2710-
74			40077931			PRESSURE_LOWERING_SHA	1				FOR PLC-2710-
75			BT0400251EB			URETHANE TUBE BLACK 4	.36				FOR PLC-2710-
76			BT0400251EB			URETHANE TUBE BLACK 4	.36				FOR PLC-2710-
77			PJ046052503			HOSE ELBOW	2				FOR PLC-2710-
78			40132118			FEED_DIAL_PLATE_A	1				FOR PLC-2710-
79			SD0800346TP			SHOULDER SCREW D=8 H=	1				FOR PLC-2710-
80			SD0900426TP			SHOULDER SCREW D=9 H=	2				FOR PLC-2710-
81			SM6050802TP			SCREW M5X0.8 L=8	1				FOR PLC-2710-
82			SM6061010TP			SCREW M6 L=10	3				FOR PLC-2710-
83			SM6061602TP			SCREW M6 L=16	2				FOR PLC-2710-
84			PA200150900			AIR CYLINDER	1				FOR PLC-2710-
85			18035006			CABLE MARK NO.1	2				FOR PLC-2710-
86			18035105			WIRE MARK (2)	2				FOR PLC-2710-
87			40130819			FEED_DIAL_COVER_B	1				FOR PLC-2710-
88			40130006			HEXA_SHAFT	1				FOR PLC-2710-
89			40130820			SCREW	2				FOR PLC-2710-
90			WP0431005SP			PLAIN WASHER	2				FOR PLC-2710-
91			EA9500B0100			CABLE BAND	2				FOR PLC-2710-
92			40137612			DIAL PLATE BUSH	1				
93			40137612			DIAL PLATE BUSH	1				FOR PLC-2710-
94			40137613			DIAL PLATE BUSH	1				



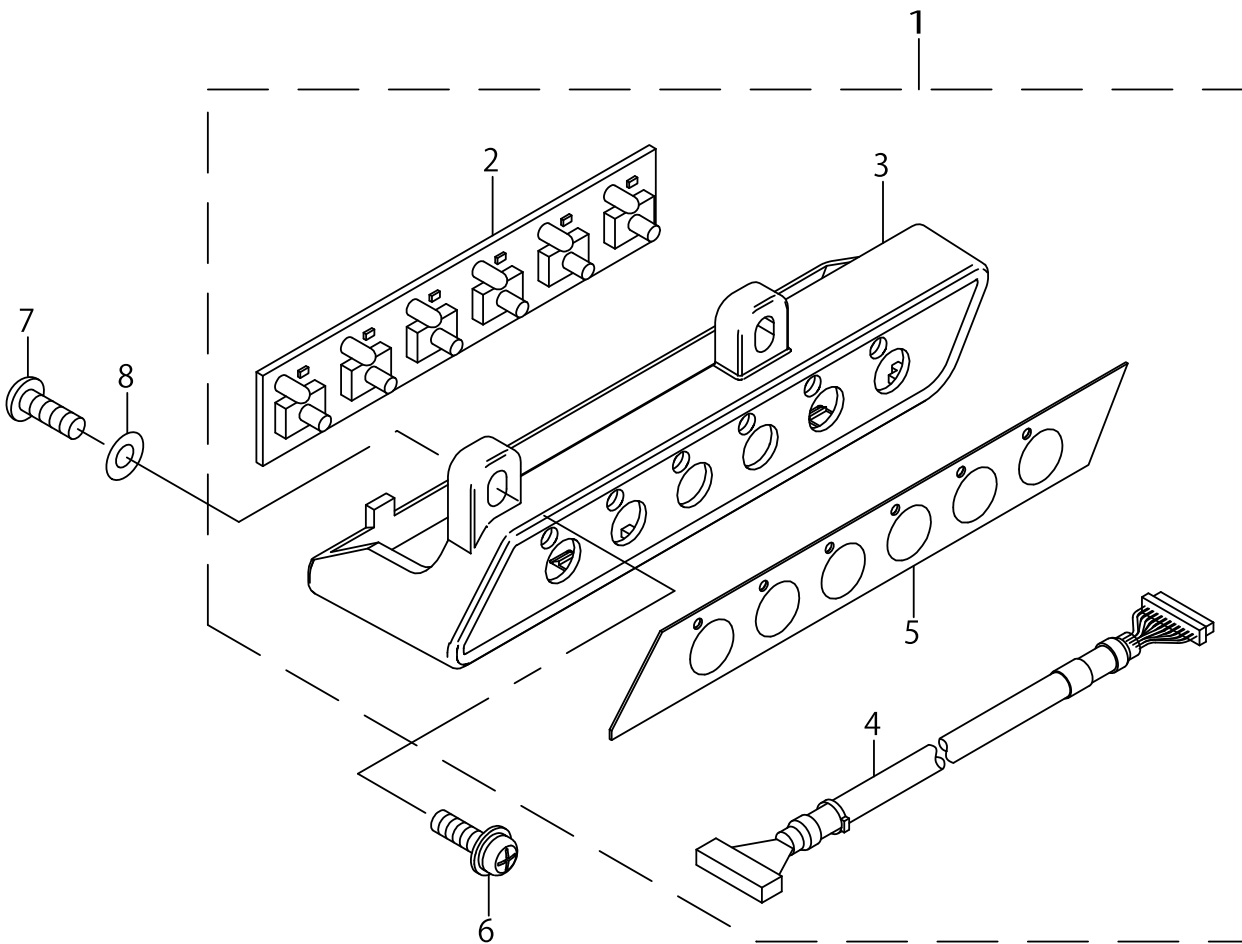
DL COMPONENTS(FOR PLC-2710-7,2760-7,2710(WITH AK,BT,DL),2760(WITH AK,BT,DL),2760L(WITH AK,BT,DL),2765

No.	C- ons	Le- vel	Parts No.	Replacement	Supply Code	Parts name	Qty	R- ep. Q- TY	Status	Spec	Remarks
1			B1504210000			CONNECTING SHAFT	1				
2			BT0400251EB			URETHANE HOSE BLACK	.58				
3			B3031141H00			CONNECTING STUD	2				
4			RE0320000K0			E-RING 3.2	2				
5			PJ304040504			ELBOW UNION	1				
6			18035501			WIRE MARK (6)	2				
7			40112191			KNUCKLE_JOINT_B	1				
8			SM6061002TP			SCREW M6 L=10	1				
9			SM6061602TP			SCREW M6 L=16	1				
10			SM6054502TP			SCREW M5X0.8 L=45	2				
11			40112192			TERTICAL_CYLINDER_ARM	1				
12			PA250250900			AIR CYLINDER	1				



AUTO BT COMPONENTS(FOR PLC-2710-7,2760-7,2710(WITH AK,BT,DL),2760(WITH AK,BT,DL),2760L(WITH AK,BT,DL))

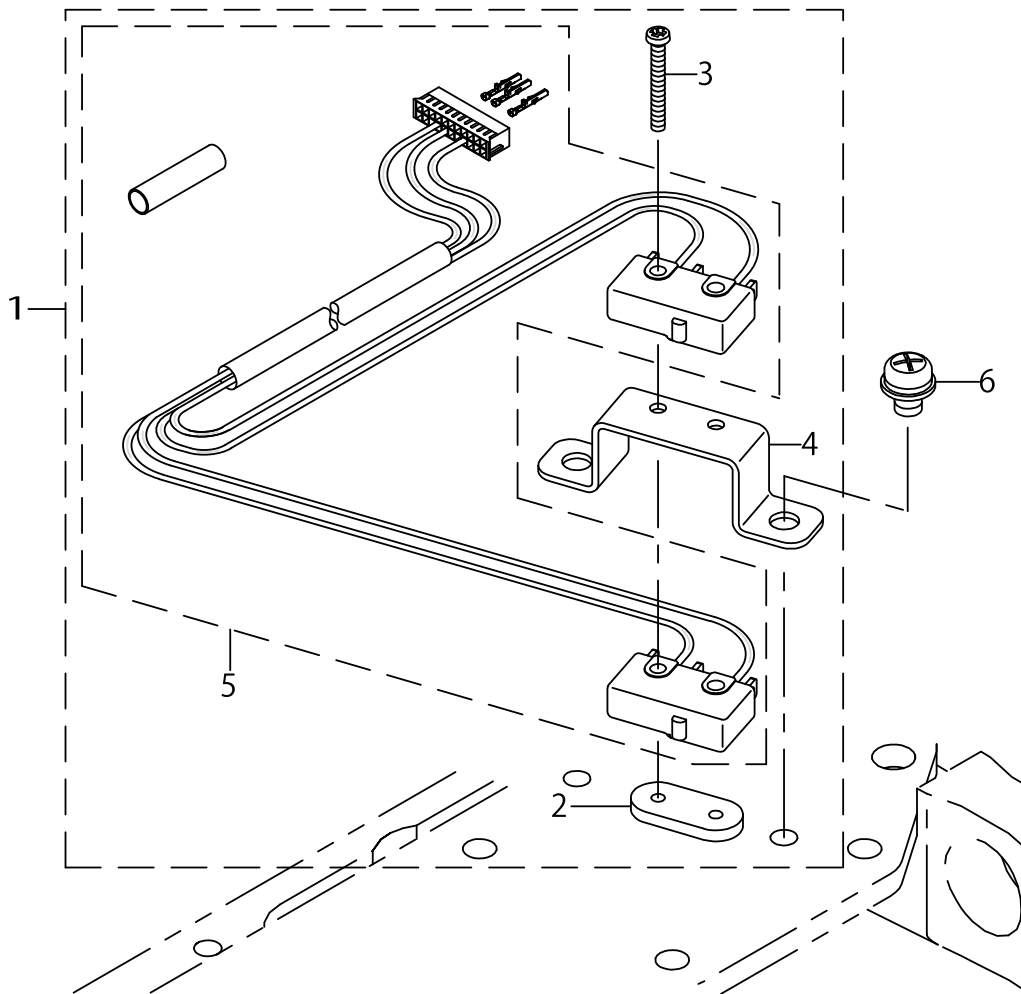
No.	C- ons	Le- vel	Parts No.	Replacement	Supply Code	Parts name	Qty	R- ep. Q- TY	Status	Spec	Remarks
1			40130413			BT_LINK	1				
2			40130024			BT_CYLINDER_PLATE	1				
3			40130414			BT_CYLINDER_BLOCK	1				
4			40052254			CYLINDER KNUCKLE JOIN	1				
5			PA250250900			AIR CYLINDER	1				
6			BT0400251EB			URETHANE TUBE BLACK 4	.27				
7			PJ046052503			HOSE ELBOW	1				
8			SM4050855SP			SCREW	2				
9			NM6060001CP			NUT M6X1 TYPE1	1				
10			SM6055002TP			SCREW M5 L=50	4				
11			SM6084502TP			SCREW M8 L=45	2				
12			18035709			WIRE MARK (8)	2				
13			40130285			TB_SWITCH_ASSY	1				
14		*	23632102			REVERSE FEED SWITCH B	1				
15		*	40112213			TB_SW_MOUNTING_PLATE	1				
16		*	23631708			REVERSE FEED SWITCH C	1				
17		*	23631807			REVERSE FEED SWITCH S	1				
18		*	23631906			REVERSE FEED SWITCH S	1				
19		*	SS7110740TP			SCREW 11/64-40 L=7	1				
20		*	40130286			REVERSE FEED CORD ASM	1				
21		*	EA9500B0100			CABLE BAND	1				
22			10714103			CONNECTION LINK PIN A	1				
23			RC0740811KP			C-RING 8 (7.4)	2				
24			SD0800406TP			SHOULDER SCREW D=8 H=	1				



6-RANGE SW COMPONENTS(FOR PLC-2710-7,2760-7,2710(WITH AK,BT,DL),2760(WITH AK,BT,DL),2760L(WITH AK,BT,DL))

No.	C- ons	Le- vel	Parts No.	Replacement	Supply Code	Parts name	Qty	R- ep. Q- TY	Status	Spec	Remarks
1			40130287			6RANGE SWITCH ASM	1				
2		*	40105510			6RANGE SWITCH PCB ASS'	1				
3		*	40112215	40105508		6RANGE_SWITCH_COVER	1	1.00	選択部品	LU2800	
3		*	40112215	40130287		6RANGE_SWITCH_COVER	1	1.00	選択部品	PLC2700	
4		*	40130288			6RANGE SWITCH CABLE A	1				
5		*	40112216			PANEL SHEET	1				
6			SL4041491SC			SCREW 4X14	2				FOR PLC-2710-
7			SM4041201SC			SCREW M4 L=12	2				FOR PLC-2765(
8			WP0430801SC			WASHER M4	2				FOR PLC-2765(

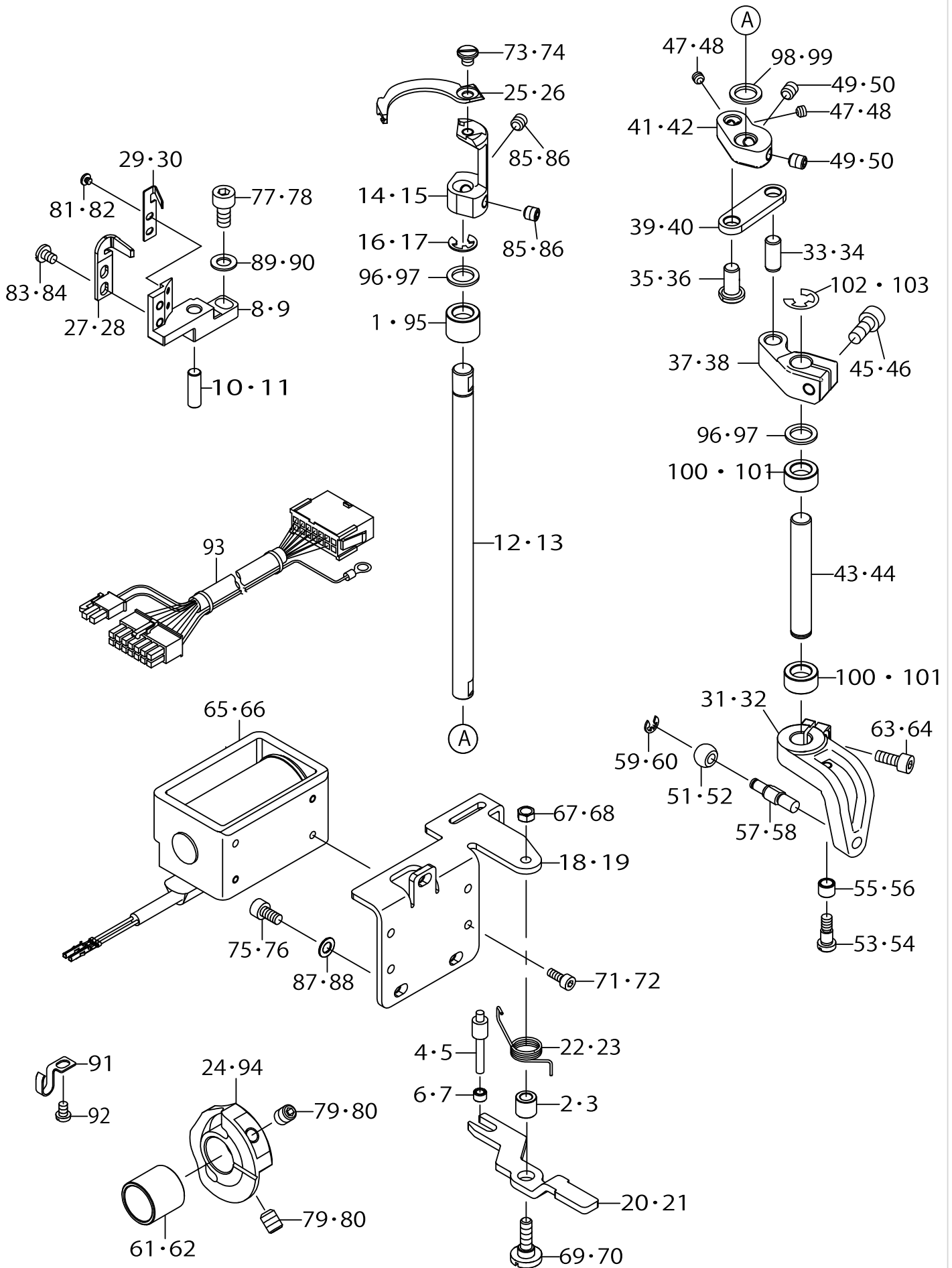
SPEED ADJUST COMPONENTS(FOR PLC-2710-7,2760-7)



SPEED ADJUST COMPONENTS(FOR PLC-2710-7,2760-7)

No.	C- ons	Le- vel	Parts No.	Replacement	Supply Code	Parts name	Qty	R- ep. Q- TY	Status	Spec	Remarks
1			40130289			VERTICAL_DETECTOR_SWI	1				
2		*	23638406	23638059		SAFETY SWITCH NUT	1	1.00			
3		*	SM4021601SN		Disconinue	SCREW M2 L=16	2				
4		*	40126259			SENSOR_BRACKET	1				
5		*	40130290	40130289		SPEED CONTROL CORD A	1	1.00			
6			SL4040691SC			SCREW M4 L=6	2				

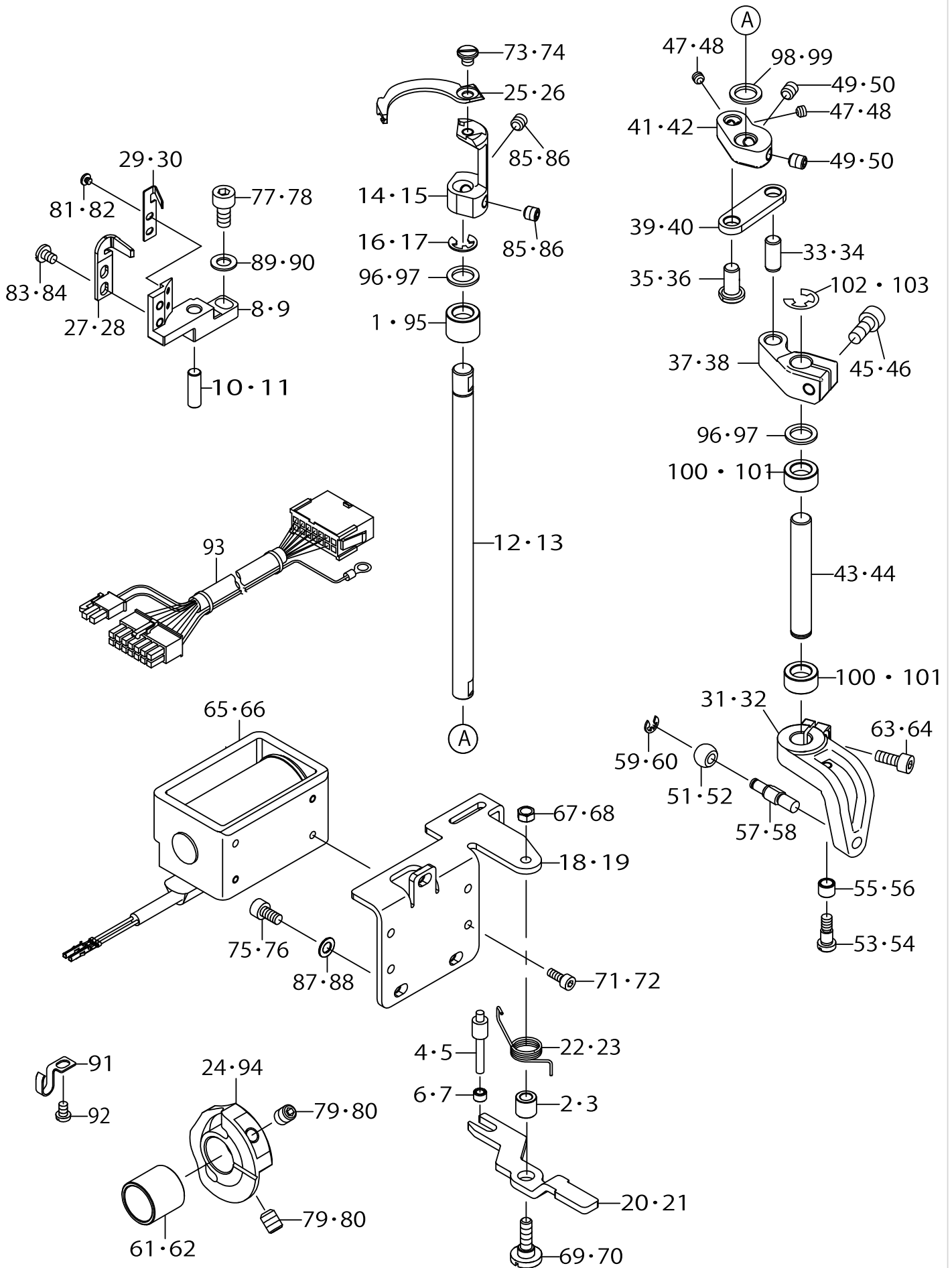
THREAD CUTTING COMPONENTS(FOR PLC-2710-7,2760-7)



THREAD CUTTING COMPONENTS(FOR PLC-2710-7,2760-7)

No.	C- ons	Le- vel	Parts No.	Replacement	Supply Code	Parts name	Qty	R- ep- Q- TY	Status	Spec	Remarks
1			40138044			BEARING	1				
2			22956205			WIPER HINGE SCREW COL	1				FOR PLC-2710-
3			22956205			WIPER HINGE SCREW COL	2				FOR PLC-2760-
4			22957104			WIPER SOLENOID SHAFT	1				FOR PLC-2710-
5			22957104			WIPER SOLENOID SHAFT	2				FOR PLC-2760-
6			22957203			WIPER LINK COLLAR	1				FOR PLC-2710-
7			22957203			WIPER LINK COLLAR	2				FOR PLC-2760-
8			40130057			F_KNIFE_BASE	1				FOR PLC-2710-
9			40130057			F_KNIFE_BASE	2				FOR PLC-2760-
10			13416508			PIN_DIFF_ADJ	1				FOR PLC-2710-
11			13416508			PIN_DIFF_ADJ	2				FOR PLC-2760-
12			40130051			M_KNIFE_SHAFT	1				FOR PLC-2710-
13			40130051			M_KNIFE_SHAFT	2				FOR PLC-2760-
14			40130049			M_KNIFE_BASE	1				FOR PLC-2710-
15			40130049			M_KNIFE_BASE	2				FOR PLC-2760-
16			RE0500000K0			E-RING	1				FOR PLC-2710-
17			RE0500000K0			E-RING	2				FOR PLC-2760-
18			40133503			THREAD TRIMMER SOL BA	1				FOR PLC-2710-
19			40133503			THREAD TRIMMER SOL BA	2				FOR PLC-2760-
20			40112234			KNIFE_DRIVING_ARM_LINK	1				FOR PLC-2710-
21			40112234			KNIFE_DRIVING_ARM_LINK	2				FOR PLC-2760-
22			40112235			DRIVING_ARM_RETURN_SPF	1				FOR PLC-2710-
23			40112235			DRIVING_ARM_RETURN_SPF	2				FOR PLC-2760-
24			40130059			THREAD_TRIMMER_CAM_RI	1				
25	☆		40130050			MOVING_KNIFE	1				FOR PLC-2710-
26	☆		40130050			MOVING_KNIFE	2				FOR PLC-2760-
27	☆		40130056			FIXED_KNIFE	1				FOR PLC-2710-
28	☆		40130056			FIXED_KNIFE	2				FOR PLC-2760-
29	☆		40130055			CLAMP_SPRING	1				FOR PLC-2710-
30	☆		40130055			CLAMP_SPRING	2				FOR PLC-2760-
31			40123248			MOVING_KNIFE_DRIVING_A	1				FOR PLC-2710-
32			40123248			MOVING_KNIFE_DRIVING_A	2				FOR PLC-2760-
33			13319405			MAIN_FEED_ROCKER_PIN	1				FOR PLC-2710-
34			13319405			MAIN_FEED_ROCKER_PIN	2				FOR PLC-2760-
35			13461504			LINK_PIN	1				FOR PLC-2710-
36			13461504			LINK_PIN	2				FOR PLC-2760-
37			40130052			M_KNIFE_ARM_A	1				FOR PLC-2710-
38			40130052			M_KNIFE_ARM_A	2				FOR PLC-2760-
39			40130053			M_KNIFE_LINK	1				FOR PLC-2710-
40			40130053			M_KNIFE_LINK	2				FOR PLC-2760-
41			40130054			M_KNIFE_ARM_B	1				FOR PLC-2710-
42			40130054			M_KNIFE_ARM_B	2				FOR PLC-2760-
43			40130058			M_KNIFE_DRIVING_SHAFT	1				FOR PLC-2710-
44			40130058			M_KNIFE_DRIVING_SHAFT	2				FOR PLC-2760-
45			SM6051202TP			SCREW M5X0.8 L=12	1				FOR PLC-2710-
46			SM6051202TP			SCREW M5X0.8 L=12	2				FOR PLC-2760-
47			SM8040312TP			SCREW M4 L=3	2				FOR PLC-2710-
48			SM8040312TP			SCREW M4 L=3	4				FOR PLC-2760-
49			SM8050612TP			SCREW M5X6	2				FOR PLC-2710-
50			SM8050612TP			SCREW M5X6	4				FOR PLC-2760-
51			21470505			CAM ROLLER(245-7SP)	1				FOR PLC-2710-
52			21470505			CAM ROLLER(245-7SP)	2				FOR PLC-2760-
53			SD0460576TP			SHOULDER SCREW D=4.6 F	1				FOR PLC-2710-
54			SD0460576TP			SHOULDER SCREW D=4.6 F	2				FOR PLC-2760-
55			B2508047000			BLOCK ROLLER	1				FOR PLC-2710-
56			B2508047000			BLOCK ROLLER	2				FOR PLC-2760-
57			40130593			ROLLER_SHAFT	1				FOR PLC-2710-
58			40130593			ROLLER_SHAFT	2				FOR PLC-2760-
59			RE0300000K0			E-RING 3	1				FOR PLC-2710-
60			RE0300000K0			E-RING 3	2				FOR PLC-2760-

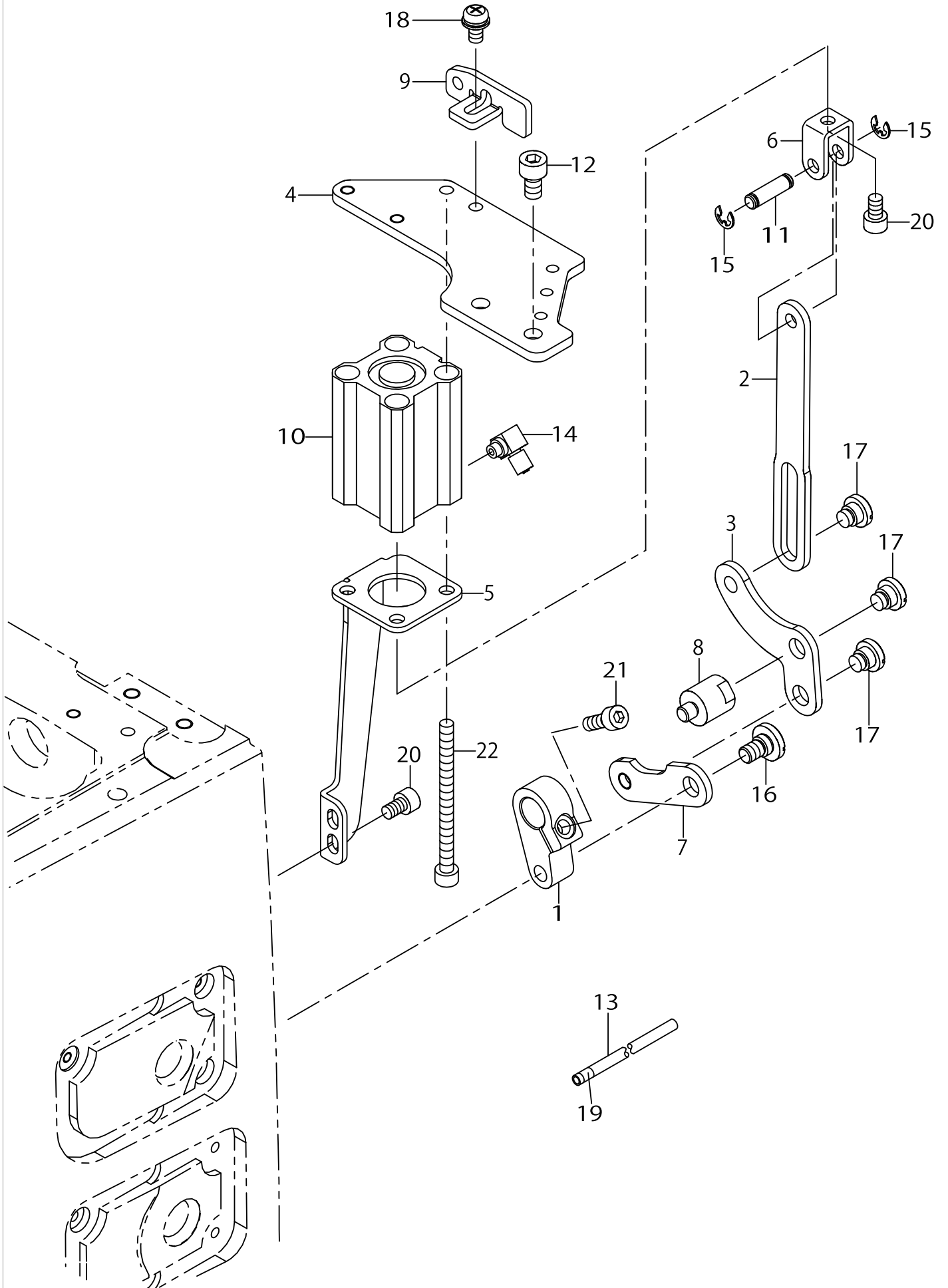
THREAD CUTTING COMPONENTS(FOR PLC-2710-7,2760-7)



THREAD CUTTING COMPONENTS(FOR PLC-2710-7,2760-7)

No.	C- ons	Le- vel	Parts No.	Replacement	Supply Code	Parts name	Qty	R- ep. Q- TY	Status	Spec	Remarks
61			40130620			SPACER	1				FOR PLC-2710-
62			40130620			SPACER	2				FOR PLC-2760-
63			SM6041002TP			SCREW M4X0.7 L=10	1				FOR PLC-2710-
64			SM6041002TP			SCREW M4X0.7 L=10	2				FOR PLC-2760-
65			40137921			THREAD_TRIMMER_SOLENOI	1				FOR PLC-2710-
66			40137921			THREAD_TRIMMER_SOLENOI	2				FOR PLC-2760-
67			NS6110310SP			HEXAGONAL NUT 11/64-4	1				FOR PLC-2710-
68			NS6110310SP			HEXAGONAL NUT 11/64-4	2				FOR PLC-2760-
69			SD0650321TP			SHOULDER SCREW D=6.5 H	1				FOR PLC-2710-
70			SD0650321TP			SHOULDER SCREW D=6.5 H	2				FOR PLC-2760-
71			SM6030602TP			SCREW M3X0.5 L=6	4				FOR PLC-2710-
72			SM6030602TP			SCREW M3X0.5 L=6	8				FOR PLC-2760-
73			SS6110480SP			SCREW 11/64-40 L=4.3	1				FOR PLC-2710-
74			SS6110480SP			SCREW 11/64-40 L=4.3	2				FOR PLC-2760-
75			SM6040802TP			SCREW M4X0.7 L=8	3				FOR PLC-2710-
76			SM6040802TP			SCREW M4X0.7 L=8	6				FOR PLC-2760-
77			SM6051002TP			SCREW M5X0.8 L=10	1				FOR PLC-2710-
78			SM6051002TP			SCREW M5X0.8 L=10	2				FOR PLC-2760-
79			SM8060812TP			SCREW M6 L=8	2				FOR PLC-2710-
80			SM8060812TP			SCREW M6 L=8	4				FOR PLC-2760-
81			SS6060220SP			SCREW 3/32-56 L=2.0	2				FOR PLC-2710-
82			SS6060220SP			SCREW 3/32-56 L=2.0	4				FOR PLC-2760-
83			SS6090520SP			SCREW 9/64-40 L=5.0	2				FOR PLC-2710-
84			SS6090520SP			SCREW 9/64-40 L=5.0	4				FOR PLC-2760-
85			SM8050512TP			SCREW	2				FOR PLC-2710-
86			SM8050512TP			SCREW	4				FOR PLC-2760-
87			WP0450000SD			WASHER 4.5X8X0.5	3				FOR PLC-2710-
88			WP0450000SD			WASHER 4.5X8X0.5	6				FOR PLC-2760-
89			WP0550800SP			WASHER 5.5X10X0.8	1				FOR PLC-2710-
90			WP0550800SP			WASHER 5.5X10X0.8	2				FOR PLC-2760-
91			26231902			OIL WICK PIPE STOPPER	1				
92			SM4040655SP			SCREW M4 L=6	1				
93			40139455			SOLENOID RELAY CABLE	1				
94			40130060			THREAD_TRIMMER_CAM_LI	1				FOR PLC-2760-
95			40138044			BEARING	2				FOR PLC-2760-
96			40137802			WASHER	2				FOR PLC-2710-
97			40137802			WASHER	4				FOR PLC-2760-
98			40137803			WASHER	1				FOR PLC-2710-
99			40137803			WASHER	2				FOR PLC-2760-
100			40137999			BEARING	2				FOR PLC-2710-
101			40137999			BEARING	4				FOR PLC-2760-
102			RE0500000K0			E-RING	1				FOR PLC-2710-
103			RE0500000K0			E-RING	2				FOR PLC-2760-

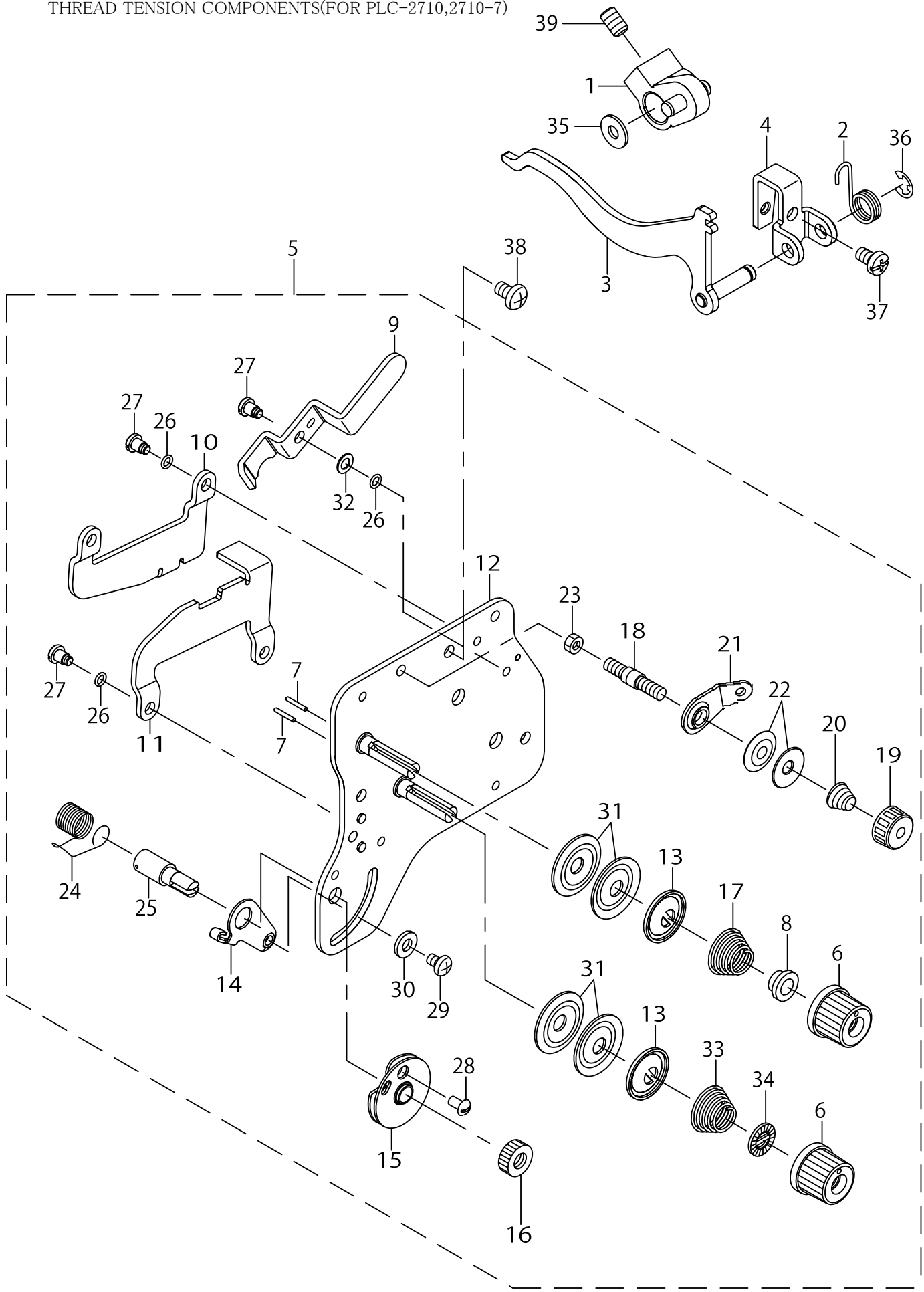
CONDENSE COMPONENTS(FOR PLC-2710-7,2760-7)



CONDENSE COMPONENTS(FOR PLC-2710-7,2760-7)

No.	C- ons	Le- vel	Parts No.	Replacement	Supply Code	Parts name	Qty	R- ep. Q- TY	Status	Spec	Remarks
1			40133612			CONDENSE ARM	1				
2			40112137			LINK_A	1				
3			40112138			LINK_B	1				
4			40125872			CYLINDER_BRACKET	1				
5			40112140			CYLINDER_STAY	1				
6			40112149			CYLINDER_KNUCKLE	1				
7			40133655			LINK D	1				
8			40112151			BT_LINK_STUD	1				
9			40112228			MOTOR_COVER_FITTING_P	1				
10			PA200350300			AIR CYLINDER	1				
11			D2464555B00			LINK DRIVING MAGNET PI	1				
12			SM6061002TP			SCREW M6 L=10	2				
13			BT0400251EB			URETHANE HOSE BLACK	.27				
14			PJ046052503			HOSE ELBOW	1				
15			RE0400000K0			E-RING 4	2				
16			SD0800321TH			HINGE SCREW D=8 H=3.2	1				
17			SD0800341SP			HINGE SCREW D=8 H=3.4	3				
18			SL4051091SC			SCREW M5X0.8 L=10	1				
19			18035303			WIRE MARK (4)	2				
20			SM6050802TP			SCREW M5X0.8 L=8	3				
21			SM6051402TP			SCREW M5X0.8 L=14	1				
22			SM6056552TP			SCREW	3				

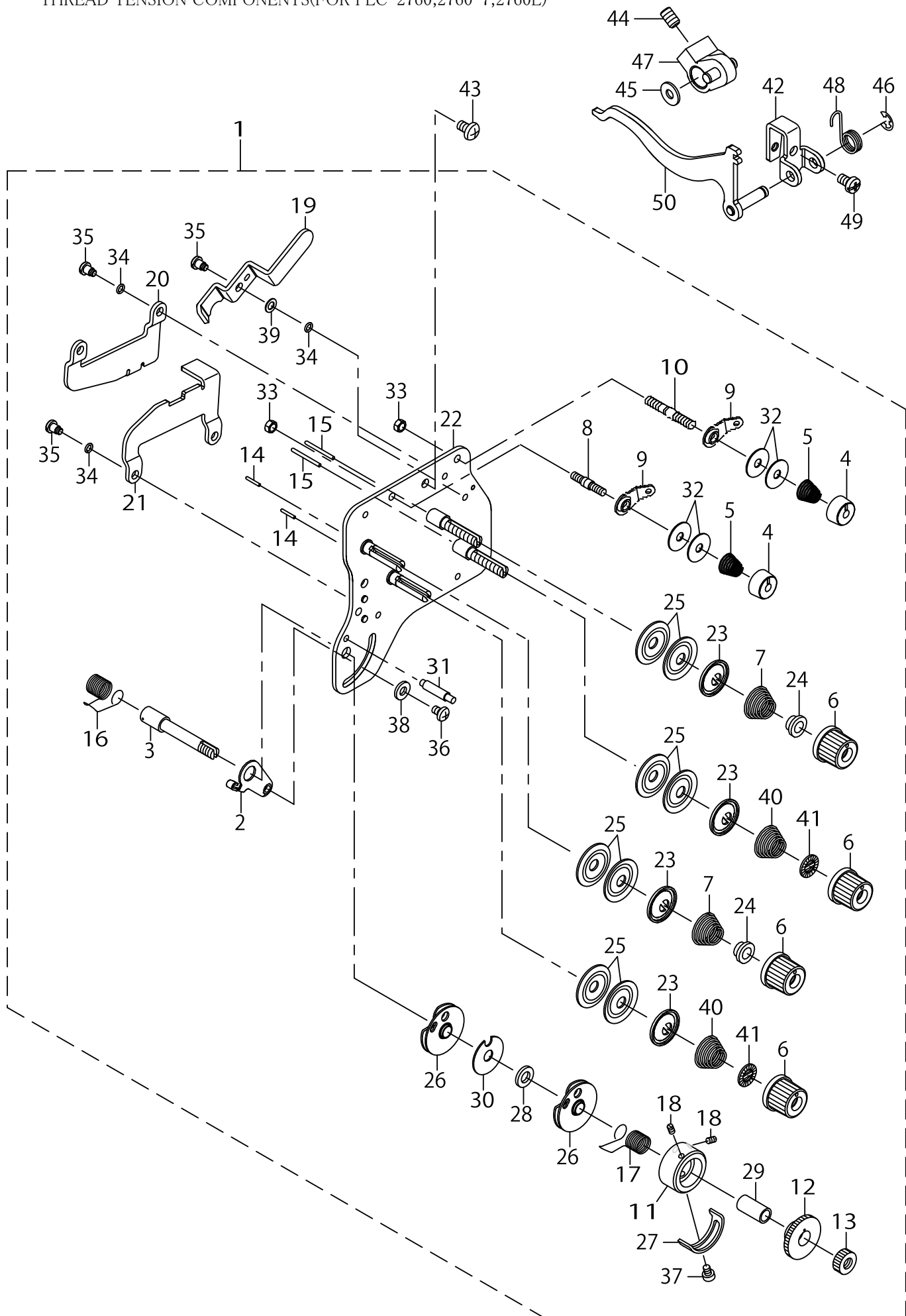
THREAD TENSION COMPONENTS(FOR PLC-2710,2710-7)



THREAD TENSION COMPONENTS(FOR PLC-2710,2710-7)

No.	C- ons	Le- vel	Parts No.	Replacement	Supply Code	Parts name	Qty	R- ep. Q- TY	Status	Spec	Remarks
1			22912257			FEED REVERSE ARM ASM.	1				
2			22954309			REVERSE FEED SWITCH SF	1				
3			40126265			DISK_RELEASE_LINK_ASM.	1				
4			40125873			DISK_RELEASE_LINK_BASE	1				
5			40134505			THREAD TENSION ASM.	1				
6		*	13817408			THREAD TENSION NUT	2				
7	☆	*	22618201			TENSION RELEASE PIN A	2				
8		*	B3112704000			TENSION SPRING BUSHING	1				
9		*	40112204		Disconinue	TENSION_RELEASE_LEVER	1				
10		*	40112218			DISK_RELEASE_PLATE_A	1				
11		*	40112219			DISK_RELEASE_PLATE_B	1				
12		*	40126404			ASSY_TENSION_BASE_PLAT	1				
13		*	40126724			TENSION_DISC_HOLDER	2				
14		*	10697506			THREAD TENSION BRACKI	1				
15		*	B31375270A0			TAKE-UP SPRING GUIDE A	1				
16		*	22617807	22928808		NUT	1	1.00			
17	☆	*	12938304			TENSION SPRING	1				
18		*	22528806			PRE_TENSION_POST	1				
19		*	22945703			THREAD TENSION NUT	1				
20	☆	*	22963409	22963458		THREAD TENSION SPRING	1	1.00			
21		*	22529408		Disconinue	BOBBIN THREAD GUIDE	1				
22	☆	*	22945802			THREAD TENSION DISK	1				
23		*	NS6110310SP			NUT 11/64-40	1				
24	☆	*	22618706			THREAD TAKE-UP SPRING	1				
25		*	10320109			SCREW STUD	1				
26		*	RO037180100			RUBBER RING	5				
27		*	SD0450401SP			HINGE SCREW D=4.5 H=4	5				
28		*	SS3090710TP			SCREW 9/64-40 L=7	1				
29		*	SS4110615SP			SCREW 11/64-40 L=6	1				
30		*	WP0501016SD			WASHER 5X10.5X1	1				
31	☆	*	B3126012000	22921506		THREAD TENSION DISK	4	1.00			
32		*	WP0460556SD			WASHER 4.6X7.5X0.5	1				
33		*	B3129053000			TENSION SPRING	1				
34		*	22921407			ROTATION STOPPER	1				
35		*	22528509			FELT	1				
36			RE0500000K0			E-RING	1				
37			SM4050855SP			SCREW	1				
38			SM4051001SN			SCREW M5	3				
39			SS8661012TP			SCREW	1				

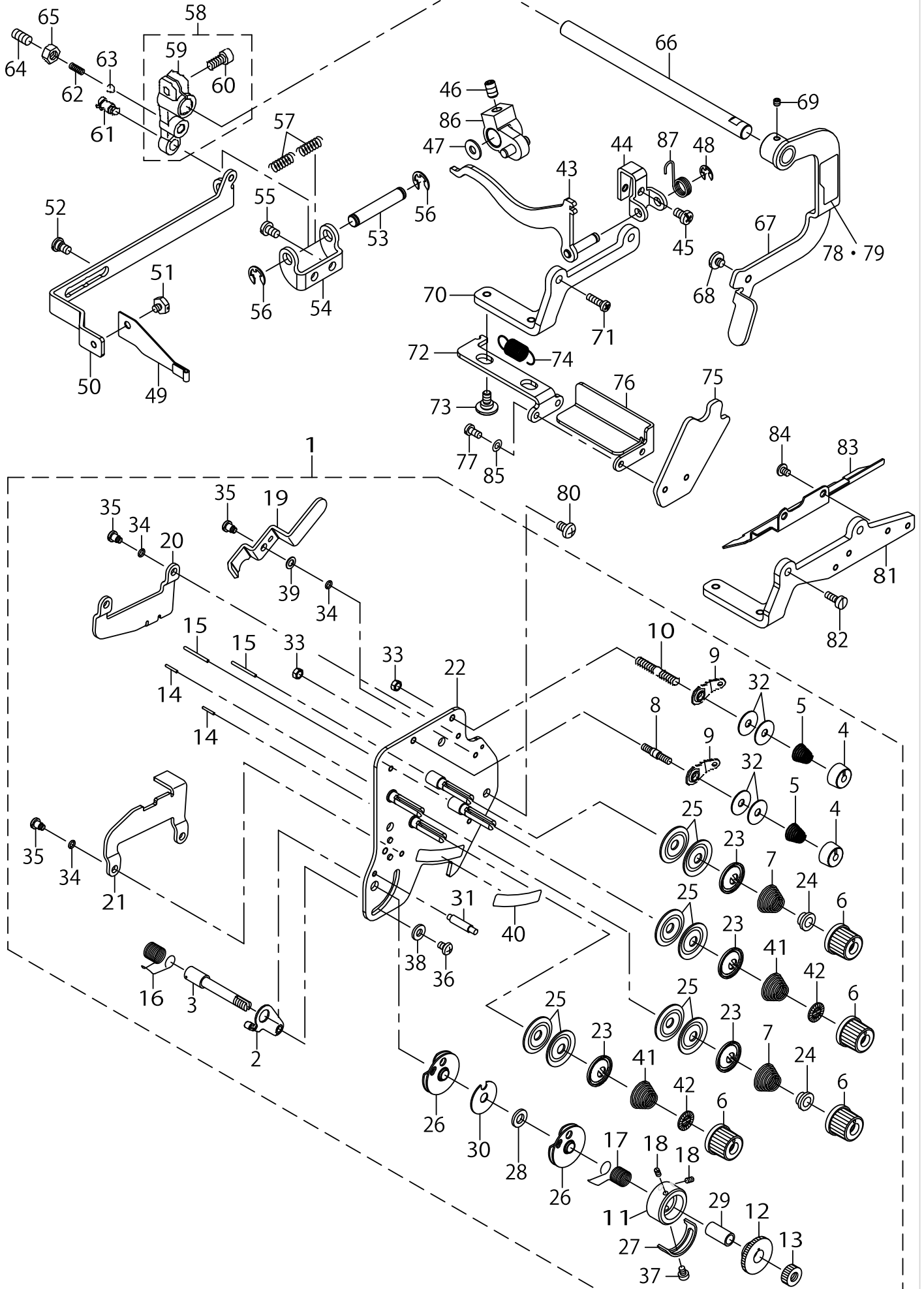
THREAD TENSION COMPONENTS(FOR PLC-2760,2760-7,2760L)



THREAD TENSION COMPONENTS(FOR PLC-2760,2760-7,2760L)

No.	C- ons	Le- vel	Parts No.	Replacement	Supply Code	Parts name	Qty	R- ep. Q- TY	Status	Spec	Remarks
1			40132435			THREAD_TENSION_ASM.	1				
2		*	10697506			THREAD TENSION BRACKI	1				
3		*	10697605			THREAD TAKE-UP SPRING	1				
4		*	11072402			THREAD TENSION NUT	2				
5	☆	*	11093606			THREAD TENSION SPRING	2				
6	☆	*	13817408			THREAD TENSION NUT	4				
7	☆	*	12938304			TENSION SPRING	2				
8		*	22528806			THREAD TENSION POST	1				
9		*	22529408			BOBBIN THREAD GUIDE	2				
10		*	22529515	22529473		BOBBIN THREAD TENSION	1	1.00			
11		*	22617609			THREAD TENSION POST	1				
12		*	22617708			TAKE-UP SPRING GUIDE	1				
13		*	22617807	22928808		NUT	1	1.00			
14	☆	*	22618201			TENSION RELEASE PIN A	2				
15	☆	*	22618300			TENSION RELEASE PIN B	2				
16	☆	*	22618706			THREAD TAKE-UP SPRING	1				
17	☆	*	22618805			THREAD TAKE-UP SPRING	1				
18		*	22618904	SM8030500SP		SET SCREW	2	1.00			
19		*	40112204			TENSION_RELEASE_LEVER	1				
20		*	40112218			DISK_RELEASE_PLATE_A	1				
21		*	40112219			DISK_RELEASE_PLATE_B	1				
22		*	40126557			ASSY_TENSION_BASE_PLAT	1				
23		*	40126724			TENSION_DISC_HOLDER	4				
24		*	B3112704000			TENSION SPRING BUSHING	2				
25	☆	*	B3126012000	22921506		THREED TENSION DISK	8	1.00			
26		*	B31375270A0			TAKE-UP SPRING GUIDE A	2				
27		*	B3138527000			ADJUSTING PLATE B	1				
28		*	B3139527000			COLLAR	1				
29		*	B3141527000			PRESSER COLLAR	1				
30		*	B3142527000			TAKE-UP SPRING GUIDE P	1				
31		*	B3143527000			TAKE-UP SPRING GUIDE S	1				
32	☆	*	B3214047000	22945802		BOBBIN WINDER TENSION	4	1.00			
33		*	NS6110310SP			NUT 11/64-40	2				
34		*	RO037180100			RUBBER RING	5				
35		*	SD0450401SP			HINGE SCREW D=4.5 H=4	5				
36		*	SS4110615SP			SCREW 11/64-40 L=6	1				
37		*	SS7090510SP			SCREW 9/64-40 L=4.6	1				
38		*	WP0501016SD			WASHER 5X10.5X1	1				
39		*	WP0460556SD			WASHER 4.6X7.5X0.5	1				
40	☆	*	B312905300			TENSION SPRING	2				
41		*	22921407			ROTATION STOPPER	2				
42			40125873			DISK_RELEASE_LINK_BASE	1				
43			SM4051001SN			SCREW M5	3				
44			SS8661012TP			SCREW	1				
45			22528509			FELT	1				
46			RE0500000K0			E-RING	1				
47			22912257			FEED REVERSE ARM ASM.	1				
48			22954309			REVERSE FEED SWITCH SF	1				
49			SM4050855SP			SCREW	1				
50			40126265			DISK_RELEASE_LINK_ASM.	1				

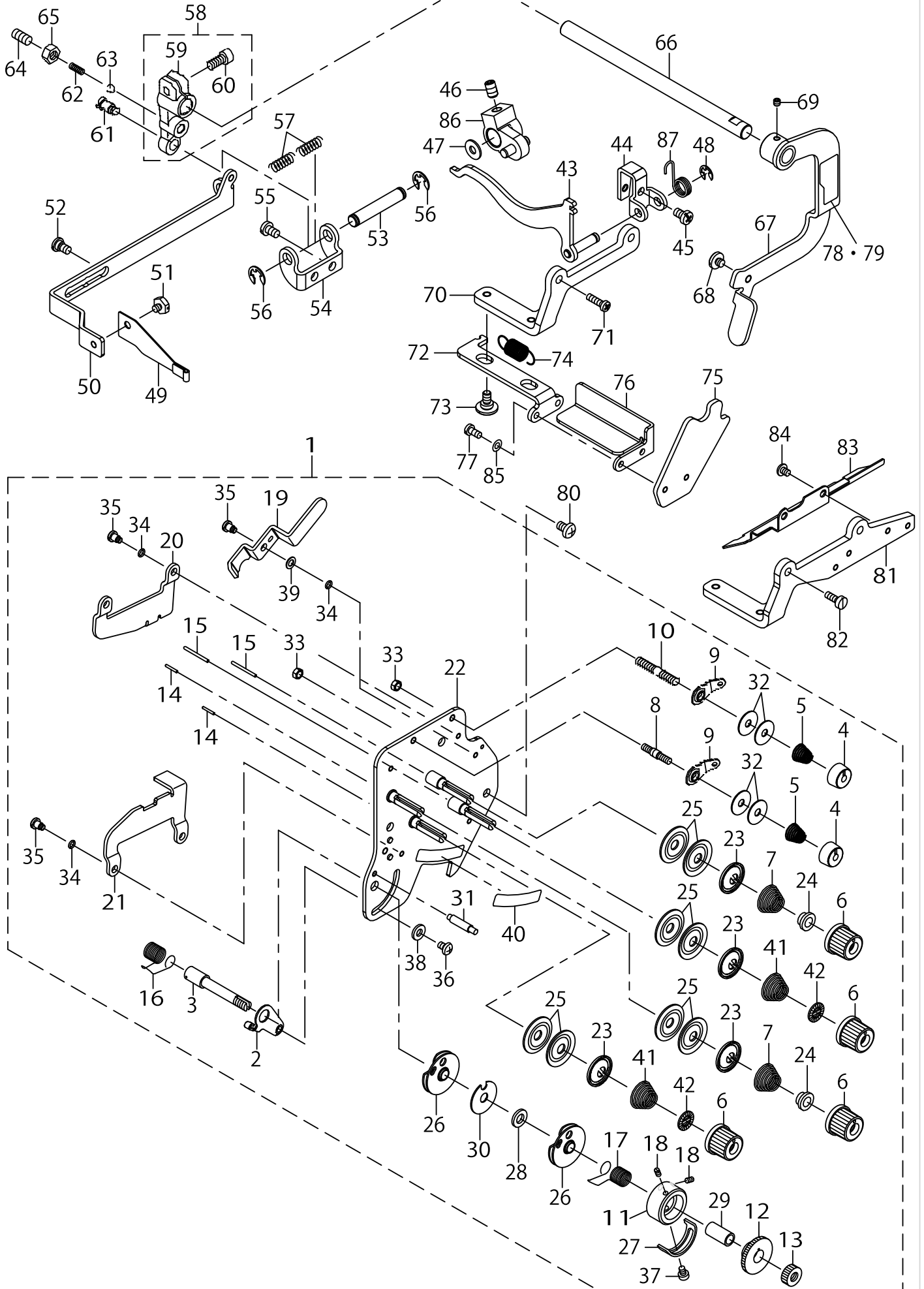
NEEDLE STOP CHANGE LEVER & THREAD TENSION COMPONENTS(FOR PLC-2765)



NEEDLE STOP CHANGE LEVER & THREAD TENSION COMPONENTS(FOR PLC-2765)

No.	C- ons	Le- vel	Parts No.	Replacement	Supply Code	Parts name	Qty	R- ep- Q- TY	Status	Spec	Remarks
1			40141153			THREAD_TENSION_ASM_28t	1				
2		*	10697506			THREAD TENSION BRACKI	1				
3		*	10697605			THREAD TAKE-UP SPRING	1				
4		*	11072402			THREAD TENSION NUT	2				
5	☆	*	11093606			THREAD TENSION SPRING	2				
6	☆	*	13817408			THREAD TENSION NUT	4				
7	☆	*	12938304			TENSION SPRING	2				
8		*	22528806			THREAD TENSION POST	1				
9		*	22529408		Disconinue	BOBBIN THREAD GUIDE	2				
10		*	22529515	22529473		BOBBIN THREAD TENSION	1	1.00			
11		*	22617609			THREAD TENSION POST	1				
12		*	22617708			TAKE-UP SPRING GUIDE	1				
13		*	22617807	22928808		NUT	1	1.00			
14	☆	*	22618201			TENSION RELEASE PIN	2				
15	☆	*	22618300			TENSION RELEASE PIN	2				
16	☆	*	22618706			THREAD TAKE-UP SPRING	1				
17	☆	*	22618805			THREAD TAKE-UP SPRING	1				
18		*	22618904	SM8030500SP		SET SCREW	2	1.00			
19		*	40112204		Disconinue	TENSION_RELEASE_LEVER	1				
20		*	40112218			DISK_RELEASE_PLATE_A	1				
21		*	40112219			DISK_RELEASE_PLATE_B	1				
22		*	40131668			ASSY_TENSION_BASE_PLAT	1				
23		*	40126724			TENSION_DISC_HOLDER	4				
24		*	B3112704000			TENSION SPRING BUSHING	2				
25	☆	*	B3126012000	22921506		THREED TENSION DISK	8	1.00			
26		*	B31375270A0			TAKE-UP SPRING GUIDE A	2				
27		*	B3138527000			ADJUSTING PLATE B	1				
28		*	B3139527000			COLLAR	1				
29		*	B3141527000			PRESSER COLLAR	1				
30		*	B3142527000			TAKE-UP SPRING GUIDE P	1				
31		*	B3143527000			TAKE-UP SPRING GUIDE S	1				
32	☆	*	B3214047000	22945802		BOBBIN WINDER TENSION	4	1.00			
33		*	NS6110310SP			HEXAGONAL NUT 11/64-4	2				
34		*	RO037180100			O-RING	5				
35		*	SD0450401SP			SHOULDER SCREW D=4.5 I	5				
36		*	SS4110615SP			SCREW 11/64-40 L=6	1				
37		*	SS7090510SP			SCREW 9/64-40 L=4.6	1				
38		*	WP0501016SD			WASHER 5X10.5X1	1				
39		*	WP0460556SD			WASHER 4.6X7.5X0.5	1				
40		*	40138484			TENSION PLATE LABEL	1				
41		*	B3129053000			TENSION SPRING	2				
42		*	22921407			ROTATION STOPPER	2				
43		*	40126265			DISK_RELEASE_LINK_ASM.	1				
44		*	40125873			DISK_RELEASE_LINK_BASE	1				
45		*	SM4050855SP			SCREW	1				
46		*	SS8661012TP			SCREW	1				
47		*	22528509			FELT	1				
48		*	RE0500000K0			E-RING	1				
49		*	40131657			LEAF_SPRING	1				
50		*	40131658			REPOSITIONING_PLATE	1				
51		*	SS9110460CP			SCREW 11/64-40 L=4	1				
52		*	SD0600346TP			SHOULDER SCREW	2				
53		*	22687701			SPRING SHAFT	1				
54		*	40131659			SPRING_BASE	1				
55		*	SM4050855SP			SCREW	2				
56		*	RE0700000K0			E-RING 7	2				
57		*	22687503			SPRING	2				
58		*	40032327			ASSY_REPOSITIONING_ARM	1				
59		*	40028556			REROSITIONING_ARM	1				
60		*	SM6051202TP			SCREW M5X0.8 L=12	1				

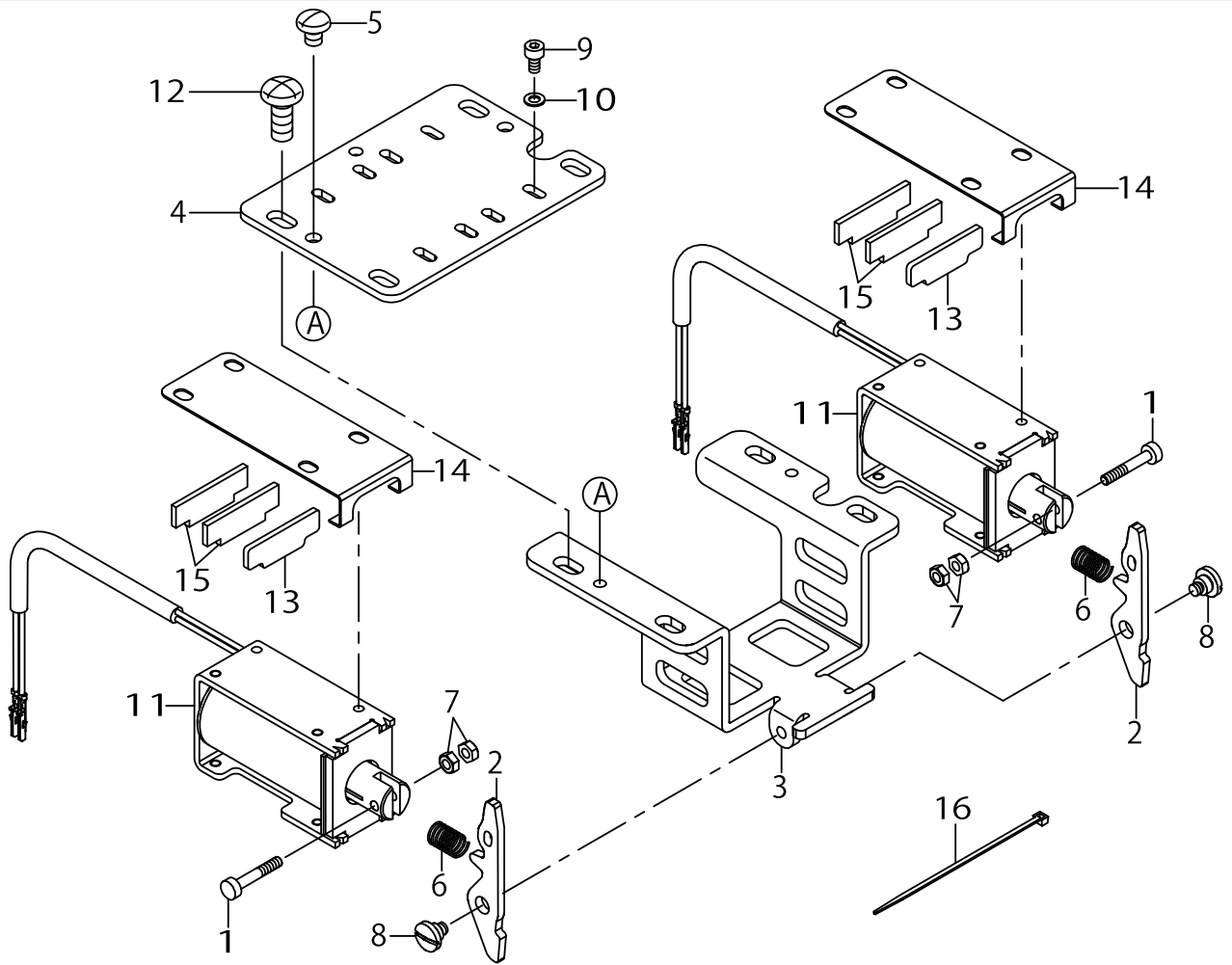
NEEDLE STOP CHANGE LEVER & THREAD TENSION COMPONENTS(FOR PLC-2765)



NEEDLE STOP CHANGE LEVER & THREAD TENSION COMPONENTS(FOR PLC-2765)

No.	C- ons	Le- vel	Parts No.	Replacement	Supply Code	Parts name	Qty	R- ep. Q- TY	Status	Spec	Remarks
61			SD0640752TP			SHOULDER SCREW D=6.35	1				
62			40028641			ADJUSTING_SPRING	1				
63			22615702			OIL ADJUSTING BALL	1				
64			SM8061212TP			SCREW M6X12	1				
65			NM6060001CP			NUT M6X1 TYPE1	1				
66			40138477			REPOSITIONING LEVER SH	1				
67			40131660			ASSY_REPOSITIONING_LEV	1				
68			SM6050450TP			SCREW M5 L=4	1				
69			SM8040412TP			SCREW M4X4	2				
70			40131662			RELEASE_LEVER_PLATE_B/	1				EXCEPT AK,BT
71			SM4041401SC			SCREW M4X0.7 L=14	2				EXCEPT AK,BT
72			40131663			RELEASE_LEVER_PLATE	1				
73			SD0800327TP			SHOULDER SCREW D=8 H=	2				
74			40131665			SPRING	1				
75			40131664			RELEASE_LEVER	1				
76			40131666			RELEASE_LEVER_COVER	1				
77			SM6040870SP			SCREW	2				
78			CM300400901			LABEL	1				FOR CHINA
79			CM300400902			LABEL	1				EXCEPT CHINA
80			SM4051001SN			SCREW M5	3				
81			40138933			RELEASE LEVER PLATE B	1				WITH AK,BT,DI
82			SM6041150TP			SCREW	2				WITH AK,BT,DI
83			40138934			SWICH COVER	1				WITH AK,BT,DI
84			SM4040501SN			SCREW M4X0.7 L=5	2				WITH AK,BT,DI
85			WP0460326SF			WASHER 4.6X7.8X0.3	2				
86			22912257			FEED REVERSE ARM ASM.	1				
87			22954309			REVERSE FEED SWITCH SF	1				

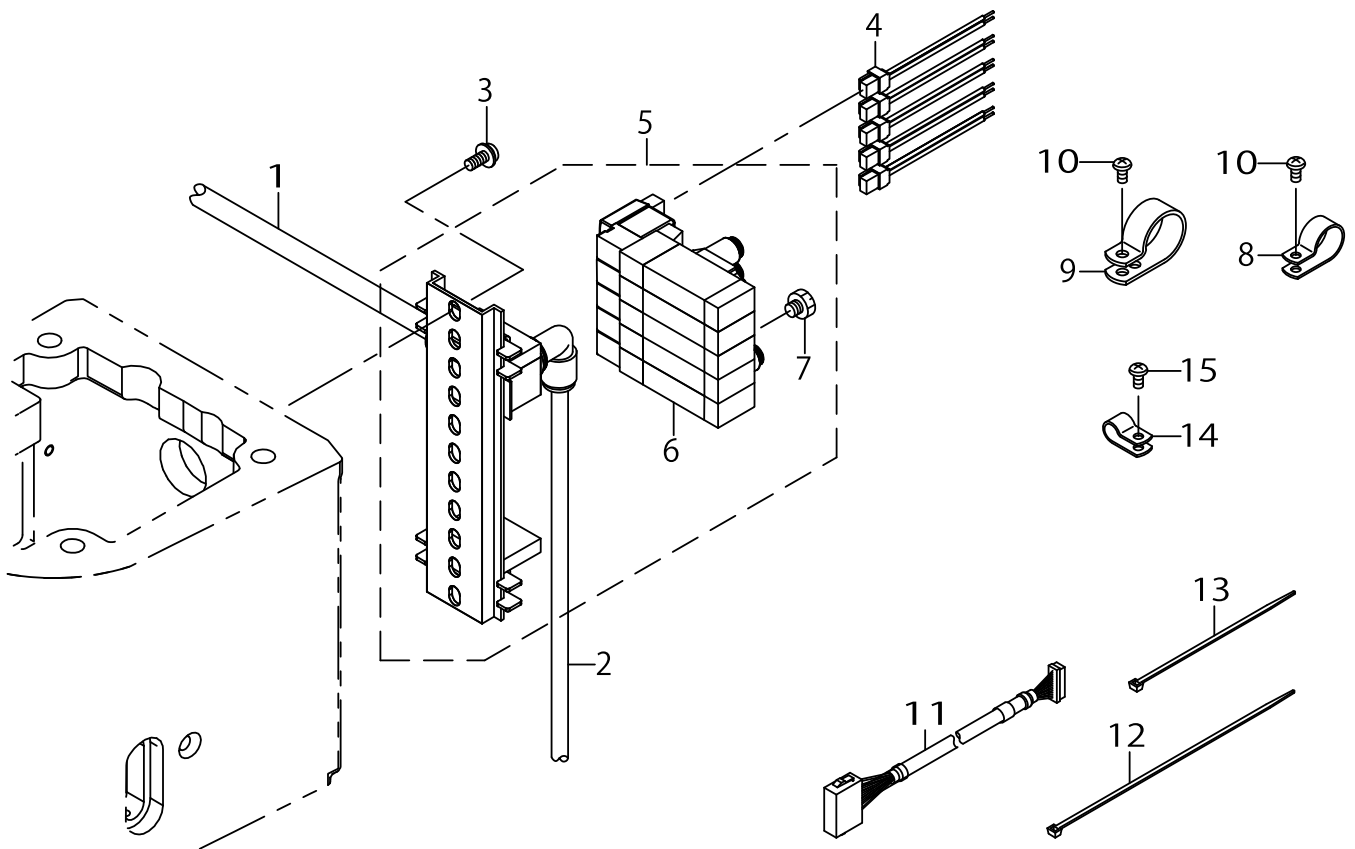
TENSION RELEASE COMPONENTS(FOR PLC-2710-7,2760-7)



TENSION RELEASE COMPONENTS(FOR PLC-2710-7,2760-7)

No.	C- ons	Le- vel	Parts No.	Replacement	Supply Code	Parts name	Qty	R- ep. Q- TY	Status	Spec	Remarks
1			23542418			CLUTCH LINK PIN	2				
2			40125948			RELEASE_SOLENOID_LINK	2				
3			40126263			SOLENOID_LINK_MOUNTIN	1				
4			40125949			RELEASE_SOLENOID_BASE	1				
5			SS4090515SP			SCREW 9/64-40 L=5	2				
6			32055501			AT (UPPER) SPRING	2				
7			NM6030001SC			NUT M3X0.5 TYPE1	4				
8			SD0550271TP			HINGE SCREW D=5.50 H=2.	2				
9			SM6030602TP			SCREW M3X0.5 L=6	8				
10			WP0320501SE	WP0320501SC		WASHER 3.2X7.0X0.5	8	1.00			
11			40130291			TENSION_RELEASE_SOLEN	2				
12			SM4051255SP			SCREW M5 L=12	4				
13			40126563			STOPPER_PLATE	2				
14			40126562			RUBBER HOLDER	2				
15			40086679			WIPER_STOPPER_RUBBER	4				
16			EA9500B0100			CABLE BAND	1				

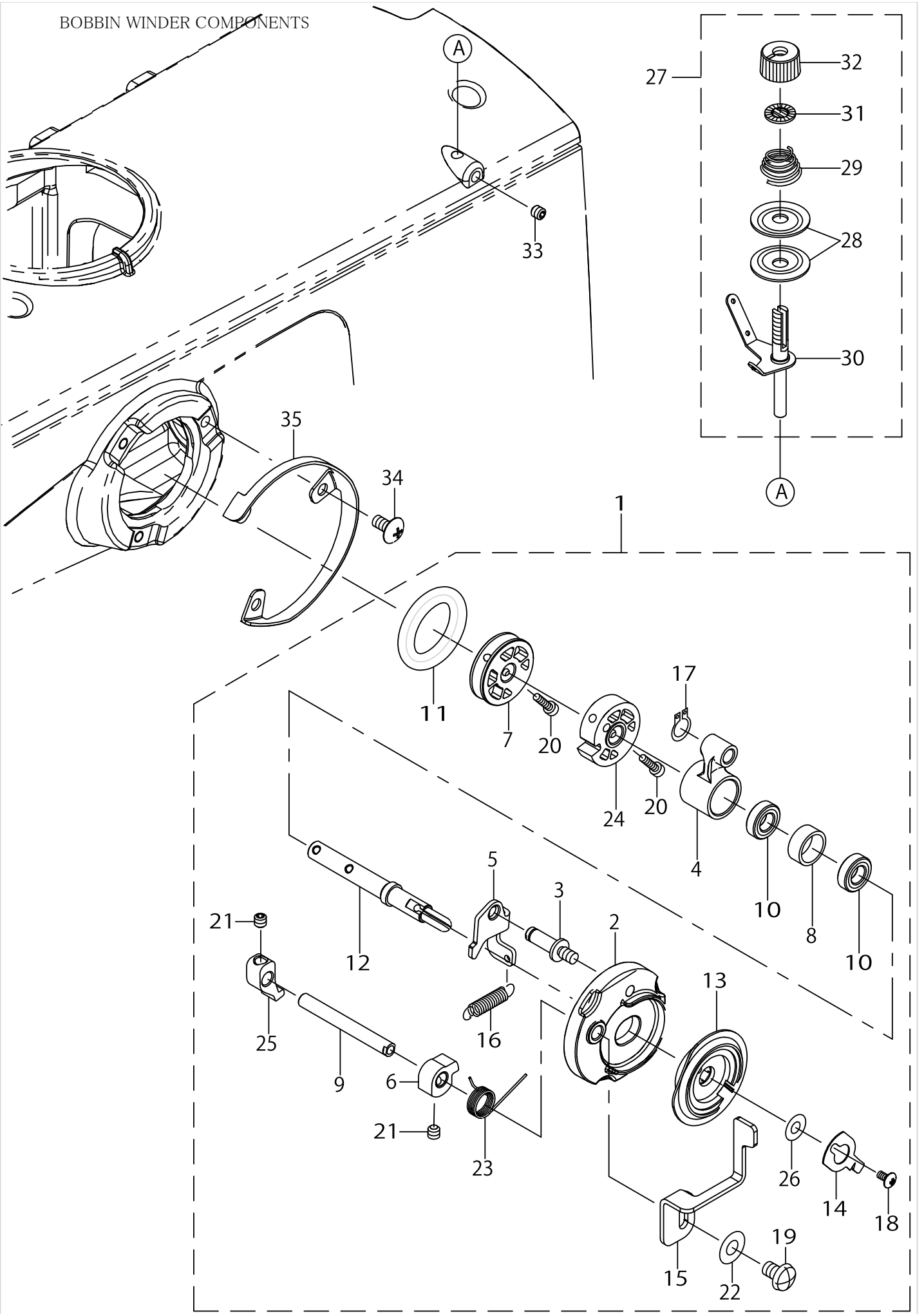
PNEUMATIC COMPONENTS(FOR PLC-2710-7,2760-7)



PNEUMATIC COMPONENTS(FOR PLC-2710-7,2760-7)

No.	C- ons	Le- vel	Parts No.	Replacement	Supply Code	Parts name	Qty	R- ep- Q- TY	Status	Spec	Remarks
1			BT0600401EB			TUBE	1.1				
2			BT0800501EB			VINYL TUBE	1.1				
3			SL4041091SC			SCREW M4 L=10	2				
4			40130284			SOLENOID VALVE CABLE	1				
5			40130283			SOLENOID_VALVE_ASM.	1				
6		*	PV150209100			SOLENOID VALVE	5				
7		*	PJ020500002			PLUG	4				
8			HX00150000H			CABLE CLIP	1				
9			HX00150000M			CABLE CLIP	1				
10			SM4040855SP			SCREW	2				
11			40126127			AIR VALVE RELAY CABLE	1				
12			EA9500B0200			CABLE BAND 150	3				
13			EA9500B0100			CABLE BAND	2				
14			HX00150000C			CABLE CLIP	1				
15			SM4040855SP			SCREW	1				

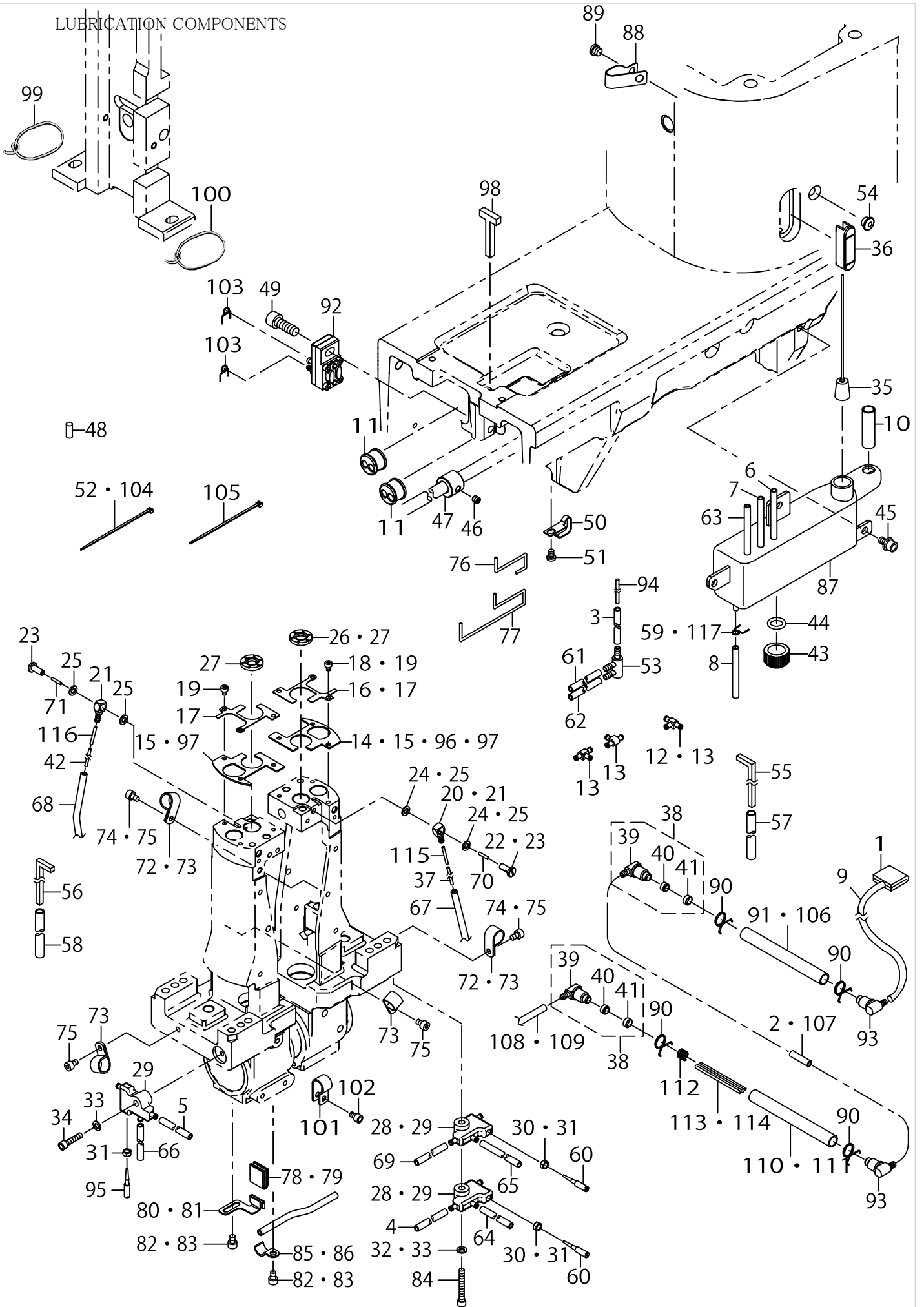
BOBBIN WINDER COMPONENTS



BOBBIN WINDER COMPONENTS

No.	C- ons	Le- vel	Parts No.	Replacement	Supply Code	Parts name	Qty	R- ep. Q- TY	Status	Spec	Remarks
1			40126355			BOBBIN_WINDER_UNIT	1				
2		*	26260109	26260000		BTW_BASE	1	1.00			
3		*	26260307			BTW_BASE_SHAFT	1				
4		*	26260406			BTW_SHAFT_BASE	1				
5		*	40126594			BTW_CAM_PLATE	1				
6		*	26260505			BTW_CAM_LEVER	1				
7		*	40125851			WINDER_WHEEL	1				
8		*	26260802	26260000		BTW_BEARING_SPACER	1	1.00			
9		*	26261008			BTW_LEVER_SHAFT	1				
10		*	40126354			WINDER_BEARING	1				
11	☆	*	26261503			BTW_WHEEL_RUBBER	1				
12		*	40126550			BOBBIN_SHAFT	1				
13		*	40125927			BOBBIN_BASE	1				
14		*	40126311			WINDER_CUTTER	1				
15		*	40151791			BOBBIN_LEVER	1				
16		*	13718507			SPRING	1				
17		*	RC0560711KP			RETAINING RING	1				
18		*	SM0030601SC			SCREW M3X0.5 L=6	1				
19		*	SM5040655SN			SCREW	1				
20		*	SM6031202TP			SCREW M3X0.5 L=12	1				
21		*	SM8050502TP			SCREW M5 L=5	2				
22		*	WP0450826SC			WASHER 4.5X10X0.8	1				
23		*	40126549			HELICAL_TORSION_COIL_S	1				
24		*	40125928			WINDER_LATCH_CAM	1				
25		*	40125844			WINDER_LATCH_B	1				
26		*	WP0320501SC			WASHER M3	1				
27			40088958			BOBBIN_THREAD_TENSION	1				
28		*	22921506			THREAD_TENSION_DISK	1				
29	☆	*	22921704			THREAD_TENSION_SPRING	1				
30		*	40088959			BOBBIN_THREAD_TENSION	1				
31		*	22921407			ROTATION_STOPPER	1				
32		*	22921308			THREAD_TENSION_NUT	1				
33			SM8051002TP			SCREW M5 L=10	1				
34			SM0051001SC			SCREW	3				
35			40152022			BTW_GUARD	1				

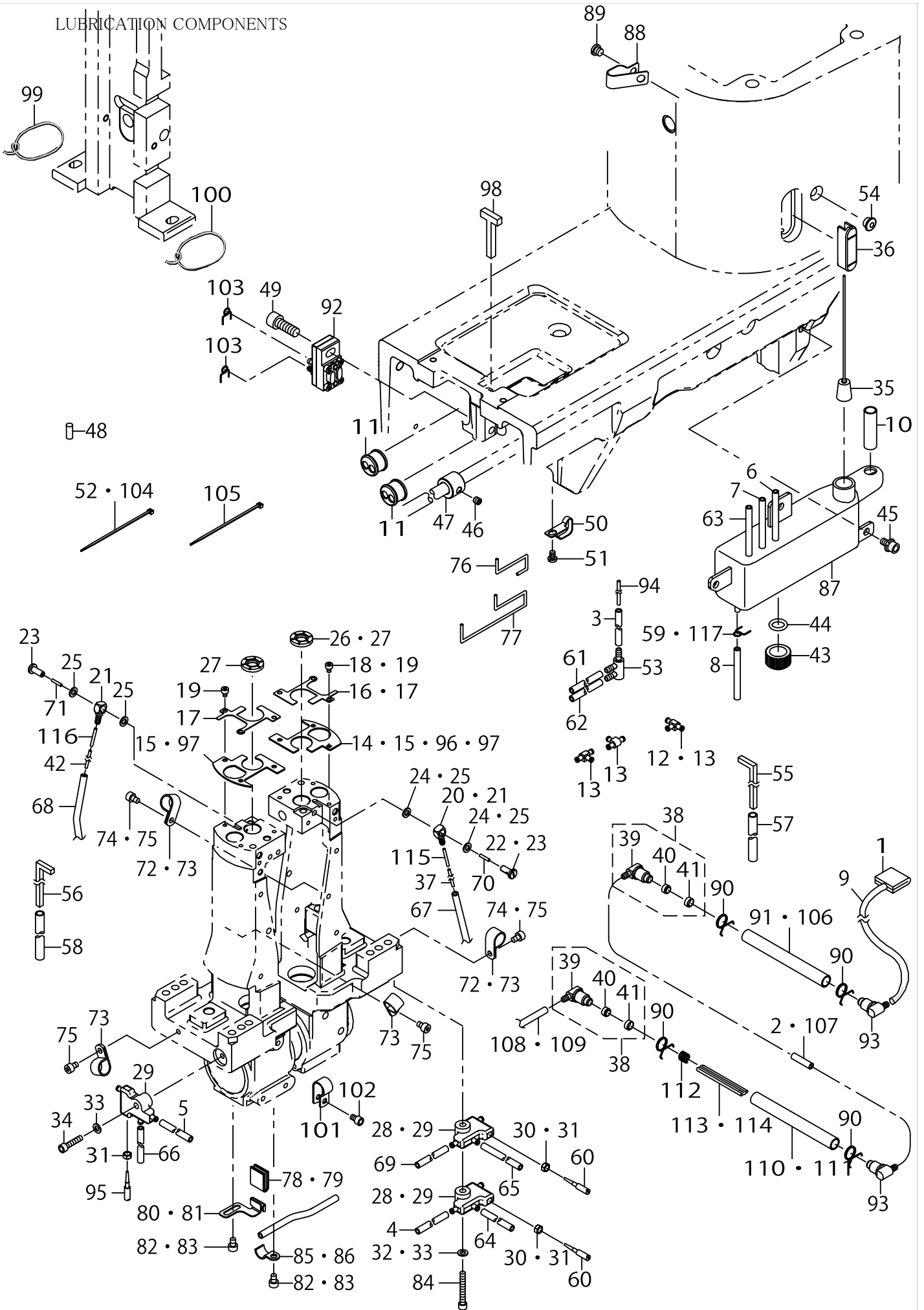
LUBRICATION COMPONENTS



LUBRICATION COMPONENTS

No.	C- ons	Le- vel	Parts No.	Replacement	Supply Code	Parts name	Qty	R- ep. Q- TY	Status	Spec	Remarks
1			40112320			FELT	1				
2			23630007			TUBE	.04				
3			23630007			TUBE	.04				
4			23630007			TUBE	.025				
5			23630007			TUBE	.2				
6			23630007			TUBE	1.15				
7			23630007			TUBE	.35				
8			23630007			TUBE	.02				
9			23630007			TUBE	.36				
10			23630106			TUBE B	.32				
11			22935308	11100104		MAGNET CORD RUBBER	2	1.00			
12			13765607			OIL CONNEC. ARM	1				FOR PLC-2710,;
13			13765607			OIL CONNEC. ARM	3				FOR PLC-2760,;
14			40130038			FELT	1				FOR PLC-2710-
15			40130038			FELT	2				FOR PLC-2760-
16			40130039			FELT HOLDER	1				FOR PLC-2710,;
17			40130039			FELT HOLDER	2				FOR PLC-2760,;
18			SM6030402TP			SCREW M3X0.5 L=4	3				FOR PLC-2710,;
19			SM6030402TP			SCREW M3X0.5 L=4	6				FOR PLC-2760,;
20			SQ0000401MZ			CONNECTING SCREW	1				FOR PLC-2710,;
21			SQ0000401MZ			CONNECTING SCREW	2				FOR PLC-2760,;
22			B3525357000			CONNECTING SCREW (B)	1				FOR PLC-2710,;
23			B3525357000			CONNECTING SCREW (B)	2				FOR PLC-2760,;
24			B3534012000			GASKET	2				FOR PLC-2710,;
25			B3534012000			GASKET	4				FOR PLC-2760,;
26			40130037			GROOVE_WASHER	1				FOR PLC-2710,;
27			40130037			GROOVE_WASHER	2				FOR PLC-2760,;
28			40032804			BASE	2				FOR PLC-2710,;
29			40032804			BASE	3				FOR PLC-2760,;
30			NS6110310SP			HEXAGONAL NUT 11/64-4	2				FOR PLC-2710,;
31			NS6110310SP			HEXAGONAL NUT 11/64-4	3				FOR PLC-2760,;
32			WP0430800SD			WASHER M4	1				FOR PLC-2710,;
33			WP0430800SD			WASHER M4	2				FOR PLC-2760,;
34			SM6041802TP			SCREW M4 L=18	1				FOR PLC-2760,;
35			23628357			FLOATER ASM.	1				
36			40036167			OIL_GAGE	1				
37			CQ200000000			OIL WICK	.27				
38			23630650			OIL FILTER JOINT ASM.	2				
39		*	23630601			OIL FILTER JOINT	1				
40		*	23630403	23630650		OIL FILTER	1	1.00			
41		*	23630502	23630650		OIL FILTER STOPPER	1	1.00			
42			CQ200000000			OIL WICK	.27				FOR PLC-2760,;
43			40013595			OIL_EXIT_CAP	1				
44			RO098240100			O-RING	1				
45			SL6051092TN			SCREW M5 L=10	3				
46			SM8050512TP			SCREW	1				
47			40101721			ECCENTRIC_CAM	1				
48			23540305			CAP	1				FOR PLC-2710,;
49			SM6061802TP			SCREW M6 L=18	1				
50			40022407			CORD HOLDER	1				
51			SM4040655SP			SCREW M4 L=6	1				
52			EA9500B0100			CABLE BAND	4				FOR PLC-2710,;
53			23629504			DISTRIBUTOR	1				
54			40126582			RUBBER_PLUG	1				
55			10773000			FELT	1				FOR PLC-2710,;
56			10773000			FELT	2				FOR PLC-2760,;
57			BP500000000			VINYL PIPE	.2				
58			BP500000000			VINYL PIPE	.2				FOR PLC-2760,;
59			13142609			OIL TUBE HOLDER	7				FOR PLC-2710,;
60			B1834512000A			OIL ADJUSTING SCREW	2				

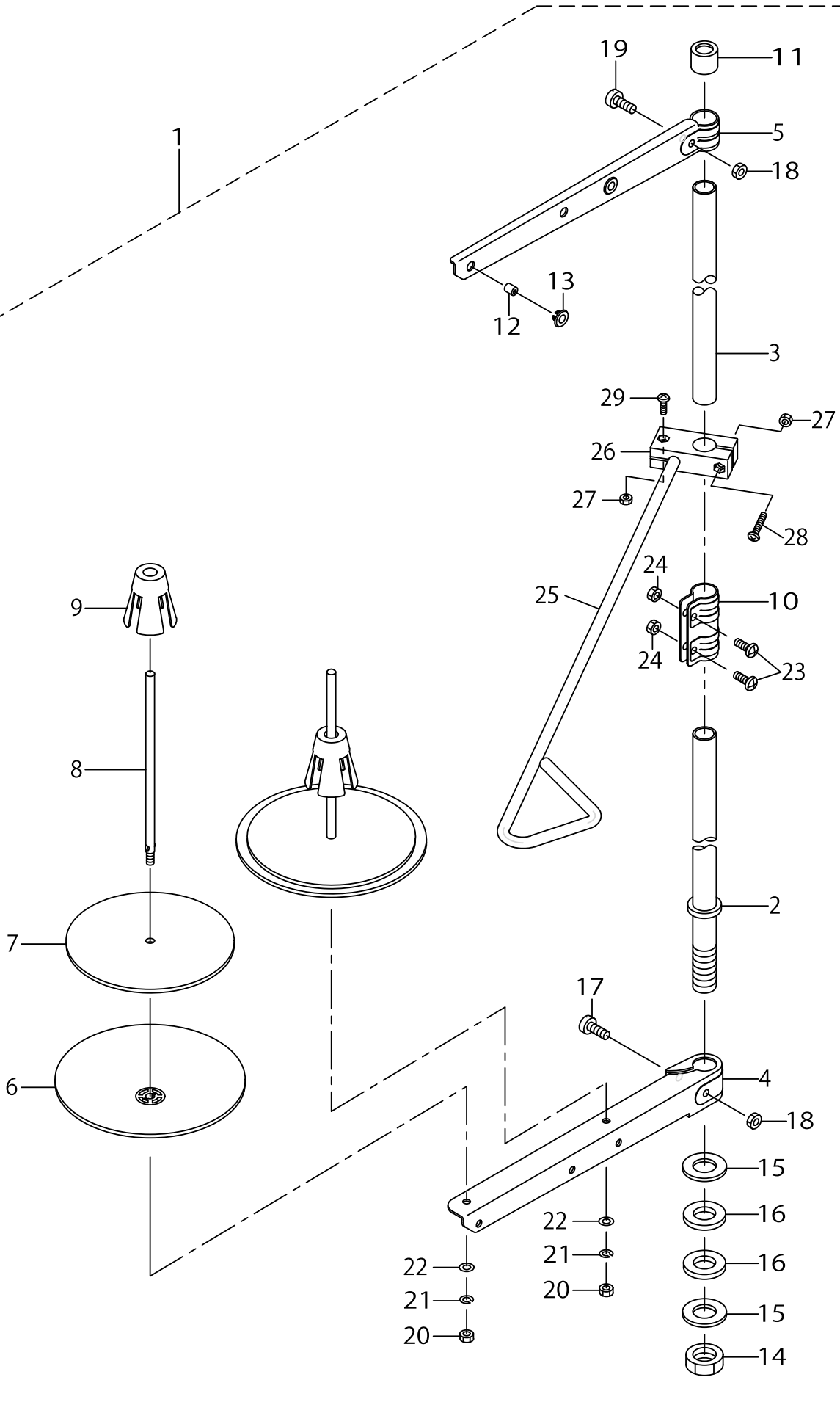
LUBRICATION COMPONENTS



LUBRICATION COMPONENTS

No.	C- ons	Le- vel	Parts No.	Replacement	Supply Code	Parts name	Qty	R- ep- Q- TY	Status	Spec	Remarks
61			23630007			TUBE	.12				
62			23630007			TUBE	.14				
63			23630007			TUBE	.35				
64			23630007			TUBE	.08				FOR PLC-2760,;
65			23630007			TUBE	.09				FOR PLC-2760,;
66			23630007			TUBE	.25				FOR PLC-2760,;
67			23630007			TUBE	.3				
68			23630007			TUBE	.3				FOR PLC-2760,;
69			23630007			TUBE	.26				FOR PLC-2760,;
70			CQ202000000			COTTON OIL WICK D=2	.08				
71			CQ202000000			COTTON OIL WICK D=2	.012				FOR PLC-2760,;
72			HX00150000D			CABLE CLAMP	2				FOR PLC-2710,;
73			HX00150000D			CABLE CLAMP	4				FOR PLC-2760,;
74			SM6040602TP			SCREW M4X0.7 L=6	2				FOR PLC-2710,;
75			SM6040602TP			SCREW M4X0.7 L=6	4				FOR PLC-2760,;
76			CQ202000000			COTTON OIL WICK D=2	.08				FOR PLC-2710,;
77			CQ202000000			COTTON OIL WICK D=2	.48				FOR PLC-2760,;
78			40133762			VILENE	1				FOR PLC-2710,;
79			40133762			VILENE	2				FOR PLC-2760,;
80			40133595			VILENE HOLDER	1				FOR PLC-2710,;
81			40133595			VILENE HOLDER	2				FOR PLC-2760,;
82			SM6040602TP			SCREW M4X0.7 L=6	3				FOR PLC-2710,;
83			SM6040602TP			SCREW M4X0.7 L=6	6				FOR PLC-2760,;
84			SM6043002TN			SCREW	1				
85			D2611555B00		Disconinue	CABLE HOLDER	1				FOR PLC-2710,;
86			D2611555B00		Disconinue	CABLE HOLDER	2				FOR PLC-2760,;
87			40133922			OIL_TANK	1				
88			D2112555B00			CORD HOLDER	1				
89			SM6060550TP			SCREW M6 L=4.5	1				
90			23629405			PIPE STOPPER B	8				
91			23630106			TUBE B	.03				
92			40101719			PUMP_BASE_ASSY	1				
93			23630601			OIL FILTER JOINT	6				
94			CQ252000000			OIL WICK	.025				
95			B1834512000A			OIL ADJUSTING SCREW	1				FOR PLC-2760,;
96			40137885			FELT	1				FOR PLC-2710
97			40137885			FELT	2				FOR PLC-2760,;
98			40137517			FELT	1				
99			CQ200000000			OIL WICK	.1				
100			CQ200000000			OIL WICK	.1				
101			HX00150000D			CABLE CLIP	1				FOR PLC-2760,;
102			SM6040602TP			SCREW M4 L=6	1				FOR PLC-2760,;
103			23629306			PIPE STOPPER A	2				
104			EA9500B0100			CABLE BAND	5				FOR PLC-2760,;
105			EA9500B0200			CABLE BAND 150	3				
106			23630106			TUBE B	.03				
107			23630007			TUBE	.05				
108			23630007			TUBE	.1				
109			23630007			TUBE	.1				
110			23630106			TUBE B	.09				
111			23630106			TUBE B	.09				
112			12210803			SPRING	2				
113			CQ300000000	CQ303000000		OIL WICK	.26	1.00			
114			CQ300000000	CQ303000000		OIL WICK	.26	1.00			
115			12316907			OIL WICK (VERTICAL C)	1				
116			12316907			OIL WICK (VERTICAL C)	1				FOR PLC-2760,;
117			13142609			OIL TUBE HOLDER	10				FOR PLC-2760,;

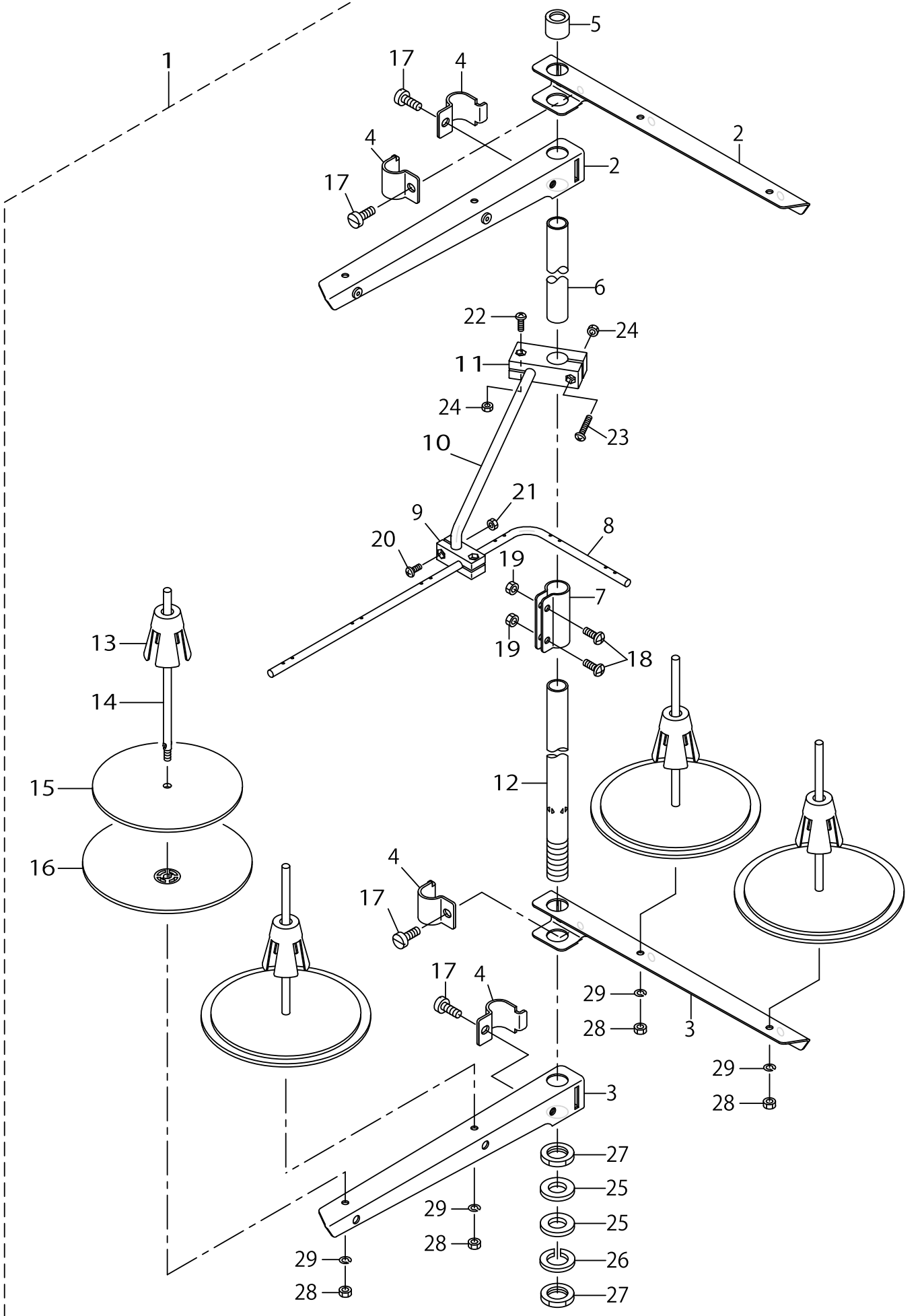
THREAD STAND COMPONENTS(FOR PLC-2710,2710-7)



THREAD STAND COMPONENTS(FOR PLC-2710,2710-7)

No.	C- ons	Le- vel	Parts No.	Replacement	Supply Code	Parts name	Qty	R- ep. Q- TY	Status	Spec	Remarks
1			40111351	40111352		THREAD STAND ASM.	1	1.00			
2		*	40085784			SPOOL REST ROD LOWER	1				
3		*	40085785			SPOOL REST ROD UPPER	1				
4		*	40085786			SPOOL REST ARM LOWER	1				
5		*	40085787			SPOOL REST ARM UPPER	1				
6		*	40085788			SPOOL REST	2				
7		*	40085789			SPOOL REST CUSHION	2				
8		*	40085790			SPOOL PIN	2				
9		*	40085791			SPOOL RETAINER	2				
10		*	40085792			SPOOL REST ROD JOINT	1				
11		*	40085793			SPOOL REST ROD RUBBER	1				
12		*	40085794			THREAD GUIDE	2				
13		*	40085795			THREAD GUIDE BUSHING	2				
14		*	40096325			SPOOL REST ROD NUT	1				
15		*	WP1612616SE			WASHER 16X30X2.6	2				
16		*	40085796			SPOOL REST ROD RUBBER	2				
17		*	40096326			SPOOL REST ARM LOWER	1				
18		*	NM6050001SE			NUT M5	2				
19		*	40096327	SM4053001SE		SPOOL REST ARM UPPER S	1	1.00			
20		*	NM6050001SE			NUT M5	2				
21		*	WS0510002KN			SPRING WASHER M5	2				
22		*	WP0531001SC			WASHER M5	2				
23		*	SM4051405SE			SCREW M5 L=14	2				
24		*	NM6050001SE			NUT M5	2				
25		*	40111350			SPOOL REST THREAD GUI	1				
26		*	40106579			THREAD GUIDE ARM BASE	1				
27		*	NM6040002SC	NM6040002SE		NUT M4	2	1.00			
28		*	SM4042501SC			SCREW M4X0.7 L=25	1				
29		*	SM4041201SC			SCREW M4 L=12	1				

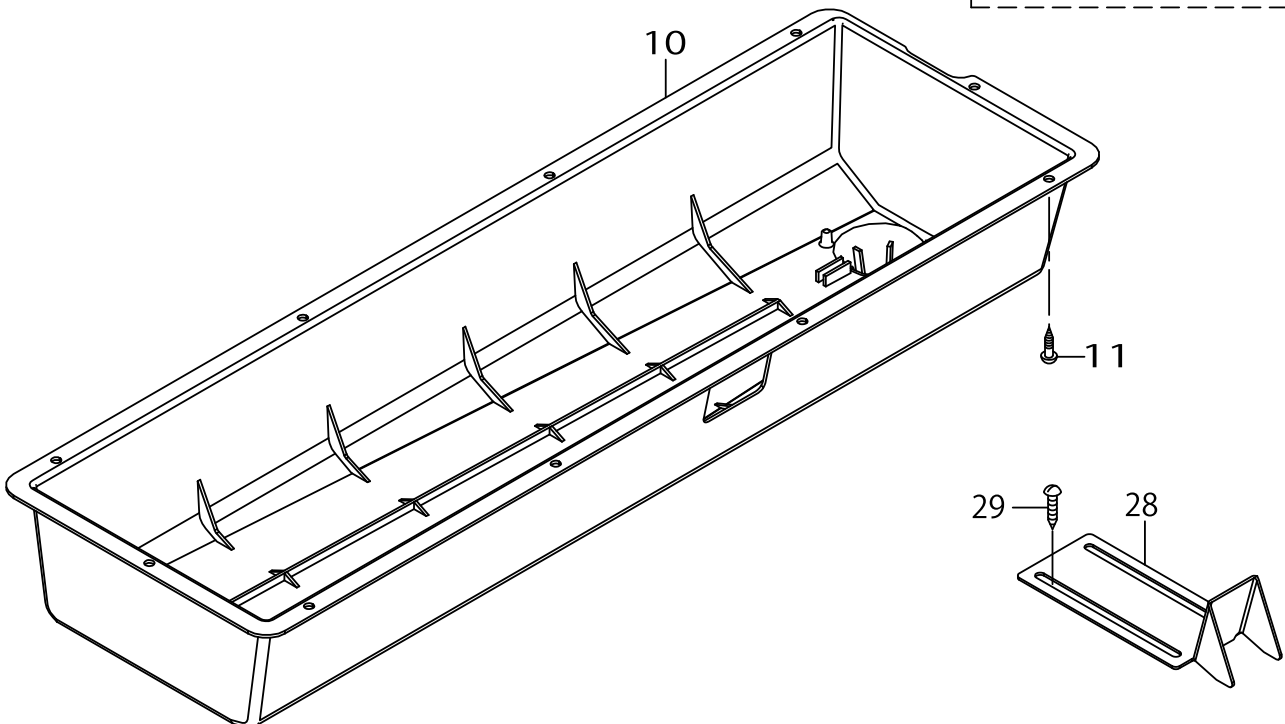
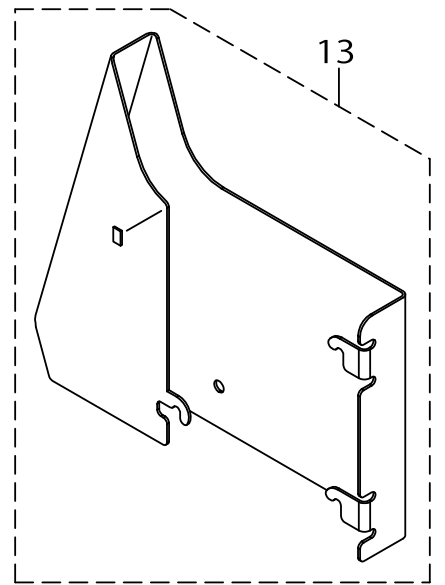
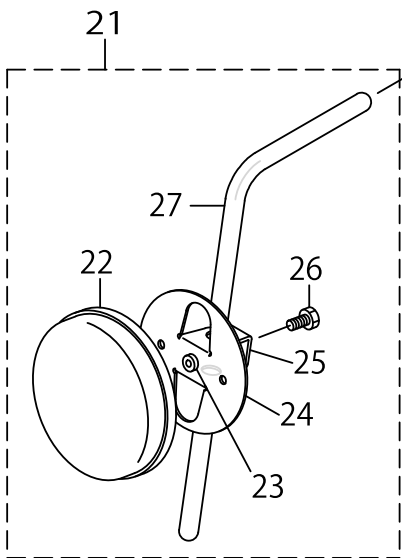
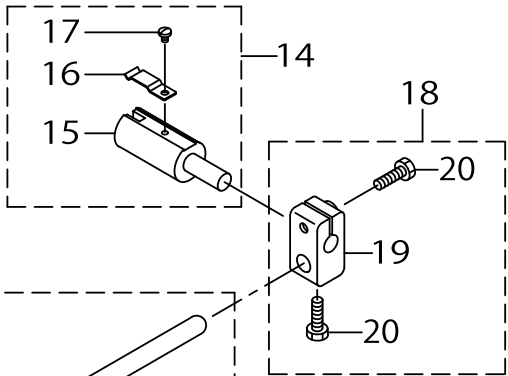
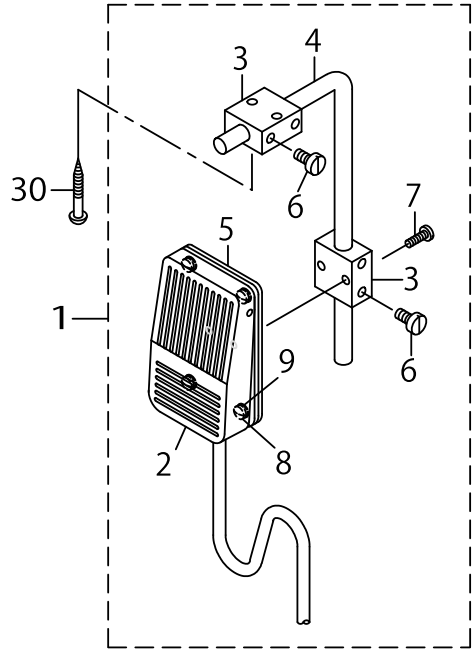
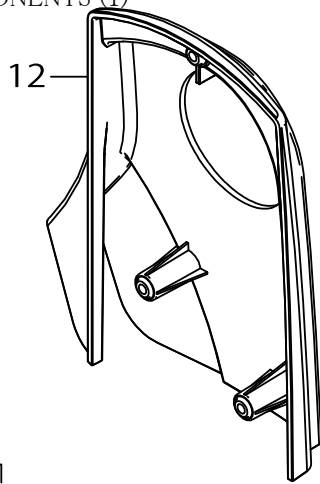
THREAD STAND COMPONENTS(FOR PLC-2760,2760-7,2760L,2765)



THREAD STAND COMPONENTS(FOR PLC-2760,2760-7,2760L,2765)

No.	C- ons	Le- vel	Parts No.	Replacement	Supply Code	Parts name	Qty	R- ep. Q- TY	Status	Spec	Remarks
1			13167556	40106584		THREAD STANDING DEVIC	1	1.00			
2		*	22930556	22930358		SPOOL REST ARM ASM.	2	1.00			
3		*	22930507	22930358		SPOOL REST ARM	2	1.00			
4		*	22930705	22930358		THREAD GUIDE ARM JOIN'	4	1.00			
5		*	22931406			THREAD STANDING ROD F	1				
6		*	22930408	22930358		THREAD STANDING ROD U	1	1.00			
7		*	22931307	22930358		THREAD STANDING ROD J	1	1.00			
8		*	13167903	26910059		THREAD STANDING THRE/	1	1.00			
9		*	13168000	26910059		THREAD STANDING GUIDE	1	1.00			
10		*	13168109	26910059		THREAD STANDING GUIDE	1	1.00			
11		*	13168208	26910059		THREAD STANDING GUIDE	1	1.00			
12		*	22930309	22930358		THREAD STANDING ROD L	1	1.00			
13		*	22931109	40085791		SPOOL RETAINER	4	1.00			
14		*	22931000	40085790		SPOOL PIN	4	1.00			
15		*	22930903			SPOOL REST CUSHION	4				
16		*	22930804			SPOOL REST	4				
17		*	SM6061610SC			SCREW M6 L=16	4				
18		*	SM4051405SE			SCREW M5 L=14	2				
19		*	NM6050001SE			NUT M5	2				
20		*	SM4041001SC			SCREW M4X0.7 L=10	2				
21		*	NM6040002SE			NUT M4X0.7	2				
22		*	SM4041201SC			SCREW M4 L=12	1				
23		*	SM4042001SC			SCREW M4X20	1				
24		*	NM6040002SE			NUT M4X0.7	2				
25		*	WP1612616SE			WASHER 16X30X2.6	2				
26		*	WS1643202KR			SPRING WASHER	1				
27		*	NM6160511SE			NUT M16X1.5	2				
28		*	NM6050001SE			NUT M5	4				
29		*	WS0510002KN			SPRING WASHER	4				

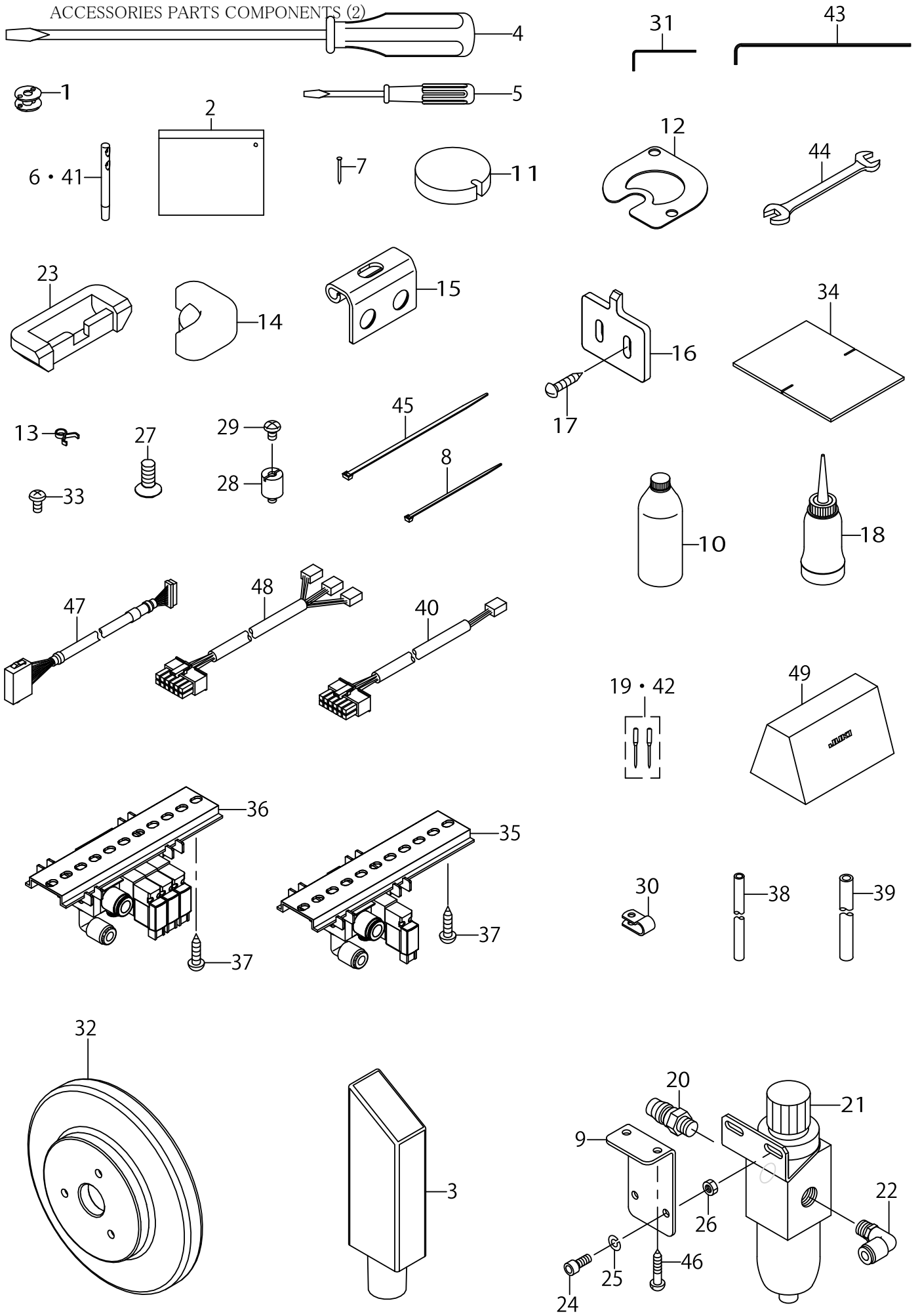
ACCESSORIES PARTS COMPONENTS (1)



ACCESSORIES PARTS COMPONENTS (1)

No.	C- ons	Le- vel	Parts No.	Replacement	Supply Code	Parts name	Qty	R- ep. Q- TY	Status	Spec	Remarks
1			40025036			KNEE SWITCH ASM.	1				FOR PLC-2710-
2		*	40025035			KNEE SWITCH ASM.	1				
3		*	MAT80230T00			KNEE SWITCH SUPPORT B	2				
4		*	MAT80231T00			DRIVING BAR T002	1				
5		*	MAT80232T00		Disconinue	KNEE SWITCH SUPPORT P	1				
6		*	SS6151220SP			SCREW 15/64-28 L=11.5	4				
7		*	SS7111410SP	SS7111410TP		SCREW 11/64-40 L=14	2	1.00			
8		*	SS7110710SL			SCREW 11/64-40 L=7.0	4				
9		*	WP0480856SP			WASHER 4.8X8.4X0.8	4				
10			40126155			OIL_PAN	1				
11			SK3482001SE			WOOD SCREW D=4.8 L=20	10				FOR PLC-2710,; FOR PLC-2710,; FOR PLC-2710,;
12			40139001			BELT COVER ASM.	1				
13			40135153			POST COVER ASM.	1				
14			22863252			KNEE LIFTER JOINT ASM.	1				
15		*	22863203	22863252		KNEE LIFTER JOINT	1	1.00			
16		*	B3428521000			PRESSER SPRING	1				FOR PLC-2710,;
17		*	SS7090510SP			SCREW 9/64-40 L=4.6	1				
18			22932453			BRACKET ASM.	1				
19		*	22932404	22932453		BRACKET	1	1.00			
20		*	22934707			SCREW	2				
21			21343157			KNEE PRESS PLATE ASM.	1				FOR PLC-2710,;
22		*	22934509			KNEE PAD PLATE COVER	1				
23		*	22934400			KNEE PAD PLATE RUBBER	1				
24		*	22934202			KNEE PAD PLATE	1				
25		*	22934301			KNEE PAD PLATE SUPPOR	1				
26		*	SM9061203SE			SCREW M6 L=12	1				FOR PLC-2710,; FOR PLC-2710,; FOR PLC-2710-;
27		*	21343108	21343157		KNEE PRESS LEVER	1	1.00			
28			40130909			POST_COVER_B	1				
29			SK3482500SC	SK3482501SE		WOOD SCREW D=4.8 L=25	2	1.00			
30			SK3514000SC	SK3514001SE		WOOD SCREW D=5.1 L=40	2	1.00			

ACCESSORIES PARTS COMPONENTS (2)



ACCESSORIES PARTS COMPONENTS (2)

No.	C- ons	Le- vel	Parts No.	Replacement	Supply Code	Parts name	Qty	R- ep- Q- TY	Status	Spec	Remarks
1	☆		21334800			ALUMINUM BOBBIN WITH	1				
2			22932800			ACCESSORIE BAG	1				
3			40133301			FRAME_SUPPORT_BAR	1				
4			22933105			SCREW DRIVER MIDDLE	1				
5			22933204			SCREW DRIVER SMALL	1				
6			22958300			NEEDLE THREAD GUIDE P	1				FOR PLC-2710,;
7			10539906			SET NAIL	12				
8			EA9500B0100			CABLE BAND	2				FOR PLC-2710(
9			13860408			REGULATOR BRACKET	1				FOR PLC-2710-
10			MDFRX1600C0			DEFRIX OIL NO.1(600CC)	1				
11			40126405			OIL_FILTER	1				
12			40126267			FELT HOLDER	1				
13			23629306			PIPE STOPPER A	2				
14			40126152			CUSHION RUBBER	2				
15			40131015			HINGE	2				
16			40131014			HINGE_STOPPER	2				
17			SK3482500SC	SK3482501SE		WOOD SCREW D=4.8 L=25	4	1.00			
18			B91210120A0			OILER ASM.	1				
19	☆		M13517B1402			NEEDLE 135X17 #140-2	1				
20			PJ025100003			PLUG	1				FOR PLC-2710-
21			PF055107000			FILTER REGULATOR	1				FOR PLC-2710-
22			PJ304065101			ELBOW UNION 6XPT1/8	1				FOR PLC-2710-
23			22926000	22958052		RUBBER CUSHION	2	1.00			
24			SM6051202TP			SCREW M5X0.8 L=12	2				FOR PLC-2710-
25			WS0510002KN			SPRING WASHER M5	2				FOR PLC-2710-
26			NM6050001SP			NUT M5	2				FOR PLC-2710-
27			B1516210D00			SCREW	4				
28			40126222			CP_SPACER	2				FOR PLC-2710-
29			SM4050855SP			SCREW	2				FOR PLC-2710-
30			HX00150000B			CABLE CLIP	1				FOR PLC-2710-
31			40079298			WRENCH	1				
32			40026457			HAND WHEEL B	1				FOR PLC-2710,;
33			SM4051055SP			SCREW	9				FOR PLC-2710,;
34			40133730			OIL FILTER	1				
35			40133982			SOLENOID VALVE ASM.	1				FOR PLC-2710(
36			40133978			SOLENOID VALVE ASM.	1				FOR PLC-2710(
37			SK3482001SE			WOOD SCREW D=4.8 L=20	2				FOR PLC-2710(
38			BT0600401EB			TUBE	1.1				FOR PLC-2710(
39			BT0800501EB			VINYL TUBE	1.1				FOR PLC-2710(
40			40133983			SOLENOID VALVE CABLE	1				FOR PLC-2710(
41			22958300			NEEDLE THREAD GUIDE P	2				FOR PLC-2760,;
42	☆		M13517B2002			NEEDLE 135X17 #200-2	1				FOR PLC-2760L
43			10777407			WRENCH 2.5MM	1				
44			B9113012000			WRENCH (9X10)	1				
45			EA9500B0200			CABLE BAND 150	3				FOR PLC-2710(
46			SK3482001SE			WOOD SCREW D=4.8 L=20	2				FOR PLC-2710-
47			40133985			AIR VALVE RELAY CABLE	1				FOR PLC-2710(
48			40133979			SOLENOID VALVE CABLE	1				FOR PLC-2710(
49			40027770			VINYL COVER	1				


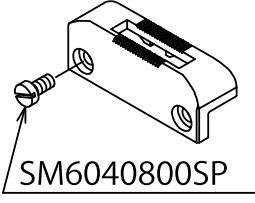
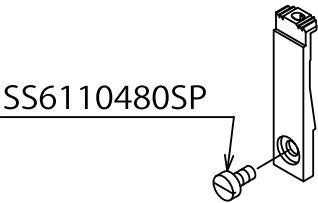

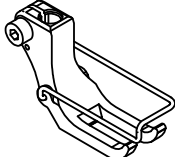
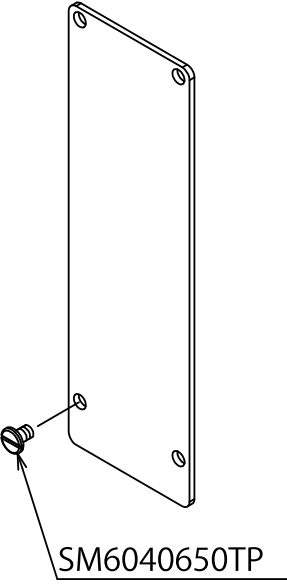
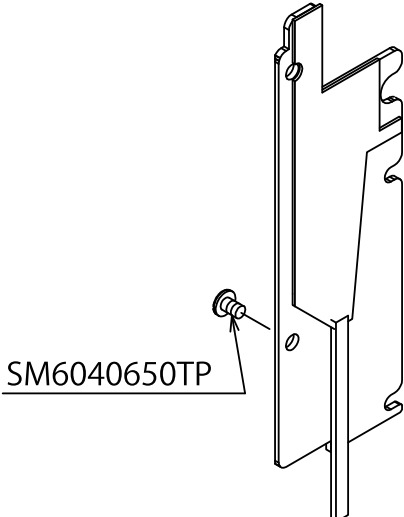
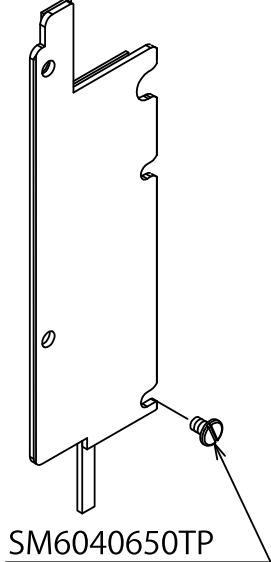
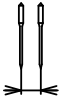
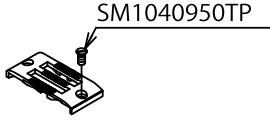
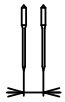
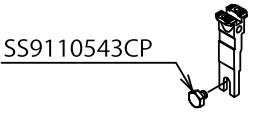
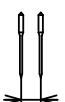
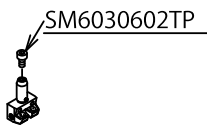
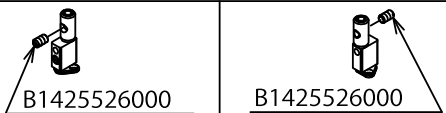
Needle bar thread guide 針棒糸掛け		Needle plate 針板			
		PLC-2710		PLC-2710-7	
					
Ref.No.	1	Ref.No.	2	Ref.No.	3
Part No.	B1418-141-H00	Part No.	401-30068	Part No.	401-30067
Feed dog 送り歯		Feed foot asm. 送り足 (組)		Presser foot asm. 押え足 (組)	
					
Ref.No.	4	Ref.No.	5	Ref.No.	6
Part No.	401-30061	Part No.	107-11653	Part No.	107-12552
Feed lever base cover 送りてこ台カバー		Feed lever base cover F asm. 側面カバーF (組)		Feed lever base cover A asm. 側面カバーA (組)	
					
Ref.No.	7	Ref.No.	8	Ref.No.	9
Part No.	401-29979	Part No.	401-34098	Part No.	401-34097

TABLE OF EXCHANGING GAUGE PARTS(1)(FOR PLC-2760,2760-7,2760L,2765)

Needle gauge size 針幅		Throat plate 針板							
		PLC-2760		PLC-2760-7		PLC-2760L		PLC-2765	
Code コード									
	mm	Ref No.	Part No.	Ref No.	Part No.	Ref No.	Part No.	Ref No.	Part No.
B	6	1	401-31017	5	401-30927		-		-
C	8	2	401-31016	6	401-30908	42	401-53188	10	401-31016
D	10	3	401-30065	7	401-30064	9	401-30066	11	401-30065
E	12	4	401-31018	8	401-30928		-		-
B	6	34	401-44890	38	401-44901				
C	8	35	401-44893	39	401-44903				
D	10	36	401-44896	40	401-44905				
E	12	37	401-44899	41	401-44907				

Needle gauge size 針幅		Feed dog 送り歯					
		PLC-2760・2760-7		PLC-2760L		PLC-2765	
Code コード							
	mm	Ref No.	Part No.	Ref No.	Part No.	Ref No.	Part No.
B	6	12	401-30925		-		-
C	8	13	401-30907	43	401-53187	17	401-30907
D	10	14	401-30062	16	401-30063	18	401-30062
E	12	15	401-30926		-		-

Needle gauge size 針幅		Needle clamp asm. 針留め(組)		Needle clamp asm. Left 針留め(組)左		Needle clamp asm. Right 針留め(組)右	
Code コード							
	mm	Ref No.	Part No.	Ref No.	Part No.	Ref No.	Part No.
B	6	19	400-38778		-		-
C	8	20	400-38776	23	400-62043	25	400-62041
D	10	21	400-38774	24	230-23856	26	230-21355
E	12	22	400-38772		-		-



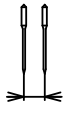
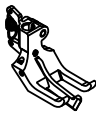
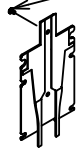
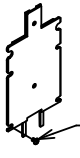
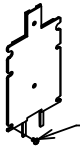
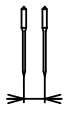
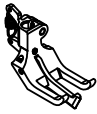
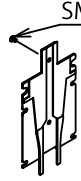
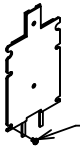
Needle gauge size 針幅		Feed foot for guide asm. ガイド用送り足(組)					
		PLC-2760・2760-7		PLC-2760L		PLC-2765	
Code コード							
	mm	Ref No.	Part No.	Ref No.	Part No.	Ref No.	Part No.
B	6	27	400-38854		-		-
C	8	28	400-38852	44	400-67204	32	400-38852
D	10	29	400-38850	31	400-39271	33	400-38850
E	12	30	400-38848		-		-

TABLE OF EXCHANGING GAUGE PARTS(1)(FOR PLC-2760,2760-7,2760L,2765)

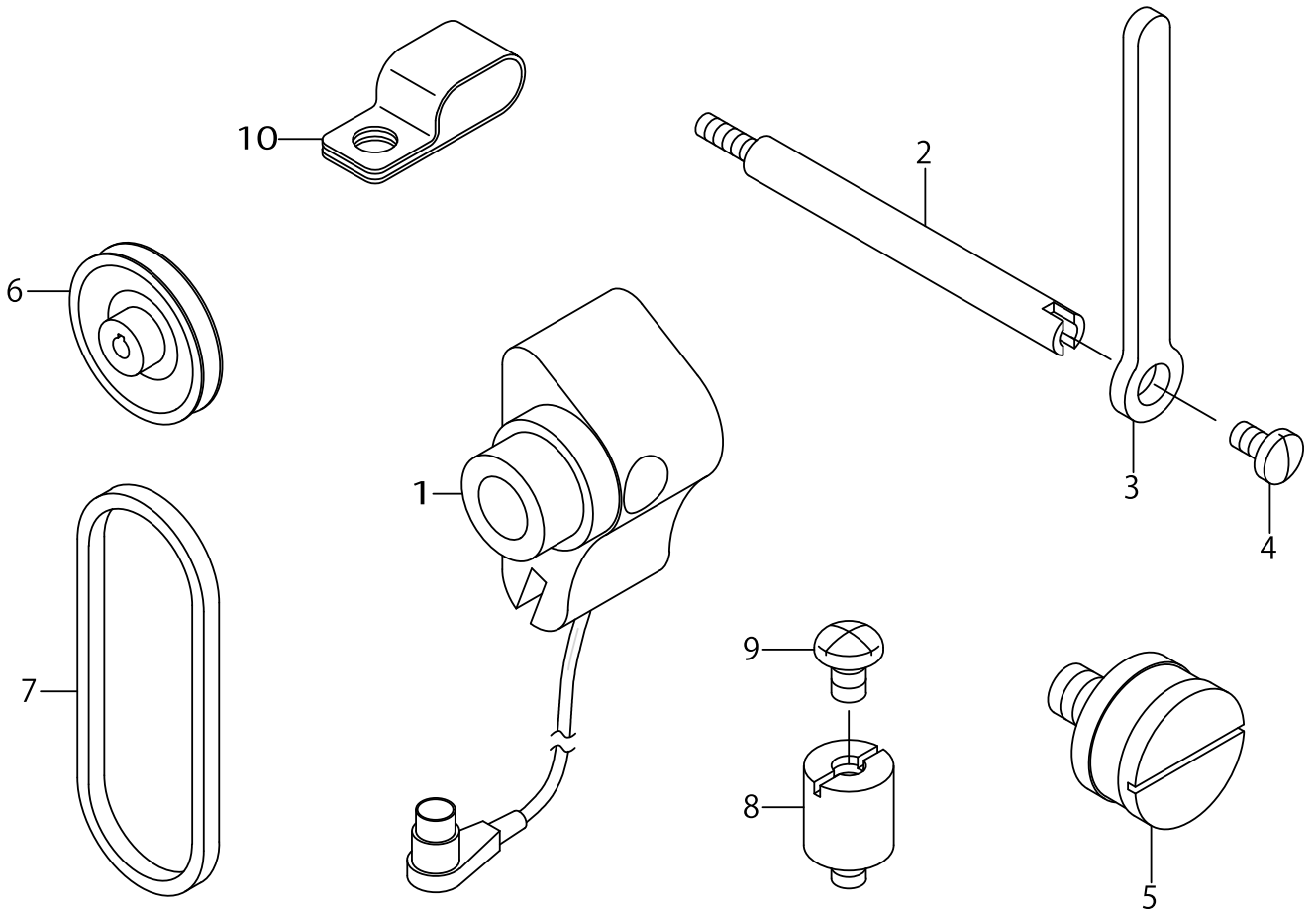
No.	C- ons	Le- vel	Parts No.	Replacement	Supply Code	Parts name	Qty	R- ep- Q- TY	Status	Spec	Remarks
1	☆		40131017			NEEDLE_PLATE_6MM_60	1				FOR PLC-2760
2	☆		40131016			NEEDLE_PLATE_8MM_60	1				FOR PLC-2760
3	☆		40130065			NEEDLE_PLATE	1				FOR PLC-2760
4	☆		40131018			NEEDLE_PLATE_12MM_60	1				FOR PLC-2760
5	☆		40130927			NEEDLE_PLATE_6MM_60.7	1				FOR PLC-2760-
6	☆		40130908			NEEDLE_PLATE_8MM_60.7	1				FOR PLC-2760-
7	☆		40130064			NEEDLE_PLATE	1				FOR PLC-2760-
8	☆		40130928			NEEDLE_PLATE_12MM_60.7	1				FOR PLC-2760-
9			40130066			NEEDLE_PLATE	1				FOR PLC-2760L
10			40131016			NEEDLE_PLATE_8MM_60	1				FOR PLC-2765
11			40130065			NEEDLE_PLATE	1				FOR PLC-2765
12	☆		40130925			FEED_DOG_6MM	1				
13	☆		40130907			FEED_DOG_8MM	1				
14	☆		40130062			FEED_DOG_10MM	1				
15	☆		40130926			FEED_DOG_12MM	1				
16			40130063			FEED_DOG_10MM_60L	1				FOR PLC-2760L
17			40130907			FEED_DOG_8MM	1				FOR PLC-2765
18			40130062			FEED_DOG_10MM	1				FOR PLC-2765
19	☆		40038778			NEEDLE_CLAMP(6MM)ASM	1				
20	☆		40038776			NEEDLE_CLAMP(8MM)ASM	1				
21	☆		40038774			NEEDLE_CLAMP(10MM)ASM	1				
22	☆		40038772			NEEDLE_CLAMP(12MM)ASM	1				
23			40062043			NEEDLE_CLAMP(L) 8MM A	1				FOR PLC-2765
24			23023856			NEEDLE_CLAMP LEFT ASM	1				FOR PLC-2765
25			40062041			NEEDLE_CLAMP (R) 8MM A	1				FOR PLC-2765
26			23021355			NEEDLE_CLAMP RIGHT AS	1				FOR PLC-2765
27	☆		40038854			FEED FOOT FOR GUIDE(6)	1				
28	☆		40038852			FEED FOOT FOR GUIDE(8)	1				
29	☆		40038850			FEED FOOT FOR GUIDE(10)	1				
30	☆		40038848			FEED FOOT FOR GUIDE(12)	1				
31			40039271			FEED FOOT FOR GUIDE(10)	1				FOR PLC-2760L
32			40038852			FEED FOOT FOR GUIDE(8)	1				FOR PLC-2765
33			40038850			FEED FOOT FOR GUIDE(10)	1				FOR PLC-2765
34			40144890			NEEDLE_PLATE_6MM_60_AS	1				OPTIONAL PAR
35			40144893			NEEDLE_PLATE_8MM_60_AS	1				OPTIONAL PAR
36			40144896			NEEDLE_PLATE_10MM_60_A	1				OPTIONAL PAR
37			40144899			NEEDLE_PLATE_12MM_60_A	1				OPTIONAL PAR
38			40144901			NEEDLE_PLATE_6MM_60.7_	1				OPTIONAL PAR
39			40144903			NEEDLE_PLATE_8MM_60.7_	1				OPTIONAL PAR
40			40144905			NEEDLE_PLATE_10MM_60.7	1				OPTIONAL PAR
41			40144907			NEEDLE_PLATE_12MM_60.7	1				OPTIONAL PAR
42			40153188			NEEDLE_PLATE_8MM_60L	1				
43			40153187			FEED_DOG_8MM_60L	1				
44			40067204			FEED FOOT FOR GUIDE(8)	1				

TABLE OF EXCHANGING GAUGE PARTS(2)(FOR PLC-2760,2760-7,2760L,2765)

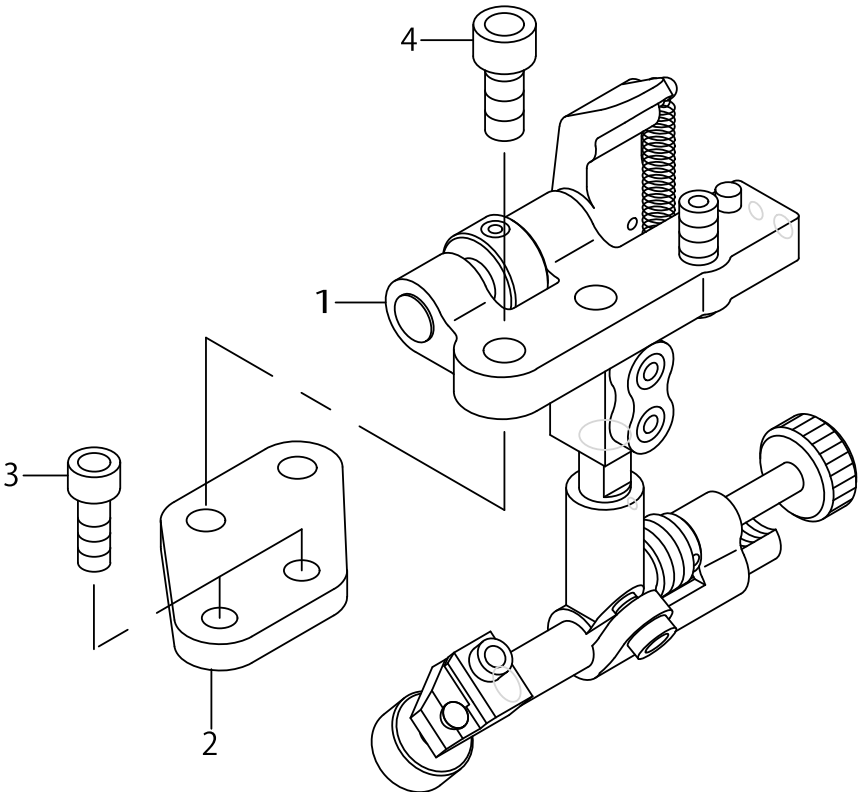
Needle gauge size 針幅		Presser foot with guide asm. センターガイド付き押え足 (組)				Feed lever base cover asm. 側面カバー (組)			
Code コード		PLC-2760L				PLC-2760L			
									
	mm	Ref No.	Part No.	Ref No.	Part No.	Ref No.	Part No.	Ref No.	Part No.
B	6	1	400-38810		-	6	401-34017		-
C	8	2	400-38808	15	400-38808	7	401-34018		-
D	10	3	400-38806	5	400-38806	8	401-34019	10	401-34019
E	12	4	400-38802		-	9	401-34020		-

Needle gauge size 針幅		Presser foot with guide asm. センターガイド付き押え足 (組)			Feed lever base cover asm. 側面カバー (組)		
Code コード		PLC-2765			PLC-2765		
							
	mm	Ref No.	Part No.	Ref No.	Part No.	Part No.	
B	6		-		-	-	
C	8	11	400-38808	13	401-34018	401-34018	
D	10	12	400-38806	14	401-34019	401-34019	
E	12		-		-	-	

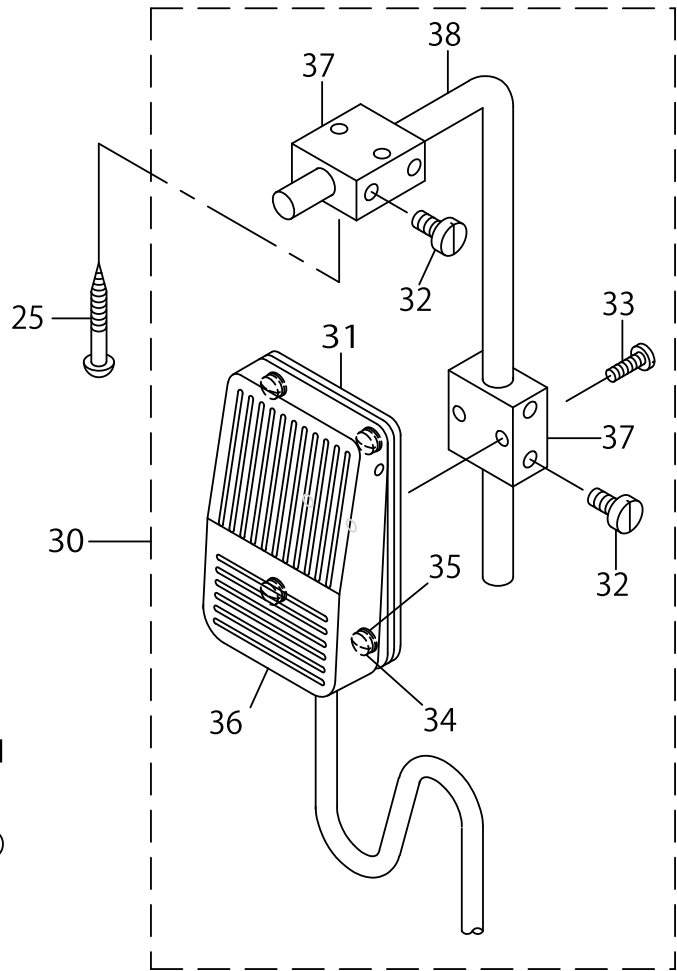
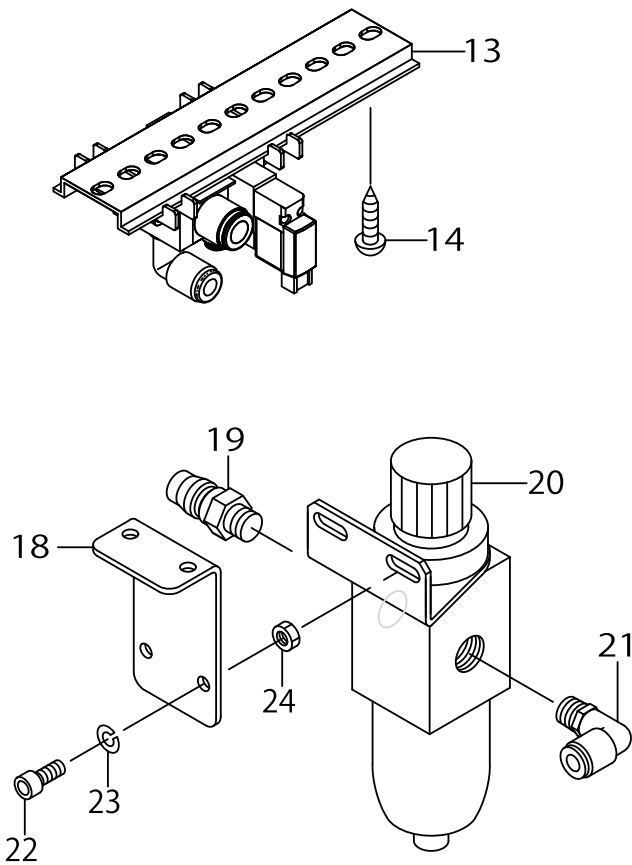
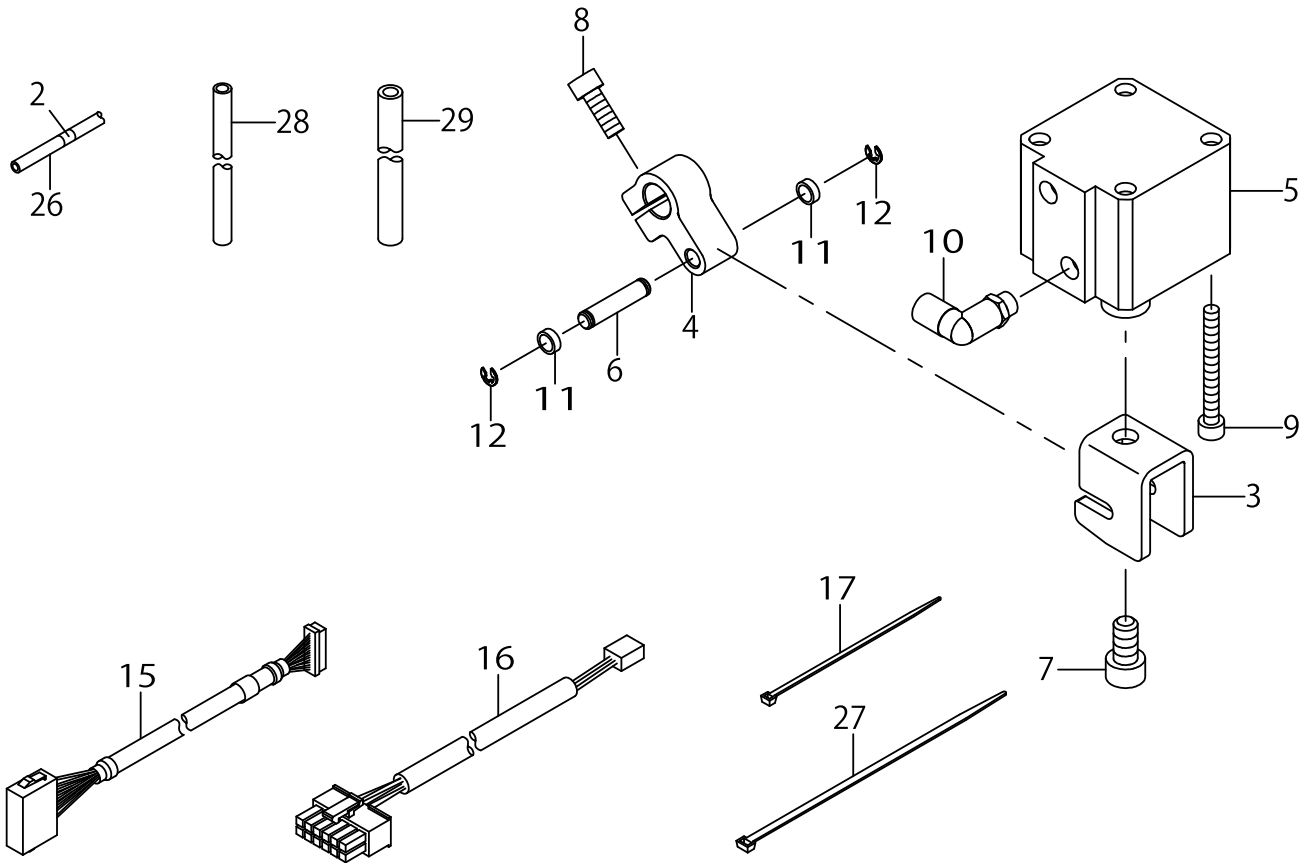
SC-922A KIT COMPONENTS (OPTIONAL PARTS)



SUSPENSION SQUARE COMPONENTS (OPTIONAL PARTS)



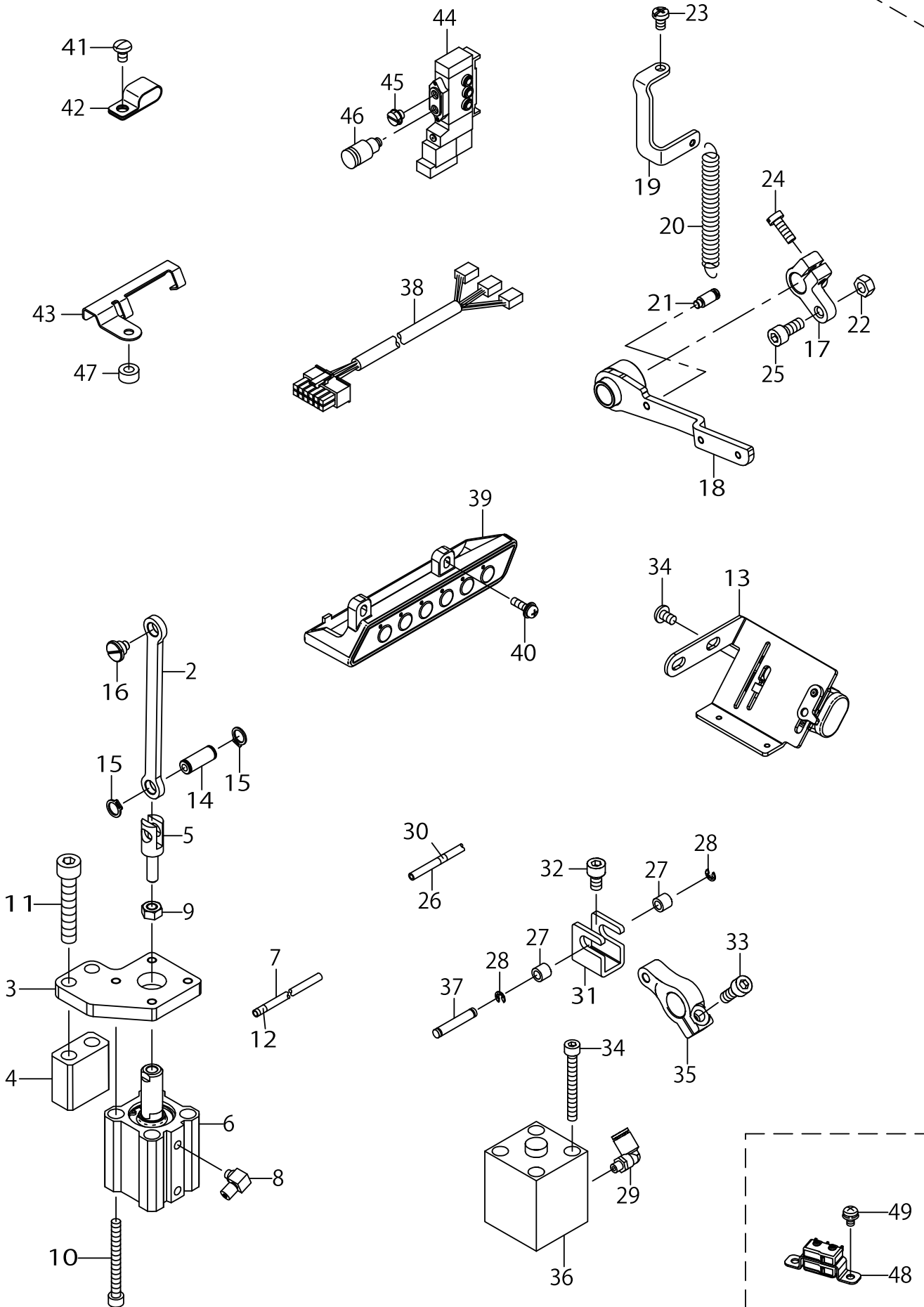
AK KIT COMPONENTS (OPTIONAL PARTS)(FOR PLC-2710,2760,2760L,2765)



AK KIT COMPONENTS (OPTIONAL PARTS)(FOR PLC-2710,2760,2760L,2765)

No.	C- ons	Le- vel	Parts No.	Replacement	Supply Code	Parts name	Qty	R- ep. Q- TY	Status	Spec	Remarks
1			40138572			AK KIT	1				
2		*	18035907			WIRE MARK (10)	2				
3		*	40112187			KNUCKLE_JOINT_A	1				
4		*	40112188			LIFTING_ARM	1				
5		*	PA400150200			AIR CYLINDER	1				
6		*	22949101			ROLLER FULCRUM SHAFT	1				
7		*	SM6081552TP			SCREW M8 L=15	1				
8		*	SM6061602TP			SCREW M6 L=16	1				
9		*	SM6054502TN			SCREW	4				
10		*	PJ304045102			ELBOW UNION C	1				
11		*	13951009			PRESSER FOOT ROLLER	2				
12		*	RE0400000K0			E-RING 4	2				
13		*	40133982			SOLENOID VALVE ASM.	1				
14		*	SK3482001SE			WOOD SCREW D=4.8 L=20	4				
15		*	40133985			AIR VALVE RELAY CABLE	1				
16		*	40133983			SOLENOID VALVE CABLE	1				
17		*	EA9500B0100			CABLE BAND	2				
18		*	13860408			REGULATOR BRACKET	1				
19		*	PJ025100003			PLUG	1				
20		*	PF055107000			FILTER REGULATOR	1				
21		*	PJ304065101			ELBOW UNION 6XPT1/8	1				
22		*	SM6051202TP			SCREW M5X0.8 L=12	2				
23		*	WS0510002KN			SPRING WASHER M5	2				
24		*	NM6050001SP			NUT M5	2				
25		*	SK3514000SC	SK3514001SE		WOOD SCREW D=5.1 L=40	2	1.00			
26		*	BT0400251EB			URETHANE HOSE BLACK	1.8				
27		*	EA9500B0200			CABLE BAND 150	3				
28		*	BT0600401EB			TUBE	1				
29		*	BT0800501EB			VINYL TUBE	1				
30		*	40025036			KNEE SWITCH ASM.	1				
31		*	MAT80232T00		Disconinue	KNEE SWITCH SUPPORT P	1				
32		*	SS6151220SP			SCREW 15/64-28 L=11.5	4				
33		*	SS7111410SP	SS7111410TP		SCREW 11/64-40 L=14	2	1.00			
34		*	SS7110710SL			SCREW 11/64-40 L=7.0	4				
35		*	WP0480856SP			WASHER 4.8X8.4X0.8	4				
36		*	40025035			KNEE SWITCH ASM.	1				
37		*	MAT80230T00			KNEE SWITCH SUPPORT B	2				
38		*	MAT80231T00			DRIVING BAR T002	1				

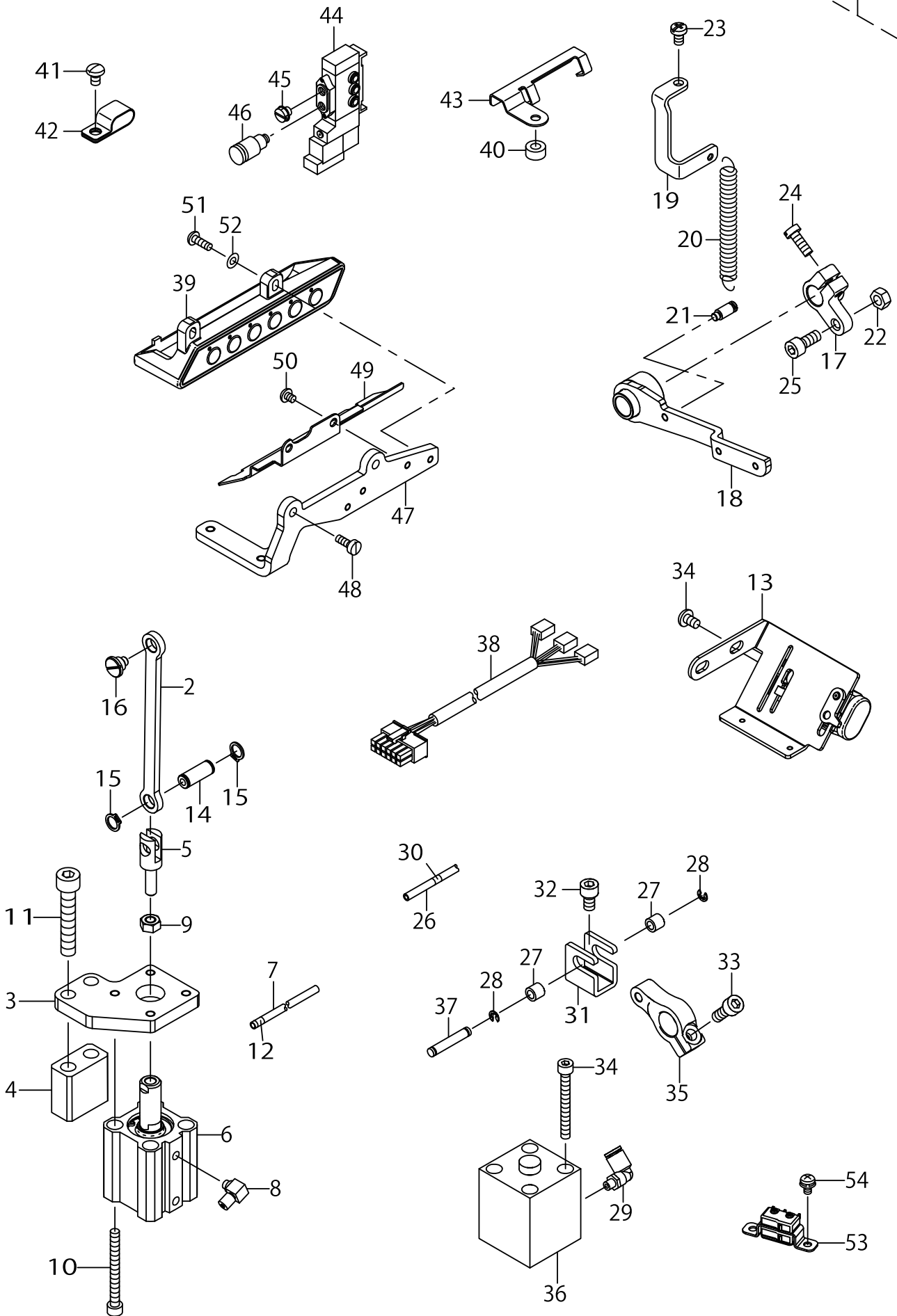
BT,DL KIT COMPONENTS (OPTIONAL PARTS)(FOR PLC-2710(WITH AK),2760(WITH AK),2760L(WITH AK))



BT,DL KIT COMPONENTS (OPTIONAL PARTS)(FOR PLC-2710(WITH AK),2760(WITH AK),2760L(WITH AK))

No.	C- ons	Le- vel	Parts No.	Replacement	Supply Code	Parts name	Qty	R- ep- Q- TY	Status	Spec	Remarks
1			40138898			BT_DL_KIT	1				
2		*	40130413			BT_LINK	1				
3		*	40130024			BT_CYLINDER_PLATE	1				
4		*	40130414			BT_CYLINDER_BLOCK	1				
5		*	40052254			CYLINDER KNUCKLE JOIN	1				
6		*	PA250250900			AIR CYLINDER	1				
7		*	BT0400251EB			URETHANE HOSE BLACK	1.8				
8		*	PJ046052503			HOSE ELBOW	1				
9		*	NM6060001CP			NUT M6	1				
10		*	SM6055002TP			SCREW M5 L=50	4				
11		*	SM6084502TP			SCREW	2				
12		*	18035709			WIRE MARK (8)	2				
13		*	40130285			TB_SWITCH_ASSY	1				
14		*	10714103			CONNECTION LINK PIN A	1				
15		*	RC0740811KP			C-RING	2				
16		*	SD0800406TP			SHOULDER SCREW D=8 H=	1				
17		*	40112127			BACKWARD_FEED_CONNE	1				
18		*	40129991			REVERSE_FEED_LEVER_ASM	1				
19		*	40125864			REVERSE_FEED_LEVER_SPF	1				
20		*	D2629M1YCOF			SPRING	1				
21		*	26229302			SUSPENSION SCREW	1				
22		*	NM6050001SD			NUT M5X0.8	1				
23		*	SM4050855SP			SCREW	3				
24		*	SM6051400SP			SCREW	1				
25		*	SM6051202TP			SCREW M5X0.8 L=12	1				
26		*	BT0400251EB			URETHANE HOSE BLACK	1.8				
27		*	B3031141H00			CONNECTING STUD	2				
28		*	RE0320000K0			E-RING 3.2	2				
29		*	PJ304040504			ELBOW UNION	1				
30		*	18035501			WIRE MARK (6)	2				
31		*	40112191			KNUCKLE_JOINT_B	1				
32		*	SM6061002TP			SCREW M6 L=10	1				
33		*	SM6061602TP			SCREW M6 L=16	1				
34		*	SM6054502TP			SCREW M5X0.8 L=45	2				
35		*	40112192			TERTICAL_CYLINDER_ARM	1				
36		*	PA250250900			AIR CYLINDER	1				
37		*	B1504210000			CONNECTING SHAFT	1				
38		*	40133979			SOLENOID VALVE CABLE	1				
39		*	40130287			6RANGE SWITCH ASM	1				
40		*	SL4041491SC			SCREW 4X14	2				
41		*	SM4050855SP			SCREW	4				
42		*	D2112555B00			CORD HOLDER LARGE	3				
43		*	40134805			CABLE HOLDER	1				
44		*	PV150209100			SOLENOID VALVE	2				
45		*	PJ020500002			PLUG	2				
46		*	PJ301040502			HALF UNION 4XM5	2				
47		*	B3417051000			REAR LIFTING BAR ROLLE	1				
48			40130289			VERTICAL_DETECTOR_SWI	1				FOR PLC-2710,;
49			SL4040691SC			SCREW M4 L=6	2				FOR PLC-2710,;

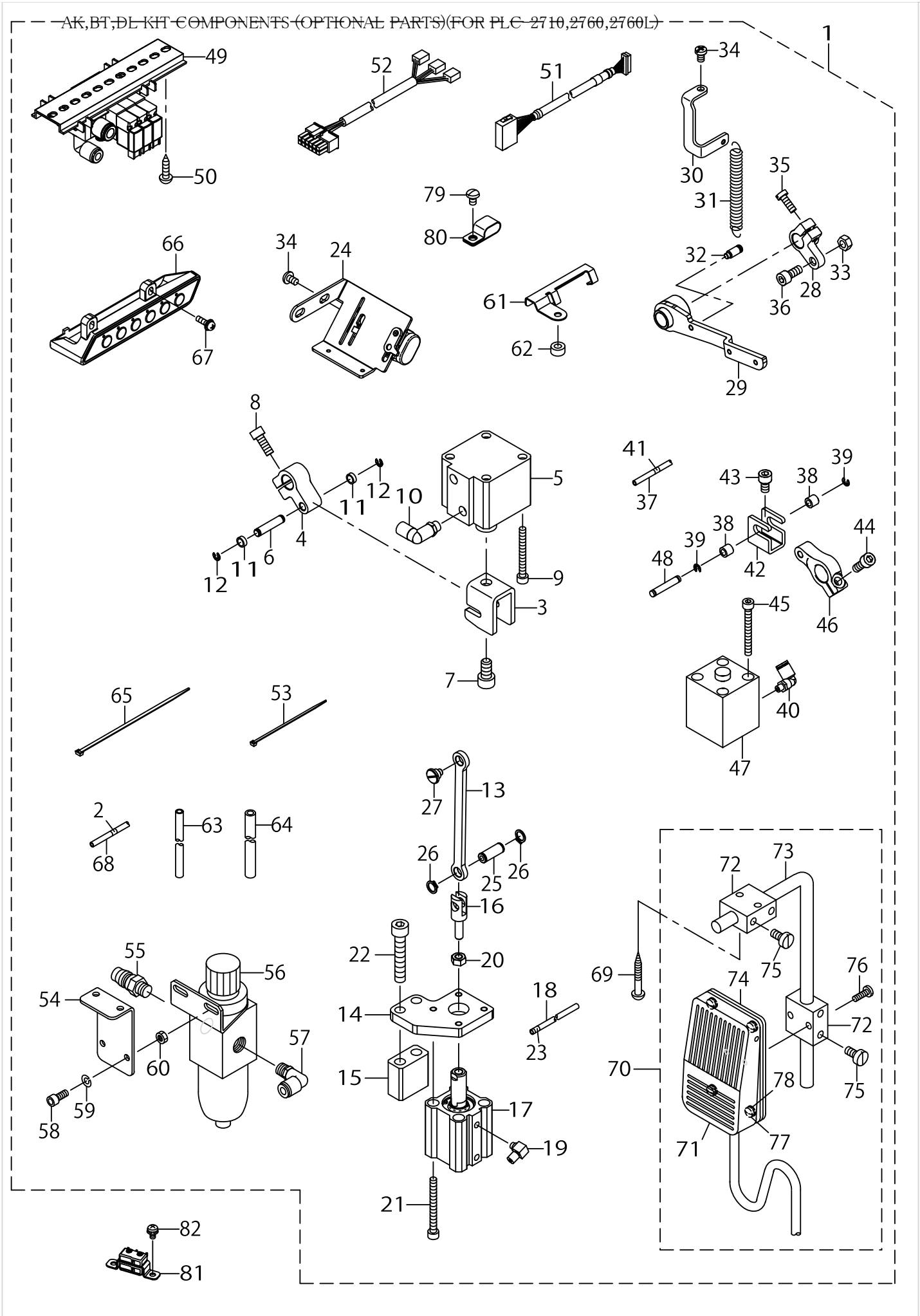
BT,DL KIT COMPONENTS (OPTIONAL PARTS)(FOR PLC-2765(WITH AK))



BT,DL KIT COMPONENTS (OPTIONAL PARTS)(FOR PLC-2765(WITH AK))

No.	C- ons	Le- vel	Parts No.	Replacement	Supply Code	Parts name	Qty	R- ep- Q- TY	Status	Spec	Remarks
1			40139586			BT_DL_KIT	1				
2		*	40130413			BT_LINK	1				
3		*	40130024			BT_CYLINDER_PLATE	1				
4		*	40130414			BT_CYLINDER_BLOCK	1				
5		*	40052254			CYLINDER KNUCKLE JOIN	1				
6		*	PA250250900			AIR CYLINDER	1				
7		*	BT0400251EB			URETHANE HOSE BLACK	1.8				
8		*	PJ046052503			HOSE ELBOW	1				
9		*	NM6060001CP			NUT M6	1				
10		*	SM6055002TP			SCREW M5 L=50	4				
11		*	SM6084502TP			SCREW	2				
12		*	18035709			WIRE MARK (8)	2				
13		*	40130285			TB_SWITCH_ASSY	1				
14		*	10714103			CONNECTION LINK PIN A	1				
15		*	RC0740811KP			C-RING	2				
16		*	SD0800406TP			SHOULDER SCREW D=8 H=	1				
17		*	40112127			BACKWARD_FEED_CONNE	1				
18		*	40129991			REVERSE_FEED_LEVER_ASM	1				
19		*	40125864			REVERSE_FEED_LEVER_SPF	1				
20		*	D2629M1YC0F			SPRING	1				
21		*	26229302			SUSPENSION SCREW	1				
22		*	NM6050001SD			NUT M5X0.8	1				
23		*	SM4050855SP			SCREW	3				
24		*	SM6051400SP			SCREW	1				
25		*	SM6051202TP			SCREW M5X0.8 L=12	1				
26		*	BT0400251EB			URETHANE HOSE BLACK	1.8				
27		*	B3031141H00			CONNECTING STUD	2				
28		*	RE0320000K0			E-RING 3.2	2				
29		*	PJ304040504			ELBOW UNION	1				
30		*	18035501			WIRE MARK (6)	2				
31		*	40112191			KNUCKLE_JOINT_B	1				
32		*	SM6061002TP			SCREW M6 L=10	1				
33		*	SM6061602TP			SCREW M6 L=16	1				
34		*	SM6054502TP			SCREW M5X0.8 L=45	2				
35		*	40112192			TERTICAL_CYLINDER_ARM	1				
36		*	PA250250900			AIR CYLINDER	1				
37		*	B1504210000			CONNECTING SHAFT	1				
38		*	40133979			SOLENOID VALVE CABLE	1				
39		*	40130287			6RANGE SWITCH ASM	1				
40		*	B3417051000			REAR LIFTING BAR ROLLE	1				
41		*	SM4050855SP			SCREW	4				
42		*	D2112555B00			CORD HOLDER LARGE	3				
43		*	40134805			CABLE HOLDER	1				
44		*	PV150209100			SOLENOID VALVE	2				
45		*	PJ020500002			PLUG	2				
46		*	PJ301040502			HALF UNION 4XM5	2				
47		*	40138933			RELEASE LEVER PLATE B	1				
48		*	SM6041150TP			SCREW	2				
49		*	40138934			SWICH COVER	1				
50		*	SM4040501SN			SCREW M4X0.7 L=5	2				
51		*	SM4041201SC			SCREW M4 L=12	2				
52		*	WP0430801SC			WASHER M4	2				
53		*	40130289			VERTICAL_DETECTOR_SWI	1				
54		*	SL4040691SC			SCREW M4 L=6	2				

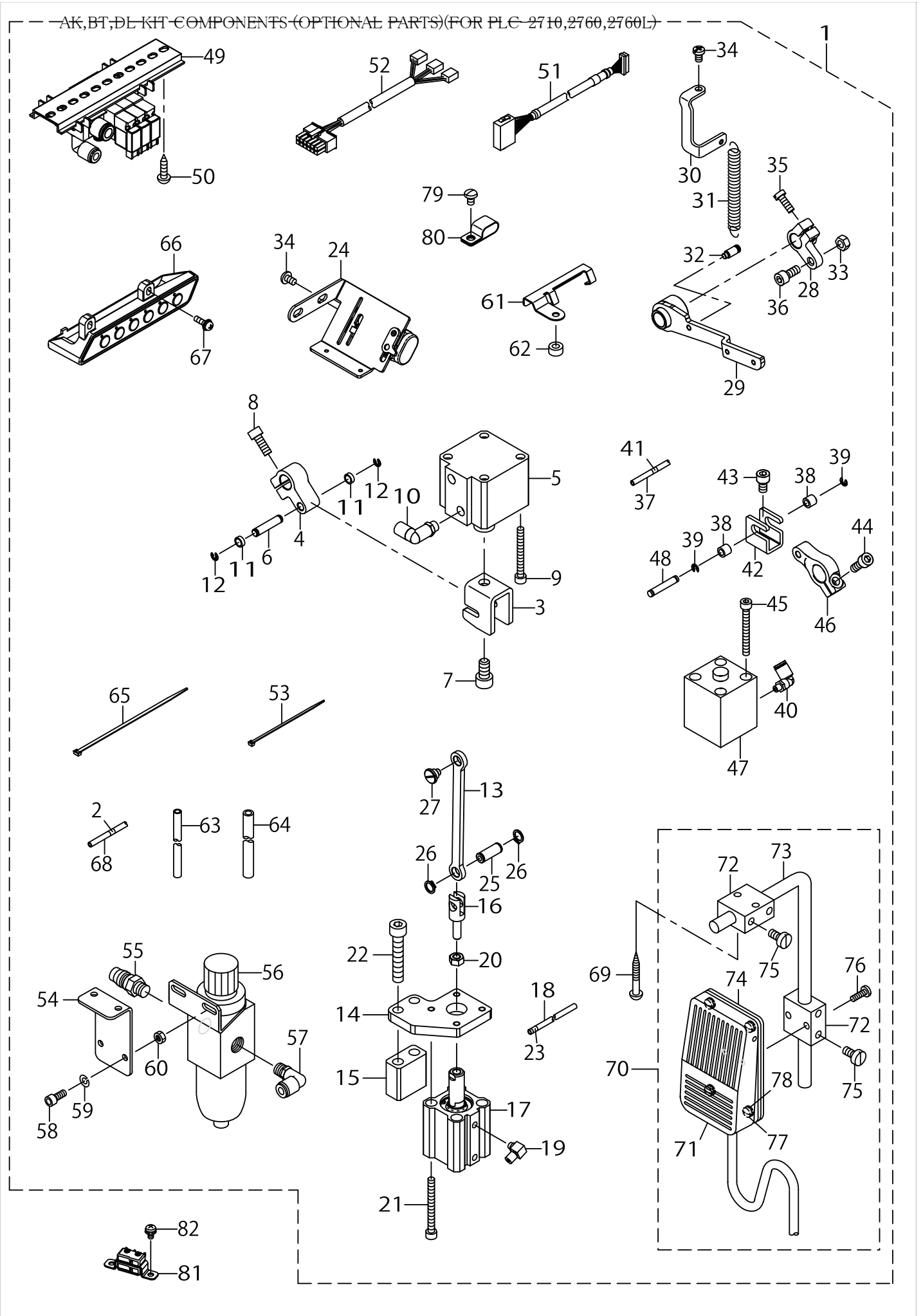
AK,BT,DL KIT COMPONENTS (OPTIONAL PARTS) (FOR PLC-2710,2760,2760L)



AK,BT,DL KIT COMPONENTS (OPTIONAL PARTS)(FOR PLC-2710,2760,2760L)

No.	C- ons	Le- vel	Parts No.	Replacement	Supply Code	Parts name	Qty	R- ep- Q- TY	Status	Spec	Remarks
1			40138573			AK_BT_DL_KIT	1				
2		*	18035907			WIRE MARK (10)	2				
3		*	40112187			KNUCKLE_JOINT_A	1				
4		*	40112188			LIFTING_ARM	1				
5		*	PA400150200			AIR CYLINDER	1				
6		*	22949101			ROLLER FULCRUM SHAFT	1				
7		*	SM6081552TP			SCREW M8 L=15	1				
8		*	SM6061602TP			SCREW M6 L=16	1				
9		*	SM6054502TN			SCREW	4				
10		*	PJ304045102			ELBOW UNION C	1				
11		*	13951009			PRESSER FOOT ROLLER	2				
12		*	RE0400000K0			E-RING 4	2				
13		*	40130413			BT_LINK	1				
14		*	40130024			BT_CYLINDER_PLATE	1				
15		*	40130414			BT_CYLINDER_BLOCK	1				
16		*	40052254			CYLINDER KNUCKLE JOIN	1				
17		*	PA250250900			AIR CYLINDER	1				
18		*	BT0400251EB			URETHANE HOSE BLACK	1.8				
19		*	PJ046052503			HOSE ELBOW	1				
20		*	NM6060001CP			NUT M6	1				
21		*	SM6055002TP			SCREW M5 L=50	4				
22		*	SM6084502TP			SCREW	2				
23		*	18035709			WIRE MARK (8)	2				
24		*	40130285			TB_SWITCH_ASSY	1				
25		*	10714103			CONNECTION LINK PIN A	1				
26		*	RC0740811KP			C-RING	2				
27		*	SD0800406TP			SHOULDER SCREW D=8 H=	1				
28		*	40112127			BACKWARD_FEED_CONNE	1				
29		*	40129991			REVERSE_FEED_LEVER_ASM	1				
30		*	40125864			REVERSE_FEED_LEVER_SPF	1				
31		*	D2629M1YCOF			SPRING	1				
32		*	26229302			SUSPENSION SCREW	1				
33		*	NM6050001SD			NUT M5X0.8	1				
34		*	SM4050855SP			SCREW	3				
35		*	SM6051400SP			SCREW	1				
36		*	SM6051202TP			SCREW M5X0.8 L=12	1				
37		*	BT0400251EB			URETHANE HOSE BLACK	1.8				
38		*	B3031141H00			CONNECTING STUD	2				
39		*	RE0320000K0			E-RING 3.2	2				
40		*	PJ304040504			ELBOW UNION	1				
41		*	18035501			WIRE MARK (6)	2				
42		*	40112191			KNUCKLE_JOINT_B	1				
43		*	SM6061002TP			SCREW M6 L=10	1				
44		*	SM6061602TP			SCREW M6 L=16	1				
45		*	SM6054502TP			SCREW M5X0.8 L=45	2				
46		*	40112192			TERTICAL_CYLINDER_ARM	1				
47		*	PA250250900			AIR CYLINDER	1				
48		*	B1504210000			CONNECTING SHAFT	1				
49		*	40133978			SOLENOID VALVE ASM.	1				
50		*	SK3482001SE			WOOD SCREW D=4.8 L=20	4				
51		*	40133985			AIR VALVE RELAY CABLE	1				
52		*	40133979			SOLENOID VALVE CABLE	1				
53		*	EA9500B0100			CABLE BAND	2				
54		*	13860408			REGULATOR BRACKET	1				
55		*	PJ025100003			PLUG	1				
56		*	PF055107000			FILTER REGULATOR	1				
57		*	PJ304065101			ELBOW UNION 6XPT1/8	1				
58		*	SM6051202TP			SCREW M5X0.8 L=12	2				
59		*	WS0510002KN			SPRING WASHER M5	2				
60		*	NM6050001SP			NUT M5	2				

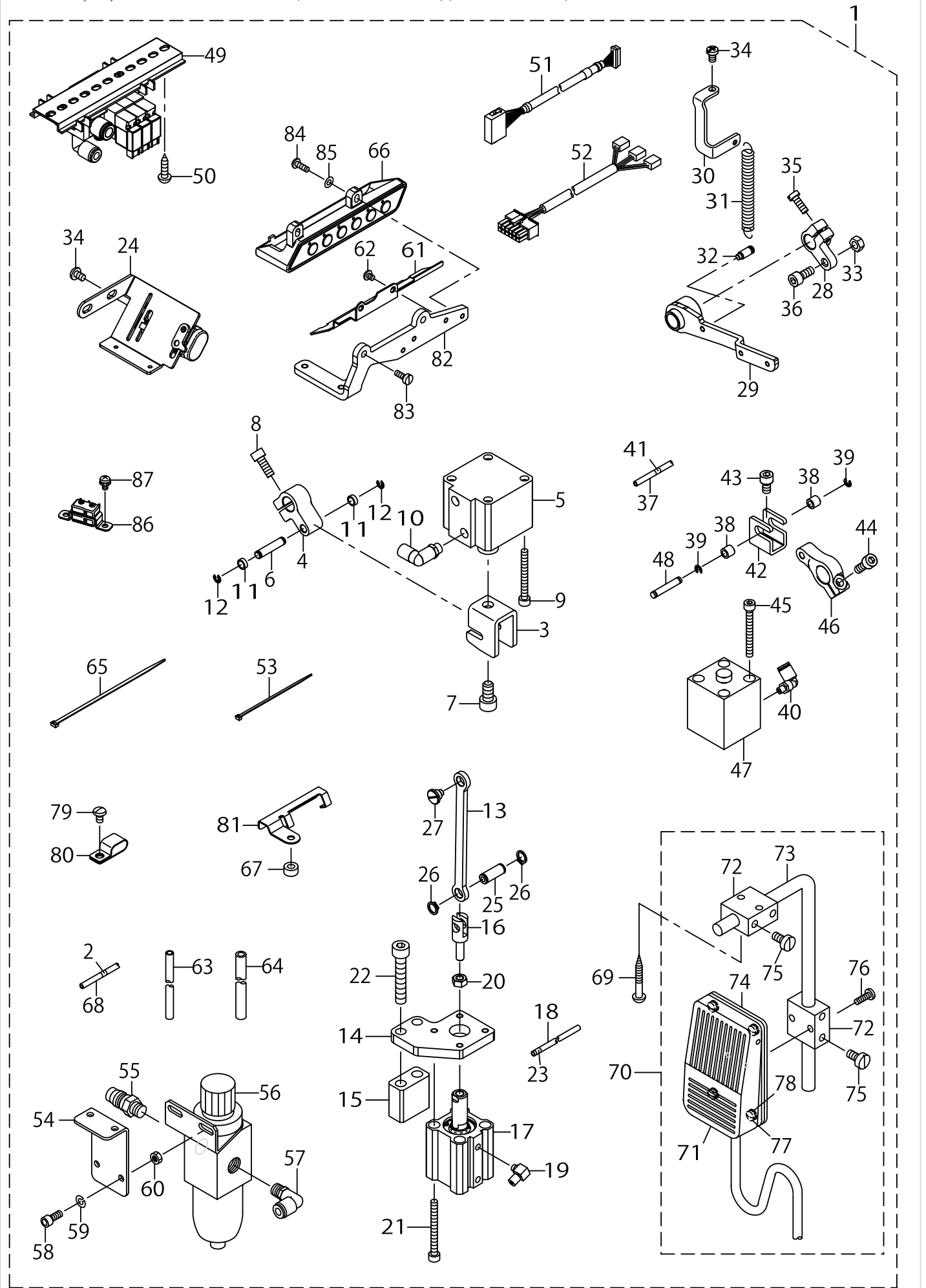
AK,BT,DL KIT COMPONENTS (OPTIONAL PARTS) (FOR PLC-2710,2760,2760L)



AK,BT,DL KIT COMPONENTS (OPTIONAL PARTS)(FOR PLC-2710,2760,2760L)

No.	C- ons	Le- vel	Parts No.	Replacement	Supply Code	Parts name	Qty	R- ep. Q- TY	Status	Spec	Remarks
61		*	40134805			CABLE HOLDER	1				
62		*	B3417051000			REAR LIFTING BAR ROLLE	1				
63		*	BT0600401EB			TUBE	1.1				
64		*	BT0800501EB			VINYL TUBE	1.1				
65		*	EA9500B0200			CABLE BAND 150	3				
66		*	40130287			6RANGE SWITCH ASM.	1				
67		*	SL4041491SC			SCREW 4X14	2				
68		*	BT0400251EB			URETHANE HOSE BLACK	1.8				
69		*	SK3514000SC	SK3514001SE		WOOD SCREW D=5.1 L=40	2	1.00			
70		*	40025036			KNEE SWITCH ASM.	1				
71		*	40025035			KNEE SWITCH ASM.	1				
72		*	MAT80230T00			KNEE SWITCH SUPPORT B	2				
73		*	MAT80231T00			DRIVING BAR T002	1				
74		*	MAT80232T00		Disconinue	KNEE SWITCH SUPPORT P	1				
75		*	SS6151220SP			SCREW 15/64-28 L=11.5	4				
76		*	SS7111410SP	SS7111410TP		SCREW 11/64-40 L=14	2	1.00			
77		*	SS7110710SL			SCREW 11/64-40 L=7.0	4				
78		*	WP0480856SP			WASHER 4.8X8.4X0.8	4				
79		*	SM4050855SP			SCREW	4				
80		*	D2112555B00			CORD HOLDER LARGE	3				
81			40130289			VERTICAL_DETECTOR_SWI	1				FOR PLC-2710,;
82			SL4040691SC			SCREW M4 L=6	2				FOR PLC-2710,;

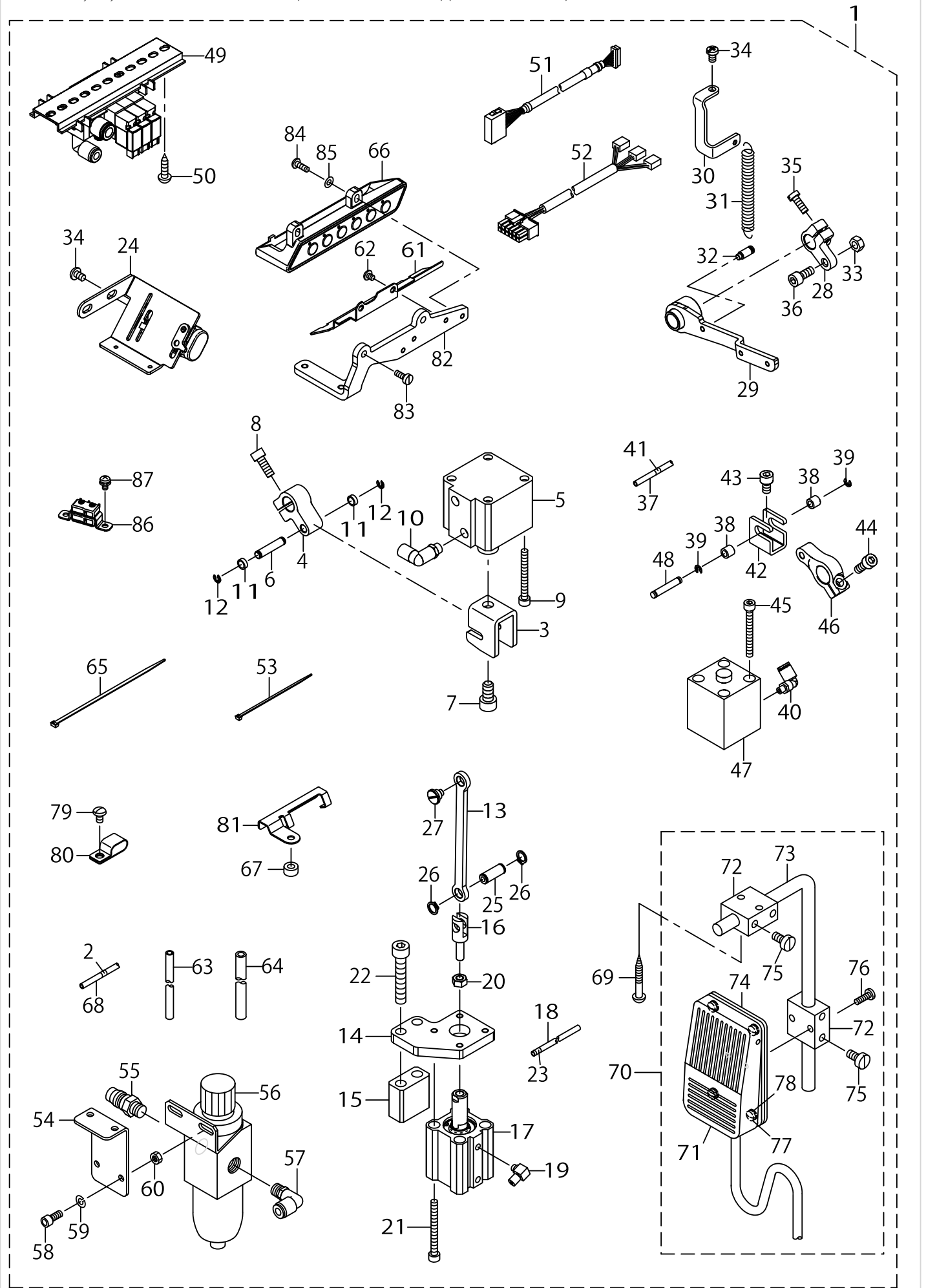
AK,BT,DL KIT COMPONENTS (OPTIONAL PARTS)(FOR PLC-2765)



AK,BT,DL KIT COMPONENTS (OPTIONAL PARTS)(FOR PLC-2765)

No.	C- ons	Le- vel	Parts No.	Replacement	Supply Code	Parts name	Qty	R- ep. Q- TY	Status	Spec	Remarks
1			40139587			AK_BT_DL_KIT	1				
2		*	18035907			WIRE MARK (10)	2				
3		*	40112187			KNUCKLE_JOINT_A	1				
4		*	40112188			LIFTING_ARM	1				
5		*	PA400150200			AIR CYLINDER	1				
6		*	22949101			ROLLER FULCRUM SHAFT	1				
7		*	SM6081552TP			SCREW M8 L=15	1				
8		*	SM6061602TP			SCREW M6 L=16	1				
9		*	SM6054502TN			SCREW	4				
10		*	PJ304045102			ELBOW UNION C	1				
11		*	13951009			PRESSER FOOT ROLLER	2				
12		*	RE0400000K0			E-RING 4	2				
13		*	40130413			BT_LINK	1				
14		*	40130024			BT_CYLINDER_PLATE	1				
15		*	40130414			BT_CYLINDER_BLOCK	1				
16		*	40052254			CYLINDER KNUCKLE JOIN	1				
17		*	PA250250900			AIR CYLINDER	1				
18		*	BT0400251EB			URETHANE HOSE BLACK	1.3				
19		*	PJ046052503			HOSE ELBOW	1				
20		*	NM6060001CP			NUT M6	1				
21		*	SM6055002TP			SCREW M5 L=50	4				
22		*	SM6084502TP			SCREW	2				
23		*	18035709			WIRE MARK (8)	2				
24		*	40130285			TB_SWITCH_ASSY	1				
25		*	10714103			CONNECTION LINK PIN A	1				
26		*	RC0740811KP			C-RING	2				
27		*	SD0800406TP			SHOULDER SCREW D=8 H=	1				
28		*	40112127			BACKWARD_FEED_CONNE	1				
29		*	40129991			REVERSE_FEED_LEVER_ASM	1				
30		*	40125864			REVERSE_FEED_LEVER_SPF	1				
31		*	D2629M1YCOF			SPRING	1				
32		*	26229302			SUSPENSION SCREW	1				
33		*	NM6050001SD			NUT M5X0.8	1				
34		*	SM4050855SP			SCREW	3				
35		*	SM6051400SP			SCREW	1				
36		*	SM6051202TP			SCREW M5X0.8 L=12	1				
37		*	BT0400251EB			URETHANE HOSE BLACK	1.8				
38		*	B3031141H00			CONNECTING STUD	2				
39		*	RE0320000K0			E-RING 3.2	2				
40		*	PJ304040504			ELBOW UNION	1				
41		*	18035501			WIRE MARK (6)	2				
42		*	40112191			KNUCKLE_JOINT_B	1				
43		*	SM6061002TP			SCREW M6 L=10	1				
44		*	SM6061602TP			SCREW M6 L=16	1				
45		*	SM6054502TP			SCREW M5X0.8 L=45	2				
46		*	40112192			TERTICAL_CYLINDER_ARM	1				
47		*	PA250250900			AIR CYLINDER	1				
48		*	B1504210000			CONNECTING SHAFT	1				
49		*	40133978			SOLENOID VALVE ASM.	1				
50		*	SK3482001SE			WOOD SCREW D=4.8 L=20	4				
51		*	40133985			AIR VALVE RELAY CABLE	1				
52		*	40133979			SOLENOID VALVE CABLE	1				
53		*	EA9500B0100			CABLE BAND	2				
54		*	13860408			REGULATOR BRACKET	1				
55		*	PJ025100003			PLUG	1				
56		*	PF055107000			FILTER REGULATOR	1				
57		*	PJ304065101			ELBOW UNION 6XPT1/8	1				
58		*	SM6051202TP			SCREW M5X0.8 L=12	2				
59		*	WS0510002KN			SPRING WASHER M5	2				
60		*	NM6050001SP			NUT M5	2				

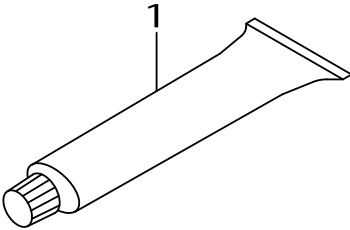
AK,BT,DL KIT COMPONENTS (OPTIONAL PARTS)(FOR PLC-2765)



AK,BT,DL KIT COMPONENTS (OPTIONAL PARTS)(FOR PLC-2765)

No.	C- ons	Le- vel	Parts No.	Replacement	Supply Code	Parts name	Qty	R- ep. Q- TY	Status	Spec	Remarks
61		*	40138934			SWICH COVER	1				
62		*	SM4040501SN			SCREW M4X0.7 L=5	2				
63		*	BT0600401EB			TUBE	1.1				
64		*	BT0800501EB			VINYL TUBE	1.1				
65		*	EA9500B0200			CABLE BAND 150	3				
66		*	40130287			6RANGE SWITCH ASM.	1				
67		*	B3417051000			REAR LIFTING BAR ROLLE	1				
68		*	BT0400251EB			URETHANE HOSE BLACK	1.8				
69		*	SK3514000SC	SK3514001SE		WOOD SCREW D=5.1 L=40	2	1.00			
70		*	40025036			KNEE SWITCH ASM.	1				
71		*	40025035			KNEE SWITCH ASM.	1				
72		*	MAT80230T00			KNEE SWITCH SUPPORT B	2				
73		*	MAT80231T00			DRIVING BAR T002	1				
74		*	MAT80232T00		Disconinue	KNEE SWITCH SUPPORT P	1				
75		*	SS6151220SP			SCREW 15/64-28 L=11.5	4				
76		*	SS7111410SP	SS7111410TP		SCREW 11/64-40 L=14	2	1.00			
77		*	SS7110710SL			SCREW 11/64-40 L=7.0	4				
78		*	WP0480856SP			WASHER 4.8X8.4X0.8	4				
79		*	SM4050855SP			SCREW	4				
80		*	D2112555B00			CORD HOLDER LARGE	3				
81		*	40134805			CABLE HOLDER	1				
82		*	40138933			RELEASE LEVER PLATE B	1				
83		*	SM6041150TP			SCREW	2				
84		*	SM4041201SC			SCREW M4 L=12	2				
85		*	WP0430801SC			WASHER M4	2				
86		*	40130289			VERTICAL_DETECTOR_SWI	1				
87		*	SL4040691SC			SCREW M4 L=6	2				

OPTIONAL PARTS



As to the place changed, refer to the corresponding Rev.No.
 When previous parts (Obsoloted part) and new parts (Added parts) are not interchangeable with each other:
 In this case, even obsoloted parts (D.) can be ordered with the obsoloted part number, so select the parts with changed dates and place your orders.

変更箇所は、該当Rev.No.版をご参照ください。
 部品の互換性がない変更の場合は、削除された品番でも、ご注文できます。
 40130435

No.1629-05 Rev.No.

*A:Added parts追加部品/D:Obsoloted parts削除部品/E:Erratum訂正

* Rev. No.	Page 頁	Ref. No.	Parts No. 品番	* Rev. No.	Page 頁	Ref. No.	Parts No. 品番
D 04	10	50	SM-8050512-TP	A 05	10	50	SM-80506A2-TP
D 04	10	51	SM-8050512-TP	A 05	10	51	SM-80506A2-TP
				A 05	12	43	401-41066
D 04	16	59	SM-6040650-TP	A 05	16	59	SM-6040650-TP
				A 05	16	78	401-54199
				A 05	16	79	WP-0430800-SD
				A 05	16	80	400-23627
D 04	22	10	401-29992				
D 04	22	14	SM-8060612-TP				
D 04	32	6	119-57008	A 05	32	6	138-17408
D 04	34	6	119-57008	A 05	34	6	138-17408
D 04	36	6	119-57008	A 05	36	6	138-17408
				A 05	38	6	PV-1502091-00
				A 05	38	7	PJ-0205000-02
D 04	40	15	401-25947	A 05	40	6	401-51791
				A 05	40	35	401-52022
				A 05	42	117	131-42609
				A 05	54	-	No.34 ~ No.44
				A 05	56	15	400-38808

NUMERICAL INDEX OF PARTS

PART NO	PAGE	REF NO.	PART NO	PAGE	REF NO.	PART NO	PAGE	REF NO.
10320109	48	25	13461504	42	36	22528806	48	18
10539906	72	7	13718507	60	16	22528806	50	8
10546901	4	37	13765607	62	13	22528806	52	8
10697506	48	14	13817408	48	6	22529408	48	21
10697506	50	2	13817408	50	6	22529408	50	9
10697506	52	2	13817408	52	6	22529408	52	9
10697605	50	3	13860408	72	9	22529515	50	10
10697605	52	3	13860408	84	18	22529515	52	10
10710804	18	3	13860408	90	54	22606206	6	22
10711653	74	5	13860408	94	54	22606305	6	23
10712552	74	6	13951009	22	22	22606404	6	28
10714103	26	42	13951009	84	11	22607600	6	24
10714103	36	22	13951009	90	11	22607709	6	25
10714103	86	14	13951009	94	11	22607709	8	16
10714103	88	14	18035006	32	85	22607808	6	26
10714103	90	25	18035105	32	86	22607907	6	27
10714103	94	25	18035303	46	19	22615702	54	63
10714608	26	46	18035501	34	6	22617609	50	11
10715704	30	7	18035501	86	30	22617609	52	11
10715704	32	62	18035501	88	30	22617708	50	12
10718906	26	2	18035501	90	41	22617708	52	12
10721504	4	23	18035501	94	41	22617807	48	16
10773000	62	56	18035709	36	12	22617807	50	13
10777407	72	43	18035709	86	12	22617807	52	13
11002904	8	17	18035709	88	12	22618201	48	7
11072402	50	4	18035709	90	23	22618201	50	14
11072402	52	4	18035709	94	23	22618201	52	14
11093606	50	5	18035907	22	13	22618300	50	15
11093606	52	5	18035907	84	2	22618300	52	15
12210803	64	112	18035907	90	2	22618706	48	24
12316907	64	116	18035907	94	2	22618706	50	16
12938304	48	17	18219105	14	33	22618706	52	16
12938304	50	7	21334800	14	2	22618805	50	17
12938304	52	7	21334800	72	1	22618805	52	17
13142609	62	59	21343108	70	27	22618904	50	18
13142609	64	117	21343157	70	21	22618904	52	18
13167556	68	1	21387600	10	10	22622401	80	5
13167903	68	8	21387709	10	11	22681407	8	33
13168000	68	9	21387808	10	12	22681506	8	34
13168109	68	10	21387907	10	13	22681712	8	21
13168208	68	11	21451406	6	8	22681803	8	24
13319405	42	34	21470505	42	52	22681951	8	39
13409107	22	10	22528509	48	35	22682058	8	40
13416508	42	11	22528509	50	45	22682157	8	41
13424502	30	31	22528509	52	47	22682256	8	42

NUMERICAL INDEX OF PARTS

PART NO	PAGE	REF NO.	PART NO	PAGE	REF NO.	PART NO	PAGE	REF NO.
22682355	8	43	22933204	72	5	23630650	62	38
22682504	8	37	22934202	70	24	23631708	36	16
22682702	8	20	22934301	70	25	23631807	36	17
22686000	8	29	22934400	70	23	23631906	36	18
22687503	52	57	22934509	70	22	23632102	36	14
22687701	52	53	22934707	70	20	23638406	40	2
22863203	70	15	22935308	62	11	23639503	24	23
22863252	70	14	22945703	48	19	26018705	28	84
22901805	2	8	22945802	48	22	26228304	26	28
22902506	2	18	22949101	22	17	26229302	30	53
22904106	26	57	22949101	84	6	26229302	86	21
22904155	18	52	22949101	90	6	26229302	88	21
22904155	26	56	22949101	94	6	26229302	90	32
22911804	30	6	22954309	48	2	26229302	94	32
22911804	32	61	22954309	50	48	26231902	44	91
22912257	48	1	22954309	54	87	26260109	60	2
22912257	50	47	22956205	42	3	26260307	60	3
22912257	54	86	22957104	42	5	26260406	60	4
22913008	20	75	22957203	42	7	26260505	60	6
22913008	26	5	22958300	72	41	26260802	60	8
22921308	60	32	22963409	48	20	26261008	60	9
22921407	48	34	23007503	14	9	26261503	60	11
22921407	50	41	23007602	14	11	32055501	56	6
22921407	52	42	23021355	76	26	40006323	98	1
22921407	60	31	23023856	76	24	40006716	22	2
22921506	60	28	23036304	26	49	40010709	6	1
22921704	60	29	23540305	62	48	40010709	8	1
22926000	72	23	23542418	56	1	40011902	4	31
22930309	68	12	23600505	2	31	40013595	62	43
22930408	68	6	23605207	4	12	40022407	62	50
22930507	68	3	23613409	30	23	40023568	6	2
22930556	68	2	23628357	62	35	40023568	8	2
22930705	68	4	23629306	64	103	40023627	20	80
22930804	68	16	23629306	72	13	40025035	70	2
22930903	68	15	23629405	64	90	40025035	84	36
22931000	68	14	23629504	62	53	40025035	92	71
22931109	68	13	23630007	30	13	40025035	96	71
22931307	68	7	23630007	62	9	40025036	70	1
22931406	68	5	23630007	64	109	40025036	84	30
22932107	24	11	23630106	62	10	40025036	92	70
22932156	24	10	23630106	64	111	40025036	96	70
22932404	70	19	23630403	62	40	40026457	72	32
22932453	70	18	23630502	62	41	40026818	4	46
22932800	72	2	23630601	62	39	40026920	80	1
22933105	72	4	23630601	64	93	40027770	72	49

NUMERICAL INDEX OF PARTS

PART NO	PAGE	REF NO.	PART NO	PAGE	REF NO.	PART NO	PAGE	REF NO.
40028556	52	59	40079901	16	16	40112106	4	5
40028641	54	62	40079902	16	37	40112118	18	19
40028668	8	38	40079903	16	38	40112118	26	18
40032147	8	7	40079904	16	39	40112127	24	9
40032327	52	58	40079905	16	40	40112127	30	49
40032804	62	29	40079909	16	42	40112127	86	17
40033825	30	24	40079912	16	50	40112127	88	17
40034674	2	13	40082078	24	17	40112127	90	28
40034675	2	12	40084142	2	24	40112127	94	28
40036167	62	36	40085784	66	2	40112137	46	2
40038494	18	35	40085785	66	3	40112138	46	3
40038494	26	55	40085786	66	4	40112140	46	5
40038772	76	22	40085787	66	5	40112149	46	6
40038774	76	21	40085788	66	6	40112151	46	8
40038776	76	20	40085789	66	7	40112152	6	11
40038778	76	19	40085790	66	8	40112152	8	8
40038802	78	4	40085791	66	9	40112176	18	13
40038806	78	12	40085792	66	10	40112184	22	3
40038808	78	15	40085793	66	11	40112187	22	14
40038810	78	1	40085794	66	12	40112187	84	3
40038848	76	30	40085795	66	13	40112187	90	3
40038850	76	33	40085796	66	16	40112187	94	3
40038852	76	32	40086018	30	32	40112188	22	15
40038854	76	27	40086679	56	15	40112188	84	4
40039271	76	31	40088958	60	27	40112188	90	4
40039629	8	23	40088959	60	30	40112188	94	4
40042716	2	14	40090058	18	17	40112191	34	7
40052253	10	30	40095222	8	35	40112191	86	31
40052254	36	4	40096325	66	14	40112191	88	31
40052254	86	5	40096326	66	17	40112191	90	42
40052254	88	5	40096327	66	19	40112191	94	42
40052254	90	16	40101719	64	92	40112192	34	11
40052254	94	16	40101721	62	47	40112192	86	35
40062041	76	25	40102261	2	5	40112192	88	35
40062043	76	23	40105510	38	2	40112192	90	46
40067204	76	44	40106579	66	26	40112192	94	46
40075542	16	41	40111350	66	25	40112197	18	47
40075547	16	46	40111351	66	1	40112199	18	48
40075548	16	45	40112087	4	1	40112204	48	9
40077931	32	74	40112088	4	19	40112204	50	19
40079298	72	31	40112091	4	27	40112204	52	19
40079896	16	31	40112092	4	28	40112213	36	15
40079898	16	10	40112093	4	29	40112214	82	2
40079899	16	12	40112094	4	30	40112215	38	3
40079900	16	14	40112098	26	11	40112216	38	5

NUMERICAL INDEX OF PARTS

PART NO	PAGE	REF NO.	PART NO	PAGE	REF NO.	PART NO	PAGE	REF NO.
40112218	48	10	40125844	60	25	40126166	18	12
40112218	50	20	40125850	18	50	40126167	18	1
40112218	52	20	40125851	60	7	40126221	2	33
40112219	48	11	40125852	18	8	40126222	72	28
40112219	50	21	40125854	18	9	40126222	80	8
40112219	52	21	40125856	26	22	40126223	18	34
40112228	46	9	40125857	26	34	40126244	4	8
40112234	42	21	40125858	32	64	40126259	40	4
40112235	42	23	40125861	18	2	40126263	56	3
40112240	10	7	40125862	10	14	40126264	18	37
40112242	10	59	40125864	30	51	40126265	48	3
40112253	10	27	40125864	86	19	40126265	50	50
40112270	6	17	40125864	88	19	40126265	52	43
40112272	6	18	40125864	90	30	40126267	72	12
40112273	6	13	40125864	94	30	40126269	18	36
40112277	2	41	40125867	18	22	40126270	24	1
40112299	4	20	40125868	18	44	40126271	24	2
40112312	4	3	40125870	22	5	40126273	24	7
40112320	62	1	40125872	46	4	40126274	24	8
40113224	10	19	40125873	48	4	40126311	60	14
40117425	8	44	40125873	50	42	40126321	4	9
40123247	10	4	40125873	52	44	40126338	18	33
40123248	42	32	40125876	20	71	40126339	26	37
40123252	26	38	40125926	18	46	40126354	60	10
40123262	18	28	40125927	60	13	40126355	60	1
40123319	18	27	40125928	60	24	40126356	24	3
40123320	18	29	40125930	4	32	40126357	26	12
40123321	18	30	40125935	28	87	40126359	28	88
40123332	26	36	40125937	18	11	40126363	30	1
40123345	20	72	40125939	4	35	40126364	22	6
40123345	28	89	40125943	18	18	40126366	10	15
40123414	18	39	40125948	56	2	40126367	22	1
40123415	18	41	40125949	56	4	40126372	10	57
40123416	18	38	40125950	4	6	40126374	18	45
40123547	26	16	40126116	30	15	40126375	18	21
40123555	18	40	40126127	58	11	40126375	26	21
40123626	26	14	40126150	22	4	40126386	26	6
40123627	26	33	40126151	26	15	40126390	18	32
40123634	18	20	40126152	72	14	40126399	16	2
40123634	26	19	40126155	70	10	40126400	18	49
40123639	26	35	40126157	20	69	40126401	26	39
40123664	18	5	40126158	20	70	40126404	48	12
40123665	18	15	40126159	20	68	40126405	72	11
40123667	26	4	40126160	18	31	40126454	10	28
40125843	26	13	40126163	26	9	40126455	12	62

NUMERICAL INDEX OF PARTS

PART NO	PAGE	REF NO.	PART NO	PAGE	REF NO.	PART NO	PAGE	REF NO.
40126549	60	23	40130013	26	1	40130063	76	16
40126550	60	12	40130014	26	51	40130064	76	7
40126557	50	22	40130015	28	95	40130065	76	11
40126562	56	14	40130016	26	44	40130066	76	9
40126563	56	13	40130017	26	45	40130067	74	3
40126582	62	54	40130018	26	48	40130068	74	2
40126594	60	5	40130019	24	6	40130277	4	4
40126642	32	66	40130020	4	10	40130283	58	5
40126643	32	68	40130021	4	38	40130284	58	4
40126724	48	13	40130022	4	39	40130285	36	13
40126724	50	23	40130024	36	2	40130285	86	13
40126724	52	23	40130024	86	3	40130285	88	13
40127041	6	9	40130024	88	3	40130285	90	24
40127041	8	10	40130024	90	14	40130285	94	24
40127049	4	33	40130024	94	14	40130286	36	20
40129975	2	27	40130027	14	17	40130287	38	1
40129977	2	1	40130028	14	23	40130287	86	39
40129979	74	7	40130030	14	29	40130287	88	39
40129982	2	47	40130031	14	19	40130287	92	66
40129983	2	37	40130034	16	1	40130287	96	66
40129984	30	3	40130035	10	32	40130288	38	4
40129985	32	65	40130036	10	43	40130289	40	1
40129986	30	2	40130037	62	27	40130289	86	48
40129988	30	4	40130038	62	15	40130289	88	53
40129991	30	50	40130039	62	17	40130289	92	81
40129991	86	18	40130040	14	15	40130289	96	86
40129991	88	18	40130041	10	1	40130290	40	5
40129991	90	29	40130042	10	24	40130291	56	11
40129991	94	29	40130043	10	25	40130409	26	25
40129995	2	25	40130044	10	26	40130412	30	39
40129999	32	67	40130048	14	13	40130413	36	1
40130001	30	17	40130049	42	15	40130413	86	2
40130003	30	18	40130050	42	26	40130413	88	2
40130003	32	70	40130051	42	13	40130413	90	13
40130004	30	16	40130052	42	38	40130413	94	13
40130004	32	69	40130053	42	40	40130414	36	3
40130005	30	19	40130054	42	42	40130414	86	4
40130005	32	71	40130055	42	30	40130414	88	4
40130006	30	22	40130056	42	28	40130414	90	15
40130006	32	88	40130057	42	9	40130414	94	15
40130007	26	23	40130058	42	44	40130593	42	58
40130009	26	32	40130059	42	24	40130620	44	62
40130010	26	8	40130060	44	94	40130702	4	2
40130011	26	7	40130061	74	4	40130704	2	43
40130012	26	41	40130062	76	18	40130705	2	44

NUMERICAL INDEX OF PARTS

PART NO	PAGE	REF NO.	PART NO	PAGE	REF NO.	PART NO	PAGE	REF NO.
40130706	2	45	40133503	42	19	40134805	88	43
40130819	32	87	40133595	64	81	40134805	92	61
40130820	30	43	40133608	18	6	40134805	96	81
40130820	32	89	40133609	18	4	40134834	2	30
40130907	76	17	40133612	46	1	40134959	30	35
40130908	76	6	40133655	46	7	40135014	18	23
40130909	70	28	40133718	14	39	40135153	70	13
40130925	76	12	40133730	72	34	40135506	80	3
40130926	76	15	40133762	64	79	40135507	80	2
40130927	76	5	40133826	30	38	40136296	6	14
40130928	76	8	40133882	12	80	40137517	64	98
40131014	72	16	40133883	12	81	40137553	26	17
40131015	72	15	40133922	64	87	40137554	28	90
40131016	76	10	40133978	72	36	40137612	32	93
40131017	76	1	40133978	90	49	40137613	30	10
40131018	76	4	40133978	94	49	40137613	32	94
40131586	14	35	40133979	72	48	40137779	28	92
40131642	4	47	40133979	86	38	40137780	28	93
40131643	4	48	40133979	88	38	40137780	30	36
40131644	8	11	40133979	90	52	40137802	44	97
40131645	4	50	40133979	94	52	40137803	44	99
40131646	4	52	40133982	72	35	40137885	64	97
40131649	8	12	40133982	84	13	40137886	14	5
40131651	8	13	40133983	72	40	40137921	44	66
40131653	8	18	40133983	84	16	40137923	14	6
40131654	8	26	40133985	72	47	40137930	14	42
40131655	8	32	40133985	84	15	40137999	44	101
40131656	8	30	40133985	90	51	40138044	42	1
40131657	52	49	40133985	94	51	40138044	44	95
40131658	52	50	40134017	78	6	40138418	12	82
40131659	52	54	40134018	78	13	40138419	12	83
40131660	54	67	40134019	78	14	40138420	12	84
40131662	54	70	40134020	78	9	40138421	12	85
40131663	54	72	40134097	74	9	40138422	12	86
40131664	54	75	40134098	74	8	40138423	12	87
40131665	54	74	40134105	30	12	40138461	16	3
40131666	54	76	40134505	48	5	40138477	54	66
40131668	52	22	40134528	30	5	40138482	4	51
40131887	30	46	40134531	14	7	40138484	52	40
40131952	26	24	40134532	4	36	40138572	84	1
40131954	26	40	40134534	28	98	40138573	90	1
40132118	30	34	40134545	4	34	40138640	8	9
40132118	32	78	40134795	16	28	40138898	86	1
40132435	50	1	40134805	2	29	40138933	54	81
40133301	72	3	40134805	86	43	40138933	88	47

NUMERICAL INDEX OF PARTS

PART NO	PAGE	REF NO.	PART NO	PAGE	REF NO.	PART NO	PAGE	REF NO.
40138933	96	82	B122177100D	12	70	B3129053000	48	33
40138934	54	83	B122177100E	12	71	B3129053000	52	41
40138934	88	49	B122177100F	12	72	B31375270A0	48	15
40138934	96	61	B122177100G	12	73	B31375270A0	50	26
40139001	70	12	B122177100H	12	74	B31375270A0	52	26
40139042	10	55	B125578100A	26	54	B3138527000	50	27
40139455	30	14	B125578100C	12	69	B3138527000	52	27
40139455	44	93	B1308055000	10	16	B3139527000	50	28
40139586	88	1	B1310055000	10	17	B3139527000	52	28
40139587	94	1	B1314055000	10	18	B3141527000	50	29
40141066	14	43	B1401246000	6	7	B3141527000	52	29
40141153	52	1	B1418141H00	6	6	B3142527000	50	30
40144890	76	34	B1418141H00	74	1	B3142527000	52	30
40144893	76	35	B1438512B00	6	21	B3143527000	50	31
40144896	76	36	B1504210000	34	1	B3143527000	52	31
40144899	76	37	B1504210000	86	37	B3214047000	50	32
40144901	76	38	B1504210000	88	37	B3214047000	52	32
40144903	76	39	B1504210000	90	48	B3417051000	86	47
40144905	76	40	B1504210000	94	48	B3417051000	88	40
40144907	76	41	B1516210D00	72	27	B3417051000	92	62
40148031	16	29	B152652700G	30	8	B3417051000	96	67
40148032	16	7	B152652700G	32	63	B3428521000	70	16
40148033	16	32	B1639051000	10	8	B3525357000	62	23
40148034	16	11	B1803019000	4	40	B3534012000	62	25
40148035	16	34	B1834512000A	62	60	B4122804000	30	48
40148036	16	35	B1834512000A	64	95	B9113012000	72	44
40148037	16	43	B2508047000	42	56	B91210120A0	72	18
40148038	16	44	B255728000A	12	75	BP500000000	62	58
40148039	16	4	B255728000B	12	76	BT0400251EB	22	12
40148041	16	6	B255728000C	12	77	BT0400251EB	32	76
40148042	16	30	B255728000D	12	78	BT0400251EB	34	2
40148043	16	33	B255728000E	12	79	BT0400251EB	36	6
40148044	16	36	B3019816000	14	25	BT0400251EB	46	13
40148045	16	47	B3031141H00	34	3	BT0400251EB	84	26
40148046	16	48	B3031141H00	86	27	BT0400251EB	86	26
40148047	16	49	B3031141H00	88	27	BT0400251EB	88	26
40151791	60	15	B3031141H00	90	38	BT0400251EB	90	37
40152022	60	35	B3031141H00	94	38	BT0400251EB	92	68
40153187	76	43	B3112704000	48	8	BT0400251EB	94	37
40153188	76	42	B3112704000	50	24	BT0400251EB	96	68
40154199	20	78	B3112704000	52	24	BT0600401EB	58	1
B1132521000	2	15	B3126012000	48	31	BT0600401EB	72	38
B1203512000	4	11	B3126012000	50	25	BT0600401EB	84	28
B122177100A	12	67	B3126012000	52	25	BT0600401EB	92	63
B122177100B	12	68	B312905300	50	40	BT0600401EB	96	63

NUMERICAL INDEX OF PARTS

PART NO	PAGE	REF NO.	PART NO	PAGE	REF NO.	PART NO	PAGE	REF NO.
BT0800501EB	58	2	EA9500B0100	58	13	NM6050001SD	24	21
BT0800501EB	72	39	EA9500B0100	62	52	NM6050001SD	30	54
BT0800501EB	84	29	EA9500B0100	64	104	NM6050001SD	86	22
BT0800501EB	92	64	EA9500B0100	72	8	NM6050001SD	88	22
BT0800501EB	96	64	EA9500B0100	84	17	NM6050001SD	90	33
CM300200001	2	7	EA9500B0100	90	53	NM6050001SD	94	33
CM300400901	54	78	EA9500B0100	94	53	NM6050001SE	66	24
CM300400902	54	79	EA9500B0200	58	12	NM6050001SE	68	28
CQ200000000	62	42	EA9500B0200	64	105	NM6050001SP	72	26
CQ200000000	64	100	EA9500B0200	72	45	NM6050001SP	84	24
CQ202000000	4	53	EA9500B0200	84	27	NM6050001SP	90	60
CQ202000000	18	54	EA9500B0200	92	65	NM6050001SP	94	60
CQ202000000	20	77	EA9500B0200	96	65	NM6060001CP	4	42
CQ202000000	28	97	G1216870000	10	37	NM6060001CP	26	31
CQ202000000	64	77	HX00150000B	72	30	NM6060001CP	36	9
CQ252000000	6	16	HX00150000C	58	14	NM6060001CP	54	65
CQ252000000	18	56	HX00150000D	64	101	NM6060001CP	86	9
CQ252000000	64	94	HX00150000H	58	8	NM6060001CP	88	9
CQ300000000	64	114	HX00150000M	58	9	NM6060001CP	90	20
CS0800881TP	10	41	HX003140000	22	24	NM6060001CP	94	20
CS1201010SH	24	22	HX00314000A	22	25	NM6060001SD	18	25
CS1201010SH	30	33	M13517B1400	6	20	NM6060001SE	24	18
CS1701181TP	6	3	M13517B1400	8	15	NM6160511SE	68	27
CS1701181TP	8	3	M13517B1402	72	19	NS6110310SP	24	14
D1231555B00	18	51	M13517B2000	6	31	NS6110310SP	44	68
D1231555B00	26	53	M13517B2002	72	42	NS6110310SP	48	23
D2112555B00	2	39	MAH152010A0	82	1	NS6110310SP	50	33
D2112555B00	64	88	MAT80230T00	70	3	NS6110310SP	52	33
D2112555B00	80	10	MAT80230T00	84	37	NS6110310SP	62	31
D2112555B00	86	42	MAT80230T00	92	72	NS6680410SP	28	85
D2112555B00	88	42	MAT80230T00	96	72	PA200150900	32	84
D2112555B00	92	80	MAT80231T00	70	4	PA200350300	46	10
D2112555B00	96	80	MAT80231T00	84	38	PA250250900	34	12
D2464555B00	46	11	MAT80231T00	92	73	PA250250900	36	5
D2611555B00	64	86	MAT80231T00	96	73	PA250250900	86	36
D2629M1YC0F	30	52	MAT80232T00	70	5	PA250250900	88	36
D2629M1YC0F	86	20	MAT80232T00	84	31	PA250250900	90	47
D2629M1YC0F	88	20	MAT80232T00	92	74	PA250250900	94	47
D2629M1YC0F	90	31	MAT80232T00	96	74	PA400150200	22	16
D2629M1YC0F	94	31	MDFRX1600C0	72	10	PA400150200	84	5
E2613700000	18	26	MTJVH00540A	80	7	PA400150200	90	5
E3026721000	4	41	MTSP00700B0	80	6	PA400150200	94	5
EA9500B0100	32	91	NM6030001SC	56	7	PF055107000	72	21
EA9500B0100	36	21	NM6040002SC	66	27	PF055107000	84	20
EA9500B0100	56	16	NM6040002SE	68	24	PF055107000	90	56

NUMERICAL INDEX OF PARTS

PART NO	PAGE	REF NO.	PART NO	PAGE	REF NO.	PART NO	PAGE	REF NO.
PF055107000	94	56	RE0320000K0	34	4	SD0600346TP	52	52
PJ020500002	58	7	RE0320000K0	86	28	SD0640322TP	10	20
PJ020500002	86	45	RE0320000K0	88	28	SD0640752TP	54	61
PJ020500002	88	45	RE0320000K0	90	39	SD0650321TP	44	70
PJ025100003	72	20	RE0320000K0	94	39	SD0800321TH	46	16
PJ025100003	84	19	RE0400000K0	18	57	SD0800327TP	54	73
PJ025100003	90	55	RE0400000K0	22	23	SD0800341SP	46	17
PJ025100003	94	55	RE0400000K0	46	15	SD0800346TP	32	79
PJ046052503	32	77	RE0400000K0	84	12	SD0800406TP	36	24
PJ046052503	36	7	RE0400000K0	90	12	SD0800406TP	86	16
PJ046052503	46	14	RE0400000K0	94	12	SD0800406TP	88	16
PJ046052503	86	8	RE0500000K0	10	9	SD0800406TP	90	27
PJ046052503	88	8	RE0500000K0	42	17	SD0800406TP	94	27
PJ046052503	90	19	RE0500000K0	44	103	SD0802126TP	18	24
PJ046052503	94	19	RE0500000K0	48	36	SD0900426TP	32	80
PJ301040502	86	46	RE0500000K0	50	46	SD1000406TP	24	19
PJ301040502	88	46	RE0500000K0	52	48	SD1021251SP	26	20
PJ304040504	34	5	RE0700000K0	52	56	SK3482001SE	70	11
PJ304040504	86	29	RE1000000K0	24	15	SK3482001SE	72	46
PJ304040504	88	29	RE1200000K0	26	60	SK3482001SE	84	14
PJ304040504	90	40	RO037180100	48	26	SK3482001SE	90	50
PJ304040504	94	40	RO037180100	50	34	SK3482001SE	94	50
PJ304045102	22	21	RO037180100	52	34	SK3482500SC	70	29
PJ304045102	84	10	RO092270200	30	55	SK3482500SC	72	17
PJ304045102	90	10	RO098240100	62	44	SK3514000SC	70	30
PJ304045102	94	10	SB108000400	10	60	SK3514000SC	84	25
PJ304065101	72	22	SB108000400	12	61	SK3514000SC	92	69
PJ304065101	84	21	SB108001900	4	55	SK3514000SC	96	69
PJ304065101	90	57	SB115000200	28	73	SL4040691SC	40	6
PJ304065101	94	57	SB115001000	10	44	SL4040691SC	86	49
PS0100052KP	18	7	SB115002200	12	64	SL4040691SC	88	54
PV150209100	58	6	SB117000700	28	99	SL4040691SC	92	82
PV150209100	86	44	SB120001800	4	13	SL4040691SC	96	87
PV150209100	88	44	SB120001800	10	5	SL4040881SC	30	26
RC0150001KP	18	53	SB120002700	4	16	SL4041091SC	58	3
RC0150001KP	26	59	SB125000600	18	58	SL4041491SC	38	6
RC0560711KP	60	17	SB130000200	28	72	SL4041491SC	86	40
RC0650811KP	28	71	SB310000300	4	56	SL4041491SC	92	67
RC0740811KP	36	23	SD0380556TL	2	16	SL4051091SC	46	18
RC0740811KP	86	15	SD0450401SP	48	27	SL6051092TN	62	45
RC0740811KP	88	15	SD0450401SP	50	35	SL6052592TN	4	17
RC0740811KP	90	26	SD0450401SP	52	35	SM0030601SC	60	18
RC0740811KP	94	26	SD0460576TP	42	54	SM0050801SC	20	61
RC2351018KP	10	36	SD0500803TP	24	16	SM0051001SC	60	34
RE0300000K0	42	60	SD0550271TP	56	8	SM1040750TP	2	46

NUMERICAL INDEX OF PARTS

PART NO	PAGE	REF NO.	PART NO	PAGE	REF NO.	PART NO	PAGE	REF NO.
SM1061201SN	10	21	SM5040655SN	60	19	SM6051202TP	88	25
SM2051000SC	2	38	SM6030402TP	62	19	SM6051202TP	90	58
SM4021601SN	40	3	SM6030450TP	14	31	SM6051202TP	94	58
SM4030455SP	8	36	SM6030602TP	44	72	SM6051400SP	24	5
SM4030601SN	18	10	SM6030602TP	56	9	SM6051400SP	30	57
SM4040501SN	54	84	SM6031202TP	60	20	SM6051400SP	86	24
SM4040501SN	88	50	SM6040502TP	26	27	SM6051400SP	88	24
SM4040501SN	96	62	SM6040602TP	8	19	SM6051400SP	90	35
SM4040655SP	44	92	SM6040602TP	64	102	SM6051400SP	94	35
SM4040655SP	62	51	SM6040650TP	6	10	SM6051402TP	10	53
SM4040855SP	58	15	SM6040650TP	8	14	SM6051402TP	26	52
SM4041001SC	68	20	SM6040650TP	10	45	SM6051402TP	46	21
SM4041201SC	38	7	SM6040650TP	12	63	SM6051402TP	82	3
SM4041201SC	66	29	SM6040650TP	14	37	SM6051602TP	4	49
SM4041201SC	68	22	SM6040650TP	18	59	SM6051602TP	30	59
SM4041201SC	88	51	SM6040650TP	28	91	SM6051802TP	22	8
SM4041201SC	96	84	SM6040802TP	14	27	SM6052002TP	30	30
SM4041401SC	54	71	SM6040802TP	30	42	SM6054502TN	22	20
SM4042001SC	68	23	SM6040802TP	44	76	SM6054502TN	84	9
SM4042501SC	66	28	SM6040870SP	2	34	SM6054502TN	90	9
SM4050501SC	6	29	SM6040870SP	54	77	SM6054502TN	94	9
SM4050855SP	2	40	SM6041002TP	44	64	SM6054502TP	34	10
SM4050855SP	30	56	SM6041150TP	54	82	SM6054502TP	86	34
SM4050855SP	36	8	SM6041150TP	88	48	SM6054502TP	88	34
SM4050855SP	48	37	SM6041150TP	96	83	SM6054502TP	90	45
SM4050855SP	50	49	SM6041402TP	30	45	SM6054502TP	94	45
SM4050855SP	52	55	SM6041802TP	30	21	SM6055002TP	36	10
SM4050855SP	72	29	SM6041802TP	32	73	SM6055002TP	86	10
SM4050855SP	80	9	SM6041802TP	62	34	SM6055002TP	88	10
SM4050855SP	86	41	SM6043002TN	64	84	SM6055002TP	90	21
SM4050855SP	88	41	SM6050450TP	54	68	SM6055002TP	94	21
SM4050855SP	90	34	SM6050800SP	28	94	SM6056552TP	46	22
SM4050855SP	92	79	SM6050802TP	22	9	SM6060550TP	64	89
SM4050855SP	94	34	SM6050802TP	32	81	SM6061002TP	2	42
SM4050855SP	96	79	SM6050802TP	46	20	SM6061002TP	34	8
SM4051001SN	48	38	SM6051000SP	20	60	SM6061002TP	46	12
SM4051001SN	50	43	SM6051002TP	4	43	SM6061002TP	86	32
SM4051001SN	54	80	SM6051002TP	44	78	SM6061002TP	88	32
SM4051055SP	2	32	SM6051202TP	24	4	SM6061002TP	90	43
SM4051055SP	72	33	SM6051202TP	30	58	SM6061002TP	94	43
SM4051255SP	56	12	SM6051202TP	42	46	SM6061010TP	32	82
SM4051405SE	66	23	SM6051202TP	52	60	SM6061202TP	20	62
SM4051405SE	68	18	SM6051202TP	72	24	SM6061402TP	28	83
SM4055501SC	2	4	SM6051202TP	84	22	SM6061402TP	82	4
SM4061201SC	80	4	SM6051202TP	86	25	SM6061602TP	22	19

NUMERICAL INDEX OF PARTS

PART NO	PAGE	REF NO.	PART NO	PAGE	REF NO.	PART NO	PAGE	REF NO.
SM6061602TP	32	83	SM8060612TP	22	7	SS7111410SP	92	76
SM6061602TP	34	9	SM8060612TP	26	47	SS7111410SP	96	76
SM6061602TP	84	8	SM8060612TP	28	80	SS8080410TP	6	15
SM6061602TP	86	33	SM8060612TP	30	27	SS8110422TP	28	74
SM6061602TP	88	33	SM8060612TP	32	72	SS8111010TP	10	22
SM6061602TP	90	44	SM8060812TP	4	25	SS8151550SP	4	21
SM6061602TP	94	44	SM8060812TP	10	6	SS8660610TP	26	58
SM6061610SC	68	17	SM8060812TP	28	81	SS8660612TP	10	23
SM6061802TP	10	47	SM8060812TP	44	80	SS8661012TP	48	39
SM6061802TP	28	75	SM80608A2TP	4	14	SS8661012TP	50	44
SM6061802TP	62	49	SM8061212TP	54	64	SS8661012TP	52	46
SM6062002TP	20	63	SM8063012TR	24	13	SS9110460CP	52	51
SM6081552TP	22	18	SM8080812TP	4	22	TA0180401M0	10	34
SM6081552TP	84	7	SM9061203SE	70	26	TA0290301M0	4	54
SM6081552TP	90	7	SM9061853SR	24	20	TA0500301R0	6	30
SM6081552TP	94	7	SQ0000401MZ	62	21	TA0500301R0	8	6
SM6084502TP	36	11	SS3090710TP	48	28	TA0620504R0	6	5
SM6084502TP	86	11	SS4090515SP	56	5	TA0620504R0	8	5
SM6084502TP	88	11	SS4090715SP	8	28	TA0620504R0	12	66
SM6084502TP	90	22	SS4110615SP	48	29	TA1030402R0	2	19
SM6084502TP	94	22	SS4110615SP	50	36	TA1250406R0	2	21
SM8040312TP	42	48	SS4110615SP	52	36	TA1270502R0	2	20
SM8040412TP	28	76	SS6060220SP	44	82	TA1550902R0	2	35
SM8040412TP	54	69	SS6060510TP	8	31	TA1650406R0	2	9
SM8050412TP	10	49	SS6080320SP	14	41	WP0320501SC	60	26
SM8050412TP	30	47	SS6090520SP	44	84	WP0320501SE	56	10
SM8050502TP	60	21	SS6090612TP	26	50	WP0371016SD	8	27
SM8050512TP	44	86	SS6110480SP	44	74	WP0430800SD	20	79
SM8050512TP	62	46	SS6111010TP	28	82	WP0430800SD	62	33
SM8050612TP	18	14	SS6121210SP	30	60	WP0430801SC	38	8
SM8050612TP	28	79	SS6151220SP	70	6	WP0430801SC	88	52
SM8050612TP	42	50	SS6151220SP	84	32	WP0430801SC	96	85
SM80506A2TP	10	51	SS6151220SP	92	75	WP0431005SP	26	30
SM8050812TP	4	7	SS6151220SP	96	75	WP0431005SP	30	44
SM8050812TP	28	78	SS7090510SP	50	37	WP0431005SP	32	90
SM8050842TP	28	77	SS7090510SP	52	37	WP0450000SD	44	88
SM8051002TP	60	33	SS7090510SP	70	17	WP0450826SC	60	22
SM8060552TP	14	21	SS7090910TP	6	12	WP0460326SF	54	85
SM8060552TP	18	42	SS7110710SL	70	8	WP0460556SD	48	32
SM8060552TP	20	66	SS7110710SL	84	34	WP0460556SD	50	39
SM8060552TP	26	43	SS7110710SL	92	77	WP0460556SD	52	39
SM8060612TP	4	45	SS7110710SL	96	77	WP0480856SP	70	9
SM8060612TP	6	4	SS7110740TP	36	19	WP0480856SP	84	35
SM8060612TP	8	4	SS7111410SP	70	7	WP0480856SP	92	78
SM8060612TP	20	65	SS7111410SP	84	33	WP0480856SP	96	78

NUMERICAL INDEX OF PARTS

PART NO	PAGE	REF NO.
WP0501016SD	48	30
WP0501016SD	50	38
WP0501016SD	52	38
WP0531000SD	4	26
WP0531001SC	66	22
WP0550800SP	26	26
WP0550800SP	44	90
WP0650876SD	28	61
WP0740516SP	26	3
WP0740516SP	28	86
WP0820516SP	4	44
WP1612616SE	66	15
WP1612616SE	68	25
WS0510002KN	66	21
WS0510002KN	68	29
WS0510002KN	72	25
WS0510002KN	84	23
WS0510002KN	90	59
WS0510002KN	94	59
WS1643202KR	68	26
WT1780011KP	30	40
WZ1052010KP	22	11