

MODEL : MOR-3900 SUBCLASSES/MOR-3914

List No : 1112-00

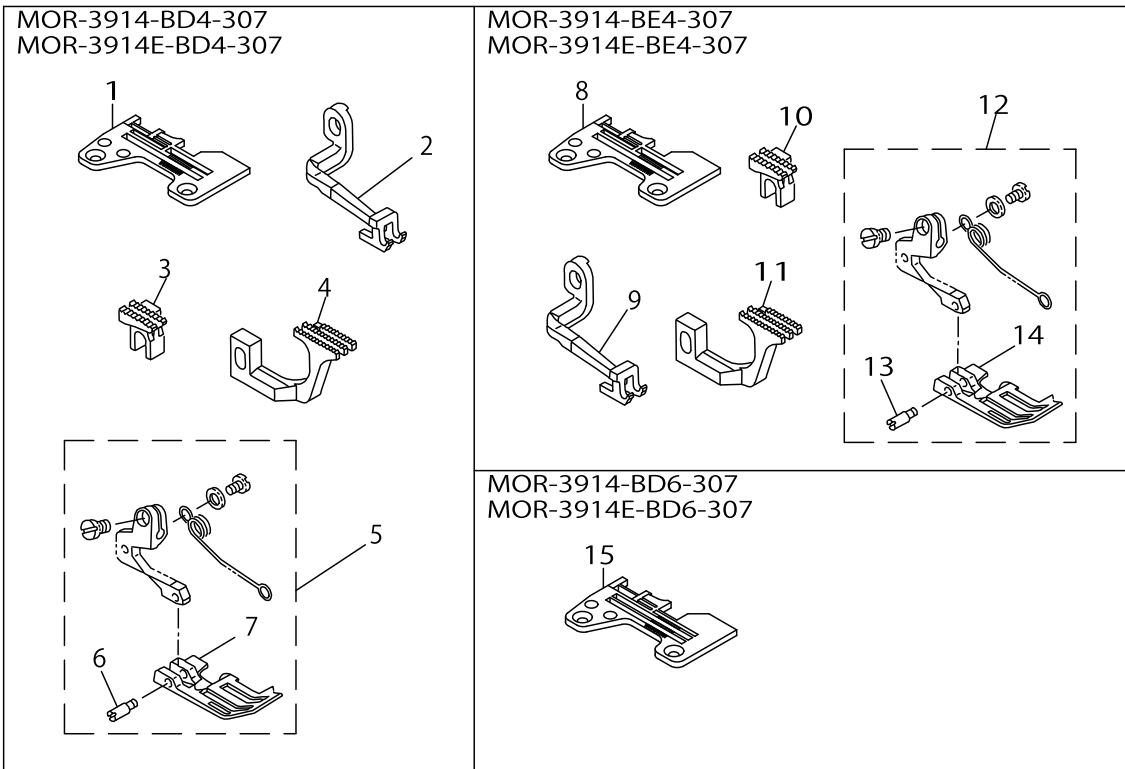
PARTS LIST

Published:07/01/2017

CONTENTS

MOR-3900 SUBCLASSES (1).....	1
MOR-3900 SUBCLASSES (2).....	3
MOR-3900 SUBCLASSES (3).....	5
MOR-3900 SUBCLASSES (4).....	7
MOR-3900 SUBCLASSES (5).....	9
MOR-3900 SUBCLASSES (6).....	11
MOR-3900 SUBCLASSES (7).....	13
MOR-3900 SUBCLASSES (8).....	15
MOR-3900 SUBCLASSES (9).....	17
HOW TO MAKE USE OF THIS PARTS LIST	19

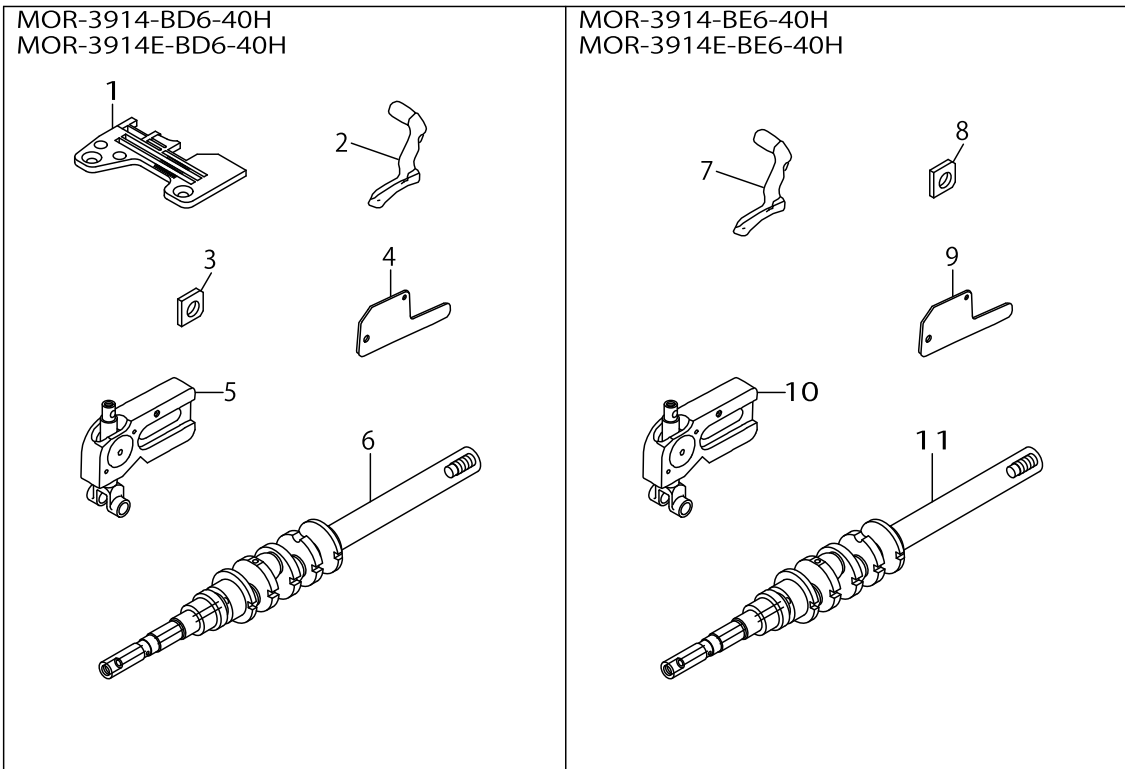
MOR-3900 SUBCLASSES (1)



MOR-3900 SUBCLASSES (1)

No.	Supply Code	Parts No.	Replacement	Parts name	Remarks	Choice	Step	Level	Cons	Qty	Rep. QTY
1	R	R4205J0DE00	R4205J6DE00	THROAT PLATE						1	1.00
2		11936705		TOP FEED DOG						1	
3		11597101		MAIN FEED DOG						1	
4		B1657814B0E		DIFFERENTIAL FEED DOG						1	
5		11932357		PRESSER FOOT ASM.						1	
6		11930500		PRESSER FOOT HINGE PIN				*		1	
7	D	11926201		PRESSER FOOT				*		1	
8	R	R4205J0EE00	R4205J6EE00	THROAT PLATE						1	1.00
9		11936705		TOP FEED DOG						1	
10		11597101		MAIN FEED DOG						1	
11		B1657814B0E		DIFFERENTIAL FEED DOG						1	
12		11932357		PRESSER FOOT ASM.						1	
13		11930500		PRESSER FOOT HINGE PIN				*		1	
14	D	11926201		PRESSER FOOT				*		1	
15	R	R4305J0DE00	R4305J6DE00	THROAT PLATE						1	1.00

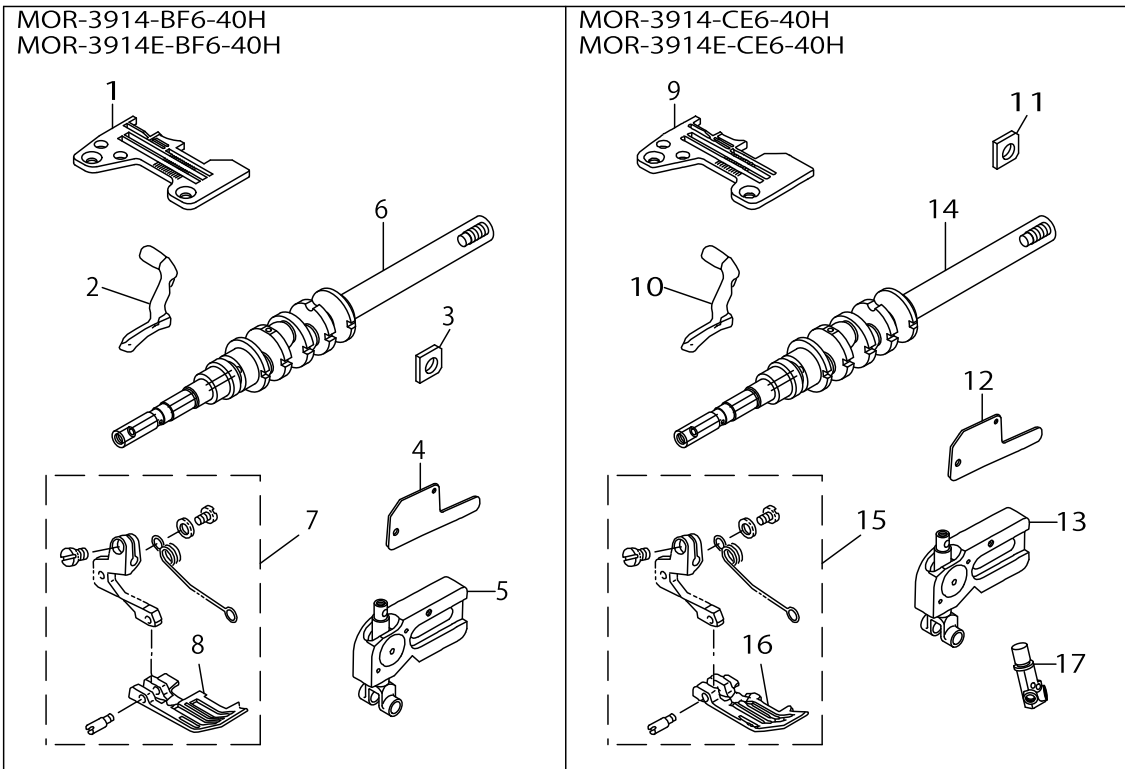
MOR-3900 SUBCLASSES (2)



MOR-3900 SUBCLASSES (2)

No.	Supply Code	Parts No.	Replacement	Parts name	Remarks	Choice	Step	Level	Cons	Qty	Rep. QTY
1	R	R4305J0DE00	R4305J6DE00	THROAT PLATE						1	1.00
2		12176103		UPPER LOOPER						1	
3	R	11991809	13132006	GAUGE						1	1.00
4		11991601		UPPER LOOPER GUIDE COVER						1	
5	R	12123055	40015637	UPPER LOOPER GUIDE ASM.						1	1.00
6	D	12303103		MAIN SHAFT						1	
7		12176103		UPPER LOOPER						1	
8	R	11991809	13132006	GAUGE						1	1.00
9		11991601		UPPER LOOPER GUIDE COVER						1	
10	R	12123055	40015637	UPPER LOOPER GUIDE ASM.						1	1.00
11	D	12303103		MAIN SHAFT						1	

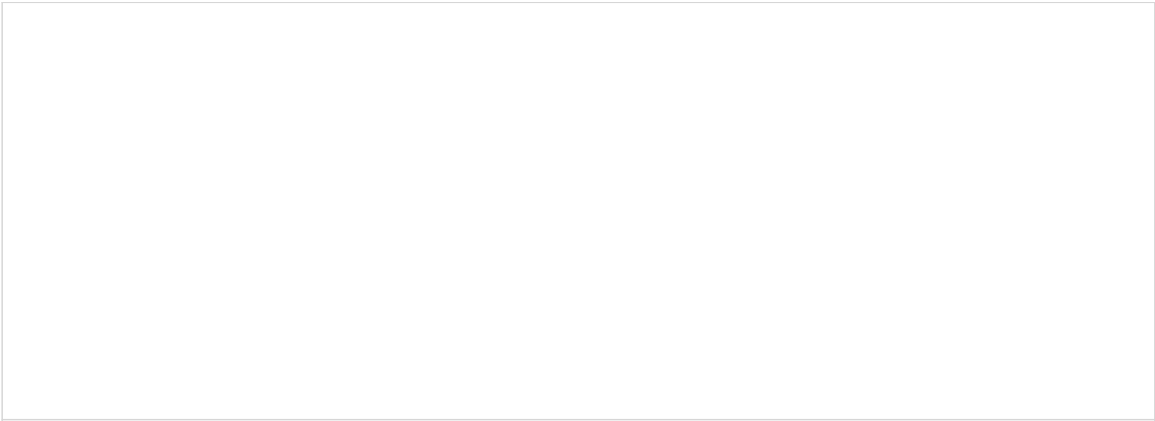
MOR-3900 SUBCLASSES (3)

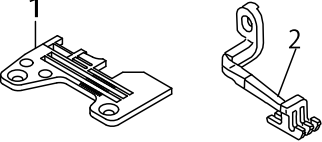
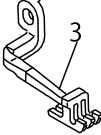


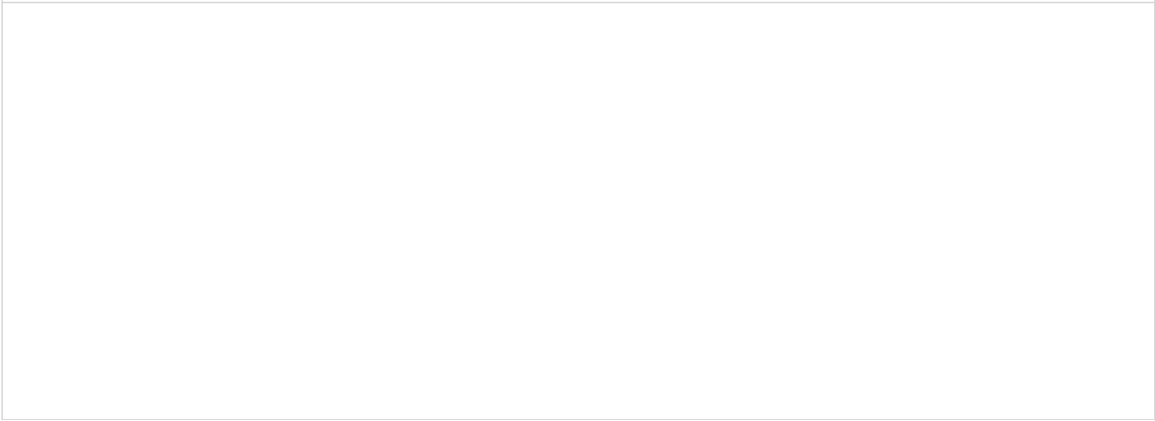
MOR-3900 SUBCLASSES (3)

No.	Supply Code	Parts No.	Replacement	Parts name	Remarks	Choice	Step	Level	Cons	Qty	Rep. QTY
1		R4305J0FE00		THROAT PLATE						1	
2		12176103		UPPER LOOPER						1	
3	R	11991809	13132006	GAUGE						1	1.00
4		11991601		UPPER LOOPER GUIDE COVER						1	
5	R	12123055	40015637	UPPER LOOPER GUIDE ASM.						1	1.00
6	D	12303103		MAIN SHAFT						1	
7		11932654		PRESSER FOOT ASM.						1	
8	R	11926508	11932654	PRESSER FOOT				*		1	1.00
9		R4306J0EE00		THROAT PLATE						1	
10		12176103		UPPER LOOPER						1	
11	R	11991809	13132006	GAUGE						1	1.00
12		11991601		UPPER LOOPER GUIDE COVER						1	
13	R	12123055	40015637	UPPER LOOPER GUIDE ASM.						1	1.00
14	D	12303103		MAIN SHAFT						1	
15	D	11942653		PRESSER FOOT ASM.						1	
16		11942604		PRESSER FOOT				*		1	
17		12149209		NEEDLE CLAMP, 2-NEEDLE						1	

MOR-3900 SUBCLASSES (4)

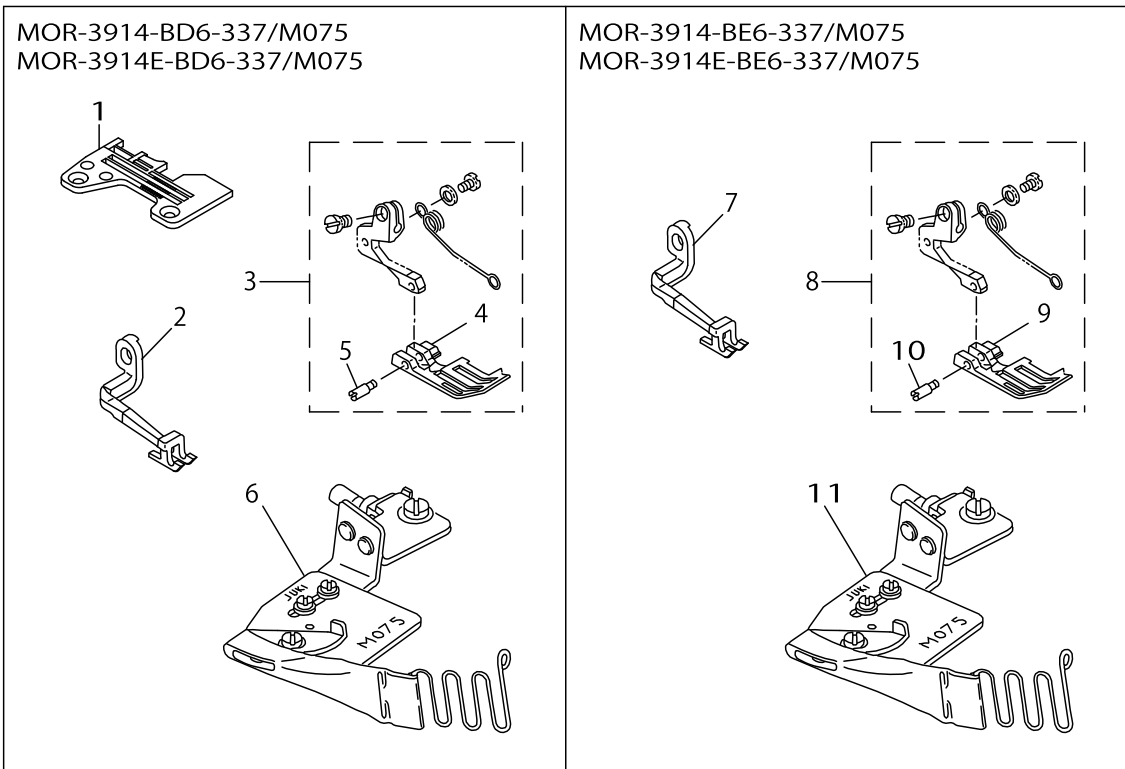


<p>MOR-3914-BD6-327 MOR-3914E-BD6-327</p> 	<p>MOR-3914-BE6-327 MOR-3914E-BE6-327</p> 
----------------------------------------------------------------------------------------------------------------------------------	-----------------------------------------------------------------------------------------------------------------------------------



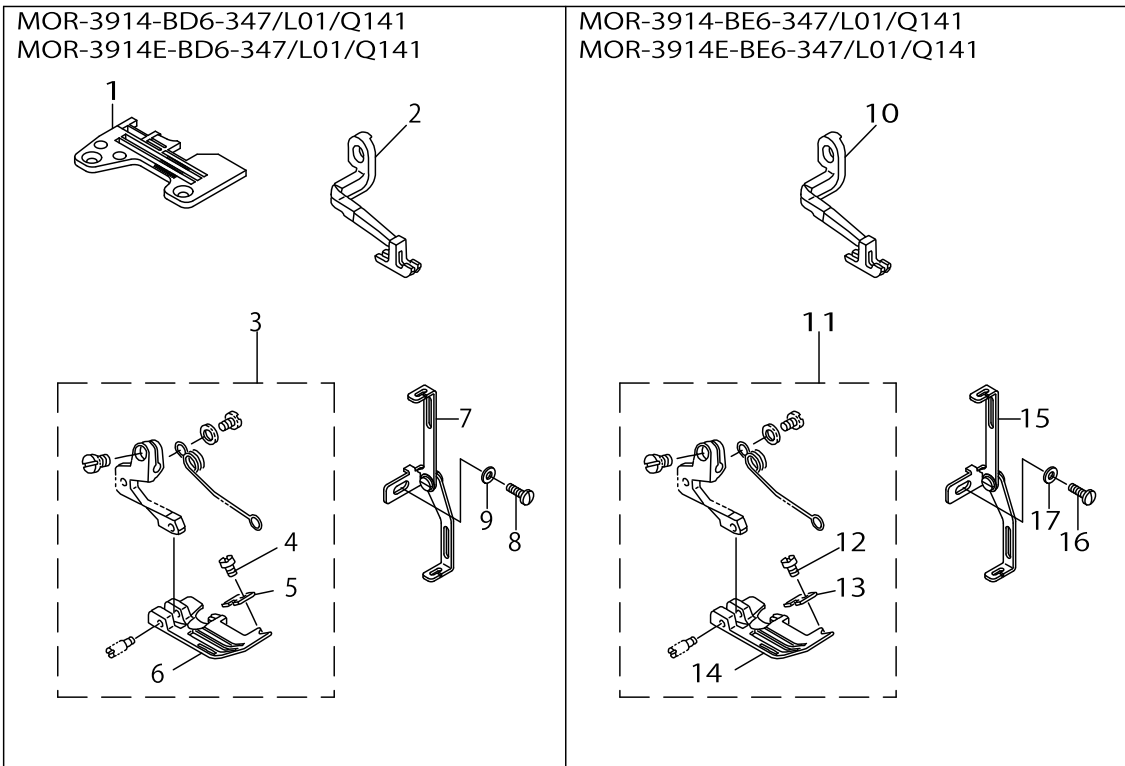
MOR-3900 SUBCLASSES (4)

No.	Supply Code	Parts No.	Replacement	Parts name	Remarks	Choice	Step	Level	Cons	Qty	Rep. QTY
1	R	R4305J0DE00	R4305J6DE00	THROAT PLATE						1	1.00
2		12330304		UPPER FEED DOG						1	
3		12330304		UPPER FEED DOG						1	



MOR-3900 SUBCLASSES (5)

No.	Supply Code	Parts No.	Replacement	Parts name	Remarks	Choice	Step	Level	Cons	Qty	Rep. QTY
1	R	R4305J0DE00	R4305J6DE00	THROAT PLATE						1	1.00
2	D	11937901		TOP FEED DOG						1	
3	D	11934155		PRESSER FOOT ASM.						1	
4	D	11927506		PRESSER FOOT				*		1	
5		11930500		PRESSER FOOT HINGE PIN				*		1	
6		MAM0750J0A0		PIPING FOLDER ASM. 9MM						1	
7	D	11937901		TOP FEED DOG						1	
8	D	11934155		PRESSER FOOT ASM.						1	
9	D	11927506		PRESSER FOOT				*		1	
10		11930500		PRESSER FOOT HINGE PIN				*		1	
11		MAM0750J0A0		PIPING FOLDER ASM. 9MM						1	

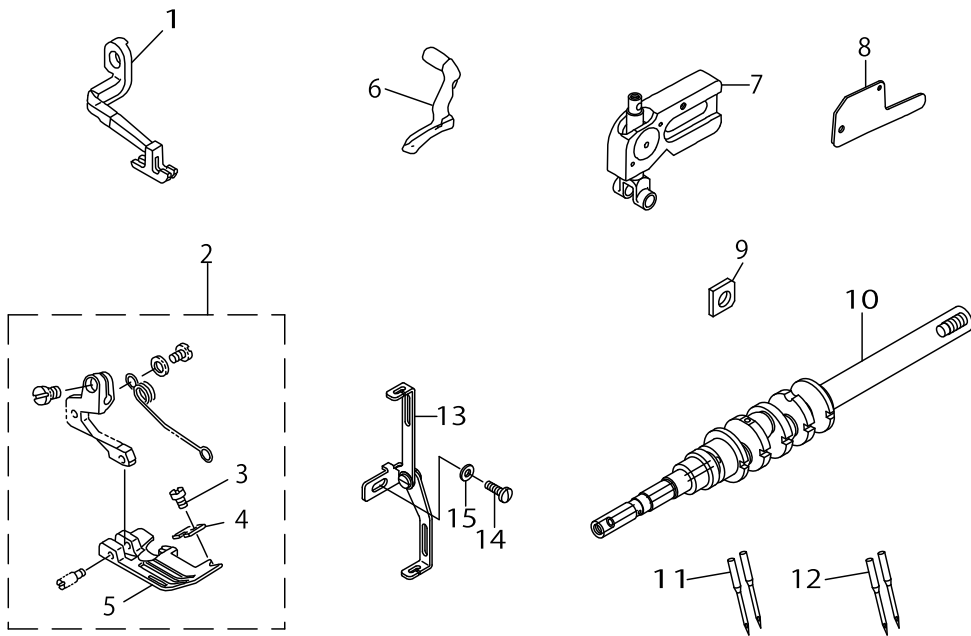


MOR-3900 SUBCLASSES (6)

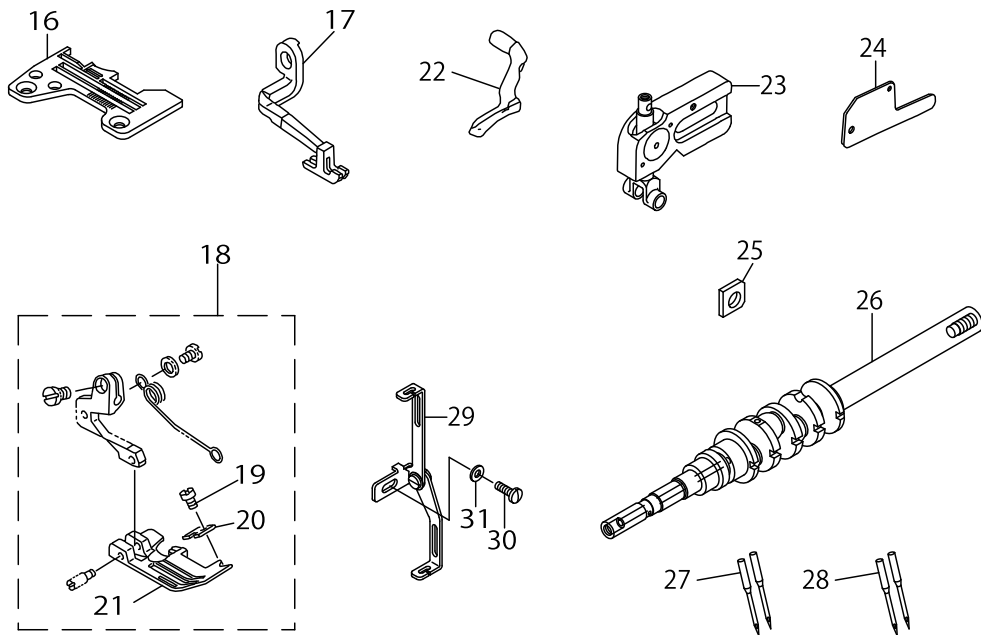
No.	Supply Code	Parts No.	Replacement	Parts name	Remarks	Choice	Step	Level	Cons	Qty	Rep. QTY
1	R	R4305J0DE00	R4305J6DE00	THROAT PLATE						1	1.00
2		11939204		TOP FEED DOG (M01)						1	
3	D	11934551		PRESSER FOOT ASM.(L01)						1	
4		SS7060310SP		SCREW 3/32-56 L=3				*		1	
5		11931805		TAPE GUIDE PLATE				*		1	
6	R	11927902	11934551	PRESSER FOOT				*		1	1.00
7	R	MAQ141000A0	MAQ141000B0	TAPE GUIDE ASM.						1	1.00
8		SS7091110TP		SCREW 9/64-40 L=10.5						1	
9		WP0371016SD		WASHER 3.7X8X1						1	
10		11939204		TOP FEED DOG (M01)						1	
11	D	11934551		PRESSER FOOT ASM.(L01)						1	
12		SS7060310SP		SCREW 3/32-56 L=3				*		1	
13		11931805		TAPE GUIDE PLATE				*		1	
14	R	11927902	11934551	PRESSER FOOT				*		1	1.00
15	R	MAQ141000A0	MAQ141000B0	TAPE GUIDE ASM.						1	1.00
16		SS7091110TP		SCREW 9/64-40 L=10.5						1	
17		WP0371016SD		WASHER 3.7X8X1						1	

MOR-3900 SUBCLASSES (7)

MOR-3914-BE6-44H/L01/Q141
MOR-3914E-BE6-44H/L01/Q141



MOR-3914-BF6-44H/L01/Q141
MOR-3914E-BF6-44H/L01/Q141

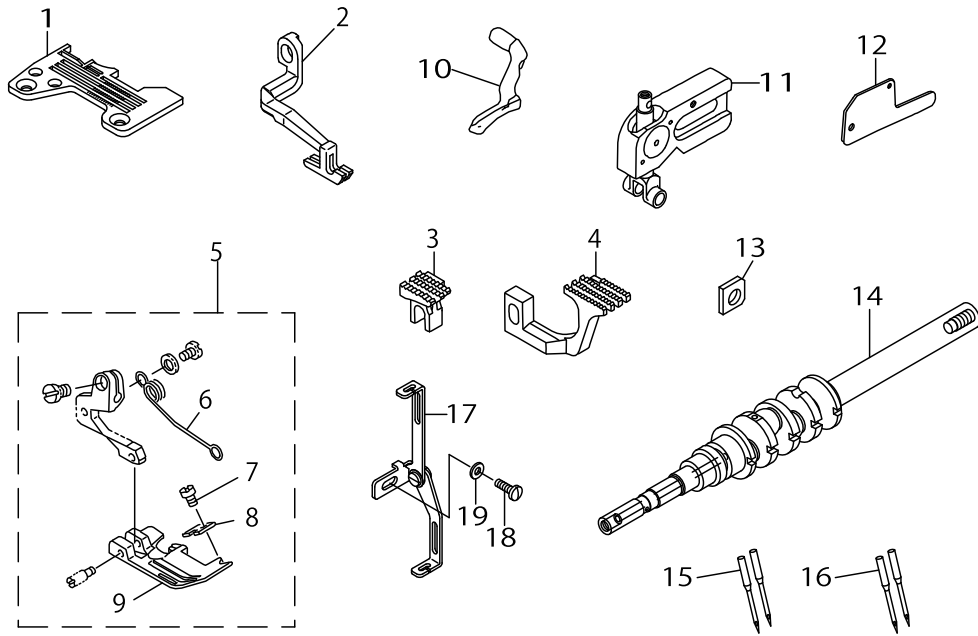


MOR-3900 SUBCLASSES (7)

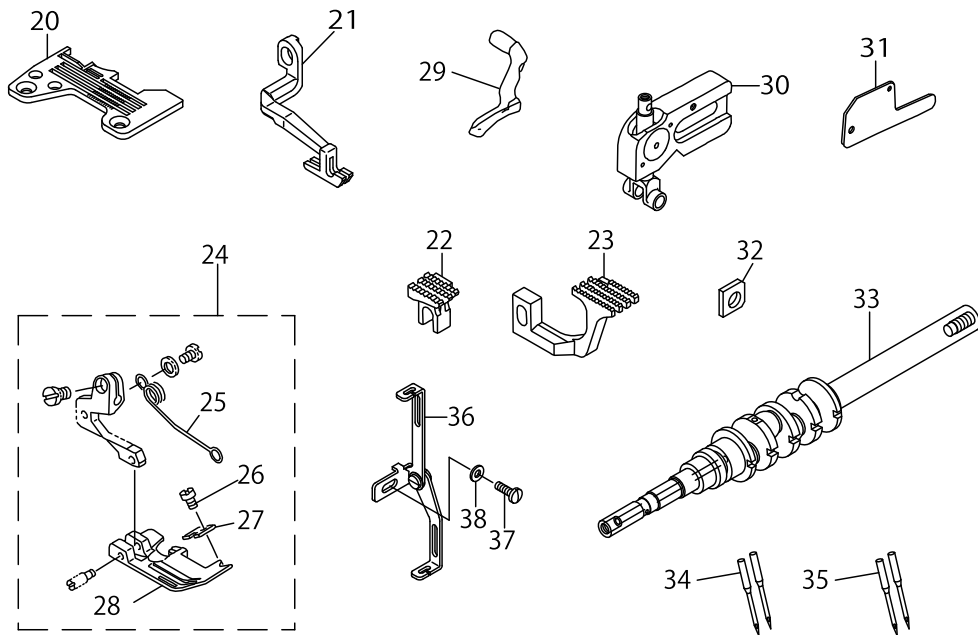
No.	Supply Code	Parts No.	Replacement	Parts name	Remarks	Choice	Step	Level	Cons	Qty	Rep. QTY
1		11939204		TOP FEED DOG (M01)						1	
2	D	11934551		PRESSER FOOT ASM.(L01)						1	
3		SS7060310SP		SCREW 3/32-56 L=3				*		1	
4		11931805		TAPE GUIDE PLATE				*		1	
5	R	11927902	11934551	PRESSER FOOT				*		1	1.00
6		12176103		UPPER LOOPER						1	
7	R	12123055	40015637	UPPER LOOPER GUIDE ASM.						1	1.00
8		11991601		UPPER LOOPER GUIDE COVER						1	
9	R	11991809	13132006	GAUGE						1	1.00
10	D	12303103		MAIN SHAFT						1	
11		MDC270B1400		NEEDLE DCX27 #14						2	
12	D	MC033600900		NEEDLE B-27 NM90						2	
13	R	MAQ141000A0	MAQ141000B0	TAPE GUIDE ASM.						1	1.00
14		SS7091110TP		SCREW 9/64-40 L=10.5						1	
15		WP0371016SD		WASHER 3.7X8X1						1	
16		R4305J0FE00		THROAT PLATE						1	
17		11939204		TOP FEED DOG (M01)						1	
18	D	11934551		PRESSER FOOT ASM.(L01)						1	
19		SS7060310SP		SCREW 3/32-56 L=3				*		1	
20		11931805		TAPE GUIDE PLATE				*		1	
21	R	11927902	11934551	PRESSER FOOT				*		1	1.00
22		12176103		UPPER LOOPER						1	
23	R	12123055	40015637	UPPER LOOPER GUIDE ASM.						1	1.00
24		11991601		UPPER LOOPER GUIDE COVER						1	
25	R	11991809	13132006	GAUGE						1	1.00
26	D	12303103		MAIN SHAFT						1	
27		MDC270B1400		NEEDLE DCX27 #14						2	
28	D	MC033600900		NEEDLE B-27 NM90						2	
29	R	MAQ141000A0	MAQ141000B0	TAPE GUIDE ASM.						1	1.00
30		SS7091110TP		SCREW 9/64-40 L=10.5						1	
31		WP0371016SD		WASHER 3.7X8X1						1	

MOR-3900 SUBCLASSES (8)

MOR-3914-BD7-44H/L07/Q141
MOR-3914E-BD7-44H/L07/Q141



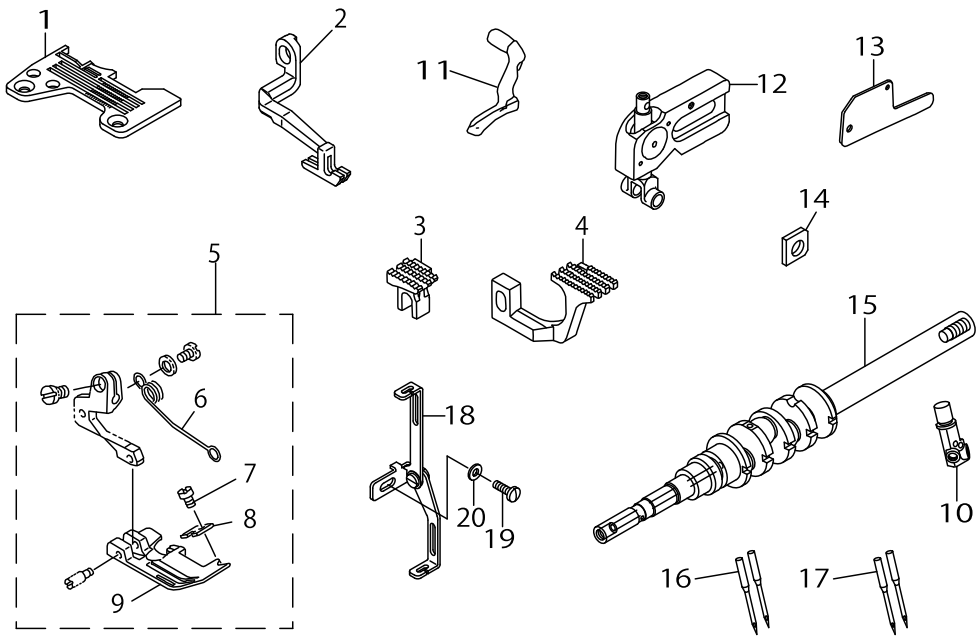
MOR-3914-BE7-44H/L07/Q141
MOR-3914E-BE7-44H/L07/Q141



MOR-3900 SUBCLASSES (8)

No.	Supply Code	Parts No.	Replacement	Parts name	Remarks	Choice	Step	Level	Cons	Qty	Rep. QTY
1		R4405J0DE00		THROAT PLATE						1	
2		11936911		TOP FEED DOG						1	
3		11883501		MAIN FEED DOG						1	
4		B1657814B0F		DIFFERENTIAL FEED DOG						1	
5		11932563		PRESSER FOOT ASM.						1	
6		11931003		PRESSER FOOT SPRING				*		1	
7		SS7060310SP		SCREW 3/32-56 L=3				*		1	
8		11931805		TAPE GUIDE PLATE				*		1	
9	D	11926417		PRESSER FOOT				*		1	
10		12176103		UPPER LOOPER						1	
11	R	12123055	40015637	UPPER LOOPER GUIDE ASM.						1	1.00
12		11991601		UPPER LOOPER GUIDE COVER						1	
13	R	11991809	13132006	GAUGE						1	1.00
14	D	12303103		MAIN SHAFT						1	
15		MDC270B1400		NEEDLE DCX27 #14						2	
16	D	MC033600900		NEEDLE B-27 NM90						2	
17	R	MAQ141000A0	MAQ141000B0	TAPE GUIDE ASM.						1	1.00
18		SS7091110TP		SCREW 9/64-40 L=10.5						1	
19		WP0371016SD		WASHER 3.7X8X1						1	
20	R	R4405J0EE00	R4405J6EE00	THROAT PLATE						1	1.00
21		11936911		TOP FEED DOG						1	
22		11883501		MAIN FEED DOG						1	
23		B1657814B0F		DIFFERENTIAL FEED DOG						1	
24		11932563		PRESSER FOOT ASM.						1	
25		11931003		PRESSER FOOT SPRING				*		1	
26		SS7060310SP		SCREW 3/32-56 L=3				*		1	
27		11931805		TAPE GUIDE PLATE				*		1	
28	D	11926417		PRESSER FOOT				*		1	
29		12176103		UPPER LOOPER						1	
30	R	12123055	40015637	UPPER LOOPER GUIDE ASM.						1	1.00
31		11991601		UPPER LOOPER GUIDE COVER						1	
32	R	11991809	13132006	GAUGE						1	1.00
33	D	12303103		MAIN SHAFT						1	
34		MDC270B1400		NEEDLE DCX27 #14						2	
35	D	MC033600900		NEEDLE B-27 NM90						2	
36	R	MAQ141000A0	MAQ141000B0	TAPE GUIDE ASM.						1	1.00
37		SS7091110TP		SCREW 9/64-40 L=10.5						1	
38		WP0371016SD		WASHER 3.7X8X1						1	

MOR-3914-CE7-44H/L07/Q141
MOR-3914E-CE7-44H/L07/Q141



MOR-3900 SUBCLASSES (9)

No.	Supply Code	Parts No.	Replacement	Parts name	Remarks	Choice	Step	Level	Cons	Qty	Rep. QTY
1	D	R4406J0EE00		THROAT PLATE						1	
2		11936911		TOP FEED DOG						1	
3		11883501		MAIN FEED DOG						1	
4		B1657814B0F		DIFFERENTIAL FEED DOG						1	
5		11932563		PRESSER FOOT ASM.						1	
6		11931003		PRESSER FOOT SPRING				*		1	
7		SS7060310SP		SCREW 3/32-56 L=3				*		1	
8		11931805		TAPE GUIDE PLATE				*		1	
9	D	11926417		PRESSER FOOT				*		1	
10		12149209		NEEDLE CLAMP, 2-NEEDLE						1	
11		12176103		UPPER LOOPER						1	
12	R	12123055	40015637	UPPER LOOPER GUIDE ASM.						1	1.00
13		11991601		UPPER LOOPER GUIDE COVER						1	
14	R	11991809	13132006	GAUGE						1	1.00
15	D	12303103		MAIN SHAFT						1	
16		MDC270B1400		NEEDLE DCX27 #14						2	
17	D	MC033600900		NEEDLE B-27 NM90						2	
18	R	MAQ141000A0	MAQ141000B0	TAPE GUIDE ASM.						1	1.00
19		SS7091110TP		SCREW 9/64-40 L=10.5						1	
20		WP0371016SD		WASHER 3.7X8X1						1	

HOW TO MAKE USE OF THIS PARTS LIST

1.As to "#01" and "#02" refer to the "Note" given at the bottom of the respective pages.

2.Codes on the "Qty" column

- Each numeral indicates the number of parts required.
- "0.1" and "2.5" indicate the length (in meters) of the respective parts.

3.Parentheses mean that the corresponding part is a subpart that constructs an assembly part.

4.Dotted lines on the Figures indicate assembly parts.

1. リストページの# 0 1、# 0 2の印は、ページ下の"注記"の説明を参照下さい。
2. 数量欄の数字は、個数を表し、0. 1、2. 5等の数値は、長さ（単位メートル）を表します。
3. 数量欄の（ ）は、組部品を構成している子部品であることを意味します。
4. イラストページの-----枠は、組構成であることを意味します。

NUMERICAL INDEX OF PARTS

PART NO	PAGE	REF NO.	PART NO	PAGE	REF NO.	PART NO	PAGE	REF NO.
11597101	2	10	12123055	14	23	SS7060310SP	16	26
11883501	16	22	12123055	16	30	SS7060310SP	18	7
11883501	18	3	12123055	18	12	SS7091110TP	12	16
11926201	2	14	12149209	6	17	SS7091110TP	14	30
11926417	16	28	12149209	18	10	SS7091110TP	16	37
11926417	18	9	12176103	4	7	SS7091110TP	18	19
11926508	6	8	12176103	6	10	WP0371016SD	12	17
11927506	10	9	12176103	14	22	WP0371016SD	14	31
11927902	12	14	12176103	16	29	WP0371016SD	16	38
11927902	14	21	12176103	18	11	WP0371016SD	18	20
11930500	2	13	12303103	4	11			
11930500	10	10	12303103	6	14			
11931003	16	25	12303103	14	26			
11931003	18	6	12303103	16	33			
11931805	12	13	12303103	18	15			
11931805	14	20	12330304	8	3			
11931805	16	27	B1657814B0E	2	11			
11931805	18	8	B1657814B0F	16	23			
11932357	2	12	B1657814B0F	18	4			
11932563	16	24	MAM0750J0A0	10	11			
11932563	18	5	MAQ141000A0	12	15			
11932654	6	7	MAQ141000A0	14	29			
11934155	10	8	MAQ141000A0	16	36			
11934551	12	11	MAQ141000A0	18	18			
11934551	14	18	MC033600900	14	28			
11936705	2	9	MC033600900	16	35			
11936911	16	21	MC033600900	18	17			
11936911	18	2	MDC270B1400	14	27			
11937901	10	7	MDC270B1400	16	34			
11939204	12	10	MDC270B1400	18	16			
11939204	14	17	R4205J0DE00	2	1			
11942604	6	16	R4205J0EE00	2	8			
11942653	6	15	R4305J0DE00	2	15			
11991601	4	9	R4305J0DE00	4	1			
11991601	6	12	R4305J0DE00	8	1			
11991601	14	24	R4305J0DE00	10	1			
11991601	16	31	R4305J0DE00	12	1			
11991601	18	13	R4305J0FE00	6	1			
11991809	4	8	R4305J0FE00	14	16			
11991809	6	11	R4306J0EE00	6	9			
11991809	14	25	R4405J0DE00	16	1			
11991809	16	32	R4405J0EE00	16	20			
11991809	18	14	R4406J0EE00	18	1			
12123055	4	10	SS7060310SP	12	12			
12123055	6	13	SS7060310SP	14	19			