

MODEL : MOR-3900

List No : 1105-03

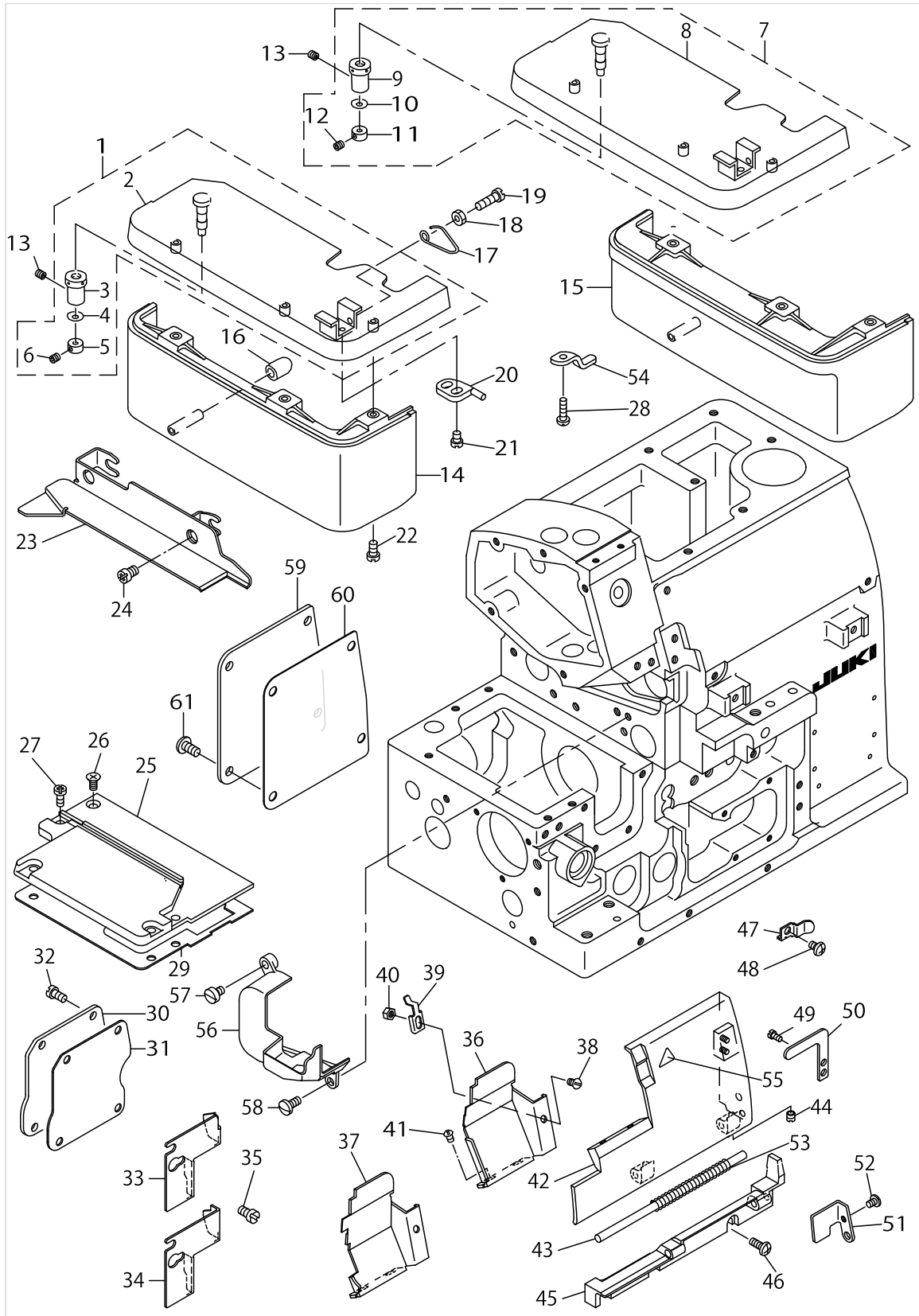
PARTS LIST

Published:07/01/2017

CONTENTS

FRAME COMPONENTS(1).....	1
FRAME COMPONENTS(2).....	5
CRANKSHAFT COMPONENTS	9
NEEDLE DRIVING SHAFT COMPONENTS	13
FEED MECHANISM COMPONENTS(1)	17
FEED MECHANISM COMPONENTS(2)	21
UPPER FEED MECHANISM COMPONENTS(1).....	25
UPPER FEED MECHANISM COMPONENTS(2).....	29
UPPER & LOWER LOOPER COMPONENTS	33
CHAIN LOOPER COMPONENTS(FOR MOR-3916,3916E).....	39
PRESSER FOOT COMPONENTS(1)	43
PRESSER FOOT COMPONENTS(2)	45
THREAD TENSION COMPONENTS	47
LOWER KNIFE COMPONENTS.....	51
UPPER KNIFE COMPONENTS	55
NEEDLE COOLING MECHANISM COMPONENTS.....	57
LUBRICATION MECHANISM COMPONENTS.....	59
SEMI-SUNKEN TYPE TABLE COMPONENTS.....	63
FULLY-SUNKEN TYPE TABLE COMPONENTS.....	65
STAND COMPONENTS	67
THREAD STAND COMPONENTS(FOR MOR-3904,3904E,3914,3914E)	69
THREAD STAND COMPONENTS(FOR MOR-3916,3916E).....	73
SPECIAL ORDER PARTS COMPONENTS.....	77
LIST FOR INFORMATION OF CHANGE.....	79
HOW TO MAKE USE OF THIS PARTS LIST	80

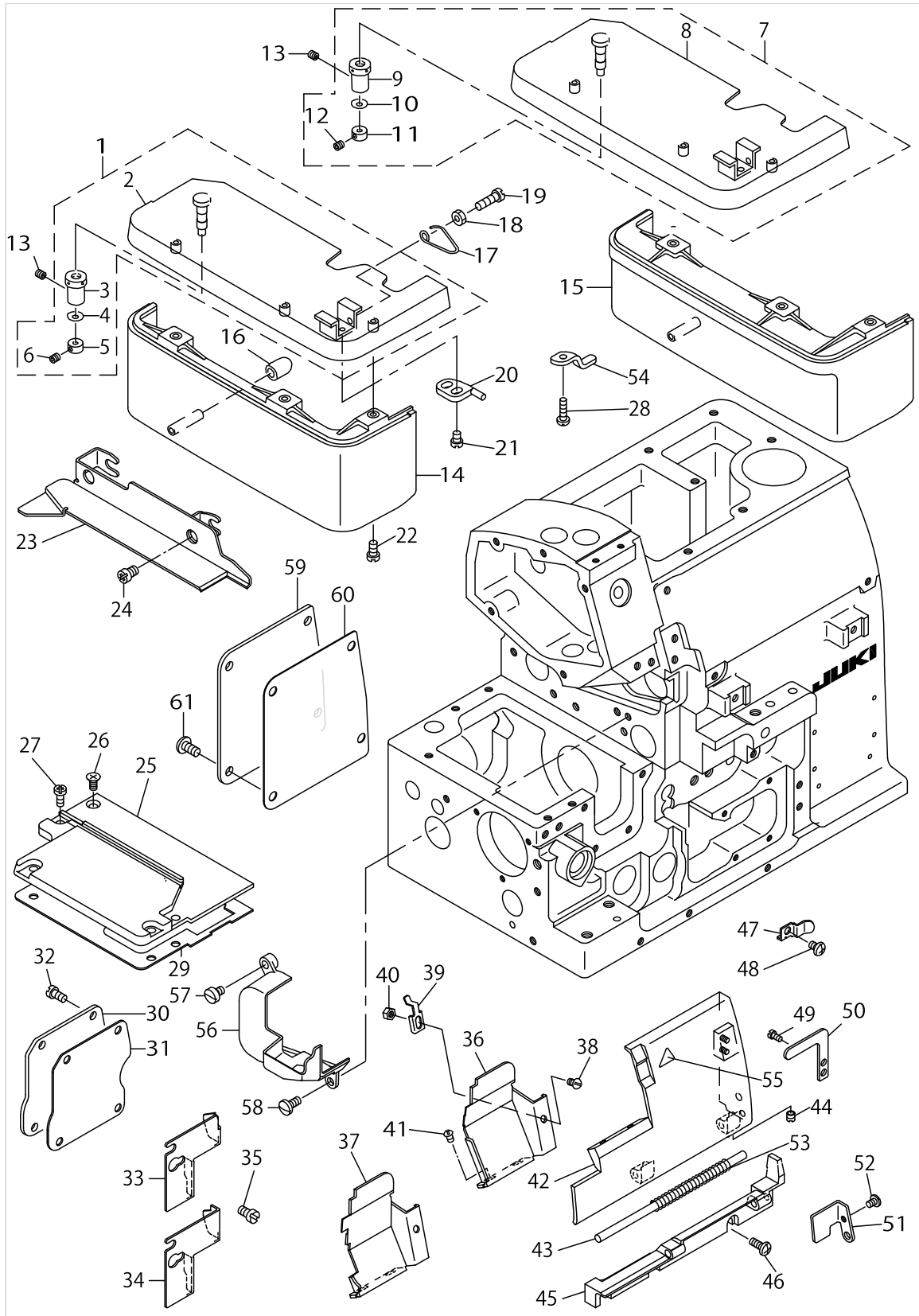
FRAME COMPONENTS(1)



FRAME COMPONENTS(1)

No.	Supply Code	Parts No.	Replacement	Parts name	Remarks	Choice	Step	Level	Cons	Qty	Rep. QTY
1	R	12105359	13103650	CLOTH PLATE ASM.						1	1.00
2	R	12102752	13103650	CLOTH PLATE ASM.				*		1	1.00
3		11501301		ECCENTRIC BUSHING				*		1	
4		WZ0420350KP		DISC SPRING				*		1	
5	R	CS0400671SD	13172903	THRUST HOLDER				*		1	1.00
6		SM8040302TP		SETSCREW				*		1	
7		12105458		CLOTH PLATE ASM.	FOR JHK(-MOR-3916)					1	
8	R	12104550	12105458	CLOTH PLATE ASM.				*		1	1.00
9		11501301		ECCENTRIC BUSHING				*		1	
10		WZ0420350KP		DISC SPRING				*		1	
11	R	CS0400671SD	13172903	THRUST HOLDER				*		1	1.00
12		SM8040302TP		SETSCREW				*		1	
13		SS8110410TP		SCREW 11/64-40 L= 3.5						1	
14	D	11949005		CLOTH BASE COVER						1	
15	D	11949104		CLOTH BASE COVER	FOR JHK(-MOR-3916)					1	
16	R	11802204	13104302	RUBBER PLUG						1	1.00
17		11802402		SPRING						1	
18		NS6110420SP		NUT 11/64-40						1	
19		SS6111440SP		SCREW 11/64-40 L=14.0						1	
20	R	12103305	13101704	STOPPER						1	1.00
21		SS7110710SP		SCREW 11/64-40 L=7						2	
22		SS4091015SP		SCREW 9/64-40 L=10						2	
23		12300356		CLOTH PLATE SIDE COVER ASM.						1	
24		SS4120615SP		SCREW 3/16-28 L=6						2	
25		12250510		FEED MECHANISM COVER						1	
26		SM1040801SC		SCREW M4X0.7 L=8						1	
27		SM4040855SP		SCREW						4	
28		SS7091410SP		SCREW 9/64-40 L=13.5						1	
29		12250601		GASKET						1	
30	D	11951100		COVER						1	
31		11804309		GASKET						1	
32		SM4040855SP		SCREW						4	
33	D	12102307		CHIP GUARD COVER, LEFT	FOR MOR--3904,MOR-3914					1	
34	D	12102406		CHIP GUARD COVER, LEFT	FOR MOR-3916					1	
35		SS7110510SP		SCREW 11/64-40 L=5						2	
36	R	12147203	13104104	CLOTH WASTE COVER	FOR MOR--3904,MOR-3914					1	1.00
37	R	12147807	13104203	CLOTH WASTE COVER	FOR MOR-3916					1	1.00
38		SS2090520SL		SCREW 9/64-40 L=5						1	
39	R	12101515	13102405	CROTH WASTE COVER STOPPER						1	1.00
40		NS6090310SN		NUT 9/64-40						1	
41		SS3090610SP		SCREW 9/64-40 L=6						2	
42	R	12101309	13100904	LOOPER COVER						1	1.00
43	D	11803004		LOOPER COVER HINGE PIN						1	
44		SS8110410TP		SCREW 11/64-40 L= 3.5						1	
45	R	12101200	13100805	LOOPER COVER BRACKET						1	1.00

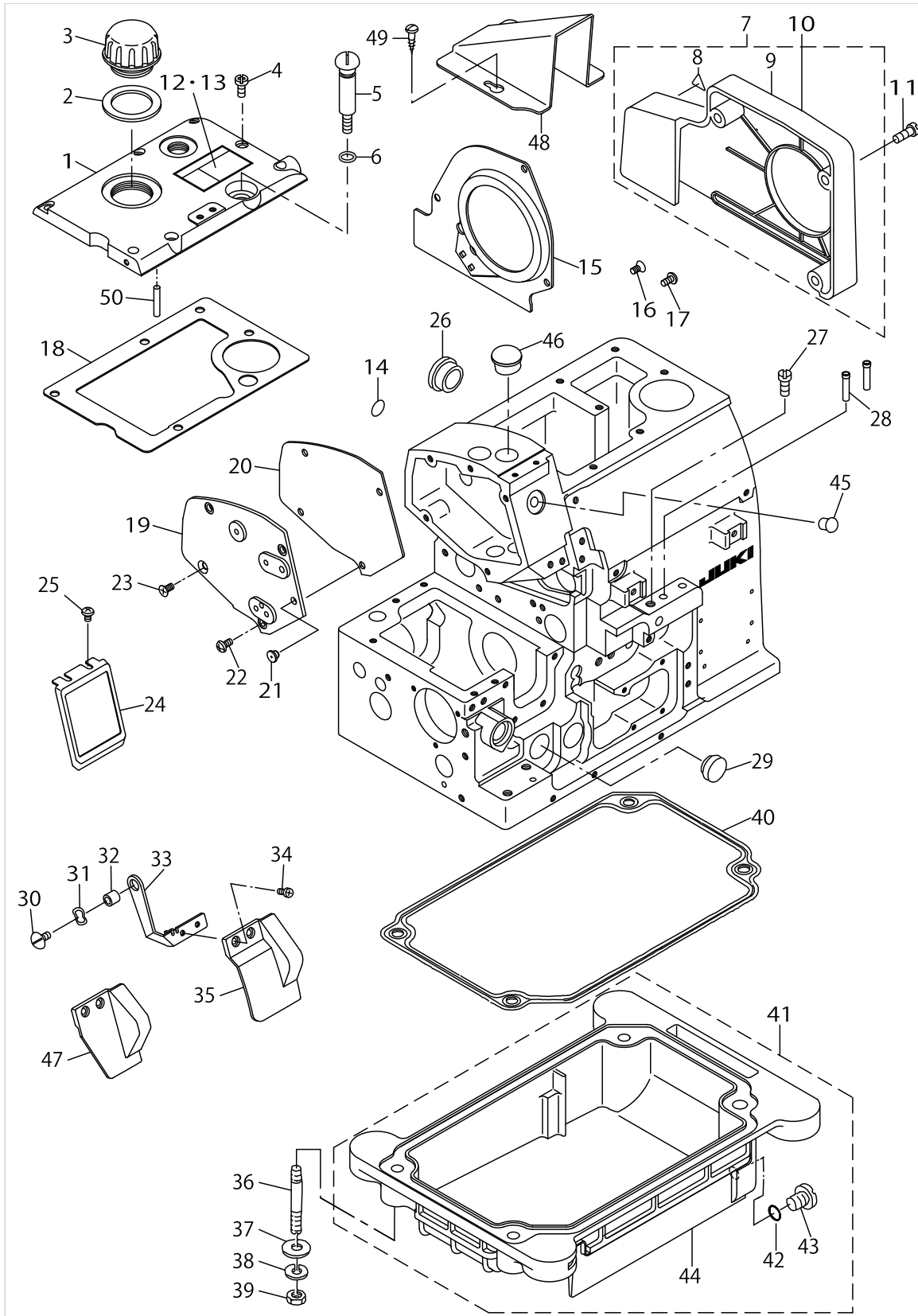
FRAME COMPONENTS(1)



FRAME COMPONENTS(1)

No.	Supply Code	Parts No.	Replacement	Parts name	Remarks	Choice	Step	Level	Cons	Qty	Rep. QTY
46		SM4041055SP		SCREW						3	
47	R	12103404	13101308	LOOPER COVER PRESSER SPRING						1	1.00
48		SM4040655SP		SCREW M4 L=6						1	
49		SS7090530SP		SCREW 9/64-40 L= 4.5						1	
50		12103206		LOOPER COVER PRESSER PLATE						1	
51	R	12101408	13101001	GUIDE PLATE						1	1.00
52		SS7090610SP		SCREW 9/64-40 L=6						1	
53	R	B1140716000	13101209	SPRING						1	1.00
54	D	12103511		CROTH PLATE SUPPORTER						1	
55		CM300200001		ATTENTION SEAL	FOR JE					1	
56	R	12300505	31200504	UPPER FEED COVER						1	1.00
57		SS6110610TP		SCREW 11/64-40 L=6						1	
58	R	SS7110910SP	SS7110910TP	SCREW 11/64-40 L=8.5						1	1.00
59		12300109		REAR PLATE						1	
60		12300208		PLANE COVER PACKING						1	
61		SM4051055SP		SCREW						4	

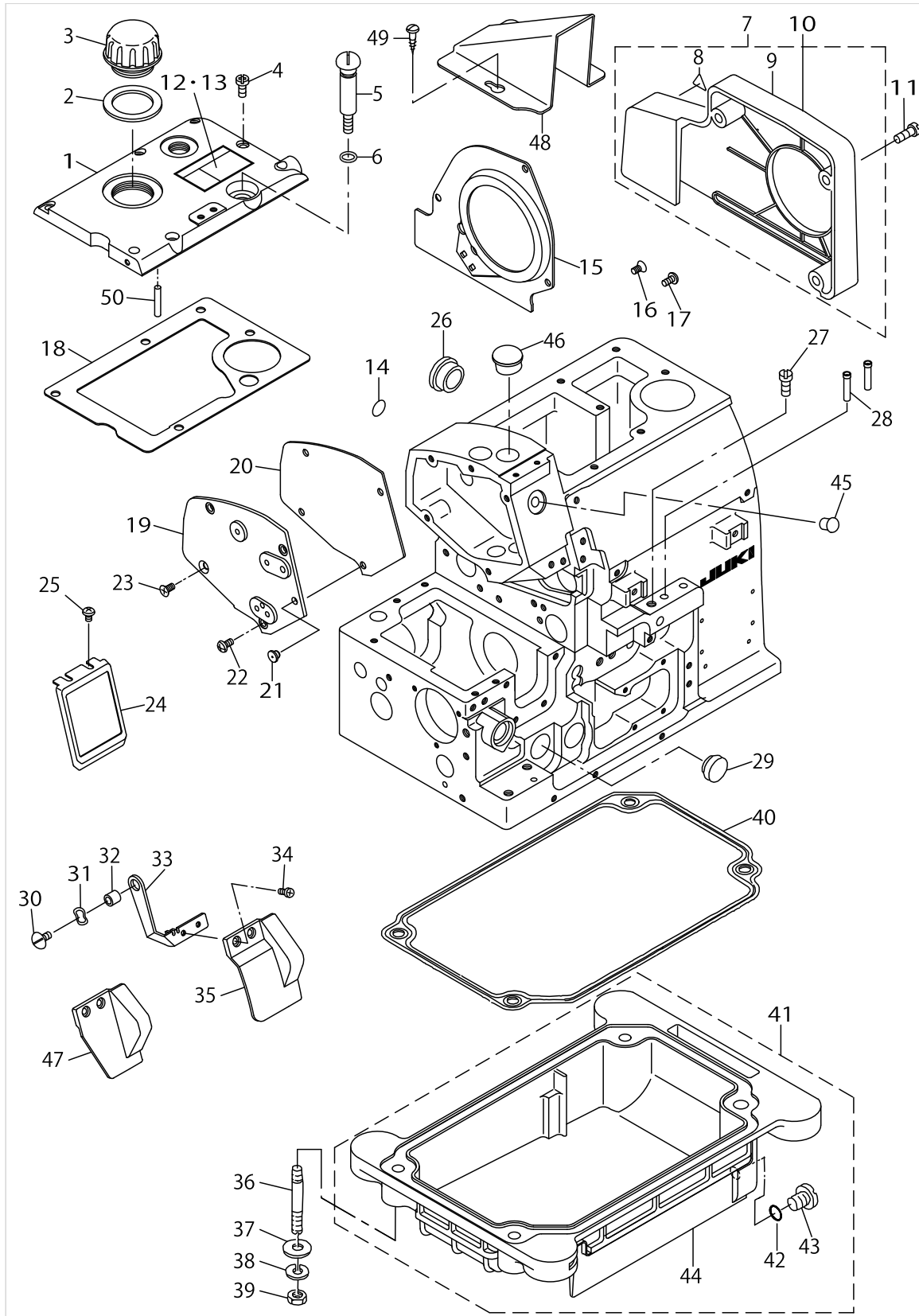
FRAME COMPONENTS(2)



FRAME COMPONENTS(2)

No.	Supply Code	Parts No.	Replacement	Parts name	Remarks	Choice	Step	Level	Cons	Qty	Rep. QTY
1	D	12100418		UPPER COVER						1	
2	D	11500808		GASKET						1	
3	D	12100608		OIL CAP						1	
4		SM4051255SP		SCREW.,M5 L=12.						6	
5	D	12100806		OIL DRAIN SCREW						1	
6		RO078190100		RUBBER RING						1	
7	D	12101952		BELT COVER ASM.	FOR JAPAN					1	
8		CM3002000A1		CAUTION LABEL(16)	FOR JAPAN			*		1	
9	R	12101903	12101952	BELT COVER	FOR JAPAN			*		1	1.00
10	R	12101903	12101952	BELT COVER	FOR EXPORT					1	1.00
11		SS4151215SP		SCREW15/64-28L=12						3	
12		CM300200101		SAFETY LABEL, 1(SMALL).	FOR JAPAN					1	
13		CM3002001A1		SAFETY LABEL.,3 (SMALL).	FOR EXPO- RT(EXCEPT JE)					1	
14	R	10004109	22901805	GROUND MARK						1	1.00
15		12101804		COOLING FAN PLATE						1	
16		SM1040801SC		SCREW M4X0.7 L=8						1	
17		SM4040855SP		SCREW						2	
18	D	12100517		UPPER COVER GASKET						1	
19	D	12250205		SIDE COVER						1	
20	D	12100301		SIDE COVER GASKET						1	
21		12258000		BUSH						1	
22		SM4040855SP		SCREW						3	
23		SM1040801SC		SCREW M4X0.7 L=8						1	
24		12300653		BRAND LABEL ASM.						1	
25		SM4040601SC		SCREW M4X0.7 L=6						2	
26		TA2050805R0		RUBBER PLUG						1	
27		SS9151210TP		SCREW 15/64-28 L=11.8						1	
28	R	11805207	13102900	THREAD GUIDE, LARGE						2	1.00
29		TA1871602R0		RUBBER PLUG	FOR MOR-- 3904,MOR-3914					1	
30		SS5110710SP		SCREW 11/64-40 L=7						1	
31		WZ0850302K0		WAVED WASHER 8.5X12.5X0.3						1	
32		B3013141H0A		WASHER						1	
33	R	12102000	12342002	SAFETY PLATE BRACKET						1	1.00
34		SS7090611SL		SCREW 9/64-40 L=6.1						2	
35	D	12102109		SAFETY PLATE	FOR MOR-3916					1	
36		11503703		SCREW STUD						4	
37		WP0751576SD		WASHER 7.5X19X1.5						4	
38		WS0822010KP		SPRING WASHER 8.2X15X2						4	
39		NS6680410SP		NUT 9/32-28						4	
40	R	11503919	13102603	OIL RESERVOIR GASKET						1	1.00
41	R	11503885	13102553	OIL RESERVOIR ASM.						1	1.00
42		RO074240100		RUBBER RING				*		1	
43		SM0081001SD		SCREW				*		1	
44	R	11503810	13102553	OIL RESERVOIR				*		1	1.00
45		TA1250406R0		RUBBER PLUG D=12.5 L=4						1	

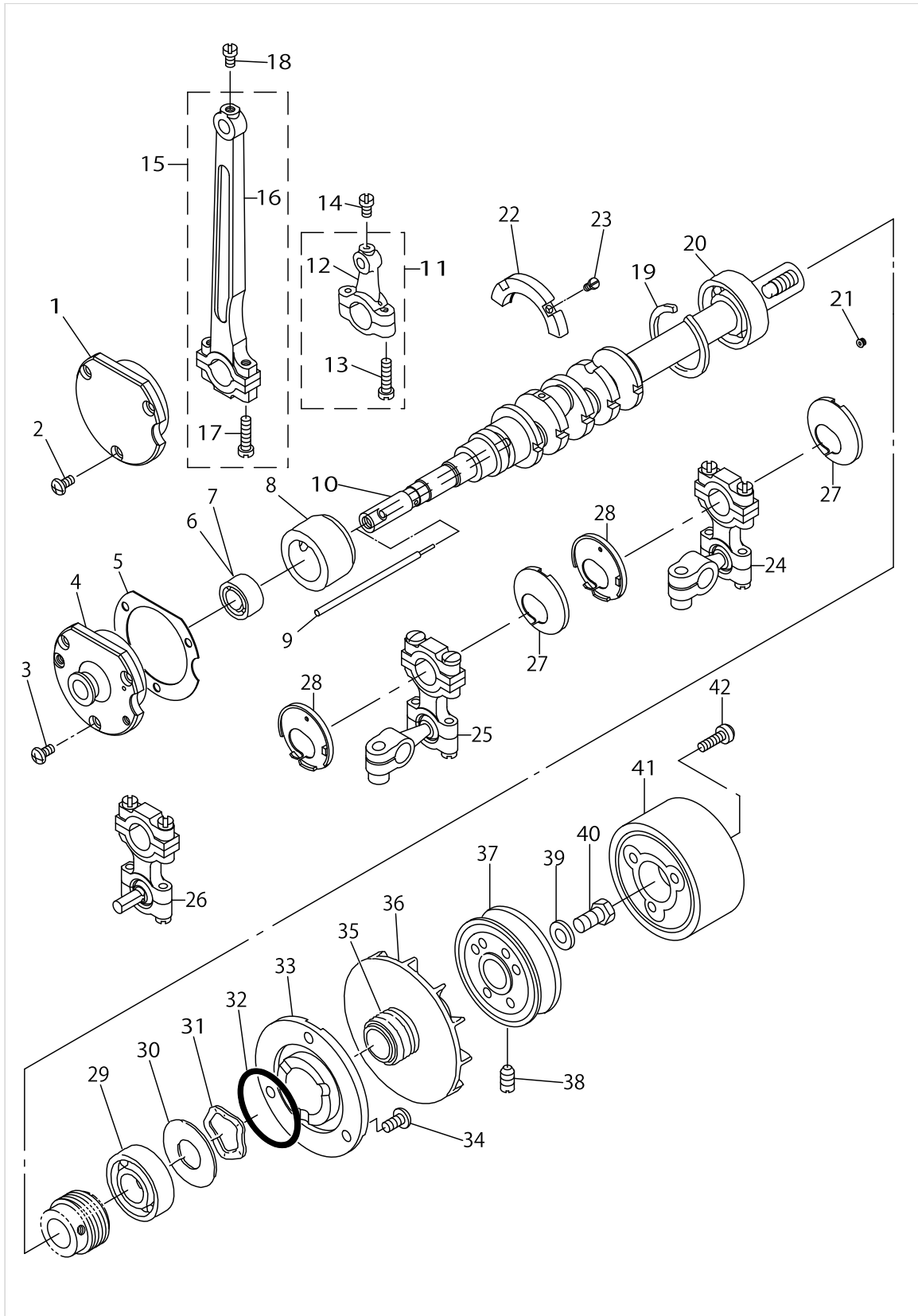
FRAME COMPONENTS(2)



FRAME COMPONENTS(2)

No.	Supply Code	Parts No.	Replacement	Parts name	Remarks	Choice	Step	Level	Cons	Qty	Rep. QTY
46		TA1701107R0		RUBBER PLUG						1	
47		12104907		SAFETY PLATE	FOR MOR-- 3904.MOR-3914					1	
48		12105201		BELT COVER	FOR JE					1	
49	R	SK3412000SC	SK3412000SE	WOOD SCREW D=4.1 L=20	FOR JE					3	1.00
50		PS0300132KH		SPRING PIN 3X13						1	

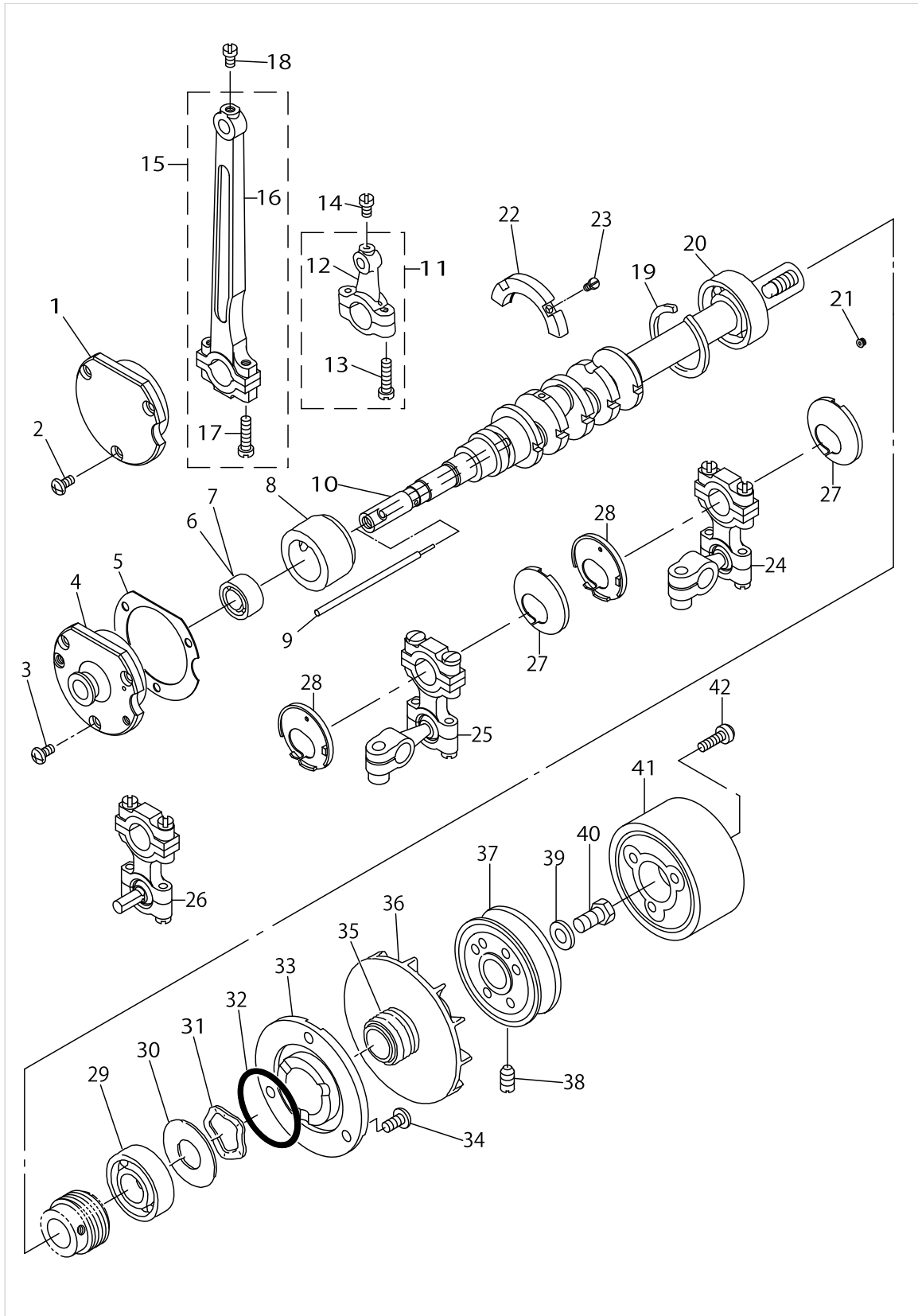
CRANKSHAFT COMPONENTS



CRANKSHAFT COMPONENTS

No.	Supply Code	Parts No.	Replacement	Parts name	Remarks	Choice	Step	Level	Cons	Qty	Rep. QTY
1	R	12108213	13108006	CRANKSHAFT BUSHING D	FOR MOR-- 3904,3904E- ,3914,3914E					1	1.00
2		SM4040855SP		SCREW	FOR MOR-- 3904,3904E- ,3914,3914E					3	
3		SM4040855SP		SCREW	FOR MOR-- 3916,3916E					3	
4	R	12108304	13108105	CRANKSHAFT BUSHING D	FOR MOR-- 3916,3916E					1	1.00
5		12108403		GASKET						1	
6	R	B1215804000	13108808	BALL BEARING D	FOR MOR-- 3904,3904E- ,3914,3914E					1	1.00
7	R	SB110000300	13108907	BALL BEARING	FOR MOR-- 3916,3916E					1	1.00
8	D	12108007		CRANKSHAFT BUSHING C						1	
9		12108106		OIL ADJUSTING BAR						1	
10	D	12303004		CRANKSHAFT						1	
11	R	12132155	13232558	KNIFE DRIVING ROD ASM.						1	1.00
12	R	12132106	13232558	KNIFE DRIVING ROD				*		1	1.00
13		SS7111810TP		SCREW 11/64-40L=18				*		2	
14		SS7110840SP		SCREW 11/64-40 L=7.8						1	
15	R	12109153	13207550	CONNECTING ROD ASM.						1	1.00
16	R	12109104	13207550	CONNECTING ROD				*		1	1.00
17		SS7111810TP		SCREW 11/64-40L=18				*		2	
18		SS7110840SP		SCREW 11/64-40 L=7.8						1	
19		B1212704000		BEARING RETAINER						1	
20	R	B1211804000	13108600	BALL BEARING B	SELECTIVE PART					1	1.00
21		SS5080212TP		SCREW 1/8-44 L=2						5	
22	D	12107900		BALANCER						1	
23		SS4080620TP		SCREW 1/8-44 L=6						2	
24		12122362		UPPER LOOPER ROD ASM.						1	
25		12123360		LOWER LOOPER ROD ASM., A	FOR MOR-- 3904,3904E- ,3914,3914E					1	
26		12120150		LOWER LOOPER ROD ASM., B	FOR MOR-- 3916,3916E					1	
27		12124509		STOPPER (R)						2	
28	D	12124400		STOPPER (L)						2	
29	R	B1211804000	13108600	BALL BEARING B	SELECTIVE PART					1	1.00
30	R	11510609	13108303	WASHER						1	1.00
31		WZ2640310KH		WAVED WASHER 26.4X33.9X3.5						1	
32		RO347350100		RUBBER RING						1	
33	R	12107702	13107800	THRUST HOLDER						1	1.00
34		SM4050855SP		SCREW						3	
35	R	12280103	13108501	OIL SHIELD						1	1.00
36	R	11811619	13108402	COOLING FAN						1	1.00
37	R	12107611	13107602	FLYWHEEL A						1	1.00
38	R	SS8151150SP	SS8151150TP	SCREW 15/64-28 L=10.5						2	1.00
39		WP0764016SP		WASHER						1	
40		SS9681610TP		SCREW 9/32-28 L=16						1	
41	R	11956505	13107701	HANDWHEEL C						1	1.00

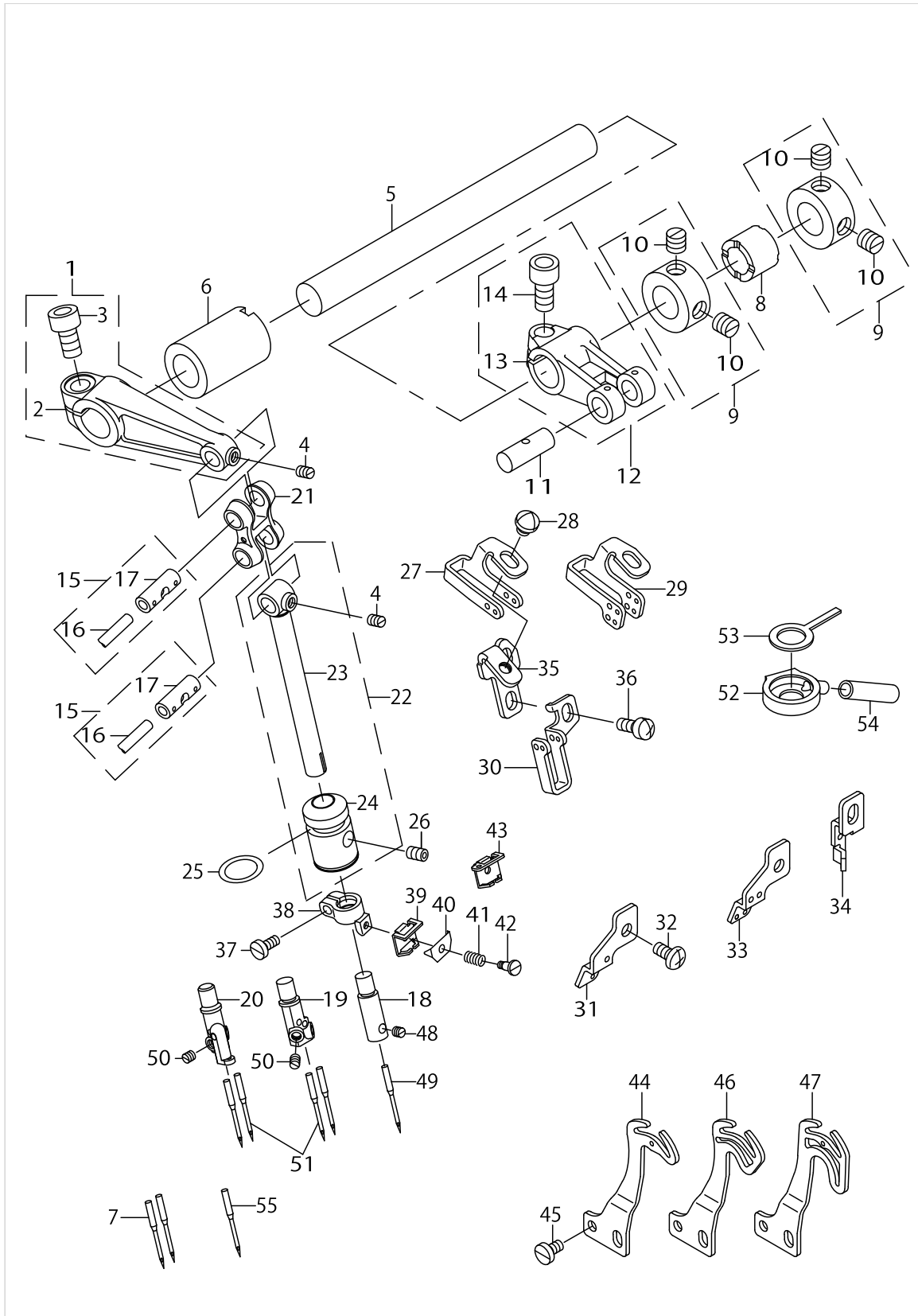
CRANKSHAFT COMPONENTS



CRANKSHAFT COMPONENTS

No.	Supply Code	Parts No.	Replacement	Parts name	Remarks	Choice	Step	Level	Cons	Qty	Rep. QTY
42	R	SS7111810SP	SS7111810TP	SCREW11/64-40L=18						3	1.00

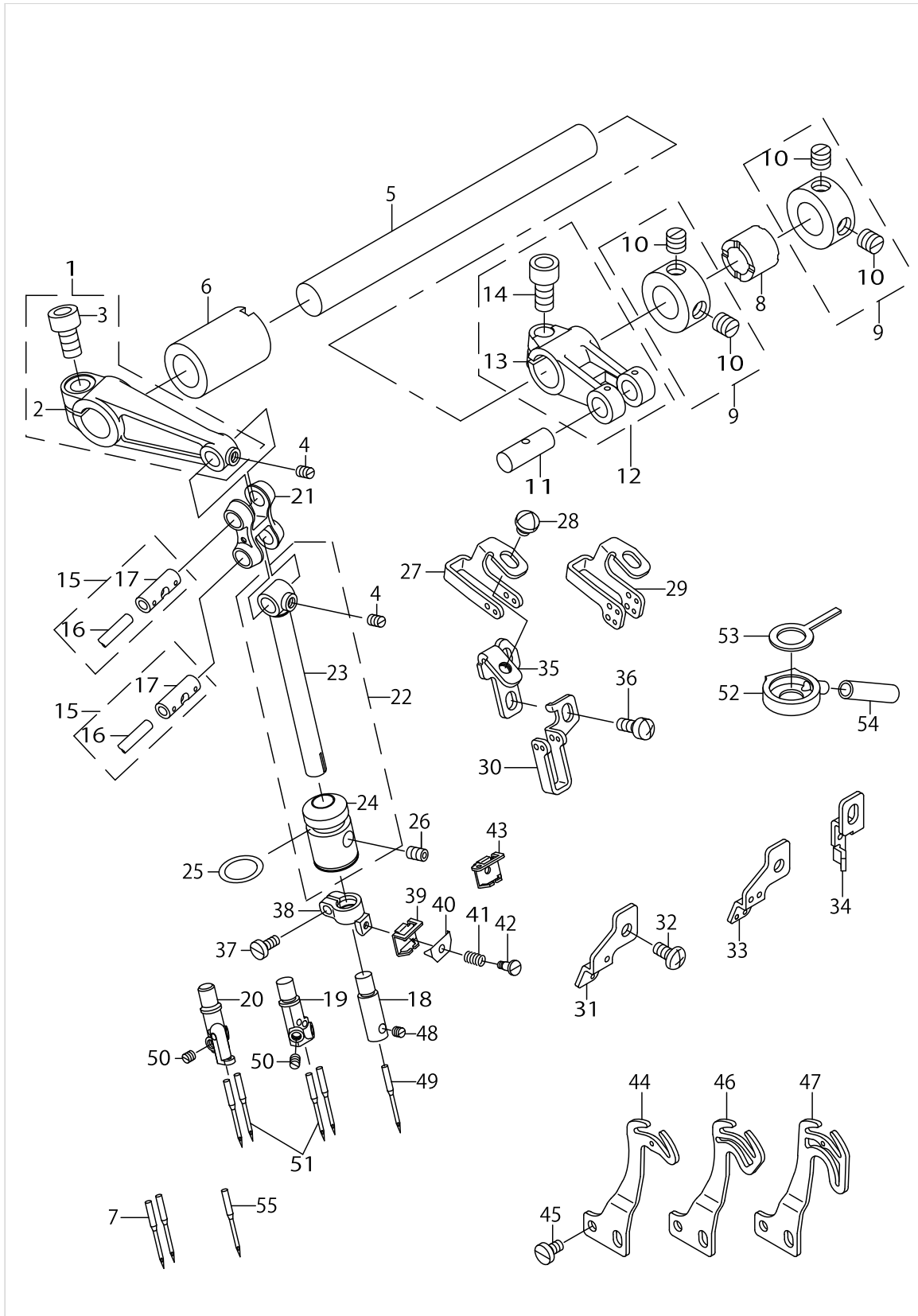
NEEDLE DRIVING SHAFT COMPONENTS



NEEDLE DRIVING SHAFT COMPONENTS

No.	Supply Code	Parts No.	Replacement	Parts name	Remarks	Choice	Step	Level	Cons	Qty	Rep. QTY
1	D	12109666		NEEDLE DRIVING ARM ASM.						1	
2	R	12109617	12109666	NEEDLE DRIVING ARM				*		1	1.00
3		SM6061402TP		SCREW M6 L=14				*		1	
4		SS8090530TP		SCREW 9/64-40 L=5.0						2	
5	R	12109302	13110606	NEEDLE DRIVING SHAFT						1	1.00
6		12252805		BUSHING, REAR						1	
7	D	MC033600750		NEEDLE B-27 NM75	FOR JE(M-OR-3914E,3916E)					2	
8	R	12109500	13110101	BUSHING, REAR						1	1.00
9		CS1201010SH		THRUST COLLAR ASM. D=12 W=10						2	
10		SS8660610TP		SCREW 1/4-40 L=6				*		4	
11		11823804		CRANK PIN C	SELECTING PART FOR FIT TOLERANCE					1	
12		12109260		FEED FORKED CRANK ASM.						1	
13	R	12109211	12109260	NEEDLE DRIVING FORKED CRANK				*		1	1.00
14		SM6061202TP		SCREW M6 L=12				*		1	
15	D	12109955		LINK PIN C ASM.	SELECTING PART FOR FIT TOLERANCE					2	
16		GQ252000000		OIL WICK				*		0.07	
17	D	12109906		LINK PIN C	SELECTING PART FOR FIT TOLERANCE			*		2	
18	R	12148607	13175005	NEEDLE CLAMP	FOR MOR--3904,3904E					1	1.00
19	D	12148706		NEEDLE CLAMP, 2-NEEDLE	FOR MOR--3914,3914E					1	
20	D	12149803		NEEDLE CLAMP, CHAIN LOOPER	FOR MOR--3916,3916E					1	
21		12252904		NEEDLE DRIVING LINK						1	
22	D	12253050		NEEDLE HOLDER ASM.						1	
23	R	12110219	12110227	NEEDLE HOLDER				*		1	1.00
24	D	12253100		NEEDLE HOLDER BUSHING				*		1	
25	D	RO108240100		RUBBER RING						1	
26		SM8040612TP		SCREW M4 L=6						1	
27	D	12111209		NEEDLE THREAD GUIDE	FOR MOR--3904,3904E--3916,3916E					1	
28		SS4110515SP		SCREW 11/64-40 L=5						1	
29		12111308		THREAD GUIDE, 2-NEEDLE	FOR MOR--3914,3914E					1	
30	D	12111407		THREAD GUIDE, CHAIN LOOPER	FOR MOR--3916,3916E					1	
31		12111803		TAKE-UP LEVER GUIDE	FOR MOR--3904,3904E--3916,3916E					1	
32		SM4040855SP		SCREW						1	
33		12111902		TAKE-UP LEVER GUIDE, 2-NEEDLE	FOR MOR--3914,3914E					1	
34	R	12112009	13111703	TAKE-UP LEVER GUIDE, CHAIN LOOP	FOR MOR--3916,3916E					1	1.00
35		12112108		NEEDLE THREAD GUIDE STAND						1	
36		SM4040855SP		SCREW						2	
37		SS6080720SP		SCREW						1	
38	R	12280608	13110259	NEEDLE CLAMP HOLDER						1	1.00

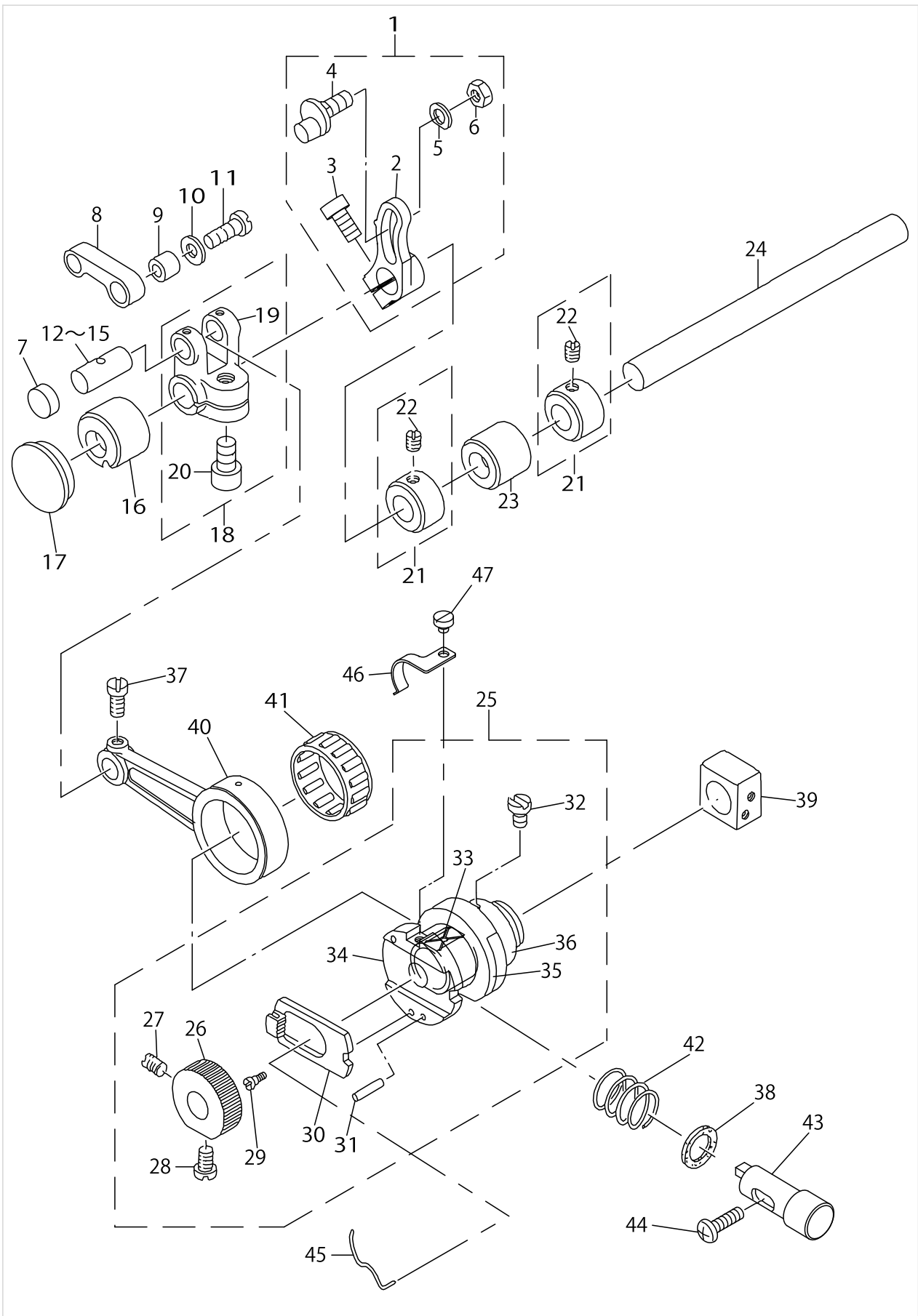
NEEDLE DRIVING SHAFT COMPONENTS



NEEDLE DRIVING SHAFT COMPONENTS

No.	Supply Code	Parts No.	Replacement	Parts name	Remarks	Choice	Step	Level	Cons	Qty	Rep. QTY
39	R	12110607	13110705	NEEDLE THREAD P-RESSER GUIDE, A	FOR MOR--3904,3904E-.3914,3914E					1	1.00
40	R	12110904	13111000	NEEDLE THREAD PRESSER PLATE						1	1.00
41	D	12110805		NEEDLE THREAD P-RESSER SPRING						1	
42		SD0280401SL		HINGE SCREW D=2.8 H=4						1	
43	R	12110706	13110804	NEEDLE THREAD P-RESSER GUIDE, B	FOR MOR--3916,3916E					1	1.00
44	R	12304002	31202609	NEEDLE THREAD BALANCE	FOR MOR--3904,3904E					1	1.00
45		SS6090670TP		SCREW 9/64-40 L=6						2	
46	R	12304101	31202708	TAKE-UP LEVER, 2-NEEDLE	FOR MOR--3914,3914E					1	1.00
47	R	12304200	31202807	TAKE-UP LEVER,CHAIN LOOPER	FOR MOR--3916,3916E					1	1.00
48		SS8080310TP		SCREW 1/8-44 L=2.8	FOR MOR--3904,3904E					1	
49		MDC270B1100		NEEDLE DCX27 #11	FOR MOR--3904,3904E					1	
50		SS8080310TP		SCREW 1/8-44 L=2.8	FOR MOR--3914,3914E-.3916,3916E					2	
51		MDC270B1100		NEEDLE DCX27 #11	FOR MOR--3914,3914E-.3916,3916E					2	
52		12303806		COVER						1	
53	D	12112306		FELT A						1	
54		BT0600402EA		OIL TUBE						.02	
55	D	MC033600750		NEEDLE B-27 NM75	FOR JE(M-OR-3904E)					1	

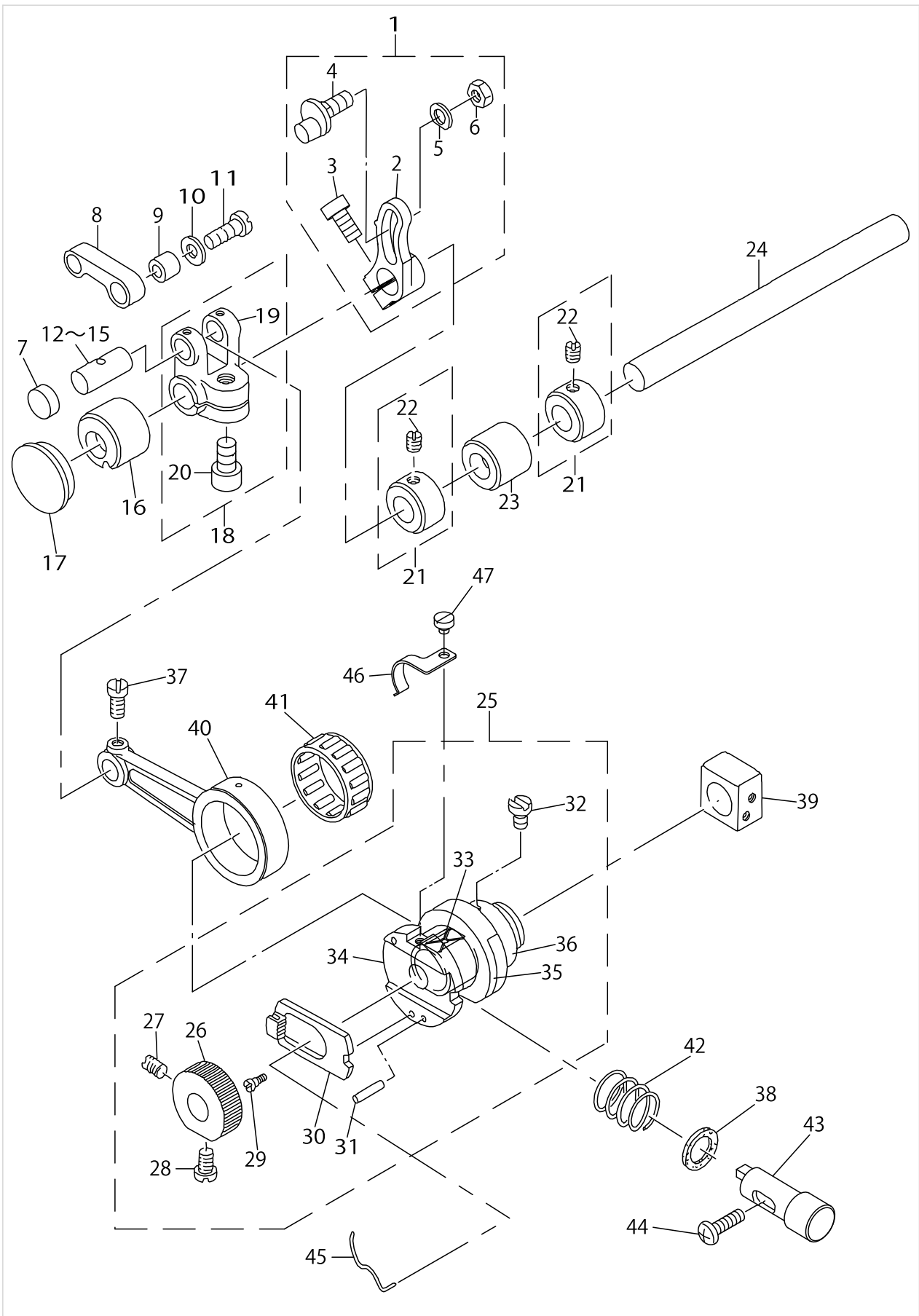
FEED MECHANISM COMPONENTS(1)



FEED MECHANISM COMPONENTS(1)

No.	Supply Code	Parts No.	Replacement	Parts name	Remarks	Choice	Step	Level	Cons	Qty	Rep. QTY
1		11824067		MAIN FEED ROCKER ASM.						1	
2	R	11530110	13119953	MAIN FEED ROCKER				*		1	1.00
3		SM6051202TP		SCREW M5X0.8 L=12				*		1	
4	R	11824018	13119706	PIN				*		1	1.00
5		11948601		WASHER B				*		1	
6		NS6620320SP		NUT 3/16-32				*		1	
7		TA1030402R0		RUBBER PLUG D=10.3 L=4						1	
8	R	11824109	13119805	MAIN FEED LINK						1	1.00
9	D	B1620804000		COLLAR						1	
10		B2107816000		WASHER						1	
11		SS6121220TP		SCREW 3/16-28 L=11.5						1	
12		11823606		CRANK PIN	SELECTING PART FOR FIT TOLERANCE					1	
13		11823705		CRANK PIN B	SELECTING PART FOR FIT TOLERANCE					1	
14		11823804		CRANK PIN C	SELECTING PART FOR FIT TOLERANCE					1	
15		11823903		CRANK PIN D	SELECTING PART FOR FIT TOLERANCE					1	
16	R	12117206	13119409	FEED ROCKER SHAFT BUSHING, FRO						1	1.00
17		TA2050416R0		RUBBER PLUG						1	
18	R	B16118040A0A	13122452	FORKED LINK ASM.						1	1.00
19	R	B1611804000A	13122403	FORKED CRANK				*		1	1.00
20		SM6061202TP		SCREW M6 L=12				*		1	
21		CS095081ASH		THRUST COLLAR ASM. D=9.53 W=8						2	
22		SS8110410TP		SCREW 11/64-40 L= 3.5				*		4	
23	R	12117305	13119508	FEED ROCKER SHAFT BUSHING, REA						1	1.00
24		12118907		FEED SHAFT						1	
25	R	12116174	13118054	FEED ECCENTRIC BODY ASM.						1	1.00
26	R	12118808	13118054	RATCHET GEAR				*		1	1.00
27		SS8110750SP		SCREW 11/64-40 L= 6.5				*		1	
28		SS6110710TP		SCREW 11/64-40 L= 6.5				*		1	
29		SD0260271SP		HINGE SCREW D= 2.60 H= 2.7				*		1	
30	R	B1604704000	13118609	RATCHET PAWL				*		1	1.00
31		PS0300132KH		SPRING PIN 3X13				*		2	
32		SS7110810SP		SCREW 11/64-40 L= 8.0				*		2	
33	R	12116307	13118302	FEED CAM BLOCK				*		1	1.00
34	R	12116406	13118054	FEED ADJUSTING CAM				*		1	1.00
35	R	12116216	13118203	FEED CAM				*		1	1.00
36	R	12116117	13118104	FEED ECCENTRIC BODY				*		1	1.00
37		SS7110910TP		SCREW 11/64-40 L= 8.5						1	
38		12118600		OIL SHEET						1	
39	D	11828704		SLIDE BLOCK						1	
40	R	12116505	13118708	CRANK ROD						1	1.00
41		12116703		NEEDLE BEARING B	SELECTING PART FOR FIT TOLERANCE					1	

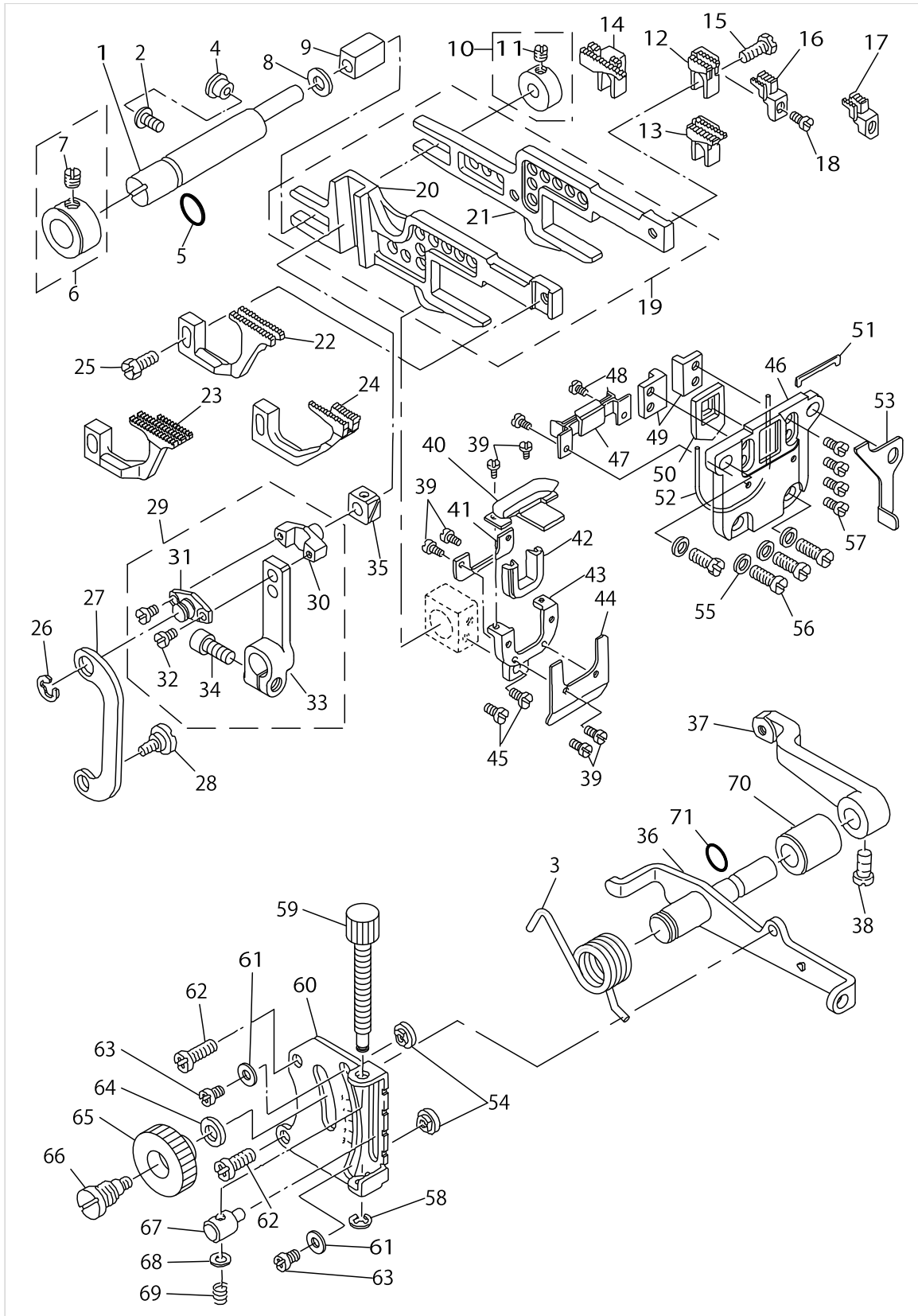
FEED MECHANISM COMPONENTS(1)



FEED MECHANISM COMPONENTS(1)

No.	Supply Code	Parts No.	Replacement	Parts name	Remarks	Choice	Step	Level	Cons	Qty	Rep. QTY
42	R	B1652704000	31256803	SPRING						1	1.00
43	D	12118501		PUSH BUTTON STUD						1	
44		SM4041401SC		SCREW M4X0.7 L=14						1	
45	R	B1606704000	13122502	RATCHET PAWL SPRING						1	1.00
46	R	12117107	13119300	RATCHET GEAR SPRING						1	1.00
47		SS6080320SP		SCREW 1/8-44 L=2.5						1	

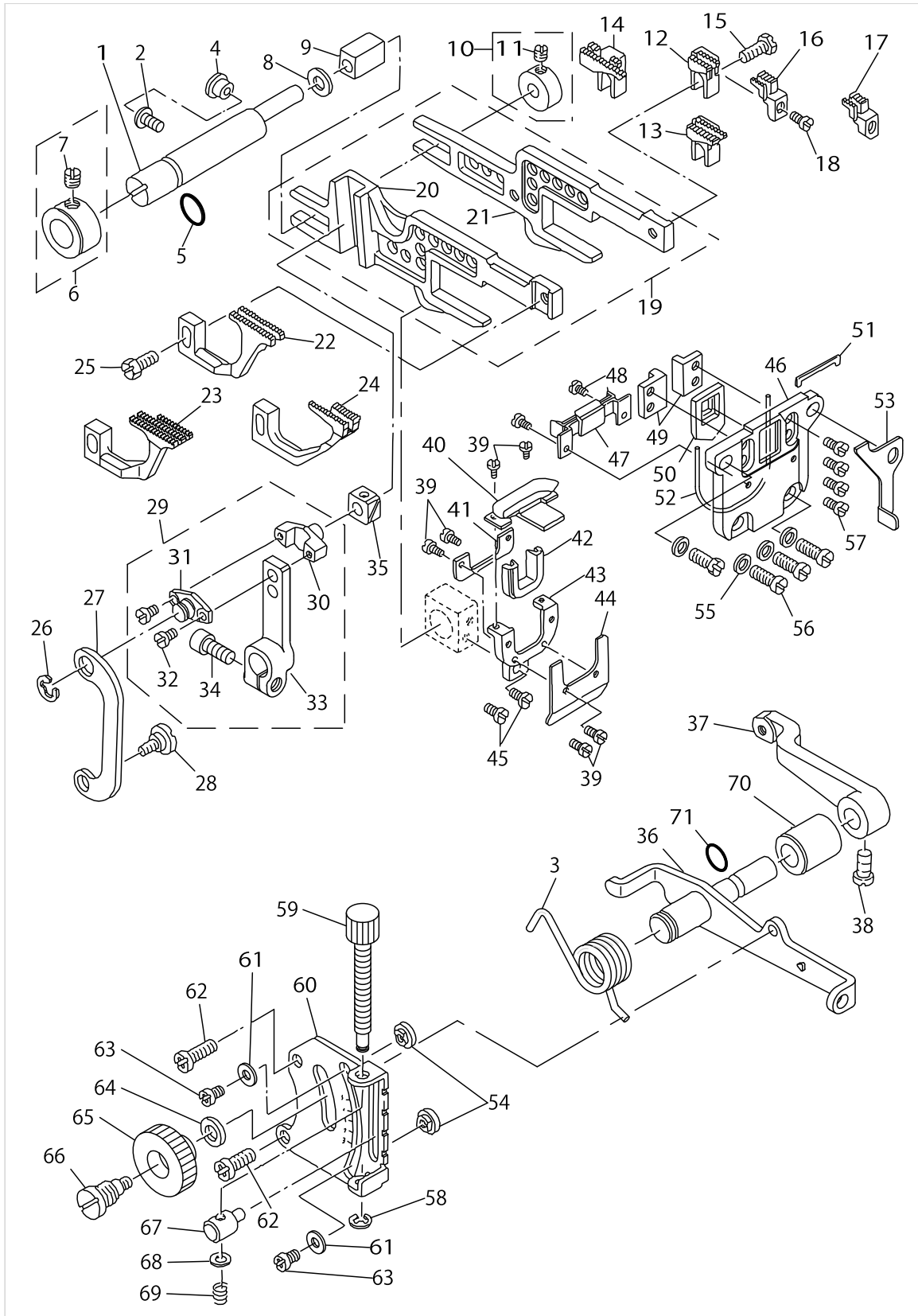
FEED MECHANISM COMPONENTS(2)



FEED MECHANISM COMPONENTS(2)

No.	Supply Code	Parts No.	Replacement	Parts name	Remarks	Choice	Step	Level	Cons	Qty	Rep. QTY
1	R	11824505	13120902	FEED BAR SHAFT						1	1.00
2		SM4040855SP		SCREW						1	
3		11991502		SPRING						1	
4		TA0800504R0		PLUG D=8 L=4.5						1	
5		RO078190100		RUBBER RING						1	
6		11824653		THRUST COLLAR ASM.						1	
7		SS8660330SP		SCREW 1/4-40 L= 3.0				*		1	
8		11529914		WASHER						1	
9	R	B1624704000	13120803	SLIDE BLOCK						1	1.00
10	D	11828050		COLLAR ASM.						1	
11		SS8110410TP		SCREW 11/64-40 L= 3.5				*		1	
12	R	11882107	13191606	MAIN FEED DOG	FOR MOR-- 3904,3904E					1	1.00
13	R	11949807	13192000	MAIN FEED DOG	FOR MOR-- 3914,3914E					1	1.00
14	R	11882800	13192406	MAIN FEED DOG	FOR MOR-- 3916,3916E					1	1.00
15		SS9111050SP		SCREW 11/64-40 L=9.5						1	
16	R	11887106	13191309	AUXILIARY FEED DOG	FOR MOR-- 3904,3904E- ,3914,3914E					1	1.00
17	R	11887403	13191408	AUXILIARY FEED DOG	FOR MOR-- 3916,3916E					1	1.00
18	R	SS4080610SP	SS4080620TP	SCREW 1/8-44 L=6.4						1	1.00
19	D	12117461		MAIN FEED BAR ASM.						1	
20	R	12117511	12117461	DIFFERENTIAL FEED BAR				*		1	1.00
21	R	12117412	12117461	MAIN FEED BAR				*		1	1.00
22	R	B165780400T	13192802	DIFFERENTIAL FEED DOG	FOR MOR-- 3904,3904E					1	1.00
23	R	11949906	13193206	DIFFERENTIAL FEED DOG	FOR MOR-- 3914,3914E					1	1.00
24	R	12172805	13193602	DIFFERENTIAL FEED DOG	FOR MOR-- 3916,3916E					1	1.00
25		SS9111010SP		SCREW 11/64-40 L=9.5						1	
26		RE0500000K0		E-RING						1	
27		11826310		ADJUSTING LINK						1	
28		SD0720271SP		HINGE SCREW D=7,2 H=2,7						1	
29	R	11828563	13218052	DIFFERENTIAL FEED ROCKER ASM.						1	1.00
30		11825304		PIN				*		1	
31	R	11826401	13218052	PIN COVER				*		1	1.00
32		SS6080410SP		SCREW 1/8-44 L=4				*		2	
33	R	11828514	13218052	DIFFERENTIAL FEED ROCKER ASM.				*		1	1.00
34		SM6051202TP		SCREW M5X0.8 L=12				*		1	
35		B1414555000		SLIDE BLOCK						1	
36	R	11825858	12283255	ROCKER SHAFT ASM.						1	1.00
37	R	11828605	13121900	DIFFERENTIAL FEED ROCKER						1	1.00
38		SS6661110SP		SCREW 1/4-40 L=11						1	
39		SS7060310SP		SCREW 3/32-56 L=3						6	
40		12119756		RUBBER PLATE ASM.						1	
41	D	12119806		RUBBER PREESSER PLATE						1	
42		12119608		OIL SHIELD RUBBER						1	

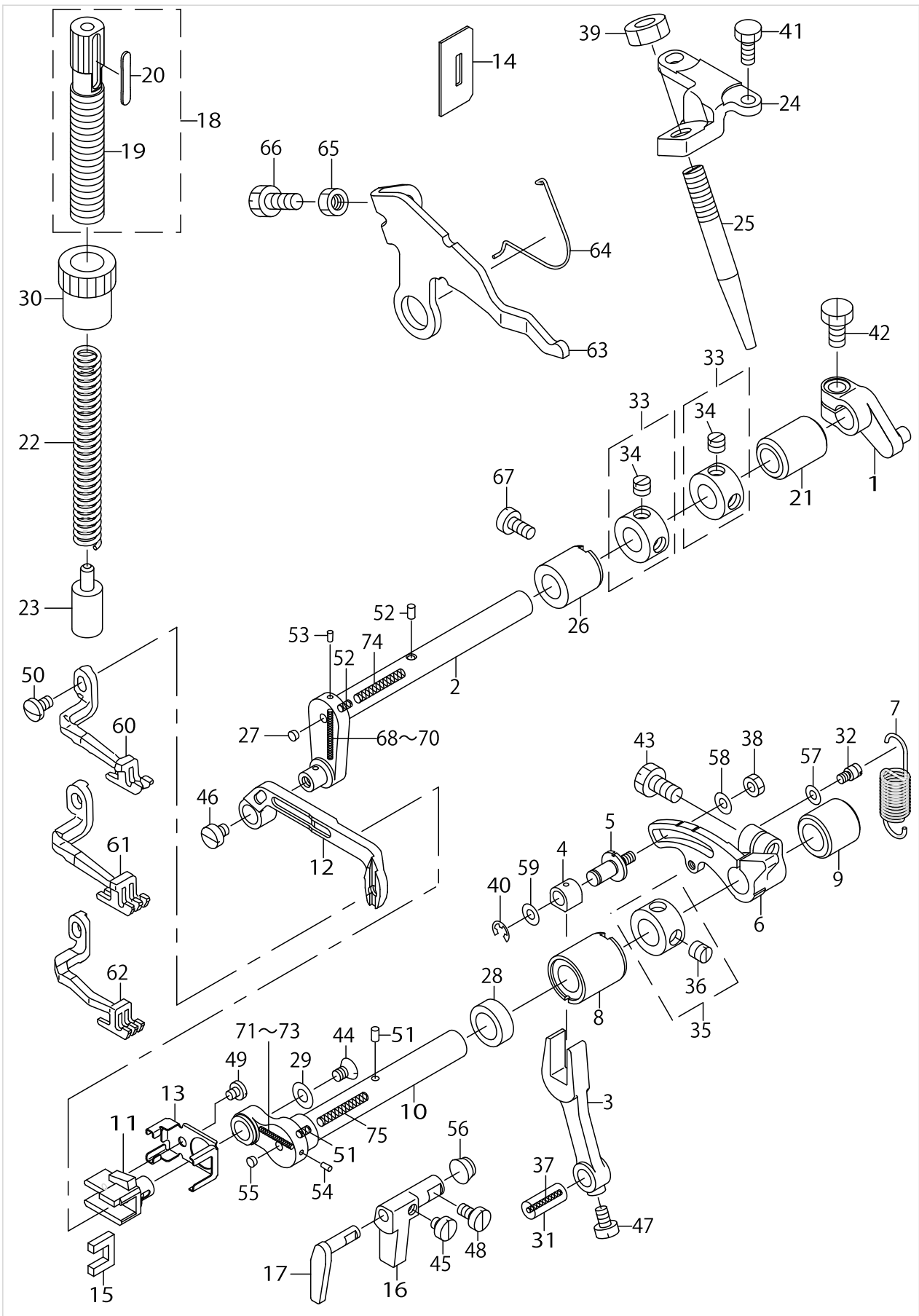
FEED MECHANISM COMPONENTS(2)



FEED MECHANISM COMPONENTS(2)

No.	Supply Code	Parts No.	Replacement	Parts name	Remarks	Choice	Step	Level	Cons	Qty	Rep. QTY
43	D	12119905		RUBBER COVER						1	
44		12120002		RUBBERBASEPLATE						1	
45		SS7090620TP		SCREW 9/64-40 L=6.1						2	
46	D	12119400		RUBBER CASE						1	
47		11827607		OIL SHIELD RUBBER,LOWER						1	
48		SS7060510SP		SCREW 3/32-56 L=4.8						2	
49	D	11824703		FEED BAR SUPPORT						2	
50		12119509		RUBBER						1	
51	D	11827904		RUBBER						1	
52	D	RO480120100		RUBBER RING						1	
53		11828308		SUPPORT THROAT PLATE						1	
54		11529005		STOPPER						2	
55		WP0480856SP		WASHER 4.8X8.4X0.8						4	
56		SM4041055SP		SCREW						4	
57	R	SS6090620SP	SS6090620TP	SCREW 9/64-40 L=6						4	1.00
58		RE0300000K0		E-RING 3						1	
59		11826104		DIFFERENTIAL FEED SCREW						1	
60	D	11825908		DIFFERENTIAL FEED GRADUATION						1	
61		WP0371016SD		WASHER 3.7X8X1						2	
62		SL4051231SC		SCREW M5 L=12						2	
63		SS4090515SP		SCREW 9/64-40 L=5						2	
64		WP0621016SD		WASHER 6.2X13X1						1	
65		B1647704000A		DIFFERENTIAL FEED LOCK NUT						1	
66		B1646704000A		DIFFERENTIAL FEED HINGE SCREW						1	
67		11826005		DIFFERENTIAL FEED BLOCK						1	
68		WP0460556SD		WASHER 4.6X7.5X0.5						1	
69		11826203		SPRING						1	
70		12118709		ROCKER SHAFT METAL						1	
71		RO060150100		RUBBER RING						1	

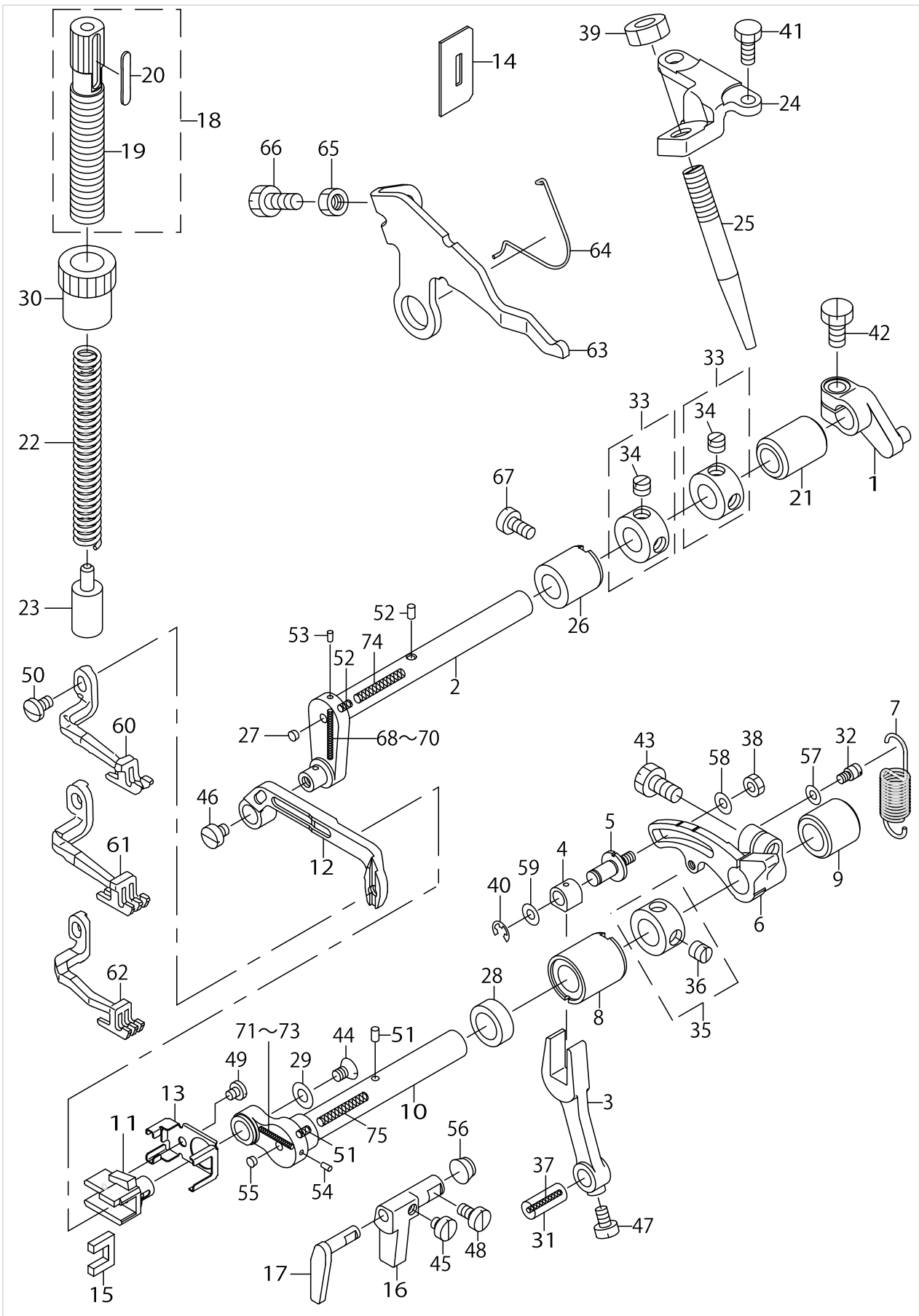
UPPER FEED MECHANISM COMPONENTS(1)



UPPER FEED MECHANISM COMPONENTS(1)

No.	Supply Code	Parts No.	Replacement	Parts name	Remarks	Choice	Step	Level	Cons	Qty	Rep. QTY
1	R	12309100	31208507	HORIZONTAL ARM C						1	1.00
2	D	12309209		HORIZONTAL SHAFT						1	
3	R	12309308	31208705	VERTICAL ROD						1	1.00
4	R	12309407	31208804	VERTICAL SLIDE BLOCK						1	1.00
5	R	12309506	31208903	VERTICAL ADJUST PIN						1	1.00
6		12309605		ADJUST ARM						1	
7		12309704		ADJUST ARM SPRING						1	
8	R	12309803	13277405	SHAFT METAL(FRONT)						1	1.00
9		12309902		VERTICAL SHAFT REAR METAL						1	
10		12310009		SHAFT						1	
11	R	12310108	13276308	UPPER FEED SLIDE BLOCK						1	1.00
12		12310207		UPPER FEED BAR						1	
13		12310306		OIL THROWER RUBBER PRESSER						1	
14		12306007		LIFTER RUBBER						1	
15		12310504		FEED BAR FELT						1	
16	R	12310603	13276407	GUIDE A						1	1.00
17		12310702		GUIDE B						1	
18		12310850		ADJUST SCREW ASM.						1	
19		12310801		ADJUST SCREW				*		1	
20	R	12310900	12310850	ADJUST SCREW PLATE				*		1	1.00
21		12308409		METAL, REAR						1	
22		12311007		UPPER PRESSER SPRING						1	
23		12311106		UPPER PRESSER SLIDE BLOCK						1	
24		12312203		SHAFT SCREW BACE						1	
25	R	12312302	31211402	SHAFT SCREW						1	1.00
26		12308300		METAL,FRONT						1	
27		TA0340201R0		PLUG D=3.4X3.9 L=S						1	
28		11566809		OIL SEAL						1	
29		11913407		SLIDE BLOCK WASHER						1	
30		11914405		NUT						1	
31		B1612804C00		CRANK PIN C	SELECTIVE PART					1	
32	R	B2024771000	40009196	SUSPENSION SCREW						1	1.00
33		CS100101ESH		THRUST COLLAR ASM.						2	
34		SS8660530TP		SCREW 1/4-40 L= 4.5				*		2	
35		CS111101HSH		THRUST COLLAR ASM.						1	
36		SS8660330SP		SCREW 1/4-40 L= 3.0				*		1	
37		CQ202000000		OIL WICK						.08	
38		NM6040000SN		NUT M4						1	
39		NM6080011SF		NUT M8						1	
40		RE0400000K0		E-RING 4						1	
41		SM9051203CP		SCREW M5 L=12						2	
42		SM9061250TP		SCREW M6 L=12						1	
43		SM9061250TP		SCREW M6 L=12						1	
44		SS2110710TP		SCREW 11/64-40 L=7						1	
45		SS6110420TP		SCREW 11/64-40 L=4.8						1	
46		SS6110520TP		SCREW 11/64-40 L=4.5						1	

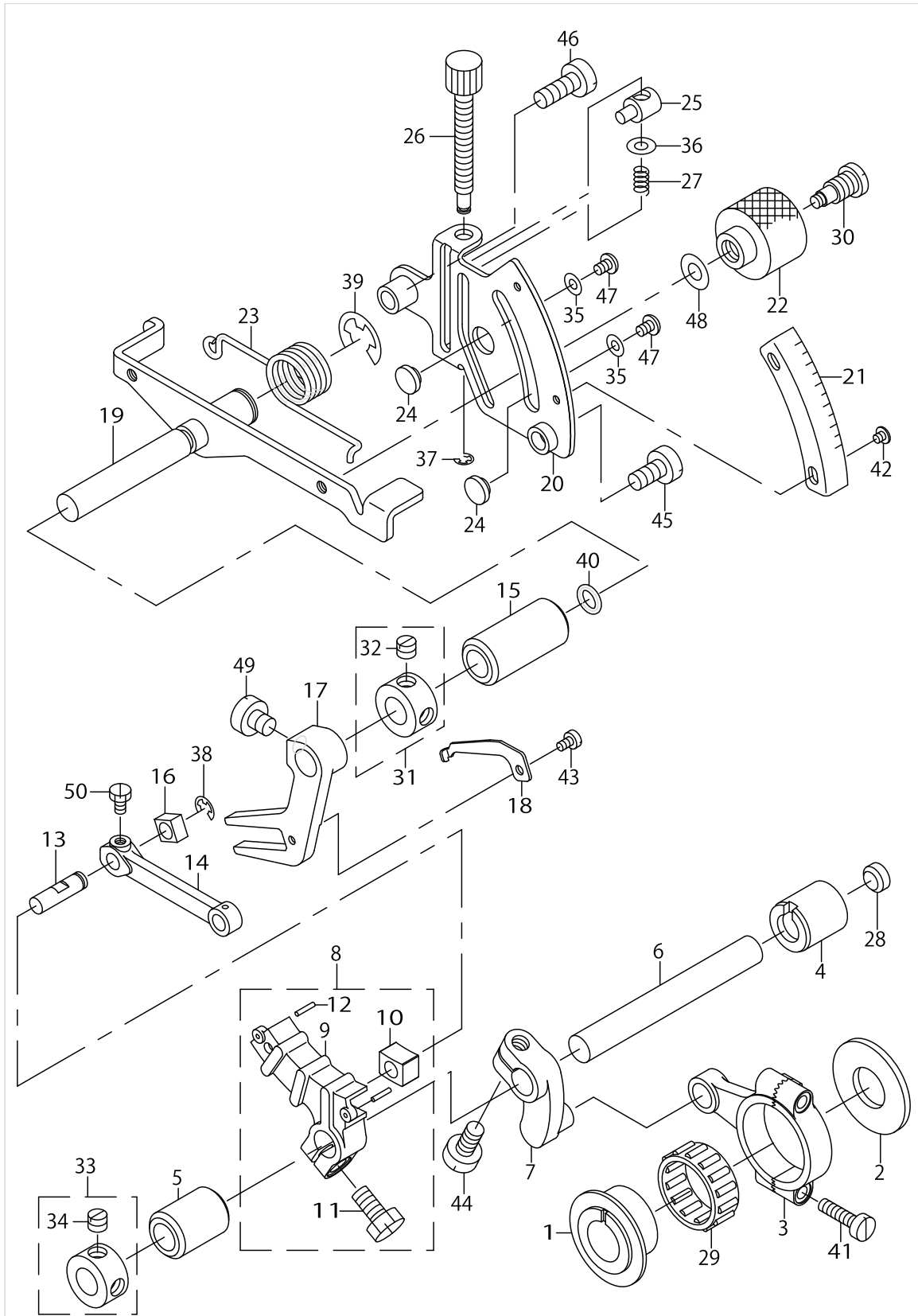
UPPER FEED MECHANISM COMPONENTS(1)



UPPER FEED MECHANISM COMPONENTS(1)

No.	Supply Code	Parts No.	Replacement	Parts name	Remarks	Choice	Step	Level	Cons	Qty	Rep. QTY
47		SS6110710TP		SCREW 11/64-40 L= 6.5						1	
48		SS6110820TP		SCREW 11/64-40 L=8						1	
49		SS7090410SP		SCREW 9/64-40 L=3.5						1	
50		SS7110740TP		SCREW 11/64-40 L=7						1	
51		B3525704000		OIL FELT						2	
52		B3525704000		OIL FELT						2	
53		TA0180401M0		NEEDLE COOLER PLUG CAP						1	
54		TA0180401M0		NEEDLE COOLER PLUG CAP						1	
55		TA0340201R0		PLUG D=3.4X3.9 L=S						1	
56		TA0800501R0		PLUG D=8X8.2 L=5						1	
57		WP0371036SD		WASHER 3.7X6X1						1	
58		WP0451026SH		WASHER						1	
59		WP0621016SH		WASHER						1	
60		11936614		TOP FEED DOG	FOR MOR-- 3904,3904E					1	
61		11936804		TOP FEED DOG	FOR MOR-- 3914,3914E					1	
62		12330007		TOP FEED DOG	FOR MOR-- 3916,3916E					1	
63	R	12305405	31204407	TOP FEED DOG LIFTER B						1	1.00
64		12305504		UPPER FEED DOG LIFTER B SPRING						1	
65		NS6150430SP		NUT 15/64-28						1	
66		SS9151210TP		SCREW 15/64-28 L=11.8						1	
67		SS6121020SP		SCREW 3/16-28 L=9.5						1	
68		12316402		OIL WICK(VERTICAL A)	SELECTIVE PART					1	
69		12316501		OIL WICK(VERTICAL B)	SELECTIVE PART					1	
70		12316600		OIL WICK(VERTICAL C)	SELECTIVE PART					1	
71		12316709		OIL WICK(VERTICAL A)	SELECTIVE PART					1	
72		12316808		OIL WICK(VERTICAL B)	SELECTIVE PART					1	
73		12316907		OIL WICK(VERTICAL C)	SELECTIVE PART					1	
74		12317103		OIL WICK(HORIZONTAL)						1	
75		12317202		OIL WICK (HORIZONTAL)						1	

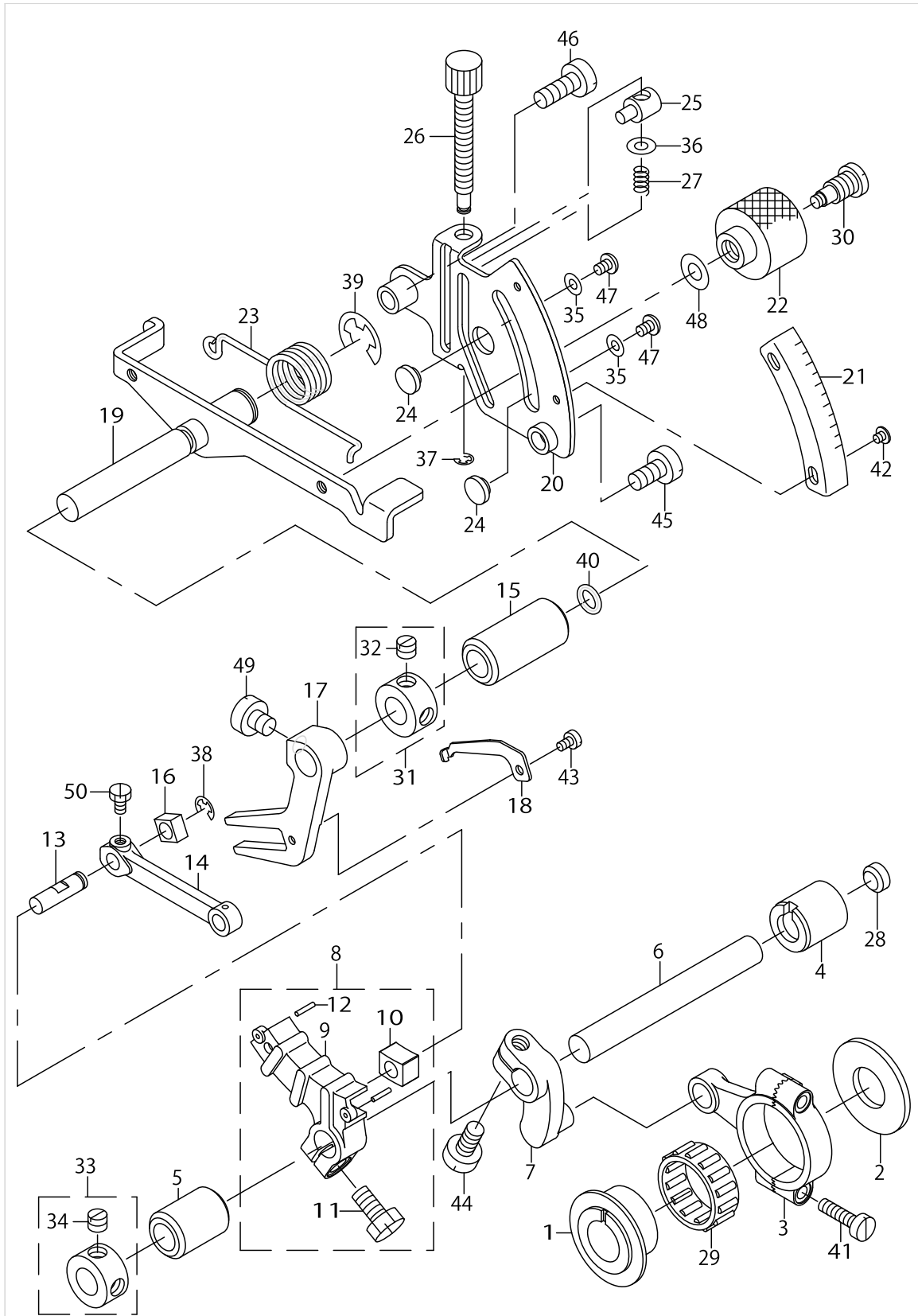
UPPER FEED MECHANISM COMPONENTS(2)



UPPER FEED MECHANISM COMPONENTS(2)

No.	Supply Code	Parts No.	Replacement	Parts name	Remarks	Choice	Step	Level	Cons	Qty	Rep. QTY
1	D	12308003		HORIZONTAL FEED CAM						1	
2		12308102		CAM SPACER						1	
3	R	12308201	12308250	HORIZONTAL ROD						1	1.00
4		12308300		METAL,FRONT						1	
5		12308409		METAL, REAR						1	
6		12308508		HORIZONTAL DRIVING SHAFT						1	
7	R	12308607	31207905	HORIZONTAL ARM A						1	1.00
8		12308755		HORIZONTAL ARM B ASM.						1	
9	R	12308706	12308755	HORIZONTAL ARM B				*		1	1.00
10	R	12308805	12308755	HORIZONTAL SLIDE BLOCK A				*		1	1.00
11		SM9061250TP		SCREW M6 L=12				*		1	
12		PS0150082KH		SPRING PIN				*		2	
13		12308904		HORIZONTAL FEED PIN						1	
14	D	12309001		VERTICAL FEED LINK						1	
15		12311205		METAL						1	
16	R	12311304	31210305	HORIZONTAL SLIDE BLOCK B						1	1.00
17	D	12311403		VERTICAL FORKED ARM						1	
18	R	12311502	31210503	HORIZONTAL BRANCH STOPPER						1	1.00
19	R	12311650	31210750	ADJUSTING SHAFT ASM.						1	1.00
20		12311809		UPPER FEED SCALE PLATE						1	
21		12311908		UPPER FEED GRADUATION B						1	
22		12312005		UPPER FEED LOCK NUT						1	
23		12312104		UPPER FEED LEVER SPRING						1	
24		11529005		STOPPER						2	
25		11826005		DIFFERENTIAL FEED BLOCK						1	
26		11826104		DIFFERENTIAL FEED SCREW						1	
27		11826203		SPRING						1	
28		11898400		RUBBER PLUG B						1	
29		12116703		NEEDLE BEARING B	SELECTIVE PART					1	
30		B1646704000A		DIFFERENTIAL FEED HINGE SCREW						1	
31		CS100101ESH		THRUST COLLAR ASM.						1	
32		SS8660530TP		SCREW 1/4-40 L= 4.5				*		1	
33		CS100101ESH		THRUST COLLAR ASM.						1	
34		SS8660530TP		SCREW 1/4-40 L= 4.5				*		1	
35		WP0371016SD		WASHER 3.7X8X1						2	
36		WP0460556SD		WASHER 4.6X7.5X0.5						1	
37		RE0300000K0		E-RING 3						1	
38		RE0400000K0		E-RING 4						1	
39		RE0900000K0		E-RING 9						1	
40		RO068190100		RUBBER RING						1	
41		SS7111810TP		SCREW11/64-40L=18						2	
42		SM0030301SN		SCREW						2	
43		SM6030510SC		SCREW M3X0.5 L=5						1	
44		SM9061250TP		SCREW M6 L=12						1	
45		SM6061210SC		SCREW M6 L=12						1	
46		SM6061610SC		SCREW M6 L=16						1	

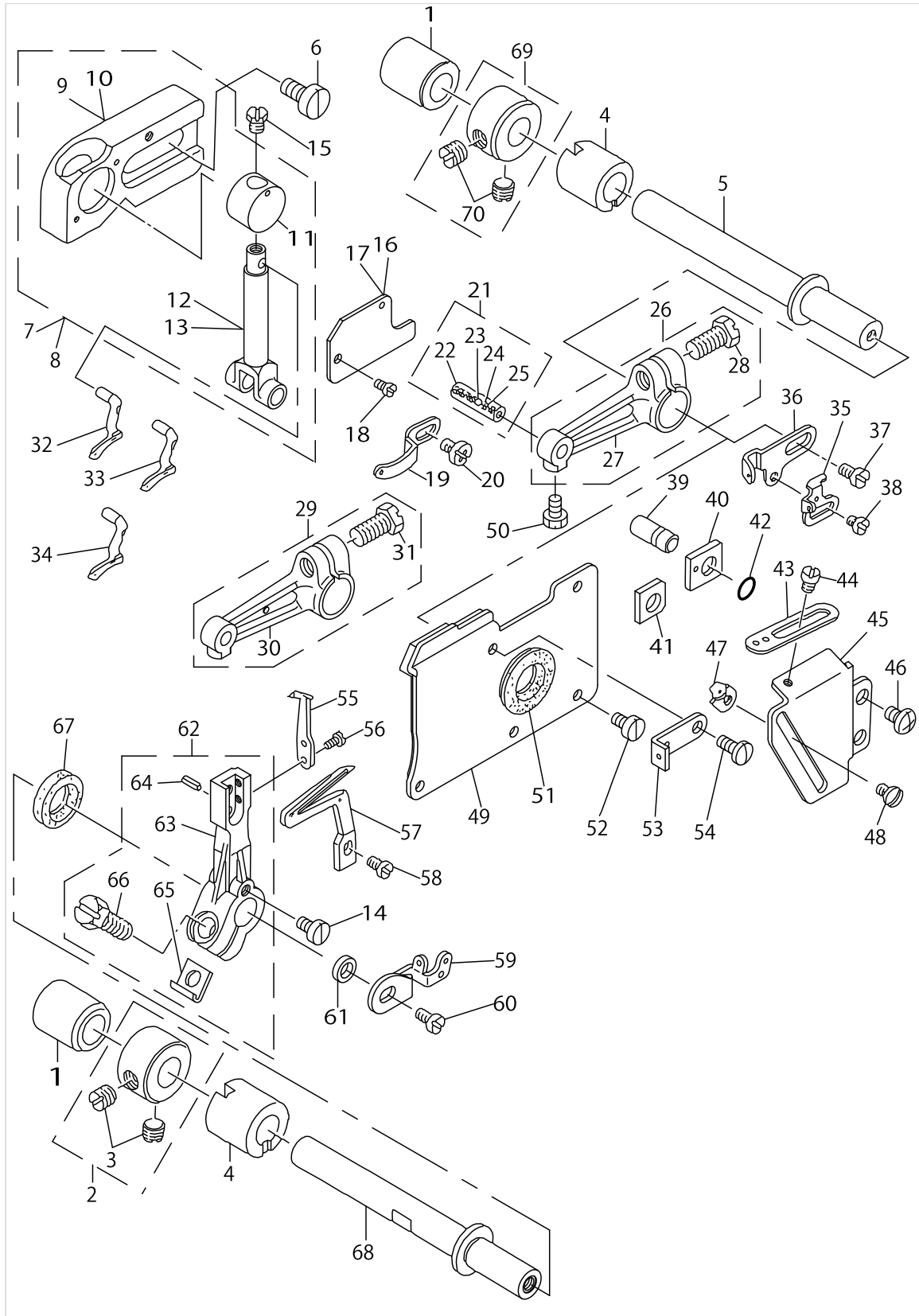
UPPER FEED MECHANISM COMPONENTS(2)



UPPER FEED MECHANISM COMPONENTS(2)

No.	Supply Code	Parts No.	Replacement	Parts name	Remarks	Choice	Step	Level	Cons	Qty	Rep. QTY
47		SS4090515SP		SCREW 9/64-40 L=5						2	
48		WP0621016SD		WASHER 6.2X13X1						1	
49		SS6660710TP		SCREW 1/4-40 L=7						1	
50		SS9090610TP		SCREW 9/64-40 L=5.5						1	

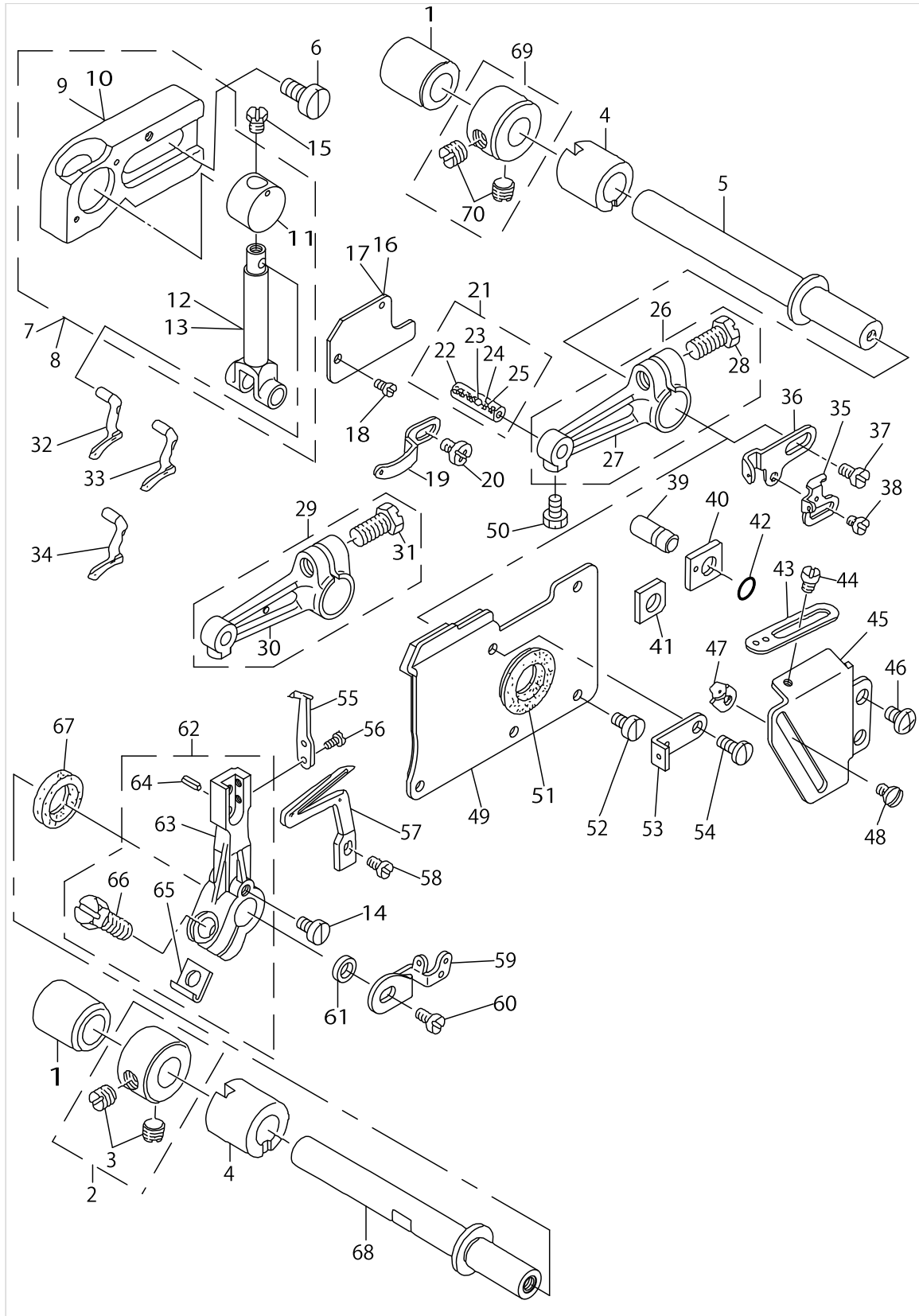
UPPER & LOWER LOOPER COMPONENTS



UPPER & LOWER LOOPER COMPONENTS

No.	Supply Code	Parts No.	Replacement	Parts name	Remarks	Choice	Step	Level	Cons	Qty	Rep. QTY
1	D	12122610		BUSHING REAR						2	
2		CS1031210SH		THRUST COLLAR A-SM. D=10.32 W=1	FOR MOR--3904,3904E-.3914,3914E					1	
3		SS8660610TP		SCREW 1/4-40 L=6				*		2	
4	R	12122511	13222609	LOOPER SHAFT FRONT BUSHING						2	1.00
5	R	12122404	13221502	UPPER LOOPER SHAFT		A				1	1.00
5	R	12122404	13221601	UPPER LOOPER SHAFT		A				1	1.00
5	R	12122404	13221403	UPPER LOOPER SHAFT		A				1	1.00
6		SM6061200SP		SCREW						2	
7	R	12123063	40015637	UPPER LOOPER GUIDE SUPPORT ASM	FOR MOR--3904,3904E-.3916,3916E					1	1.00
8	R	12123162	40016841	FEED ECCENTRIC BODY ASM.	FOR MOR--3914,3914E					1	1.00
9	R	12123006	40015637	UPPER LOOPER GUIDE SUPPORT	FOR MOR--3904,3904E-.3916,3916E	C				1	1.00
9	R	12123006	40015637	UPPER LOOPER GUIDE SUPPORT	FOR MOR--3904,3904E-.3916,3916E			*		1	1.00
9	R	12123006	40015637	UPPER LOOPER GUIDE SUPPORT	FOR MOR--3904,3904E-.3916,3916E			*		1	1.00
10	R	12123105	40016841	UPPER LOOPER GUIDE SUPPORT, B	FOR MOR--3914,3914E	C				1	1.00
10	R	12123105	40016841	UPPER LOOPER GUIDE SUPPORT, B	FOR MOR--3914,3914E			*		1	1.00
10	R	12123105	40016841	UPPER LOOPER GUIDE SUPPORT, B	FOR MOR--3914,3914E			*		1	1.00
11	R	12123212	40015637	UPPER LOOPER GUIDE		A				1	1.00
11	R	12123212	40016841	UPPER LOOPER GUIDE		B				1	1.00
11	R	12123212	40026017	UPPER LOOPER GUIDE		C				1	1.00
12	R	12122909	40015637	UPPER LOOPER HOLDER	SELECTIVE PART			*		1	1.00
12	R	12122909	40016841	UPPER LOOPER HOLDER	SELECTIVE PART			*		1	1.00
12	R	12122909	40026017	UPPER LOOPER HOLDER	SELECTIVE PART			*		1	1.00
13	R	12124301	40015637	UPPER LOOPER HOLDER B	SELECTIVE PART			*		1	1.00
13	R	12124301	40016841	UPPER LOOPER HOLDER B	SELECTIVE PART			*		1	1.00
13	R	12124301	40026017	UPPER LOOPER HOLDER B	SELECTIVE PART			*		1	1.00
14		SS6090630TP		SCREW 9/64-40 L=6						1	
15		SS9090410TP		SCREW						1	
16		11991601		UPPER LOOPER GUIDE COVER	FOR MOR--3904,3904E-.3916,3916E					1	
17		B251570400B		UPPER LOOPER GUIDE COVER B	FOR MOR--3914,3914E					1	
18		SS7060610SP		SCREW 3/32-56 L=5.5						2	
19		11833308		UPPER LOOPER THREAD GUIDE						1	
20		SS4090615SP		SCREW 9/64-40 L=6						1	
21	D	11831757		PIN ASM.	SELECTING PART FOR FIT TOLERANCE					1	
22	D	11517000		PIN C	SELECTING PART FOR FIT TOLERANCE			*		1	

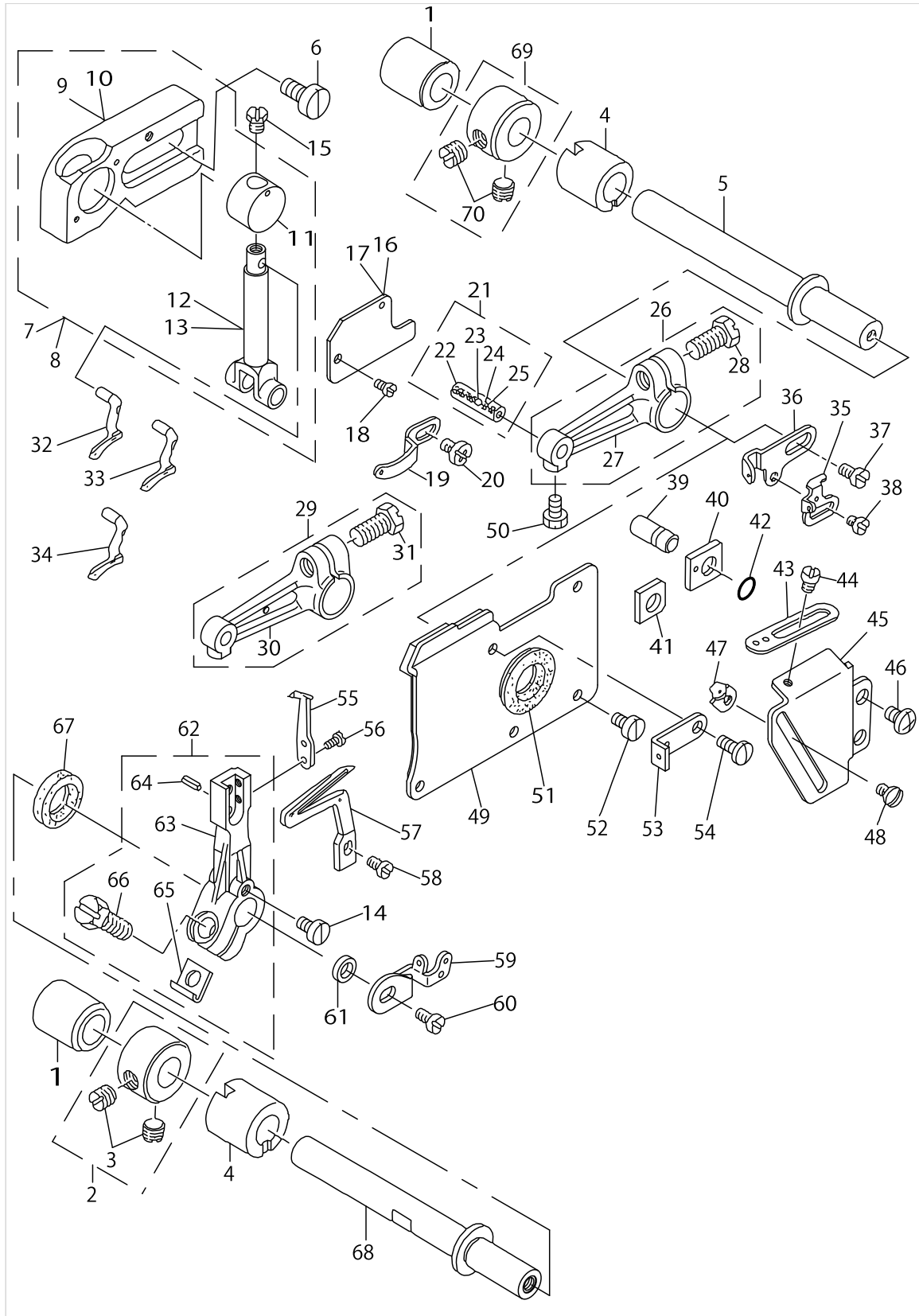
UPPER & LOWER LOOPER COMPONENTS



UPPER & LOWER LOOPER COMPONENTS

No.	Supply Code	Parts No.	Replacement	Parts name	Remarks	Choice	Step	Level	Cons	Qty	Rep. QTY
23	R	11831708	13131701	OIL WICK STOPPER BALL				*		1	1.00
24		CQ202000000		OIL WICK				*		0.04	
25		CQ200000000		OIL WICK				*		0.04	
26		12122750		UPPER LOOPER ARM A ASM.	FOR MOR-- 3904,3904E- .3916,3916E					1	
27	R	12122701	12122750	UPPER LOOPER ARM A				*		1	1.00
28		SS9151210TP		SCREW 15/64-28 L=11.8				*		1	
29	R	12122859	12284550	UPPER LOOPER ARM B ASM.	FOR MOR-- 3914,3914E					1	1.00
30	R	12122800	12284550	UPPER LOOPER ARM B				*		1	1.00
31		SS9151210TP		SCREW 15/64-28 L=11.8				*		1	
32		12176004		UPPER LOOPER	FOR MOR-- 3914,3914E					1	
33		11888104		UPPER LOOPER	FOR MOR-- 3904,3904E- .3916,3916E (NEEDLE #- 9,#11,#14)					1	
34		11999208		UPPER LOOPER	FOR MOR-- 3904,3904E- .3916,3916E (NEEDLE #- 14,#16,#18)					1	
35		11833506		LOWER LOOPER TH- READ TAKE-UP						1	
36	D	12124004		THREAD TAKE-UP, RIGHT						1	
37		SS7110840SP		SCREW 11/64-40 L=7.8						1	
38		SS6080410SP		SCREW 1/8-44 L=4						1	
39		11831906		PIN						1	
40	R	11831807	13131909	GAUGE	FOR MOR-- 3904,3904E- .3914,3914E					1	1.00
41	R	11991809	13132006	GAUGE	FOR MOR-- 3916,3916E					1	1.00
42		RO037180100		RUBBER RING						1	
43	D	12123907		THREAD GUIDE, RIGHT						1	
44		SS3090610SP		SCREW 9/64-40 L=6						1	
45	D	12123808		LOOPER THREAD T- AKE-UP COVER						1	
46		SM4040655SP		SCREW M4 L=6						2	
47	D	11833407		LOWER LOOPER THREAD GUIDE						1	
48		SS3090610SP		SCREW 9/64-40 L=6						1	
49	R	12123659	13133053	OIL SHIELD PLATE ASM.						1	1.00
50		SS9090610TP		SCREW 9/64-40 L=5.5						1	
51		B2530704000		UPPER LOOPER SH- AFT RUBBER RING						1	
52	R	SS6090630SP	SS6090630TP	SCREW 9/64-40 L=6						4	1.00
53	R	11833100	12340600	LOOPER THREAD GUIDE						1	1.00
54		SS7090850SP		SCREW 9/64-40 L=8						1	
55		11890001		TRAVELING NEEDLE GUARD						1	
56		SS6060440TP		SCREW 3/32-56 L=3.5						2	
57		11999307		LOWER LOOPER						1	
58		SS6090620TP		SCREW						1	
59		12124103		LOOPER THREAD TAKE-UP, LEFT						1	
60		SS7110840SP		SCREW 11/64-40 L=7.8						1	

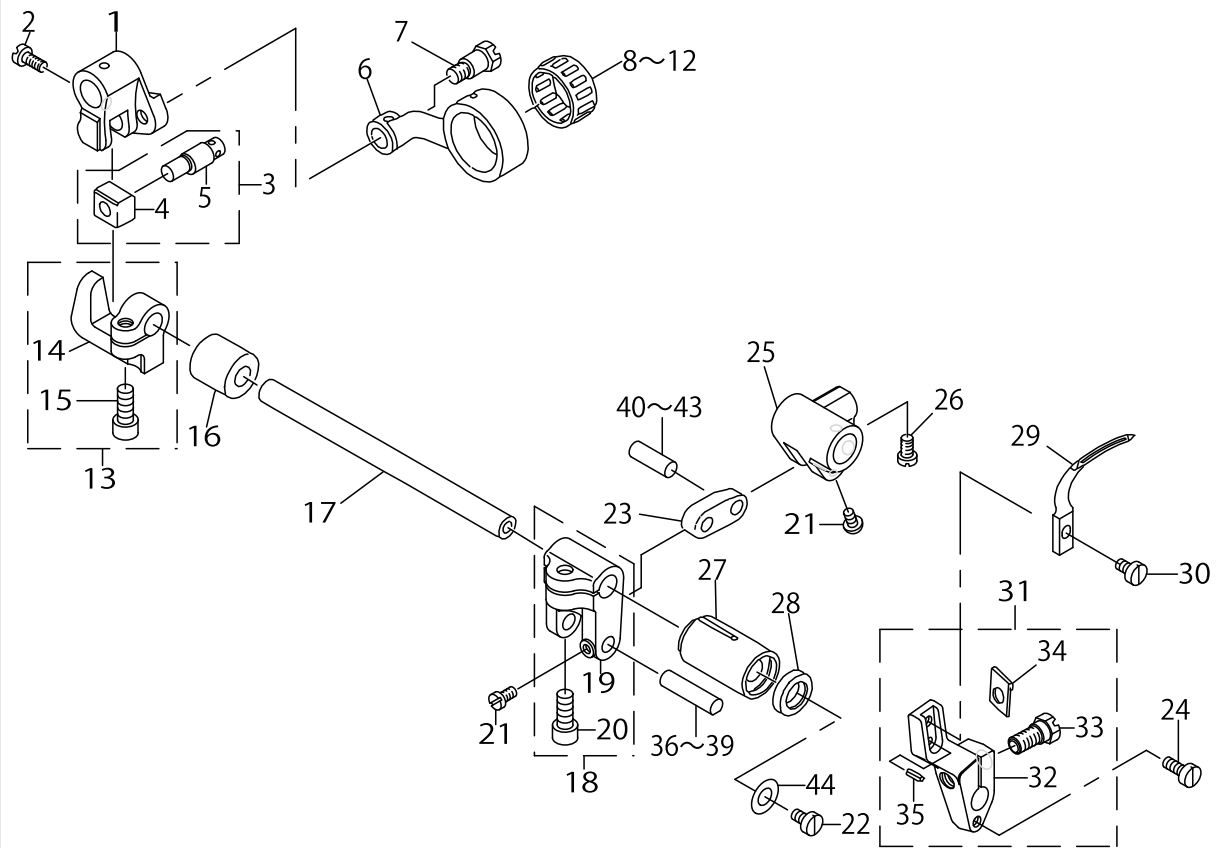
UPPER & LOWER LOOPER COMPONENTS



UPPER & LOWER LOOPER COMPONENTS

No.	Supply Code	Parts No.	Replacement	Parts name	Remarks	Choice	Step	Level	Cons	Qty	Rep. QTY
61	R	12124608	13132600	COLLAR						1	1.00
62		12123550		LOWER LOOPER SUPPORT ARM ASM.						1	
63	R	12123501	13132550	LOWER LOOPER SUPPORT ARM				*		1	1.00
64		PS0300062KH		SPRING PIN 3X6				*		1	
65	R	B2531704000	13129309	WASHER				*		1	1.00
66		SS9151210TP		SCREW 15/64-28 L=11.8				*		1	
67	R	B2508704000	40176173	OIL SEAL						1	1.00
68	R	12123410	13221700	LOWER LOOPER SHAFT						1	1.00
69		CS1031210SH		THRUST COLLAR ASM. D=10.32 W=1						1	
70		SS8660610TP		SCREW 1/4-40 L=6				*		2	

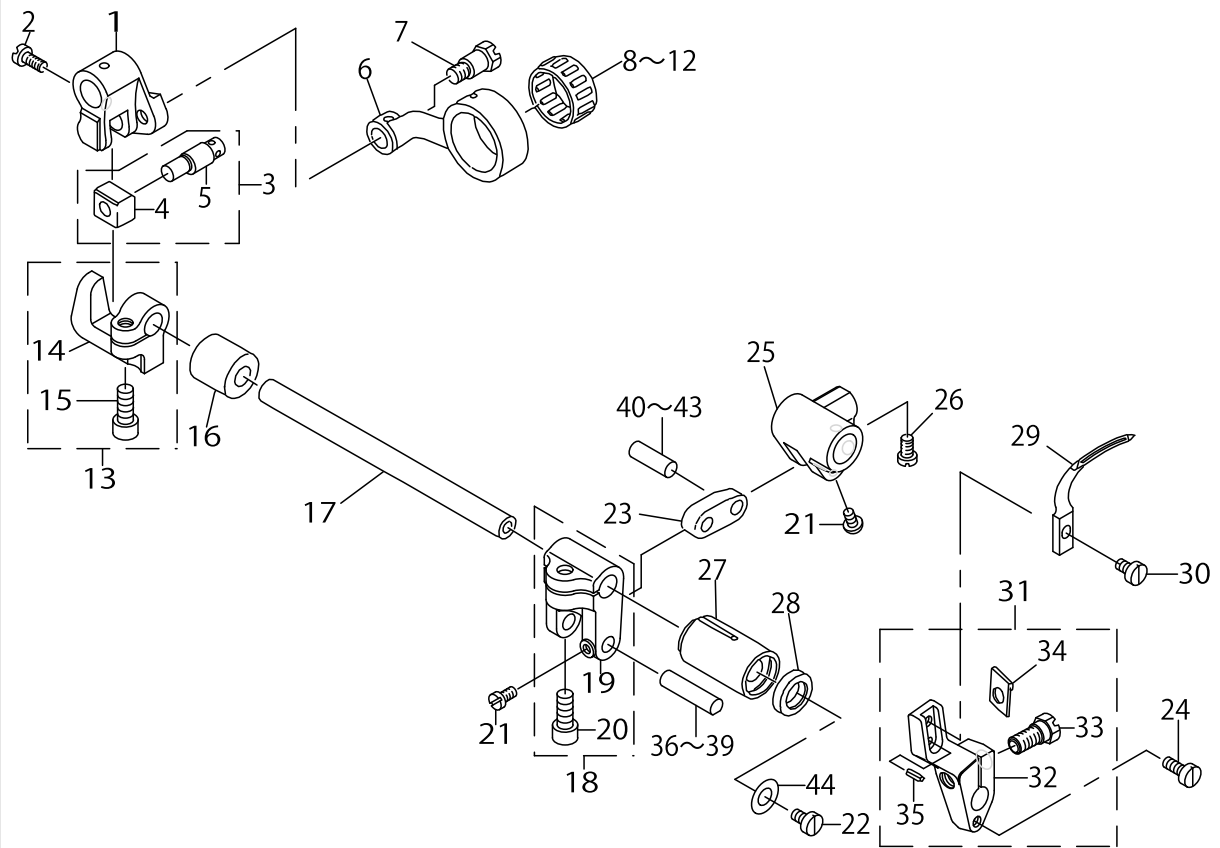
CHAIN LOOPER COMPONENTS(FOR MOR-3916,3916E)



CHAIN LOOPER COMPONENTS(FOR MOR-3916,3916E)

No.	Supply Code	Parts No.	Replacement	Parts name	Remarks	Choice	Step	Level	Cons	Qty	Rep. QTY
1	R	B2103816000B	13126008	CHAIN LOOPER SHAFT SLIDE ARM						1	1.00
2		SS7110720TP		SCREW 11/64-40 L=7						1	
3	R	11829751	13126354	CHAIN LOOPER SLIDE BLOCK PIN						1	1.00
4	R	B2105816000	13126305	CHAIN LOOPER SLIDE BLOCK				*		1	1.00
5	R	B2120816000	13126354	CHAIN LOOPER SLIDE BLOCK PIN				*		1	1.00
6	R	B2102816000A	12284105	CHAIN LOOPER ROD (22MM)						1	1.00
7		SD0720803TH		STEP-SCREW D=7.24 H=8						1	
8		B2119816A00		BEARING A	SELECTING PART FOR FIT TOLERANCE					1	
9		B2119816B00		BEARING B	SELECTING PART FOR FIT TOLERANCE					1	
10		B2119816C00		BEARING C	SELECTING PART FOR FIT TOLERANCE					1	
11		B2119816D00		BEARING D	SELECTING PART FOR FIT TOLERANCE					1	
12	D	B2119816E00		BEARING E	SELECTING PART FOR FIT TOLERANCE					1	
13	R	12120465	13129853	BRACKET ASM.						1	1.00
14	R	12120416	13129853	BRACKET				*		1	1.00
15		SM6051202TP		SCREW M5X0.8 L=12				*		1	
16	R	B2111716000	13127006	BUSHING, REAR						1	1.00
17	D	12120507		CHAIN LOOPER SHAFT						1	
18	D	11539061		CHAIN LOOPER SH-AFT DRIVING ARM						1	
19	D	11539012		CHAIN LOOPER SH-AFT DRIVING ARM				*		1	
20		SM6051202TP		SCREW M5X0.8 L=12				*		1	
21	R	SS4080610SP	SS4080620TP	SCREW 1/8-44 L=6.4						2	1.00
22		SD0720332SP		HINGE SCREW D= 7.24 H= 3.3						1	
23	R	11829801	13127105	CHAIN LOOPER SHAFT DRIV. LINK						1	1.00
24		SS6090920SP		SCREW						1	
25	R	12121612	12121653	DRIVING BALL ARM BRACKET						1	1.00
26		SS6110710TP		SCREW 11/64-40 L= 6.5						3	
27	R	12122008	13128103	BUSHING, FRONT						1	1.00
28	R	B2525352000	40010805	OIL SEAL RING						1	1.00
29		12120705		CHAIN LOOPER						1	
30		SS6090620TP		SCREW						1	
31		12121554		CHAIN LOOPER DRIVING ARM ASM.						1	
32		12121513		CHAIN LOOPER DRIVING ARM				*		1	
33		SS9151210TP		SCREW 15/64-28 L=11.8				*		1	
34	R	B2531704000	13129309	WASHER				*		1	1.00
35		PS0250062KH		SPRING PIN 2.5X6				*		1	
36	R	12258307	13126503	PIN, LONG	SELECTING PART FOR FIT TOLERANCE					1	1.00
37	R	12258406	13126602	PIN, LONG	SELECTING PART FOR FIT TOLERANCE					1	1.00

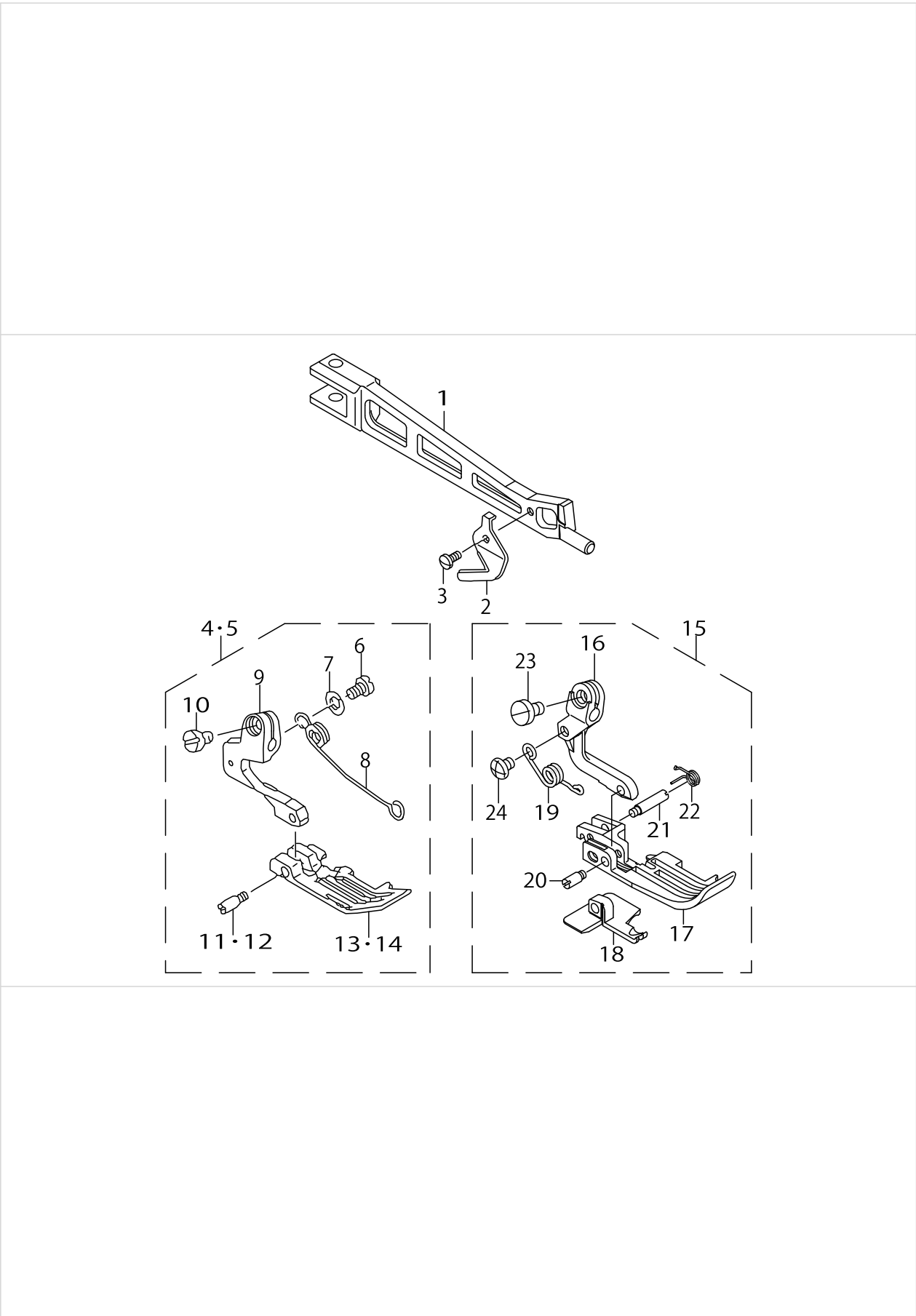
CHAIN LOOPER COMPONENTS(FOR MOR-3916,3916E)



CHAIN LOOPER COMPONENTS(FOR MOR-3916,3916E)

No.	Supply Code	Parts No.	Replacement	Parts name	Remarks	Choice	Step	Level	Cons	Qty	Rep. QTY
38	R	12258505	13126701	PIN, LONG	SELECTING PART FOR FIT TOLERANCE					1	1.00
39	R	12258604	13126800	PIN, LONG	SELECTING PART FOR FIT TOLERANCE					1	1.00
40		12258802		PIN, SHORT	SELECTING PART FOR FIT TOLERANCE					1	
41		12258901		PIN, SHORT	SELECTING PART FOR FIT TOLERANCE					1	
42		12259008		PIN, SHORT	SELECTING PART FOR FIT TOLERANCE					1	
43	D	12259107		PIN, SHORT	SELECTING PART FOR FIT TOLERANCE					1	
44		WP0612066SP		WASHER 6.1X11X2						1	

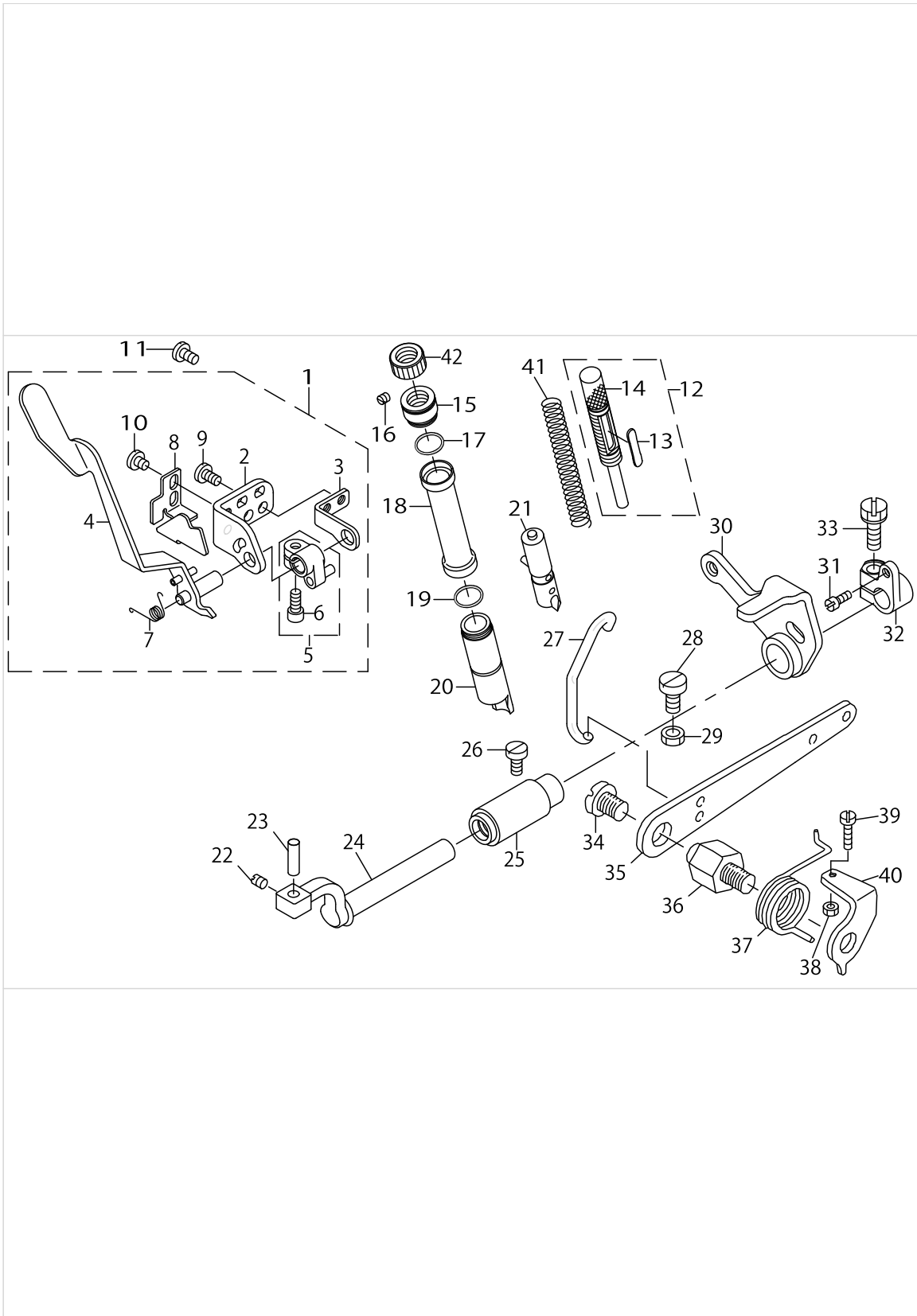
PRESSER FOOT COMPONENTS(1)



PRESSER FOOT COMPONENTS(1)

No.	Supply Code	Parts No.	Replacement	Parts name	Remarks	Choice	Step	Level	Cons	Qty	Rep. QTY
1	D	12305603		PRESSER FOOT ARM						1	
2		B1528804000A		THREAD TRIMMER						1	
3		SS7060510SP		SCREW 3/32-56 L=4.8						1	
4	D	11932068		PRESSER FOOT ASM.	FOR MOR-- 3904,3904E					1	
5		11932456		PRESSER FOOT ASM.	FOR MOR-- 3914,3914E					1	
6		SS7080520SP		SCREW 1/8-44 L=4.9				*		1	
7		WP0371026SD		WASHER 3.7X7X1				*		1	
8		11930906		PRESSER FOOT SPRING				*		1	
9		11925104		PRESSER FOOT HINGE				*		1	
10	R	SS6090650SP	SS6090670TP	SCREW 9/64-40 L=6				*		1	1.00
11		11930500		PRESSER FOOT HINGE PIN	FOR MOR-- 3904,3904E			*		1	
12		11930609		HINGE PIN	FOR MOR-- 3914,3914E			*		1	
13	D	11925914		PRESSER	FOR MOR-- 3904,3904E			*		1	
14	D	11926300		PRESSER FOOT	FOR MOR-- 3914,3914E			*		1	
15		12320057		PRESSER FOOT ASM.	FOR MOR-- 3916,3916E					1	
16	R	12320206	12320057	PRESSER FOOT HINGE				*		1	1.00
17	R	12320008	12320057	PRESSER				*		1	1.00
18	R	12320107	12320057	REAR PRESSER				*		1	1.00
19		12320305		PRESSER FOOT ARM SPRING				*		1	
20		11930708		PRESSER FOOT HINGE PIN				*		1	
21		11930807		HINGE PIN				*		1	
22		11931706		SPRING				*		1	
23	R	SS6090650SP	SS6090670TP	SCREW 9/64-40 L=6				*		1	1.00
24		SS4080415SP		SCREW 1/8-44 L=4				*		1	

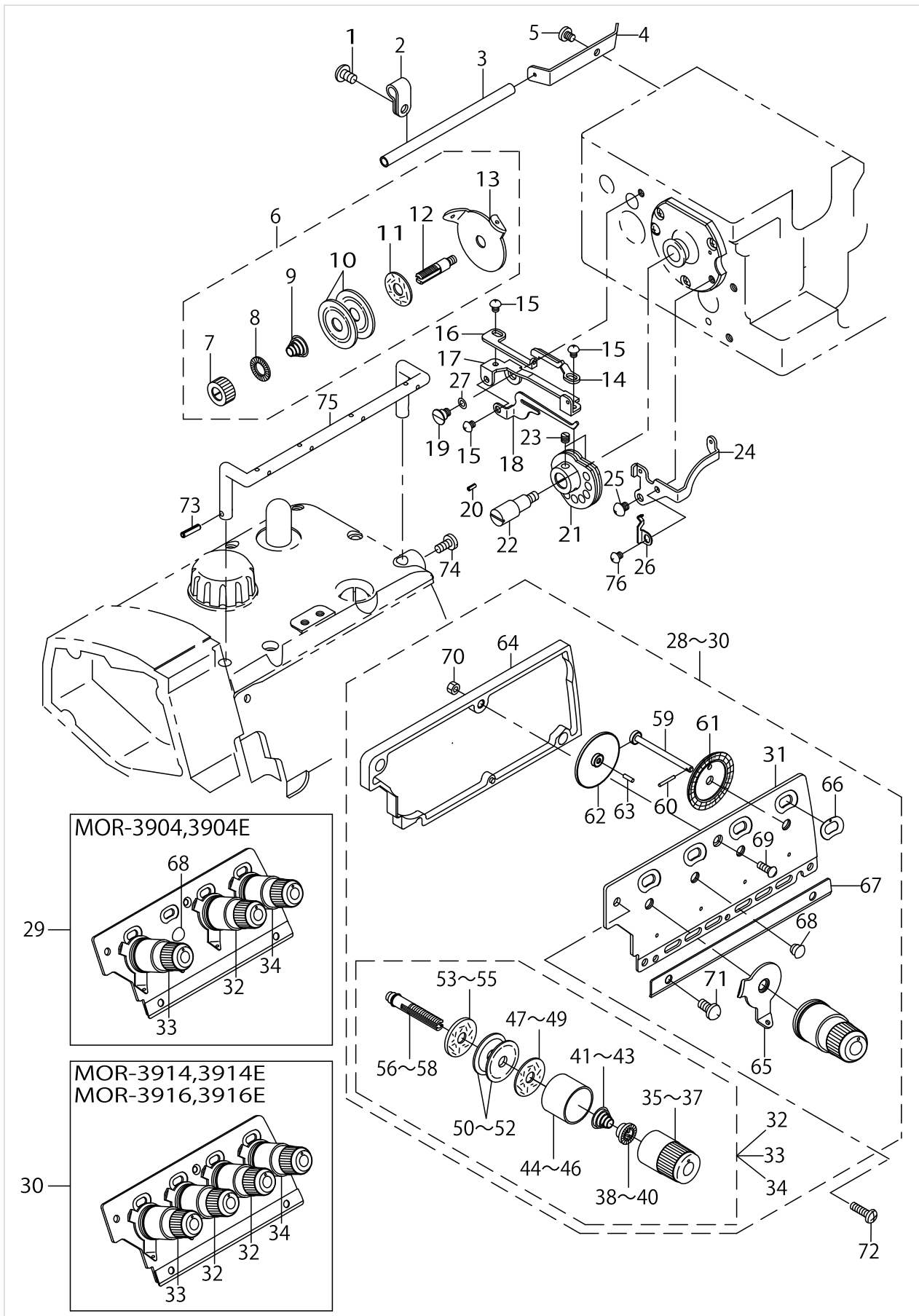
PRESSER FOOT COMPONENTS(2)



PRESSER FOOT COMPONENTS(2)

No.	Supply Code	Parts No.	Replacement	Parts name	Remarks	Choice	Step	Level	Cons	Qty	Rep. QTY
1	R	12306155	13274253	FOOT LIFTING LEVER STAND ASM.						1	1.00
2		12306106		FOOT LIFTING LEVER STAND A				*		1	
3		12306205		FOOT LIFTING LEVER STAND B				*		1	
4		12306353		FOOT LIFTING LEVER JUNCTION				*		1	
5		12306551		UPPER FEED DOG LIFTER A ASM.				*		1	
6		SS6111052TP		SCREW				*		1	
7		12306601		SPRING				*		1	
8		12306700		PRESSER ARM STOPPER				*		1	
9		SS7110840SP		SCREW 11/64-40 L=7.8				*		2	
10		SS7110510SP		SCREW 11/64-40 L=5				*		2	
11		SS7110840SP		SCREW 11/64-40 L=7.8						2	
12	D	12305959		PRESSER REGULATOR SCREW ASM.						1	
13	R	12310900	12310850	ADJUST SCREW PLATE				*		1	1.00
14		12305900		PRESSER REGULATOR SCREW				*		1	
15	R	12114609	12288700	PRESSER REGULATOR SCREW WASHER						1	1.00
16		SM8040402TP		SCREW M4X0.7 L=4						1	
17		RO110090100		RUBBER RING						1	
18		12114906		PRESSERBARCOVER						1	
19		RO110090100		RUBBER RING						2	
20	D	12305702		PRESSERBARMETAL						1	
21	R	12305850	40011753	PRESSER BAR ASM.						1	1.00
22		SS8110520TP		SCREW 11/64-40 L= 4.5						1	
23		B1534804000		PRESSER FOOT ARM HINGE SHAFT						1	
24	R	12113205	13115001	PRESSER FOOT SHAFT						1	1.00
25		12305009		BUSHING						1	
26		SS6121020SP		SCREW 3/16-28 L=9.5						1	
27		12306809		LIFTING HOOK						1	
28		SM6061200SP		SCREW						1	
29		NM6060003SC		NUT M6						1	
30	R	12305256	31204258	PRESSER LIFTING ARM ASM.						1	1.00
31		SS6110710TP		SCREW 11/64-40 L= 6.5						1	
32		12113817		PRESSER FOOT SHAFT THRUST ARM						1	
33		SS9151210TP		SCREW 15/64-28 L=11.8						1	
34		SS7161040SP		SCREW 1/4-24 L= 9.5						1	
35	R	11819315	13116900	LIFTING LEVER						1	1.00
36		11819109		LIFTING LEVER SCREW						1	
37		11819208		LIFTING LEVER SPRING						1	
38		NS6110420SP		NUT 11/64-40						1	
39	R	SS7111410SP	SS7111410TP	SCREW 11/64-40 L=14						1	1.00
40	D	B1529804000		PRESSER FOOT LIFTING LEVER STOPPER						1	
41		12115903		PRESSER SPRING						1	
42		12114807		PRESSER REGULATOR NUT						1	

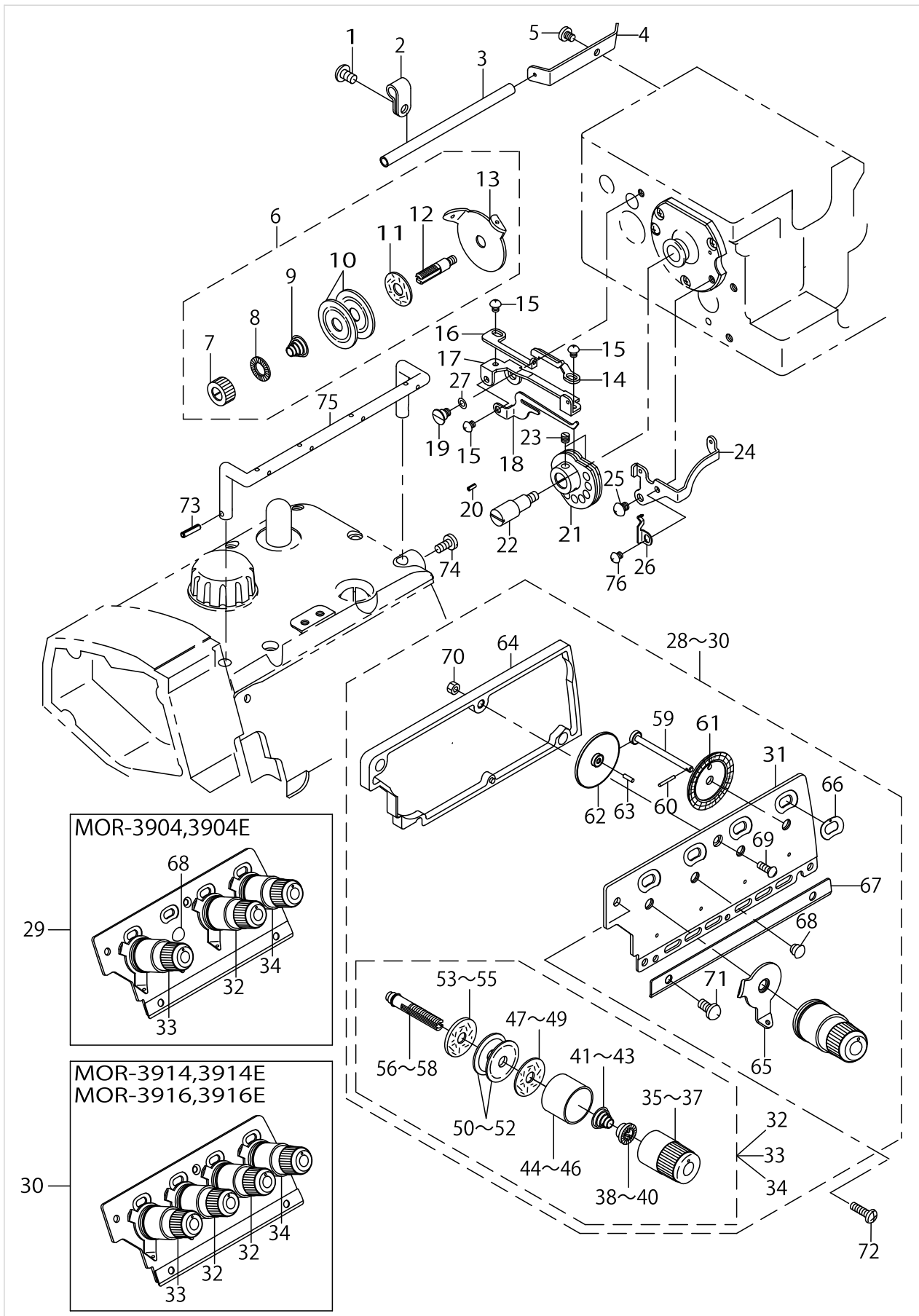
THREAD TENSION COMPONENTS



THREAD TENSION COMPONENTS

No.	Supply Code	Parts No.	Replacement	Parts name	Remarks	Choice	Step	Level	Cons	Qty	Rep. QTY
1		SM4050855SP		SCREW	FOR MOR-- 3916,3916E					1	
2	R	B3113352000	13129259	MOUNTING BRACKET	FOR MOR-- 3916,3916E					1	1.00
3		B2401816000		LOOPER THREAD GUIDE TUBE	FOR MOR-- 3916,3916E					1	
4	R	B2402716000	13129101	LOOPER THREAD G- UIDE TUBE GUIDE	FOR MOR-- 3916,3916E					1	1.00
5		SS5150510SP		SCREW 15/64-28 L=5	FOR MOR-- 3916,3916E					1	
6	D	11550852		TENSION CONTROLLER ASM.	FOR MOR-- 3916,3916E					1	
7		B2314019000		TENSION POST NUT				*		1	
8		B3120125000		ROTATING STOPPER				*		1	
9		B2017372000		TENSION SPRING NO.1				*		1	
10	R	B3126012000	22921506	THREAD TENSION DISK				*		2	1.00
11	R	B3120352000	13139902	THREAD TENSION SPRING FELT				*		1	1.00
12	R	11550803	13139555	THREAD TENSION POST				*		1	1.00
13	R	11550308	13139605	THREAD GUIDE				*		1	1.00
14		12120903		THREAD GUIDE A	FOR MOR-- 3916,3916E					1	
15		SS4090415SP		SCREW 9/64-40 L=4	FOR MOR-- 3916,3916E					3	
16		12121000		THREAD GUIDE B	FOR MOR-- 3916,3916E					1	
17	D	12120804		THREAD GUIDE BASE	FOR MOR-- 3916,3916E					1	
18		12121109		THREAD GUIDE HOOK	FOR MOR-- 3916,3916E					1	
19		SD0600341TP		HINGE SCREW D=6.0 H=3.4	FOR MOR-- 3916,3916E					1	
20		PS0200052KH		SPRING PIN 2.3X5	FOR MOR-- 3916,3916E					1	
21	R	B2201816000	13129457	THREAD CAM	FOR MOR-- 3916,3916E					1	1.00
22	R	B2202816000	13130000	SHAFT	FOR MOR-- 3916,3916E					1	1.00
23		SS8110410TP		SCREW 11/64-40 L= 3.5	FOR MOR-- 3916,3916E					2	
24		12121208		THREAD GUIDE	FOR MOR-- 3916,3916E					1	
25		SS4110515SP		SCREW 11/64-40 L=5	FOR MOR-- 3916,3916E					1	
26		12121307		THREAD GUIDE SPRING	FOR MOR-- 3916,3916E					1	
27		WZ0640312K0		WAVED WASHER	FOR MOR-- 3916,3916E					1	
28		12180659		THREAD GUIDE PLATE ASM.	FOR MOR-- 3914,3914E					1	
29	D	12180162		THREAD GUIDE PLATE ASM.	FOR MOR-- 3904,3904E					1	
30	D	12180261		THREAD GUIDE PLATE ASM.	FOR MOR-- 3916,3916E					1	
31		12126207		THREAD GUIDE PLATE				*		1	
32	D	12126967		KNOB ASM.,YELLOW				*		1	
33	D	12126868		KNOB ASM.,RED				*		1	
34	D	12127064		KNOB ASM.,BLUE				*		1	
35	D	12126918		KNOB ,YELLOW				*		1	
36	D	12126819		KNOB ,RED				*		1	
37	D	12127015		KNOB ,BLUE				*		1	
38		B3112704000		TENSION SPRING BUSHING				*		1	

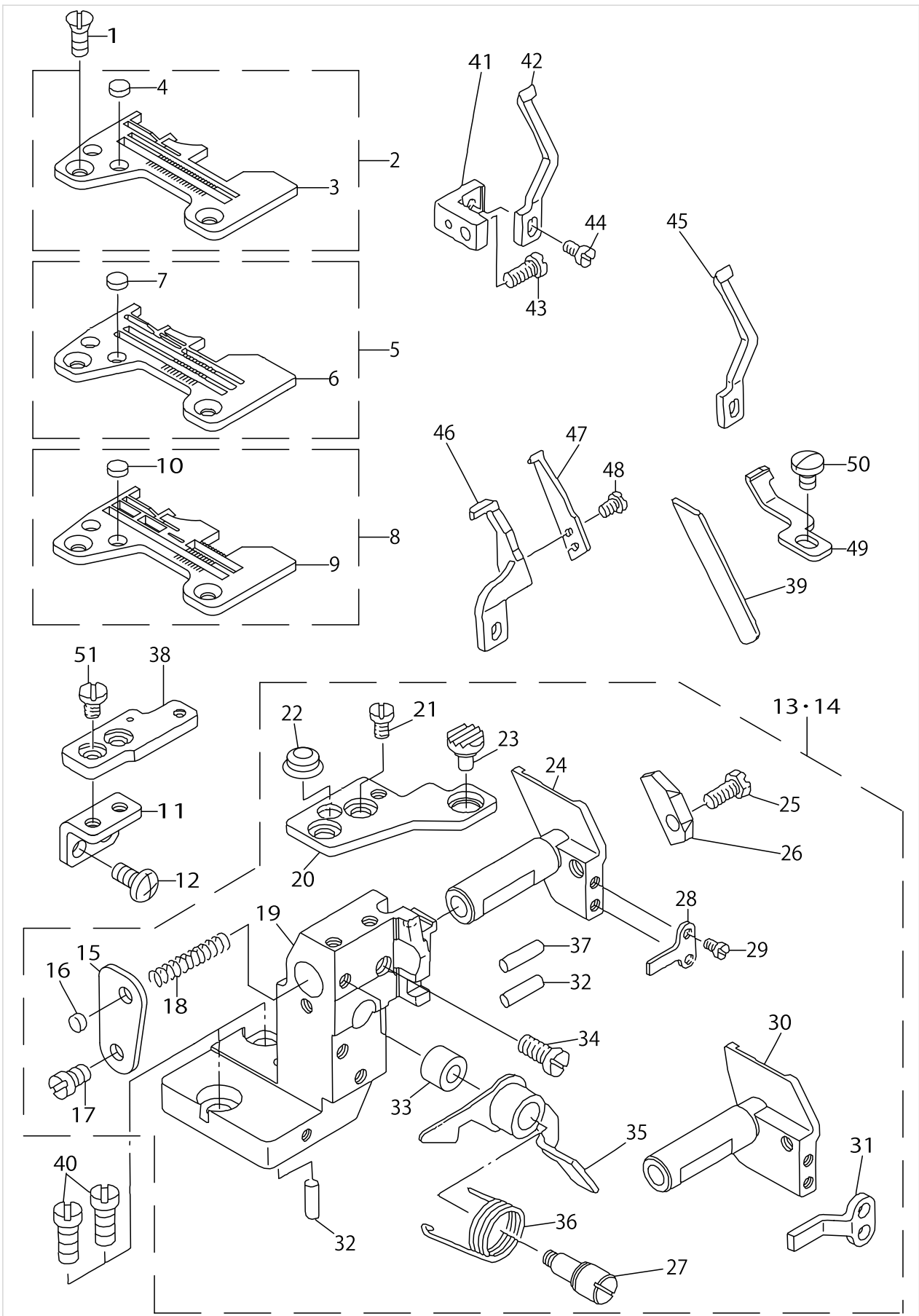
THREAD TENSION COMPONENTS



THREAD TENSION COMPONENTS

No.	Supply Code	Parts No.	Replacement	Parts name	Remarks	Choice	Step	Level	Cons	Qty	Rep. QTY
39		B3112704000		TENSION SPRING BUSHING				*		1	
40		B3112704000		TENSION SPRING BUSHING				*		1	
41		B3102804000		TENSION SPRING, YELLOW				*		1	
42		B3101804000		TENSION SPRING, RED				*		1	
43		B3103804000		TENSION SPRING, BLUE				*		1	
44		12126702		TESION DISK PRESSER				*		1	
45		12126702		TESION DISK PRESSER				*		1	
46		12126702		TESION DISK PRESSER				*		1	
47	R	B3120704000	13138102	THREAD TENSION SPRING FELT				*		1	1.00
48	R	B3120704000	13138102	THREAD TENSION SPRING FELT				*		1	1.00
49	R	B3120704000	13138102	THREAD TENSION SPRING FELT				*		1	1.00
50	R	B3126012000	22921506	THREAD TENSION DISK				*		2	1.00
51	R	B3126012000	22921506	THREAD TENSION DISK				*		2	1.00
52	R	B3126012000	22921506	THREAD TENSION DISK				*		2	1.00
53	R	B3120352000	13139902	THREAD TENSION SPRING FELT				*		1	1.00
54	R	B3120352000	13139902	THREAD TENSION SPRING FELT				*		1	1.00
55	R	B3120352000	13139902	THREAD TENSION SPRING FELT				*		1	1.00
56	D	12126405		THREAD TENSION BAR				*		1	
57	D	12126405		THREAD TENSION BAR				*		1	
58	D	12126405		THREAD TENSION BAR				*		1	
59		12127403		SCALE SHAFT				*		1	
60		12127502		SCALE SHAFT PIN				*		1	
61		12127601		SCALE GEAR				*		1	
62	D	12127700		GEAR				*		1	
63		12127809		GEAR SHAFT				*		1	
64		12127957		SCALE CASE ASM.				*		1	
65		12126504		NEEDLE THREAD GUIDE				*		1	
66		12128203		SCALE SIDE PLATE				*		1	
67		12128302		THREAD LOOPER GUIDE				*		1	
68		TA0620504R0		CAP	FOR MOR-- 3904,3904E			*		1	
69	D	SS2090830SL		SCREW				*		1	
70		NS6090310SP		NUT 9/64-40				*		1	
71		SS7110740TL		SCREW 11/64-40 L= 7.0				*		1	
72		SM4041455SN		SCREW M4 L=14						2	
73		PS0300132KH		SPRING PIN 3X13						1	
74		SS7110910TP		SCREW 11/64-40 L= 8.5						1	
75		12126108		CENTER THREAD GUIDE						1	
76		SS4090415SP		SCREW 9/64-40 L=4	FOR MOR-- 3916,3916E					1	

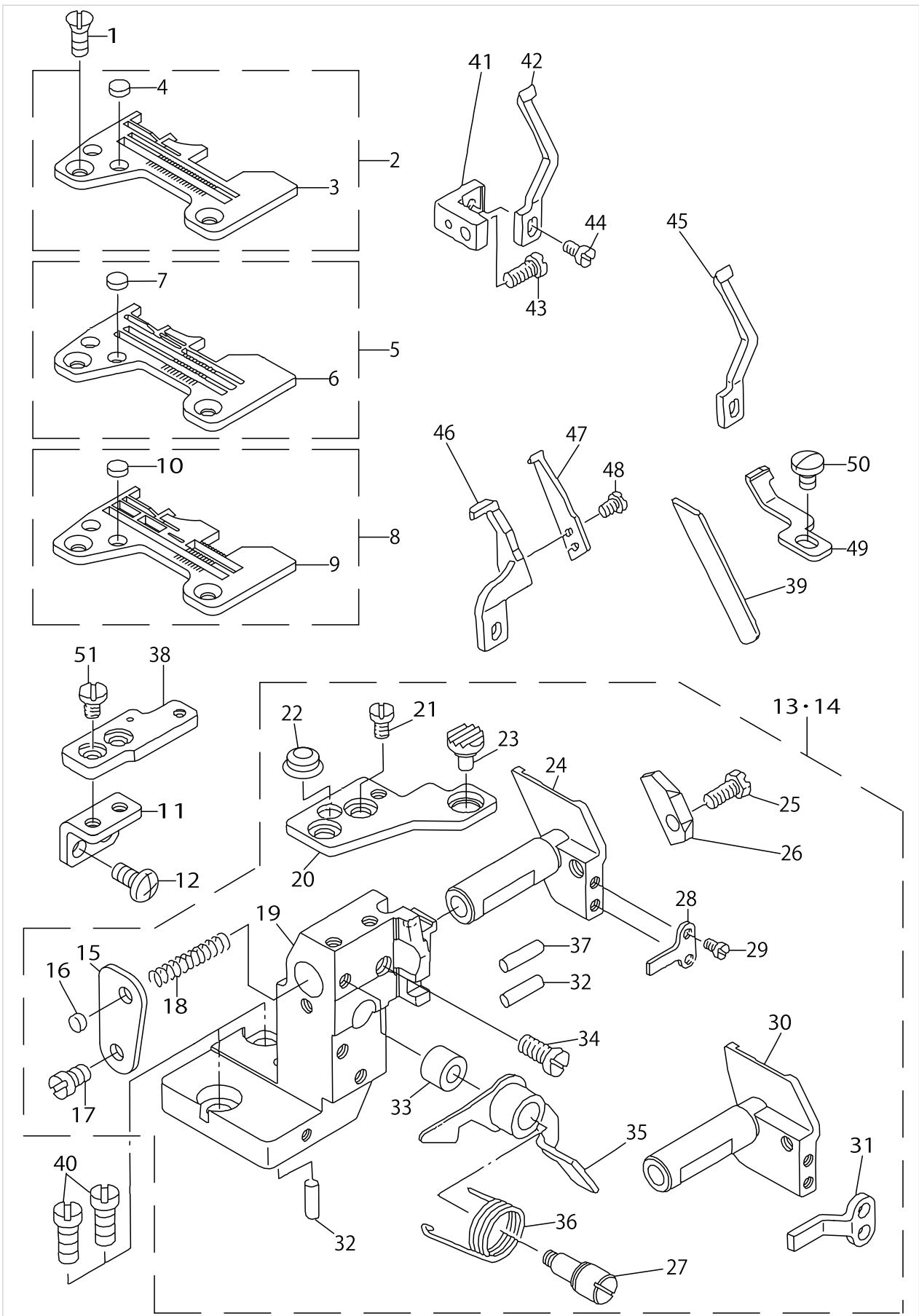
LOWER KNIFE COMPONENTS



LOWER KNIFE COMPONENTS

No.	Supply Code	Parts No.	Replacement	Parts name	Remarks	Choice	Step	Level	Cons	Qty	Rep. QTY
1		SS2110910SL		SCREW 11/64-40 L=9						2	
2	D	R4200J0EDA0		THROAT PLATE ASM.	FOR MOR-- 3904,3904E					1	
3	R	R4200J0ED00	R4200J6ED00	THROAT PLATE				*		1	1.00
4	R	11806304	13102702	PLUG				*		2	1.00
5	D	R4305J0EEA0		THROAT PLATE ASM.	FOR MOR-- 3914,3914E					1	
6	R	R4305J0EE00	R4305J6EE00	THROAT PLATE				*		1	1.00
7	R	11806304	13102702	PLUG				*		2	1.00
8	D	R4508J0EDA0		THROAT PLATE ASM.	FOR MOR-- 3916,3916E					1	
9	D	R4508J0ED00		THROAT PLATE				*		1	
10	R	11806304	13102702	PLUG				*		2	1.00
11		12288908		THROAT PLATE BASE B SUPPORT						1	
12		SM4051055SP		SCREW						2	
13	R	12133658	13232657	LOWER KNIFE BRACKET ASM.						1	1.00
14		12133666		LOWER KNIFE BRACKET ASM.	FOR MOR-- 3916,3916E					1	
15	R	12133211	13149307	SPRING STOPPER				*		1	1.00
16	R	11806304	13102702	PLUG				*		1	1.00
17		SS7110720SP		SCREW 11/64-40 L=7				*		1	
18		11846607		SPRING				*		1	
19	R	12132619	13232657	LOWER KNIFE BRACKET				*		1	1.00
20		12102208		THROAT PLATE BASE A				*		1	
21		SS6110610TP		SCREW 11/64-40 L=6				*		2	
22		12103701		RUBBER PLUG B				*		1	
23	R	12103602	13235304	RUBBER PLUG A				*		1	1.00
24	R	12132700	13149505	LOWER KNIFE SLIDE STUD				*		1	1.00
25		SS9111010SP		SCREW 11/64-40 L=9.5				*		1	
26	R	12133104	13149208	LOWER KNIFE PRESSER PLATE				*		1	1.00
27	R	12102810	40173012	LEVER SHAFT				*		1	1.00
28	R	12132908	13149703	ROTATING STOPPER				*		1	1.00
29		SS7090710SP		SCREW 9/64-40 L=6.8				*		2	
30	R	12132809	13149604	LOWER KNIFE SLIDE STUD	FOR MOR-- 3916,3916E			*		1	1.00
31		12133005		ROTATING STOPPER	FOR MOR-- 3916,3916E			*		1	
32	R	12133708	12133666	HOLDER PIN		B	MO-3916, MOR-3916/3916E	*		3	1.00
32	R	12133708	12377586	HOLDER PIN		D	MOJ-3916, MOG-3716, MO-6916G/6916J	*		3	1.00
32	R	12133708	12377560	HOLDER PIN		F	MOJ-3904	*		3	1.00
32	R	12133708	12377552	HOLDER PIN		G	MOJ-3914, MOG-3704- /3714, MO- -6904G/6914G	*		3	1.00
32	R	12133708	13232657	HOLDER PIN		H	MO-6104D/6114D	*		3	1.00
32	R	12133708	13232756	HOLDER PIN		I	MO-6116D	*		3	1.00
32	R	12133708	13232657	HOLDER PIN				*		3	1.00
32	R	12133708	12257267	HOLDER PIN				*		3	1.00
33	R	12103107	13148903	RUBBER PLUG				*		1	1.00
34		SS7151120SP		SCREW 15/64-28 L=11				*		1	

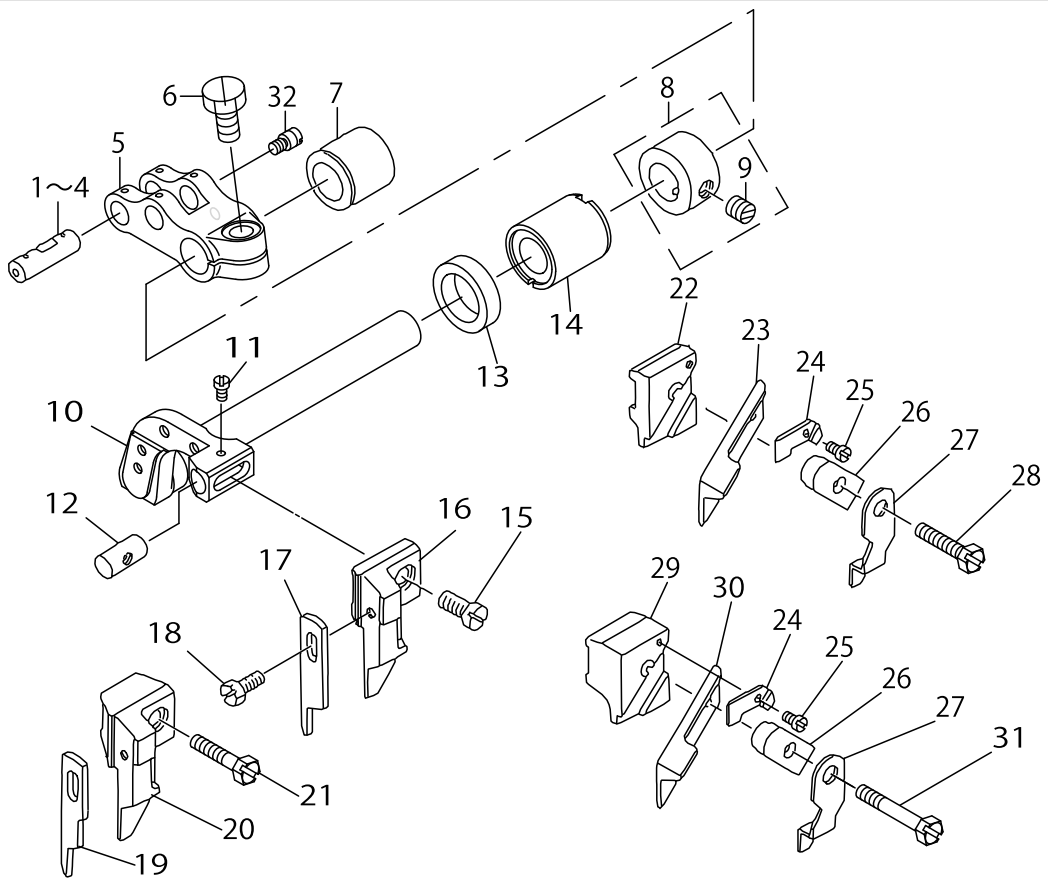
LOWER KNIFE COMPONENTS



LOWER KNIFE COMPONENTS

No.	Supply Code	Parts No.	Replacement	Parts name	Remarks	Choice	Step	Level	Cons	Qty	Rep. QTY
35	R	12102950	13148556	LEVER ASM.				*		1	1.00
36		11802006		LEVER SPRING				*		1	
37		11846805		HOLDER PIN				*		1	
38		11847902		THROAT PLATE BASE B						1	
39		11846003		LOWER KNIFE						1	
40		SS6151440SP		SCREW 15/64-28 L=14						2	
41		11847100		NEEDLE GUARD HOLDER						1	
42		11890100		NEEDLE GUARD	FOR MOR-- 3904,3904E					1	
43		SS7110840SP		SCREW 11/64-40 L=7.8						1	
44		SS7090610SP		SCREW 9/64-40 L=6						1	
45		11890308		NEEDLE GUARD	FOR MOR-- 3914,3914E					1	
46		12015301		NEEDLE HOLDER	FOR MOR-- 3916,3916E					1	
47		12015400		NEEDLE HOLDER	FOR MOR-- 3916,3916E					1	
48		SS7060510SP		SCREW 3/32-56 L=4.8	FOR MOR-- 3916,3916E					2	
49		12177903		NEEDLE HOLDER	FOR MOR-- 3916,3916E					1	
50		SS7090510SP		SCREW 9/64-40 L=4.6	FOR MOR-- 3916,3916E					1	
51		SS6110610TP		SCREW 11/64-40 L=6						2	

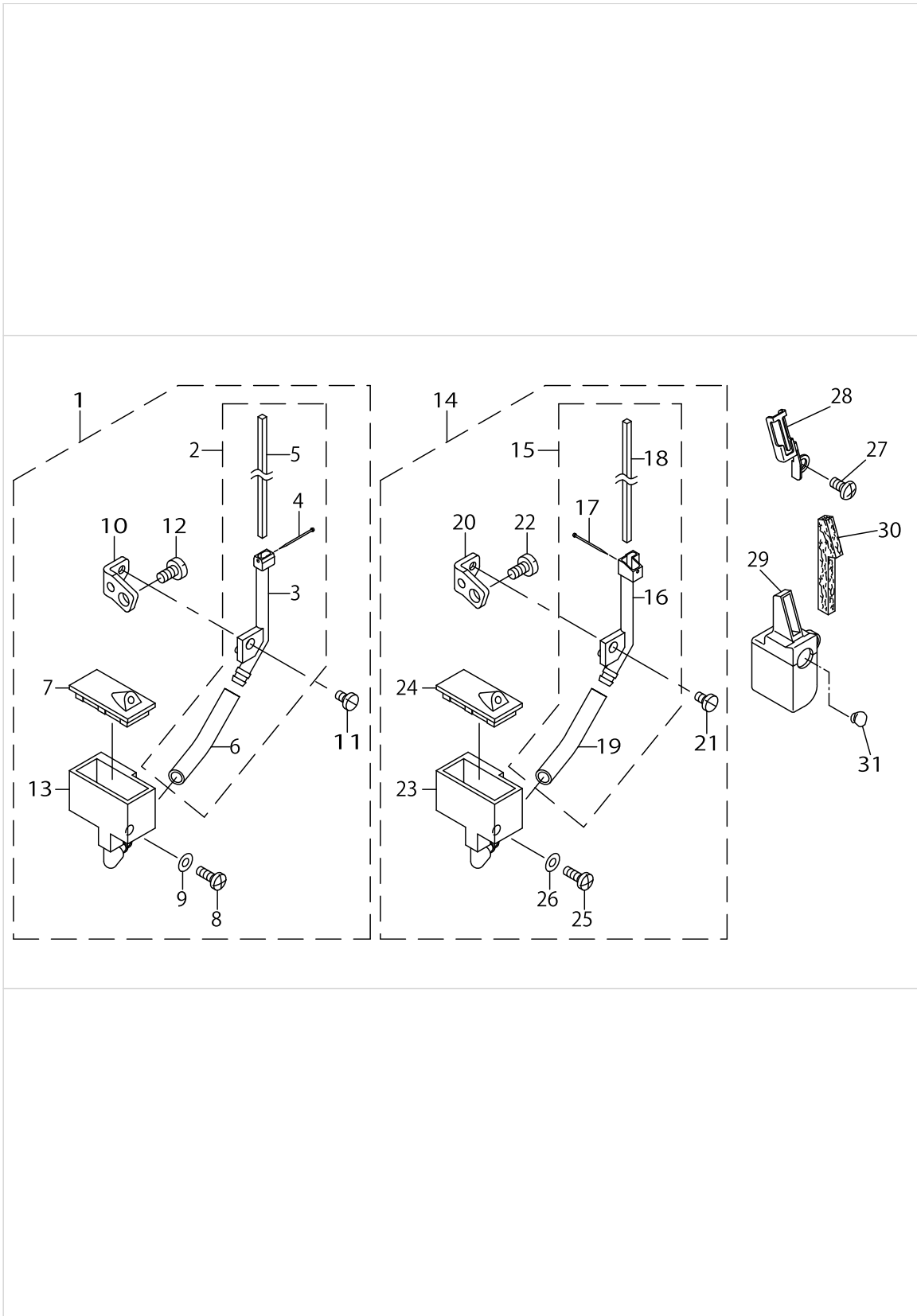
UPPER KNIFE COMPONENTS



UPPER KNIFE COMPONENTS

No.	Supply Code	Parts No.	Replacement	Parts name	Remarks	Choice	Step	Level	Cons	Qty	Rep. QTY
1		11823606		CRANK PIN	SELECTING PART FOR FIT TOLERANCE					1	
2		11823705		CRANK PIN B	SELECTING PART FOR FIT TOLERANCE					1	
3		11823804		CRANK PIN C	SELECTING PART FOR FIT TOLERANCE					1	
4		11823903		CRANK PIN D	SELECTING PART FOR FIT TOLERANCE					1	
5	R	12318002	31215957	UPPER KNIFE DRIVING ARM						1	1.00
6		SM9061250TP		SCREW M6 L=12						1	
7	R	12132502	13151006	BUSHING, REAR						1	1.00
8		CS111101HSH		THRUST COLLAR ASM.						1	
9		SS8660330SP		SCREW 1/4-40 L=3.0				*		1	
10	R	12318101	31216005	KNIFE ARM SHAFT						1	1.00
11		SS4060310SP		SCREW 3/32-56 L=2.5	FOR EXPORT					1	
12	R	11565801	13150800	UPPER KNIFE GUIDE SHAFT						1	1.00
13		11566809		OIL SEAL						1	
14	R	12309803	13277405	SHAFT METAL(FRONT)						1	1.00
15		SS6111040SP		SCREW 11/64-40 L= 9.5	MOR-3904,3914					1	
16	R	12133302	13147400	UPPER KNIFE SUPPORT A	MOR-3904,3914					1	1.00
17		11845609		KNIFE	MOR-3904,3914					1	
18		SS9090823TP		BOLT 9/64-40 L=8	FOR JAPAN					1	
19		11845708		KNIFE	MOR-3916					1	
20	R	12133401	13147301	UPPER KNIFE SUPPORT	MOR-3916					1	1.00
21		SS6111610SP		SCREW 11/64-40 L=16	MOR-3916					1	
22		11598000		UPPER KNIFE SUPPORT	MOR-3904E,3914E					1	
23		11845807		UPPER KNIFE	MOR-3904E,3914E					1	
24		11565702		WASHER	FOR EXPORT					1	
25		SS4060310SP		SCREW 3/32-56 L=2.5	FOR EXPORT					1	
26		11565504		UPPER KNIFE PRESSER PLATE	FOR EXPORT					1	
27		11848405		UPPER KNIFE COVER	FOR EXPORT					1	
28		SS9111610SP		SCREW 11/64-40 L=16	MOR-3904E,3914E					1	
29		11845500		UPPER KNIFE SUPPORT	MOR-3916E					1	
30		11845906		UPPER KNIFE	MOR-3916E					1	
31		SS9112310SP		SCREW 11/64-40 L=23	MOR-3916E					1	
32	R	B2024771000	40009196	SUSPENSION SCREW						1	1.00

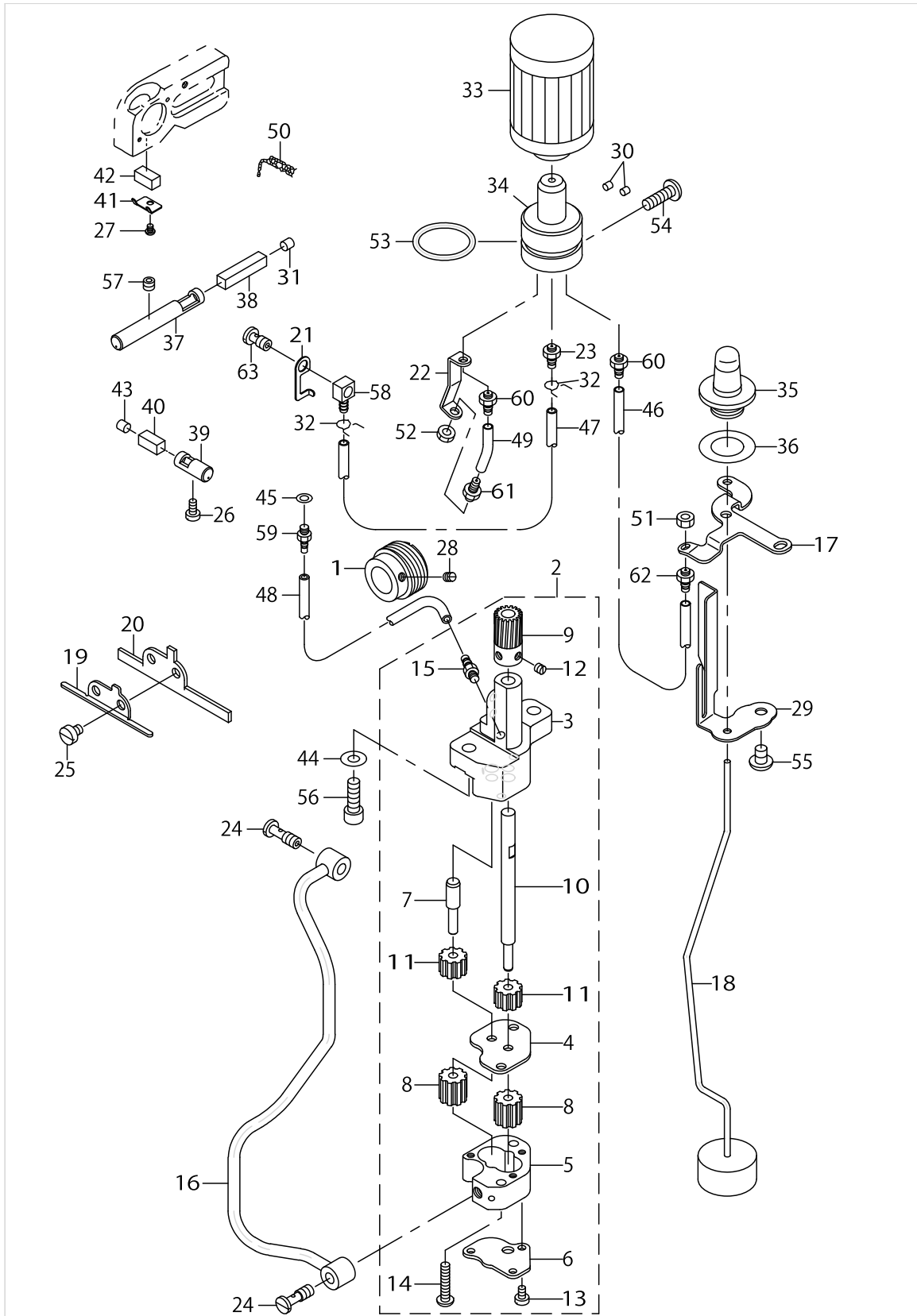
NEEDLE COOLING MECHANISM COMPONENTS



NEEDLE COOLING MECHANISM COMPONENTS

No.	Supply Code	Parts No.	Replacement	Parts name	Remarks	Choice	Step	Level	Cons	Qty	Rep. QTY
1	R	11855954	13162557	NEEDLE COOLER U-NIT ASM. (OVER)	FOR MOR-- 3904,3904E-- .3914,3914E					1	1.00
2	D	11855970		NEEDLE COOLER ASM. (OVER)				*		1	
3	D	11855905		NEEDLE COOLER (OVER)				*		1	
4		11856101		NEEDLE COOLER PIN				*		1	
5		11856200		NEEDLE COOLER FELT				*		1	
6		BT0700500EA		TUBE				*		0.1	
7	D	11856507		TANK COVER				*		1	
8		SS4091015SP		SCREW 9/64-40 L=10				*		1	
9		WP0371026SD		WASHER 3.7X7X1				*		1	
10		11856309		SUPPORT				*		1	
11		SS7090610SP		SCREW 9/64-40 L=6				*		1	
12		SS7110840SP		SCREW 11/64-40 L=7.8				*		1	
13		11856408		TANK				*		1	
14	R	11856051	13163159	NEEDLE COOLER U-NIT ASM.(INTER)	FOR MOR-- 3916,3916E					1	1.00
15		11856077		NEEDLE COOLER ASM. (INTER)				*		1	
16		11856002		NEEDLE COOLER (INTER)				*		1	
17		11856101		NEEDLE COOLER PIN				*		1	
18		11856200		NEEDLE COOLER FELT				*		1	
19		BT0700500EA		TUBE				*		0.1	
20		11856309		SUPPORT				*		1	
21		SS7090610SP		SCREW 9/64-40 L=6				*		1	
22		SS7110840SP		SCREW 11/64-40 L=7.8				*		1	
23		11856408		TANK				*		1	
24	D	11856507		TANK COVER				*		1	
25		SS4091015SP		SCREW 9/64-40 L=10				*		1	
26		WP0371026SD		WASHER 3.7X7X1				*		1	
27		SM4040855SP		SCREW						1	
28		12138400		PRESSER						1	
29	R	12138152	13163456	SILICON TANK ASM.						1	1.00
30	R	12138301	13163803	FELT						1	1.00
31		TA0950806R0		RUBBER PLUG						1	

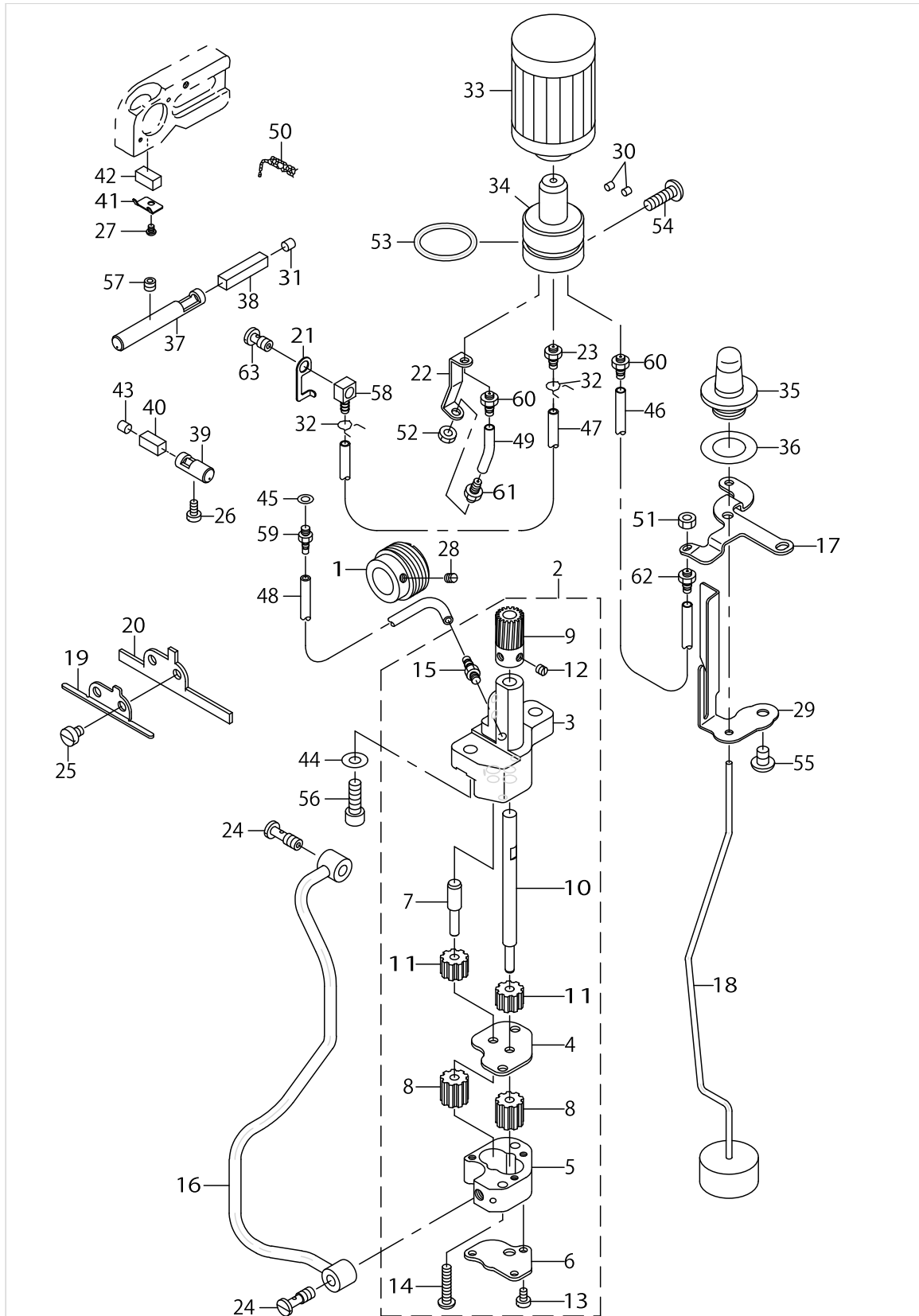
LUBRICATION MECHANISM COMPONENTS



LUBRICATION MECHANISM COMPONENTS

No.	Supply Code	Parts No.	Replacement	Parts name	Remarks	Choice	Step	Level	Cons	Qty	Rep. QTY
1		12315008		WORM						1	
2	R	12315958	40018044	OIL PUMP ASM.						1	1.00
3	R	12315909	40018044	OIL PUMP				*		1	1.00
4	R	12316006	40018044	PINION SPACER				*		1	1.00
5	D	12316105		CASING				*		1	
6	R	12316204	40018044	COVER				*		1	1.00
7	R	12317004	40018044	GEAR PUMP SHAFT		A	MO6700/6900G	*		1	1.00
7	R	12317004	40018045	GEAR PUMP SHAFT		B	MO6900R/6900J	*		1	1.00
8		11840303		OIL PUMP PINION				*		2	
9	R	12256103	13343009	WORM GEAR				*		1	1.00
10	R	11918109	40018044	GEAR PUMP SHAFT LARGE				*		1	1.00
11	R	B3534352000	13228309	PINION GEAR				*		2	1.00
12		SS8110410TP		SCREW 11/64-40 L= 3.5				*		2	
13	R	SS6090650SP	SS6090670TP	SCREW 9/64-40 L=6				*		3	1.00
14		SS4112215SP		SCREW 11/64-40 L=22				*		2	
15		SQ1110401MZ		CONNECTING SCREW				*		1	
16	D	12315354		OIL PIPE ASM.						1	
17		12315800		OILING EXIT SUPPORT						1	
18		12315156		FLOAT ASM.						1	
19		12315503		ONCE THROUGH OIL FELT PRESSER						1	
20	D	12315602		FELT						1	
21		12315701		PIPE SUPPORT						1	
22	D	12316303		WORM OILING EXIT GUIDE						1	
23		SQ1150451MZ		CONNECTING SCREW						1	
24		SQ1150454SD		CONNECTING SCREW						2	
25		SS6120620TP		SCREW						2	
26		SS6121020SP		SCREW 3/16-28 L=9.5						1	
27		SS7060310SP		SCREW 3/32-56 L=3						1	
28		SS8110520TP		SCREW 11/64-40 L= 4.5						1	
29		12315206		FLOAT SUPPORT						1	
30		TA0290301M0		RUBBER PLUG						2	
31		TA0400301M0		PLUG D=4X4.5 L=3						1	
32		10126803		OIL TUBE HOLDER						2	
33	R	11843208	13142500	CARTRIDGE FILTER						1	1.00
34	D	12129706		FILTER GUIDE						1	
35	R	12130100	13143300	OIL GAUGE						1	1.00
36	D	12130209		RUBBER PACKING						1	
37		12130308		OILING PIN						1	
38	R	12130407	13144209	OIL FELT						1	1.00
39		12130506		OILING PIN						1	
40	R	12130605	13143508	OIL FELT						1	1.00
41	R	12130704	13143607	FELT HOLDER						1	1.00
42	R	12130803	13143706	OIL FELT						1	1.00
43		TA0400301M0		PLUG D=4X4.5 L=3						1	
44		WP0651056SD		WASHER 6.5X11X1						2	
45		B3534012000		GASKET						1	

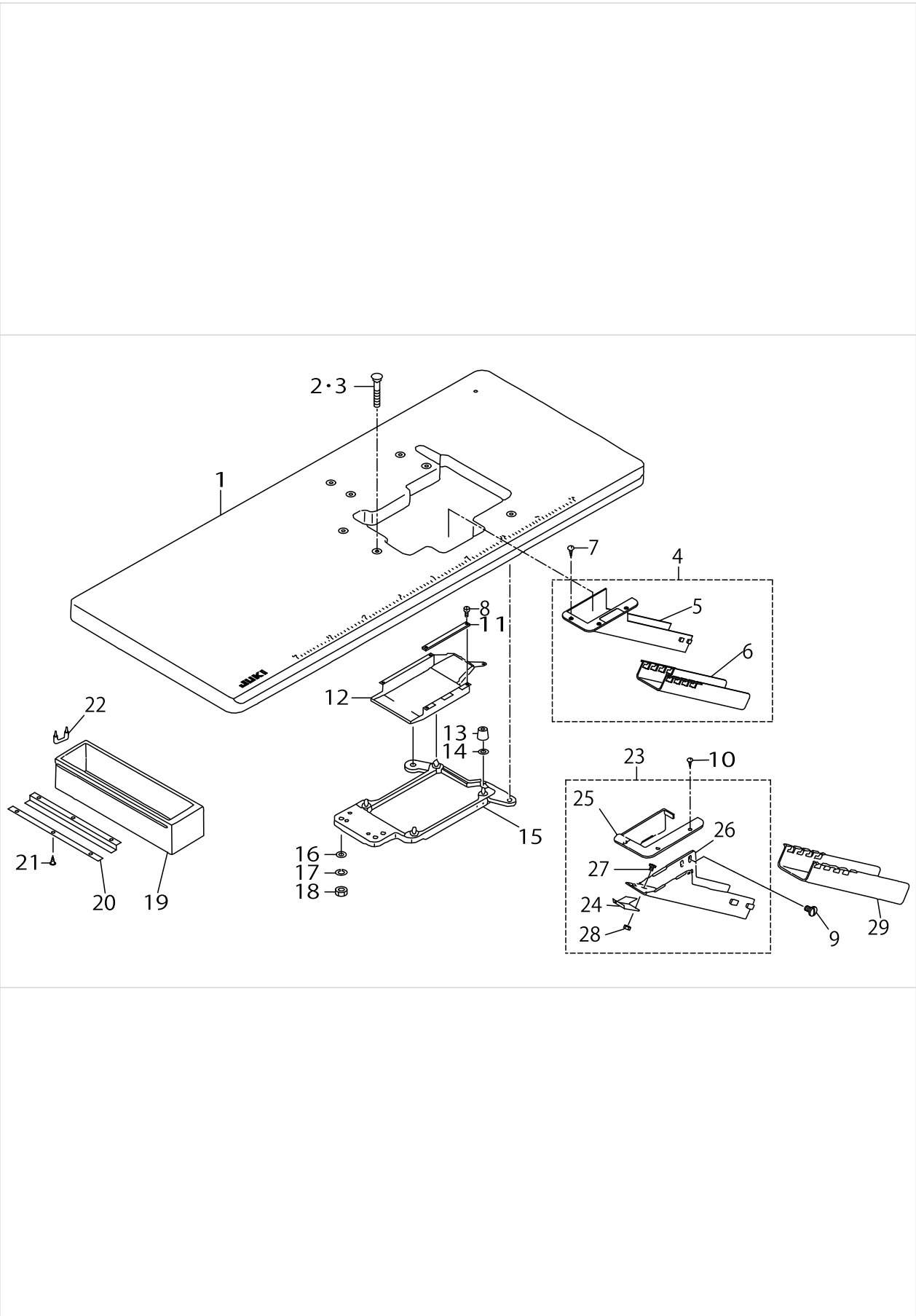
LUBRICATION MECHANISM COMPONENTS



LUBRICATION MECHANISM COMPONENTS

No.	Supply Code	Parts No.	Replacement	Parts name	Remarks	Choice	Step	Level	Cons	Qty	Rep. QTY
46		BT0500300EA		OIL TUBE						.17	
47		BT0500300EG		OIL TUBE						.35	
48		BT0500300EG		OIL TUBE						.29	
49		BT0500300EG		OIL TUBE						.03	
50		CQ202000000		OIL WICK						.06	
51		NS6110310SP		NUT 11/64-40						1	
52		NS6110310SP		NUT 11/64-40						1	
53	D	RO218240100		RUBBER RING						1	
54		SM4051601SC		SCREW M5X0.8 L=16						1	
55		SM4060801SE		SCREW						1	
56		SM6061802TP		SCREW M6 L=18						2	
57		SM8050402TP		SCREW						1	
58		SQ0000451MZ		CONNECTING SCREW						1	
59		SQ1110401MZ		CONNECTING SCREW						1	
60		SQ1110451MZ		CONNECTING SCREW						2	
61		SQ1110451MZ		CONNECTING SCREW						1	
62		SQ1110451MZ		CONNECTING SCREW						1	
63		SQ1150441SD		CONNECTING SCREW						1	

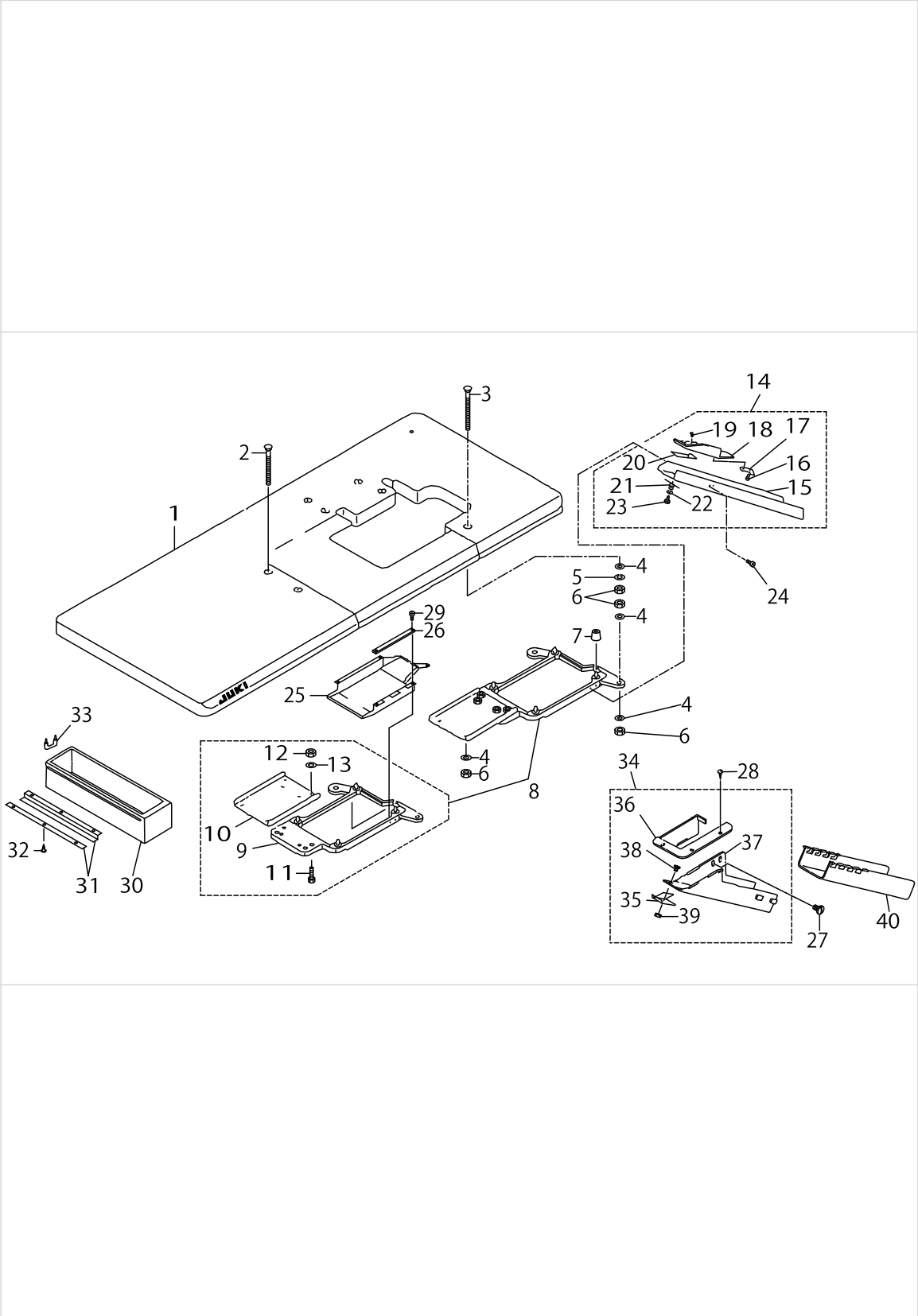
SEMI-SUNKEN TYPE TABLE COMPONENTS



SEMI-SUNKEN TYPE TABLE COMPONENTS

No.	Supply Code	Parts No.	Replacement	Parts name	Remarks	Choice	Step	Level	Cons	Qty	Rep. QTY
1		11959400		TABLE (SEMI-SUNKEN)						1	
2	R	11966702	13155007	BOLT A	FOR JAPAN					4	1.00
3	R	11571601	MAS10704000	BOLT A	FOR EXPORT					4	1.00
4		12341954		CLOTH WASTE CHUTE ASM.	EXCEPT JE					1	
5		12341905		CLOTH WASTE CHUTE(SEMI-SUNKEN)				*		1	
6		12341806		CLOTH WASTE CHUTE				*		1	
7		SK2351600SC		WOOD SCREW D=3.5 L=16	EXCEPT JE					3	
8	R	SS6090630SP	SS6090630TP	SCREW 9/64-40 L=6						5	1.00
9		SS5110710SP		SCREW 11/64-40 L=7	FOR JE					2	
10		SK2351600SC		WOOD SCREW D=3.5 L=16	FOR JE					3	
11	R	11850815	13161005	CASE SPONGE						1	1.00
12	R	11849411	13160908	COOLING FAN CASE						1	1.00
13	R	11571403	13155403	RUBBER CUSHION						4	1.00
14	R	11849601	13156500	SPACER						4	1.00
15	R	11849361	13161153	FRAME SUPPORT PLATE ASM.						1	1.00
16		WP1002036SE		WASHER 10X21X2						4	
17		WS1002560KR		SPRING WASHER 10X18X2.5						4	
18		NS6240630SE		NUT 3/8-18						4	
19	R	11155108	11155157	DRAWER						1	1.00
20		11155207		DRAWER SUPPORT						2	
21	D	SK3311500SC		WOOD SCREW D=3.1 L=15						6	
22		D8204555D00		DRAWER STOPPER						1	
23	D	12135554		CLOTH WASTE CHUTE ASM.	FOR JE					1	
24	D	12135505		CLOTH WASTE CHUTE SUPPORT				*		1	
25	R	11962800	13155759	CLOTH WASTE CHUTE INLET				*		1	1.00
26	R	11962909	13155759	CLOTH WASTE CHUTE, UPPER				*		1	1.00
27		SS5090610SP		SCREW 9/64-40 L=6				*		3	
28		NS6090310SP		NUT 9/64-40				*		3	
29	R	11960002	12341806	CLOTH WASTE CHUTE,LOWER(BENCH)	FOR JE					1	1.00

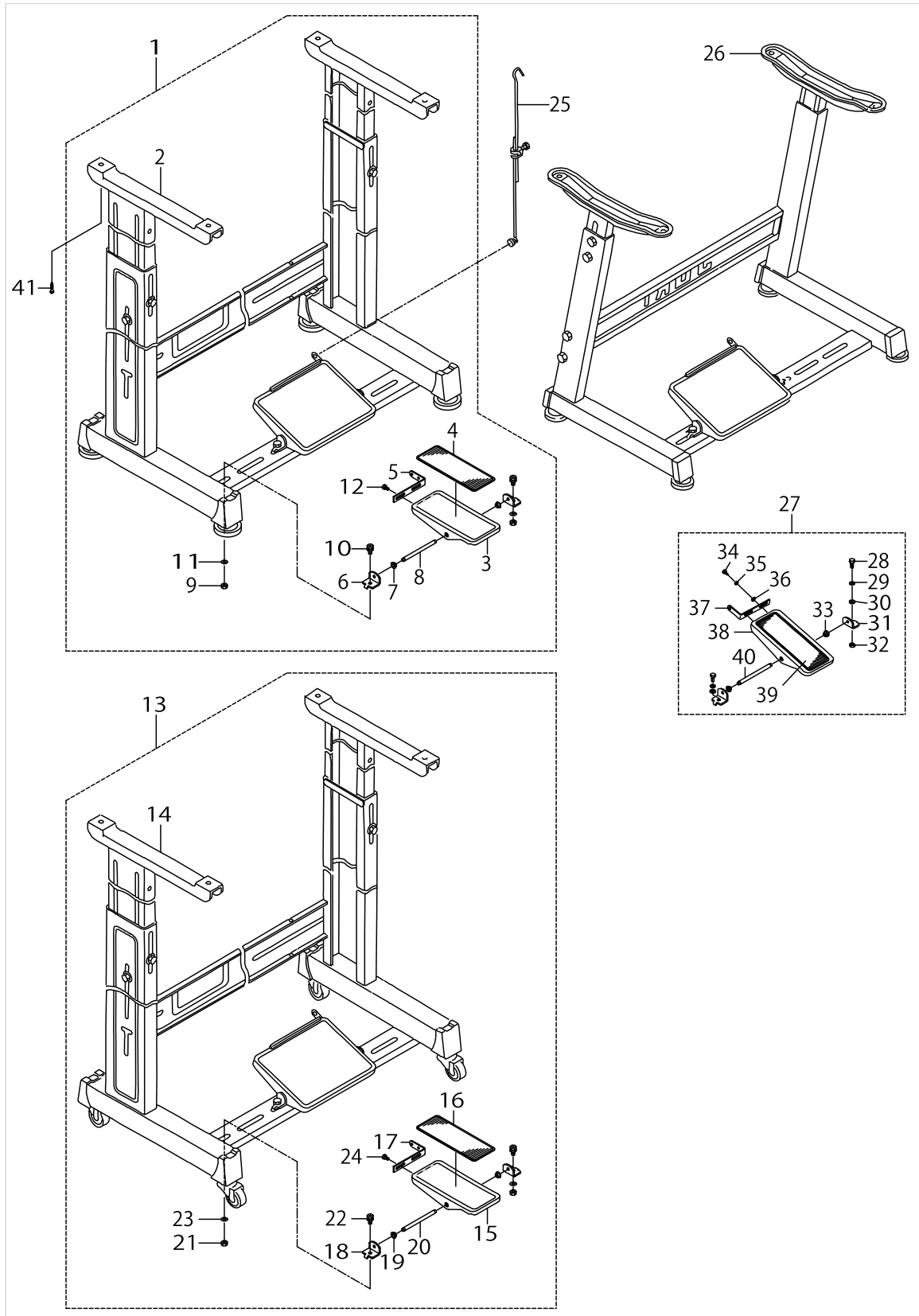
FULLY-SUNKEN TYPE TABLE COMPONENTS



FULLY-SUNKEN TYPE TABLE COMPONENTS

No.	Supply Code	Parts No.	Replacement	Parts name	Remarks	Choice	Step	Level	Cons	Qty	Rep. QTY
1		11959558		TABLE ASM.						1	
2	R	11571809	13155106	BOLT C						2	1.00
3	R	11571908	13155205	BOLT D						2	1.00
4		WP1002036SE		WASHER 10X21X2						12	
5		WS1002560KR		SPRING WASHER 10X18X2.5						4	
6		NS6240630SE		NUT 3/8-18						12	
7	R	11571403	13155403	RUBBER CUSHION						4	1.00
8		11849379		FRAME SUPPORT PLATE ASM.						1	
9	R	11849361	13161153	FRAME SUPPORT PLATE ASM.				*		1	1.00
10	R	11850906	13155304	FRAME SUPPORT A- UXILIARY PLATE				*		1	1.00
11		SM9082513CF		SCREW M8 L=25				*		4	
12		NM6080600SM		NUT M8				*		4	
13		WP0850002SC		WASHER 8.5X18X1.6				*		4	
14	R	11960259	13155858	CLOTH CHUTE ASM.	EXCEPT JE					1	1.00
15	D	11960200		CLOTH WASTE CHUTE				*		1	
16		ST60308210A		SCREW D=3-24 L=8				*		2	
17		11850401		CLOTH WASTE CHU- TE INLET LEVER				*		1	
18		11960309		CLOTH WASTE CHUTE HOLE				*		1	
19		SS6090420SP		SCREW 9/64-40 L=4.0				*		2	
20		11850609		RUBBER				*		1	
21		11850500		SPRING				*		1	
22		WP0370316SD		WASHER 3.7X8X0.3				*		1	
23		ST60308210A		SCREW D=3-24 L=8				*		1	
24		SS5110710SP		SCREW 11/64-40 L=7	EXCEPT JE					2	
25	R	11849411	13160908	COOLING FAN CASE						1	1.00
26	R	11850815	13161005	CASE SPONGE						1	1.00
27		SS5110710SP		SCREW 11/64-40 L=7	FOR JE					2	
28		SK2351600SC		WOOD SCREW D=3.5 L=16	FOR JE					3	
29	R	SS6090630SP	SS6090630TP	SCREW 9/64-40 L=6						5	1.00
30	R	11155108	11155157	DRAWER						1	1.00
31		11155207		DRAWER SUPPORT						2	
32	D	SK3311500SC		WOOD SCREW D=3.1 L=15						6	
33		D8204555D00		DRAWER STOPPER						1	
34	D	12135554		CLOTH WASTE CHUTE ASM.	FOR JE					1	
35	D	12135505		CLOTH WASTE CHUTE SUPPORT				*		1	
36	R	11962800	13155759	CLOTH WASTE CHUTE INLET				*		1	1.00
37	R	11962909	13155759	CLOTH WASTE CHUTE, UPPER				*		1	1.00
38		SS5090610SP		SCREW 9/64-40 L=6				*		3	
39		NS6090310SP		NUT 9/64-40				*		3	
40	R	11960002	12341806	CLOTH WASTE CHU- TE,LOWER(BENCH)	FOR JE					1	1.00

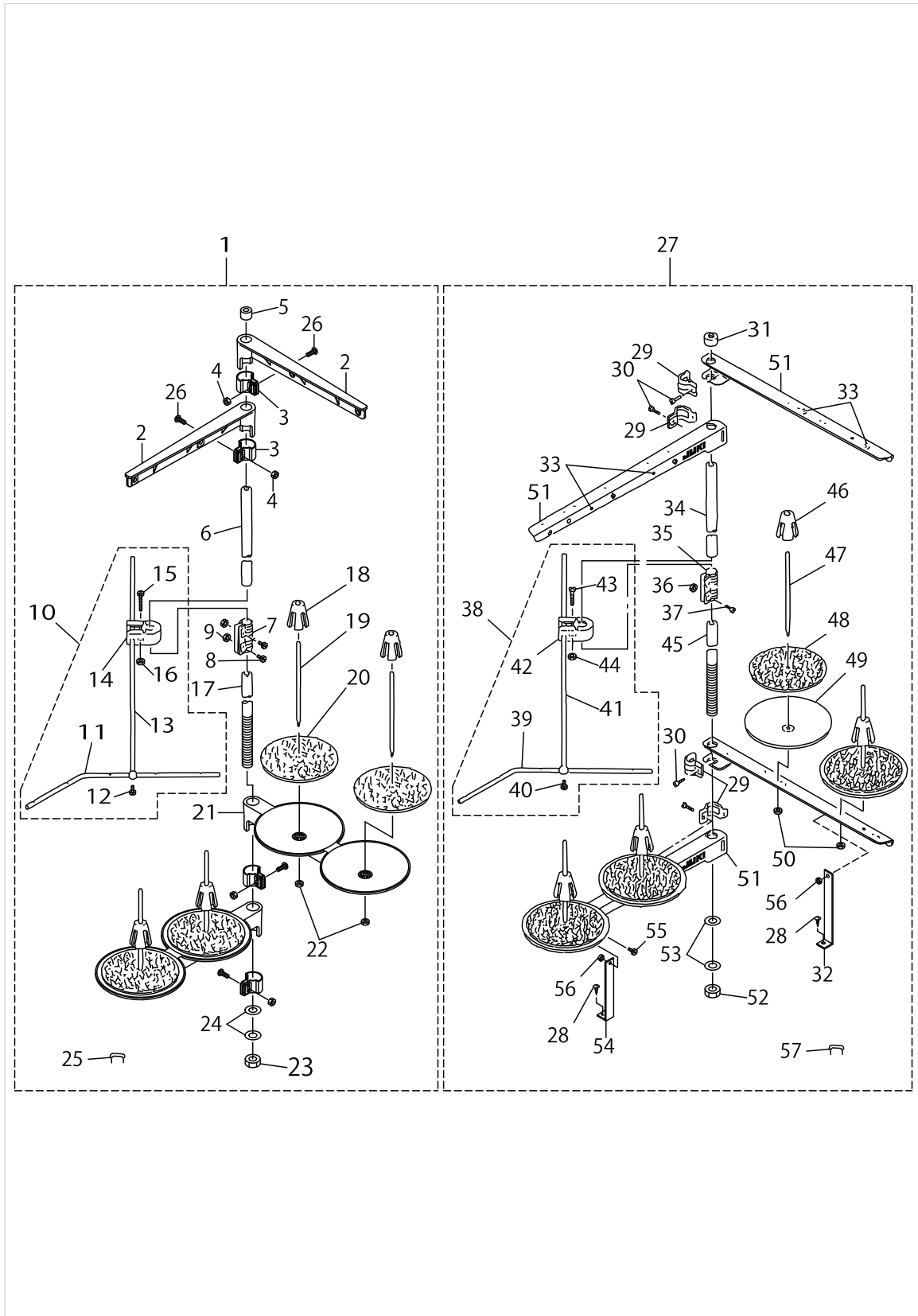
STAND COMPONENTS



STAND COMPONENTS

No.	Supply Code	Parts No.	Replacement	Parts name	Remarks	Choice	Step	Level	Cons	Qty	Rep. QTY
1		11960655		T STAND JUNCTION	FOR JAPAN					1	
2		11157567		T LEG JUNCTION				*		1	
3	R	GPF06060000	GPF060600A0	PEDAL				*		1	1.00
4		GPF06070000		PEDAL MAT				*		1	
5		GPF06080000		PEDAL ADJUSTING PLATE				*		1	
6		11159001		PEDAL SHAFT BRACKET				*		2	
7		D8113555B00		PEDAL BUSHING				*		2	
8		B8153771000		PEDAL CONNECTING ROD				*		1	
9		NM6080721SE		NUT M8				*		2	
10		SL9082091SE		WASHER HEXAGONAL BOLT				*		2	
11		WP0871602SE		WASHER 8.7X18X1.6				*		2	
12		SL9061291SE		WASHER HEXAGONAL BOLT M6 L=12				*		2	
13	R	11960754	11159407	T STAND JUNCTION(WITH CASTER)	SELECTIVE PART(FOR JAPAN)	A				1	4.00
13	R	11960754	11960655	T STAND JUNCTION(WITH CASTER)	SELECTIVE PART(FOR JAPAN)	A				1	1.00
14		11159365		T STAND JUNCTION				*		1	
15	R	GPF06060000	GPF060600A0	PEDAL				*		1	1.00
16		GPF06070000		PEDAL MAT				*		1	
17		GPF06080000		PEDAL ADJUSTING PLATE				*		1	
18		11159001		PEDAL SHAFT BRACKET				*		2	
19		D8113555B00		PEDAL BUSHING				*		2	
20		B8153771000		PEDAL CONNECTING ROD				*		1	
21		NM6080721SE		NUT M8				*		2	
22		SL9082091SE		WASHER HEXAGONAL BOLT				*		2	
23		WP0871602SE		WASHER 8.7X18X1.6				*		2	
24		SL9061291SE		WASHER HEXAGONAL BOLT M6 L=12				*		2	
25		B71140120A0		MOTOR CONNECTING ROD ASM.						1	
26	D	11151065		Z LEG JUNCTION (B)	FOR EXPORT					1	
27	D	B81517710A0		PEDAL ASM.	FOR EXPORT					1	
28		SM9082023SE		SCREW M8 L=20				*		2	
29		WS0861410KR		SPRING WASHER 8.6X15X1.4				*		2	
30		WP0871602SE		WASHER 8.7X18X1.6				*		4	
31		D8114555B0E		PEDAL SHAFT BRACKET				*		2	
32		NM6080721SE		NUT M8				*		2	
33		D8113555B00		PEDAL BUSHING				*		2	
34		SM9061203SE		SCREW M6 L=12				*		2	
35		WS0621210KR		SPRING WASHER 6.2X11.4X1.2				*		2	
36		WP0671016SE		WASHER 6.7X13X1				*		2	
37		D8125772B00		PEDAL ADJUSTING PLATE				*		1	
38	D	B8151771000		PEDAL				*		1	
39		B8152771000		PEDAL MAT				*		1	
40		B8153771000		PEDAL CONNECTING ROD				*		1	
41	R	SK3513200SC	SK3513201SE	WOOD SCREW D=5.1 L=32						4	1.00

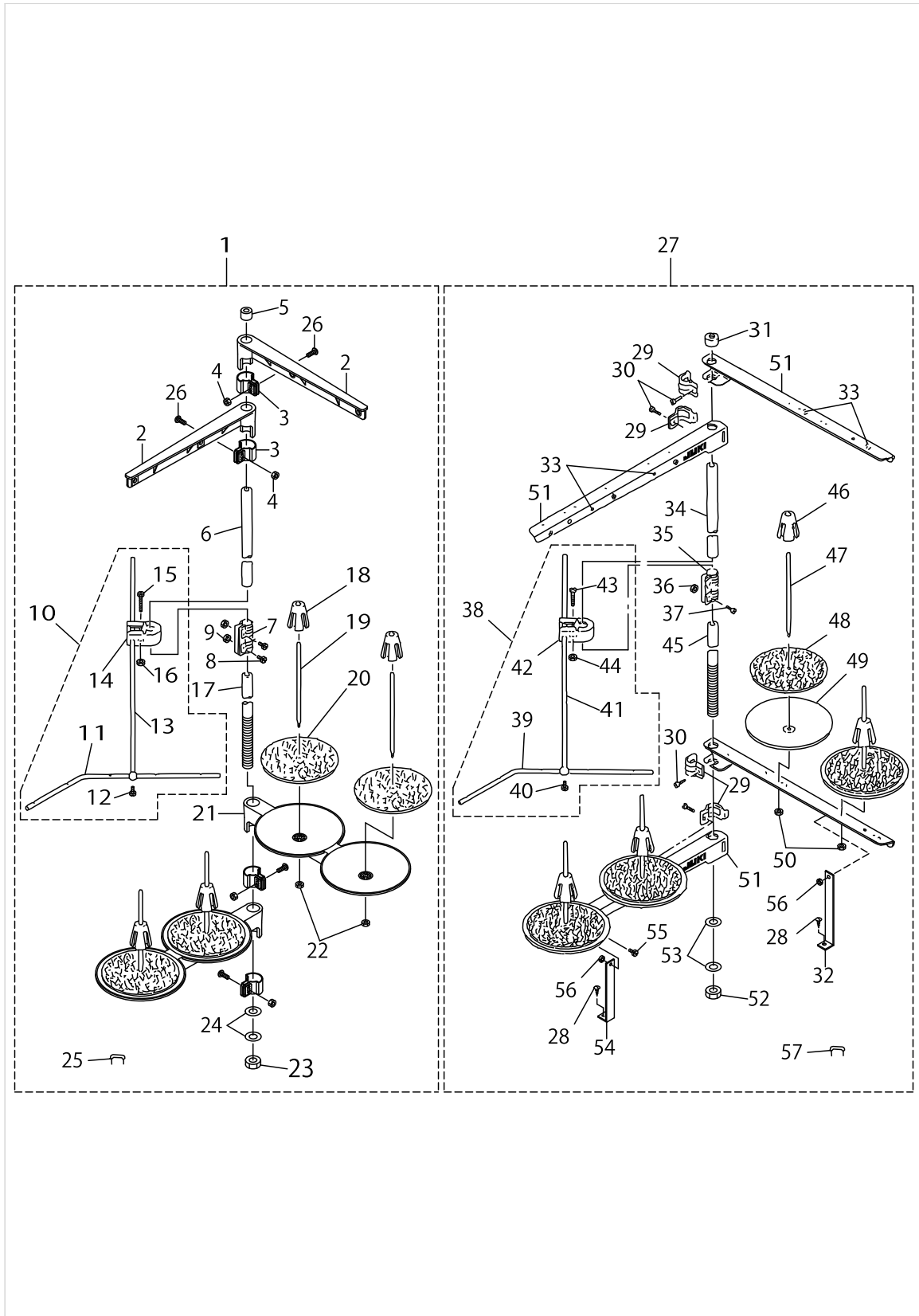
THREAD STAND COMPONENTS(FOR MOR-3904,3904E,3914,3914E)



THREAD STAND COMPONENTS(FOR MOR-3904,3904E,3914,3914E)

No.	Supply Code	Parts No.	Replacement	Parts name	Remarks	Choice	Step	Level	Cons	Qty	Rep. QTY
1	R	11969458	40106584	THREAD STANDING DEVICE ASM.	EXCEPT JE					1	1.00
2	R	11185352	40096354	THREAD GUIDE ASM.				*		2	1.00
3	R	11185402	40096354	THREAD GUIDE ARM JOINT				*		4	1.00
4		NM6050001SE		NUT M5				*		4	
5	R	B3311704000	22931406	SPOOL REST ROD CAP				*		1	1.00
6	R	11185204	40096354	SPOOL REST ROD,UPPER				*		1	1.00
7	R	B3305704000A	40096354	SPOOL REST ROD JOINT				*		1	1.00
8		SM4051405SE		SCREW M5 L=14				*		2	
9		NM6050001SE		NUT M5				*		2	
10	R	B33097040A0	26910059	THREAD GUIDE ARM ASM.				*		1	1.00
11	R	B3311804000	26910059	LOWER THREAD GUIDE				*		1	1.00
12		SS7110540SP		SCREW 11/64-40 L=5				*		1	
13	R	B3309704000	26910059	THREAD GUIDE ARM				*		1	1.00
14	D	B3304704000A		THREAD GUIDE ARM HOLDER				*		1	
15	D	SM6053000SE		SCREW M5X0.8 L=30				*		1	
16		NM6050001SE		NUT M5				*		1	
17	R	11185105	40096354	SPOOL REST ROD,LOWER				*		1	1.00
18	D	11185501		SPOOL RETAINER				*		4	
19	R	B3320704L00A	40085790	SPOOL PIN				*		4	1.00
20	D	B3311012000		SPOOL REST CUSHION				*		4	
21	D	11185006		SPOOL REST ARM				*		2	
22		NM6050001SE		NUT M5				*		4	
23	R	B3317704000	NM6160511SE	NUT				*		1	1.00
24		WP1612616SE		WASHER 16X30X2.6				*		2	
25		MAO11532000		CORD STAPLE				*		3	
26		SM4051405SE		SCREW M5 L=14				*		4	
27	R	11969953	40106587	THREAD STANDING DEVICE ASM.	SPECIAL ORDER PART FOR LARGE SPOOL THREAD STAND (FOR JE)					1	1.00
28		SK3382001SE		SCREW D=3.8 L=20				*		2	
29		B3318704L00A		THREAD GUIDE ARM JOINT				*		4	
30		SM6061610SC		SCREW M6 L=16				*		4	
31	R	B3311704000	22931406	SPOOL REST ROD CAP				*		1	1.00
32	D	B3321704LOB		SPOOL REST ARM SUPPORT, B				*		1	
33	R	B3319704L00	22931208	THREAD GUIDE				*		4	1.00
34	R	11185204	40096354	SPOOL REST ROD,UPPER				*		1	1.00
35	R	B3305704000A	40096354	SPOOL REST ROD JOINT				*		1	1.00
36		NM6050001SE		NUT M5				*		2	
37		SM4051405SE		SCREW M5 L=14				*		2	
38	R	B33097040A0	26910059	THREAD GUIDE ARM ASM.				*		1	1.00
39	R	B3311804000	26910059	LOWER THREAD GUIDE				*		1	1.00
40		SS7110540SP		SCREW 11/64-40 L=5				*		1	
41	R	B3309704000	26910059	THREAD GUIDE ARM				*		1	1.00
42	D	B3304704000A		THREAD GUIDE ARM HOLDER				*		1	
43	D	SM6053000SE		SCREW M5X0.8 L=30				*		1	

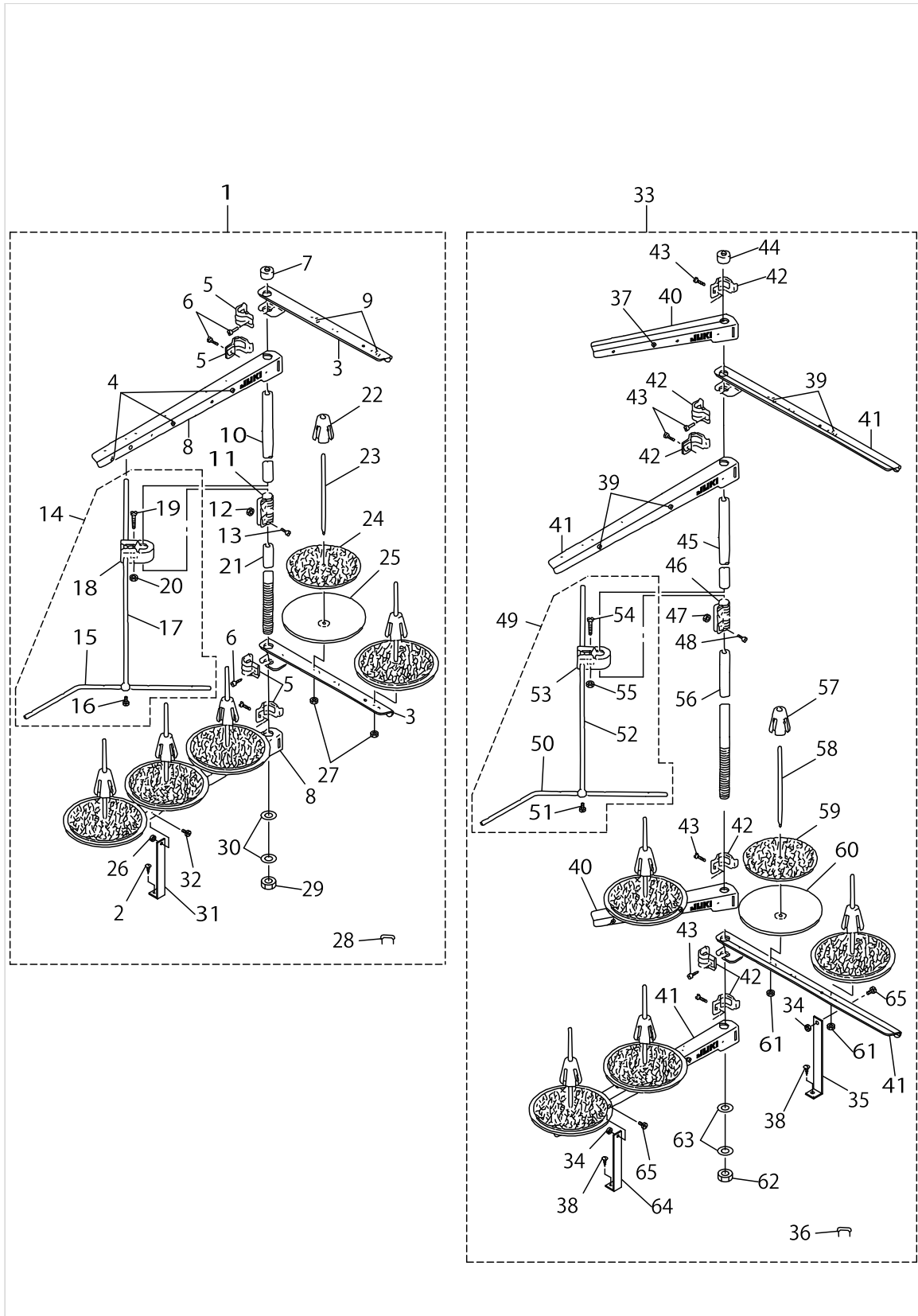
THREAD STAND COMPONENTS(FOR MOR-3904,3904E,3914,3914E)



THREAD STAND COMPONENTS(FOR MOR-3904,3904E,3914,3914E)

No.	Supply Code	Parts No.	Replacement	Parts name	Remarks	Choice	Step	Level	Cons	Qty	Rep. QTY
44		NM6050001SE		NUT M5				*		1	
45	R	11185105	40096354	SPOOL REST ROD,LOWER				*		1	1.00
46	D	11185501		SPOOL RETAINER				*		4	
47	R	B3320704L00A	40085790	SPOOL PIN				*		4	1.00
48	D	B3311012000		SPOOL REST CUSHION				*		4	
49	R	11966504	22930804	SPOOL REST				*		4	1.00
50		NM6050001SE		NUT M5				*		4	
51	R	11969508	13168802	SPOOL REST ARM A				*		4	1.00
52	R	B3317704000	NM6160511SE	NUT				*		1	1.00
53		WP1612616SE		WASHER 16X30X2.6				*		2	
54		B3321704L00		SPOOL REST ARM SUPPORT, A				*		1	
55		SM4061201SE		SCREW M6 L=12				*		2	
56		NM6060001SE		NUT M6				*		2	
57		MAO11532000		CORD STAPLE				*		3	

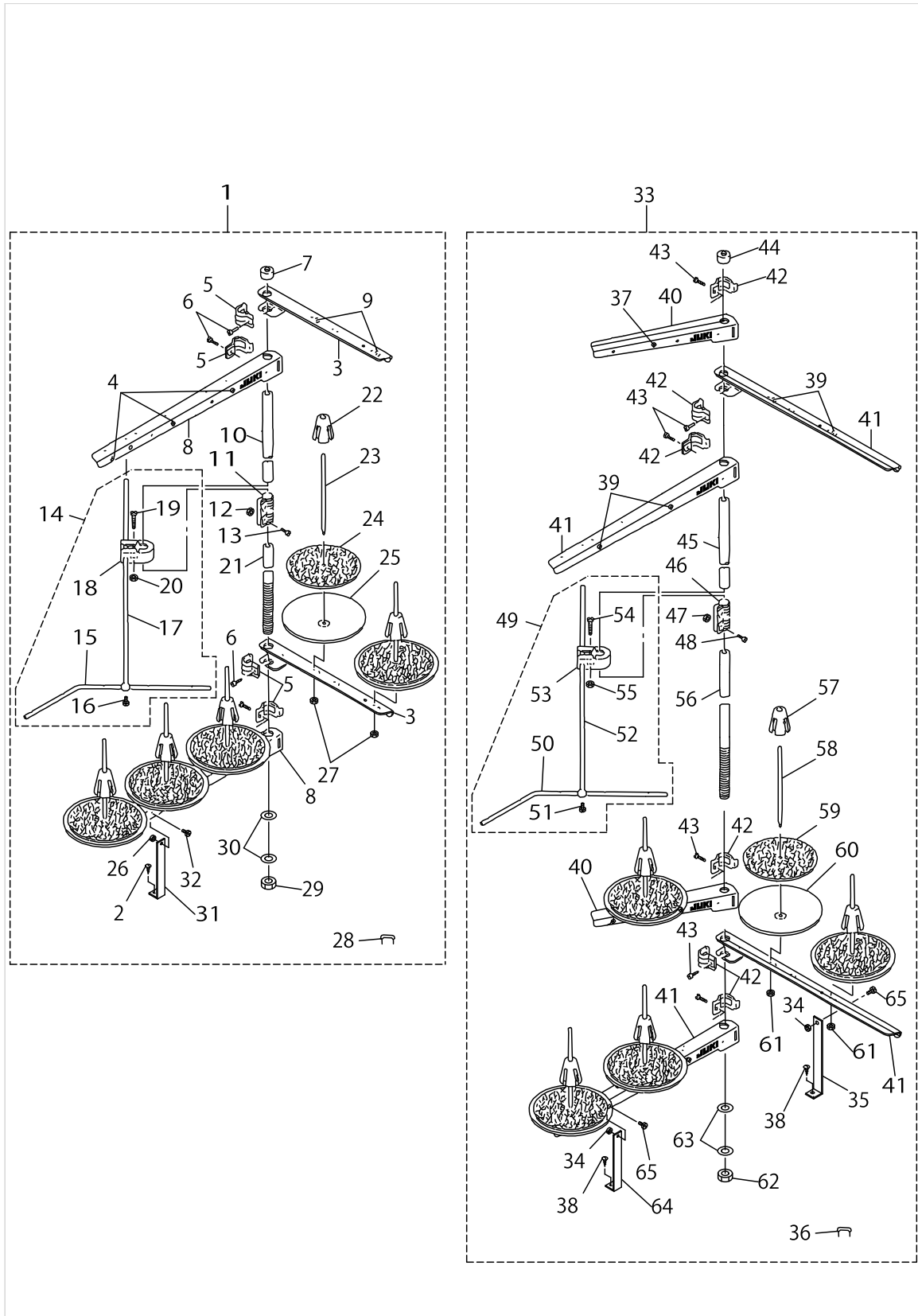
THREAD STAND COMPONENTS(FOR MOR-3916,3916E)



THREAD STAND COMPONENTS(FOR MOR-3916,3916E)

No.	Supply Code	Parts No.	Replacement	Parts name	Remarks	Choice	Step	Level	Cons	Qty	Rep. QTY
1	R	11969557	40106585	THREAD STANDING DEVICE ASM.	EXCEPT JE					1	1.00
2		SK3382001SE		SCREW D=3.8 L=20				*		1	
3	D	11969409		THREAD GUIDEARM B				*		2	
4	R	B3319704L00	22931208	THREAD GUIDE				*		3	1.00
5		B3318704L00A		THREAD GUIDE ARM JOINT				*		4	
6		SM6061610SC		SCREW M6 L=16				*		4	
7	R	B3311704000	22931406	SPOOL REST ROD CAP				*		1	1.00
8	R	11969508	13168802	SPOOL REST ARM A				*		2	1.00
9	R	B3319704L00	22931208	THREAD GUIDE				*		2	1.00
10	R	11185204	40096354	SPOOL REST ROD,UPPER				*		1	1.00
11	R	B3305704000A	40096354	SPOOL REST ROD JOINT				*		1	1.00
12		NM6050001SE		NUT M5				*		2	
13		SM4051405SE		SCREW M5 L=14				*		2	
14	R	B33097040A0	26910059	THREAD GUIDE ARM ASM.				*		1	1.00
15	R	B3311804000	26910059	LOWER THREAD GUIDE				*		1	1.00
16		SS7110540SP		SCREW 11/64-40 L=5				*		1	
17	R	B3309704000	26910059	THREAD GUIDE ARM				*		1	1.00
18	D	B3304704000A		THREAD GUIDE ARM HOLDER				*		1	
19	D	SM6053000SE		SCREW M5X0.8 L=30				*		1	
20		NM6050001SE		NUT M5				*		1	
21	R	11185105	40096354	SPOOL REST ROD,LOWER				*		1	1.00
22	D	11185501		SPOOL RETAINER				*		5	
23	R	B3320704L00A	40085790	SPOOL PIN				*		5	1.00
24	D	B3311012000		SPOOL REST CUSHION				*		5	
25	R	11966504	22930804	SPOOL REST				*		5	1.00
26		NM6060001SE		NUT M6				*		1	
27		NM6050001SE		NUT M5				*		5	
28		MAO11532000		CORD STAPLE				*		3	
29	R	B3317704000	NM6160511SE	NUT				*		1	1.00
30		WP1612616SE		WASHER 16X30X2.6				*		2	
31		B3321704L00		SPOOL REST ARM SUPPORT, A				*		1	
32		SM4061201SE		SCREW M6 L=12				*		1	
33	R	11970050	40106588	THREAD STANDING DEVICE ASM.	SPECIAL ORDER PART FOR LARGE SPOOL THREAD STAND (FOR JE)					1	1.00
34		NM6060001SE		NUT M6				*		2	
35	D	B3321704LOB		SPOOL REST ARM SUPPORT, B				*		1	
36		MAO11532000		CORD STAPLE				*		3	
37	R	B3319704L00	22931208	THREAD GUIDE				*		1	1.00
38		SK3382001SE		SCREW D=3.8 L=20				*		2	
39	R	B3319704L00	22931208	THREAD GUIDE				*		4	1.00
40	D	11969409		THREAD GUIDEARM B				*		2	
41	R	11969508	13168802	SPOOL REST ARM A				*		4	1.00
42		B3318704L00A		THREAD GUIDE ARM JOINT				*		6	
43		SM6061610SC		SCREW M6 L=16				*		6	

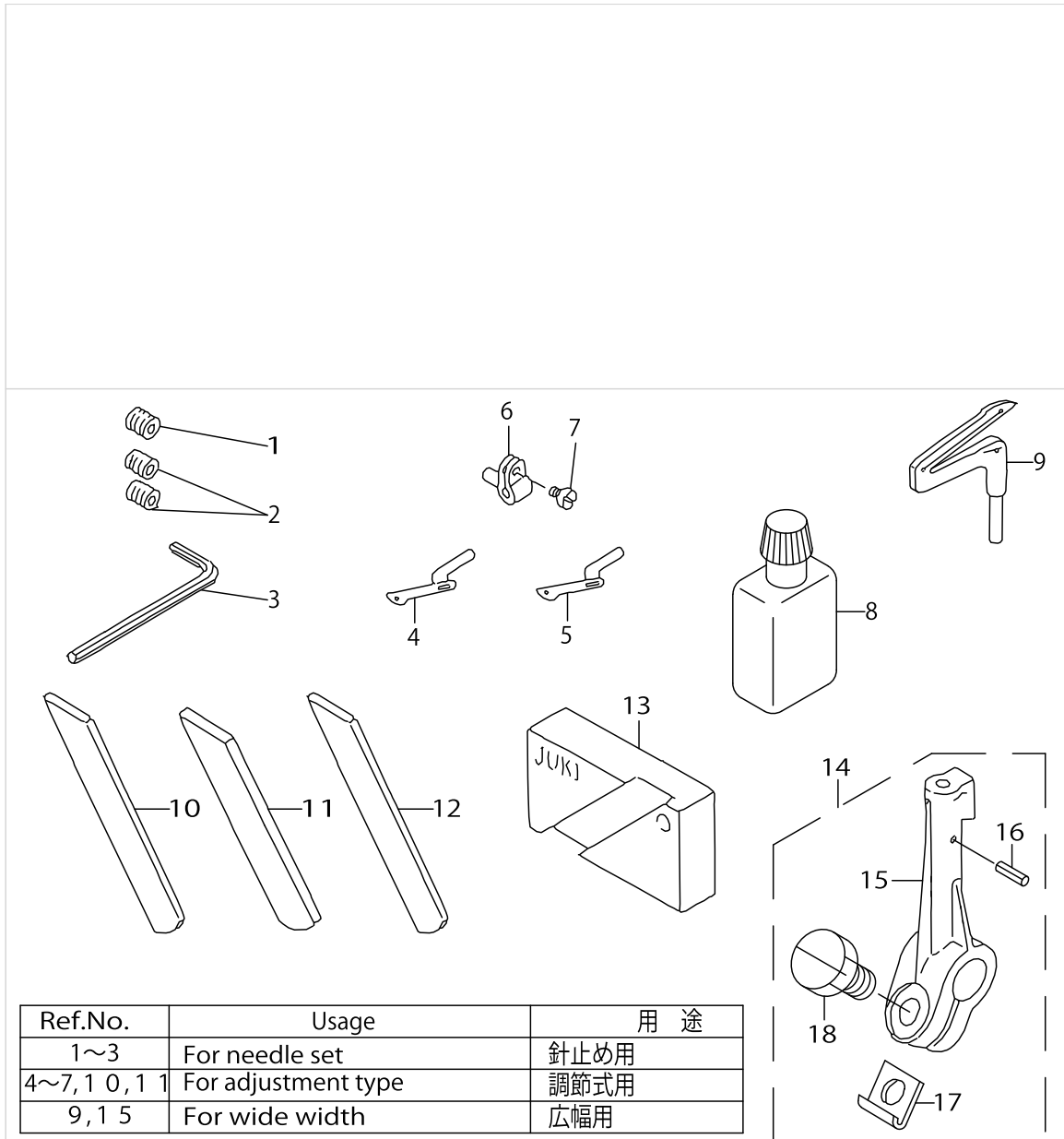
THREAD STAND COMPONENTS(FOR MOR-3916,3916E)



THREAD STAND COMPONENTS(FOR MOR-3916,3916E)

No.	Supply Code	Parts No.	Replacement	Parts name	Remarks	Choice	Step	Level	Cons	Qty	Rep. QTY
44	R	B3311704000	22931406	SPOOL REST ROD CAP				*		1	1.00
45	R	11185204	40096354	SPOOL REST ROD,UPPER				*		1	1.00
46	R	B3305704000A	40096354	SPOOL REST ROD JOINT				*		1	1.00
47		NM6050001SE		NUT M5				*		2	
48		SM4051405SE		SCREW M5 L=14				*		2	
49	R	B33097040A0	26910059	THREAD GUIDE ARM ASM.				*		1	1.00
50	R	B3311804000	26910059	LOWER THREAD GUIDE				*		1	1.00
51		SS7110540SP		SCREW 11/64-40 L=5				*		1	
52	R	B3309704000	26910059	THREAD GUIDE ARM				*		1	1.00
53	D	B3304704000A		THREAD GUIDE ARM HOLDER				*		1	
54	D	SM6053000SE		SCREW M5X0.8 L=30				*		1	
55		NM6050001SE		NUT M5				*		1	
56	R	11185105	40096354	SPOOL REST ROD,LOWER				*		1	1.00
57	D	11185501		SPOOL RETAINER				*		5	
58	R	B3320704L00A	40085790	SPOOL PIN				*		5	1.00
59	D	B3311012000		SPOOL REST CUSHION				*		5	
60	R	11966504	22930804	SPOOL REST				*		5	1.00
61		NM6050001SE		NUT M5				*		5	
62	R	B3317704000	NM6160511SE	NUT				*		1	1.00
63		WP1612616SE		WASHER 16X30X2.6				*		2	
64		B3321704L00		SPOOL REST ARM SUPPORT, A				*		1	
65		SM4061201SE		SCREW M6 L=12				*		2	

SPECIAL ORDER PARTS COMPONENTS



SPECIAL ORDER PARTS COMPONENTS

No.	Supply Code	Parts No.	Replacement	Parts name	Remarks	Choice	Step	Level	Cons	Qty	Rep. QTY
1		SS8080322TP		SCREW 1/8-44 L=3.2						1	
2		SS8080322TP		SCREW 1/8-44 L=3.2						2	
3		B9112804000		SPANNER						1	
4		B2519804000		UPPER LOOPER						1	
5		B2519814000		UPPER LOOPER						1	
6		11544707		UPPER LOOPER SUPPORT ARM						1	
7		SS6080410SP		SCREW 1/8-44 L=4						1	
8	D	B91351230B0		SILICON OIL LUBRICANT ASM. (30						1	
9		B2521804000		LOWER LOOPER						1	
10		11847605		LOWER KNIFE						1	
11		11992005		LOWER KNIFE						1	
12		11964509		CERAMIC LOWER KNIFE						1	
13		11996907		LOWER KNIFE GAUGE						1	
14		12123758		LOWER LOOPER SUPPORT ARM ASM.						1	
15		12123709		LOWER LOOPER SUPPORT ARM				*		1	
16		PS0300062KH		SPRING PIN 3X6				*		1	
17	R	B2531704000	13129309	WASHER				*		1	1.00
18		SS9151210TP		SCREW 15/64-28 L=11.8				*		1	

LIST FOR INFORMATION OF CHANGE

As to the place changed, refer to the corresponding Rev.No.
 When previous parts(Obsoleted part)and new parts(Added parts)are
 not interchangeable with each other:
 In this case,even obsoleted parts(D.)can be ordered with the
 obsoleted part number,so select the parts with changed dates and
 place your orders.

変更箇所は、該当Rev.No.版をご参照ください。
 部品の互換性がない変更の場合は、削除された品番でも、ご注文できます。

29191806
 No.1105-03・・・Rev.No.

*A:Added parts追加部品/D:Obsoleted parts削除部品/E:Erratum訂正

* Rev. No.	Page 頁	Ref. No.	Parts No. 品番	* Rev. No.	Page 頁	Ref. No.	Parts No. 品番
D 02	4	8	121-01960				
D 02	4	12	CM-5002000-01				
D 02	4	13	CM-5002000-01				
D 02	6	22	SS-7111810-TP				
D 02	6	23	121-22107				
D 02	6	24	SS-7111410-TP				
D 02	6	25	121-22313				
D 02	6	26	SM-6061202-TP				
D 02	6	29	SS-7111810-TP				
D 02	6	30	121-22107				
D 02	6	31	SS-7111410-TP				
D 02	6	32	121-23311				
D 02	6	33	SM-6061202-TP				
D 02	6	35	SS-7111810-TP				
D 02	6	36	121-22107				
D 02	6	37	SS-7111410-TP				
D 02	6	38	121-20101				
D 02	6	45	121-07801	A 03	6	45	122-80103
D 02	8	26	SM-8040602-TP	A 03	8	26	SM-8040612-TP
D 02	8	52	121-12207	A 03	8	52	123-03806
D 02	18	49	121-23667	A 03	18	49	121-23659
D 02	26	11	118-04408	A 03	26	11	122-88908
D 02	31	4	119-60150	A 03	31	4	123-41954
D 02	31	5	119-60101	A 03	31	5	123-41905
D 02	31	6	119-60002	A 03	31	6	123-41806
D 02	31	16	WP-1102016-SC	A 03	31	16	WP-1002036-SE
D 02	31	18	NS-6240630-SN	A 03	31	18	NS-6240630-SE
D 02	32	4	WP-1102016-SC	A 03	32	4	WP-1002036-SE
D 02	32	6	NS-6240630-SN	A 03	32	6	NS-6240630-SE

HOW TO MAKE USE OF THIS PARTS LIST

1.Explanation of codes

1)"*"mark.....means this part is changed from the previous parts book.

As to the details of the change, refer to the "List for information of change".

2)"#01".....refer to "Note" explanation at bottom of page.

2.Codes on the "Qty" column

• Each numeral indicates the number of parts required.

• "0.1" and "2.5" indicate the length (in meters) of the respective parts.

3.Parentheses mean that the corresponding part is a subpart that constructs an assembly part.

4.Dotted lines on the Figures indicate assembly parts.

1."注記"欄の記号説明

1) "*"印.....前回のパーツブックに比較して今回変更された部品を意味します。

変更内容は、"変更情報リスト"を参照してください。

2) "#01".....ページ下の"注記"の説明を参照してください。

2.数量欄の数字は、個数を表し、0.1、2.5等の数値は、長さ（単位メートル）を表します。

3.数量欄の（ ）は、組部品を構成している子部品であることを意味します。

4.イラストページの-----枠は、組構成であることを意味します。

NUMERICAL INDEX OF PARTS

PART NO	PAGE	REF NO.	PART NO	PAGE	REF NO.	PART NO	PAGE	REF NO.
10004109	6	14	11566809	26	28	11827607	24	47
10126803	60	32	11566809	56	13	11827904	24	51
11151065	68	26	11571403	64	13	11828050	22	10
11155108	64	19	11571403	66	7	11828308	24	53
11155108	66	30	11571601	64	2・3	11828514	22	33
11155207	64	20	11571809	66	2	11828563	22	29
11155207	66	31	11571908	66	3	11828605	22	37
11157567	68	2	11598000	56	22	11828704	18	39
11159001	68	18	11802006	54	36	11829751	40	3
11159365	68	14	11802204	2	16	11829801	40	23
11185006	70	21	11802402	2	17	11831708	36	23
11185105	70	45	11803004	2	43	11831757	34	21
11185105	72	45	11804309	2	31	11831807	36	40
11185105	74	56	11805207	6	28	11831906	36	39
11185105	76	56	11806304	52	16	11833100	36	53
11185204	70	34	11811619	10	36	11833308	34	19
11185204	74	45	11819109	46	36	11833407	36	47
11185204	76	45	11819208	46	37	11833506	36	35
11185352	70	2	11819315	46	35	11840303	60	8
11185402	70	3	11823606	18	12~15	11843208	60	33
11185501	70	46	11823606	56	1~4	11845500	56	29
11185501	72	46	11823705	18	12~15	11845609	56	17
11185501	74	57	11823705	56	1~4	11845708	56	19
11185501	76	57	11823804	14	11	11845807	56	23
11500808	6	2	11823804	18	12~15	11845906	56	30
11501301	2	9	11823804	56	1~4	11846003	54	39
11503703	6	36	11823903	18	12~15	11846607	52	18
11503810	6	44	11823903	56	1~4	11846805	54	37
11503885	6	41	11824018	18	4	11847100	54	41
11503919	6	40	11824067	18	1	11847605	78	10
11510609	10	30	11824109	18	8	11847902	54	38
11517000	34	22	11824505	22	1	11848405	56	27
11529005	24	54	11824653	22	6	11849361	64	15
11529005	30	24	11824703	24	49	11849361	66	9
11529914	22	8	11825304	22	30	11849379	66	8
11530110	18	2	11825858	22	36	11849411	64	12
11539012	40	19	11825908	24	60	11849411	66	25
11539061	40	18	11826005	24	67	11849601	64	14
11544707	78	6	11826005	30	25	11850401	66	17
11550308	48	13	11826104	24	59	11850500	66	21
11550803	48	12	11826104	30	26	11850609	66	20
11550852	48	6	11826203	24	69	11850815	64	11
11565504	56	26	11826203	30	27	11850815	66	26
11565702	56	24	11826310	22	27	11850906	66	10
11565801	56	12	11826401	22	31	11855905	58	3

NUMERICAL INDEX OF PARTS

PART NO	PAGE	REF NO.	PART NO	PAGE	REF NO.	PART NO	PAGE	REF NO.
11855954	58	1	11960002	66	40	12102208	52	20
11855970	58	2	11960200	66	15	12102307	2	33
11856002	58	16	11960259	66	14	12102406	2	34
11856051	58	14	11960309	66	18	12102752	2	2
11856077	58	15	11960655	68	1	12102810	52	27
11856101	58	17	11960754	68	13	12102950	54	35
11856200	58	18	11962800	64	25	12103107	52	33
11856309	58	20	11962800	66	36	12103206	4	50
11856408	58	23	11962909	64	26	12103305	2	20
11856507	58	24	11962909	66	37	12103404	4	47
11882107	22	12	11964509	78	12	12103511	4	54
11882800	22	14	11966504	72	49	12103602	52	23
11887106	22	16	11966504	74	60	12103701	52	22
11887403	22	17	11966504	76	60	12104550	2	8
11888104	36	33	11966702	64	2-3	12104907	8	47
11890001	36	55	11969409	74	40	12105201	8	48
11890100	54	42	11969458	70	1	12105359	2	1
11890308	54	45	11969508	72	51	12105458	2	7
11898400	30	28	11969508	74	41	12107611	10	37
11913407	26	29	11969557	74	1	12107702	10	33
11914405	26	30	11969953	70	27	12107900	10	22
11918109	60	10	11970050	74	33	12108007	10	8
11925104	44	9	11991502	22	3	12108106	10	9
11925914	44	13-14	11991601	34	16	12108213	10	1
11926300	44	13-14	11991809	36	41	12108304	10	4
11930500	44	11-12	11992005	78	11	12108403	10	5
11930609	44	11-12	11996907	78	13	12109104	10	16
11930708	44	20	11999208	36	34	12109153	10	15
11930807	44	21	11999307	36	57	12109211	14	13
11930906	44	8	12015301	54	46	12109260	14	12
11931706	44	22	12015400	54	47	12109302	14	5
11932068	44	4-5	12100301	6	20	12109500	14	8
11932456	44	4-5	12100418	6	1	12109617	14	2
11936614	28	60	12100517	6	18	12109666	14	1
11936804	28	61	12100608	6	3	12109906	14	17
11948601	18	5	12100806	6	5	12109955	14	15
11949005	2	14	12101200	2	45	12110219	14	23
11949104	2	15	12101309	2	42	12110607	16	39
11949807	22	13	12101408	4	51	12110706	16	43
11949906	22	23	12101515	2	39	12110805	16	41
11951100	2	30	12101804	6	15	12110904	16	40
11956505	10	41	12101903	6	10	12111209	14	27
11959400	64	1	12101952	6	7	12111308	14	29
11959558	66	1	12102000	6	33	12111407	14	30
11960002	64	29	12102109	6	35	12111803	14	31

NUMERICAL INDEX OF PARTS

PART NO	PAGE	REF NO.	PART NO	PAGE	REF NO.	PART NO	PAGE	REF NO.
12111902	14	33	12121208	48	24	12127064	48	34
12112009	14	34	12121307	48	26	12127403	50	59
12112108	14	35	12121513	40	32	12127502	50	60
12112306	16	53	12121554	40	31	12127601	50	61
12113205	46	24	12121612	40	25	12127700	50	62
12113817	46	32	12122008	40	27	12127809	50	63
12114609	46	15	12122362	10	24	12127957	50	64
12114807	46	42	12122404	34	5	12128203	50	66
12114906	46	18	12122511	34	4	12128302	50	67
12115903	46	41	12122610	34	1	12129706	60	34
12116117	18	36	12122701	36	27	12130100	60	35
12116174	18	25	12122750	36	26	12130209	60	36
12116216	18	35	12122800	36	30	12130308	60	37
12116307	18	33	12122859	36	29	12130407	60	38
12116406	18	34	12122909	34	12	12130506	60	39
12116505	18	40	12123006	34	9	12130605	60	40
12116703	18	41	12123063	34	7	12130704	60	41
12116703	30	29	12123105	34	10	12130803	60	42
12117107	20	46	12123162	34	8	12132106	10	12
12117206	18	16	12123212	34	11	12132155	10	11
12117305	18	23	12123360	10	25	12132502	56	7
12117412	22	21	12123410	38	68	12132619	52	19
12117461	22	19	12123501	38	63	12132700	52	24
12117511	22	20	12123550	38	62	12132809	52	30
12118501	20	43	12123659	36	49	12132908	52	28
12118600	18	38	12123709	78	15	12133005	52	31
12118709	24	70	12123758	78	14	12133104	52	26
12118808	18	26	12123808	36	45	12133211	52	15
12118907	18	24	12123907	36	43	12133302	56	16
12119400	24	46	12124004	36	36	12133401	56	20
12119509	24	50	12124103	36	59	12133658	52	13·14
12119608	22	42	12124301	34	13	12133666	52	13·14
12119756	22	40	12124400	10	28	12133708	52	32
12119806	22	41	12124509	10	27	12135505	64	24
12119905	24	43	12124608	38	61	12135505	66	35
12120002	24	44	12126108	50	75	12135554	64	23
12120150	10	26	12126207	48	31	12135554	66	34
12120416	40	14	12126405	50	56~58	12138152	58	29
12120465	40	13	12126504	50	65	12138301	58	30
12120507	40	17	12126702	50	44~46	12138400	58	28
12120705	40	29	12126819	48	35~37	12147203	2	36
12120804	48	17	12126868	48	33	12147807	2	37
12120903	48	14	12126918	48	35~37	12148607	14	18
12121000	48	16	12126967	48	32	12148706	14	19
12121109	48	18	12127015	48	35~37	12149803	14	20

NUMERICAL INDEX OF PARTS

PART NO	PAGE	REF NO.	PART NO	PAGE	REF NO.	PART NO	PAGE	REF NO.
12172805	22	24	12306007	26	14	12311106	26	23
12176004	36	32	12306106	46	2	12311205	30	15
12177903	54	49	12306155	46	1	12311304	30	16
12180162	48	28~30	12306205	46	3	12311403	30	17
12180261	48	28~30	12306353	46	4	12311502	30	18
12180659	48	28~30	12306551	46	5	12311650	30	19
12250205	6	19	12306601	46	7	12311809	30	20
12250510	2	25	12306700	46	8	12311908	30	21
12250601	2	29	12306809	46	27	12312005	30	22
12252805	14	6	12308003	30	1	12312104	30	23
12252904	14	21	12308102	30	2	12312203	26	24
12253050	14	22	12308201	30	3	12312302	26	25
12253100	14	24	12308300	26	26	12315008	60	1
12256103	60	9	12308300	30	4	12315156	60	18
12258000	6	21	12308409	26	21	12315206	60	29
12258307	40	36~39	12308409	30	5	12315354	60	16
12258406	40	36~39	12308508	30	6	12315503	60	19
12258505	42	36~39	12308607	30	7	12315602	60	20
12258604	42	36~39	12308706	30	9	12315701	60	21
12258802	42	40~43	12308755	30	8	12315800	60	17
12258901	42	40~43	12308805	30	10	12315909	60	3
12259008	42	40~43	12308904	30	13	12315958	60	2
12259107	42	40~43	12309001	30	14	12316006	60	4
12280103	10	35	12309100	26	1	12316105	60	5
12280608	14	38	12309209	26	2	12316204	60	6
12288908	52	11	12309308	26	3	12316303	60	22
12300109	4	59	12309407	26	4	12316402	28	68~70
12300208	4	60	12309506	26	5	12316501	28	68~70
12300356	2	23	12309605	26	6	12316600	28	68~70
12300505	4	56	12309704	26	7	12316709	28	71~73
12300653	6	24	12309803	26	8	12316808	28	71~73
12303004	10	10	12309803	56	14	12316907	28	71~73
12303806	16	52	12309902	26	9	12317004	60	7
12304002	16	44	12310009	26	10	12317103	28	74
12304101	16	46	12310108	26	11	12317202	28	75
12304200	16	47	12310207	26	12	12318002	56	5
12305009	46	25	12310306	26	13	12318101	56	10
12305256	46	30	12310504	26	15	12320008	44	17
12305405	28	63	12310603	26	16	12320057	44	15
12305504	28	64	12310702	26	17	12320107	44	18
12305603	44	1	12310801	26	19	12320206	44	16
12305702	46	20	12310850	26	18	12320305	44	19
12305850	46	21	12310900	26	20	12330007	28	62
12305900	46	14	12310900	46	13	12341806	64	6
12305959	46	12	12311007	26	22	12341905	64	5

NUMERICAL INDEX OF PARTS

PART NO	PAGE	REF NO.	PART NO	PAGE	REF NO.	PART NO	PAGE	REF NO.
12341954	64	4	B2525352000	40	28	B3318704L00A	74	42
B1140716000	4	53	B2530704000	36	51	B3319704L00	70	33
B1211804000	10	29	B2531704000	38	65	B3319704L00	74	39
B1212704000	10	19	B2531704000	40	34	B3320704L00A	70	47
B1215804000	10	6	B2531704000	78	17	B3320704L00A	72	47
B1414555000	22	35	B3013141H0A	6	32	B3320704L00A	74	58
B1528804000A	44	2	B3101804000	50	41~43	B3320704L00A	76	58
B1529804000	46	40	B3102804000	50	41~43	B3321704L00	72	54
B1534804000	46	23	B3103804000	50	41~43	B3321704L00	74	64
B1604704000	18	30	B3112704000	48	40	B3321704L00	76	64
B1606704000	20	45	B3112704000	50	40	B3321704LOB	70	32
B1611804000A	18	19	B3113352000	48	2	B3321704LOB	74	35
B16118040A0A	18	18	B3120125000	48	8	B3525704000	28	52
B1612804C00	26	31	B3120352000	48	53~55	B3534012000	60	45
B1620804000	18	9	B3120352000	50	53~55	B3534352000	60	11
B1624704000	22	9	B3120704000	50	47~49	B71140120A0	68	25
B1646704000A	24	66	B3126012000	48	50~52	B8151771000	68	38
B1646704000A	30	30	B3126012000	50	50~52	B81517710A0	68	27
B1647704000A	24	65	B3304704000A	70	42	B8152771000	68	39
B1652704000	20	42	B3304704000A	74	53	B8153771000	68	40
B165780400T	22	22	B3304704000A	76	53	B9112804000	78	3
B2017372000	48	9	B3305704000A	70	35	B91351230B0	78	8
B2024771000	26	32	B3305704000A	74	46	BT0500300EA	62	46
B2024771000	56	32	B3305704000A	76	46	BT0500300EG	62	49
B2102816000A	40	6	B3309704000	70	41	BT0600402EA	16	54
B2103816000B	40	1	B3309704000	74	52	BT0700500EA	58	19
B2105816000	40	4	B3309704000	76	52	CM300200001	4	55
B2107816000	18	10	B33097040A0	70	38	CM3002000A1	6	8
B2111716000	40	16	B33097040A0	74	49	CM300200101	6	12·13
B2119816A00	40	8~12	B33097040A0	76	49	CM3002001A1	6	12·13
B2119816B00	40	8~12	B3311012000	70	48	CQ200000000	36	25
B2119816C00	40	8~12	B3311012000	72	48	CQ202000000	26	37
B2119816D00	40	8~12	B3311012000	74	59	CQ202000000	36	24
B2119816E00	40	8~12	B3311012000	76	59	CQ202000000	62	50
B2120816000	40	5	B3311704000	70	31	CQ252000000	14	16
B2201816000	48	21	B3311704000	74	44	CS0400671SD	2	11
B2202816000	48	22	B3311704000	76	44	CS095081ASH	18	21
B2314019000	48	7	B3311804000	70	39	CS100101ESH	26	33
B2401816000	48	3	B3311804000	74	50	CS100101ESH	30	33
B2402716000	48	4	B3311804000	76	50	CS1031210SH	34	69
B2508704000	38	67	B3317704000	70	52	CS1031210SH	38	69
B251570400B	34	17	B3317704000	72	52	CS111101HSH	26	35
B2519804000	78	4	B3317704000	74	62	CS111101HSH	56	8
B2519814000	78	5	B3317704000	76	62	CS1201010SH	14	9
B2521804000	78	9	B3318704L00A	70	29	D8113555B00	68	33

NUMERICAL INDEX OF PARTS

PART NO	PAGE	REF NO.	PART NO	PAGE	REF NO.	PART NO	PAGE	REF NO.
D8114555B0E	68	31	R4200J0EDA0	52	2	SM4040655SP	4	48
D8125772B00	68	37	R4305J0EE00	52	6	SM4040655SP	36	46
D8204555D00	64	22	R4305J0EEA0	52	5	SM4040855SP	2	32
D8204555D00	66	33	R4508J0ED00	52	9	SM4040855SP	6	22
GPF06060000	68	15	R4508J0EDA0	52	8	SM4040855SP	10	3
GPF06070000	68	16	RE0300000K0	24	58	SM4040855SP	14	36
GPF06080000	68	17	RE0300000K0	30	37	SM4040855SP	22	2
MAO11532000	70	57	RE0400000K0	26	40	SM4040855SP	58	27
MAO11532000	72	57	RE0400000K0	30	38	SM4041055SP	4	46
MAO11532000	74	36	RE0500000K0	22	26	SM4041055SP	24	56
MC033600750	14	55	RE0900000K0	30	39	SM4041401SC	20	44
MC033600750	16	55	RO037180100	36	42	SM4041455SN	50	72
MDC270B1100	16	51	RO060150100	24	71	SM4050855SP	10	34
NM6040000SN	26	38	RO068190100	30	40	SM4050855SP	48	1
NM6050001SE	70	50	RO074240100	6	42	SM4051055SP	4	61
NM6050001SE	72	50	RO078190100	6	6	SM4051055SP	52	12
NM6050001SE	74	61	RO078190100	22	5	SM4051255SP	6	4
NM6050001SE	76	61	RO108240100	14	25	SM4051405SE	70	37
NM6060001SE	72	56	RO110090100	46	19	SM4051405SE	74	48
NM6060001SE	74	34	RO218240100	62	53	SM4051405SE	76	48
NM6060003SC	46	29	RO347350100	10	32	SM4051601SC	62	54
NM6080011SF	26	39	RO480120100	24	52	SM4060801SE	62	55
NM6080600SM	66	12	SB110000300	10	7	SM4061201SE	72	55
NM6080721SE	68	32	SD0260271SP	18	29	SM4061201SE	74	65
NS6090310SN	2	40	SD0280401SL	16	42	SM4061201SE	76	65
NS6090310SP	50	70	SD0600341TP	48	19	SM6030510SC	30	43
NS6090310SP	64	28	SD0720271SP	22	28	SM6051202TP	18	3
NS6090310SP	66	39	SD0720332SP	40	22	SM6051202TP	22	34
NS6110310SP	62	52	SD0720803TH	40	7	SM6051202TP	40	20
NS6110420SP	2	18	SK2351600SC	64	10	SM6053000SE	70	43
NS6110420SP	46	38	SK2351600SC	66	28	SM6053000SE	74	54
NS6150430SP	28	65	SK3311500SC	64	21	SM6053000SE	76	54
NS6240630SE	64	18	SK3311500SC	66	32	SM6061200SP	34	6
NS6240630SE	66	6	SK3382001SE	70	28	SM6061200SP	46	28
NS6620320SP	18	6	SK3382001SE	74	38	SM6061202TP	14	14
NS6680410SP	6	39	SK3412000SC	8	49	SM6061202TP	18	20
PS0150082KH	30	12	SK3513200SC	68	41	SM6061210SC	30	45
PS0200052KH	48	20	SL4051231SC	24	62	SM6061402TP	14	3
PS0250062KH	40	35	SL9061291SE	68	24	SM6061610SC	30	46
PS0300062KH	38	64	SL9082091SE	68	22	SM6061610SC	70	30
PS0300062KH	78	16	SM0030301SN	30	42	SM6061610SC	74	43
PS0300132KH	8	50	SM0081001SD	6	43	SM6061802TP	62	56
PS0300132KH	18	31	SM1040801SC	2	26	SM8040302TP	2	12
PS0300132KH	50	73	SM1040801SC	6	23	SM8040402TP	46	16
R4200J0ED00	52	3	SM4040601SC	6	25	SM8040612TP	14	26

NUMERICAL INDEX OF PARTS

PART NO	PAGE	REF NO.	PART NO	PAGE	REF NO.	PART NO	PAGE	REF NO.
SM8050402TP	62	57	SS6060440TP	36	56	SS7060610SP	34	18
SM9051203CP	26	41	SS6080320SP	20	47	SS7080520SP	44	6
SM9061203SE	68	34	SS6080410SP	22	32	SS7090410SP	28	49
SM9061250TP	26	43	SS6080410SP	36	38	SS7090510SP	54	50
SM9061250TP	30	44	SS6080410SP	78	7	SS7090530SP	4	49
SM9061250TP	56	6	SS6080720SP	14	37	SS7090610SP	4	52
SM9082023SE	68	28	SS6090420SP	66	19	SS7090610SP	54	44
SM9082513CF	66	11	SS6090620SP	24	57	SS7090610SP	58	21
SQ0000451MZ	62	58	SS6090620TP	36	58	SS7090611SL	6	34
SQ1110401MZ	60	59	SS6090620TP	40	30	SS7090620TP	24	45
SQ1110401MZ	62	59	SS6090630SP	36	52	SS7090710SP	52	29
SQ1110451MZ	62	62	SS6090630SP	64	8	SS7090850SP	36	54
SQ1150441SD	62	63	SS6090630SP	66	29	SS7091410SP	2	28
SQ1150451MZ	60	23	SS6090630TP	34	14	SS7110510SP	2	35
SQ1150454SD	60	24	SS6090650SP	44	23	SS7110510SP	46	10
SS2090520SL	2	38	SS6090650SP	60	13	SS7110540SP	70	40
SS2090830SL	50	69	SS6090670TP	16	45	SS7110540SP	74	51
SS2110710TP	26	44	SS6090920SP	40	24	SS7110540SP	76	51
SS2110910SL	52	1	SS6110420TP	26	45	SS7110710SP	2	21
SS3090610SP	2	41	SS6110520TP	26	46	SS7110720SP	52	17
SS3090610SP	36	48	SS6110610TP	4	57	SS7110720TP	40	2
SS4060310SP	56	25	SS6110610TP	52	51	SS7110740TL	50	71
SS4080415SP	44	24	SS6110610TP	54	51	SS7110740TP	28	50
SS4080610SP	22	18	SS6110710TP	18	28	SS7110810SP	18	32
SS4080610SP	40	21	SS6110710TP	28	47	SS7110840SP	10	18
SS4080620TP	10	23	SS6110710TP	40	26	SS7110840SP	36	60
SS4090415SP	48	76	SS6110710TP	46	31	SS7110840SP	46	11
SS4090415SP	50	76	SS6110820TP	28	48	SS7110840SP	54	43
SS4090515SP	24	63	SS6111040SP	56	15	SS7110840SP	58	22
SS4090515SP	32	47	SS6111052TP	46	6	SS7110910SP	4	58
SS4090615SP	34	20	SS6111440SP	2	19	SS7110910TP	18	37
SS4091015SP	2	22	SS6111610SP	56	21	SS7110910TP	50	74
SS4091015SP	58	25	SS6120620TP	60	25	SS7111410SP	46	39
SS4110515SP	14	28	SS6121020SP	28	67	SS7111810SP	12	42
SS4110515SP	48	25	SS6121020SP	46	26	SS7111810TP	10	17
SS4112215SP	60	14	SS6121020SP	60	26	SS7111810TP	30	41
SS4120615SP	2	24	SS6121220TP	18	11	SS7151120SP	52	34
SS4151215SP	6	11	SS6151440SP	54	40	SS7161040SP	46	34
SS5080212TP	10	21	SS6660710TP	32	49	SS8080310TP	16	50
SS5090610SP	64	27	SS6661110SP	22	38	SS8080322TP	78	2
SS5090610SP	66	38	SS7060310SP	22	39	SS8090530TP	14	4
SS5110710SP	6	30	SS7060310SP	60	27	SS8110410TP	2	44
SS5110710SP	64	9	SS7060510SP	24	48	SS8110410TP	18	22
SS5110710SP	66	27	SS7060510SP	44	3	SS8110410TP	22	11
SS5150510SP	48	5	SS7060510SP	54	48	SS8110410TP	48	23

NUMERICAL INDEX OF PARTS

PART NO	PAGE	REF NO.	PART NO	PAGE	REF NO.
SS8110410TP	60	12	TA2050805R0	6	26
SS8110520TP	46	22	WP0370316SD	66	22
SS8110520TP	60	28	WP0371016SD	24	61
SS8110750SP	18	27	WP0371016SD	30	35
SS8151150SP	10	38	WP0371026SD	44	7
SS8660330SP	22	7	WP0371026SD	58	26
SS8660330SP	26	36	WP0371036SD	28	57
SS8660330SP	56	9	WP0451026SH	28	58
SS8660530TP	26	34	WP0460556SD	24	68
SS8660530TP	30	34	WP0460556SD	30	36
SS8660610TP	14	10	WP0480856SP	24	55
SS8660610TP	34	70	WP0612066SP	42	44
SS8660610TP	38	70	WP0621016SD	24	64
SS9090410TP	34	15	WP0621016SD	32	48
SS9090610TP	32	50	WP0621016SH	28	59
SS9090610TP	36	50	WP0651056SD	60	44
SS9090823TP	56	18	WP0671016SE	68	36
SS9111010SP	22	25	WP0751576SD	6	37
SS9111010SP	52	25	WP0764016SP	10	39
SS9111050SP	22	15	WP0850002SC	66	13
SS9111610SP	56	28	WP0871602SE	68	30
SS9112310SP	56	31	WP1002036SE	64	16
SS9151210TP	6	27	WP1002036SE	66	4
SS9151210TP	28	66	WP1612616SE	70	53
SS9151210TP	36	66	WP1612616SE	72	53
SS9151210TP	38	66	WP1612616SE	74	63
SS9151210TP	40	33	WP1612616SE	76	63
SS9151210TP	46	33	WS0621210KR	68	35
SS9151210TP	78	18	WS0822010KP	6	38
SS9681610TP	10	40	WS0861410KR	68	29
ST60308210A	66	23	WS1002560KR	64	17
TA0180401M0	28	54	WS1002560KR	66	5
TA0290301M0	60	30	WZ0420350KP	2	10
TA0340201R0	26	55	WZ0640312K0	48	27
TA0340201R0	28	55	WZ0850302K0	6	31
TA0400301M0	60	43	WZ2640310KH	10	31
TA0620504R0	50	68			
TA0800501R0	28	56			
TA0800504R0	22	4			
TA0950806R0	58	31			
TA1030402R0	18	7			
TA1250406R0	6	45			
TA1701107R0	8	46			
TA1871602R0	6	29			
TA2050416R0	18	17			