

MODEL : MOJ-3900

List No : 1142-02

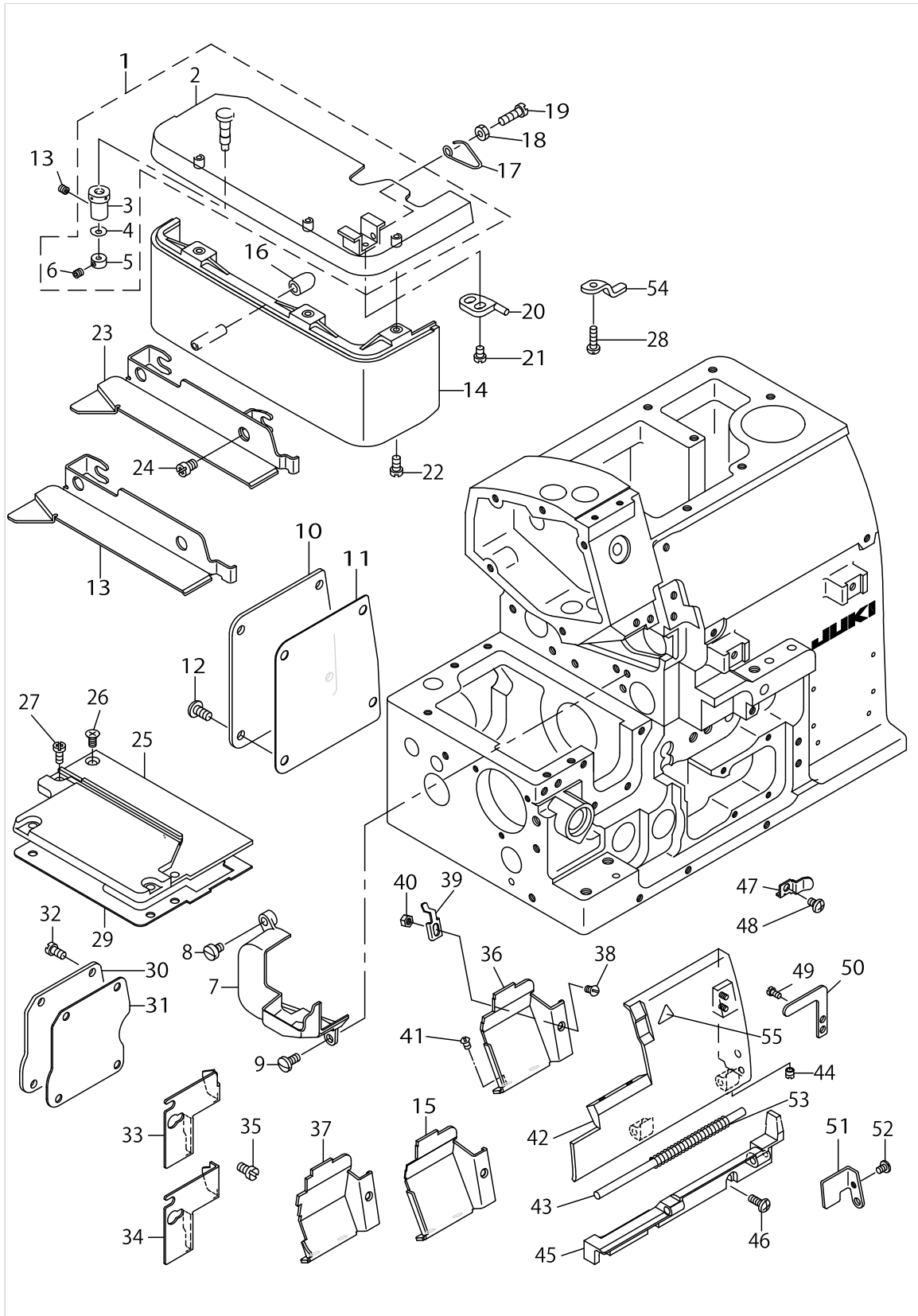
PARTS LIST

Published:10/31/2016

CONTENTS

FRAME COMPONENTS (1)	1
FRAME COMPONENTS (2)	3
CRANKSHAFT COMPONENTS	5
NEEDLE DRIVING SHAFT COMPONENTS	7
FEED MECHANISM COMPONENTS (1).....	9
FEED MECHANISM COMPONENTS (2).....	11
UPPER FEED MECHANISM COMPONENTS (1).....	15
UPPER FEED MECHANISM COMPONENTS (2).....	19
UPPER & LOWER LOOPER COMPONENTS	21
CHAIN LOOPER COMPONENTS (FOR MOJ-3916)	25
PRESSER FOOT COMPONENTS (1).....	27
PRESSER FOOT COMPONENTS (2).....	29
THREAD TENSION COMPONENTS	31
LOWER KNIFE COMPONENTS.....	35
UPPER KNIFE COMPONENTS	39
NEEDLE COOLING MECHANISM COMPONENTS.....	41
LUBRICATION MECHANISM COMPONENTS.....	43
SEMI-SUNKEN TYPE TABLE COMPONENTS.....	45
FULLY-SUNKEN TYPE TABLE COMPONENTS.....	47
STAND COMPONENTS	49
THREAD STAND COMPONENTS (FOR MOJ-3904,MOJ-3914).....	51
THREAD STAND COMPONENTS (FOR MOJ-3916)	53
LIST FOR INFORMATION OF CHANGE.....	57
HOW TO MAKE USE OF THIS PARTS LIST	58

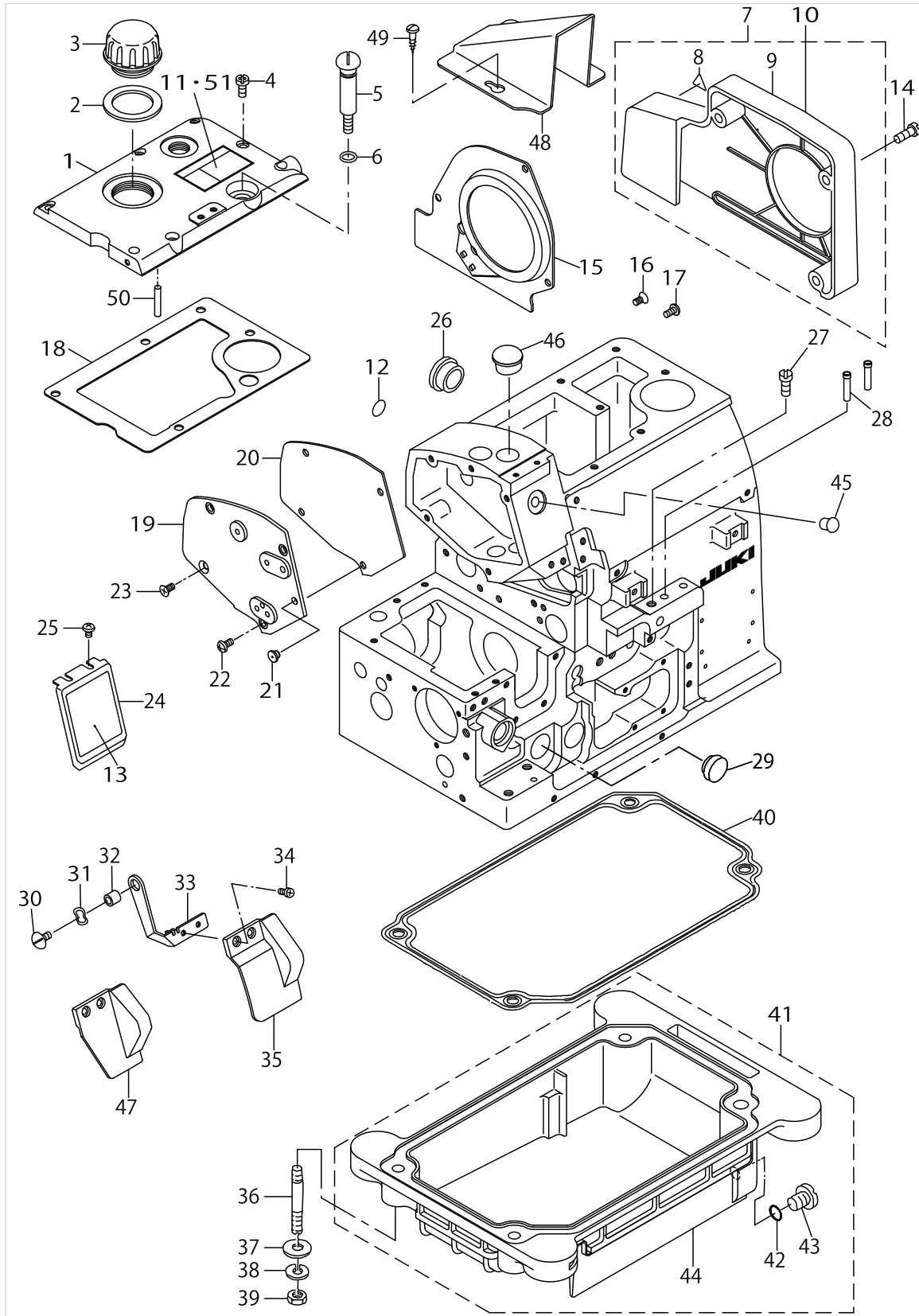
FRAME COMPONENTS (1)



FRAME COMPONENTS (1)

No.	C- ons	Le- vel	Parts No.	Replacement	Supply Code	Parts name	Qty	R- ep. Q- TY	Status	Spec	Remarks
1			12105359	13103650	Replaced	CLOTH PLATE ASM.	1	1.00			
2		*	12102752	12105359	Replaced	CLOTH PLATE ASM.	1	1.00			
3		*	11501301			ECCENTRIC BUSHING	1				
4		*	WZ0420350KP			DISC SPRING	1				
5		*	CS0400671SD	13172903	Replaced	THRUST HOLDER	1	1.00			
6		*	SM8040302TP			SETSCREW	1				
7			12300505	13277306	Replaced	UPPER FEED COVER	1	1.00			
8			SS6110610TP			SCREW 11/64-40 L=6	1				
9			SS7110910SP	SS7110910TP	Replaced	SCREW 11/64-40 L=8.5	1	1.00			
10			12300109			REAR PLATE	1				
11			12300208		Discontinue	PLANE COVER PACKING	1				
12			SM4051055SP			SCREW	4				
13			12385357			CLOTH PLATE SIDE COVE	1				FOR MOJ-3916
14			11949005		Discontinue	CLOTH BASE COVER	1				
15			12388500	31200900	Replaced	CLOTH WASTE COVER	1	1.00			FOR MOJ-3914
16			11802204	13104302	Replaced	RUBBER PLUG	1	1.00			
17			11802402			SPRING	1				
18			NS6110420SP			NUT 11/64-40	1				
19			SS6111440SP			SCREW 11/64-40 L=14.0	1				
20			12103305	13101704	Replaced	STOPPER	1	1.00			
21			SS7110710SP			SCREW 11/64-40 L=7	2				
22			SS4091015SP			SCREW 9/64-40 L=10	2				
23			12385258			CLOTH PLATE SIDE COVE	1				FOR MOJ-3904,
24			SS4120615SP			SCREW 3/16-28 L=6	2				
25			12250510			FEED MECHANISM COVER	1				
26			SM1040801SC			SCREW M4X0.7 L=8	1				
27			SM4040855SP			SCREW	4				
28			SS7091410SP			SCREW 9/64-40 L=13.5	1				
29			12250601			GASKET	1				
30			11951100		Discontinue	COVER	1				
31			11804309		Discontinue	GASKET	1				
32			SM4040855SP			SCREW	4				
33			12102307		Discontinue	CHIP GUARD COVER, LEF'	1				FOR MOJ-3904,
34			12102406		Discontinue	CHIP GUARD COVER, LEF'	1				FOR MOJ-3916
35			SS7110510SP			SCREW 11/64-40 L=5	2				
36			12147203	13104104	Replaced	CLOTH WASTE COVER	1	1.00			FOR MOJ-3904
37			12379608	13105507	Replaced	CLOTH WASTE COVER (FC	1	1.00			FOR MOJ-3916
38			SS2090520SL			SCREW 9/64-40 L=5	1				
39			12101515	13102405	Replaced	CROTH WASTE COVER ST	1	1.00			
40			NS6090310SN			NUT 9/64-40	1				
41			SS3090610SP			SCREW 9/64-40 L=6	2				
42			12101309	13100904	Replaced	LOOPER COVER	1	1.00			
43			11803004		Discontinue	LOOPER COVER HINGE PI	1				
44			SS8110410TP			SCREW 11/64-40 L= 3.5	1				
45			12101200	13100805	Replaced	LOOPER COVER BRACKET	1	1.00			
46			SM4041055SP			SCREW	3				
47			12103404	13101308	Replaced	LOOPER COVER PRESSER	1	1.00			
48			SM4040655SP			SCREW M4 L=6	1				
49			SS7090530SP			SCREW 9/64-40 L= 4.5	1				
50			12103206			LOOPER COVER PRESSER	1				
51			12101408	13101001	Replaced	GUIDE PLATE	1	1.00			
52			SS7090610SP			SCREW 9/64-40 L=6	1				
53			B1140716000	13101209	Replaced	SPRING	1	1.00			
54			12103511		Discontinue	CROTH PLATE SUPPORTE	1				
55			CM300200001			ATTENTION SEAL	1				FOR JE

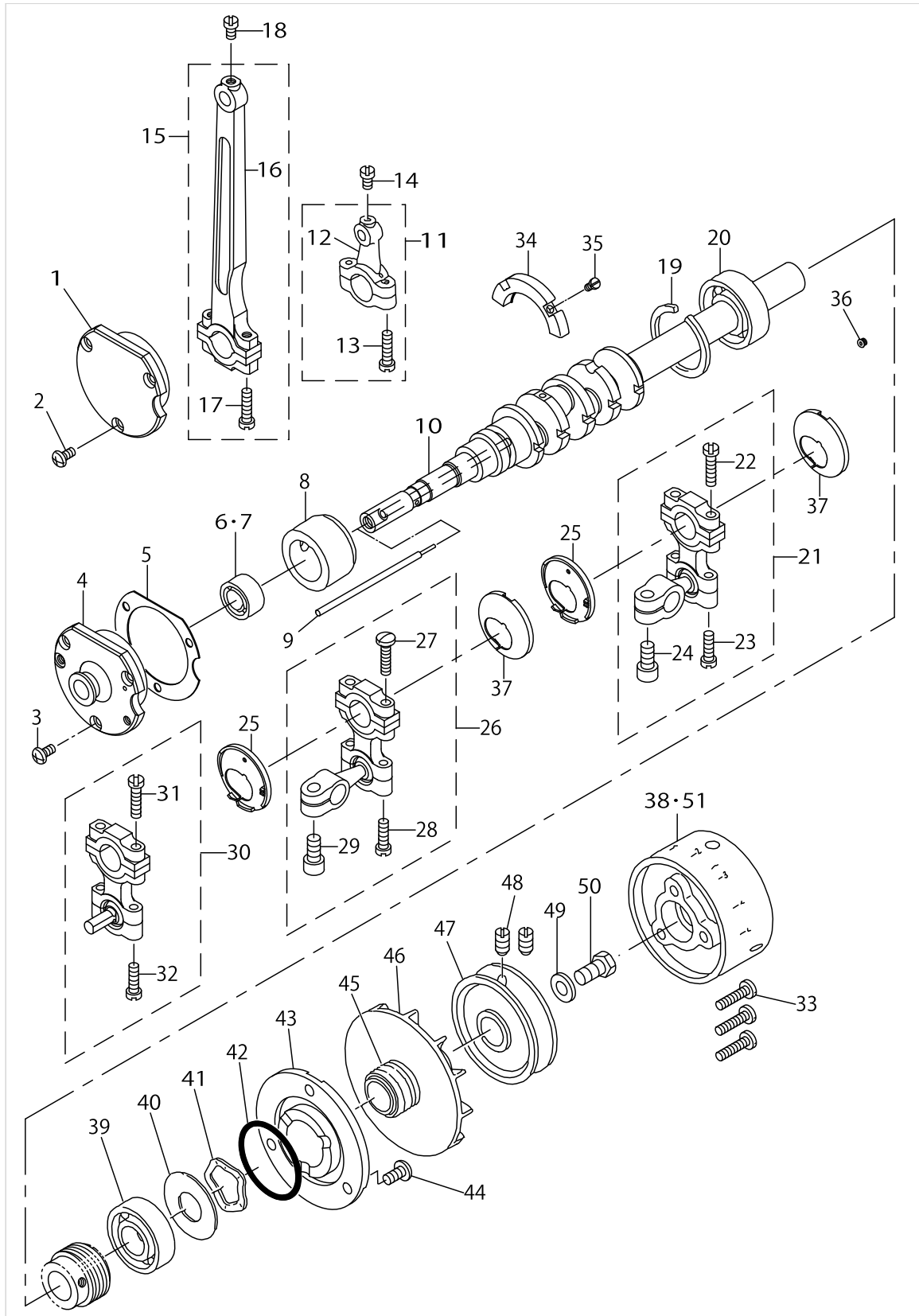
FRAME COMPONENTS (2)



FRAME COMPONENTS (2)

No.	C- ons	Le- vel	Parts No.	Replacement	Supply Code	Parts name	Qty	R- ep. Q- TY	Status	Spec	Remarks
1			12100418		Disconinue	UPPER COVER	1				
2			11500808		Disconinue	GASKET	1				
3			12100608		Disconinue	OIL CAP	1				
4			SM4051255SP			SCREW.,M5 L=12.	6				
5			12100806		Disconinue	OIL DRAIN SCREW	1				
6			RO078190100			RUBBER RING	1				
7			12101952		Disconinue	BELT COVER ASM.	1				FOR JAPAN
8	*		CM3002000A1			CAUTION LABEL(16)	1				FOR JAPAN
9	*		12101903	12101952	Replaced	BELT COVER	1	1.00			FOR JAPAN
10			12101903	12101952	Replaced	BELT COVER	1	1.00			FOR EXPORT
11			CM3002001A1			SAFETY LABEL.,3 (SMALL)	1				FOR EXPORT(E
12			10004109	22901805	Replaced	GROUND MARK	1	1.00			
13			12386009			BRAND LABEL	1				
14			SS4151215SP			SCREW 15/64-28 L=12	3				
15			12101804			COOLING FAN PLATE	1				
16			SM1040801SC			SCREW M4X0.7 L=8	1				
17			SM4040855SP			SCREW	2				
18			12100517		Disconinue	UPPER COVER GASKET	1				
19			12250205		Disconinue	SIDE COVER	1				
20			12100301		Disconinue	SIDE COVER GASKET	1				
21			12258000			BUSH	1				
22			SM4040855SP			SCREW	3				
23			SM1040801SC			SCREW M4X0.7 L=8	1				
24			12300653			BRAND LABEL ASM.	1				
25			SM4040601SC			SCREW M4X0.7 L=6	2				
26			TA2050805R0			RUBBER PLUG	1				
27			SS9151210TP			SCREW 15/64-28 L=11.8	1				
28			11805207	13102900	Replaced	THREAD GUIDE, LARGE	2	1.00			FOR MOJ-3904,
29			TA1871602R0			RUBBER PLUG	1				
30			SS5110710SP			SCREW 11/64-40 L=7	1				
31			WZ0850302K0			WAVED WASHER 8.5X12.5	1				
32			B3013141H0A			WASHER	1				
33			12102000	12342002	Replaced	SAFETY PLATE BRACKET	1	1.00			
34			SS7090611SL			SCREW 9/64-40 L=6.1	2				
35			12102109		Disconinue	SAFETY PLATE	1				FOR MOJ-3916
36			11503703			SCREW STUD	4				
37			WP0751576SD			WASHER 7.5X19X1.5	4				
38			WS0822010KP			SPRING WASHER 8.2X15X2	4				
39			NS6680410SP			NUT 9/32-28	4				
40			11503919	13102603	Replaced	OIL RESERVOIR GASKET	1	1.00			
41			11503885	13102553	Replaced	OIL RESERVOIR ASM.	1	1.00			
42	*		RO074240100			RUBBER RING	1				
43	*		SM0081001SD			SCREW	1				
44	*		11503810	11503885	Replaced	OIL RESERVOIR	1	1.00			
45			TA0750704R0			RUBBER PLUG	1				
46			TA1701107R0			RUBBER PLUG	1				
47			12104907		Disconinue	SAFETY PLATE	1				FOR MOJ-3904,
48			12105201		Disconinue	BELT COVER	1				FOR JE
49			SK3412000SC	SK3412000SE	Replaced	WOOD SCREW D=4.1 L=20	3	1.00			FOR JE
50			PS0300132KH			SPRING PIN 3X13	1				
51			CM300200101			SAFETY LABEL, 1(SMALL).	1				FOR JAPAN

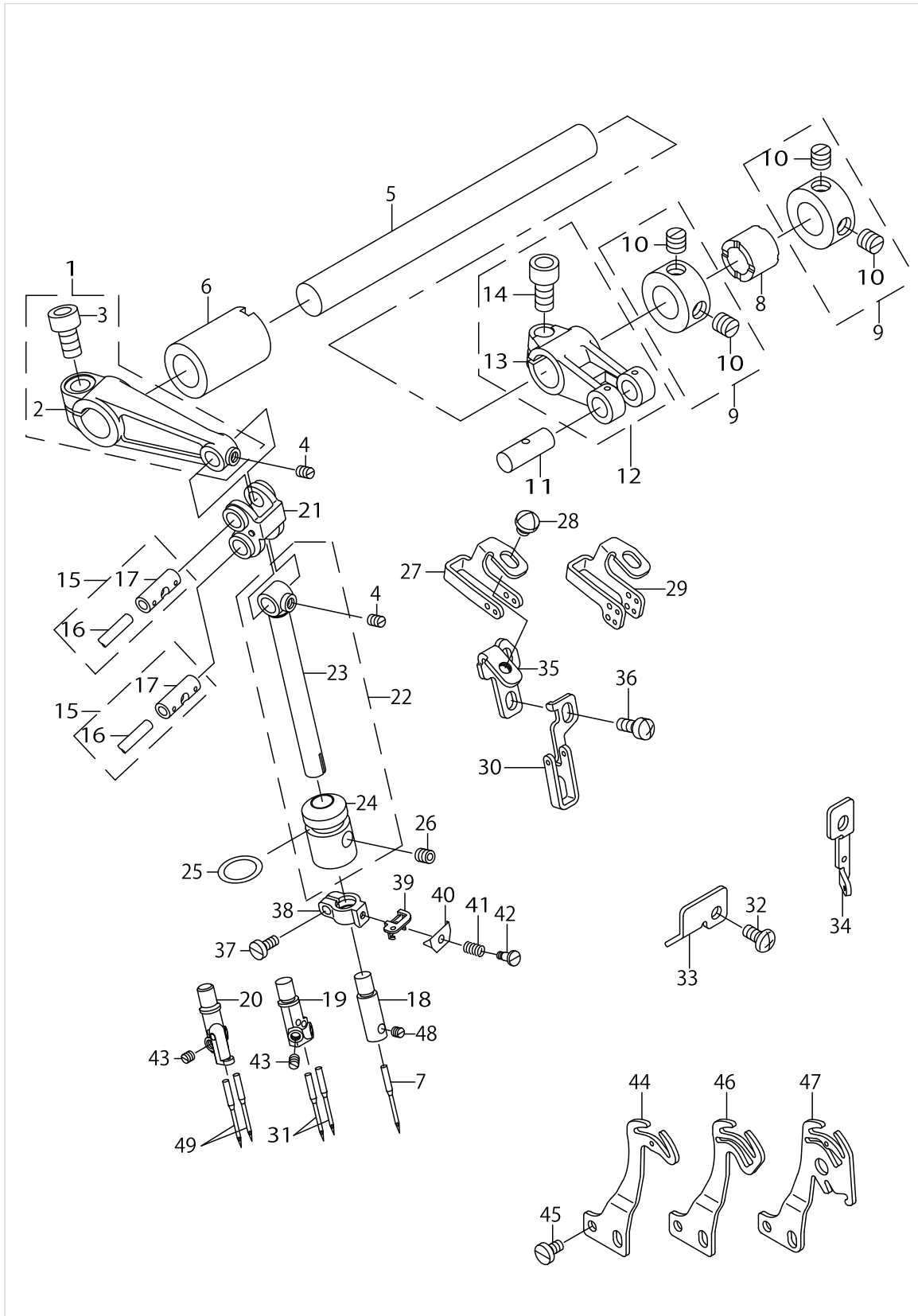
CRANKSHAFT COMPONENTS



CRANKSHAFT COMPONENTS

No.	C- ons	Le- vel	Parts No.	Replacement	Supply Code	Parts name	Qty	R- ep. Q- TY	Status	Spec	Remarks
1			12108213	12343406	Replaced	CRANKSHAFT BUSHING D	1	1.00			FOR MOJ-3904,
2			SM4040855SP			SCREW	3				FOR MOJ-3904,
3			SM4040855SP			SCREW	3				FOR MOJ-3916
4			12108304	12343505	Replaced	CRANKSHAFT BUSHING D	1	1.00			FOR MOJ-3916
5			12108403			GASKET	1				
6			B1215804000	13108808	Replaced	BALL BEARING D	1	1.00			FOR MOJ-3904,
7			SB110000300	13108907	Replaced	BALL BEARING	1	1.00			FOR MOJ-3916
8			12108007		Disconinue	CRANKSHAFT BUSHING C	1				
9			12108106			OIL ADJUSTING BAR	1				
10			12371506		Disconinue	CRANK SHAFT	1				
11			12132155	13232558	Replaced	KNIFE DRIVING ROD ASM.	1	1.00			
12	*		12132106	12132155	Replaced	KNIFE DRIVING ROD	1	1.00			
13	*		SS7111810TP			SCREW 11/64-40 L=18	2				
14			SS7110840SP			SCREW 11/64-40 L=7.8	1				
15			12372652			NEEDLE DRIVING ROD ASM	1				
16	*		12372603	12372652	Replaced	CONNECTING ROD	1	1.00			
17	*		SS7111810TP			SCREW 11/64-40 L=18	2				
18			SS7110840SP			SCREW 11/64-40 L=7.8	1				
19			B1212704000			BEARING RETAINER	1				
20			B1211804000	13108600	Replaced	BALL BEARING B	1	1.00			SELECTIVE PAF
21			12375051	70003341	Replaced	UPPER LOOPER ARM ASM.	1	1.00			
22	*		SS7111810TP			SCREW 11/64-40 L=18	2				
23	*		SS7111410TP			SCREW 11/64-40 L=14	2				
24	*		SM6061202TP			SCREW M6 L=12	1				
25			12375309		Disconinue	STOPPER (L)	2				
26			12375150			LOWER LOOPER ARM A AS	1				FOR MOJ-3904,
27	*		SS7111810TP			SCREW 11/64-40 L=18	2				
28	*		SS7111410TP			SCREW 11/64-40 L=14	2				
29	*		SM6061202TP			SCREW M6 L=12	1				
30			12375259			LOWER LOOPER ARM B AS	1				FOR MOJ-3916
31	*		SS7111810TP			SCREW 11/64-40 L=18	2				
32	*		SS7111410TP			SCREW 11/64-40 L=14	2				
33			SS7111810SP	SS7111810TP	Replaced	SCREW 11/64-40 L=18	3	1.00			
34			12107900		Disconinue	BALANCER	1				
35			SS4080620TP			SCREW 1/8-44 L=6	2				
36			SS5080212TP			SCREW 1/8-44 L=2	5				
37			12375408		Disconinue	STOPPER (R)	2				
38			11956505	13107701	Replaced	HANDWHEEL C	1	1.00			FOR MOJ-3914
39			B1211804000	13108600	Replaced	BALL BEARING B	1	1.00			SELECTIVE PAF
40			11510609	13108303	Replaced	WASHER	1	1.00			
41			WZ2640310KH			WAVED WASHER 26.4X33.9	1				
42			RO347350100			RUBBER RING	1				
43			12107702	13107800	Replaced	THRUST HOLDER	1	1.00			
44			SM4050855SP			SCREW	3				
45			12280103	13108501	Replaced	OIL SHIELD	1	1.00			
46			11811619	13108402	Replaced	COOLING FAN	1	1.00			
47			12002606			HANDWHEEL A	1				
48			SS8151150SP	SS8151150TP	Replaced	SCREW 15/64-28 L=10.5	2	1.00			
49			WP0764016SP			WASHER	1				
50			SS9681610TP			SCREW 9/32-28 L=16	1				
51			12025706			FLYWHEEL (C)	1				FOR MOJ-3904,

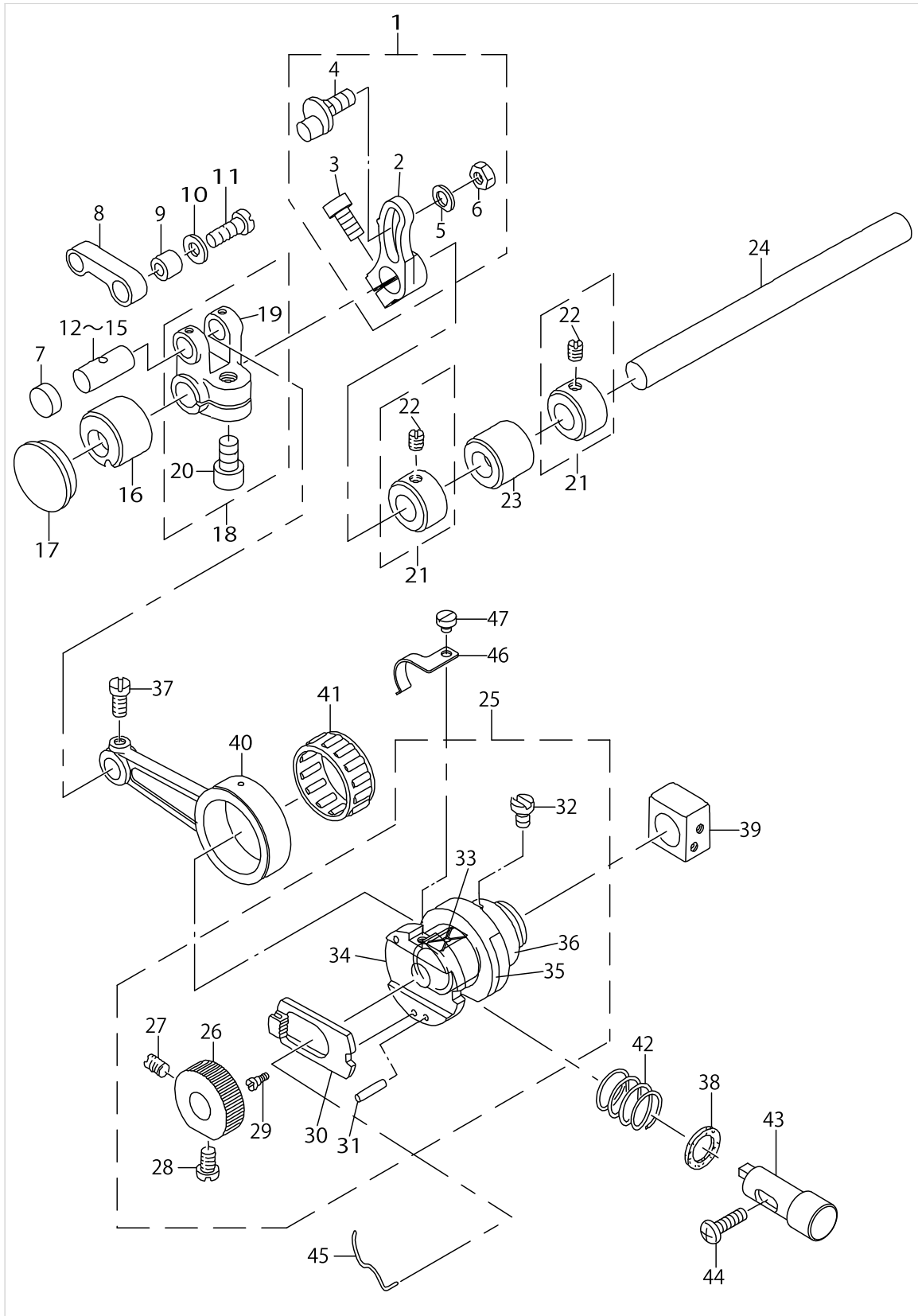
NEEDLE DRIVING SHAFT COMPONENTS



NEEDLE DRIVING SHAFT COMPONENTS

No.	C- ons	Le- vel	Parts No.	Replacement	Supply Code	Parts name	Qty	R- ep. Q- TY	Status	Spec	Remarks
1			12109666		Disconinue	NEEDLE DRIVING ARM ASM	1				
2		*	12109617	12109666	Replaced	NEEDLE DRIVING ARM	1	1.00			
3		*	SM6061402TP			SCREW M6 L=14	1				
4			SS8090530TP			SCREW 9/64-40 L= 5.0	2				
5			12109302	13110606	Replaced	NEEDLE DRIVING SHAFT	1	1.00			
6			12252805			BUSHING,REAR	1				
7			MDO500S2100			DOX5 (S-SHAPE) #21S	1				FOR MOJ-3904
8			12109500	13110101	Replaced	BUSHING, REAR	1	1.00			
9			CS1201010SH			THRUST COLLAR ASM. D=	2				
10		*	SS8660610TP			SCREW 1/4-40 L=6	4				
11			11823804			CRANK PIN C	1				SELECTING PAI
12			12109260			FEED FORKED CRANK ASM	1				
13		*	12109211	12109260	Replaced	NEEDLE DRIVING FORKED	1	1.00			
14		*	SM6061402TP			SCREW M6 L=14	1				
15			12109955		Disconinue	LINK PIN C ASM.	2				SELECTING PAI
16		*	CQ252000000			OIL WICK	0.07				
17		*	12109906		Disconinue	LINK PIN C	2				SELECTING PAI
18			12378816		Disconinue	NEEDLE CLAMP FOR ONE	1				FOR MOJ-3904
19			12378915		Disconinue	NEEDLE CLAMP FOR TWO	1				FOR MOJ-3914
20			12379012		Disconinue	NEEDLE CLAMP,CHAIN LC	1				FOR MOJ-3916
21			12372009		Disconinue	NEEDLE DRIVING LINK	1				
22			12372157		Disconinue	NEEDLE HOLDER ASM.	1				
23		*	12110227		Disconinue	NEEDLE BAR	1				
24		*	12372108		Disconinue	NEEDLE HOLDER METAL	1				
25			RO108240100		Disconinue	RUBBER RING	1				
26			SM8040612TP			SCREW M4 L=6	1				
27			12111209		Disconinue	NEEDLE THREAD GUIDE	1				FOR MOJ-3904,
28			SS4110515SP			SCREW 11/64-40 L=5	1				
29			12111308			THREAD GUIDE, 2-NEEDLI	1				FOR MOJ-3914
30			12386603			THREAD GUIDE, CHAIN LC	1				FOR MOJ-3916
31			MDO500S1800			DOX5 (S-SHAPE) #18S	2				FOR MOJ-3914
32			SM4040855SP			SCREW	1				
33			12372306		Disconinue	TAKE-UP LEVER GUIDE	1				FOR MOJ-3914
34			12372405			CHAIN LOOP	1				FOR MOJ-3916
35			12112108		Disconinue	NEEDLE THREAD GUIDE S	1				
36			SM4040855SP			SCREW	2				
37			SS6080720SP			SCREW	1				
38			12304309			NEEDLE CLAMP HOLDER	1				
39			12304408	31203201	Replaced	NEEDLE THREAD PRESSER	1	1.00			
40			12110904	13111000	Replaced	NEEDLE THREAD PRESSER	1	1.00			
41			12110805		Disconinue	NEEDLE THREAD PRESSER	1				
42			SD0280401SL			HINGE SCREW D=2.8 H=4	1				
43			SS8080310TP			SCREW 1/8-44 L=2.8	2				FOR MOJ-3914,
44			12304002	31202609	Replaced	NEEDLE THREAD BALANC	1	1.00			FOR MOJ-3904
45			SS6090670TP			SCREW 9/64-40 L=6	2				
46			12304101	31202708	Replaced	TAKE-UP LEVER, 2-NEEDI	1	1.00			FOR MOJ-3914
47			12386504	31202906	Replaced	TAKE-UP LEVER, CHAIN L	1	1.00			FOR MOJ-3916
48			SS8080310TP			SCREW 1/8-44 L=2.8	1				FOR MOJ-3904
49			MDO500S2100			DOX5 (S-SHAPE) #21S	2				FOR MOJ-3916

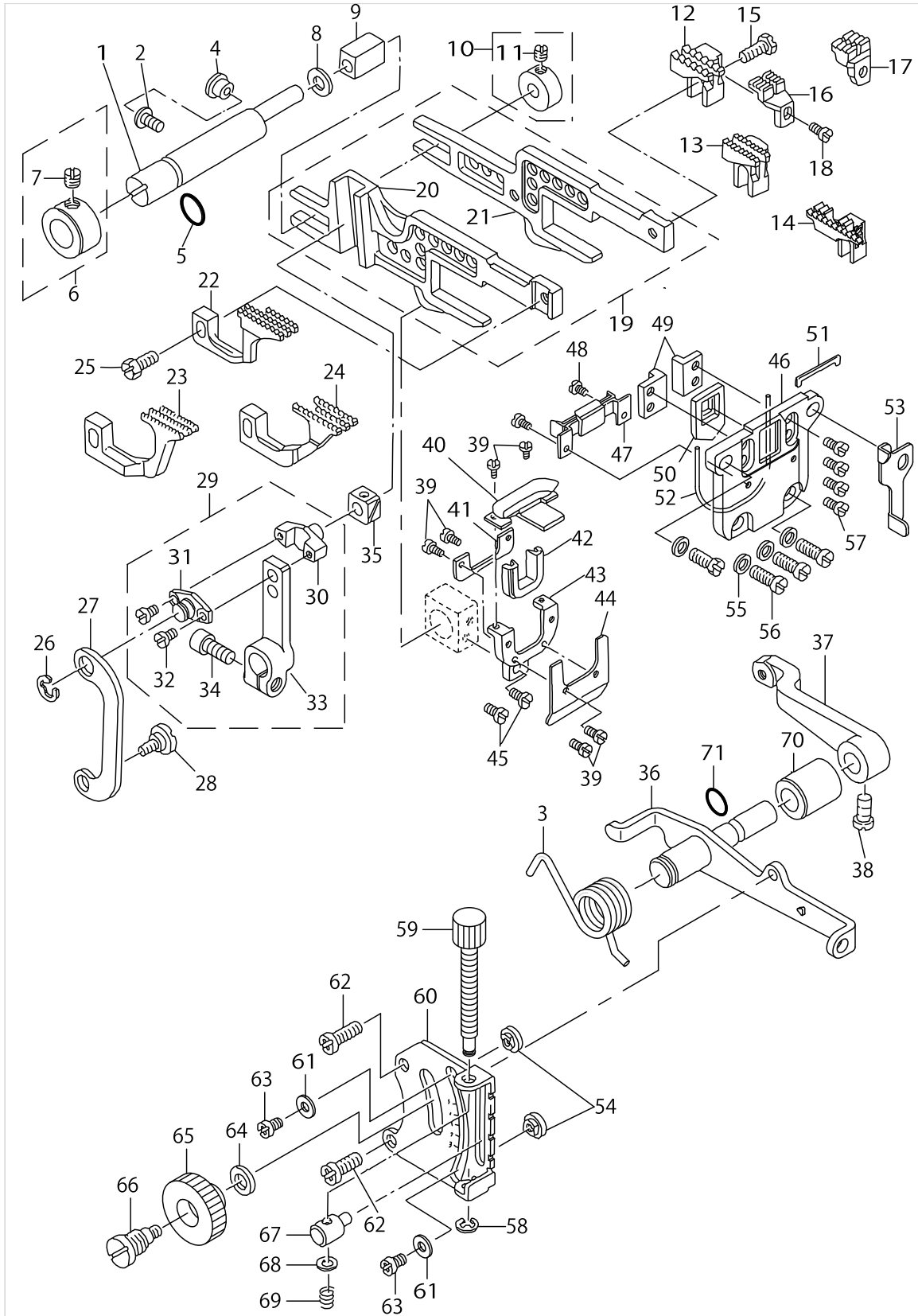
FEED MECHANISM COMPONENTS (1)



FEED MECHANISM COMPONENTS (1)

No.	C- ons	Le- vel	Parts No.	Replacement	Supply Code	Parts name	Qty	R- ep- Q- TY	Status	Spec	Remarks
1			11824067			MAIN FEED ROCKER ASM.	1				
2		*	11530110	11824075	Replaced	MAIN FEED ROCKER	1	1.00			
3		*	SM6051202TP			SCREW M5X0.8 L=12	1				
4		*	11824018	13119706	Replaced	PIN	1	1.00			
5		*	11948601		Disconinue	WASHER B	1				
6		*	NS6620320SP			NUT 3/16-32	1				
7			TA1030402R0			RUBBER PLUG D=10.3 L=4	1				
8			11824109	13119805	Replaced	MAIN FEED LINK	1	1.00			
9			B1620804000		Disconinue	COLLAR	1				
10			B2107816000			WASHER	1				
11			SS6121220TP			SCREW 3/16-28 L=11.5	1				
12			11823606			CRANK PIN	1				SELECTING PAI
13			11823705			CRANK PIN B	1				SELECTING PAI
14			11823804			CRANK PIN C	1				SELECTING PAI
15			11823903			CRANK PIN D	1				SELECTING PAI
16			12117206	13119409	Replaced	FEED ROCKER SHAFT BUS	1	1.00			
17			TA2050416R0			RUBBER PLUG	1				
18			B16118040A0A	13122452	Replaced	FORKED LINK ASM.	1	1.00			
19		*	12119210			FORKED CRANK	1				
20		*	SM6061402TP			SCREW M6 L=14	1				
21			CS095081ASH			THRUST COLLAR ASM. D=	2				
22		*	SS8110410TP			SCREW 11/64-40 L= 3.5	4				
23			12117305	12282802	Replaced	FEED ROCKER SHAFT BUS	1	1.00			
24			12118907		Disconinue	FEED SHAFT	1				
25			12116174	13118054	Replaced	FEED ECCENTRIC BODY A	1	1.00			
26		*	12118808	13118054	Replaced	RATCHET GEAR	1	1.00			
27		*	SS8110750SP			SCREW 11/64-40 L= 6.5	1				
28		*	SS6110710TP			SCREW 11/64-40 L= 6.5	1				
29		*	SD0260271SP			HINGE SCREW D= 2.60 H= :	1				
30		*	B1604704000	13118609	Replaced	RATCHET PAWL	1	1.00			
31		*	PS0300132KH			SPRING PIN 3X13	2				
32		*	SS7110810SP			SCREW 11/64-40 L= 8.0	2				
33		*	12116307	13118302	Replaced	FEED CAM BLOCK	1	1.00			
34		*	12116406	13118054	Replaced	FEED ADJUSTING CAM	1	1.00			
35		*	12116216	13118203	Replaced	FEED CAM	1	1.00			
36		*	12116117	13118104	Replaced	FEED ECCENTRIC BODY	1	1.00			
37			SS7110910TP			SCREW 11/64-40 L= 8.5	1				
38			12118600			OIL SHEET	1				
39			11828704		Disconinue	SLIDE BLOCK	1				
40			12116505	12282604	Replaced	CRANK ROD	1	1.00			
41			12116703			NEEDLE BEARING B	1				SELECTING PAI
42			B1652704000	31256803	Replaced	SPRING	1	1.00			
43			12118501		Disconinue	PUSH BUTTON STUD	1				
44			SM4041401SC			SCREW M4X0.7 L=14	1				
45			B1606704000	13122502	Replaced	RATCHET PAWL SPRING	1	1.00			
46			12117107	13119300	Replaced	RATCHET GEAR SPRING	1	1.00			
47			SS6080320SP			SCREW 1/8-44 L= 2.5	1				

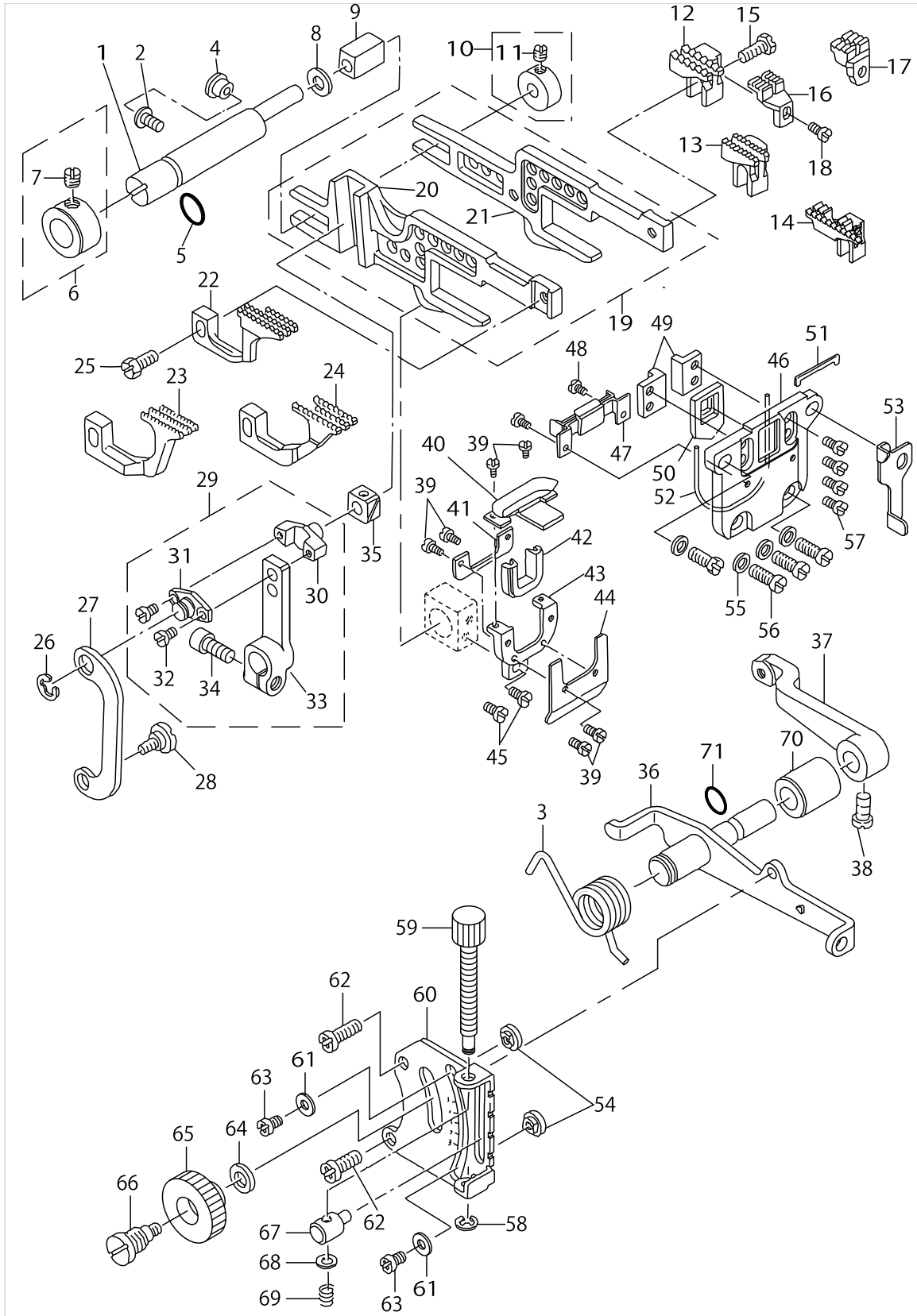
FEED MECHANISM COMPONENTS (2)



FEED MECHANISM COMPONENTS (2)

No.	C- ons	Le- vel	Parts No.	Replacement	Supply Code	Parts name	Qty	R- ep. Q- TY	Status	Spec	Remarks
1			11824505	13120902	Replaced	FEED BAR SHAFT	1	1.00			
2			SM4040855SP			SCREW	1				
3			11991502			SPRING	1				
4			TA0800504R0			PLUG D=8 L=4.5	1				
5			RO078190100			RUBBER RING	1				
6			11824653			THRUST COLLAR ASM.	1				
7		*	SS8660330SP			SCREW 1/4-40 L= 3.0	1				
8			11529914			WASHER	1				
9			B1624704000	13120803	Replaced	SLIDE BLOCK	1	1.00			
10			11828050		Disconinue	COLLAR ASM.	1				
11		*	SS8110410TP			SCREW 11/64-40 L= 3.5	1				
12			11701604			MAIN FEED DOG	1				FOR MOJ-3904
13			12013306			MAIN FEED DOG	1				FOR MOJ-3914
14			12382503			MAIN FEED DOG	1				FOR MOJ-3916
15			SS9111050SP			SCREW 11/64-40 L=9.5	1				
16			11651809			AUXILIARY FEED DOG	1				FOR MOJ-3904,
17			11528502			AUXILIARY FEED DOG	1				FOR MOJ-3916
18			SS4080610SP	SS4080620TP	Replaced	SCREW 1/8-44 L=6.4	1	1.00			
19			12117461		Disconinue	MAIN FEED BAR ASM.	1				
20		*	12117511	12117461	Replaced	DIFFERENTIAL FEED BAR	1	1.00			
21		*	12117412	12117461	Replaced	MAIN FEED BAR	1	1.00			
22			11700507			DIFFERENTIAL FEED DOG	1				FOR MOJ-3904
23			12013405			SUB FEED DOG	1				FOR MOJ-3914
24			11528403			DIFFERENTIAL FEED DOG	1				FOR MOJ-3916
25			SS9111010SP			SCREW 11/64-40 L=9.5	1				
26			RE0500000K0			E-RING	1				
27			11826310			ADJUSTING LINK	1				
28			SD0720271SP			HINGE SCREW D=7,2 H=2,7	1				
29			11828563	13218052	Replaced	DIFFERENTIAL FEED ROCI	1	1.00			
30		*	11825304			PIN	1				
31		*	11826401	13218052	Replaced	PIN COVER	1	1.00			
32		*	SS6080410SP			SCREW 1/8-44 L=4	2				
33		*	11828514	11828563	Replaced	DIFFERENTIAL FEED ROCI	1	1.00			
34		*	SM6051202TP			SCREW M5X0.8 L=12	1				
35			B1414555000			SLIDE BLOCK	1				
36			11825858	12283255	Replaced	ROCKER SHAFT ASM.	1	1.00			
37			11828605	13121900	Replaced	DIFFERENTIAL FEED ROCI	1	1.00			
38			SS6661110SP			SCREW 1/4-40 L=11	1				
39			SS7060310SP			SCREW 3/32-56 L=3	6				
40			12119756			RUBBER PLATE ASM.	1				
41			12119806		Disconinue	RUBBER PREESSER PLATE	1				
42			12119608			OIL SHIELD RUBBER	1				
43			12119905		Disconinue	RUBBER COVER	1				
44			12120002		Disconinue	RUBBER BASE PLATE	1				
45			SS7090620TP			SCREW 9/64-40 L=6.1	2				
46			12119400		Disconinue	RUBBER CASE	1				
47			11827607			OIL SHIELD RUBBER,LOWI	1				
48			SS7060510SP			SCREW 3/32-56 L=4.8	2				
49			11824703		Disconinue	FEED BAR SUPPORT	2				
50			12119509		Disconinue	RUBBER	1				
51			11827904		Disconinue	RUBBER	1				
52			RO480120100		Disconinue	RUBBER RING	1				
53			11828407			THROAT PLATE SUPPORT	1				FOR MOJ-3916
54			11529005			STOPPER	2				
55			WP0480856SP			WASHER 4.8X8.4X0.8	4				
56			SM4041055SP			SCREW	4				
57			SS6090620SP	SS6090620TP	Replaced	SCREW 9/64-40 L=6	4	1.00			
58			RE0300000K0			E-RING 3	1				
59			11826104			DIFFERENTIAL FEED SCRE	1				
60			11825908		Disconinue	DIFFERENTIAL FEED GRAI	1				

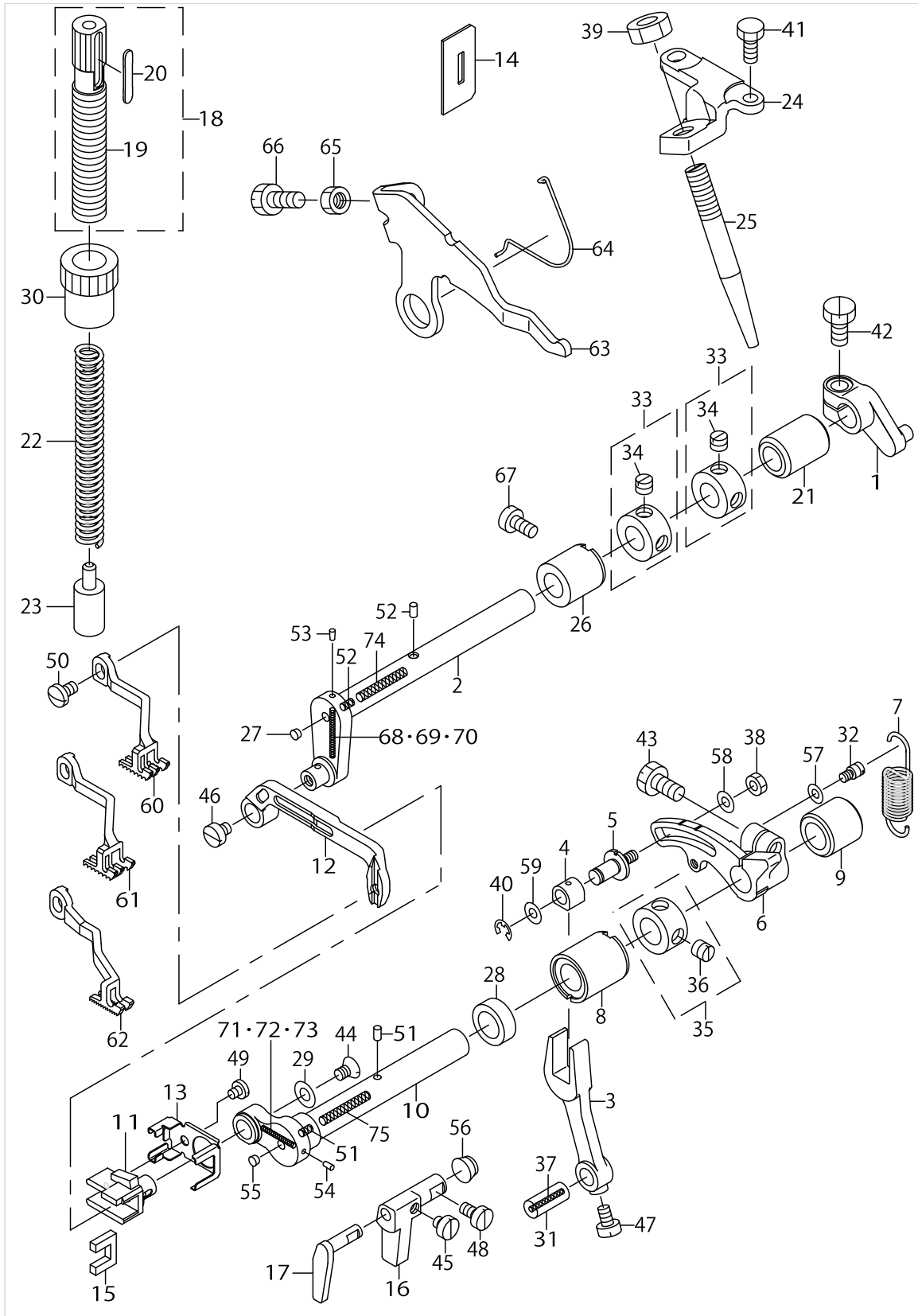
FEED MECHANISM COMPONENTS (2)



FEED MECHANISM COMPONENTS (2)

No.	C- ons	Le- vel	Parts No.	Replacement	Supply Code	Parts name	Qty	R- ep. Q- TY	Status	Spec	Remarks
61			WP0371016SD			WASHER 3.7X8X1	2				
62			SL4051231SC			SCREW M5 L=12	2				
63			SS4090515SP			SCREW 9/64-40 L=5	2				
64			WP0621016SD			WASHER 6.2X13X1	1				
65			B1647704000A			DIFFERENTIAL FEED LOCI	1				
66			B1646704000A			DIFFERENTIAL FEED HINC	1				
67			11826005			DIFFERENTIAL FEED BLOC	1				
68			WP0460556SD			WASHER 4.6X7.5X0.5	1				
69			11826203			SPRING	1				
70			12118709			ROCKER SHAFT METAL	1				
71			RO060150100			RUBBER RING	1				

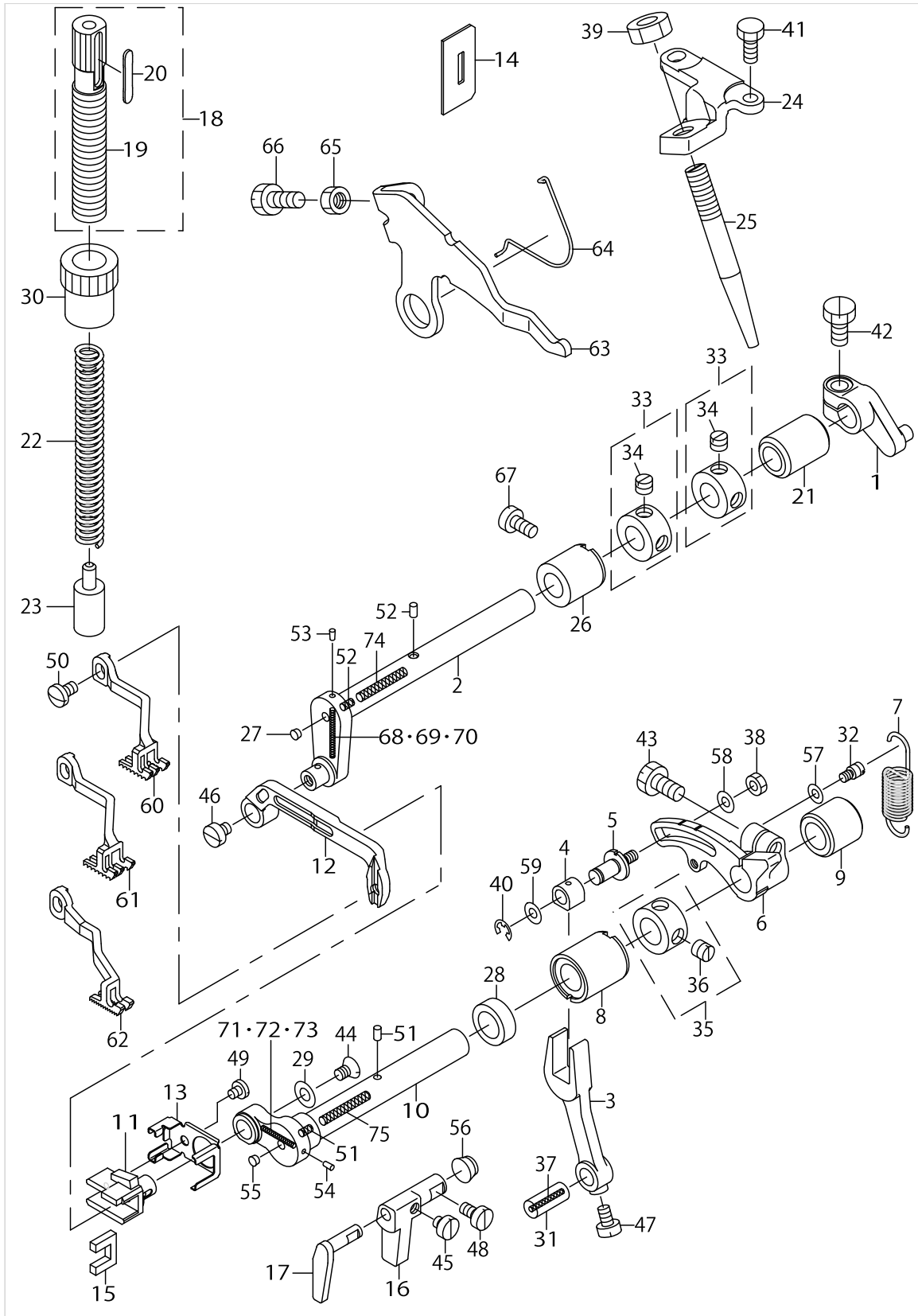
UPPER FEED MECHANISM COMPONENTS (1)



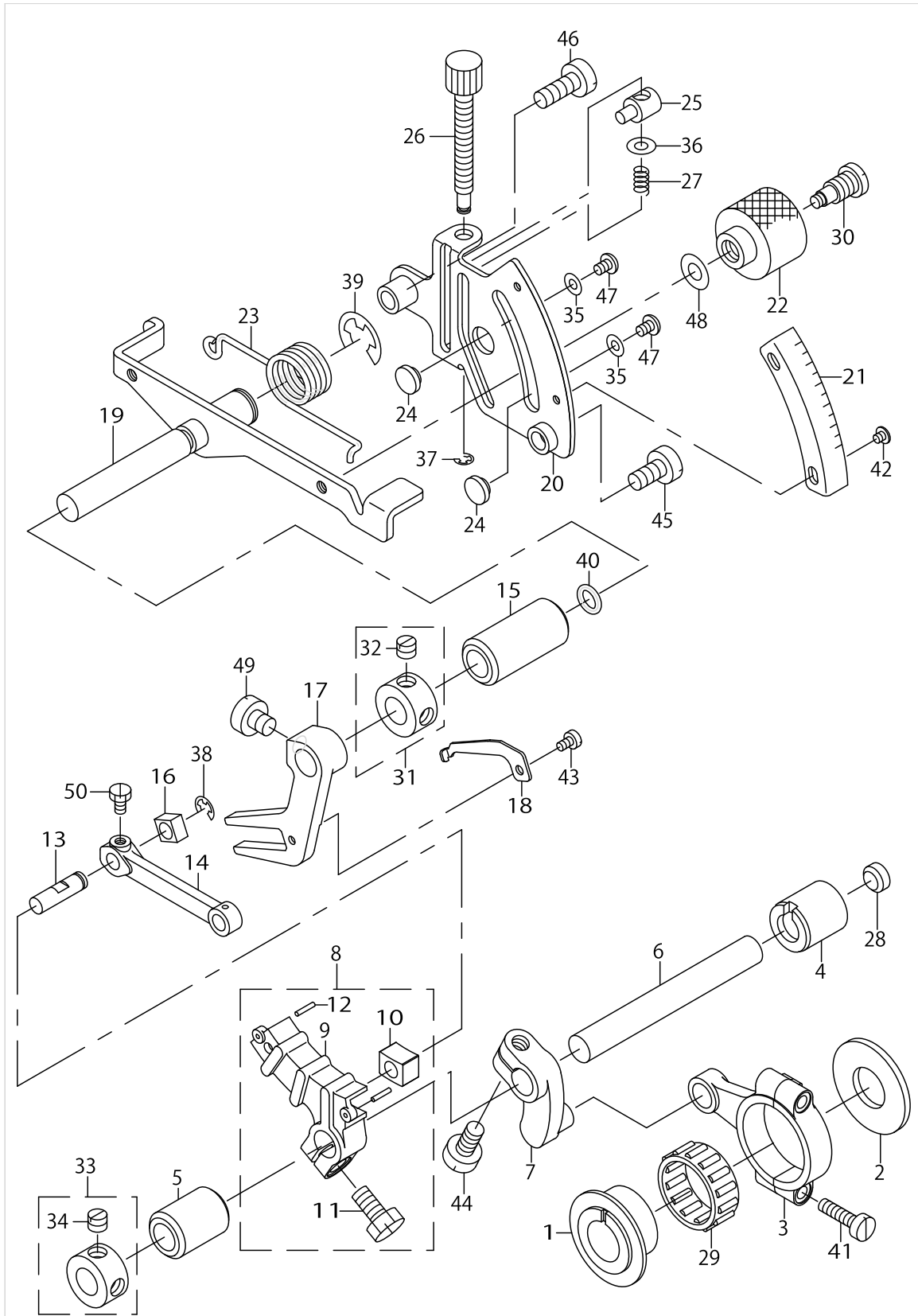
UPPER FEED MECHANISM COMPONENTS (1)

No.	C- ons	Le- vel	Parts No.	Replacement	Supply Code	Parts name	Qty	R- ep. Q- TY	Status	Spec	Remarks
1			12309100	31208507	Replaced	HORIZONTAL ARM C	1	1.00			
2			12309209		Discontinue	HORIZONTAL SHAFT	1				
3			12309308	31208705	Replaced	VERTICAL ROD	1	1.00			
4			12309407	31208804	Replaced	VERTICAL SLIDE BLOCK	1	1.00			
5			12309506	31208903	Replaced	VERTICAL ADJUST PIN	1	1.00			
6			12309605			ADJUST ARM	1				
7			12309704			ADJUST ARM SPRING	1				
8			12309803	13277405	Replaced	SHAFT METAL(FRONT)	1	1.00			
9			12309902			VERTICAL SHAFT REAR M	1				
10			12310009			SHAFT	1				
11			12310108	13276308	Replaced	UPPER FEED SLIDE BLOC	1	1.00			
12			12310207			UPPER FEED BAR	1				
13			12310306			OIL THROWER RUBBER PR	1				
14			12306007			LIFTER RUBBER	1				
15			12310504			FEED BAR FELT	1				
16			12310603	13276407	Replaced	GUIDE A	1	1.00			
17			12310702		Discontinue	GUIDE B	1				
18			12310850			ADJUST SCREW ASM.	1				
19	*		12310801			ADJUST SCREW	1				
20	*		12310900	12310850	Replaced	ADJUST SCREW PLATE	1	1.00			
21			12308409			METAL, REAR	1				
22			12311007			UPPER PRESSER SPRING	1				
23			12311106			UPPER PRESSER SLIDE BLO	1				
24			12312203			SHAFT SCREW BACE	1				
25			12312302	31211402	Replaced	SHAFT SCREW	1	1.00			
26			12308300			METAL,FRONT	1				
27			TA0340201R0			PLUG D=3.4X3.9 L=S	1				
28			11566809			OIL SEAL	1				
29			11913407			SLIDE BLOCK WASHER	1				
30			11914405			NUT	1				
31			B1612804C00			CRANK PIN C	1				SELECTIVE PAF
32			B2024771000	40009196	Replaced	SUSPENSION SCREW	1	1.00			
33			CS100101ESH			THRUST COLLAR ASM.	2				
34	*		SS8660530TP			SCREW 1/4-40 L= 4.5	2				
35			CS111101HSH			THRUST COLLAR ASM.	1				
36	*		SS8660330SP			SCREW 1/4-40 L= 3.0	1				
37			CQ202000000			OIL WICK	.08				
38			NM6040000SN			NUT M4	1				
39			NM6080011SF			NUT M8	1				
40			RE0400000K0			E-RING 4	1				
41			SM9051203CP			SCREW M5 L=12	2				
42			SM9061250TP			SCREW M6 L=12	1				
43			SM9061250TP			SCREW M6 L=12	1				
44			SS2110710TP			SCREW 11/64-40 L=7	1				
45			SS6110420TP			SCREW 11/64-40 L=4.8	1				
46			SS6110520TP			SCREW 11/64-40 L=4.5	1				
47			SS6110710TP			SCREW 11/64-40 L= 6.5	1				
48			SS6110820TP			SCREW 11/64-40 L=8	1				
49			SS7090410SP			SCREW 9/64-40 L= 3.5	1				
50			SS7110740TP			SCREW 11/64-40 L=7	1				
51			B3525704000			OIL FELT	2				
52			B3525704000			OIL FELT	2				
53			TA0180401M0			NEEDLE COOLER PLUG C	1				
54			TA0180401M0			NEEDLE COOLER PLUG C	1				
55			TA0340201R0			PLUG D=3.4X3.9 L=S	1				
56			TA0800501R0			PLUG D=8X8.2 L=5	1				
57			WP0371036SD			WASHER 3.7X6X1	1				
58			WP0451026SH			WASHER	1				
59			WP0621016SH			WASHER	1				
60			12388807			UPPER FEED DOG	1				FOR MOJ-3904

UPPER FEED MECHANISM COMPONENTS (1)



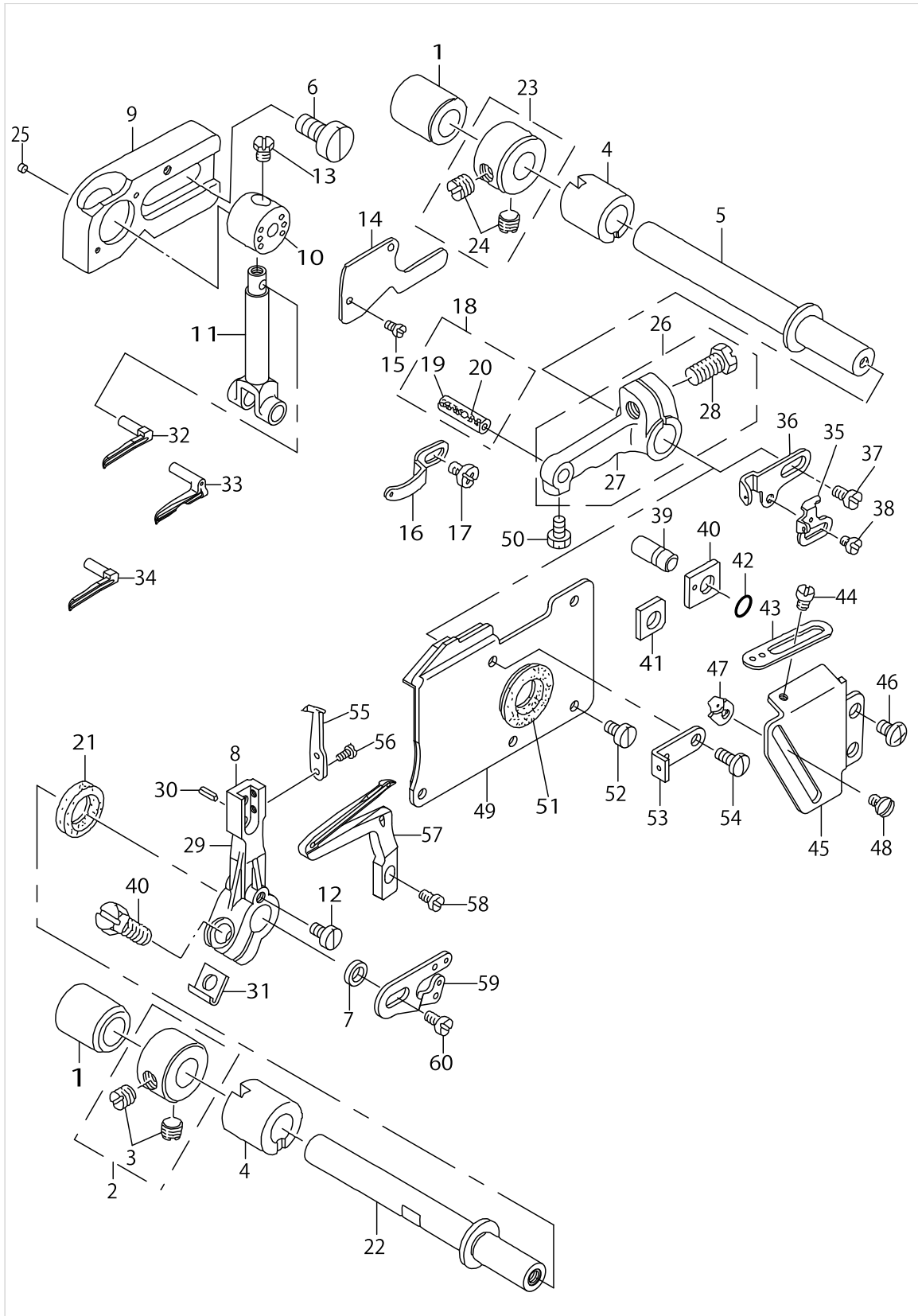
UPPER FEED MECHANISM COMPONENTS (2)



UPPER FEED MECHANISM COMPONENTS (2)

No.	C- ons	Le- vel	Parts No.	Replacement	Supply Code	Parts name	Qty	R- ep. Q- TY	Status	Spec	Remarks
1			12308003		Disconinue	HORIZONTAL FEED CAM	1				
2			12308102			CAM SPACER	1				
3			12308201	12308250	Replaced	HORIZONTAL ROD	1	1.00			
4			12308300			METAL,FRONT	1				
5			12308409			METAL, REAR	1				
6			12308508			HORIZONTAL DRIVING SH.	1				
7			12308607	31207905	Replaced	HORIZONTAL ARM A	1	1.00			
8			12308755			HORIZONTAL ARM B ASM.	1				
9	*		12308706	12308755	Replaced	HORIZONTAL ARM B	1	1.00			
10	*		12308805	12308755	Replaced	HORIZONTAL SLIDE BLOC	1	1.00			
11	*		SM9061250TP			SCREW M6 L=12	1				
12	*		PS0150082KH			SPRING PIN	2				
13			12308904			HORIZONTAL FEED PIN	1				
14			12309001		Disconinue	VERTICAL FEED LINK	1				
15			12311205			METAL	1				
16			12311304	31210305	Replaced	HORIZONTAL SLIDE BLOC	1	1.00			
17			12311403		Disconinue	VERTICAL FORKED ARM	1				
18			12311502	31210503	Replaced	HORIZONTAL BRANCH ST	1	1.00			
19			12311650	31210750	Replaced	ADJUSTING SHAFT ASM.	1	1.00			
20			12311809			UPPER FEED SCALE PLATI	1				
21			12311908			UPPER FEED GRADUATION	1				
22			12312005			UPPER FEED LOCK NUT	1				
23			12312104			UPPER FEED LEVER SPRIN	1				
24			11529005			STOPPER	2				
25			11826005			DIFFERENTIAL FEED BLOC	1				
26			11826104			DIFFERENTIAL FEED SCRE	1				
27			11826203			SPRING	1				
28			11898400			RUBBER PLUG B	1				
29			12116703			NEEDLE BEARING B	1				SELECTIVE PAF
30			B1646704000A			DIFFERENTIAL FEED HINC	1				
31			CS100101ESH			THRUST COLLAR ASM.	1				
32	*		SS8660530TP			SCREW 1/4-40 L= 4.5	1				
33			CS100101ESH			THRUST COLLAR ASM.	1				
34	*		SS8660530TP			SCREW 1/4-40 L= 4.5	1				
35			WP0371016SD			WASHER 3.7X8X1	2				
36			WP0460556SD			WASHER 4.6X7.5X0.5	1				
37			RE0300000K0			E-RING 3	1				
38			RE0400000K0			E-RING 4	1				
39			RE0900000K0			E-RING 9	1				
40			RO068190100			RUBBER RING	1				
41			SS7111810TP			SCREW 11/64-40 L=18	2				
42			SM0030301SN			SCREW	2				
43			SM6030510SC			SCREW M3X0.5 L=5	1				
44			SM9061250TP			SCREW M6 L=12	1				
45			SM6061210SC			SCREW M6 L=12	1				
46			SM6061610SC			SCREW M6 L=16	1				
47			SS4090515SP			SCREW 9/64-40 L=5	2				
48			WP0621016SD			WASHER 6.2X13X1	1				
49			SS6660710TP			SCREW 1/4-40 L=7	1				
50			SS9090610TP			SCREW 9/64-40 L=5.5	1				

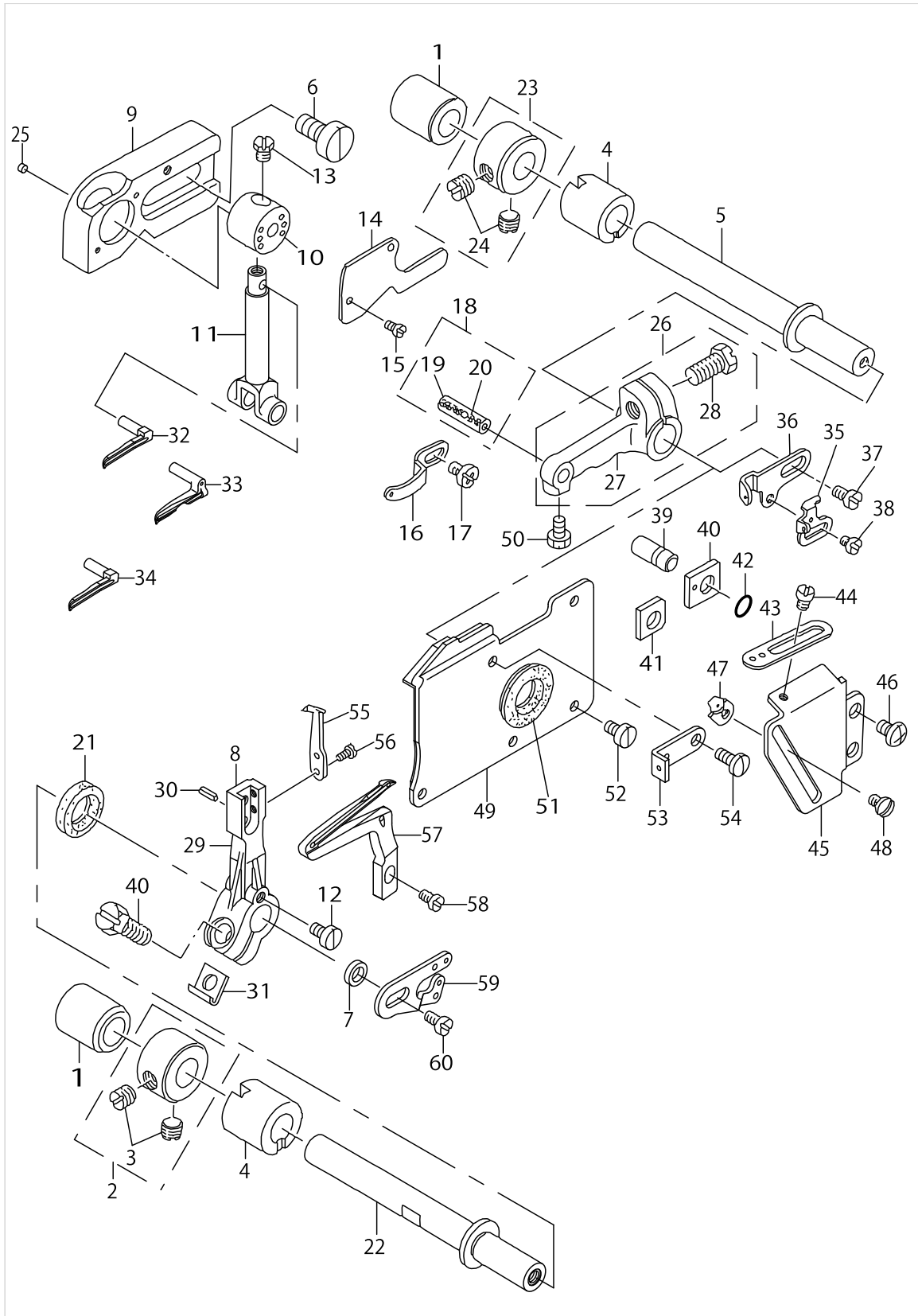
UPPER & LOWER LOOPER COMPONENTS



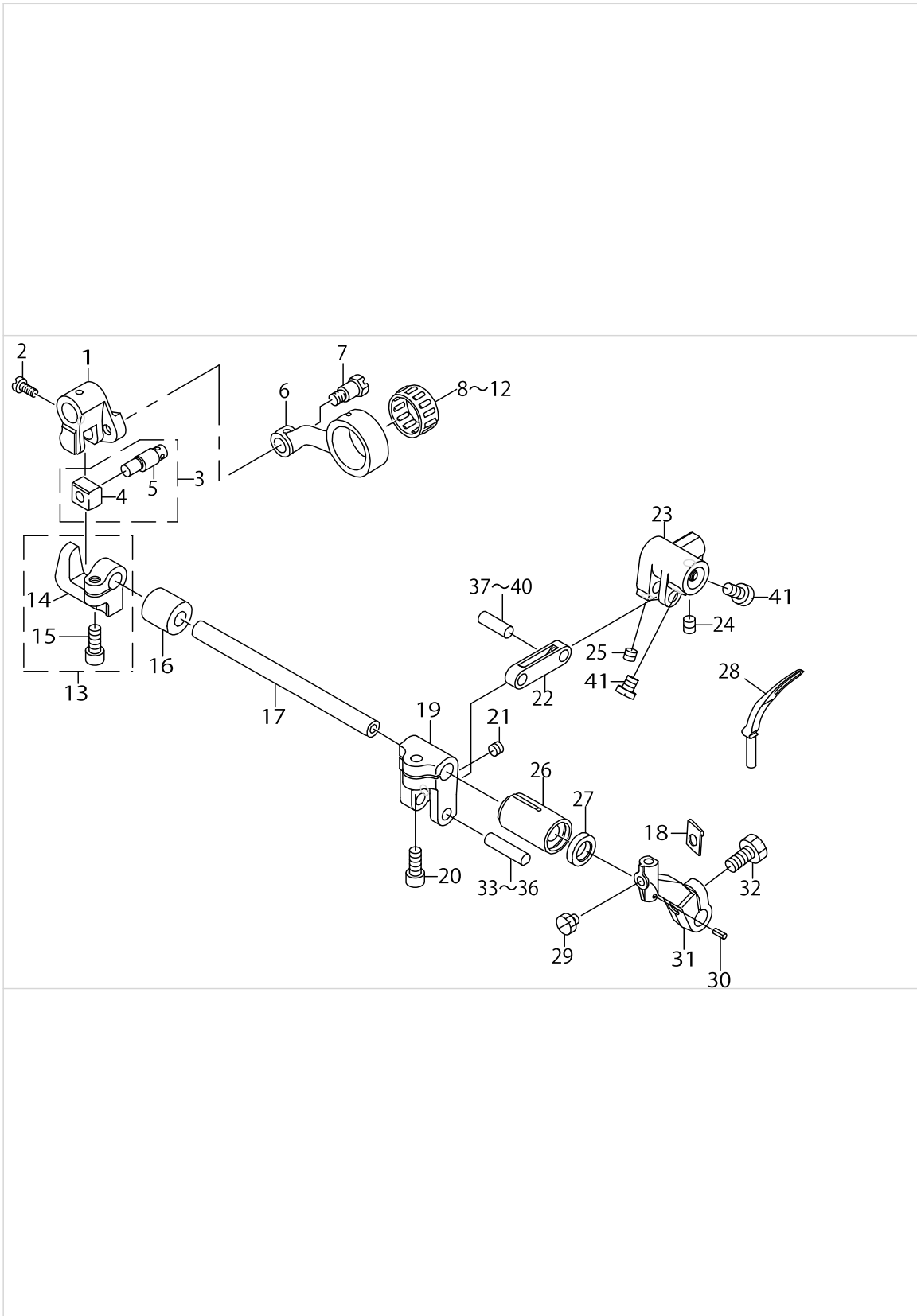
UPPER & LOWER LOOPER COMPONENTS

No.	C- ons	Le- vel	Parts No.	Replacement	Supply Code	Parts name	Qty	R- ep- Q- TY	Status	Spec	Remarks
1			12122610		Disconinue	BUSHING REAR	2				
2			CS1031210SH			THRUST COLLAR ASM. D=	1				FOR MOJ-3904,
3		*	SS8660610TP			SCREW 1/4-40 L=6	2				
4			12122511	13222609	Replaced	LOOPER SHAFT FRONT BU	2	1.00			
5			12122404	13132303	Replaced	UPPER LOOPER SHAFT	1	1.00			
6			SM6061200SP			SCREW	2				
7			12124608	13132600	Replaced	COLLAR	1	1.00			
8			12124806			LOWER LOOPER SUPPORT	1				
9		*	11544400	11544590	Replaced	UPPER LOOPER GUIDE RE	1	1.00	選択部品	A: MO2500J	
9		*	11544400	11544582	Replaced	UPPER LOOPER GUIDE RE	1	1.00	選択部品	B: MO2500G	
9		*	11544400	11544350	Replaced	UPPER LOOPER GUIDE RE	1	1.00	選択部品	C: MO2500G	
10		*	11544517	11544350	Replaced	UPPER LOOPER GUIDE	1	1.00	選択部品	A: MO1516G	
10		*	11544517	11544590	Replaced	UPPER LOOPER GUIDE	1	1.00	選択部品	B: MO2500J	
10		*	11544517	11544582	Replaced	UPPER LOOPER GUIDE	1	1.00	選択部品	C: MO2500G	
11		*	11582103		Disconinue	UPPER LOOPER HOLDER	1				
12			SS6090630TP			SCREW 9/64-40 L=6	1				
13			SS9090410TP			SCREW	1				
14			12004206			UPPER LOOPER GUIDE CC	1				
15			SS7060610SP			SCREW 3/32-56 L= 5.5	2				
16			11833308			UPPER LOOPER THREAD C	1				
17			SS4090615SP			SCREW 9/64-40 L=6	1				
18			11831757		Disconinue	PIN ASM.	1				SELECTING PAI
19		*	B1422804A00			PIN (A)	1				SELECTING PAI
20		*	CQ202000000			OIL WICK	0.04				
21			B2508704000	40176173	Replaced	OIL SEAL	1	1.00			
22			12123410	13221700	Replaced	LOWER LOOPER SHAFT	1	1.00			
23			CS1031210SH			THRUST COLLAR ASM. D=	1				
24		*	SS8660610TP			SCREW 1/4-40 L=6	2				
25			12004503			UPPER LOOPER GUIDE FEI	1				
26			11582079		Disconinue	LOOPER HOLDER ASM.	1				
27		*	11582012		Disconinue	UPPER LOOPER ARM	1				
28		*	SS9151210TP			SCREW 15/64-28 L=11.8	1				
29			12123501	13132550	Replaced	LOWER LOOPER SUPPORT	1	1.00			
30			PS0300062KH			SPRING PIN 3X6	1				
31			B2531704000	13129309	Replaced	WASHER	1	1.00			
32			12383808			UPPER SPRING	1				FOR MOJ-3904
33			12383600			UPPER LOOPER	1				FOR MOJ-3914
34			12383501			UPPER LOOPER	1				FOR MOJ-3916
35			11833506			LOWER LOOPER THREAD	1				
36			12124004		Disconinue	THREAD TAKE-UP, RIGHT	1				
37			SS7110840SP			SCREW 11/64-40 L=7.8	1				
38			SS6080410SP			SCREW 1/8-44 L=4	1				
39			11831906			PIN	1				
40			SS9151210TP			SCREW 15/64-28 L=11.8	1				
41			12375606			SUPPORT GAUGE	1				FOR MOJ-3916
42			RO037180100			RUBBER RING	1				
43			12123907		Disconinue	THREAD GUIDE, RIGHT	1				
44			SS3090610SP			SCREW 9/64-40 L=6	1				
45			12123808		Disconinue	LOOPER THREAD TAKE-U	1				
46			SM4040655SP			SCREW M4 L=6	2				
47			11833407		Disconinue	LOWER LOOPER THREAD	1				
48			SS3090610SP			SCREW 9/64-40 L=6	1				
49			12375952			OIL SHIELD ASM.	1				
50			SS9090610TP			SCREW 9/64-40 L=5.5	1				
51			B2530704000			UPPER LOOPER SHAFT RU	1				
52			SS6090630SP	SS6090630TP	Replaced	SCREW 9/64-40 L=6	4	1.00			
53			11833100	12340600	Replaced	LOOPER THREAD GUIDE	1	1.00			
54			SS7090850SP			SCREW 9/64-40 L=8	1				
55			11890001			TRAVELING NEEDLE GUAF	1				
56			SS6060440TP			SCREW 3/32-56 L=3.5	2				

UPPER & LOWER LOOPER COMPONENTS



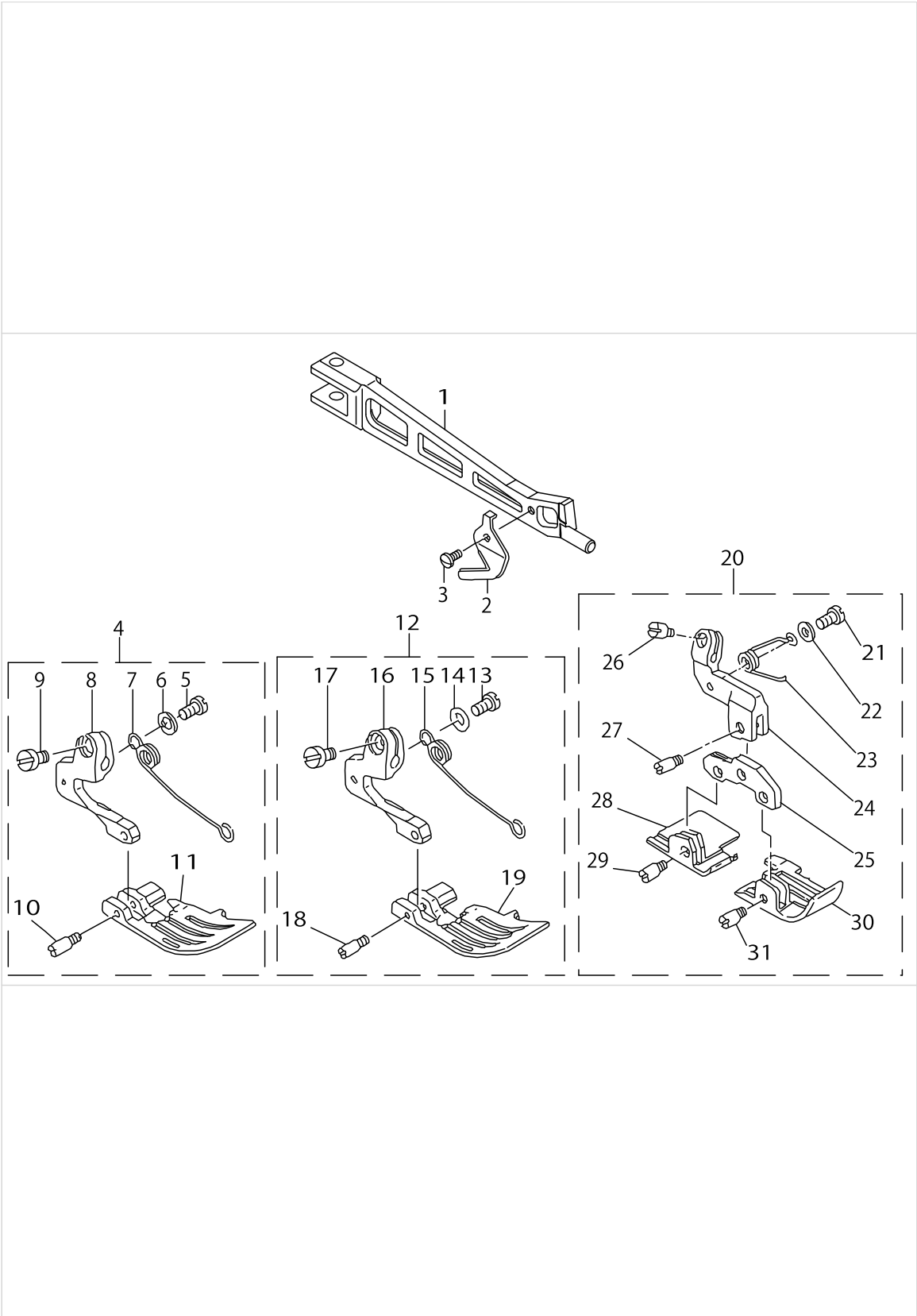
CHAIN LOOPER COMPONENTS (FOR MOJ-3916)



CHAIN LOOPER COMPONENTS (FOR MOJ-3916)

No.	C- ons	Le- vel	Parts No.	Replacement	Supply Code	Parts name	Qty	R- ep. Q- TY	Status	Spec	Remarks
1			11829900	13126008	Replaced	CHAIN LOOPER SHAFT SL	1	1.00			
2			SS7110720TP			SCREW 11/64-40 L=7	1				
3			11829751	13126354	Replaced	CHAIN LOOPER SLIDE BLC	1	1.00			
4		*	B2105816000	13126305	Replaced	CHAIN LOOPER SLIDE BLC	1	1.00			
5		*	B2120816000	11829751	Replaced	CHAIN LOOPER SLIDE BLC	1	1.00			
6			B2102816000A	12284105	Replaced	CHAIN LOOPER ROD (22M	1	1.00			
7			SD0720803TH			STEP-SCREW D=7.24 H=8	1				
8			B2119816A00			BEARING A	1				SELECTING PAI
9			B2119816B00			BEARING B	1				SELECTING PAI
10			B2119816C00			BEARING C	1				SELECTING PAI
11			B2119816D00			BEARING D	1				SELECTING PAI
12			B2119816E00		Disconinue	BEARING E	1				SELECTING PAI
13			12120465	13129853	Replaced	BRACKET ASM.	1	1.00			
14		*	12120416	12342309	Replaced	BRACKET	1	1.00			
15		*	SM6051202TP			SCREW M5X0.8 L=12	1				
16			B2111716000	13127006	Replaced	BUSHING, REAR	1	1.00			
17			12120507		Disconinue	CHAIN LOOPER SHAFT	1				
18			B2531704000	13129309	Replaced	WASHER	1	1.00			
19			12374104	40078484	Replaced	DRIVING ARM	1	1.00			
19			12374104	SS4080620TP	Replaced	DRIVING ARM	1	1.00			
19			12374104	SM8050402TP	Replaced	DRIVING ARM	1	1.00			
20			SM6051202TP			SCREW M5X0.8 L=12	1				
21			SM8050402TP			SCREW	1				
22			12374203			DRIVING LINK	1				
23			12374013		Disconinue	LOWER LOOPER BALL ARI	1				
24			SM8050602TP			SCREW M5 L=6	1				
25			SM8050402TP			SCREW	1				
26			12122008	13128103	Replaced	BUSHING, FRONT	1	1.00			
27			B2525352000	40010805	Replaced	OIL SEAL RING	1	1.00			
28			12384400			CHAIN LOOPER	1				
29			SS9110430TP			SCREW 11/64-40 L=4	1				
30			PS0200062KH			SPRING PIN 2X6	1				
31			11829314			CHAIN LOOPER DRIVING A	1				
32			SS9151210TP			SCREW 15/64-28 L=11.8	1				
33			12258505	13126701	Replaced	PIN, LONG	1	1.00			SELECTING PAI
34			12258604	13126800	Replaced	PIN, LONG	1	1.00			SELECTING PAI
35			12258307	13126503	Replaced	PIN, LONG	1	1.00			SELECTING PAI
36			12258406	13126602	Replaced	PIN, LONG	1	1.00			SELECTING PAI
37			12259008			PIN, SHORT	1				SELECTING PAI
38			12259107		Disconinue	PIN, SHORT	1				SELECTING PAI
39			12258802			PIN, SHORT	1				SELECTING PAI
40			12258901			PIN, SHORT	1				SELECTING PAI
41			SS6110710TP			SCREW 11/64-40 L= 6.5	2				

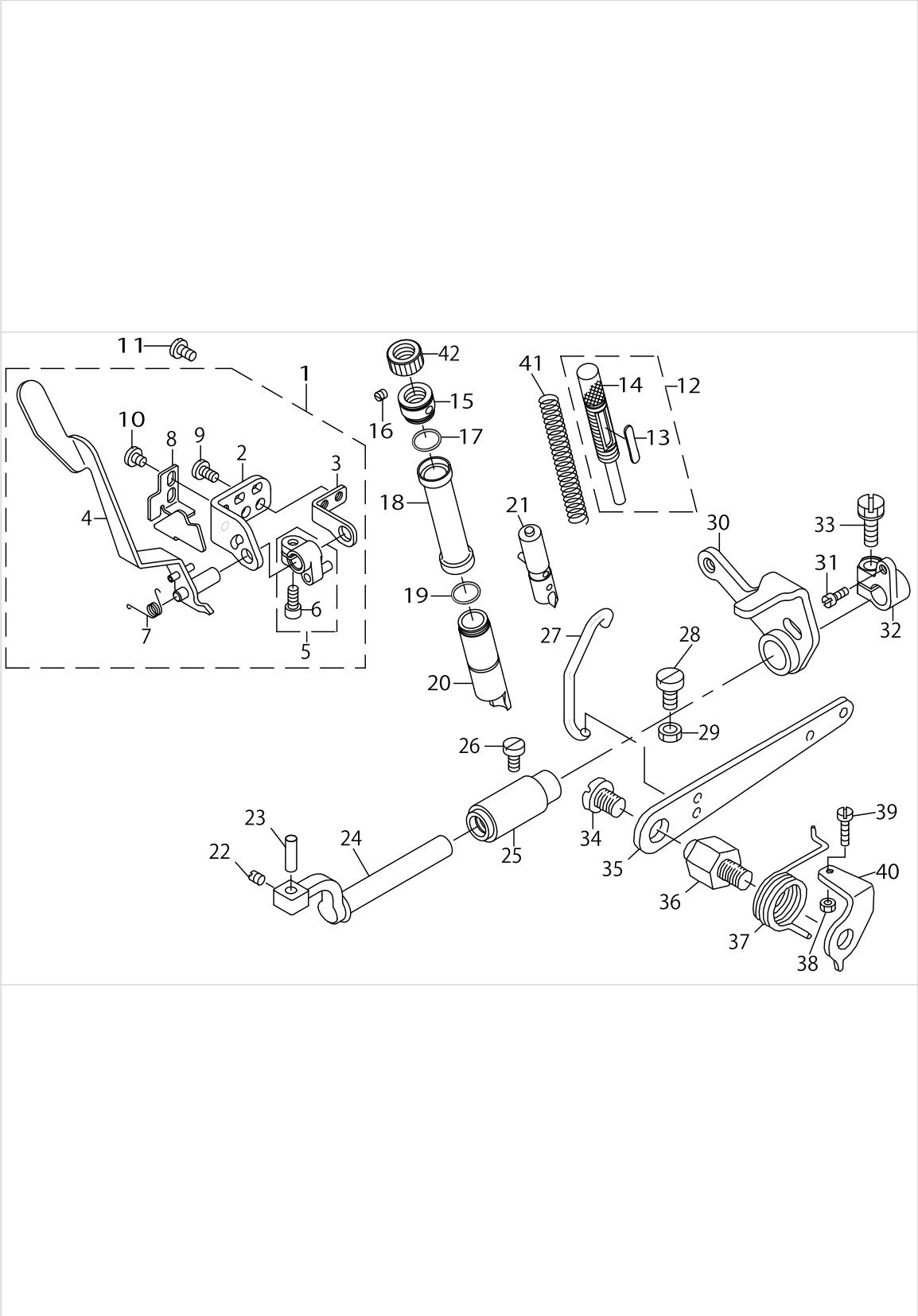
PRESSER FOOT COMPONENTS (1)



PRESSER FOOT COMPONENTS (1)

No.	C- ons	Le- vel	Parts No.	Replacement	Supply Code	Parts name	Qty	R- ep. Q- TY	Status	Spec	Remarks
1			12305603		Disconinue	PRESSER FOOT ARM	1				
2			B1528804000A			THREAD TRIMMER	1				
3			SS7060510SP			SCREW 3/32-56 L=4.8	1				
4			12022950			PRESSER FOOT ASM.	1				FOR MOJ-3904
5		*	SS7080520SP			SCREW 1/8-44 L=4.9	1				
6		*	WP0371026SD			WASHER 3.7X7X1	1				
7		*	11930906			PRESSER FOOT SPRING	1				
8		*	11925104			PRESSER FOOT HINGE	1				
9		*	SS6090650SP	SS6090670TP	Replaced	SCREW 9/64-40 L=6	1	1.00			
10		*	11930609			HINGE PIN	1				
11		*	12022901	12022950	Replaced	PRESSER FOOT	1	1.00			
12			12012555			PRESSER ASM.	1				FOR MOJ-3914
13		*	SS7080520SP			SCREW 1/8-44 L=4.9	1				
14		*	WP0371026SD			WASHER 3.7X7X1	1				
15		*	11930906			PRESSER FOOT SPRING	1				
16		*	11925104			PRESSER FOOT HINGE	1				
17		*	SS6090650SP	SS6090670TP	Replaced	SCREW 9/64-40 L=6	1	1.00			
18		*	11930609			HINGE PIN	1				
19		*	12012506	12012555	Replaced	PRESSER FOOT	1	1.00			
20			12023255			PRESSER FOOT ASM.	1				FOR MOJ-3916
21		*	SS7080520SP			SCREW 1/8-44 L=4.9	1				
22		*	WP0371026SD			WASHER 3.7X7X1	1				
23		*	11929403			PRESSER FOOT SPRING	1				
24		*	12024303			HINGE ARM	1				
25		*	12024402	12023255	Replaced	PRESSER FOOT HINGE	1	1.00			
26		*	SS6090650SP	SS6090670TP	Replaced	SCREW 9/64-40 L=6	1	1.00			
27		*	12024501			HINGE PIN	1				
28		*	12023305	12023255	Replaced	REAR PRESSER FOOT	1	1.00			
29		*	12024501			HINGE PIN	1				
30		*	12023206	12023255	Replaced	FRONT PRESSER FOOT	1	1.00			
31		*	12024501			HINGE PIN	1				

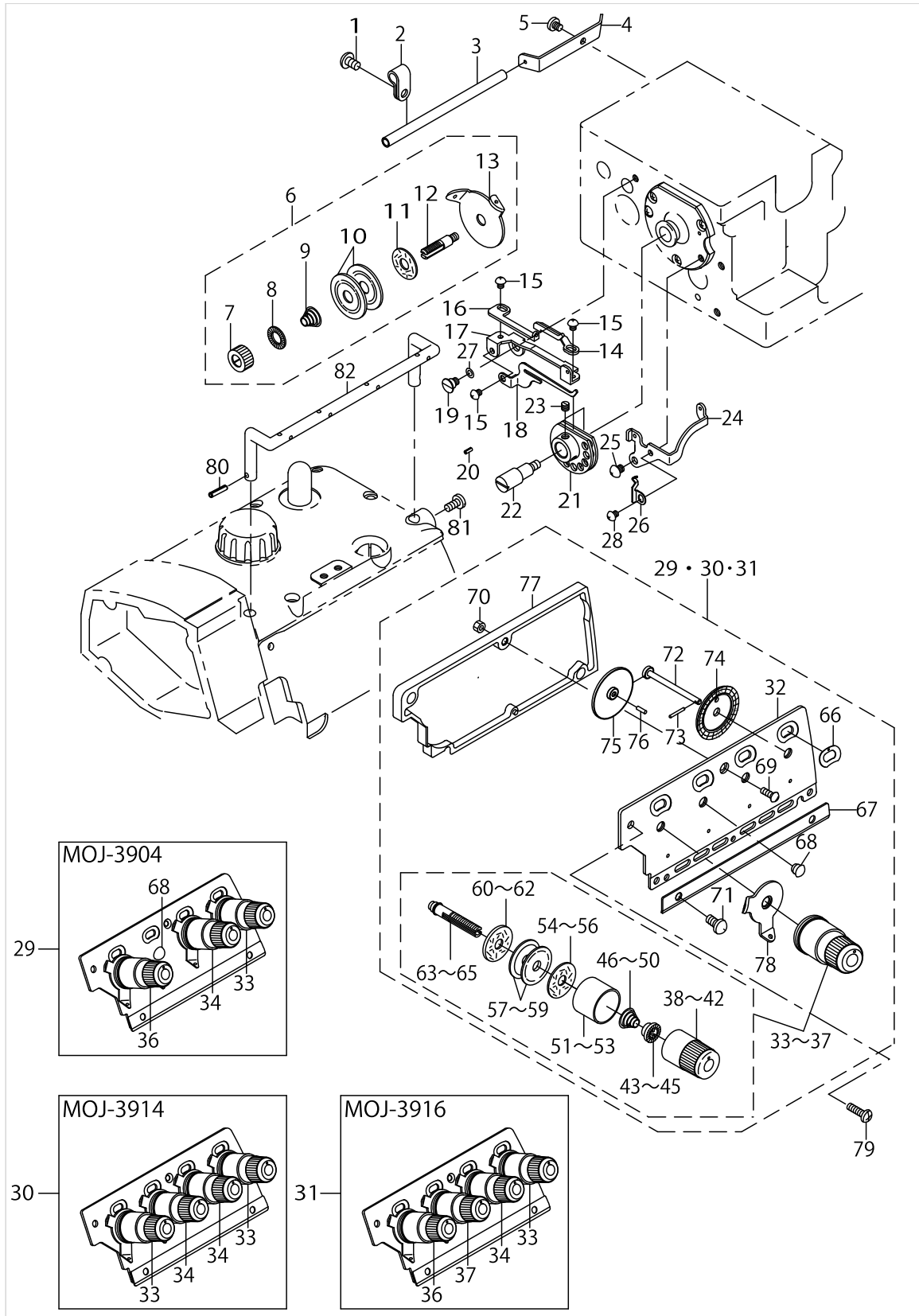
PRESSER FOOT COMPONENTS (2)



PRESSER FOOT COMPONENTS (2)

No.	C- ons	Le- vel	Parts No.	Replacement	Supply Code	Parts name	Qty	R- ep. Q- TY	Status	Spec	Remarks
1			12306155	13274253	Replaced	FOOT LIFTING LEVER STA	1	1.00			
2		*	12306106			FOOT LIFTING LEVER STA	1				
3		*	12306205			FOOT LIFTING LEVER STA	1				
4		*	12306353			FOOT LIFTING LEVER JUN	1				
5		*	12306551			UPPER FEED DOG LIFTER	1				
6		*	SS6111052TP			SCREW	1				
7		*	12306601			SPRING	1				
8		*	12306700			PRESSER ARM STOPPER	1				
9		*	SS7110840SP			SCREW 11/64-40 L=7.8	2				
10		*	SS7110510SP			SCREW 11/64-40 L=5	2				
11			SS7110840SP			SCREW 11/64-40 L=7.8	2				
12			12305959		Disconinue	PRESSER REGULATOR SCR	1				
13		*	12310900	12310850	Replaced	ADJUST SCREW PLATE	1	1.00			
14		*	12305900			PRESSER REGULATOR SCR	1				
15			12288700			PRESSER REGULATOR SCR	1				
16			SM8040402TP			SCREW M4X0.7 L=4	1				
17			RO110090100			RUBBER RING	1				
18			12114906			PRESSER BAR COVER	1				
19			RO110090100			RUBBER RING	2				
20			12373007			PRESSER BAR METAL	1				
21			12305850	40011753	Replaced	PRESSER BAR ASM.	1	1.00			
22			SS8110520TP			SCREW 11/64-40 L= 4.5	1				
23			B1534804000		Disconinue	PRESSER FOOT ARM HING	1				
24			12113205	13115001	Replaced	PRESSER FOOT SHAFT	1	1.00			
25			12305009			BUSHING	1				
26			SS6121020SP			SCREW 3/16-28 L= 9.5	1				
27			12306809			LIFTING HOOK	1				
28			SM6061200SP			SCREW	1				
29			NM6060003SC			NUT M6	1				
30			12305256	31204258	Replaced	PRESSER LIFTING ARM ASM	1	1.00			
31			SS6110710TP			SCREW 11/64-40 L= 6.5	1				
32			12113817			PRESSER FOOT SHAFT TH	1				
33			SS9151210TP			SCREW 15/64-28 L=11.8	1				
34			SS7161040SP			SCREW 1/4-24 L= 9.5	1				
35			11819315	13116900	Replaced	LIFTING LEVER	1	1.00			
36			11819109			LIFTING LEVER SCREW	1				
37			11819208			LIFTING LEVER SPRING	1				
38			NS6110420SP			NUT 11/64-40	1				
39			SS7111410SP	SS7111410TP	Replaced	SCREW 11/64-40 L=14	1	1.00			
40			B1529804000		Disconinue	PRESSER FOOT LIFTING LI	1				
41			12115903		Disconinue	PRESSER SPRING	1				
42			12114807			PRESSER REGULATOR NU1	1				

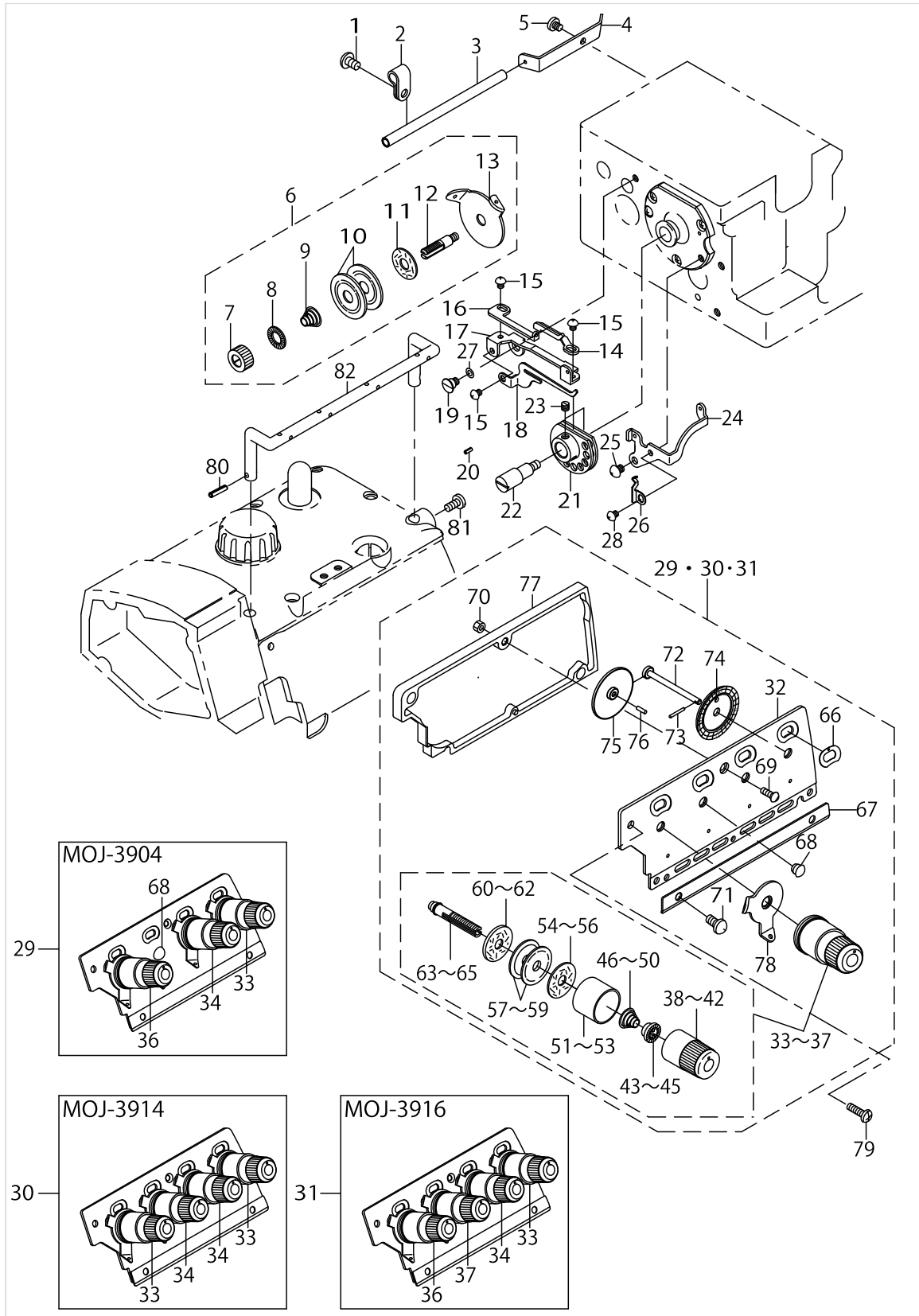
THREAD TENSION COMPONENTS



THREAD TENSION COMPONENTS

No.	C- ons	Le- vel	Parts No.	Replacement	Supply Code	Parts name	Qty	R- ep- Q- TY	Status	Spec	Remarks
1			SM4050855SP			SCREW	1				FOR MOJ-3916
2			B3113352000	13129259	Replaced	MOUNTING BRACKET	1	1.00			FOR MOJ-3916
3			B2401816000			LOOPER THREAD GUIDE T	1				FOR MOJ-3916
4			B2402716000	13129101	Replaced	LOOPER THREAD GUIDE T	1	1.00			FOR MOJ-3916
5			SS5150510SP			SCREW 15/64-28 L=5	1				FOR MOJ-3916
6			11550852		Disconinue	TENSION CONTROLLER AS	1				FOR MOJ-3916
7		*	B2314019000			TENSION POST NUT	1				
8		*	B3120125000			ROTATING STOPPER	1				
9		*	B2017372000			TENSION SPRING NO.1	1				
10		*	B3126012000	22921506	Replaced	THREAD TENSION DISK	2	1.00			
11		*	B3120352000	13139902	Replaced	THREAD TENSION SPRING	1	1.00			
12		*	11550803	13140009	Replaced	THREAD TENSION POST	1	1.00			
13		*	11550308	13139605	Replaced	THREAD GUIDE	1	1.00			
14			12120903		Disconinue	THREAD GUIDE A	1				FOR MOJ-3916
15			SS4090415SP			SCREW 9/64-40 L=4	3				FOR MOJ-3916
16			12121000		Disconinue	THREAD GUIDE B	1				FOR MOJ-3916
17			12120804		Disconinue	THREAD GUIDE BASE	1				FOR MOJ-3916
18			12121109			THREAD GUIDE HOOK	1				FOR MOJ-3916
19			SD0600341TP			HINGE SCREW D=6.0 H=3.4	1				FOR MOJ-3916
20			PS0200052KH			SPRING PIN 2.3X5	1				FOR MOJ-3916
21			12347555	13129457	Replaced	LOWER THREAD CAM COI	1	1.00			FOR MOJ-3916
22			B2202816000	13130000	Replaced	SHAFT	1	1.00			FOR MOJ-3916
23			SS8110410TP			SCREW 11/64-40 L= 3.5	2				FOR MOJ-3916
24			12121208			THREAD GUIDE	1				FOR MOJ-3916
25			SS4110515SP			SCREW 11/64-40 L=5	1				FOR MOJ-3916
26			12121307			THREAD GUIDE SPRING	1				FOR MOJ-3916
27			WZ0640312K0			WAVED WASHER	1				FOR MOJ-3916
28			SS4090415SP			SCREW 9/64-40 L=4	1				FOR MOJ-3916
29			12388054			THREAD GUIDE PLATE	1				FOR MOJ-3904
30			12388153		Disconinue	THREAD GUIDE PLATE	1				FOR MOJ-3914,
31			12388252		Disconinue	THREAD GUIDE PLATE	1				FOR MOJ-3916
32		*	12126207			THREAD GUIDE PLATE	1				
33		*	12126868		Disconinue	KNOB ASM.,RED	1				
34		*	12126967		Disconinue	KNOB ASM.,YELLOW	1				
35		*	12127064		Disconinue	KNOB ASM.,BLUE	1				
36		*	12127163			KNOB ASM.,VIOLET	1				
37		*	12127262		Disconinue	KNOB ASM.,GREEN	1				
38		*	12126918		Disconinue	KNOB ,YELLOW	1				
39		*	12126819		Disconinue	KNOB ,RED	1				
40		*	12127015		Disconinue	KNOB ,BLUE	1				
41		*	12127114			KNOB,VIOLET	1				
42		*	12127213			KNOB,GREEN	1				
43		*	B3112704000			TENSION SPRING BUSHING	1				
44		*	B3112704000			TENSION SPRING BUSHING	1				
45		*	B3112704000			TENSION SPRING BUSHING	1				
46		*	B3102804000		Disconinue	TENSION SPRING, YELLOW	1				
47		*	B3101804000			TENSION SPRING, RED	1				
48		*	B3103804000			TENSION SPRING, BLUE	1				
49		*	11550100			TENSION SPRING, PURPLE	1				
50		*	11550209	13140504	Replaced	TENSION SPRING, GREEN	1	1.00			
51		*	12126702			TESION DISK PRESSER	1				
52		*	12126702			TESION DISK PRESSER	1				
53		*	12126702			TESION DISK PRESSER	1				
54		*	B3120704000	13138102	Replaced	THREAD TENSION SPRING	1	1.00			
55		*	B3120704000	13138102	Replaced	THREAD TENSION SPRING	1	1.00			
56		*	B3120704000	13138102	Replaced	THREAD TENSION SPRING	1	1.00			
57		*	B3126012000	22921506	Replaced	THREAD TENSION DISK	2	1.00			
58		*	B3126012000	22921506	Replaced	THREAD TENSION DISK	2	1.00			
59		*	B3126012000	22921506	Replaced	THREAD TENSION DISK	2	1.00			
60		*	B3120352000	13139902	Replaced	THREAD TENSION SPRING	1	1.00			

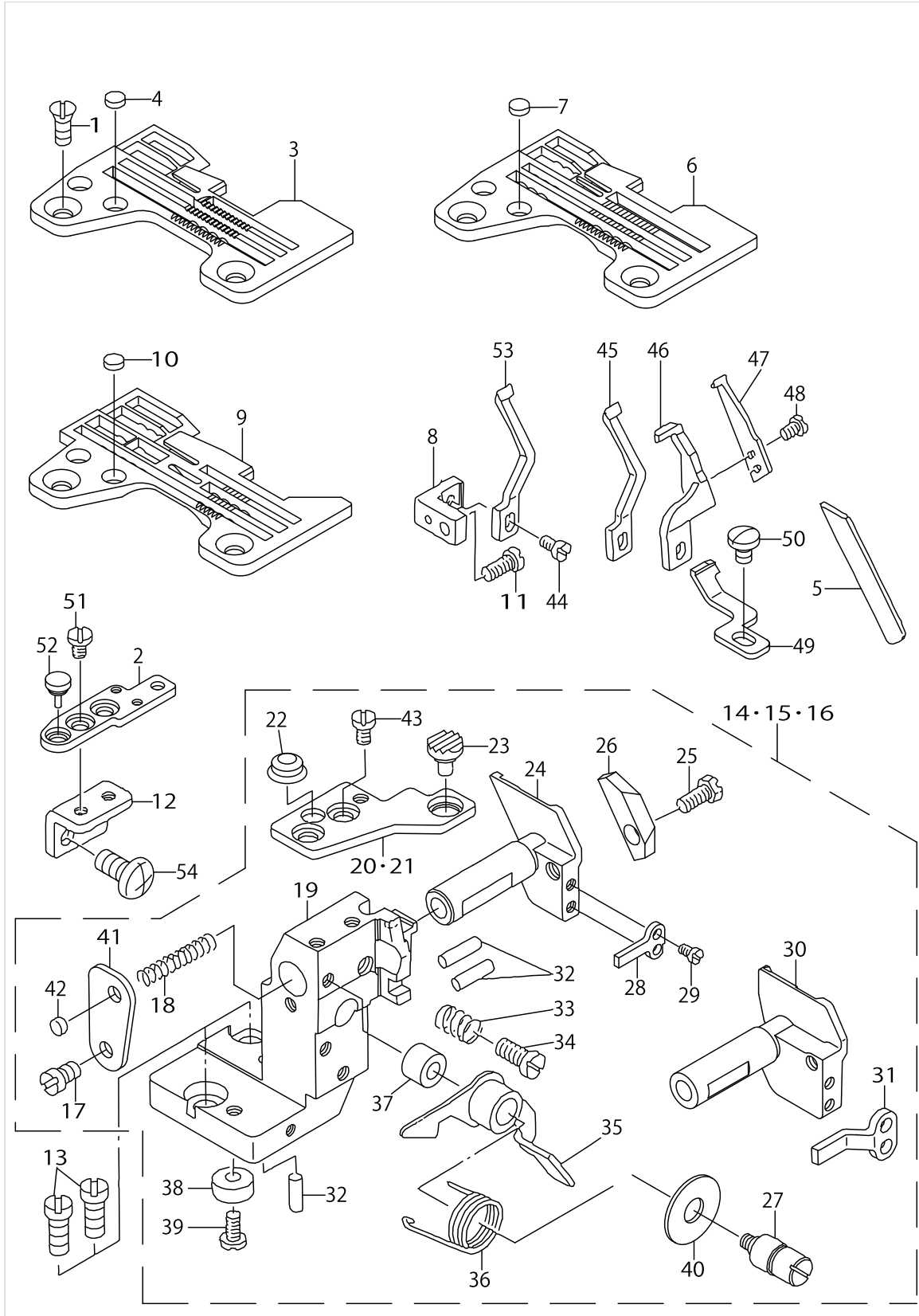
THREAD TENSION COMPONENTS



THREAD TENSION COMPONENTS

No.	C- ons	Le- vel	Parts No.	Replacement	Supply Code	Parts name	Qty	R- ep. Q- TY	Status	Spec	Remarks
61		*	B3120352000	13139902	Replaced	THREAD TENSION SPRING	1	1.00			
62		*	B3120352000	13139902	Replaced	THREAD TENSION SPRING	1	1.00			
63		*	12126405		Disconinue	THREAD TENSION BAR	1				
64		*	12126405		Disconinue	THREAD TENSION BAR	1				
65		*	12126405		Disconinue	THREAD TENSION BAR	1				
66		*	12128203			SCALE SIDE PLATE	1				
67		*	12128302			THREAD LOOPER GUIDE	1				
68		*	TA0620504R0			CAP	1				FOR MOJ-3904
69		*	SS2090830SL		Disconinue	SCREW	1				
70		*	NS6090310SP			NUT 9/64-40	1				
71		*	SS7110740TL		Disconinue	SCREW 11/64-40 L= 7.0	1				
72		*	12127403			SCALE SHAFT	1				
73		*	12127502		Disconinue	SCALE SHAFT PIN	1				
74		*	12127601			SCALE GEAR	1				
75		*	12127700		Disconinue	GEAR	1				
76		*	12127809			GEAR SHAFT	1				
77		*	12127957			SCALE CASE ASM.	1				
78		*	12126504			NEEDLE THREAD GUIDE	1				
79			SM4041455SN			SCREW M4 L=14	2				
80			PS0300132KH			SPRING PIN 3X13	1				
81			SS7110910TP			SCREW 11/64-40 L= 8.5	1				
82			12126108			CENTER THREAD GUIDE	1				

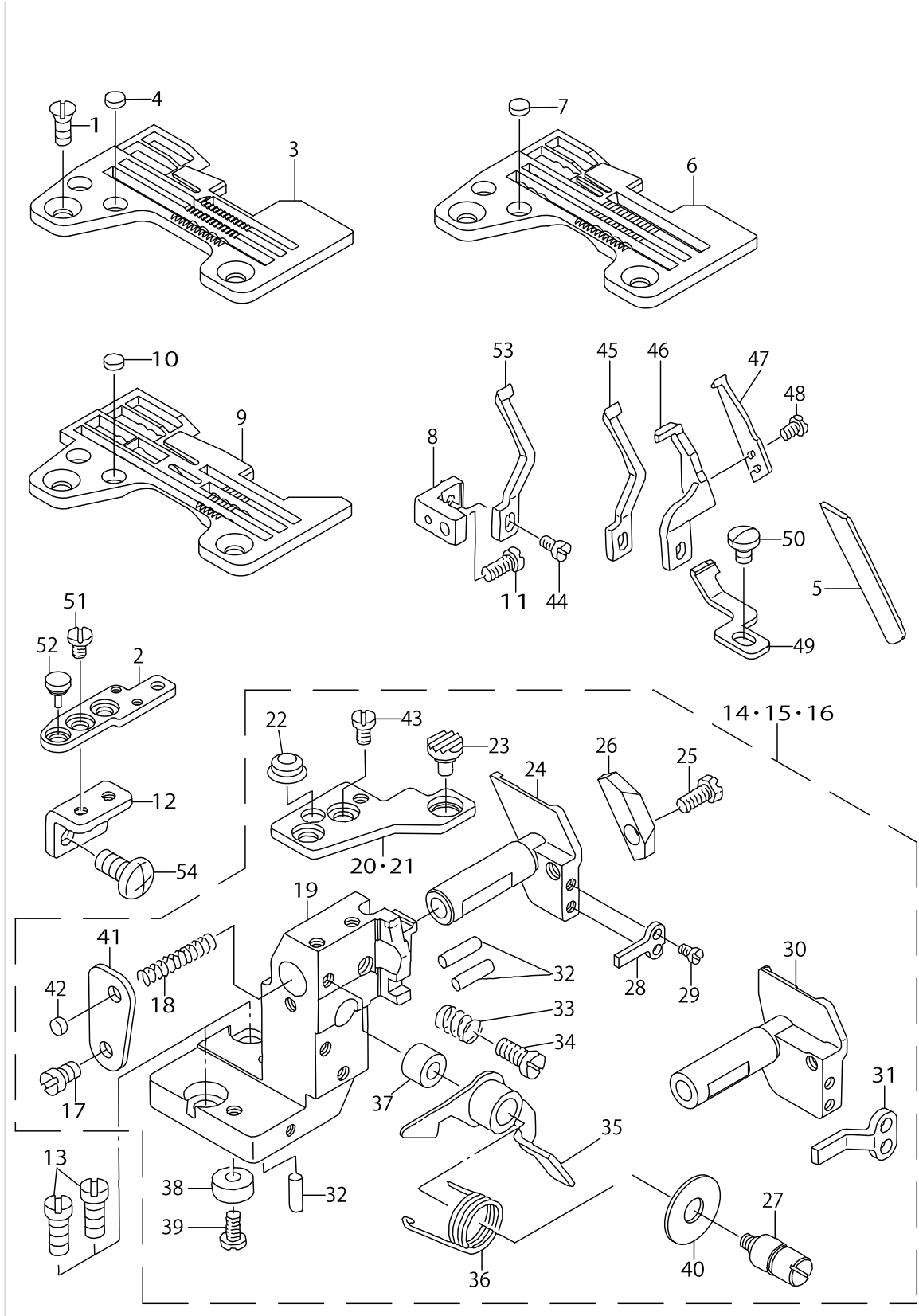
LOWER KNIFE COMPONENTS



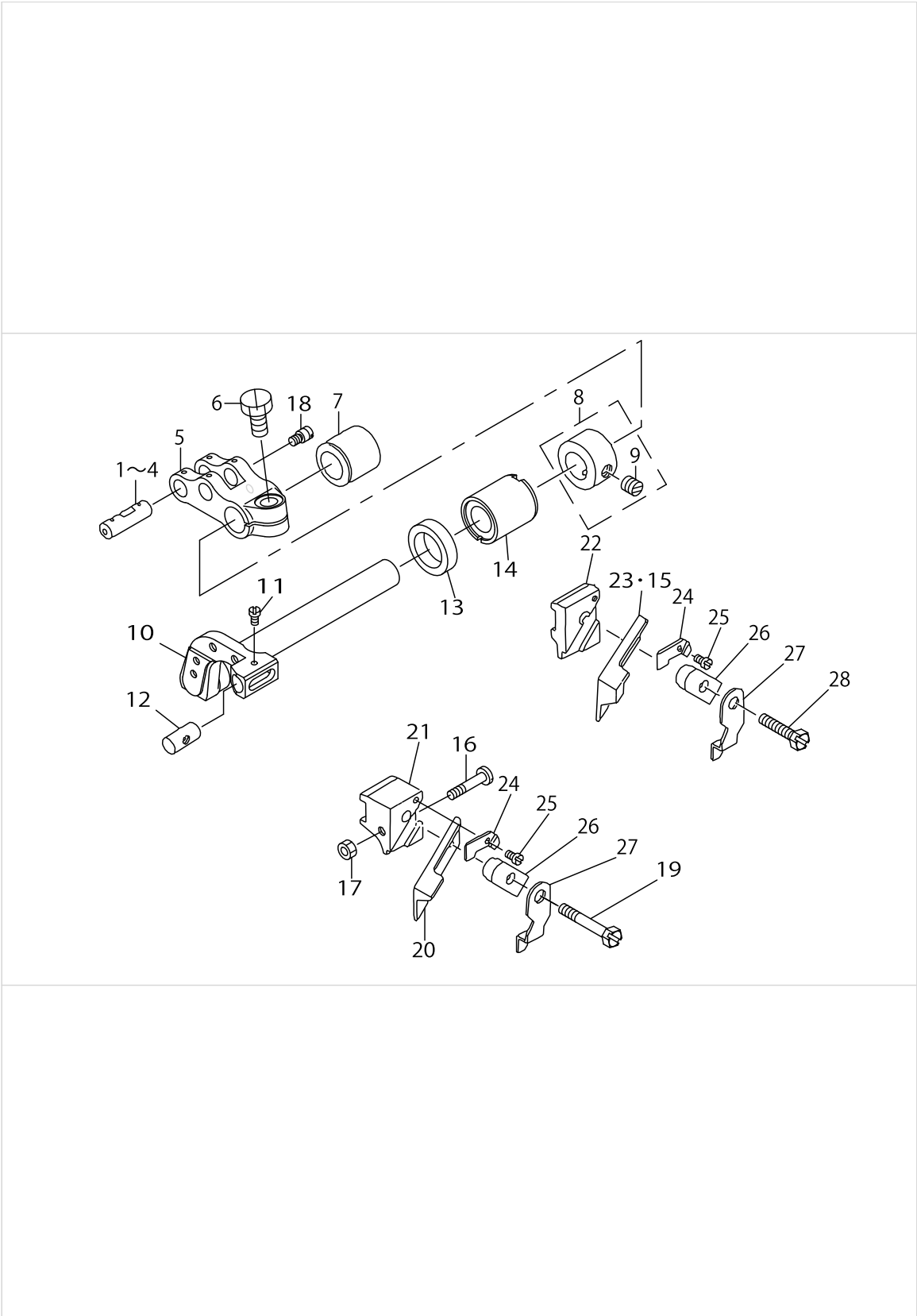
LOWER KNIFE COMPONENTS

No.	C- ons	Le- vel	Parts No.	Replacement	Supply Code	Parts name	Qty	R- ep- Q- TY	Status	Spec	Remarks
1			SS2110910SL			SCREW 11/64-40 L=9	2				
2			11848603			THROAT PLATE BASE C	1				
3			R4300J0FL00	R4300J6FL00	Replaced	THROAT PLATE	1	1.00			FOR MOJ-3904
4			11806304	13102702	Replaced	PLUG	2	1.00			
5			11566502			LOWER KNIFE	1				
6			R4306J0HJ00	R4306J6HJ00	Replaced	THROAT PLATE	1	1.00			FOR MOJ-3914
7			11806304	13102702	Replaced	PLUG	2	1.00			
8			11847100			NEEDLE GUARD HOLDER	1				
9			R4612J0HL00	R4612J6HL00	Replaced	THROAT PLATE (FH6-700)	1	1.00			FOR MOJ-3916
10			11806304	13102702	Replaced	PLUG	2	1.00			
11			SS7110840SP			SCREW 11/64-40 L=7.8	1				
12			12378303			THROAT PLATE BASE B RI	1				
13			SS6151440SP			SCREW 15/64-28 L=14	2				
14			12377586			LOWER KNIFE BRACKET A	1				FOR MOJ-3916
15			12377560			LOWER KNIFE BRACKET A	1				FOR MOJ-3904
16			12377552			LOWER KNIFE BRACKET A	1				FOR MOJ-3914
17	*		SS7110720SP			SCREW 11/64-40 L=7	1				
18	*		11846607			SPRING	1				
19	*		12132619	13232657	Replaced	LOWER KNIFE BRACKET	1	1.00			
20	*		12378105	12377552	Replaced	THROAT PLATE BASE A	1	1.00			FOR MOJ-3914,
21	*		12102208			THROAT PLATE BASE A	1				FOR MOJ-3904
22	*		12103701			RUBBER PLUG B	1				
23	*		12103602	13149000	Replaced	RUBBER PLUG A	1	1.00			
24	*		12132700	13149505	Replaced	LOWER KNIFE SLIDE STU	1	1.00			FOR MOJ-3904,
25	*		SS9111010SP			SCREW 11/64-40 L=9.5	1				
26	*		12377602			LOWER KNIFE PRESSER	1				
27	*		12102810	13148408	Replaced	LEVER SHAFT	1	1.00			
28	*		12377701		Discontinue	ROTATING STOPPER	1				FOR MOJ-3904,
29	*		SS7090710SP			SCREW 9/64-40 L= 6.8	2				
30	*		12377800			LOWER KNIFE SLIDE SHAF	1				FOR MOJ-3916
31	*		12377909			ROTATING STOPPER	1				FOR MOJ-3916
32	*		12133708	12133658	Replaced	HOLDER PIN	3	1.00	選択部品	MO-3904.MO-3	
32	*		12133708	12133666	Replaced	HOLDER PIN	3	1.00	選択部品	MO-3916.MOR-	
32	*		12133708	12257259	Replaced	HOLDER PIN	3	1.00	選択部品	MO-3704E.MO-	
32	*		12133708	12377586	Replaced	HOLDER PIN	3	1.00	選択部品	MOJ-3916.MOG	
32	*		12133708	12377560	Replaced	HOLDER PIN	3	1.00	選択部品	MOJ-3904	
32	*		12133708	12377552	Replaced	HOLDER PIN	3	1.00	選択部品	MOJ-3914.MOG	
32	*		12133708	13232657	Replaced	HOLDER PIN	3	1.00	選択部品	MO-6104D.-611	
32	*		12133708	13232756	Replaced	HOLDER PIN	3	1.00	選択部品	MO-6116D	
33	*		B4115704000		Discontinue	SPRING	1				
34	*		SS7151120SP			SCREW 15/64-28 L=11	1				
35	*		12102950	13148556	Replaced	LEVER ASM.	1	1.00			
36	*		11802006			LEVER SPRING	1				
37	*		12103107	13148903	Replaced	RUBBER PLUG	1	1.00			
38	*		B2739761000		Discontinue	WASHER	1				
39	*		SS7110840SP			SCREW 11/64-40 L=7.8	1				
40	*		WP0621036SP			WASHER	1				
41	*		12133211	13149307	Replaced	SPRING STOPPER	1	1.00			
42	*		11806304	13102702	Replaced	PLUG	1	1.00			
43	*		SS6110610TP			SCREW 11/64-40 L=6	2				
44			SS7090610SP			SCREW 9/64-40 L=6	1				
45			11890308			NEEDLE GUARD	1				FOR MOJ-3914
46			12015301			NEEDLE HOLDER	1				FOR MOJ-3916
47			12015400			NEEDLE HOLDER	1				FOR MOJ-3916
48			SS7060510SP			SCREW 3/32-56 L=4.8	2				FOR MOJ-3916
49			12384509			NEEDLE HOLDER	1				FOR MOJ-3916
50			SS7090510SP			SCREW 9/64-40 L= 4.6	1				FOR MOJ-3916
51			SS6110610TP			SCREW 11/64-40 L=6	2				
52			11804606			RUBBER PLUG	1				
53			11890100			NEEDLE GUARD	1				FOR MOJ-3904

LOWER KNIFE COMPONENTS



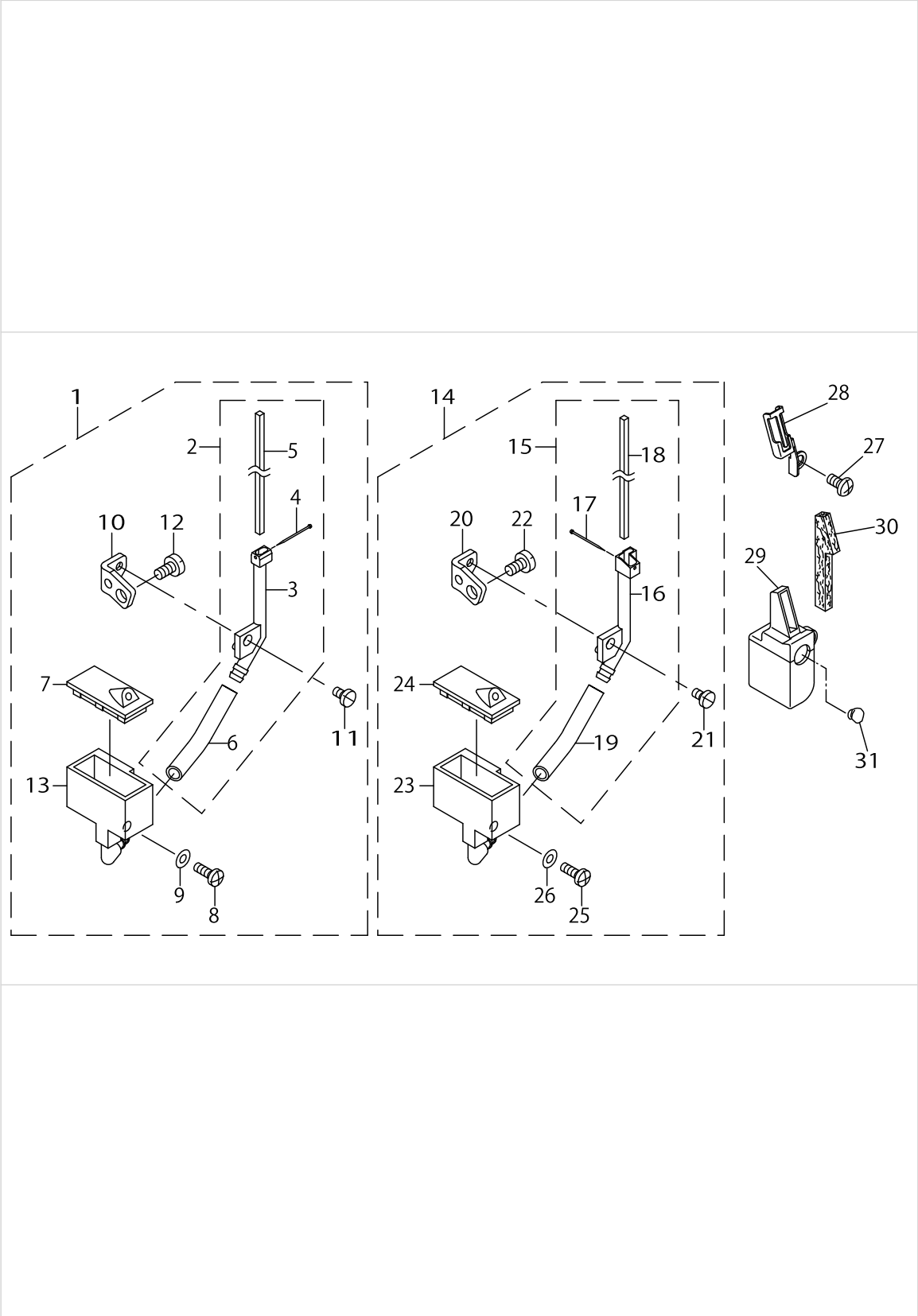
UPPER KNIFE COMPONENTS



UPPER KNIFE COMPONENTS

No.	C- ons	Le- vel	Parts No.	Replacement	Supply Code	Parts name	Qty	R- ep. Q- TY	Status	Spec	Remarks
1			11823606			CRANK PIN	1				SELECTING PAI
2			11823705			CRANK PIN B	1				SELECTING PAI
3			11823804			CRANK PIN C	1				SELECTING PAI
4			11823903			CRANK PIN D	1				SELECTING PAI
5			12318002	31215957	Replaced	UPPER KNIFE DRIVING AR	1	1.00			
6			SM9061250TP			SCREW M6 L=12	1				
7			12132502	13151006	Replaced	BUSHING, REAR	1	1.00			
8			CS111101HSH			THRUST COLLAR ASM.	1				
9		*	SS8660330SP			SCREW 1/4-40 L= 3.0	1				
10			12318101	31216005	Replaced	KNIFE ARM SHAFT	1	1.00			
11			SS4060310SP			SCREW 3/32-56 L=2.5	1				FOR EXPORT
12			11565801	13150800	Replaced	UPPER KNIFE GUIDE SHAF	1	1.00			
13			11566809			OIL SEAL	1				
14			12309803	13277405	Replaced	SHAFT METAL(FRONT)	1	1.00			
15			B411180400E			UPPER KNIFE	1				FOR MOJ-3914
16			SS7091810SP			SCREW 9/64-40 L=17.5	1				FOR MOJ-3916
17			NS6090310SP			NUT 9/64-40	1				FOR MOJ-3916
18			B2024771000	40009196	Replaced	SUSPENSION SCREW	1	1.00			
19			SS9112420TP			SCREW 11/64-40 L=24	1				FOR MOJ-3916(
20			11565900			UPPER KNIFE	1				FOR MOJ-3916(
21			11565405			UPPER KNIFE SUPPORT	1				FOR MOJ-3916(
22			11598000			UPPER KNIFE SUPPORT	1				FOR MOJ-3904,
23			11565900			UPPER KNIFE	1				FOR MOJ-3904
24			11565702			WASHER	1				FOR EXPORT
25			SS4060310SP			SCREW 3/32-56 L=2.5	1				FOR EXPORT
26			11565504			UPPER KNIFE PRESSER PL	1				FOR EXPORT
27			11565603			UPPER KNIFE COVER	1				FOR MOJ-3904,
28			SS9111610SP			SCREW 11/64-40 L=16	1				FOR MOJ-3904,

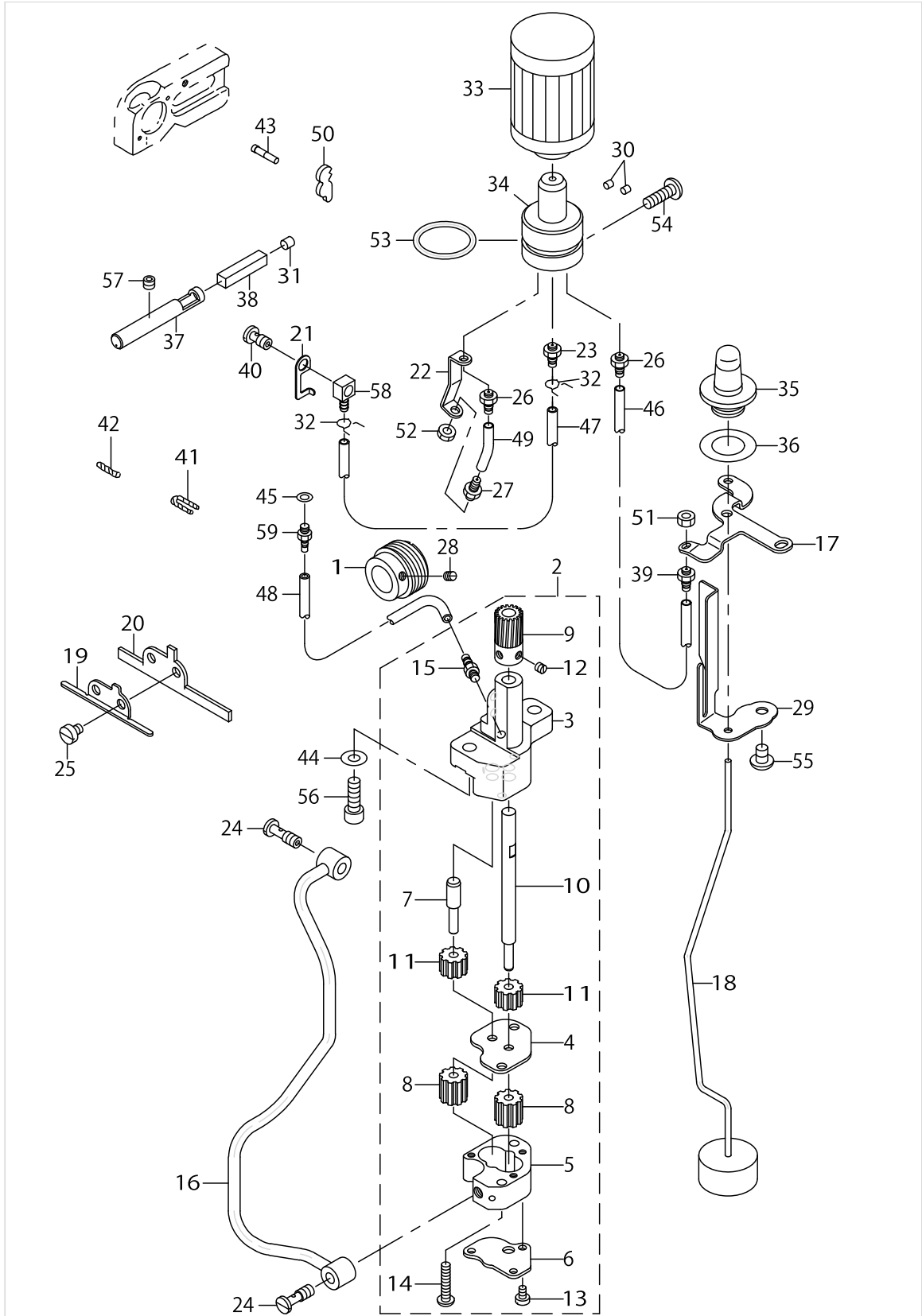
NEEDLE COOLING MECHANISM COMPONENTS



NEEDLE COOLING MECHANISM COMPONENTS

No.	C- ons	Le- vel	Parts No.	Replacement	Supply Code	Parts name	Qty	R- ep. Q- TY	Status	Spec	Remarks
1			11855954	13162557	Replaced	NEEDLE COOLER UNIT AS	1	1.00			FOR MOJ-3904,
2		*	11855970			NEEDLE COOLER ASM. (O	1				
3		*	11855905		Disconinue	NEEDLE COOLER (OVER)	1				
4		*	11856101			NEEDLE COOLER PIN	1				
5		*	11856200			NEEDLE COOLER FELT	1				
6		*	BT0700500EA			TUBE	0.1				
7		*	11856507		Disconinue	TANK COVER	1				
8		*	SS4091015SP			SCREW 9/64-40 L=10	1				
9		*	WP0371026SD			WASHER 3.7X7X1	1				
10		*	11856309		Disconinue	SUPPORT	1				
11		*	SS7090610SP			SCREW 9/64-40 L=6	1				
12		*	SS7110840SP			SCREW 11/64-40 L=7.8	1				
13		*	11856408		Disconinue	TANK	1				
14			11856051	13163159	Replaced	NEEDLE COOLER UNIT AS	1	1.00			FOR MOJ-3916
15		*	11856077			NEEDLE COOLER ASM. (IN	1				
16		*	11856002			NEEDLE COOLER (INTER)	1				
17		*	11856101			NEEDLE COOLER PIN	1				
18		*	11856200			NEEDLE COOLER FELT	1				
19		*	BT0700500EA			TUBE	0.1				
20		*	11856309		Disconinue	SUPPORT	1				
21		*	SS7090610SP			SCREW 9/64-40 L=6	1				
22		*	SS7110840SP			SCREW 11/64-40 L=7.8	1				
23		*	11856408		Disconinue	TANK	1				
24		*	11856507		Disconinue	TANK COVER	1				
25		*	SS4091015SP			SCREW 9/64-40 L=10	1				
26		*	WP0371026SD			WASHER 3.7X7X1	1				
27			SM4040855SP			SCREW	1				
28			12138400		Disconinue	PRESSER	1				
29			12138152	13163456	Replaced	SILICON TANK ASM.	1	1.00			
30			12138301	13163803	Replaced	FELT	1	1.00			
31			TA0950806R0			RUBBER PLUG	1				

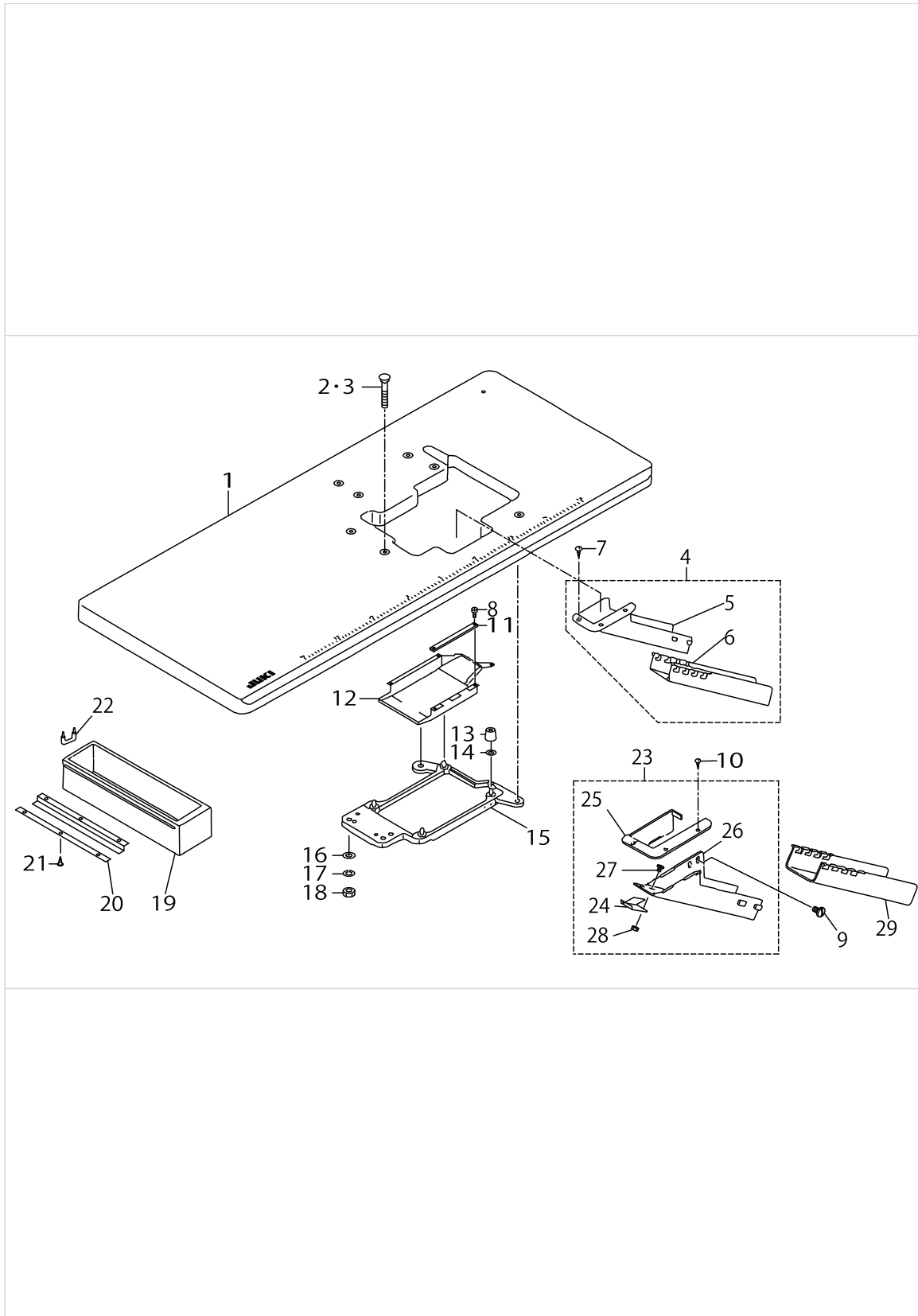
LUBRICATION MECHANISM COMPONENTS



LUBRICATION MECHANISM COMPONENTS

No.	C- ons	Le- vel	Parts No.	Replacement	Supply Code	Parts name	Qty	R- ep. Q- TY	Status	Spec	Remarks
1			12315008			WORM	1				
2			12315958	40018044	Replaced	OIL PUMP ASM.	1	1.00			
3		*	12315909	40018044	Replaced	OIL PUMP	1	1.00			
4		*	12316006	40018044	Replaced	PINION SPACER	1	1.00			
5		*	12316105		Discontinue	CASING	1				
6		*	12316204	40018044	Replaced	COVER	1	1.00			
7		*	12317004	40018044	Replaced	GEAR PUMP SHAFT	1	1.00	選択部品	MO-6700,MO-6'	
7		*	12317004	40018045	Replaced	GEAR PUMP SHAFT	1	1.00	選択部品	MO-6900R,MO-	
8		*	11840303			OIL PUMP PINION	2				
9		*	11841707	13343009	Replaced	WORM GEAR	1	1.00			
10		*	11918109	40018044	Replaced	GEAR PUMP SHAFT LARGE	1	1.00			
11		*	B3534352000	13228309	Replaced	PINION GEAR	2	1.00			
12		*	SS8110410TP			SCREW 11/64-40 L= 3.5	2				
13		*	SS6090650SP	SS6090670TP	Replaced	SCREW 9/64-40 L=6	3	1.00			
14		*	SS4112215SP			SCREW 11/64-40 L=22	2				
15		*	SQ1110401MZ			CONNECTING SCREW	1				
16			12315354		Discontinue	OIL PIPE ASM.	1				
17			12315800			OILING EXIT SUPPORT	1				
18			12315156		Discontinue	FLOAT ASM.	1				
19			12315503			ONCE THROUGH OIL FEL	1				
20			12315602		Discontinue	FELT	1				
21			12315701		Discontinue	PIPE SUPPORT	1				
22			12316303		Discontinue	WORM OILING EXIT GUIDE	1				
23			SQ1150451MZ			CONNECTING SCREW	1				
24			SQ1150454SD			CONNECTING SCREW	2				
25			SS6120620TP			SCREW	2				
26			SQ1110451MZ			CONNECTING SCREW	2				
27			SQ1110451MZ			CONNECTING SCREW	1				
28			SS8110520TP			SCREW 11/64-40 L= 4.5	1				
29			12315206			FLOAT SUPPORT	1				
30			TA0290301M0			RUBBER PLUG	2				
31			TA0400301M0			PLUG D=4X4.5 L=3	1				
32			10126803			OIL TUBE HOLDER	2				
33			11843208	13142500	Replaced	CARTRIDGE FILTER	1	1.00			
34			12129706		Discontinue	FILTER GUIDE	1				
35			12130100	13143300	Replaced	OIL GAUGE	1	1.00			
36			12130209		Discontinue	RUBBER PACKING	1				
37			12130308			OILING PIN	1				
38			12130407	13144209	Replaced	OIL FELT	1	1.00			
39			SQ1110451MZ			CONNECTING SCREW	1				
40			SQ1150441SD			CONNECTING SCREW	1				
41			11834603		Discontinue	OIL SUPPLY BUSH	1				
42			12252706		Discontinue	OIL SUPPLY FELT	1				
43			11404704			OIL WICK	1				
44			WP0651056SD			WASHER 6.5X11X1	2				
45			B3534012000			GASKET	1				
46			BT0500300EA			OIL TUBE	.17				
47			BT0500300EG			OIL TUBE	.35				
48			BT0500300EG			OIL TUBE	.29				
49			BT0500300EG			OIL TUBE	.03				
50			12004404		Discontinue	UPPER LOOPER GUIDE OIL	1				
51			NS6110310SP			NUT 11/64-40	1				
52			NS6110310SP			NUT 11/64-40	1				
53			RO218240100		Discontinue	RUBBER RING	1				
54			SM4051601SC			SCREW M5X0.8 L=16	1				
55			SM4060801SE			SCREW	1				
56			SM6061802TP			SCREW M6 L=18	2				
57			SM8050402TP			SCREW	1				
58			SQ0000451MZ			CONNECTING SCREW	1				
59			SQ1110401MZ			CONNECTING SCREW	1				

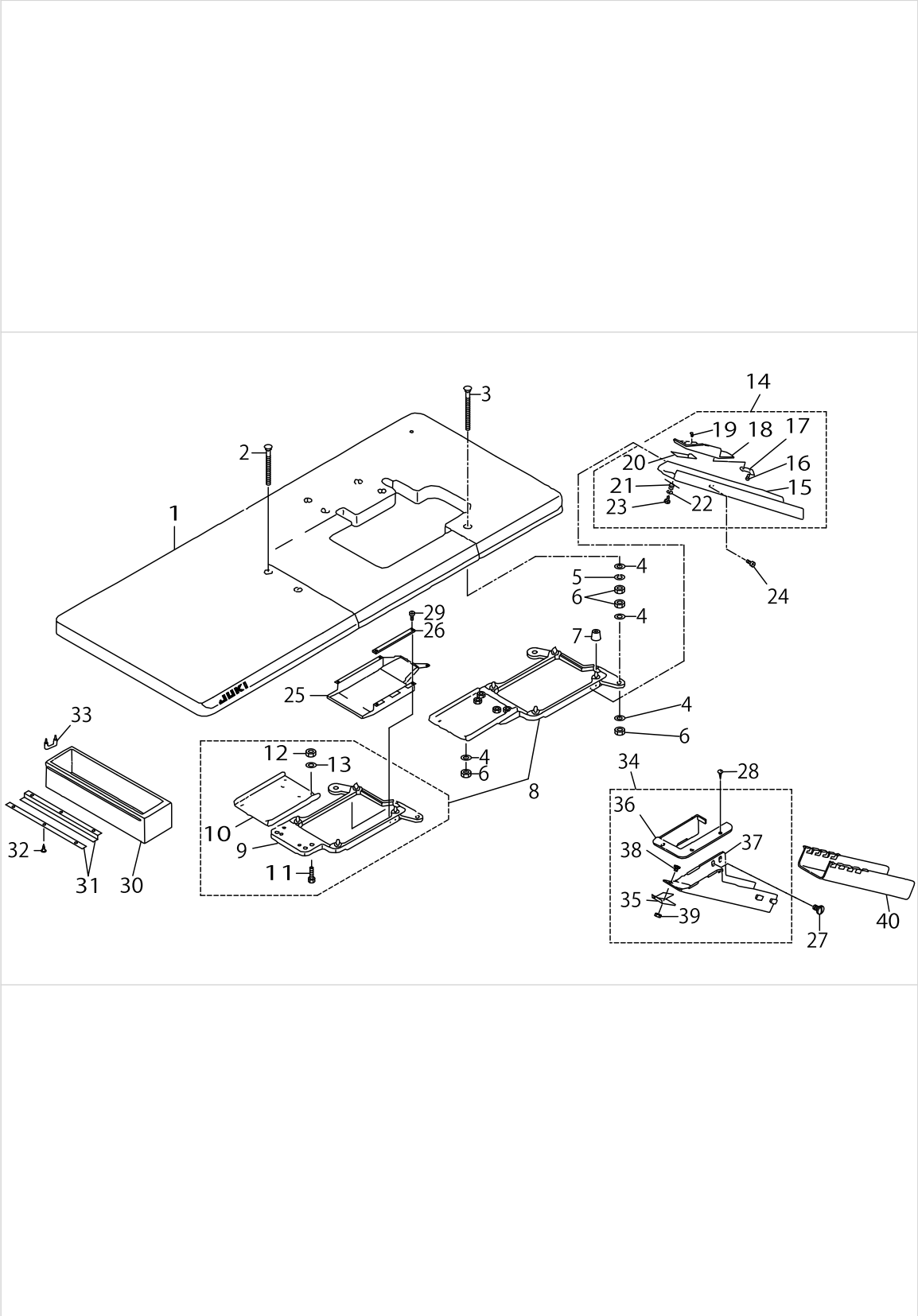
SEMI-SUNKEN TYPE TABLE COMPONENTS



SEMI-SUNKEN TYPE TABLE COMPONENTS

No.	C- ons	Le- vel	Parts No.	Replacement	Supply Code	Parts name	Qty	R- ep- Q- TY	Status	Spec	Remarks
1			11959400	11959459	Replaced	TABLE (SEMI-SUNKEN)	1	1.00			
2			11966702	13155007	Replaced	BOLT A	4	1.00			FOR JAPAN
3			11571601	MAS10704000	Replaced	BOLT A	4	1.00			FOR EXPORT
4			12341954			CLOTH WASTE CHUTE AS	1				EXCEPT JE
5		*	12341905			CLOTH WASTE CHUTE(SE	1				
6		*	12341806			CLOTH WASTE CHUTE	1				
7			SK2351600SC			WOOD SCREW D=3.5 L=16	3				EXCEPT JE
8			SS6090630SP	SS6090630TP	Replaced	SCREW 9/64-40 L=6	5	1.00			
9			SS5110710SP			SCREW 11/64-40 L=7	2				FOR JE
10			SK2351600SC			WOOD SCREW D=3.5 L=16	3				FOR JE
11			11850815	13161005	Replaced	CASE SPONGE	1	1.00			
12			11849411	13160908	Replaced	COOLING FAN CASE	1	1.00			
13			11571403	13155403	Replaced	RUBBER CUSHION	4	1.00			
14			11849601	13156500	Replaced	SPACER	4	1.00			
15			11849361	13161153	Replaced	FRAME SUPPORT PLATE A	1	1.00			
16			WP1102016SC			WASHER 11X21X2	4				
17			WS1002560KR			SPRING WASHER 10X18X2	4				
18			NS6240630SN	NS6240630SE	Replaced	NUT 3/8-18	4	1.00			
19			11155108	11155157	Replaced	DRAWER	1	1.00			
20			11155207			DRAWER SUPPORT	2				
21			SK3311500SC		Disconinue	WOOD SCREW D=3.1 L=15	6				
22			D8204555D00			DRAWER STOPPER	1				
23			12135554		Disconinue	CLOTH WASTE CHUTE AS	1				FOR JE
24		*	12135505		Disconinue	CLOTH WASTE CHUTE SU	1				
25		*	11962800	11962859	Replaced	CLOTH WASTE CHUTE INI	1	1.00			
26		*	11962909	13155759	Replaced	CLOTH WASTE CHUTE, UI	1	1.00			
27		*	SS5090610SP			SCREW 9/64-40 L=6	3				
28		*	NS6090310SP			NUT 9/64-40	3				
29			11960002	12341806	Replaced	CLOTH WASTE CHUTE,LC	1	1.00			FOR JE

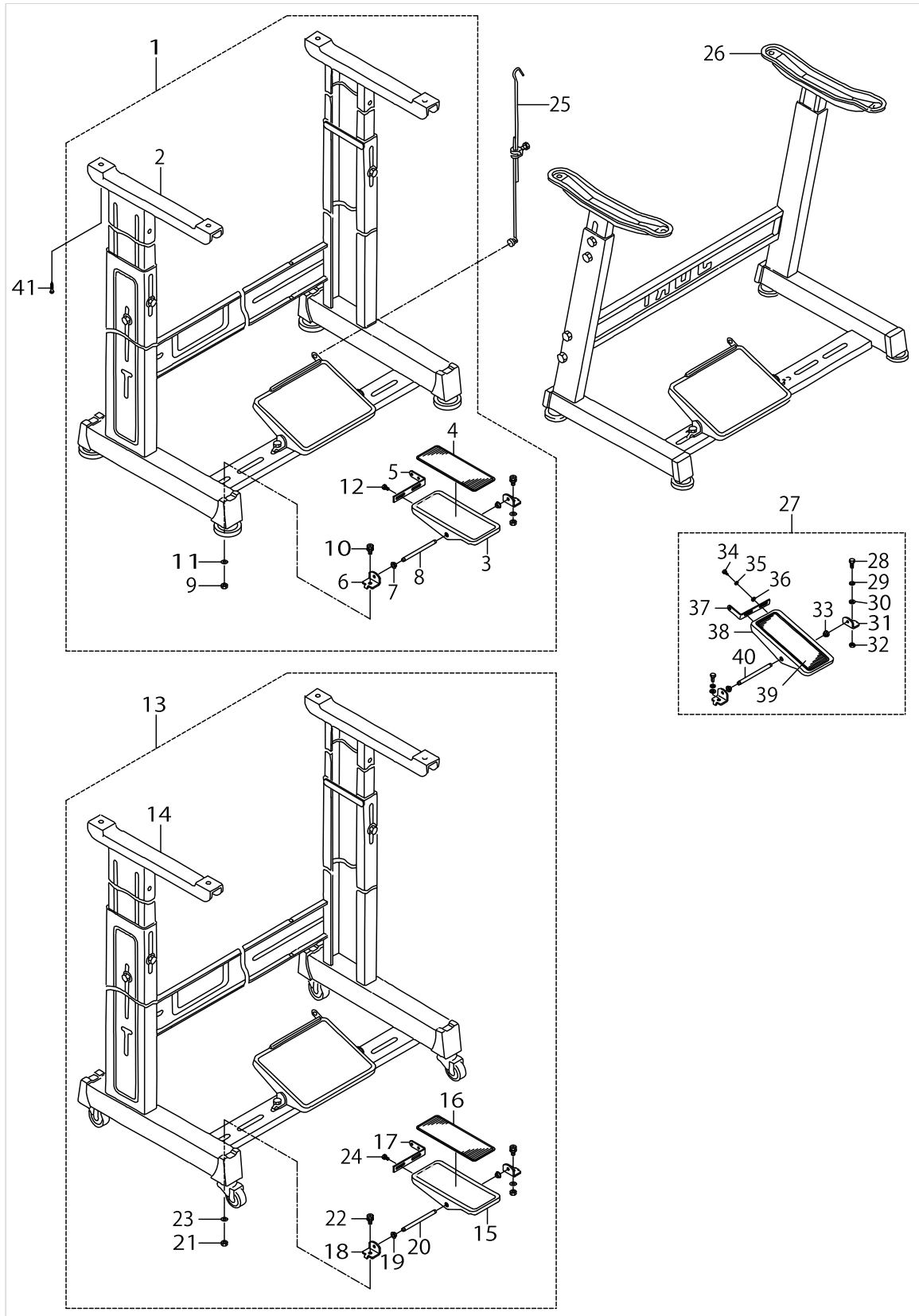
FULLY-SUNKEN TYPE TABLE COMPONENTS



FULLY-SUNKEN TYPE TABLE COMPONENTS

No.	C- ons	Le- vel	Parts No.	Replacement	Supply Code	Parts name	Qty	R- ep- Q- TY	Status	Spec	Remarks
1			11959558			TABLE ASM.	1				
2			11571809	13155106	Replaced	BOLT C	2	1.00			
3			11571908	13155205	Replaced	BOLT D	2	1.00			
4			WP1102016SC			WASHER 11X21X2	12				
5			WS1002560KR			SPRING WASHER 10X18X2	4				
6			NS6240630SN	NS6240630SE	Replaced	NUT 3/8-18	12	1.00			
7			11571403	13155403	Replaced	RUBBER CUSHION	4	1.00			
8			11849379			FRAME SUPPORT PLATE A	1				
9	*		11849361	13161153	Replaced	FRAME SUPPORT PLATE A	1	1.00			
10	*		11850906	13155304	Replaced	FRAME SUPPORT AUXILIA	1	1.00			
11	*		SM9082513CF			SCREW M8 L=25	4				
12	*		NM6080600SM			NUT M8	4				
13	*		WP0850002SC			WASHER 8.5X18X1.6	4				
14			11960259	13155858	Replaced	CLOTH CHUTE ASM.	1	1.00			EXCEPT JE
15	*		11960200		Disconinue	CLOTH WASTE CHUTE	1				
16	*		ST60308210A			SCREW D=3-24 L=8	2				
17	*		11850401			CLOTH WASTE CHUTE INI	1				
18	*		11960309		Disconinue	CLOTH WASTE CHUTE HC	1				
19	*		SS6090420SP			SCREW 9/64-40 L= 4.0	2				
20	*		11850609			RUBBER	1				
21	*		11850500			SPRING	1				
22	*		WP0370316SD			WASHER 3.7X8X0.3	1				
23	*		ST60308210A			SCREW D=3-24 L=8	1				
24			SS5110710SP			SCREW 11/64-40 L=7	2				EXCEPT JE
25			11849411	13160908	Replaced	COOLING FAN CASE	1	1.00			
26			11850815	13161005	Replaced	CASE SPONGE	1	1.00			
27			SS5110710SP			SCREW 11/64-40 L=7	2				FOR JE
28			SK2351600SC			WOOD SCREW D=3.5 L=16	3				FOR JE
29			SS6090630SP	SS6090630TP	Replaced	SCREW 9/64-40 L=6	5	1.00			
30			11155108	11155157	Replaced	DRAWER	1	1.00			
31			11155207			DRAWER SUPPORT	2				
32			SK3311500SC		Disconinue	WOOD SCREW D=3.1 L=15	6				
33			D8204555D00			DRAWER STOPPER	1				
34			12135554		Disconinue	CLOTH WASTE CHUTE AS	1				FOR JE
35	*		12135505		Disconinue	CLOTH WASTE CHUTE SU	1				
36	*		11962800	11962859	Replaced	CLOTH WASTE CHUTE INI	1	1.00			
37	*		11962909	13155759	Replaced	CLOTH WASTE CHUTE, UI	1	1.00			
38	*		SS5090610SP			SCREW 9/64-40 L=6	3				
39	*		NS6090310SP			NUT 9/64-40	3				
40			11960002	12341806	Replaced	CLOTH WASTE CHUTE,LC	1	1.00			FOR JE

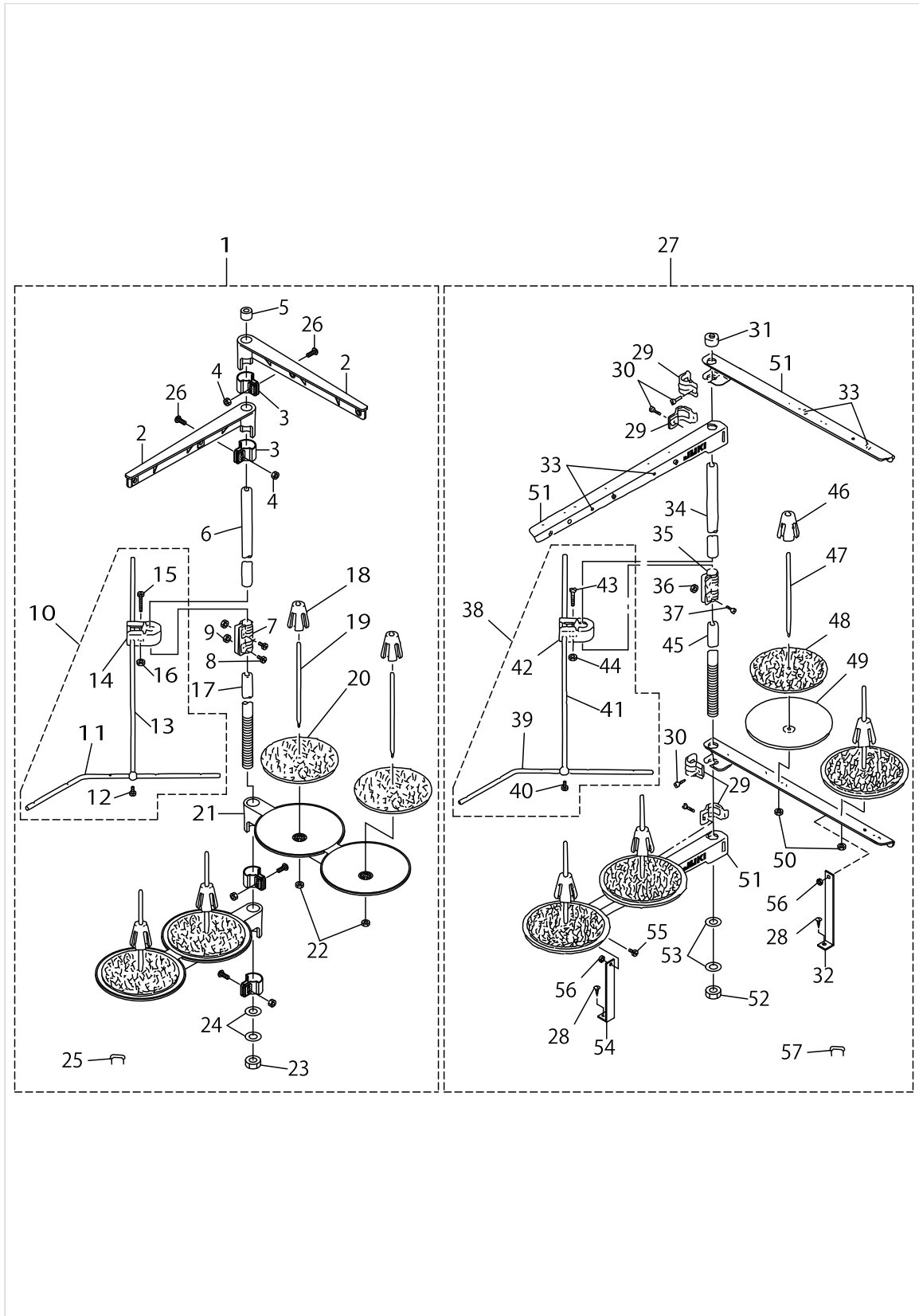
STAND COMPONENTS



STAND COMPONENTS

No.	C- ons	Le- vel	Parts No.	Replacement	Supply Code	Parts name	Qty	R- ep. Q- TY	Status	Spec	Remarks
1			11960655			T STAND JUNCTION	1				FOR JAPAN
2		*	11157567			T LEG JUNCTION	1				
3		*	GPF06060000	GPF060600A0	Replaced	PEDAL	1	1.00			
4		*	GPF06070000			PEDAL MAT	1				
5		*	GPF06080000			PEDAL ADJUSTING PLATE	1				
6		*	11159001			PEDAL SHAFT BRACKET	2				
7		*	D8113555B00			PEDAL BUSHING	2				
8		*	B8153771000			PEDAL CONNECTING ROD	1				
9		*	NM6080721SE			NUT M8	2				
10		*	SL9082091SE			WASHER HEXAGONAL BOI	2				
11		*	WP0871602SE			WASHER 8.7X18X1.6	2				
12		*	SL9061291SE			WASHER HEXAGONAL BOI	2				
13			11960754	11159407	Replaced	T STAND JUNCTION(WITH	1	4.00			SELECTIVE PAF SELECTIVE PAF
13			11960754	11960655	Replaced	T STAND JUNCTION(WITH	1	1.00			
14		*	11159365			T STAND JUNCTION	1				
15		*	GPF06060000	GPF060600A0	Replaced	PEDAL	1	1.00			
16		*	GPF06070000			PEDAL MAT	1				
17		*	GPF06080000			PEDAL ADJUSTING PLATE	1				
18		*	11159001			PEDAL SHAFT BRACKET	2				
19		*	D8113555B00			PEDAL BUSHING	2				
20		*	B8153771000			PEDAL CONNECTING ROD	1				
21		*	NM6080721SE			NUT M8	2				
22		*	SL9082091SE			WASHER HEXAGONAL BOI	2				
23		*	WP0871602SE			WASHER 8.7X18X1.6	2				
24		*	SL9061291SE			WASHER HEXAGONAL BOI	2				
25			B71140120A0			MOTOR CONNECTING ROI	1				
26			11151065		Disconinue	Z LEG JUNCTION (B)	1				FOR EXPORT FOR EXPORT
27			B81517710A0		Disconinue	PEDAL ASM.	1				
28		*	SM9082023SE			SCREW M8 L=20	2				
29		*	WS0861410KR			SPRING WASHER 8.6X15X1	2				
30		*	WP0871602SE			WASHER 8.7X18X1.6	4				
31		*	D8114555B0E		Disconinue	PEDAL SHAFT BRACKET	2				
32		*	NM6080721SE			NUT M8	2				
33		*	D8113555B00			PEDAL BUSHING	2				
34		*	SM9061203SE			SCREW M6 L=12	2				
35		*	WS0621210KR			SPRING WASHER 6.2X11.4	2				
36		*	WP0671016SE			WASHER 6.7X13X1	2				
37		*	D8125772B00			PEDAL ADJUSTING PLATE	1				
38		*	B8151771000		Disconinue	PEDAL	1				
39		*	B8152771000			PEDAL MAT	1				
40		*	B8153771000			PEDAL CONNECTING ROD	1				
41			SK3513200SC	SK3513201SE	Replaced	WOOD SCREW D=5.1 L=32	4	1.00			

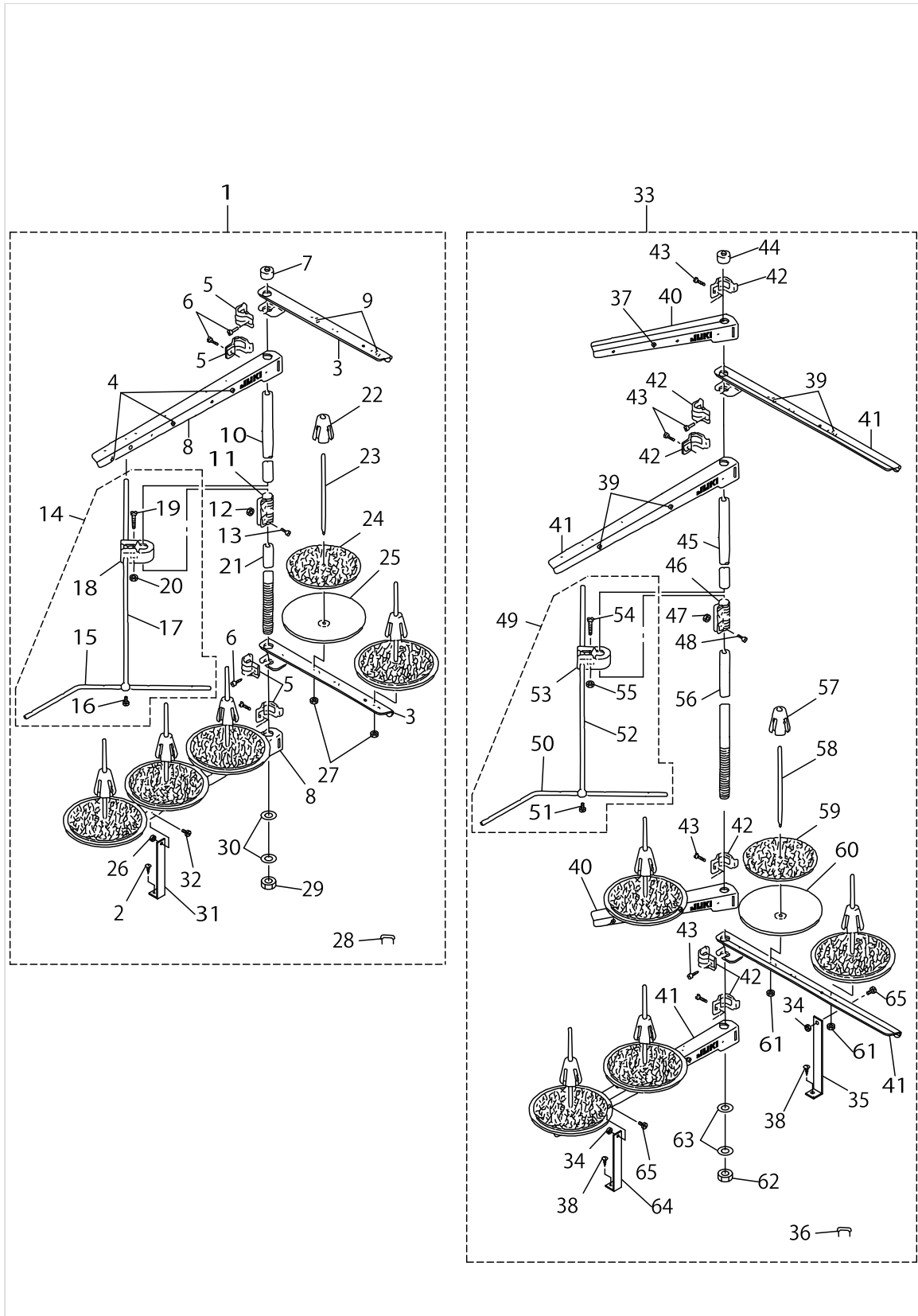
THREAD STAND COMPONENTS (FOR MOJ-3904,MOJ-3914)



THREAD STAND COMPONENTS (FOR MOJ-3904,MOJ-3914)

No.	C- ons	Le- vel	Parts No.	Replacement	Supply Code	Parts name	Qty	R- ep- Q- TY	Status	Spec	Remarks
1			11969458	13167556	Replaced	THREAD STANDING DEVIC	1	1.00			EXCEPT JE
2		*	11185352	22930358	Replaced	THREAD GUIDE ASM.	2	1.00			
3		*	11185402	40096354	Replaced	THREAD GUIDE ARM JOIN	4	1.00			
4		*	NM6050001SE			NUT M5	4				
5		*	B3311704000	22931406	Replaced	SPOOL REST ROD CAP	1	1.00			
6		*	11185204	22930408	Replaced	SPOOL REST ROD,UPPER	1	1.00			
7		*	B3305704000A	22931307	Replaced	SPOOL REST ROD JOINT	1	1.00			
8		*	SM4051405SE			SCREW M5 L=14	2				
9		*	NM6050001SE			NUT M5	2				
10		*	B33097040A0	26910059	Replaced	THREAD GUIDE ARM ASM.	1	1.00			
11		*	B3311804000	13167903	Replaced	LOWER THREAD GUIDE	1	1.00			
12		*	SS7110540SP			SCREW 11/64-40 L=5	1				
13		*	B3309704000	13168109	Replaced	THREAD GUIDE ARM	1	1.00			
14		*	B3304704000A		Disconinue	THREAD GUIDE ARM HOLI	1				
15		*	SM6053000SE		Disconinue	SCREW M5X0.8 L=30	1				
16		*	NM6050001SE			NUT M5	1				
17		*	11185105	22930309	Replaced	SPOOL REST ROD,LOWER	1	1.00			
18		*	11185501		Disconinue	SPOOL RETAINER	4				
19		*	B3320704L00A	22931000	Replaced	SPOOL PIN	4	1.00			
20		*	B3311012000		Disconinue	SPOOL REST CUSHION	4				
21		*	11185006		Disconinue	SPOOL REST ARM	2				
22		*	NM6050001SE			NUT M5	4				
23		*	B3317704000	NM6160511SE	Replaced	NUT	1	1.00			
24		*	WP1612616SE			WASHER 16X30X2.6	2				
25		*	MAO11532000			CORD STAPLE	3				
26		*	SM4051405SE			SCREW M5 L=14	4				SPECIAL ORDEI
27			11969953	13167754	Replaced	THREAD STANDING DEVIC	1	1.00			
28		*	SK3382001SE			SCREW D=3.8 L=20	2				
29		*	B3318704L00A		Disconinue	THREAD GUIDE ARM JOIN	4				
30		*	SM6061610SC			SCREW M6 L=16	4				
31		*	B3311704000	22931406	Replaced	SPOOL REST ROD CAP	1	1.00			
32		*	B3321704L0B		Disconinue	SPOOL REST ARM SUPPOR	1				
33		*	B3319704L00	22931208	Replaced	THREAD GUIDE	4	1.00			
34		*	11185204	22930408	Replaced	SPOOL REST ROD,UPPER	1	1.00			
35		*	B3305704000A	22931307	Replaced	SPOOL REST ROD JOINT	1	1.00			
36		*	NM6050001SE			NUT M5	2				
37		*	SM4051405SE			SCREW M5 L=14	2				
38		*	B33097040A0	26910059	Replaced	THREAD GUIDE ARM ASM.	1	1.00			
39		*	B3311804000	13167903	Replaced	LOWER THREAD GUIDE	1	1.00			
40		*	SS7110540SP			SCREW 11/64-40 L=5	1				
41		*	B3309704000	13168109	Replaced	THREAD GUIDE ARM	1	1.00			
42		*	B3304704000A		Disconinue	THREAD GUIDE ARM HOLI	1				
43		*	SM6053000SE		Disconinue	SCREW M5X0.8 L=30	1				
44		*	NM6050001SE			NUT M5	1				
45		*	11185105	22930309	Replaced	SPOOL REST ROD,LOWER	1	1.00			
46		*	11185501		Disconinue	SPOOL RETAINER	4				
47		*	B3320704L00A	22931000	Replaced	SPOOL PIN	4	1.00			
48		*	B3311012000		Disconinue	SPOOL REST CUSHION	4				
49		*	11966504	22930804	Replaced	SPOOL REST	4	1.00			
50		*	NM6050001SE			NUT M5	4				
51		*	11969508	13168802	Replaced	SPOOL REST ARM A	4	1.00			
52		*	B3317704000	NM6160511SE	Replaced	NUT	1	1.00			
53		*	WP1612616SE			WASHER 16X30X2.6	2				
54		*	B3321704L00			SPOOL REST ARM SUPPOR	1				
55		*	SM4061201SE			SCREW M6 L=12	2				
56		*	NM6060001SE			NUT M6	2				
57		*	MAO11532000			CORD STAPLE	3				

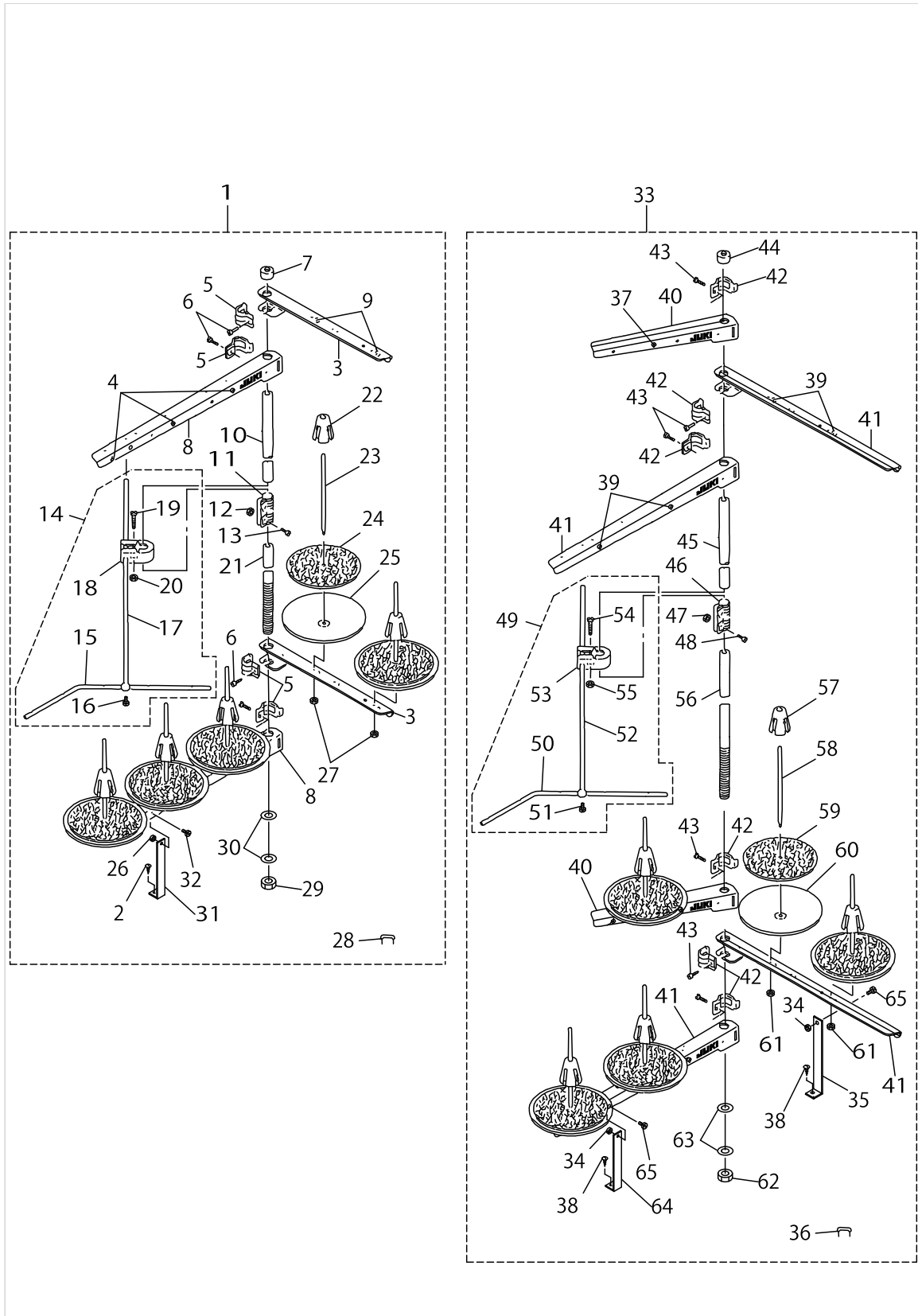
THREAD STAND COMPONENTS (FOR MOJ-3916)



THREAD STAND COMPONENTS (FOR MOJ-3916)

No.	C- ons	Le- vel	Parts No.	Replacement	Supply Code	Parts name	Qty	R- ep- Q- TY	Status	Spec	Remarks
1			11969557	13167655	Replaced	THREAD STANDING DEVIC	1	1.00			EXCEPT JE
2		*	SK3382001SE			SCREW D=3.8 L=20	1				
3		*	11969409		Disconinue	THREAD GUIDE ARM B	2				
4		*	B3319704L00	22931208	Replaced	THREAD GUIDE	3	1.00			
5		*	B3318704L00A		Disconinue	THREAD GUIDE ARM JOIN	4				
6		*	SM6061610SC			SCREW M6 L=16	4				
7		*	B3311704000	22931406	Replaced	SPOOL REST ROD CAP	1	1.00			
8		*	11969508	13168802	Replaced	SPOOL REST ARM A	2	1.00			
9		*	B3319704L00	22931208	Replaced	THREAD GUIDE	2	1.00			
10		*	11185204	22930408	Replaced	SPOOL REST ROD,UPPER	1	1.00			
11		*	B3305704000A	22931307	Replaced	SPOOL REST ROD JOINT	1	1.00			
12		*	NM6050001SE			NUT M5	2				
13		*	SM4051405SE			SCREW M5 L=14	2				
14		*	B33097040A0	26910059	Replaced	THREAD GUIDE ARM ASM.	1	1.00			
15		*	B3311804000	13167903	Replaced	LOWER THREAD GUIDE	1	1.00			
16		*	SS7110540SP			SCREW 11/64-40 L=5	1				
17		*	B3309704000	13168109	Replaced	THREAD GUIDE ARM	1	1.00			
18		*	B3304704000A		Disconinue	THREAD GUIDE ARM HOLI	1				
19		*	SM6053000SE		Disconinue	SCREW M5X0.8 L=30	1				
20		*	NM6050001SE			NUT M5	1				
21		*	11185105	22930309	Replaced	SPOOL REST ROD,LOWER	1	1.00			
22		*	11185501		Disconinue	SPOOL RETAINER	5				
23		*	B3320704L00A	22931000	Replaced	SPOOL PIN	5	1.00			
24		*	B3311012000		Disconinue	SPOOL REST CUSHION	5				
25		*	11966504	22930804	Replaced	SPOOL REST	5	1.00			
26		*	NM6060001SE			NUT M6	1				
27		*	NM6050001SE			NUT M5	5				
28		*	MAO11532000			CORD STAPLE	3				
29		*	B3317704000	NM6160511SE	Replaced	NUT	1	1.00			
30		*	WP1612616SE			WASHER 16X30X2.6	2				
31		*	B3321704L00			SPOOL REST ARM SUPPOR	1				
32		*	SM4061201SE			SCREW M6 L=12	1				
33		*	11970050	13167853	Replaced	THREAD STANDING DEVIC	1	1.00			SPECIAL ORDER
34		*	NM6060001SE			NUT M6	2				
35		*	B3321704L0B		Disconinue	SPOOL REST ARM SUPPOR	1				
36		*	MAO11532000			CORD STAPLE	3				
37		*	B3319704L00	22931208	Replaced	THREAD GUIDE	1	1.00			
38		*	SK3382001SE			SCREW D=3.8 L=20	2				
39		*	B3319704L00	22931208	Replaced	THREAD GUIDE	4	1.00			
40		*	11969409		Disconinue	THREAD GUIDE ARM B	2				
41		*	11969508	13168802	Replaced	SPOOL REST ARM A	4	1.00			
42		*	B3318704L00A		Disconinue	THREAD GUIDE ARM JOIN	6				
43		*	SM6061610SC			SCREW M6 L=16	6				
44		*	B3311704000	22931406	Replaced	SPOOL REST ROD CAP	1	1.00			
45		*	11185204	22930408	Replaced	SPOOL REST ROD,UPPER	1	1.00			
46		*	B3305704000A	22931307	Replaced	SPOOL REST ROD JOINT	1	1.00			
47		*	NM6050001SE			NUT M5	2				
48		*	SM4051405SE			SCREW M5 L=14	2				
49		*	B33097040A0	26910059	Replaced	THREAD GUIDE ARM ASM.	1	1.00			
50		*	B3311804000	13167903	Replaced	LOWER THREAD GUIDE	1	1.00			
51		*	SS7110540SP			SCREW 11/64-40 L=5	1				
52		*	B3309704000	13168109	Replaced	THREAD GUIDE ARM	1	1.00			
53		*	B3304704000A		Disconinue	THREAD GUIDE ARM HOLI	1				
54		*	SM6053000SE		Disconinue	SCREW M5X0.8 L=30	1				
55		*	NM6050001SE			NUT M5	1				
56		*	11185105	22930309	Replaced	SPOOL REST ROD,LOWER	1	1.00			
57		*	11185501		Disconinue	SPOOL RETAINER	5				
58		*	B3320704L00A	22931000	Replaced	SPOOL PIN	5	1.00			
59		*	B3311012000		Disconinue	SPOOL REST CUSHION	5				
60		*	11966504	22930804	Replaced	SPOOL REST	5	1.00			

THREAD STAND COMPONENTS (FOR MOJ-3916)



HOW TO MAKE USE OF THIS PARTS LIST

1.Explanation of codes

1)"*"mark.....means this part is changed from the previous parts book.

As to the details of the change, refer to the "List for information of change".

2)"#01".....refer to "Note" explanation at bottom of page.

2.Codes on the "Qty" column

• Each numeral indicates the number of parts required.

• "0.1" and "2.5" indicate the length (in meters) of the respective parts.

3.Parentheses mean that the corresponding part is a subpart that constructs an assembly part.

4.Dotted lines on the Figures indicate assembly parts.

1."注記"欄の記号説明

1) "*"印.....前回のパーツブックに比較して今回変更された部品を意味します。

変更内容は、"変更情報リスト"を参照してください。

2) "#01".....ページ下の"注記"の説明を参照してください。

2.数量欄の数字は、個数を表し、0.1、2.5等の数値は、長さ（単位メートル）を表します。

3.数量欄の（ ）は、組部品を構成している子部品であることを意味します。

4.イラストページの-----枠は、組構成であることを意味します。

NUMERICAL INDEX OF PARTS

PART NO	PAGE	REF NO.	PART NO	PAGE	REF NO.	PART NO	PAGE	REF NO.
10004109	4	12	11565900	40	23	11825908	12	60
10126803	44	32	11566502	36	5	11826005	14	67
11151065	50	26	11566809	16	28	11826005	20	25
11155108	46	19	11566809	40	13	11826104	12	59
11155108	48	30	11571403	46	13	11826104	20	26
11155207	46	20	11571403	48	7	11826203	14	69
11155207	48	31	11571601	46	3	11826203	20	27
11157567	50	2	11571809	48	2	11826310	12	27
11159001	50	18	11571908	48	3	11826401	12	31
11159365	50	14	11582012	22	27	11827607	12	47
11185006	52	21	11582079	22	26	11827904	12	51
11185105	52	45	11582103	22	11	11828050	12	10
11185105	54	56	11598000	40	22	11828407	12	53
11185204	52	34	11651809	12	16	11828514	12	33
11185204	54	45	11700507	12	22	11828563	12	29
11185352	52	2	11701604	12	12	11828605	12	37
11185402	52	3	11802006	36	36	11828704	10	39
11185501	52	46	11802204	2	16	11829314	26	31
11185501	54	57	11802402	2	17	11829751	26	3
11404704	44	43	11803004	2	43	11829900	26	1
11500808	4	2	11804309	2	31	11831757	22	18
11501301	2	3	11804606	36	52	11831906	22	39
11503703	4	36	11805207	4	28	11833100	22	53
11503810	4	44	11806304	36	42	11833308	22	16
11503885	4	41	11811619	6	46	11833407	22	47
11503919	4	40	11819109	30	36	11833506	22	35
11510609	6	40	11819208	30	37	11834603	44	41
11528403	12	24	11819315	30	35	11840303	44	8
11528502	12	17	11823606	10	12	11841707	44	9
11529005	12	54	11823606	40	1	11843208	44	33
11529005	20	24	11823705	10	13	11846607	36	18
11529914	12	8	11823705	40	2	11847100	36	8
11530110	10	2	11823804	8	11	11848603	36	2
11544400	22	9	11823804	10	14	11849361	46	15
11544517	22	10	11823804	40	3	11849361	48	9
11550100	32	49	11823903	10	15	11849379	48	8
11550209	32	50	11823903	40	4	11849411	46	12
11550308	32	13	11824018	10	4	11849411	48	25
11550803	32	12	11824067	10	1	11849601	46	14
11550852	32	6	11824109	10	8	11850401	48	17
11565405	40	21	11824505	12	1	11850500	48	21
11565504	40	26	11824653	12	6	11850609	48	20
11565603	40	27	11824703	12	49	11850815	46	11
11565702	40	24	11825304	12	30	11850815	48	26
11565801	40	12	11825858	12	36	11850906	48	10

NUMERICAL INDEX OF PARTS

PART NO	PAGE	REF NO.	PART NO	PAGE	REF NO.	PART NO	PAGE	REF NO.
11855905	42	3	11969508	54	41	12103206	2	50
11855954	42	1	11969557	54	1	12103305	2	20
11855970	42	2	11969953	52	27	12103404	2	47
11856002	42	16	11970050	54	33	12103511	2	54
11856051	42	14	11991502	12	3	12103602	36	23
11856077	42	15	12002606	6	47	12103701	36	22
11856101	42	17	12004206	22	14	12104907	4	47
11856200	42	18	12004404	44	50	12105201	4	48
11856309	42	20	12004503	22	25	12105359	2	1
11856408	42	23	12012506	28	19	12107702	6	43
11856507	42	24	12012555	28	12	12107900	6	34
11890001	22	55	12013306	12	13	12108007	6	8
11890100	36	53	12013405	12	23	12108106	6	9
11890308	36	45	12015301	36	46	12108213	6	1
11898400	20	28	12015400	36	47	12108304	6	4
11913407	16	29	12022901	28	11	12108403	6	5
11914405	16	30	12022950	28	4	12109211	8	13
11918109	44	10	12023206	28	30	12109260	8	12
11925104	28	16	12023255	28	20	12109302	8	5
11929403	28	23	12023305	28	28	12109500	8	8
11930609	28	18	12024303	28	24	12109617	8	2
11930906	28	15	12024402	28	25	12109666	8	1
11948601	10	5	12024501	28	31	12109906	8	17
11949005	2	14	12025706	6	51	12109955	8	15
11951100	2	30	12100301	4	20	12110227	8	23
11956505	6	38	12100418	4	1	12110805	8	41
11959400	46	1	12100517	4	18	12110904	8	40
11959558	48	1	12100608	4	3	12111209	8	27
11960002	46	29	12100806	4	5	12111308	8	29
11960002	48	40	12101200	2	45	12112108	8	35
11960200	48	15	12101309	2	42	12113205	30	24
11960259	48	14	12101408	2	51	12113817	30	32
11960309	48	18	12101515	2	39	12114807	30	42
11960655	50	1	12101804	4	15	12114906	30	18
11960754	50	13	12101903	4	10	12115903	30	41
11962800	46	25	12101952	4	7	12116117	10	36
11962800	48	36	12102000	4	33	12116174	10	25
11962909	46	26	12102109	4	35	12116216	10	35
11962909	48	37	12102208	36	21	12116307	10	33
11966504	52	49	12102307	2	33	12116406	10	34
11966504	54	60	12102406	2	34	12116505	10	40
11966702	46	2	12102752	2	2	12116703	10	41
11969409	54	40	12102810	36	27	12116703	20	29
11969458	52	1	12102950	36	35	12117107	10	46
11969508	52	51	12103107	36	37	12117206	10	16

NUMERICAL INDEX OF PARTS

PART NO	PAGE	REF NO.	PART NO	PAGE	REF NO.	PART NO	PAGE	REF NO.
12117305	10	23	12126967	32	34	12258802	26	39
12117412	12	21	12127015	32	40	12258901	26	40
12117461	12	19	12127064	32	35	12259008	26	37
12117511	12	20	12127114	32	41	12259107	26	38
12118501	10	43	12127163	32	36	12280103	6	45
12118600	10	38	12127213	32	42	12288700	30	15
12118709	14	70	12127262	32	37	12300109	2	10
12118808	10	26	12127403	34	72	12300208	2	11
12118907	10	24	12127502	34	73	12300505	2	7
12119210	10	19	12127601	34	74	12300653	4	24
12119400	12	46	12127700	34	75	12304002	8	44
12119509	12	50	12127809	34	76	12304101	8	46
12119608	12	42	12127957	34	77	12304309	8	38
12119756	12	40	12128203	34	66	12304408	8	39
12119806	12	41	12128302	34	67	12305009	30	25
12119905	12	43	12129706	44	34	12305256	30	30
12120002	12	44	12130100	44	35	12305405	18	63
12120416	26	14	12130209	44	36	12305504	18	64
12120465	26	13	12130308	44	37	12305603	28	1
12120507	26	17	12130407	44	38	12305850	30	21
12120804	32	17	12132106	6	12	12305900	30	14
12120903	32	14	12132155	6	11	12305959	30	12
12121000	32	16	12132502	40	7	12306007	16	14
12121109	32	18	12132619	36	19	12306106	30	2
12121208	32	24	12132700	36	24	12306155	30	1
12121307	32	26	12133211	36	41	12306205	30	3
12122008	26	26	12133708	36	32	12306353	30	4
12122404	22	5	12135505	46	24	12306551	30	5
12122511	22	4	12135505	48	35	12306601	30	7
12122610	22	1	12135554	46	23	12306700	30	8
12123410	22	22	12135554	48	34	12306809	30	27
12123501	22	29	12138152	42	29	12308003	20	1
12123808	22	45	12138301	42	30	12308102	20	2
12123907	22	43	12138400	42	28	12308201	20	3
12124004	22	36	12147203	2	36	12308300	16	26
12124608	22	7	12250205	4	19	12308300	20	4
12124806	22	8	12250510	2	25	12308409	16	21
12126108	34	82	12250601	2	29	12308409	20	5
12126207	32	32	12252706	44	42	12308508	20	6
12126405	34	65	12252805	8	6	12308607	20	7
12126504	34	78	12258000	4	21	12308706	20	9
12126702	32	53	12258307	26	35	12308755	20	8
12126819	32	39	12258406	26	36	12308805	20	10
12126868	32	33	12258505	26	33	12308904	20	13
12126918	32	38	12258604	26	34	12309001	20	14

NUMERICAL INDEX OF PARTS

PART NO	PAGE	REF NO.	PART NO	PAGE	REF NO.	PART NO	PAGE	REF NO.
12309100	16	1	12316105	44	5	12378105	36	20
12309209	16	2	12316204	44	6	12378303	36	12
12309308	16	3	12316303	44	22	12378816	8	18
12309407	16	4	12316402	18	68	12378915	8	19
12309506	16	5	12316501	18	69	12379012	8	20
12309605	16	6	12316600	18	70	12379608	2	37
12309704	16	7	12316709	18	71	12382503	12	14
12309803	16	8	12316808	18	72	12383501	22	34
12309803	40	14	12316907	18	73	12383600	22	33
12309902	16	9	12317004	44	7	12383808	22	32
12310009	16	10	12317103	18	74	12384202	24	57
12310108	16	11	12317202	18	75	12384400	26	28
12310207	16	12	12318002	40	5	12384509	36	49
12310306	16	13	12318101	40	10	12385258	2	23
12310504	16	15	12341806	46	6	12385357	2	13
12310603	16	16	12341905	46	5	12386009	4	13
12310702	16	17	12341954	46	4	12386504	8	47
12310801	16	19	12347555	32	21	12386603	8	30
12310850	16	18	12371506	6	10	12388054	32	29
12310900	16	20	12372009	8	21	12388153	32	30
12310900	30	13	12372108	8	24	12388252	32	31
12311007	16	22	12372157	8	22	12388500	2	15
12311106	16	23	12372306	8	33	12388807	16	60
12311205	20	15	12372405	8	34	12388906	18	61
12311304	20	16	12372603	6	16	12389003	18	62
12311403	20	17	12372652	6	15	B1140716000	2	53
12311502	20	18	12373007	30	20	B1211804000	6	39
12311650	20	19	12374013	26	23	B1212704000	6	19
12311809	20	20	12374104	26	19	B1215804000	6	6
12311908	20	21	12374203	26	22	B1414555000	12	35
12312005	20	22	12375051	6	21	B1422804A00	22	19
12312104	20	23	12375150	6	26	B1528804000A	28	2
12312203	16	24	12375259	6	30	B1529804000	30	40
12312302	16	25	12375309	6	25	B1534804000	30	23
12315008	44	1	12375408	6	37	B1604704000	10	30
12315156	44	18	12375606	22	41	B1606704000	10	45
12315206	44	29	12375705	24	59	B16118040A0A	10	18
12315354	44	16	12375952	22	49	B1612804C00	16	31
12315503	44	19	12377552	36	16	B1620804000	10	9
12315602	44	20	12377560	36	15	B1624704000	12	9
12315701	44	21	12377586	36	14	B1646704000A	14	66
12315800	44	17	12377602	36	26	B1646704000A	20	30
12315909	44	3	12377701	36	28	B1647704000A	14	65
12315958	44	2	12377800	36	30	B1652704000	10	42
12316006	44	4	12377909	36	31	B2017372000	32	9

NUMERICAL INDEX OF PARTS

PART NO	PAGE	REF NO.	PART NO	PAGE	REF NO.	PART NO	PAGE	REF NO.
B2024771000	16	32	B3311804000	52	39	D8114555B0E	50	31
B2024771000	40	18	B3311804000	54	50	D8125772B00	50	37
B2102816000A	26	6	B3317704000	52	52	D8204555D00	46	22
B2105816000	26	4	B3317704000	54	29	D8204555D00	48	33
B2107816000	10	10	B3317704000	56	62	GPF06060000	50	15
B2111716000	26	16	B3318704L00A	52	29	GPF06070000	50	16
B2119816A00	26	8	B3318704L00A	54	42	GPF06080000	50	17
B2119816B00	26	9	B3319704L00	52	33	MAO11532000	52	57
B2119816C00	26	10	B3319704L00	54	39	MAO11532000	54	36
B2119816D00	26	11	B3320704L00A	52	47	MDO500S1800	8	31
B2119816E00	26	12	B3320704L00A	54	58	MDO500S2100	8	49
B2120816000	26	5	B3321704L00	52	54	NM6040000SN	16	38
B2202816000	32	22	B3321704L00	54	31	NM6050001SE	52	50
B2314019000	32	7	B3321704L00	56	64	NM6050001SE	54	55
B2401816000	32	3	B3321704L0B	52	32	NM6050001SE	56	61
B2402716000	32	4	B3321704L0B	54	35	NM6060001SE	52	56
B2508704000	22	21	B3525704000	16	52	NM6060001SE	54	34
B2525352000	26	27	B3534012000	44	45	NM6060003SC	30	29
B2530704000	22	51	B3534352000	44	11	NM6080011SF	16	39
B2531704000	22	31	B411180400E	40	15	NM6080600SM	48	12
B2531704000	26	18	B4115704000	36	33	NM6080721SE	50	32
B2739761000	36	38	B71140120A0	50	25	NS6090310SN	2	40
B3013141H0A	4	32	B8151771000	50	38	NS6090310SP	34	70
B3101804000	32	47	B81517710A0	50	27	NS6090310SP	40	17
B3102804000	32	46	B8152771000	50	39	NS6090310SP	46	28
B3103804000	32	48	B8153771000	50	40	NS6090310SP	48	39
B3112704000	32	45	BT0500300EA	44	46	NS6110310SP	44	52
B3113352000	32	2	BT0500300EG	44	49	NS6110420SP	2	18
B3120125000	32	8	BT0700500EA	42	19	NS6110420SP	30	38
B3120352000	32	60	CM300200001	2	55	NS6150430SP	18	65
B3120352000	34	62	CM3002000A1	4	8	NS6240630SN	46	18
B3120704000	32	56	CM300200101	4	51	NS6240630SN	48	6
B3126012000	32	59	CM3002001A1	4	11	NS6620320SP	10	6
B3304704000A	52	42	CQ202000000	16	37	NS6680410SP	4	39
B3304704000A	54	53	CQ202000000	22	20	PS0150082KH	20	12
B3305704000A	52	35	CQ252000000	8	16	PS0200052KH	32	20
B3305704000A	54	46	CS0400671SD	2	5	PS0200062KH	26	30
B3309704000	52	41	CS095081ASH	10	21	PS0300062KH	22	30
B3309704000	54	52	CS100101ESH	16	33	PS0300132KH	4	50
B33097040A0	52	38	CS100101ESH	20	33	PS0300132KH	10	31
B33097040A0	54	49	CS1031210SH	22	23	PS0300132KH	34	80
B3311012000	52	48	CS111101HSH	16	35	R4300J0FL00	36	3
B3311012000	54	59	CS111101HSH	40	8	R4306J0HJ00	36	6
B3311704000	52	31	CS1201010SH	8	9	R4612J0HL00	36	9
B3311704000	54	44	D8113555B00	50	33	RE0300000K0	12	58

NUMERICAL INDEX OF PARTS

PART NO	PAGE	REF NO.	PART NO	PAGE	REF NO.	PART NO	PAGE	REF NO.
RE0300000K0	20	37	SM4040855SP	42	27	SM9082513CF	48	11
RE0400000K0	16	40	SM4041055SP	2	46	SQ0000451MZ	44	58
RE0400000K0	20	38	SM4041055SP	12	56	SQ1110401MZ	44	59
RE0500000K0	12	26	SM4041401SC	10	44	SQ1110451MZ	44	39
RE0900000K0	20	39	SM4041455SN	34	79	SQ1150441SD	44	40
RO037180100	22	42	SM4050855SP	6	44	SQ1150451MZ	44	23
RO060150100	14	71	SM4050855SP	32	1	SQ1150454SD	44	24
RO068190100	20	40	SM4051055SP	2	12	SS2090520SL	2	38
RO074240100	4	42	SM4051055SP	38	54	SS2090830SL	34	69
RO078190100	4	6	SM4051255SP	4	4	SS2110710TP	16	44
RO078190100	12	5	SM4051405SE	52	37	SS2110910SL	36	1
RO108240100	8	25	SM4051405SE	54	48	SS3090610SP	2	41
RO110090100	30	19	SM4051601SC	44	54	SS3090610SP	22	48
RO218240100	44	53	SM4060801SE	44	55	SS4060310SP	40	25
RO347350100	6	42	SM4061201SE	52	55	SS4080610SP	12	18
RO480120100	12	52	SM4061201SE	54	32	SS4080620TP	6	35
SB110000300	6	7	SM4061201SE	56	65	SS4090415SP	32	28
SD0260271SP	10	29	SM6030510SC	20	43	SS4090515SP	14	63
SD0280401SL	8	42	SM6051202TP	10	3	SS4090515SP	20	47
SD0600341TP	32	19	SM6051202TP	12	34	SS4090615SP	22	17
SD0720271SP	12	28	SM6051202TP	26	20	SS4091015SP	2	22
SD0720803TH	26	7	SM6053000SE	52	43	SS4091015SP	42	25
SK2351600SC	46	10	SM6053000SE	54	54	SS4110515SP	8	28
SK2351600SC	48	28	SM6061200SP	22	6	SS4110515SP	32	25
SK3311500SC	46	21	SM6061200SP	30	28	SS4112215SP	44	14
SK3311500SC	48	32	SM6061202TP	6	29	SS4120615SP	2	24
SK3382001SE	52	28	SM6061210SC	20	45	SS4151215SP	4	14
SK3382001SE	54	38	SM6061402TP	8	14	SS5080212TP	6	36
SK3412000SC	4	49	SM6061402TP	10	20	SS5090610SP	46	27
SK3513200SC	50	41	SM6061610SC	20	46	SS5090610SP	48	38
SL4051231SC	14	62	SM6061610SC	52	30	SS5110710SP	4	30
SL9061291SE	50	24	SM6061610SC	54	43	SS5110710SP	46	9
SL9082091SE	50	22	SM6061802TP	44	56	SS5110710SP	48	27
SM0030301SN	20	42	SM8040302TP	2	6	SS5150510SP	32	5
SM0081001SD	4	43	SM8040402TP	30	16	SS6060440TP	22	56
SM1040801SC	2	26	SM8040612TP	8	26	SS6080320SP	10	47
SM1040801SC	4	23	SM8050402TP	26	25	SS6080410SP	12	32
SM4040601SC	4	25	SM8050402TP	44	57	SS6080410SP	22	38
SM4040655SP	2	48	SM8050602TP	26	24	SS6080720SP	8	37
SM4040655SP	22	46	SM9051203CP	16	41	SS6090420SP	48	19
SM4040855SP	2	32	SM9061203SE	50	34	SS6090620SP	12	57
SM4040855SP	4	22	SM9061250TP	16	43	SS6090620TP	24	58
SM4040855SP	6	3	SM9061250TP	20	44	SS6090630SP	22	52
SM4040855SP	8	36	SM9061250TP	40	6	SS6090630SP	46	8
SM4040855SP	12	2	SM9082023SE	50	28	SS6090630SP	48	29

NUMERICAL INDEX OF PARTS

PART NO	PAGE	REF NO.	PART NO	PAGE	REF NO.	PART NO	PAGE	REF NO.
SS6090630TP	22	12	SS7110720SP	36	17	SS9111050SP	12	15
SS6090650SP	28	26	SS7110720TP	26	2	SS9111610SP	40	28
SS6090650SP	44	13	SS7110740TL	34	71	SS9112420TP	40	19
SS6090670TP	8	45	SS7110740TP	16	50	SS9151210TP	4	27
SS6110420TP	16	45	SS7110810SP	10	32	SS9151210TP	18	66
SS6110520TP	16	46	SS7110840SP	6	18	SS9151210TP	22	40
SS6110610TP	2	8	SS7110840SP	22	37	SS9151210TP	26	32
SS6110610TP	36	51	SS7110840SP	24	60	SS9151210TP	30	33
SS6110710TP	10	28	SS7110840SP	30	11	SS9681610TP	6	50
SS6110710TP	16	47	SS7110840SP	36	39	ST60308210A	48	23
SS6110710TP	26	41	SS7110840SP	42	22	TA0180401M0	16	54
SS6110710TP	30	31	SS7110910SP	2	9	TA0290301M0	44	30
SS6110820TP	16	48	SS7110910TP	10	37	TA0340201R0	16	55
SS6111052TP	30	6	SS7110910TP	34	81	TA0400301M0	44	31
SS6111440SP	2	19	SS7111410SP	30	39	TA0620504R0	34	68
SS6120620TP	44	25	SS7111410TP	6	32	TA0750704R0	4	45
SS6121020SP	18	67	SS7111810SP	6	33	TA0800501R0	16	56
SS6121020SP	30	26	SS7111810TP	6	31	TA0800504R0	12	4
SS6121220TP	10	11	SS7111810TP	20	41	TA0950806R0	42	31
SS6151440SP	36	13	SS7151120SP	36	34	TA1030402R0	10	7
SS6660710TP	20	49	SS7161040SP	30	34	TA1701107R0	4	46
SS6661110SP	12	38	SS8080310TP	8	48	TA1871602R0	4	29
SS7060310SP	12	39	SS8090530TP	8	4	TA2050416R0	10	17
SS7060510SP	12	48	SS8110410TP	2	44	TA2050805R0	4	26
SS7060510SP	28	3	SS8110410TP	10	22	WP0370316SD	48	22
SS7060510SP	36	48	SS8110410TP	12	11	WP0371016SD	14	61
SS7060610SP	22	15	SS8110410TP	32	23	WP0371016SD	20	35
SS7080520SP	28	21	SS8110410TP	44	12	WP0371026SD	28	22
SS7090410SP	16	49	SS8110520TP	30	22	WP0371026SD	42	26
SS7090510SP	36	50	SS8110520TP	44	28	WP0371036SD	16	57
SS7090530SP	2	49	SS8110750SP	10	27	WP0451026SH	16	58
SS7090610SP	2	52	SS8151150SP	6	48	WP0460556SD	14	68
SS7090610SP	36	44	SS8660330SP	12	7	WP0460556SD	20	36
SS7090610SP	42	21	SS8660330SP	16	36	WP0480856SP	12	55
SS7090611SL	4	34	SS8660330SP	40	9	WP0621016SD	14	64
SS7090620TP	12	45	SS8660530TP	16	34	WP0621016SD	20	48
SS7090710SP	36	29	SS8660530TP	20	34	WP0621016SH	16	59
SS7090850SP	22	54	SS8660610TP	8	10	WP0621036SP	36	40
SS7091410SP	2	28	SS8660610TP	22	24	WP0651056SD	44	44
SS7091810SP	40	16	SS9090410TP	22	13	WP0671016SE	50	36
SS7110510SP	2	35	SS9090610TP	20	50	WP0751576SD	4	37
SS7110510SP	30	10	SS9090610TP	22	50	WP0764016SP	6	49
SS7110540SP	52	40	SS9110430TP	26	29	WP0850002SC	48	13
SS7110540SP	54	51	SS9111010SP	12	25	WP0871602SE	50	30
SS7110710SP	2	21	SS9111010SP	36	25	WP1102016SC	46	16

NUMERICAL INDEX OF PARTS

PART NO	PAGE	REF NO.
WP1102016SC	48	4
WP1612616SE	52	53
WP1612616SE	54	30
WP1612616SE	56	63
WS0621210KR	50	35
WS0822010KP	4	38
WS0861410KR	50	29
WS1002560KR	46	17
WS1002560KR	48	5
WZ0420350KP	2	4
WZ0640312K0	32	27
WZ0850302K0	4	31
WZ2640310KH	6	41