

MODEL : MO-6700DA-0E4/MO-6714DA-BE6/MO-6716DA-DE4
List No : 1431-05

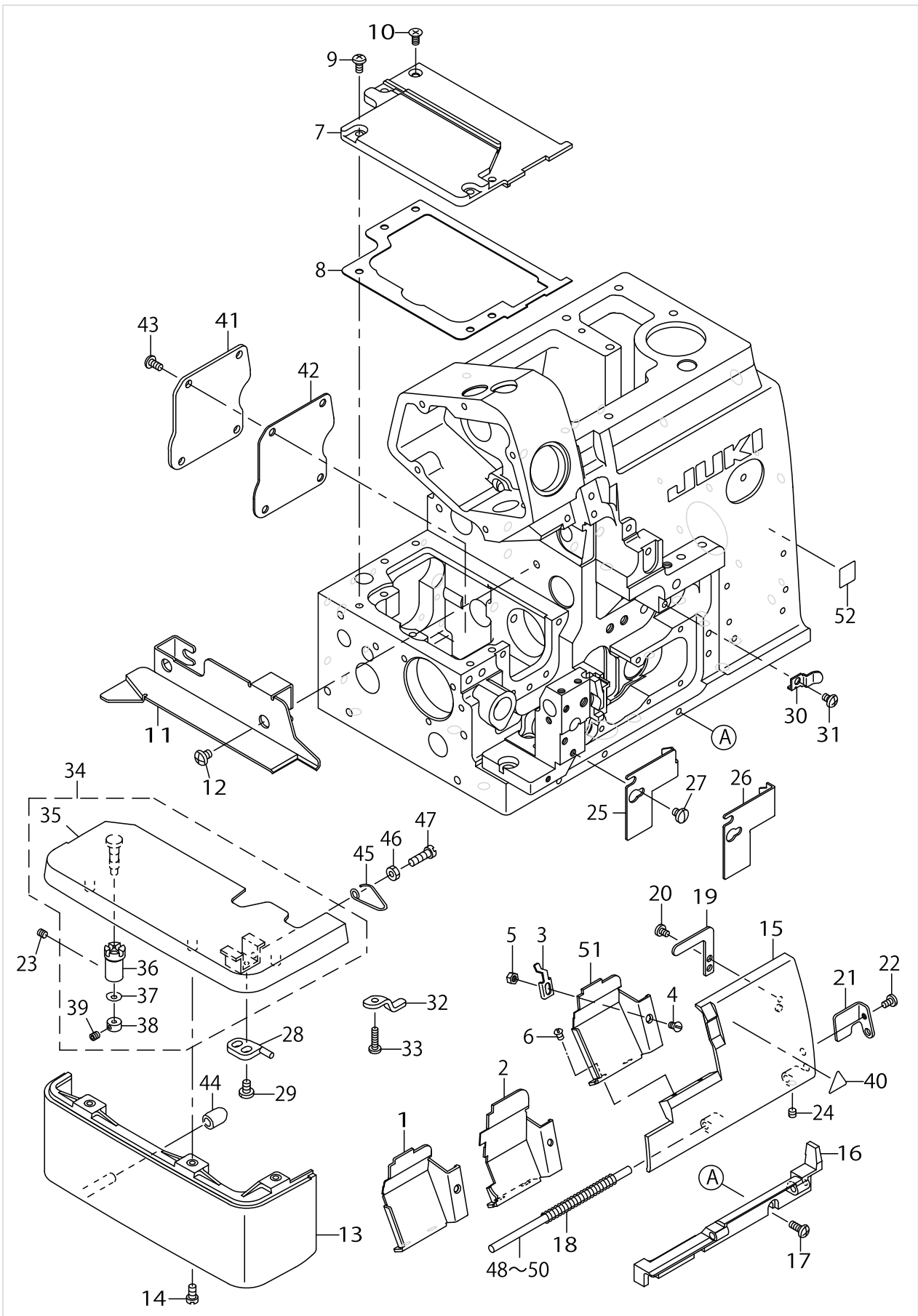
PARTS LIST

Published:09/10/2017

CONTENTS

MISCELLANEOUS COVER COMPONENTS (1).....	1
MISCELLANEOUS COVER COMPONENTS (2).....	5
CRANKSHAFT COMPONENTS	9
NEEDLE DRIVING SHAFT COMPONENTS.....	13
FEED MECHANISM COMPONENTS (1).....	17
FEED MECHANISM COMPONENTS (2).....	19
UPPER & LOWER LOOPER COMPONENTS.....	23
CHAIN LOOPER COMPONENTS (FOR MO-6716DA).....	27
PRESSER FOOT COMPONENTS (1).....	29
PRESSER FOOT COMPONENTS (2).....	31
THREAD TENSION COMPONENTS	33
LOWER KNIFE COMPONENTS.....	37
UPPER KNIFE COMPONENTS	39
NEEDLE COOLING MECHANISM COMPONENTS (FOR SH).....	41
LUBRICATION MECHANISM COMPONENTS.....	43
SEMI-SUNKEN TYPE TABLE COMPONENTS.....	47
FULLY-SUNKEN TYPE TABLE COMPONENTS.....	49
STAND COMPONENTS (Z/T).....	51
THREAD STAND COMPONENTS (FOR MO-6704DA,MO-6714DA).....	53
THREAD STAND COMPONENTS (MO-6704DA,MO-6714DA SPECIAL ORDER PARTS).....	55
THREAD STAND COMPONENTS (FOR MO-6716DA).....	57
THREAD STAND COMPONENTS (MO-6716DA SPECIAL ORDER PARTS).....	59
SPECIAL ORDER PARTS COMPONENTS.....	61
ACCESSORIES PARTS COMPONENTS	65
HOW TO MAKE USE OF THIS PARTS LIST	67

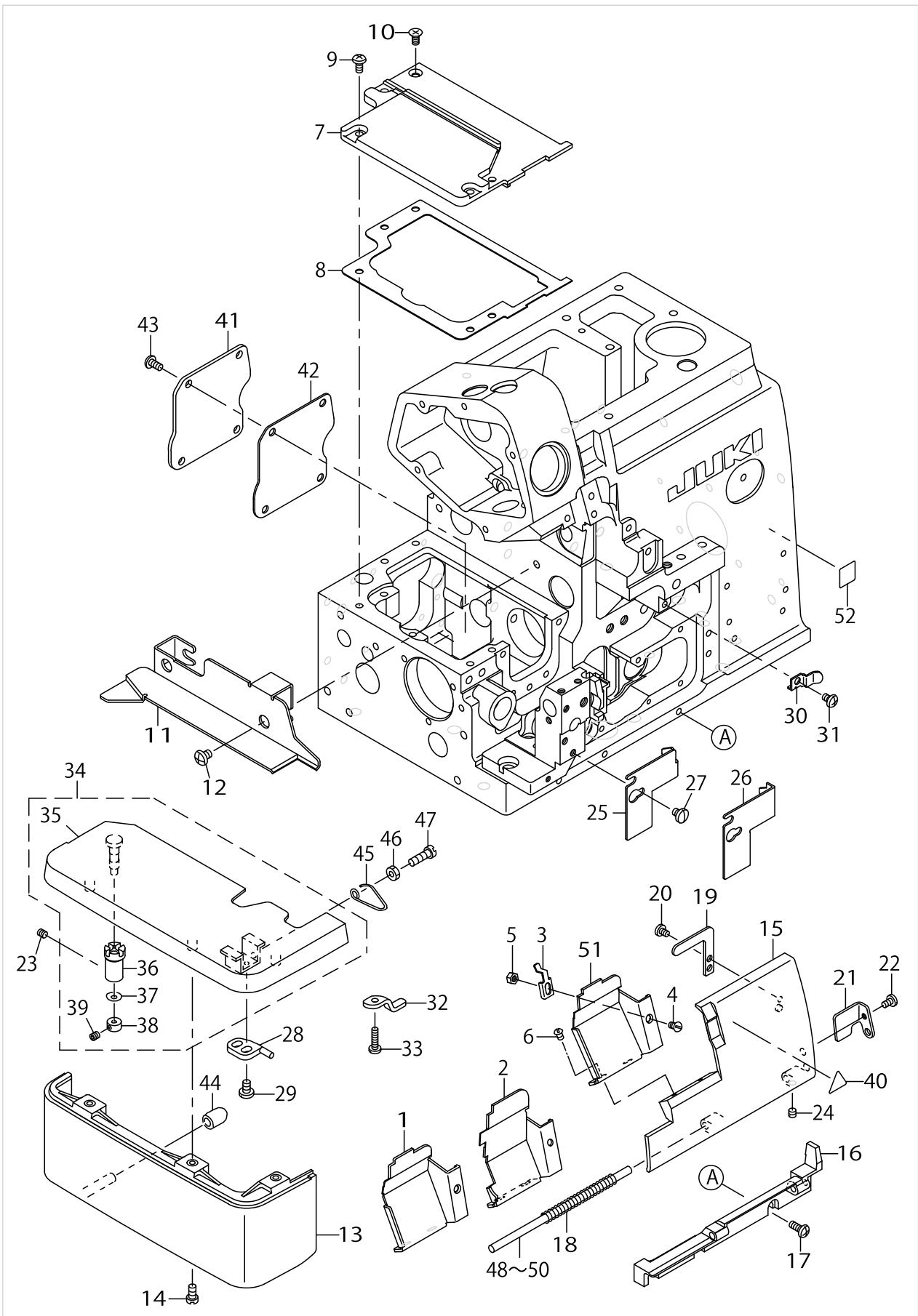
MISCELLANEOUS COVER COMPONENTS (1)



MISCELLANEOUS COVER COMPONENTS (1)

No.	Parts No.	Parts name	Remarks	Level	Cons	Qty
1	13104104	CLOTH WASTE COVER	FOR MO-6704DA,MO-6714DA (FOR SH)			1
2	13104203	CLOTH WASTE COVER	FOR MO-6716DA			1
3	13102405	CROTH WASTE COVER STOPPER				1
4	SS2090520SL	SCREW 9/64-40 L=5				1
5	NS6090310SN	NUT 9/64-40				1
6	SS3090610SP	SCREW 9/64-40 L=6				2
7	13200704	FEED MECHANISM COVER				1
8	13200803	FEED MECHANISM COVER GASKET				1
9	SM4040855SP	SCREW				4
10	SM1040801SC	SCREW M4X0.7 L=8				1
11	12342101	CLOTH BASE SIDE COVER				1
12	SS4120615SP	SCREW 3/16-28 L=6				2
13	13103809	CLOTH BASE COVER				1
14	SS4091015SP	SCREW 9/64-40 L=10				2
15	13100904	LOOPER COVER				1
16	13100805	LOOPER COVER BRACKET				1
17	SM4041055SP	SCREW M4 L=10				3
18	13101209	LOOPER COVER SPRING				1
19	13101407	LOOPER COVER PRESSER PLATE				1
20	SS7090530SP	SCREW 9/64-40 L=4.5				1
21	13101001	LOOPER COVER GUIDE PLATE				1
22	SS7090610SP	SCREW 9/64-40 L=6				1
23	SS8110410TP	SCREW 11/64-40 L=3.5				1
24	SS8110410TP	SCREW 11/64-40 L=3.5				1
25	13101506	CLOTH WASTE COVER LEFT	FOR MO-6704DA,MO-6714DA			1
26	13101605	CLOTH WASTE COVER LEFT	FOR MO-6716DA			1
27	SS7110510SP	SCREW 11/64-40 L=5				2
28	13101704	CLOTH BASE SWITCH-TYPE STOPPER				1
29	SS7110710SP	SCREW 11/64-40 L=7				2
30	13101308	LOOPER COVER PRESSER SPRING				1
31	SM4040655SP	SCREW M4 L=6				1
32	13101803	CROTH BASE SUPPORT PLATE				1
33	SS7091410SP	SCREW 9/64-40 L=13.5				1
34	13103650	CLOTH BASE CMPL.				1
35	13102058	CLOTH BASE ASM.		*		1
36	13101902	CLOTH BASE ECCENTRIC BUSHING		*		1
37	WZ0420350KP	DISC SPRING		*		1
38	13172903	CLOTH BASE HINGE SHAFT COLLAR		*		1
39	SM8040302TP	SETSCREW		*		1
40	CM300200001	ATTENTION SEAL				1
41	40102307	ADJUSTING_HOLE_COVER				1
42	13201603	ADJUSTING HOLE COVER GASKET				1
43	SM4040855SP	SCREW				4
44	13104302	CLOTH BASE COVER RUBBER PLUG				1
45	13102207	CLOTH BASE SWITCH-TYPE SPRING				1
46	NS6110420SP	NUT 11/64-40				1
47	SS6111440SP	SCREW 11/64-40 L=14.0				1

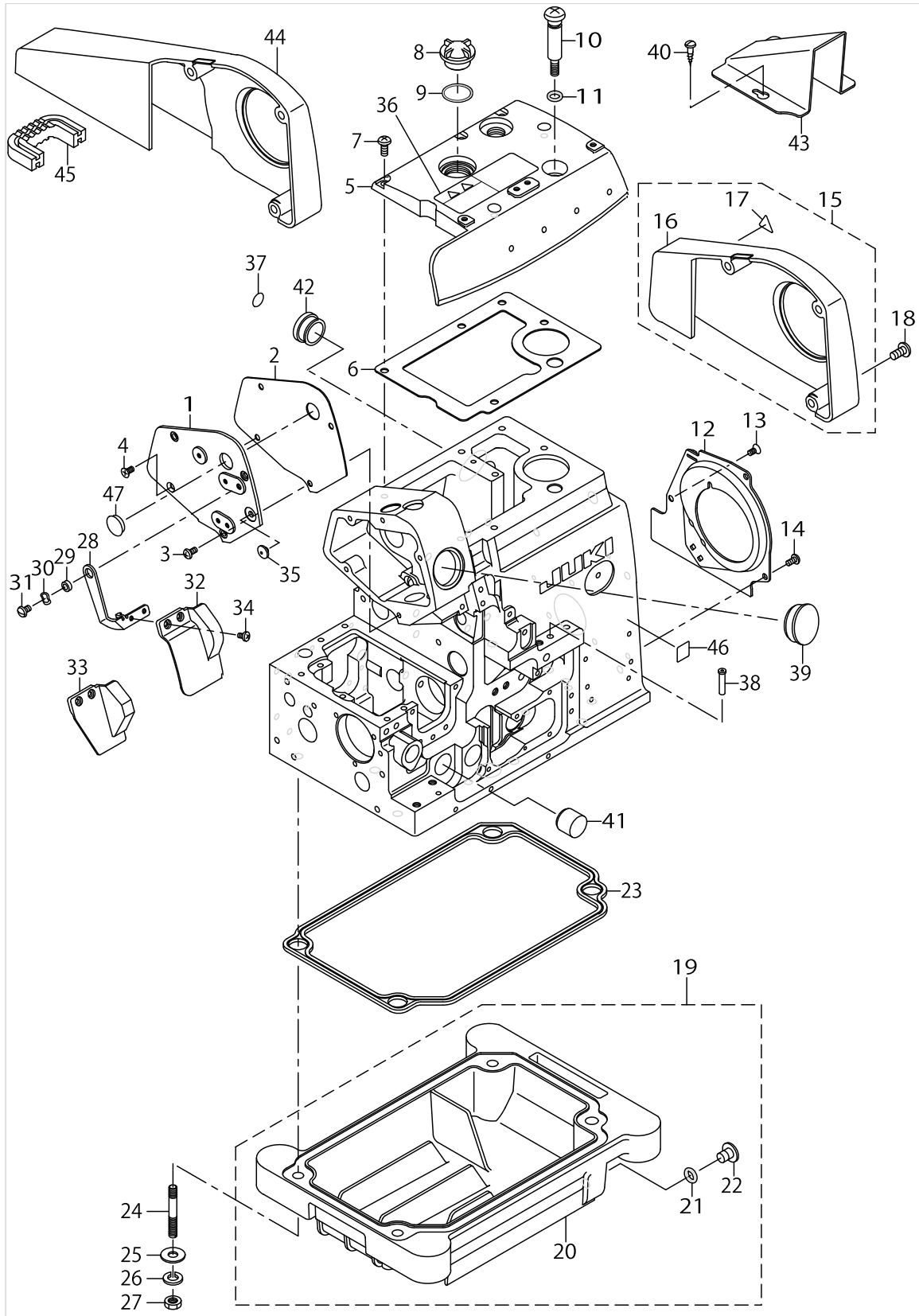
MISCELLANEOUS COVER COMPONENTS (1)



MISCELLANEOUS COVER COMPONENTS (1)

No.	Parts No.	Parts name	Remarks	Level	Cons	Qty
48	13240007	LOOPER COVER HINGE SHAFT A	SELECTIVE PARTS			1
49	13240106	LOOPER COVER HINGE SHAFT B	SELECTIVE PARTS			1
50	13240205	LOOPER COVER HINGE SHAFT C	SELECTIVE PARTS			1
51	13104005	CLOTH WASTE COVER	FOR MO-6704DA,MO-6714DA			1
52	40150131	EAC_MARK_LABEL_S	FOR JE			1

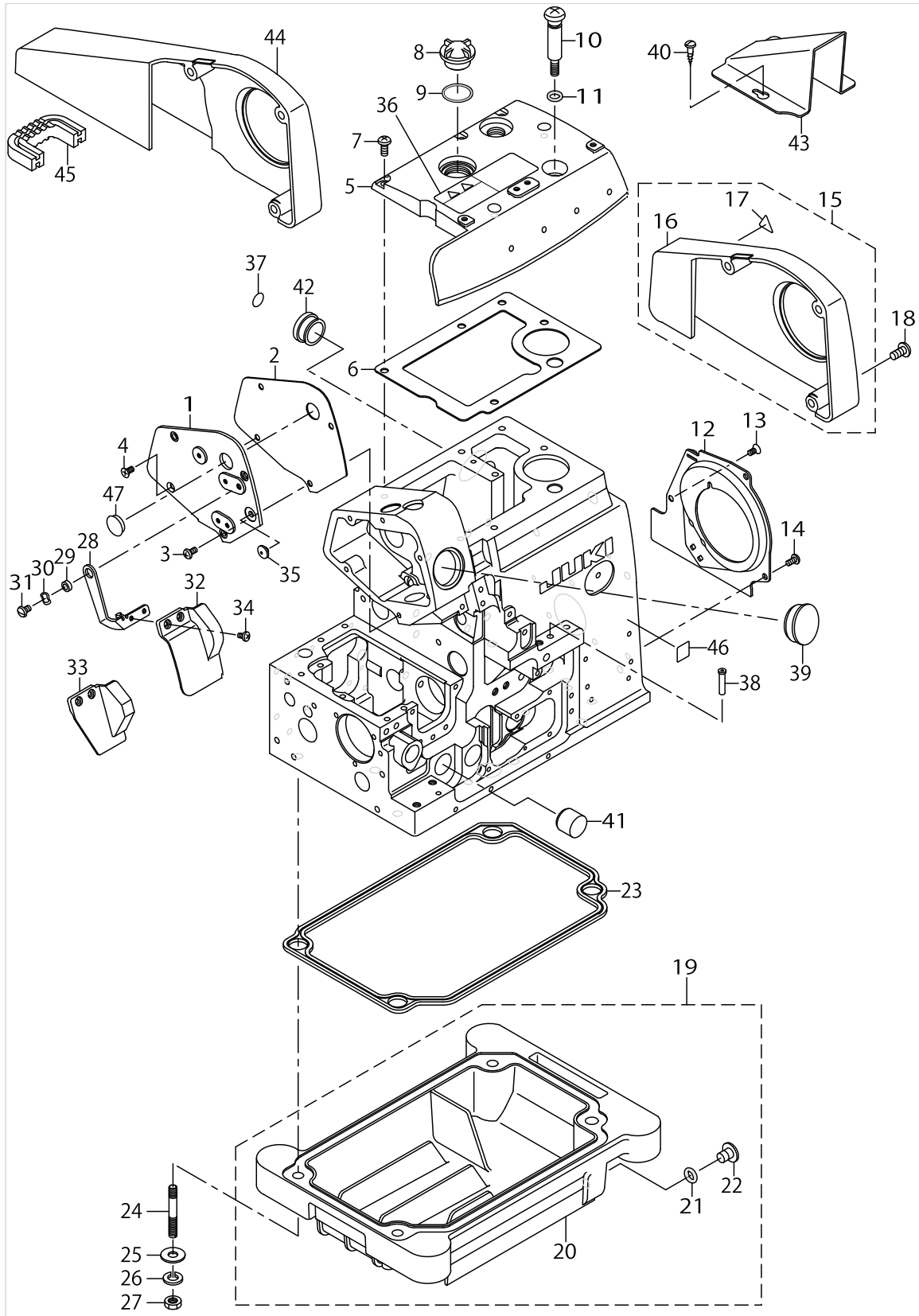
MISCELLANEOUS COVER COMPONENTS (2)



MISCELLANEOUS COVER COMPONENTS (2)

No.	Parts No.	Parts name	Remarks	Level	Cons	Qty
1	70002062	SIDE COVER				1
2	70002063	SIDE COVER GASKET				1
3	SM4040855SP	SCREW				3
4	SM1040801SC	SCREW M4X0.7 L=8				1
5	70002775	UPPER COVER				1
6	13200605	UPPER COVER GASKET				1
7	SM4051255SP	SCREW M5 L=12.				5
8	22924708	OIL SIGHT WINDOW				1
9	13170006	RUBBER RING				1
10	13104500	OIL DRAIN SCREW				1
11	13170204	RUBBER RING				1
12	13201009	COOLING FAN PLATE				1
13	SM1040801SC	SCREW M4X0.7 L=8				1
14	SM4040855SP	SCREW				2
15	13201454	BELT COVER ASM.	VARIOUS NOS.FOR DESTINATIONS			1
16	13201405	BELT COVER		*		1
17	CM300200001	ATTENTION SEAL		*		1
18	SS4151215SP	SCREW 15/64-28 L=12				3
19	13102553	OIL RESERVOIR ASM.				1
20	13102504	OIL RESERVOIR		*		1
21	13170105	RUBBER RING		*		1
22	13171004	DRAIN SCREW		*		1
23	13102603	OIL RESERVOIR GASKET				1
24	13103908	SCREW STUD				4
25	WP0751576SD	WASHER 7.5X19X1.5				4
26	WS0822010KP	SPRING WASHER 8.2X15X2				4
27	NS6680410SP	NUT 9/32-28				4
28	13201108	SAFETY PLATE BRACKET				1
29	13104807	SAFETY PLATE BRACKET COLLAR				1
30	WZ0850302K0	WAVED WASHER 8.5X12.5X0.3				1
31	SS5110710SP	SCREW 11/64-40 L=7				1
32	13201306	SAFETY PLATE	FOR MO-6716DA			1
33	13201207	SAFETY PLATE	FOR MO-6704DA,MO-6714DA			1
34	SS7090611SL	SCREW 9/64-40 L=6.1				2
35	13204003	SAFETY PLATE BUSH				1
36	CM301300001	SAFETY LABEL				1
37	22901805	GROUND MARK				1
38	13102900	THREAD GUIDE LARGE				2
39	10753309	WINDOW PLATE RUBBER PLUG				1
40	SK3412001SE	WOOD SCREW D=4.1 L=20				2
41	TA1871602R0	RUBBER PLUG	FOR MO-6704DA,MO-6714DA			1
42	TA2050805R0	RUBBER PLUG				1
43	13160700	BELT COVER (B)				1
44	40037392	BELT COVER C	VARIOUS NOS.FOR DESTINATIONS			1
45	40040065	VIBRATION PROOF RUBBER	VARIOUS NOS.FOR DESTINATIONS			1
46	CM600100101	WEEE MARK LABEL S	FOR JE,TURKEY			1

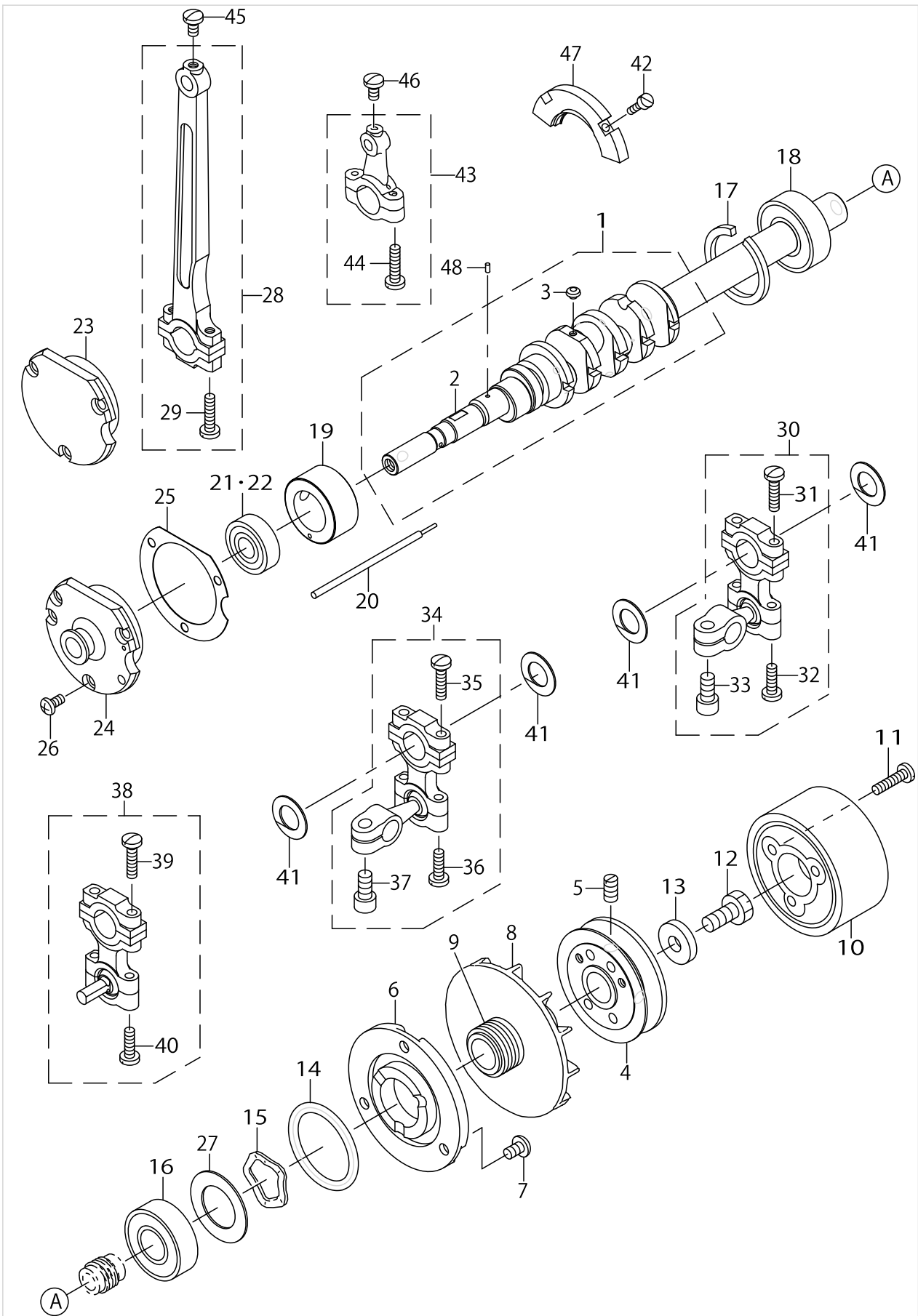
MISCELLANEOUS COVER COMPONENTS (2)



MISCELLANEOUS COVER COMPONENTS (2)

No.	Parts No.	Parts name	Remarks	Level	Cons	Qty
47	TA1450404R0	RUBBER PLUG D=14.5 L=4				1

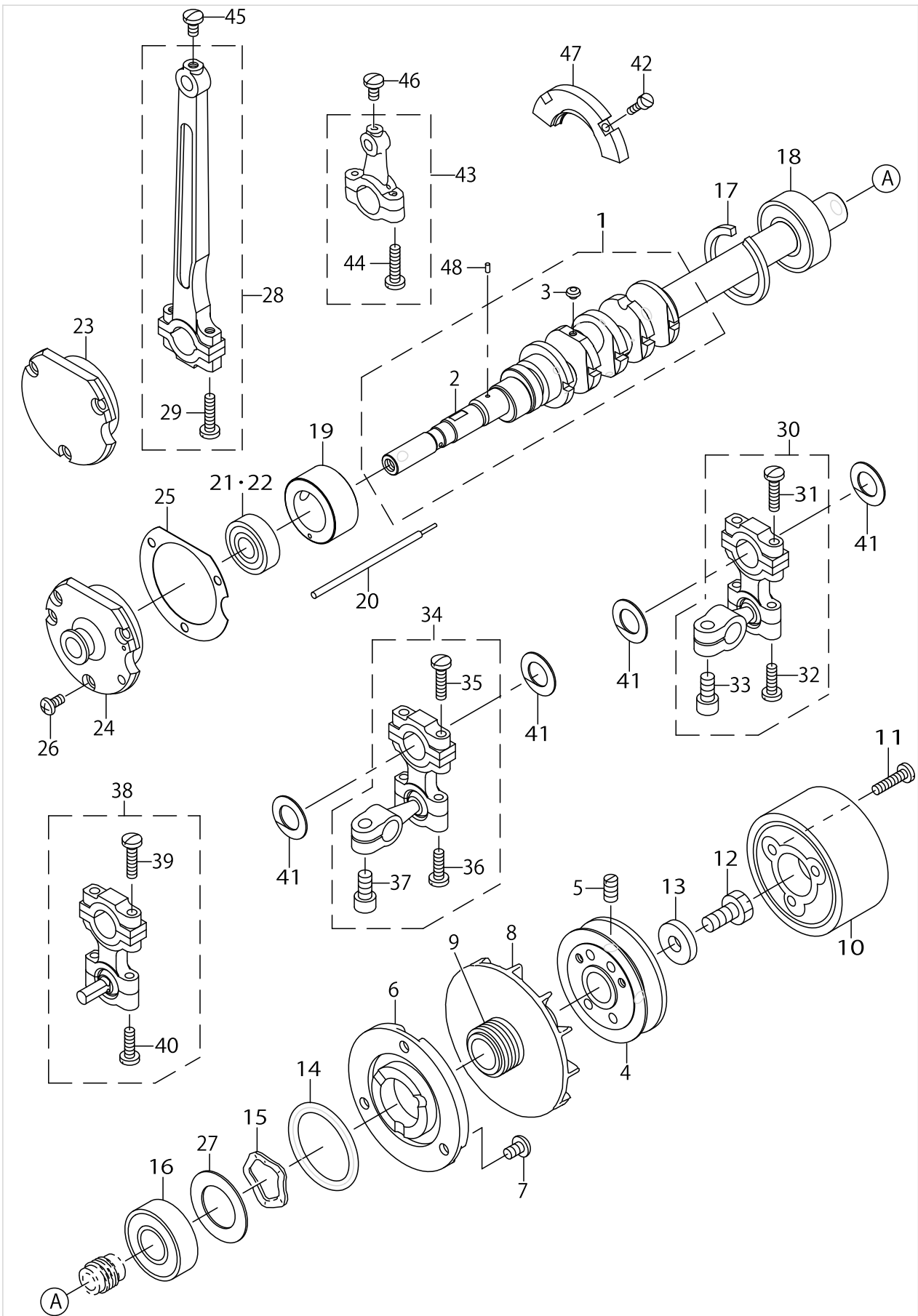
CRANKSHAFT COMPONENTS



CRANKSHAFT COMPONENTS

No.	Parts No.	Parts name	Remarks	Level	Cons	Qty
1	40023235	MAIN SHAFT ASM.				1
2	40023234	MAIN SHAFT (300)		*		1
3	SS5080212TP	SCREW 1/8-44 L=2		*		5
4	13107602	HANDWHEE (A)				1
5	SS8151150TP	SCREW 15/64-28 L=10.5				2
6	13107800	THRUST COLLAR				1
7	SM4050855SP	SCREW M5 L=8				3
8	13108402	COOLING FAN				1
9	13108501	CRANKSHFT OIL SHIELD				1
10	13107701	HANDWHEEL				1
11	SS7111810TP	SCREW 11/64-40 L=18				3
12	SS9681610TP	SCREW 9/32-28 L=16				1
13	WP0764016SP	WASHER				1
14	13170303	RUBBER RING				1
15	WZ2640310KH	WAVED WASHER 26.4X33.9X3.5				1
16	B1211804000	BALL BEARING B				1
17	B1212704000	BEARING RETAINER				1
18	B1211804000	BALL BEARING B				1
19	13205406	CRANKSHAFT BUSHING C				1
20	13104906	OIL ADJUSTING BAR				1
21	B1215804000	BALL BEARING D	FOR MO-6704DA,MO-6714DA			1
22	SB110000300	BALL BEARING	FOR MO-6716DA			1
23	13108006	CRANKSHAFT BUSHING D	FOR MO-6704DA,MO-6714DA			1
24	13108105	CRANKSHAFT BUSHING D	FOR MO-6716DA			1
25	13108204	CRANKSHAFT BUSHING GASKET				1
26	SM4040855SP	SCREW				3
27	13108303	BEARING HOLDING PLATE				1
28	12109153	CONNECTING ROD ASM.				1
29	SS7111810TP	SCREW 11/64-40 L=18		*		2
30	12122362	UPPER LOOPER ROD ASM.				1
31	SS7111810TP	SCREW 11/64-40 L=18		*		2
32	SS7111410TP	SCREW 11/64-40 L=14		*		2
33	SM6061202TP	SCREW M6 L=12		*		1
34	12123360	LOWER LOOPER ROD ASM. A	FOR MO-6704DA,MO-6714DA			1
35	SS7111810TP	SCREW 11/64-40 L=18		*		2
36	SS7111410TP	SCREW 11/64-40 L=14		*		2
37	SM6061202TP	SCREW M6 L=12		*		1
38	12120150	LOWER LOOPER ROD ASM. B	FOR MO-6716DA			1
39	SS7111810TP	SCREW 11/64-40 L=18		*		2
40	SS7111410TP	SCREW 11/64-40 L=14		*		2
41	40017824	LOOPER LOD STOPPER				4
42	SS6081210TP	SCREW 1/8-44 L=12				2
43	12132155	KNIFE DRIVING ROD ASM.				1
44	SS7111810TP	SCREW 11/64-40 L=18		*		2
45	SS7110840SP	SCREW 11/64-40 L=7.8				1
46	SS7110840SP	SCREW 11/64-40 L=7.8				1
47	40017714	BALANCER				1

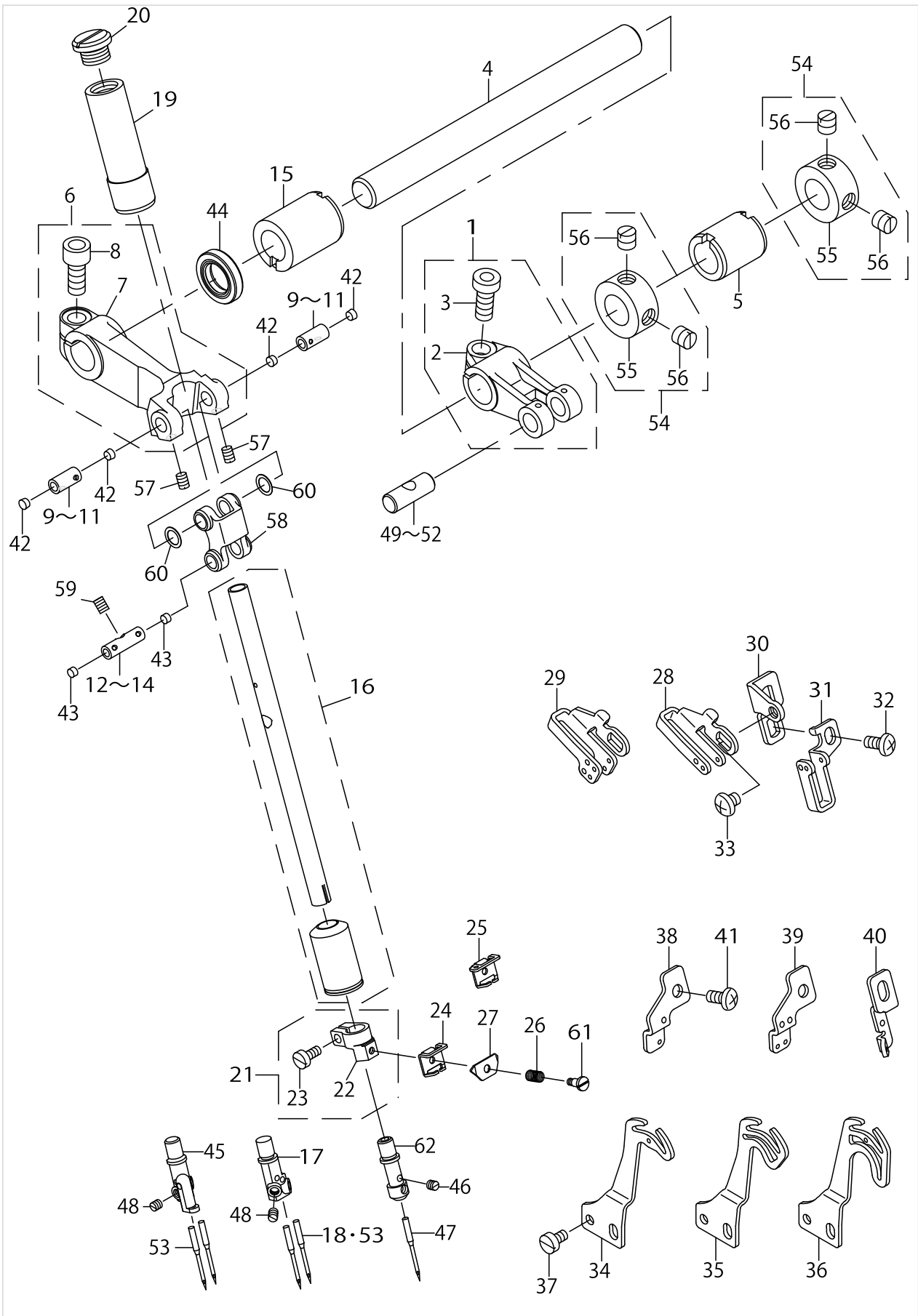
CRANKSHAFT COMPONENTS



CRANKSHAFT COMPONENTS

No.	Parts No.	Parts name	Remarks	Level	Cons	Qty
48	40035711	OIL WICK				1

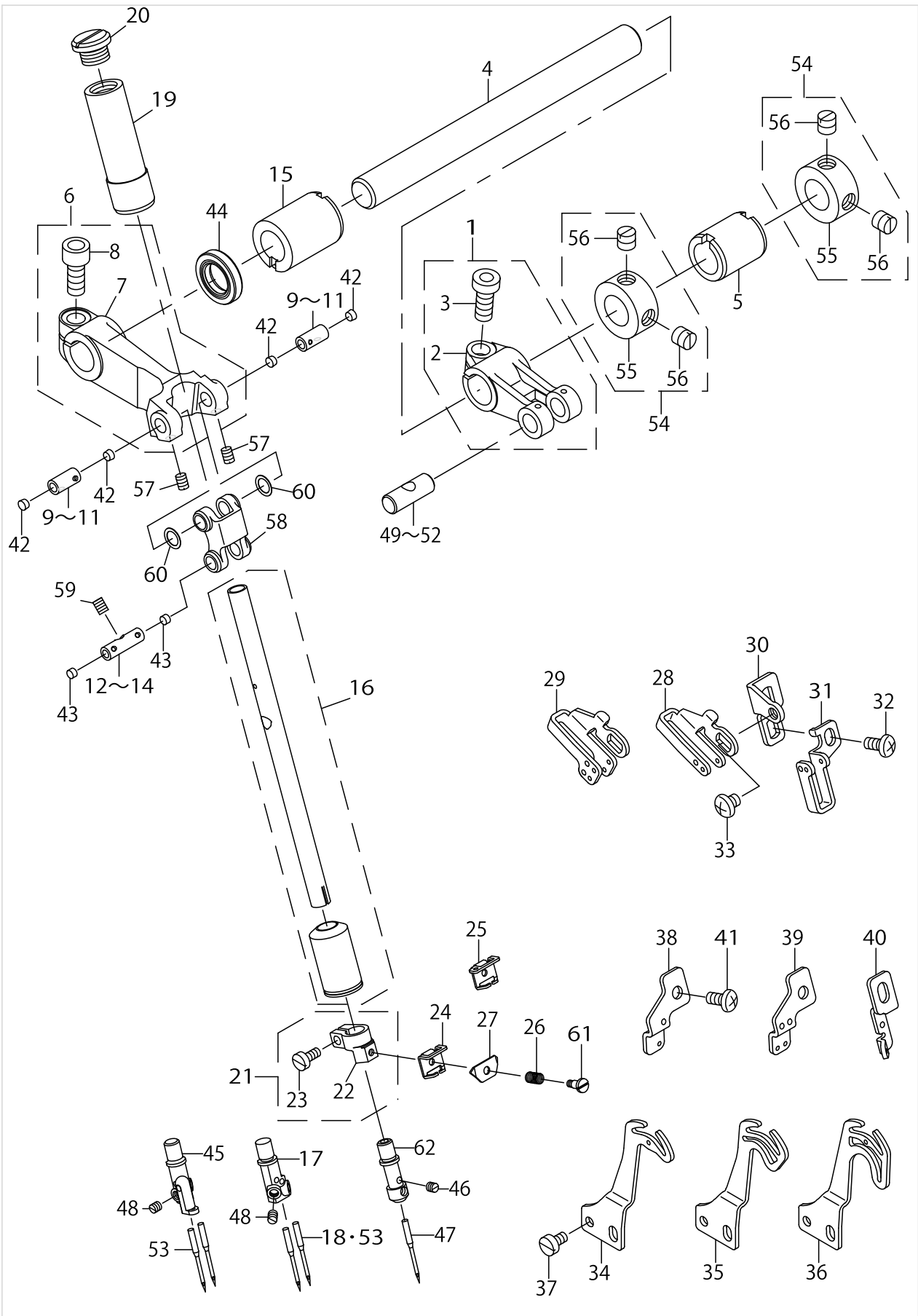
NEEDLE DRIVING SHAFT COMPONENTS



NEEDLE DRIVING SHAFT COMPONENTS

No.	Parts No.	Parts name	Remarks	Level	Cons	Qty
1	13110556	FEED FORKED CRANK ASM.				1
2	13110507	NEEDLE DRIVING BRANCH CRANK		*		1
3	SM6061402TP	SCREW M6 L=14		*		1
4	40004558	NEEDLE DRIVING SHAFT				1
5	13110101	BUSHING REAR				1
6	13209853	NEEDLE DRIVING ARM ASM.				1
7	13209804	NEEDLE DRIVING ARM		*		1
8	SM6061402TP	SCREW M6 L=14		*		1
9	40004559	NEEDLE DRIVING ARM PIN A	SELECTIVE PARTS			2
10	40004561	NEEDLE DRIVING ARM PIN B	SELECTIVE PARTS			2
11	40004563	NEEDLE DRIVING ARM PIN C	SELECTIVE PARTS			2
12	40004565	NEEDLE DRIVING PIN A	SELECTIVE PARTS			1
13	40004567	NEEDLE DRIVING PIN B	SELECTIVE PARTS			1
14	40004569	NEEDLE DRIVING PIN C	SELECTIVE PARTS			1
15	40004572	FRONT METAL				1
16	40032558	NEEDLE ROD (B) ASM.				1
17	13175203	NEEDLE CLAMP	FOR MO-6714DA			1
18	MDC270B0900	NEEDLE DCX27 #9	FOR MO-6714DA-BE6-207			2
19	40032552	NEEDLE ROD BUSHING UPPER				1
20	13207808	NEEDLE ROD BUSHING CAP SCREW				1
21	13110259	NEEDLE CLAMP HOLDER ASM.				1
22	13110200	NEEDLE CLAMP HOLDER		*		1
23	SS6080720SP	SCREW 1/8-44 L=7		*		1
24	13110705	NEEDLE THREAD PRESSER GUIDE A	FOR MO-6704DA,MO-6714DA			1
25	13110804	NEEDLE THREAD PRESSER GUIDE B	FOR MO-6716DA			1
26	13110903	NEEDLE THREAD PRESSER SPRING				1
27	13111000	NEEDLE THREAD PRESSER PLATE A				1
28	13208806	NEEDLE THREAD GUIDE	FOR MO-6704DA,MO-6716DA			1
29	13208905	THREAD GUIDE 2-NEEDLE	FOR MO-6714DA			1
30	13208707	NEEDLE THREAD GUIDE BASE				1
31	13111109	THREAD GUIDE CHAIN LOOPER	FOR MO-6716DA			1
32	SM4040855SP	SCREW				2
33	SS4110515SP	SCREW 11/64-40 L=5				1
34	13111208	NEEDLE THREAD TAKE-UP LEVER	FOR MO-6704DA			1
35	13111307	TAKE-UP LEVER 2-NEEDLE	FOR MO-6714DA			1
36	13111406	TAKE-UP LEVER CHAIN LOOP	FOR MO-6716DA			1
37	SS6090670TP	SCREW 9/64-40 L=6				2
38	13111505	NEEDLE THREAD BALANCE GUIDE	FOR MO-6704DA,MO-6716DA			1
39	13111604	TAKE-UP LEVER GUIDE 2-NEEDLE	FOR MO-6714DA			1
40	13111703	TAKE-UP LEVER GUIDE CHAIN LOOP	FOR MO-6716DA			1
41	SM4040855SP	SCREW				1
42	40004580	NEEDLE DRIVING ARM PIN PLUG				4
43	11517307	PLUG				2
44	40032545	OIL SEAL				1
45	12257002	CHAIN LOOPER NEEDLE CLAMP DEA	FOR MO-6716DA			1
46	SS8080310TP	SCREW 1/8-44 L=2.8	FOR MO-6704DA			1
47	MDC270B1100	NEEDLE DCX27 #11	FOR MO-6704DA			1

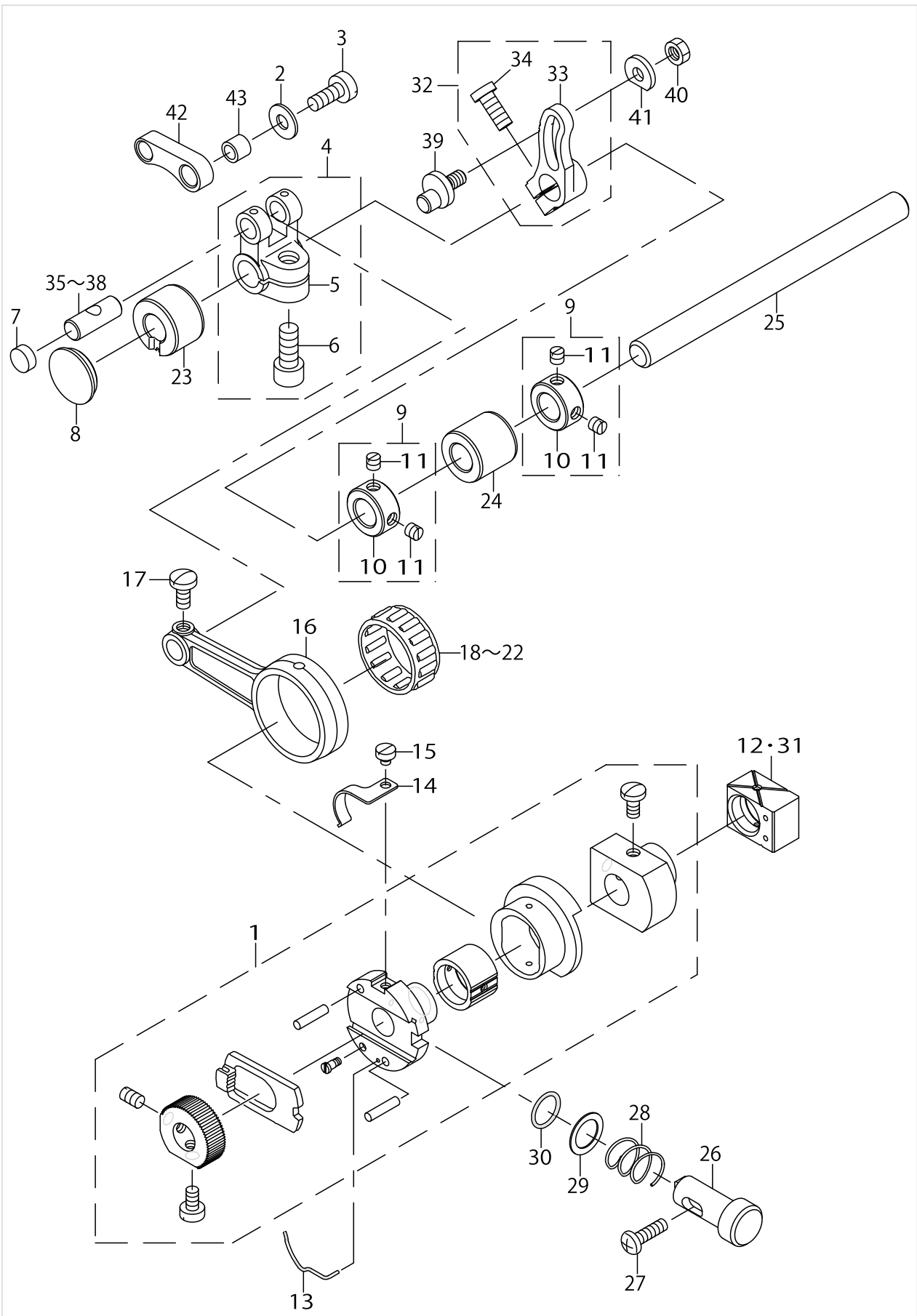
NEEDLE DRIVING SHAFT COMPONENTS



NEEDLE DRIVING SHAFT COMPONENTS

No.	Parts No.	Parts name	Remarks	Level	Cons	Qty
48	SS8080310TP	SCREW 1/8-44 L=2.8	FOR MO-6714DA,MO-6716DA			2
49	13122007	FEED BRANCH CRANK PIN A	SELECTIVE PARTS			1
50	13122106	FEED BRANCH CRANK PIN B	SELECTIVE PARTS			1
51	13122205	FEED BRANCH CRANK PIN C	SELECTIVE PARTS			1
52	13122304	FEED BRANCH CRANK PIN D	SELECTIVE PARTS			1
53	MDC270B1100	NEEDLE DCX27 #11	FOR MO-6714DA,MO-6716DA			2
54	13172754	THRUST COLLAR ASM.				2
55	13172705	THRUST COLLAR		*		1
56	SS8660610TP	SCREW 1/4-40 L=6		*		2
57	SS8090530TP	SCREW 9/64-40 L=5.0				2
58	70002051	NEEDLE BAR DRIVE LINK				1
59	SS8090530TP	SCREW 9/64-40 L=5.0				1
60	13208103	NEEDLE DRIVING LINK WASHER				2
61	SD0280401SL	HINGE SCREW D=2.8 H=4				1
62	13175005	NEEDLE CLAMP 1-NEEDLE	FOR MO-6704DA			1

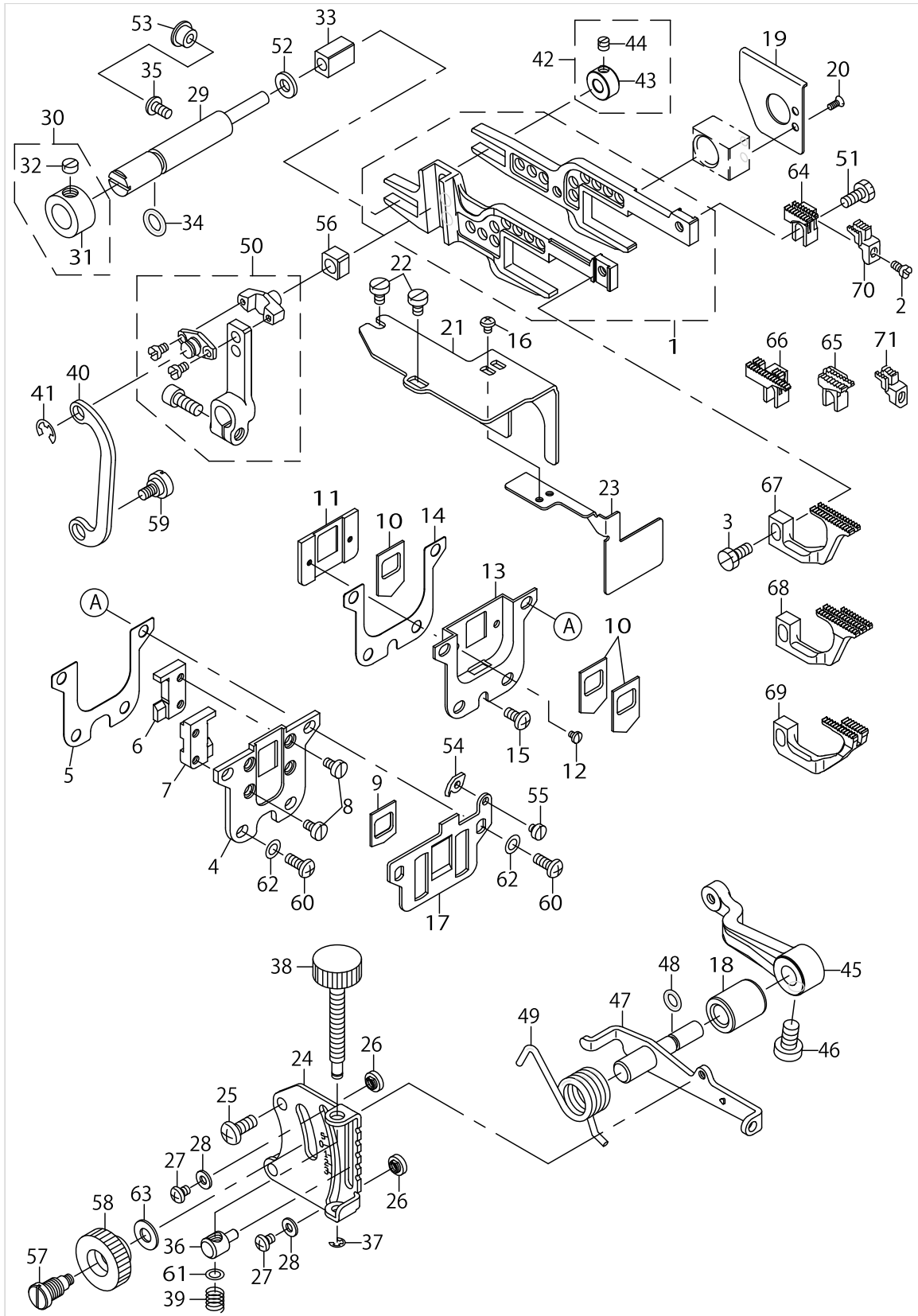
FEED MECHANISM COMPONENTS (1)



FEED MECHANISM COMPONENTS (1)

No.	Parts No.	Parts name	Remarks	Level	Cons	Qty
1	13118054	FEED ECCENTRIC BODY ASM.				1
2	13120605	WASHER				1
3	SS6121220TP	SCREW 3/16-28 L=11.5				1
4	13122452	FEED BRANCH CRANK ASM.				1
5	13122403	FEED BRANCH CRANK		*		1
6	SM6061402TP	SCREW M6 L=14		*		1
7	TA1030402R0	RUBBER PLUG D=10.3 L=4				1
8	TA2050416R0	RUBBER PLUG				1
9	13172556	FEED SHAFT THRUST COLLAR ASM.				2
10	13172507	FEED SHAFT THRUST COLLAR		*		1
11	SS8110410TP	SCREW 11/64-40 L=3.5		*		2
12	13217807	SLIDE BLOCK A	SELECTIVE PARTS			1
13	13122502	RATCHET PAWL SPRING				1
14	13119300	RATCHET GEAR SPRING				1
15	SS6080320SP	SCREW 1/8-44 L=2.5				1
16	13118708	FEED CRANK ROD				1
17	SS7110910TP	SCREW 11/64-40 L=8.5				1
18	12116604	NEEDLE BEARING	SELECTIVE PARTS			1
19	12116703	NEEDLE BEARING B	SELECTIVE PARTS			1
20	12116802	NEEDLE BEARING C	SELECTIVE PARTS			1
21	12116901	NEEDLE BEARING D	SELECTIVE PARTS			1
22	12117008	NEEDLE BEARING E	SELECTIVE PARTS			1
23	13119409	FEED SHAFT METAL FRONT				1
24	13119508	FEED SHAFT METAL REAR				1
25	13119607	FEED SHAFT				1
26	13216809	PUSH BUTTON SHAFT				1
27	SM4041455SN	SCREW M4 L=14				1
28	13216601	PUSH BUTTON SPRING				1
29	13216700	PUSH BUTTON SHAFT WASHER				1
30	13244108	RUBBER RING				1
31	13217906	SLIDE BLOCK B	SELECTIVE PARTS			1
32	13119953	MAIN FEED ARM ASM.				1
33	13119904	MAIN FEED ARM		*		1
34	SM6051202TP	SCREW M5X0.8 L=12		*		1
35	13122007	CRANK PIN A	SELECTIVE PARTS			1
36	13122106	CRANK PIN B	SELECTIVE PARTS			1
37	13122205	CRANK PIN C	SELECTIVE PARTS			1
38	13122304	CRANK PIN D	SELECTIVE PARTS			1
39	13119706	MAIN FEED ARM PIN				1
40	NS6620320SP	NUT 3/16-32				1
41	13120001	WASHER B				1
42	13119805	MAIN FEED LINK				1
43	B1620804000	PIN COLLAR				1

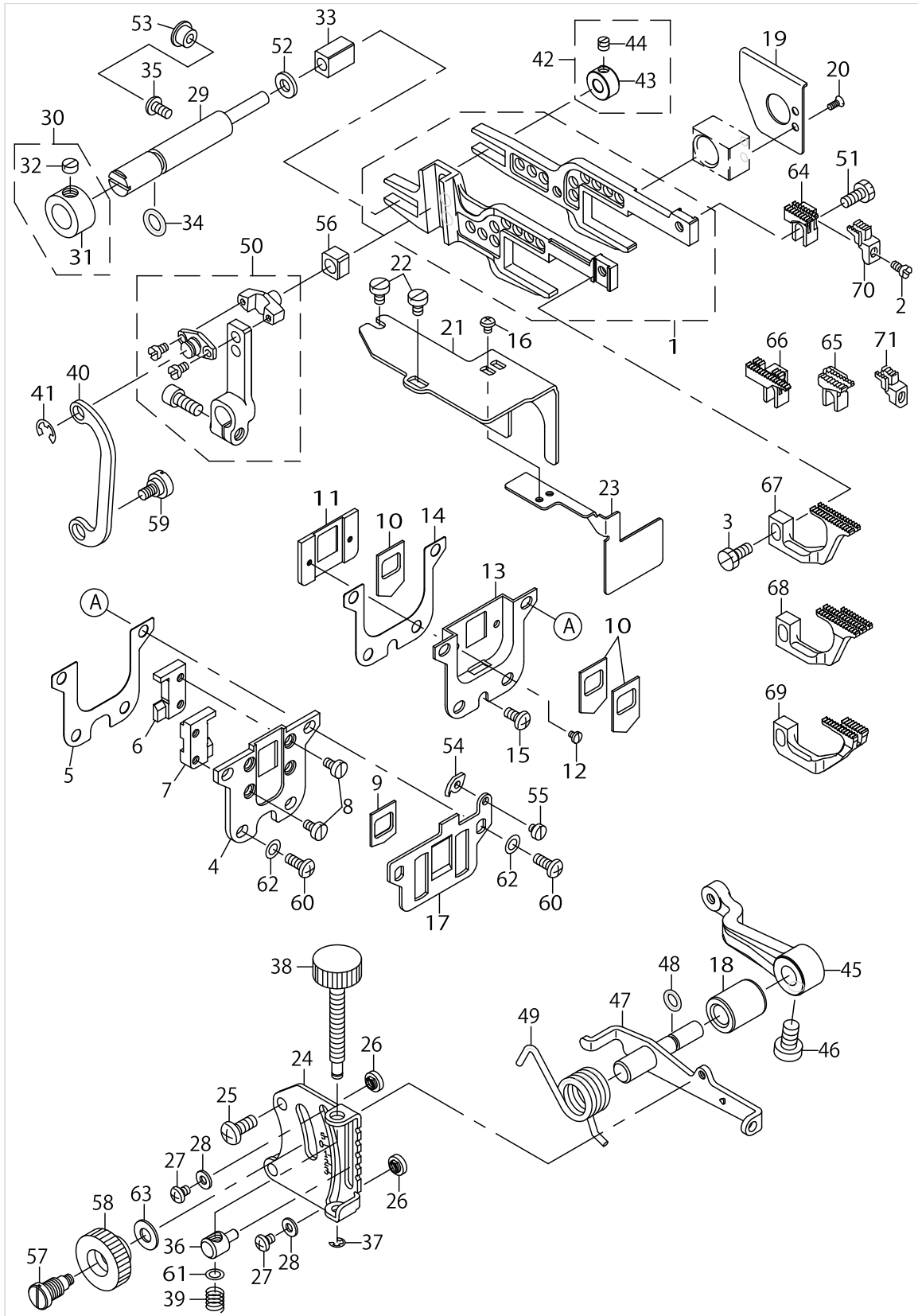
FEED MECHANISM COMPONENTS (2)



FEED MECHANISM COMPONENTS (2)

No.	Parts No.	Parts name	Remarks	Level	Cons	Qty
1	13215157	FEED ROCKER ASM.				1
2	SS4080620TP	SCREW 1/8-44 L=6				1
3	SS9111010SP	SCREW 11/64-40 L=9.5				1
4	13215306	RUBBER CASE				1
5	13215405	RUBBER CASE GASKET				1
6	13215504	FEED BAR SUPPORT RIGHT				1
7	13215603	FEED BAR SUPPORT LEFT				1
8	SS6090620TP	SCREW				4
9	12118303	DUST-PROOF RUBBER				1
10	12118204	OIL SHIELD RUBBER				3
11	13215702	RUBBER HOLDING PLATE				1
12	SS7060310SP	SCREW 3/32-56 L=3				2
13	13215900	OIL SHIELD CASE				1
14	13216007	OIL SHIELD CASE GASKET				1
15	SM4040855SP	SCREW				1
16	SM4030455SP	SCREW				2
17	13215801	THROAT PLATE SUPPORT				1
18	13122700	ADJUSTING SHAFT METAL				1
19	13216106	OIL SHIELD PLATE				1
20	SS1060610SP	SCREW 3/32-56 L=5.5				2
21	13216205	FEED CAM OIL SHIELD PLATE				1
22	SM6040600SP	SCREW M4 L=6				2
23	13216304	OIL SHIELD PLATE				1
24	13122809	DIFFERENTIAL FEED GRADUATION				1
25	SM4051255SP	SCREW M5 L=12				2
26	13121405	ADJUSTING STOPPER				2
27	SS4090515SP	SCREW 9/64-40 L=5				2
28	WP0371016SD	WASHER 3.7X8X1				2
29	13120902	SUPPORT SHAFT				1
30	13121058	HRUST COLLAR ASM.				1
31	13121009	HRUST COLLAR		*		1
32	SS8660330SP	SCREW 1/4-40 L=3.0		*		1
33	13120803	SLIDE BLOCK				1
34	13170204	RUBBER RING				1
35	SM4040855SP	SCREW				1
36	13217708	DIFFERENTIAL FEED BLOCK				1
37	RE0300000K0	E-RING 3				1
38	13213012	ADJUSTING SCREW				1
39	13123302	DIFFERENTIAL FEED SCREW SPRING				1
40	13121306	ADJUSTING LINK				1
41	RE0500000K0	E-RING 5				1
42	13121256	SUPPORT SHAFT COLLAR ASM.				1
43	13121207	SUPPORT SHAFT COLLAR		*		1
44	SS8110410TP	SCREW 11/64-40 L=3.5		*		1
45	13121900	DIFFERENTIAL FEED ROCKER				1
46	SS6661110SP	SCREW 1/4-40 L=11				1
47	13217351	ROCKER SHAFT ASM.				1

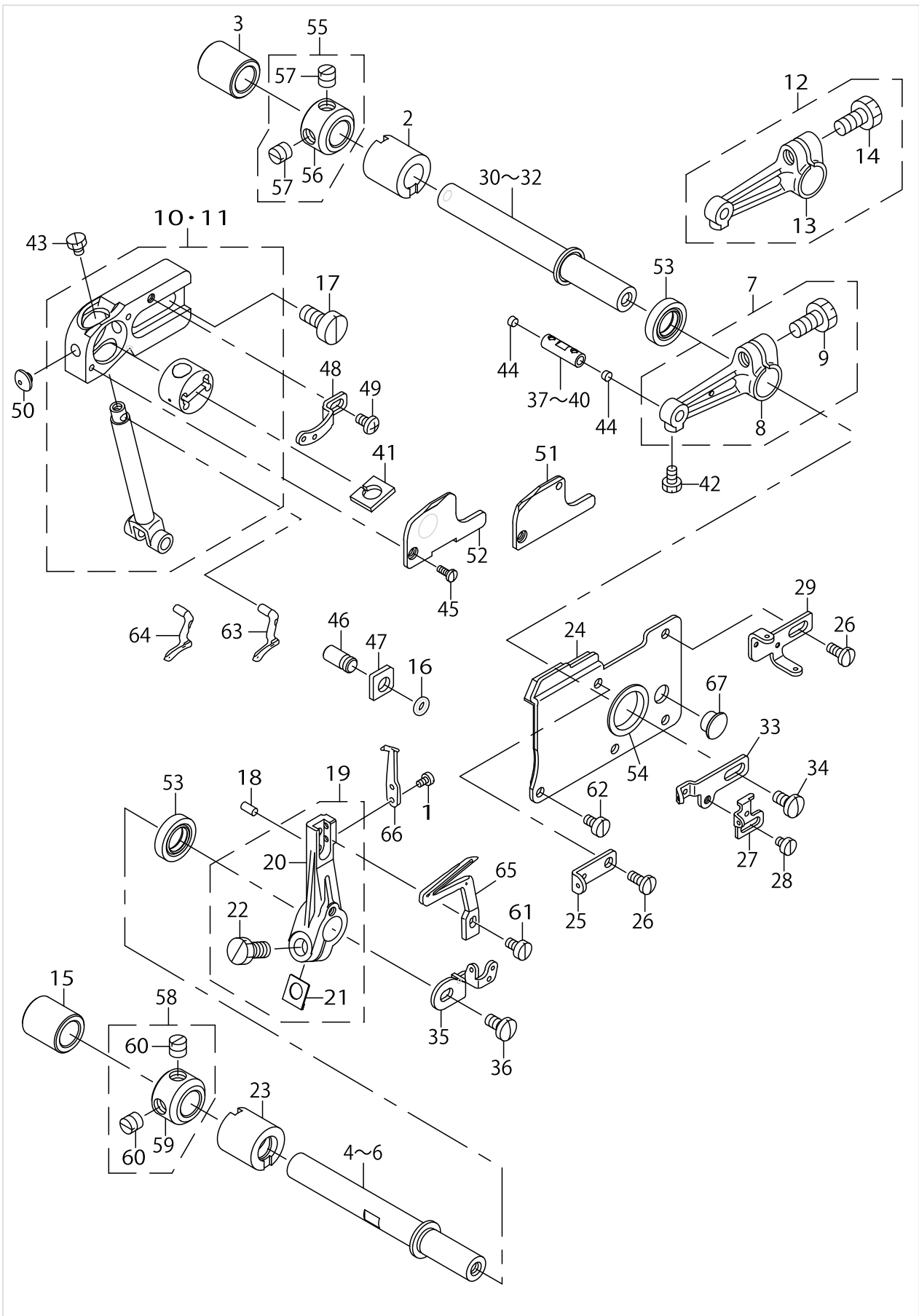
FEED MECHANISM COMPONENTS (2)



FEED MECHANISM COMPONENTS (2)

No.	Parts No.	Parts name	Remarks	Level	Cons	Qty
48	13170501	RUBBER RING				1
49	13121603	ADJUSTING LEVER SPRING				1
50	13218052	DIFFERENTIAL FEED ARM ASM.				1
51	SS9111050SP	SCREW 11/64-40 L=9.5				1
52	13121108	WASHER				1
53	TA0800504R0	PLUG D=8 L=4.5				1
54	13200902	FEED MECHANISM COVER PRESSER				1
55	SS6080340SP	SCREW 1/8-44 L=2.9				1
56	13218102	SLIDE BLOCK				1
57	13217401	DIFFERENTIAL FEED HINGE SCREW				1
58	13217500	DIFFERENTIAL FEED LOCK NUT				1
59	SD0720271SP	HINGE SCREW D=7.2 H=2.7				1
60	SM4041055SP	SCREW M4 L=10				4
61	WP0460556SD	WASHER 4.6X7.5X0.5				1
62	WP0480856SP	WASHER 4.8X8.4X0.8				4
63	WP0621016SD	WASHER 6.2X13X1				1
64	13191606	MAIN FEED DOG	FOR MO-6704DA			1
65	13192000	MAIN FEED DOG	FOR MO-6714DA			1
66	13192406	MAIN FEED DOG	FOR MO-6716DA			1
67	13192802	DIFFERENTIAL FEED DOG	FOR MO-6704DA			1
68	13193206	DIFFERENTIAL FEED DOG	FOR MO-6714DA			1
69	13193602	DIFFERENTIAL FEED DOG	FOR MO-6716DA			1
70	13191309	AUXILIARY FEED DOG	FOR MO-6704DA,MO-6714DA			1
71	13191408	AUXILIARY FEED DOG	FOR MO-6716DA			1

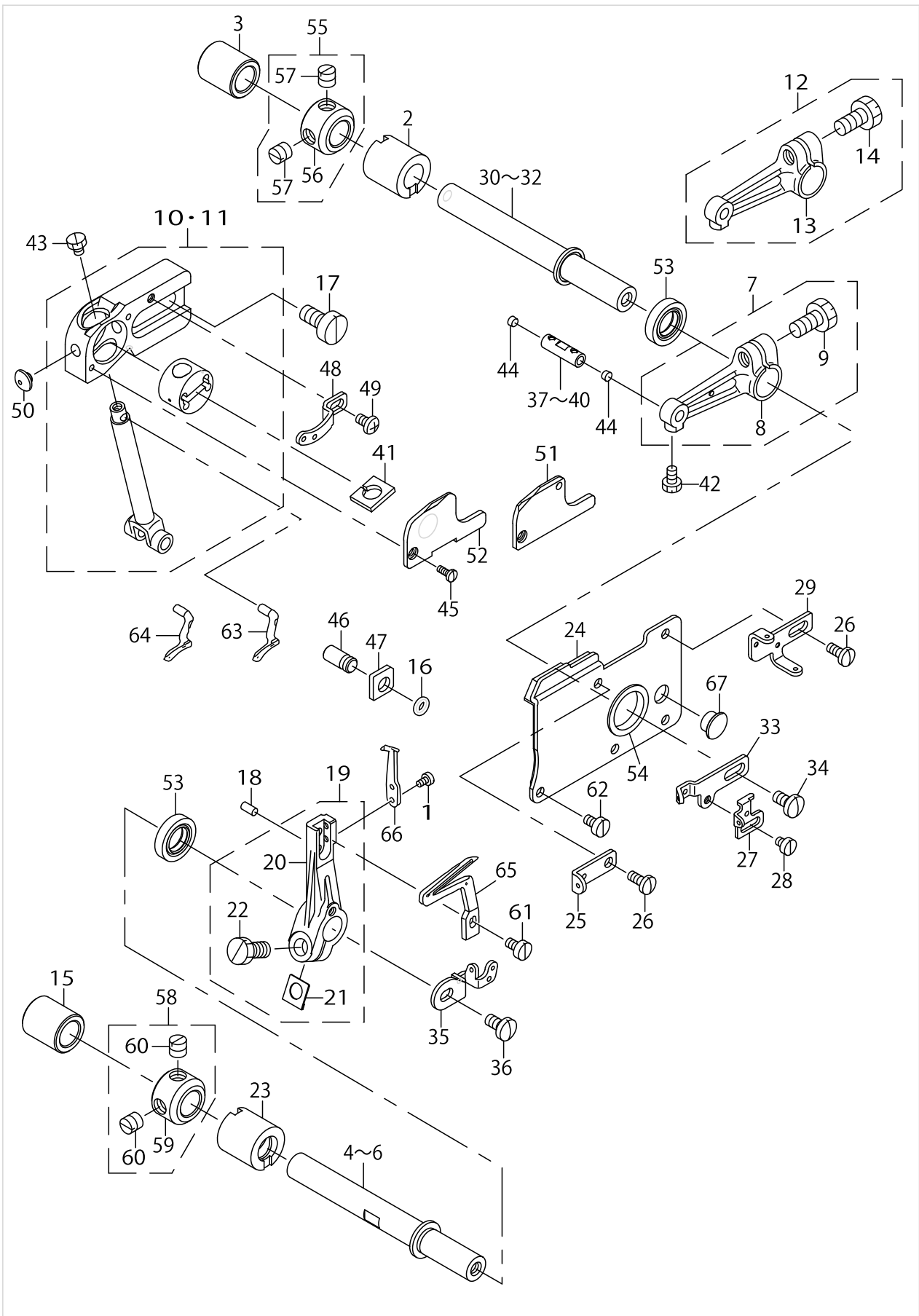
UPPER & LOWER LOOPER COMPONENTS



UPPER & LOWER LOOPER COMPONENTS

No.	Parts No.	Parts name	Remarks	Level	Cons	Qty
1	SS6060440TP	SCREW 3/32-56 L=3.5				2
2	40004696	UPPER LOOPER SHAFT FRONT METAL				1
3	13222708	LOOPER SHAFT REAR BUSHING				1
4	13221700	UPPER LOOPER SHAFT A	SELECTIVE PARTS			1
5	13221809	UPPER LOOPER GUIDE B	SELECTIVE PARTS			1
6	13221908	UPPER LOOPER SHAFT C	SELECTIVE PARTS			1
7	13131156	UPPER LOOPER ARM B ASM.	FOR MO-6714DA			1
8	13131107	UPPER LOOPER ARM B		*		1
9	SS9151210TP	SCREW 15/64-28 L=11.8		*		1
10	40093342	GUIDE SUPPORT A ASM.	FOR MO-6704DA,MO-6716DA			1
11	40093344	GUIDE SUPPORT B ASM.	FOR MO-6714DA			1
12	13131057	UPPER LOOPER ARM A ASM.	FOR MO-6704DA,MO-6716DA			1
13	13131008	UPPER LOOPER ARM A		*		1
14	SS9151210TP	SCREW 15/64-28 L=11.8		*		1
15	13222708	LOOPER SHAFT REAR BUSHING				1
16	13170600	RUBBER RING				1
17	SM6061200SP	SCREW				2
18	PS0300062KH	SPRING PIN 3X6				1
19	13132550	LOWER LOOPER SUPPORT ARM ASM.				1
20	13132501	LOWER LOOPER SUPPORT ARM		*		1
21	13129309	WASHER		*		1
22	SS9151210TP	SCREW 15/64-28 L=11.8		*		1
23	13222609	LOOPER SHAFT FRONT BUSHING				1
24	70002060	OIL SHIELD PLATE ASM.				1
25	12340600	UPPER LOOPER THREAD GUIDE				1
26	SS7090850SP	SCREW 9/64-40 L=8				2
27	12340709	LOWER LOOPER THREAD TAKE-UP				1
28	SS6080410SP	SCREW 1/8-44 L=4				1
29	40099082	LOOPER THREAD GUIDE				1
30	40004692	UPPER LOOPER SHAFT A	SELECTIVE PARTS			1
31	40004693	UPPER LOOPER SHAFT B	SELECTIVE PARTS			1
32	40004694	UPPER LOOPER SHAFT FRONT METAL	SELECTIVE PARTS			1
33	12340402	THREAD TAKE-UP,RIGHT				1
34	SS7110840SP	SCREW 11/64-40 L=7.8				1
35	13132907	LOOPER THREAD TAKE-UP, LEFT				1
36	SS7110840SP	SCREW 11/64-40 L=7.8				1
37	40004716	UPPER LOOPER HOLDER PIN A	SELECTIVE PARTS			1
38	40004718	UPPER LOOPER HOLDER PIN B	SELECTIVE PARTS			1
39	40004720	UPPER LOOPER HOLDER PIN C	SELECTIVE PARTS			1
40	40004722	UPPER LOOPER HOLDER PIN D	SELECTIVE PARTS			1
41	40004751	UPPER LOOPER GUIDE FELT				1
42	SS9090610TP	SCREW 9/64-40 L=5.5				1
43	SS9090410TP	SCREW				1
44	40004580	PLUG				2
45	SS7060610SP	SCREW 3/32-56 L= 5.5				2
46	13131800	GAUGE FIXING PIN				1
47	13132006	GAUGE				1

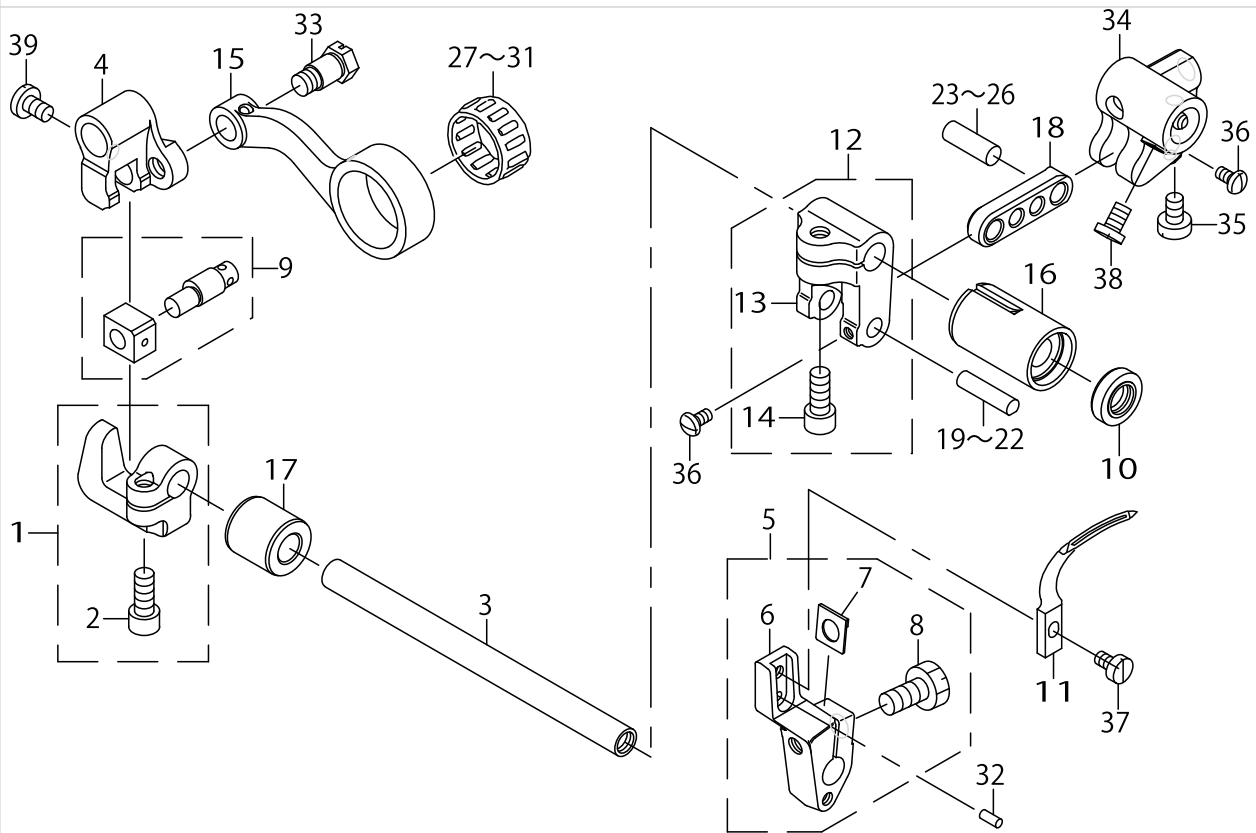
UPPER & LOWER LOOPER COMPONENTS



UPPER & LOWER LOOPER COMPONENTS

No.	Parts No.	Parts name	Remarks	Level	Cons	Qty
48	12340501	THREAD GUIDE, UPPER				1
49	SS4090615SP	SCREW 9/64-40 L=6				1
50	13204003	SAFETY PLATE BUSH				1
51	40004714	UPPER LOOPER GUIDE COVER B	FOR MO-6714DA			1
52	40004713	UPPER LOOPER GUIDE COVER A	FOR MO-6704DA,MO-6716DA			1
53	40032565	OIL SEAL				2
54	B2530704000	UPPER LOOPER SHAFT RUBBER RING				1
55	CS1031210SH	THRUST COLLAR ASM. D=10.32 W=12				1
56	CS1031219SH	THRUST COLLAR D=10.32 W=12		*		1
57	SS8660610TP	SCREW 1/4-40 L=6		*		2
58	CS1031210SH	THRUST COLLAR ASM. D=10.32 W=12	FOR MO-6704DA,MO-6714DA			1
59	CS1031219SH	THRUST COLLAR D=10.32 W=12		*		1
60	SS8660610TP	SCREW 1/4-40 L=6		*		2
61	SS6090620TP	SCREW				1
62	SS6090630TP	SCREW 9/64-40 L=6				3
63	11991908	UPPER LOOPER	FOR MO-6704DA,MO-6716DA			1
64	12176103	UPPER LOOPER	FOR MO-6714DA			1
65	11999307	LOWER LOOPER				1
66	11890001	TRAVELING NEEDLE GUARD				1
67	TA0800504R0	PLUG D=8 L=4.5				1

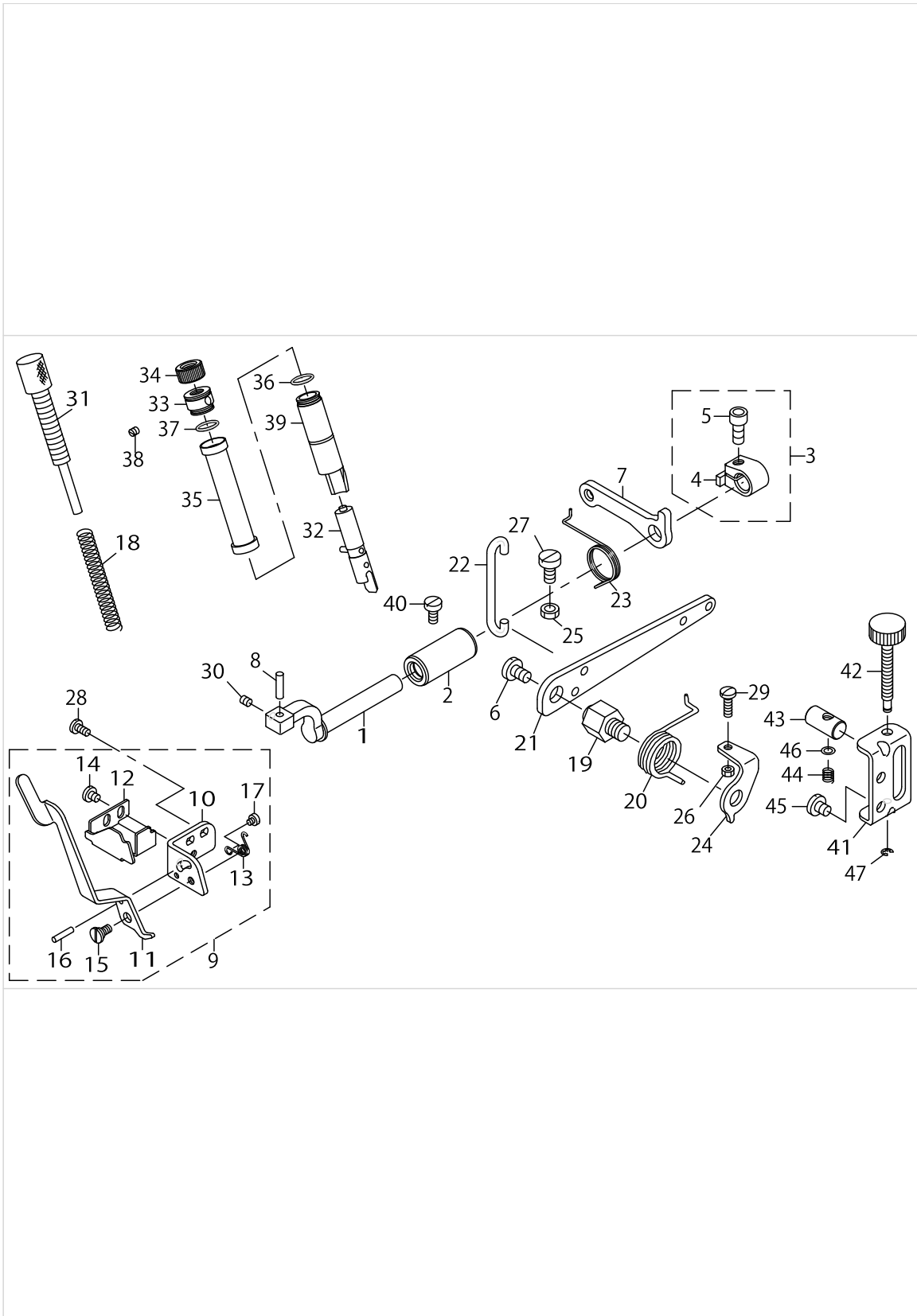
CHAIN LOOPER COMPONENTS (FOR MO-6716DA)



CHAIN LOOPER COMPONENTS (FOR MO-6716DA)

No.	Parts No.	Parts name	Remarks	Level	Cons	Qty
1	13129853	BRACKET ASM.				1
2	SM6051202TP	SCREW M5X0.8 L=12		*		1
3	13126909	CHAIN LOOPER SHAFT				1
4	13126008	FRONT-AND-REAR ARM				1
5	13129952	CHAIN LOOPER DRIVING ARM ASM.				1
6	13129903	CHAIN LOOPER DRIVING ARM		*		1
7	13129309	WASHER		*		1
8	SS9151210TP	SCREW 15/64-28 L=11.8		*		1
9	13126354	SLIDE BLOCK PIN ASM.				1
10	40010805	OIL SEAL RING				1
11	12120705	CHAIN LOOPER				1
12	13125950	CHAIN LOOPER DRIVING ARM ASM.				1
13	13125901	CHAIN LOOPER DRIVING ARM		*		1
14	SM6051202TP	SCREW M5X0.8 L=12		*		1
15	13220009	CHAIN LOOPER ROD				1
16	13128103	BUSHING FORNT				1
17	13127006	BUSHING REAR				1
18	13127105	CHAIN LOOPER SHAFT DRIV. LINK				1
19	13126503	PIN LONG A	SELECTIVE PARTS			1
20	13126602	PIN LONG B	SELECTIVE PARTS			1
21	13126701	PIN LONG C	SELECTIVE PARTS			1
22	13126800	PIN LONG D	SELECTIVE PARTS			1
23	13127204	PIN SHORT A	SELECTIVE PARTS			1
24	13127303	PIN SHORT B	SELECTIVE PARTS			1
25	13127402	PIN SHORT C	SELECTIVE PARTS			1
26	13127501	PIN SHORT D	SELECTIVE PARTS			1
27	B2119816A00	BEARING A	SELECTIVE PARTS			1
28	B2119816B00	BEARING B	SELECTIVE PARTS			1
29	B2119816C00	BEARING C	SELECTIVE PARTS			1
30	B2119816D00	BEARING D	SELECTIVE PARTS			1
31	B2119816E00	BEARING E	SELECTIVE PARTS			1
32	PS0250062KH	SPRING PIN 2.5X6				1
33	SD0720803TH	STEP-SCREW D=7.24 H=8				1
34	12121612	DRIVING BALL ARM BRACKET				1
35	SS6110710TP	SCREW 11/64-40 L=6.5				1
36	SS4080620TP	SCREW 1/8-44 L=6				2
37	SS6090620TP	SCREW				1
38	SS6110710TP	SCREW 11/64-40 L=6.5				2
39	SS7110720TP	SCREW 11/64-40 L=7				1

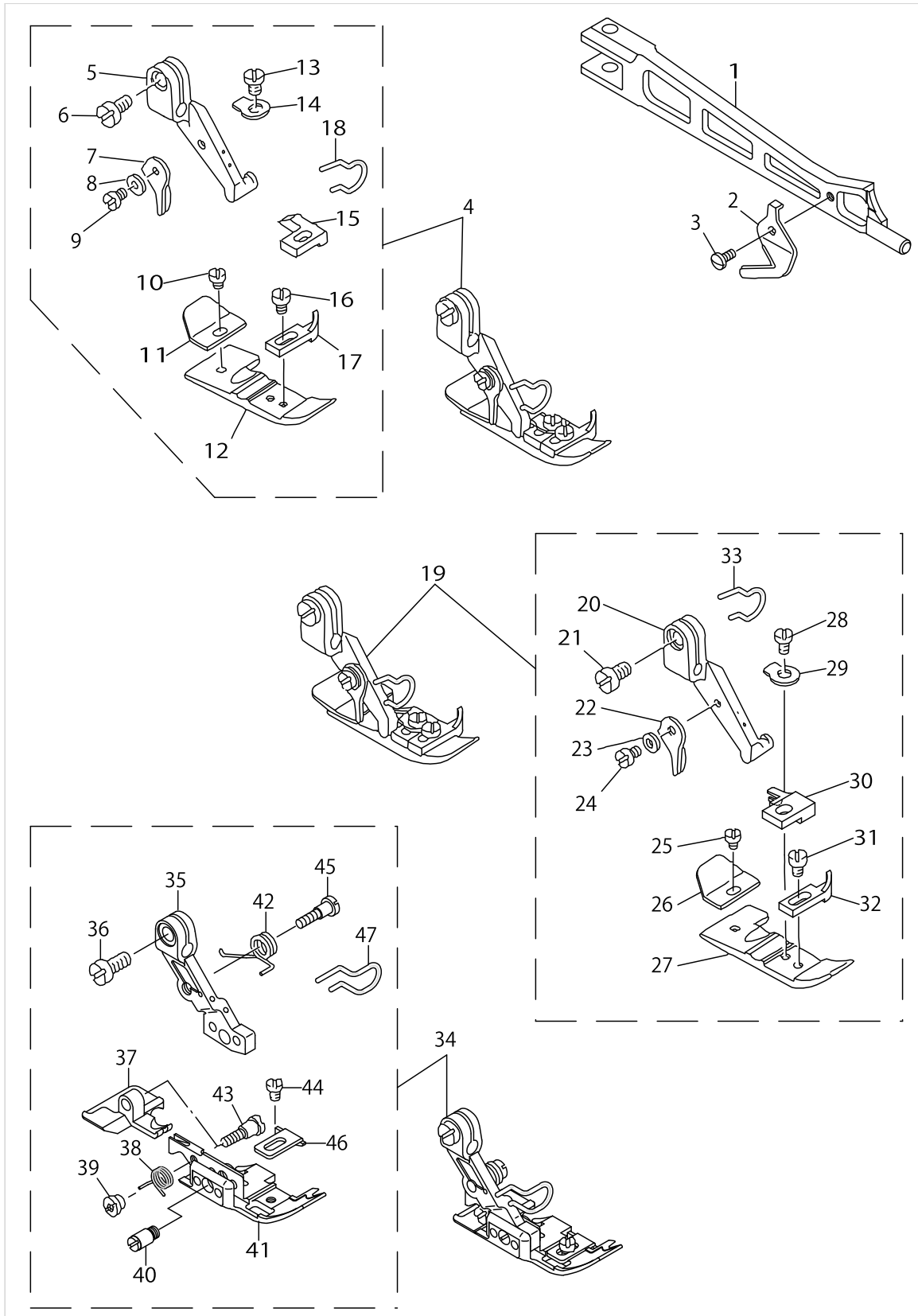
PRESSER FOOT COMPONENTS (1)



PRESSER FOOT COMPONENTS (1)

No.	Parts No.	Parts name	Remarks	Level	Cons	Qty
1	13115001	PRESSER FOOT SHAFT				1
2	13115100	PRESSER FOOT SHAFT BUSHING				1
3	40096182	THRUST ARM ASM.				1
4	40096181	THRUST ARM		*		1
5	SM6061402TP	SCREW M6 L=14		*		1
6	SS7161040SP	SCREW 1/4-24 L=9.5				1
7	13116801	LIFTING ARM				1
8	13115407	PRESSER FOOT ARM HINGE SHAFT				1
9	13115753	PRESSER LIFTING LEVER BASE ASM				1
10	13115803	PRESSER LIFTING LEVER BASE		*		1
11	13115902	PRESSER LIFTING LEVER		*		1
12	13116009	PRESSER ARM STOPPER		*		1
13	13116108	PRESSER FOOT LIFTING SPRING		*		1
14	SS7110510SP	SCREW 11/64-40 L=5		*		2
15	SD0640241SP	HINGE SCREW D=6.35 H=2.4		*		1
16	PS0300142KH	SPRING PIN 0.3X14		*		1
17	SS6080340SP	SCREW 1/8-44 L=2.9		*		1
18	13116207	PRESSER FOOT SPRING				1
19	13117007	PRESSER LIFTING LEVER SCREW				1
20	13116306	PRESSER LIFTING LEVER SPRING				1
21	13116900	PRESSER LIFTING LEVER				1
22	13116405	PRESSER LIFTING HOOK				1
23	13116504	LIFTING LEVER ARM SPRING				1
24	13116603	PRESSER LIFTING LEVER SPRING				1
25	NM6060003SC	NUT M6				1
26	NS6110420SP	NUT 11/64-40				1
27	SM6061200SP	SCREW M6 L=12				1
28	SS7110840SP	SCREW 11/64-40 L=7.8				2
29	SS7111410TP	SCREW 11/64-40 L=14				1
30	SM8050412TP	SCREW M5 L=4				1
31	40034897	PRESSER ADJUSTING SCREW				1
32	13115654	PRESSER BAR ASM.				1
33	12288700	PRESSER REGULATOR SCREW WASHER				1
34	13117106	PRESSER REGULATOR NUT				1
35	13212709	PRESSER BAR COVER				1
36	13170402	RUBBER RING				2
37	13170402	RUBBER RING				1
38	SM8040402TP	SCREW M4X0.7 L=4				1
39	13212501	PRESSER BAR BUSHING				1
40	SS6121020SP	SCREW 3/16-28 L=9.5				1
41	13212808	ADJUSTING BASE				1
42	13213012	ADJUSTING SCREW				1
43	13212915	ADJUSTING BLOCK				1
44	13123302	ADJUSTING SPRING				1
45	SS7150740SP	SCREW 15/64-28 L=7				2
46	WP0460556SD	WASHER 4.6X7.5X0.5				1
47	RE0300000K0	E-RING 3				1

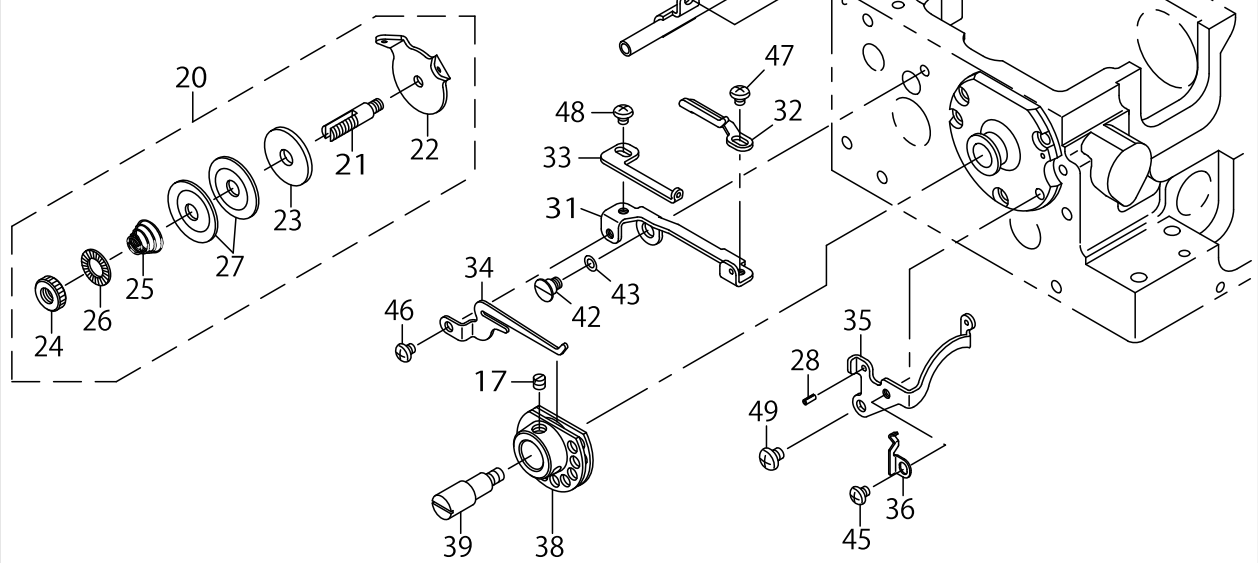
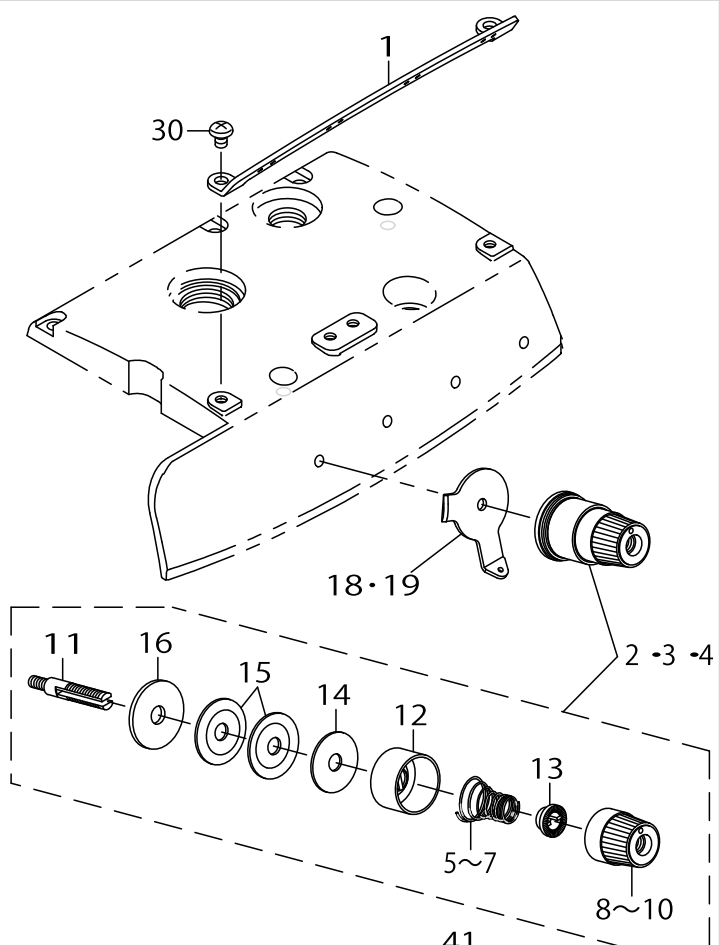
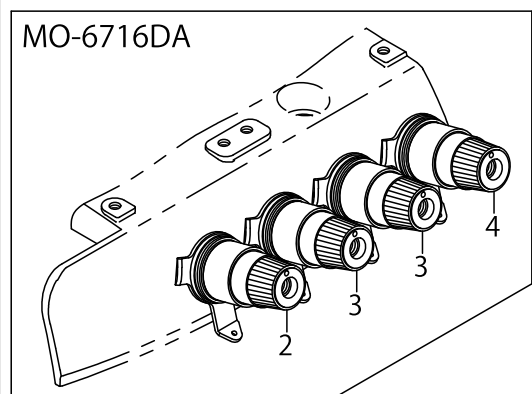
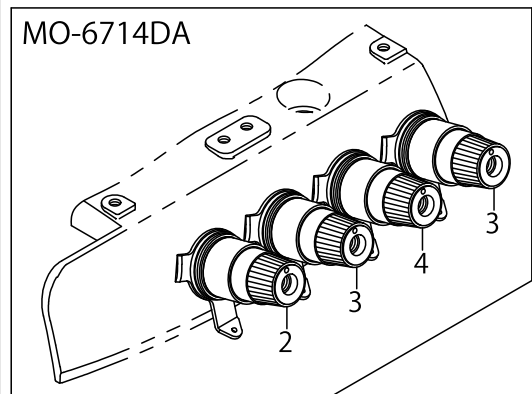
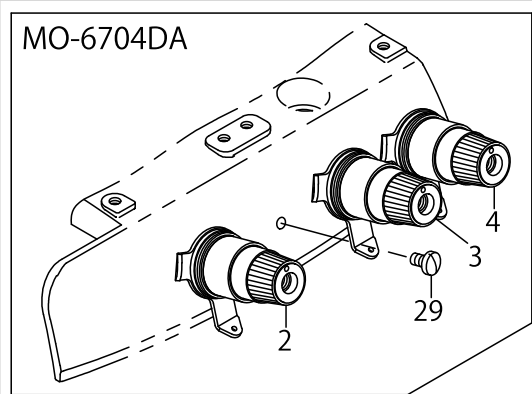
PRESSER FOOT COMPONENTS (2)



PRESSER FOOT COMPONENTS (2)

No.	Parts No.	Parts name	Remarks	Level	Cons	Qty
1	13117205	PRESSER FOOT ARM				1
2	13116702	THREAD TRIMMER				1
3	SS7060510SP	SCREW 3/32-56 L=4.8				1
4	11876166	PRESSER FOOT ASM.	FOR MO-6704DA			1
5	11872009	PRESSER FOOT HINGE		*		1
6	SS6090670TP	SCREW 9/64-40 L=6		*		1
7	B1530804000	STOPPER		*		1
8	WP0250516SD	WASHER 2.5X6X0.5		*		1
9	SS7060610SP	SCREW 3/32-56 L=5.5		*		1
10	SS6060210SP	SCREW 3/32-56 L=1.9		*		1
11	B1511814000	REAR PRESSER FOOT		*		1
12	B1507804C00	PRESSER FOOT		*		1
13	SS7080520SP	SCREW 1/8-44 L=4.9		*		1
14	B150880400B	SPRING		*		1
15	B1509804C00	STITCH TONGUE		*		1
16	SS6060440TP	SCREW 3/32-56 L=3.5		*		1
17	B1510814000	CURL GUARD		*		1
18	13178306	FINGER GUIDE		*		1
19	11876869	PRESSER FOOT ASM.	FOR MO-6714DA			1
20	11872009	PRESSER FOOT HINGE		*		1
21	SS6090670TP	SCREW 9/64-40 L=6		*		1
22	B1530804000	STOPPER		*		1
23	WP0250516SD	WASHER 2.5X6X0.5		*		1
24	SS7060610SP	SCREW 3/32-56 L=5.5		*		1
25	SS6060210SP	SCREW 3/32-56 L=1.9		*		1
26	B1511814000	REAR PRESSER FOOT		*		1
27	B150781400P	PRESSER FOOT		*		1
28	SS7080520SP	SCREW 1/8-44 L=4.9		*		1
29	B150880400B	SPRING		*		1
30	B150981400P	STITCH TONGUE		*		1
31	SS6060440TP	SCREW 3/32-56 L=3.5		*		1
32	B1510814000	CURL GUARD		*		1
33	13178306	FINGER GUIDE		*		1
34	12153763	PRESSER FOOT ASM.	FOR MO-6716DA			1
35	12156907	PRESSER FOOT HINGE		*		1
36	SS6090650SP	SCREW 9/64-40 L=6		*		1
37	12164802	REAR PRESSER FOOT		*		1
38	12167805	SPRING FOR REAR PRESSER FOOT		*		1
39	B1513816000	NUT FOR REAR PRESSER FOOT		*		1
40	12167409	HINGE PIN		*		1
41	12162202	PRESSER FOOT		*		1
42	12167607	PRESSER FOOT ARM SPRING		*		1
43	12167508	HINGE SCREW		*		1
44	SS6060340SP	SCREW 3/32-56 L=2.5		*		1
45	B1514816000	SCREW		*		1
46	12167706	PRESSER FOOT		*		1
47	13178405	FINGER GUIDE		*		1

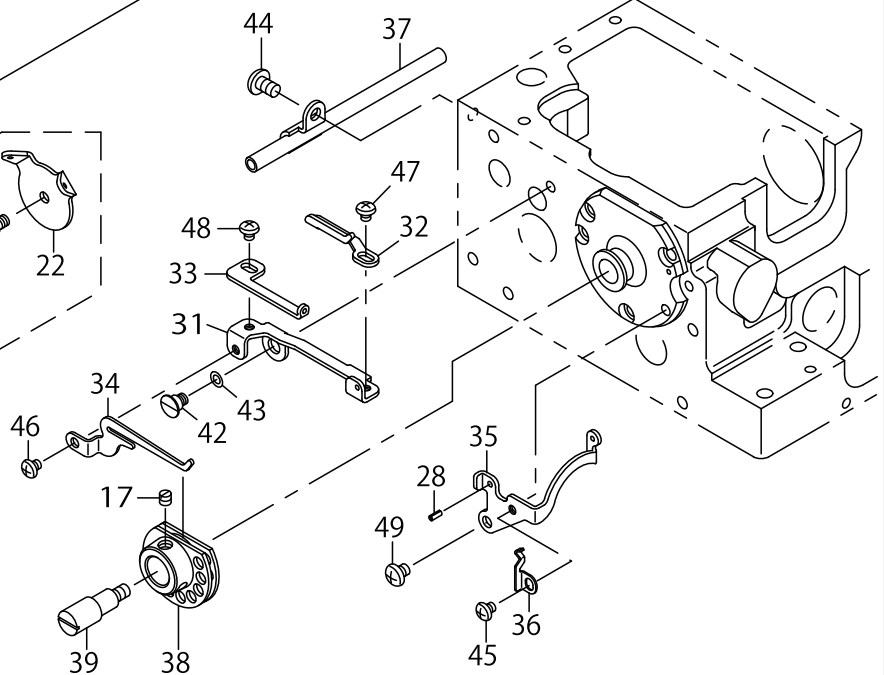
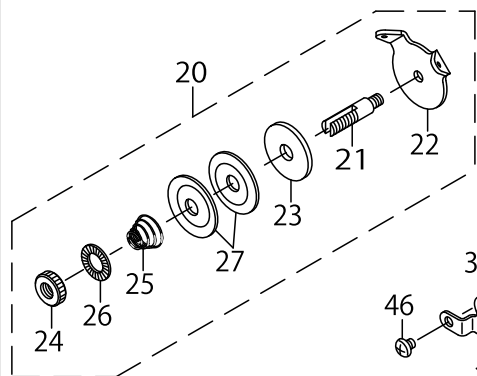
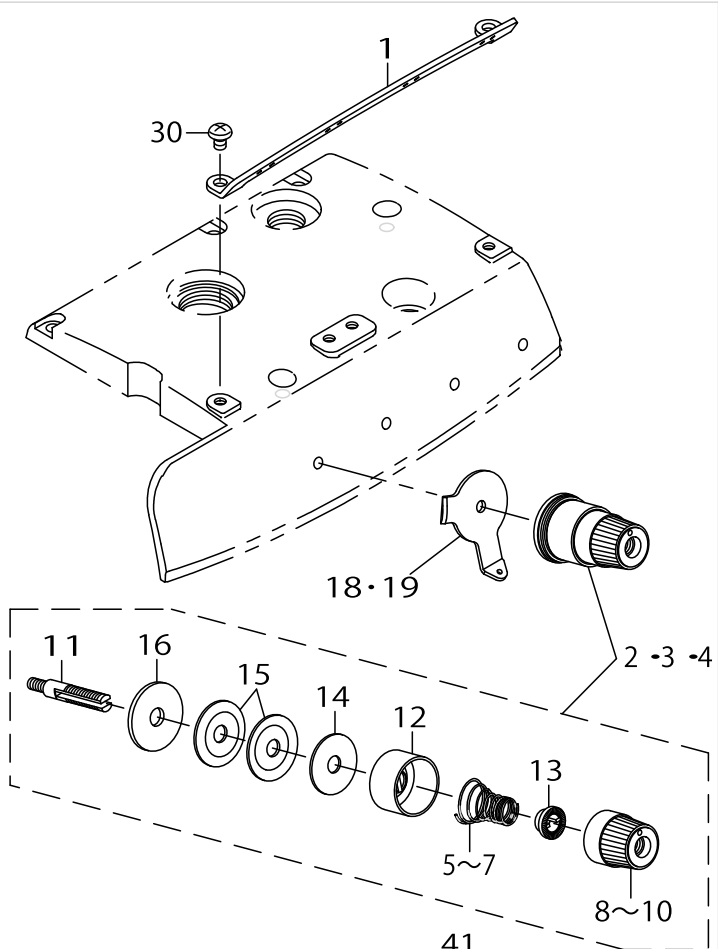
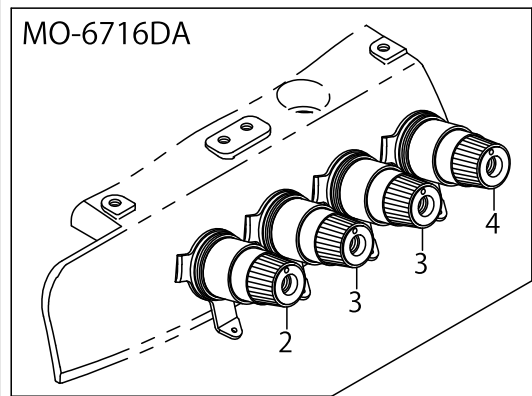
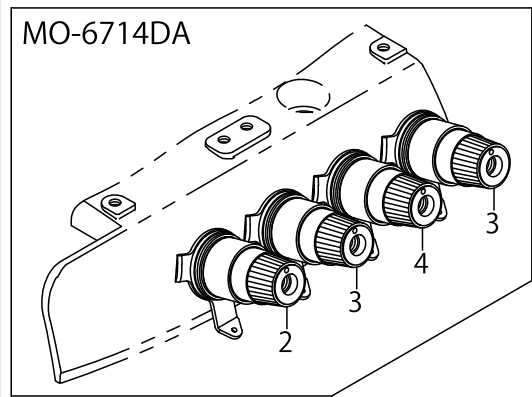
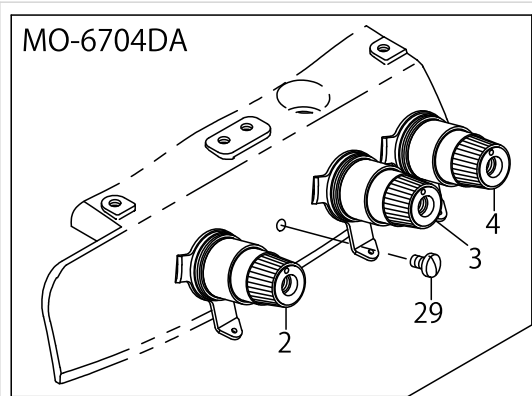
THREAD TENSION COMPONENTS



THREAD TENSION COMPONENTS

No.	Parts No.	Parts name	Remarks	Level	Cons	Qty
1	13225008	CENTER THREAD GUIDE				1
2	13137559	THREAD TENSION SPRING COMPL.				1
3	13138359	THREAD TENSION SPRING COMPL.	FOR MO-6704DA(1 PC. IS USED.) FOR MO-6714DA,MO-6-916DA (2 PC. ARE USED.)			1
4	13138656	THREAD TENSION SPRING COMPL.				1
5	13137807	THREAD TENSION SPRING RED		*		1
6	13138508	THREAD TENSION SPRING YELLOW		*		1
7	13138805	THREAD TENSION SPRING BLUE		*		1
8	13137708	THREAD TENSION KNOB RED		*		1
9	13138409	THREAD TENSION KNOB YELLOW		*		1
10	13138706	THREAD TENSION KNOB BLUE		*		1
11	13138904	THREAD TENSION BAR		*		1
12	13137609	THREAD TENSION DISK PRESSER		*		1
13	13137906	SPRING BUSHING		*		1
14	13138102	THREAD TENSION SPRING FELT		*		1
15	13138201	THREAD TENSION DISK		*		2
16	13138003	THREAD TENSION RUBBER WASHER		*		1
17	SS8110410TP	SCREW 11/64-40 L=3.5	FOR MO-6716DA			2
18	13225107	TESION DISK THREAD GUIDE	FOR MO-6704DA			3
19	13225107	TESION DISK THREAD GUIDE	FOR MO-6714DA,MO-6716DA			4
20	13139555	THREAD TENSION POST CONPL.	FOR MO-6716DA			1
21	13140009	THREAD TENSION POST		*		1
22	13139605	TESION DISK THREAD GUIDE		*		1
23	13139902	THREAD TENSION SPRING FELT		*		1
24	13139803	THREAD TENSION NUT		*		1
25	13139704	THREAD TENSION SPRING		*		1
26	22921407	ROTATION STOPPER		*		1
27	13138201	THREAD TENSION DISK		*		2
28	PS0200052KH	SPRING PIN 2.3X5	FOR MO-6716DA			1
29	SS7110710SL	SCREW 11/64-40 L=7.0	FOR MO-6704DA			1
30	SS4110615SP	SCREW 11/64-40 L=6				2
31	13128202	THREAD CAM THREAD GUIDE BASE	FOR MO-6716DA			1
32	13128301	THREAD CAM THREAD GUIDE A	FOR MO-6716DA			1
33	13128400	THREAD CAM THREAD GUIDE B	FOR MO-6716DA			1
34	13128509	LOWER THREAD CAM HOOK	FOR MO-6716DA			1
35	13128608	LOWER THREAD GUIDE	FOR MO-6716DA			1
36	13128707	THREAD GUIDE BASE SPRING	FOR MO-6716DA			1
37	13129259	LOWER THREAD CONDUIT BASE ASM.	FOR MO-6716DA			1
38	13129457	LOWER THREAD CAM COMPL.	FOR MO-6716DA			1
39	B2202816000	SHAFT	FOR MO-6716DA			1
40	13129101	LOWER THREAD CONDUIT GUIDE	FOR MO-6716DA			1
41	SS5150510SP	SCREW 15/64-28 L=5	FOR MO-6716DA			1
42	SD0600341TP	HINGE SCREW D=6.0 H=3.4	FOR MO-6716DA			1
43	WZ0640312K0	WAVED WASHER	FOR MO-6716DA			1
44	SM4050855SP	SCREW M5 L=8	FOR MO-6716DA			1
45	SS4090415SP	SCREW 9/64-40 L=4	FOR MO-6716DA			1

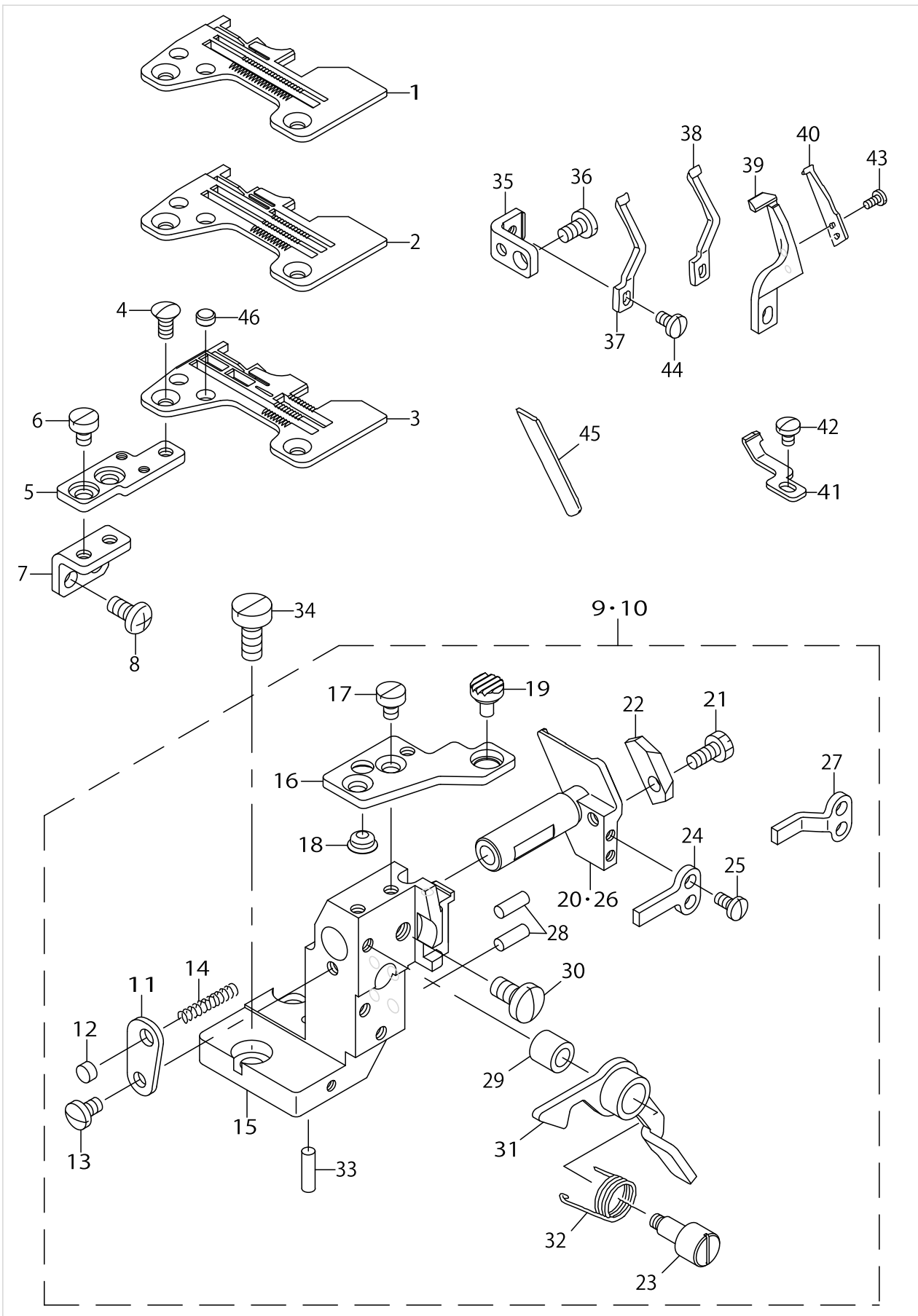
THREAD TENSION COMPONENTS



THREAD TENSION COMPONENTS

No.	Parts No.	Parts name	Remarks	Level	Cons	Qty
46	SS4090415SP	SCREW 9/64-40 L=4	FOR MO-6716DA			1
47	SS4090415SP	SCREW 9/64-40 L=4	FOR MO-6716DA			1
48	SS4090415SP	SCREW 9/64-40 L=4	FOR MO-6716DA			1
49	SS4110515SP	SCREW 11/64-40 L=5	FOR MO-6716DA			1

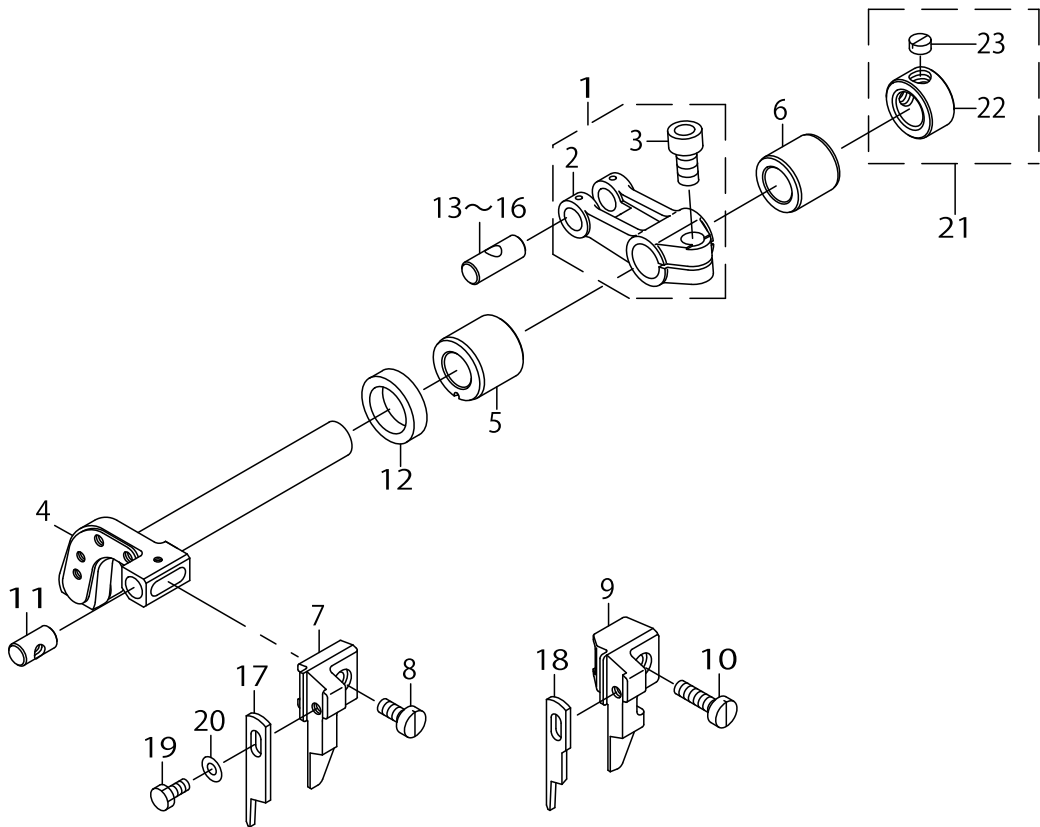
LOWER KNIFE COMPONENTS



LOWER KNIFE COMPONENTS

No.	Parts No.	Parts name	Remarks	Level	Cons	Qty
1	R4200J6ED00	THROAT PLATE	FOR MO-6704DA			1
2	R4305J6EE00	THROAT PLATE	FOR MO-6714DA			1
3	R4508J6ED00	THROAT PLATE	FOR MO-6716DA			1
4	SS2110910SL	SCREW 11/64-40 L=9				2
5	13151204	THROAT PLATE BASE B				1
6	SS6110610TP	SCREW 11/64-40 L=6				2
7	12288908	THROAT PLATE BASE B SUPPORT				1
8	SM4051055SP	SCREW				2
9	13232657	LOWER KNIFE BRACKET ASM.	FOR MO-6704DA,MO-6714DA			1
10	13232756	LOWER KNIFE BRACKET ASM.	FOR MO-6716DA			1
11	13149307	SPRING STOPPER		*		1
12	13102702	THROAT PLATE COVER		*		1
13	SS7110720SP	SCREW 11/64-40 L=7		*		1
14	13148101	SPRING		*		1
15	13149406	LOWER KNIFE BRACKET		*		1
16	13148309	THROAT PLATE BASE A		*		1
17	SS6110610TP	SCREW 11/64-40 L=6		*		2
18	13149109	RUBBER PLUG B		*		1
19	13235304	RUBBER PLUG A		*		1
20	13149505	LOWER KNIFE SLIDE STUD	FOR MO-6704DA,MO-6714DA	*		1
21	SS9111010SP	SCREW 11/64-40 L=9.5		*		1
22	13149208	LOWER KNIFE PRESSER PLATE		*		1
23	13148408	LEVER SHAFT		*		1
24	13149703	ROTATING STOPPER	FOR MO-6704DA,MO-6714DA	*		1
25	SS7090710SP	SCREW 9/64-40 L=6.8		*		2
26	13149604	LOWER KNIFE SLIDE STUD	FOR MO-6716DA	*		1
27	13149802	ROTATING STOPPER	FOR MO-6716DA	*		1
28	13149901	HOLDER PIN		*		2
29	13148903	RUBBER PLUG		*		1
30	SS7151120SP	SCREW 15/64-28 L=11		*		1
31	13148556	LEVER ASM.		*		1
32	13148804	LIVER SPRING		*		1
33	13149901	HOLDER PIN		*		1
34	SS6151440SP	SCREW 15/64-28 L=14				2
35	13151105	NEEDLE HOLDER SUPPORT				1
36	SS7110840SP	SCREW 11/64-40 L=7.8				1
37	11890100	NEEDLE GUARD	FOR MO-6704DA			1
38	11890308	NEEDLE GUARD	FOR MO-6714DA			1
39	12015301	NEEDLE HOLDER	FOR MO-6716DA			1
40	12015400	NEEDLE HOLDER	FOR MO-6716DA			1
41	12177903	NEEDLE HOLDER	FOR MO-6716DA			1
42	SS7090510SP	SCREW 9/64-40 L=4.6	FOR MO-6716DA			1
43	SS7060510SP	SCREW 3/32-56 L=4.8	FOR MO-6716DA			2
44	SS7090610SP	SCREW 9/64-40 L=6				1
45	13150701	LOWER KNIFE				1
46	13102702	THROAT PLATE COVER				2

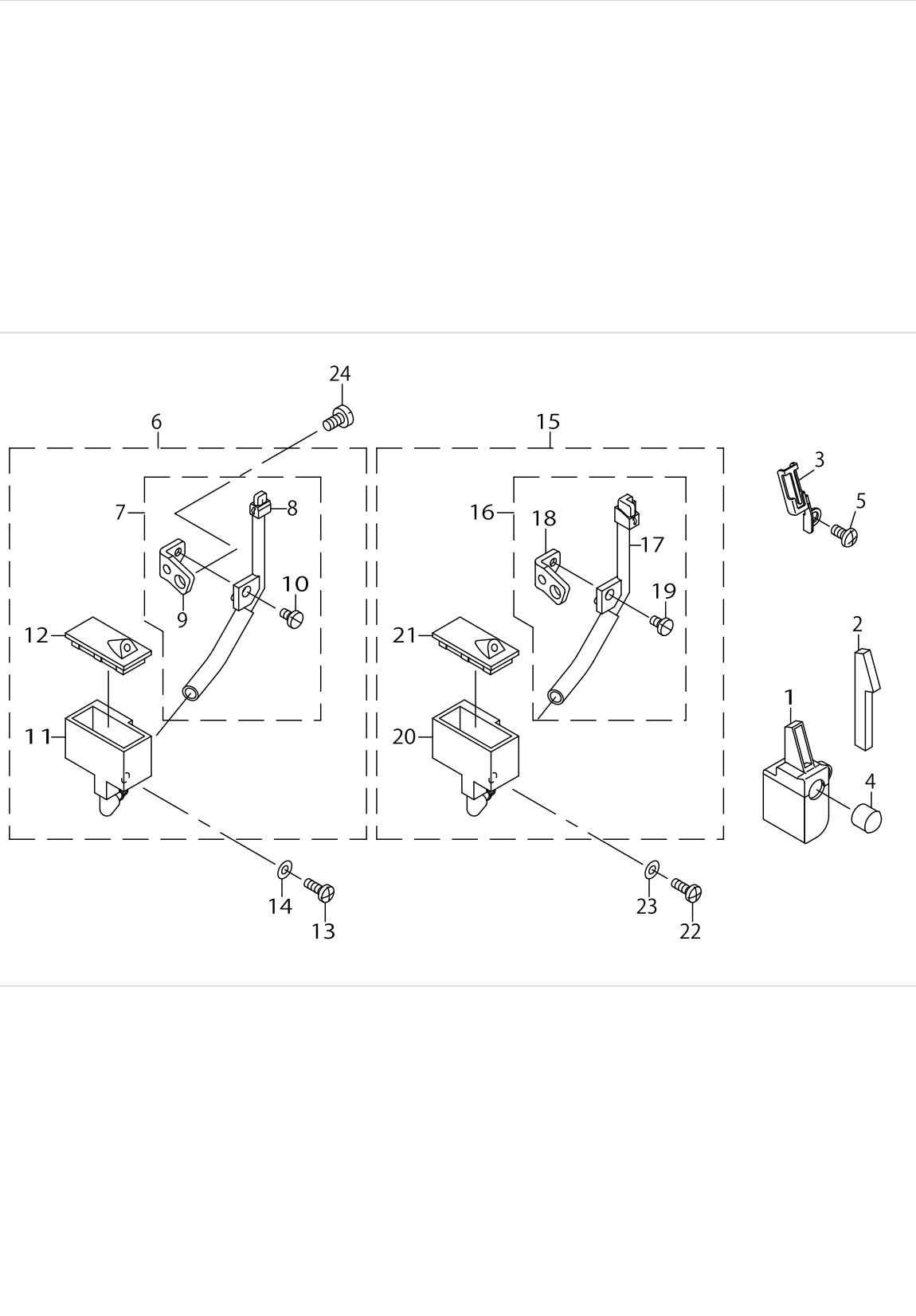
UPPER KNIFE COMPONENTS



UPPER KNIFE COMPONENTS

No.	Parts No.	Parts name	Remarks	Level	Cons	Qty
1	13147558	FEED FORKED ARM ASM.				1
2	13147509	FEED FORKED ARM		*		1
3	SM6061402TP	SCREW M6 L=14		*		1
4	13151303	KNIFE DRIVING ARM SHAFT				1
5	13150909	BUSHING FRONT				1
6	13151006	BUSHING REAR				1
7	13147400	PLAIN KNIFE SUPPORT A	FOR MO-6704DA,MO-6714DA			1
8	SS6111040SP	SCREW 11/64-40 L=9.5	FOR MO-6704DA,MO-6714DA			1
9	13147301	PLAIN KNIFE SUPPORT	FOR MO-6716DA			1
10	SS6111610SP	SCREW 11/64-40 L=16	FOR MO-6716DA			1
11	13150800	UPPER KNIFE GUIDE SHAFT				1
12	11566809	OIL SEAL				1
13	13122007	CRANK PIN A	SELECTIVE PARTS			1
14	13122106	CRANK PIN B	SELECTIVE PARTS			1
15	13122205	CRANK PIN C	SELECTIVE PARTS			1
16	13122304	CRANK PIN D	SELECTIVE PARTS			1
17	13150503	PLAIN KNIFE	FOR MO-6704DA,MO-6714DA			1
18	13150602	PLAIN KNIFE	FOR MO-6716DA			1
19	SS9090823TP	BOLT 9/64-40 L=8				1
20	WP0370316SD	WASHER 3.7X8X0.3				1
21	CS111101HSH	THRUST COLLAR ASM.				1
22	CS1111019SH	THRUST COLLAR D=11.11 W=10		*		1
23	SS8660330SP	SCREW 1/4-40 L= 3.0		*		1

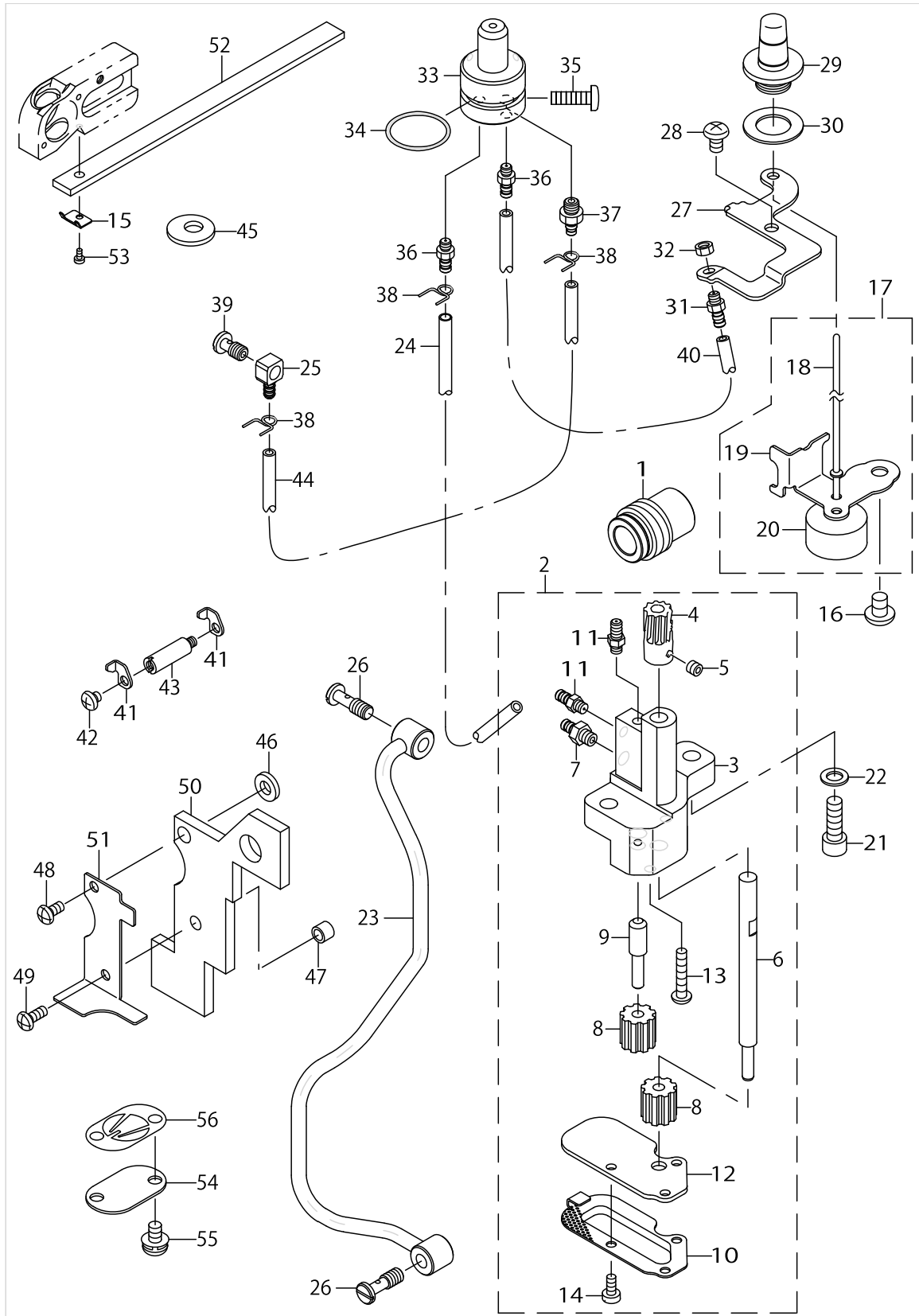
NEEDLE COOLING MECHANISM COMPONENTS (FOR SH)



NEEDLE COOLING MECHANISM COMPONENTS (FOR SH)

No.	Parts No.	Parts name	Remarks	Level	Cons	Qty
1	13163456	SILICON TANK ASM.				1
2	13163803	NEEDLE THREAD FELT				1
3	13163902	NEEDLE THREAD FELT PRESSER				1
4	TA0950806R0	RUBBER PLUG				1
5	SM4040855SP	SCREW				1
6	13162557	NEEDLE COOLER UNIT ASM. (OVER)	FOR MO-6704DA,MO-6714DA			1
7	13162565	NEEDLE COOLER UNIT COMPL.		*		1
8	13162573	NEEDLE COOLER UNIT ASM. (OVER)		*		1
9	13162805	NEEDLE COOLER SUPPORT		*		1
10	SS7090610SP	SCREW 9/64-40 L=6		*		1
11	13162904	TANK		*		1
12	13163001	TANK COVER		*		1
13	SS4091015SP	SCREW 9/64-40 L=10				1
14	WP0371026SD	WASHER 3.7X7X1				1
15	13163159	NEEDLE COOLER UNIT ASM.(INTER)	FOR MO-6716DA			1
16	13163167	NEEDLE COOLER COMPL.(INTER)		*		1
17	13163175	NEEDLE COOLER ASM.(INTER)		*		1
18	13162805	NEEDLE COOLER SUPPORT		*		1
19	SS7090610SP	SCREW 9/64-40 L=6		*		1
20	13162904	TANK		*		1
21	13163001	TANK COVER		*		1
22	SS4091015SP	SCREW 9/64-40 L=10				1
23	WP0371026SD	WASHER 3.7X7X1				1
24	SS7110840SP	SCREW 11/64-40 L=7.8				1

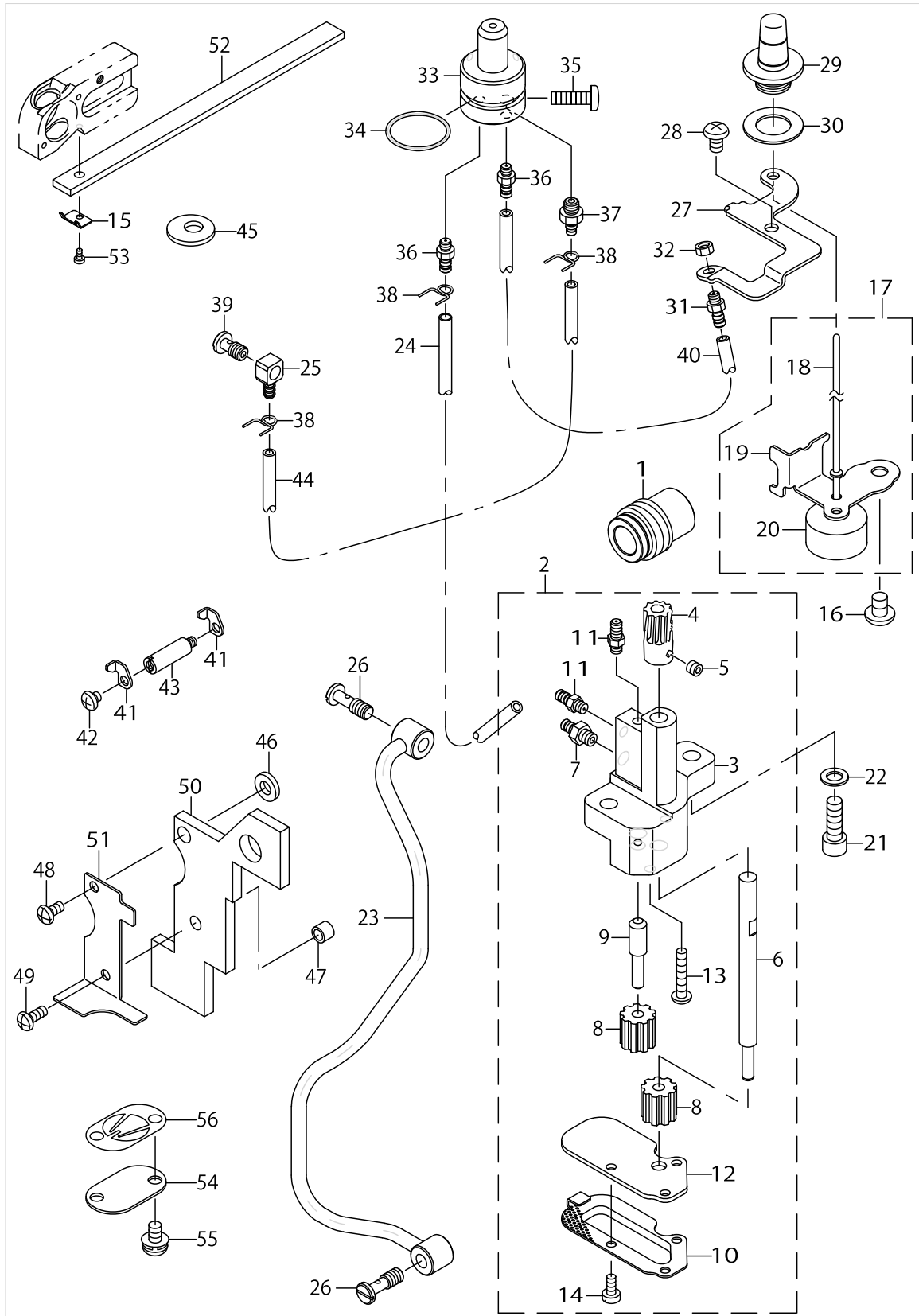
LUBRICATION MECHANISM COMPONENTS



LUBRICATION MECHANISM COMPONENTS

No.	Parts No.	Parts name	Remarks	Level	Cons	Qty
1	13230305	WORM				1
2	40109455	OIL PUMP ASM				1
3	40109454	OIL PUMP BODY		*		1
4	13343009	WORM WHEEL		*		1
5	SM8050412TP	SCREW M5 L=4		*		2
6	13228002	GEAR PUMP SHAFT BASE		*		1
7	SQ1150451MZ	CONNECTING SCREW		*		1
8	13228200	OIL PUMP PINION		*		2
9	40025334	GEAR PUMP SHAFT		*		1
10	40016763	PUMP NET		*		1
11	SQ1110451MZ	CONNECTING SCREW		*		2
12	40016762	PUMP COVER		*		1
13	SS4112215SP	SCREW 11/64-40 L=22		*		2
14	SS6090810SP	SCREW 9/64-40 L= 7.5		*		3
15	13143607	OIL FELT PRESSER				1
16	SM4060801SE	SCREW				1
17	13229356	FLOAT ASM.				1
18	12129904	OIL GAUGE BAR		*		1
19	13229307	FLOAT SUPPORT		*		1
20	12129805	FLOAT		*		1
21	SM6061802TP	SCREW M6 L=18				2
22	WP0651056SD	WASHER 6.5X11X1				2
23	13228655	LUBRICATION MECHANISM PIPE ASM				1
24	BP30000010R	VINYL PIPE				0.18
25	SQ0000451MZ	CONNECTING SCREW				1
26	SQ1150454SD	CONNECTING SCREW				2
27	13143805	EXHAUST PORT SUPPORT				1
28	SM4050855SP	SCREW				1
29	13143300	OIL GAUGE				1
30	13144001	OIL GAUGE GASKET				1
31	SQ1110451MZ	CONNECTING SCREW				1
32	NS6110310SP	HEXAGONAL NUT 11/64-40				1
33	13142955	FILTER GUIDE ASM.				1
34	13170808	RUBBER RING				1
35	SM4051601SC	SCREW M5X0.8 L=16				1
36	SQ1110451MZ	CONNECTING SCREW				2
37	SQ1150451MZ	CONNECTING SCREW				1
38	13142609	OIL TUBE HOLDER				3
39	SQ1150441SD	CONNECTING SCREW				1
40	23630007	TUBE				0.23
41	13228903	OIL FELT PRESSER				2
42	31018005	SCREW				1
43	13229000	FELT PRESSER SPACER				1
44	BP30000010R	VINYL PIPE				0.2
45	40004750	UPPER LOOPER ROOM HOLE FELT				1
46	B3013141H0A	WASHER				1
47	40032582	COLLAR				1

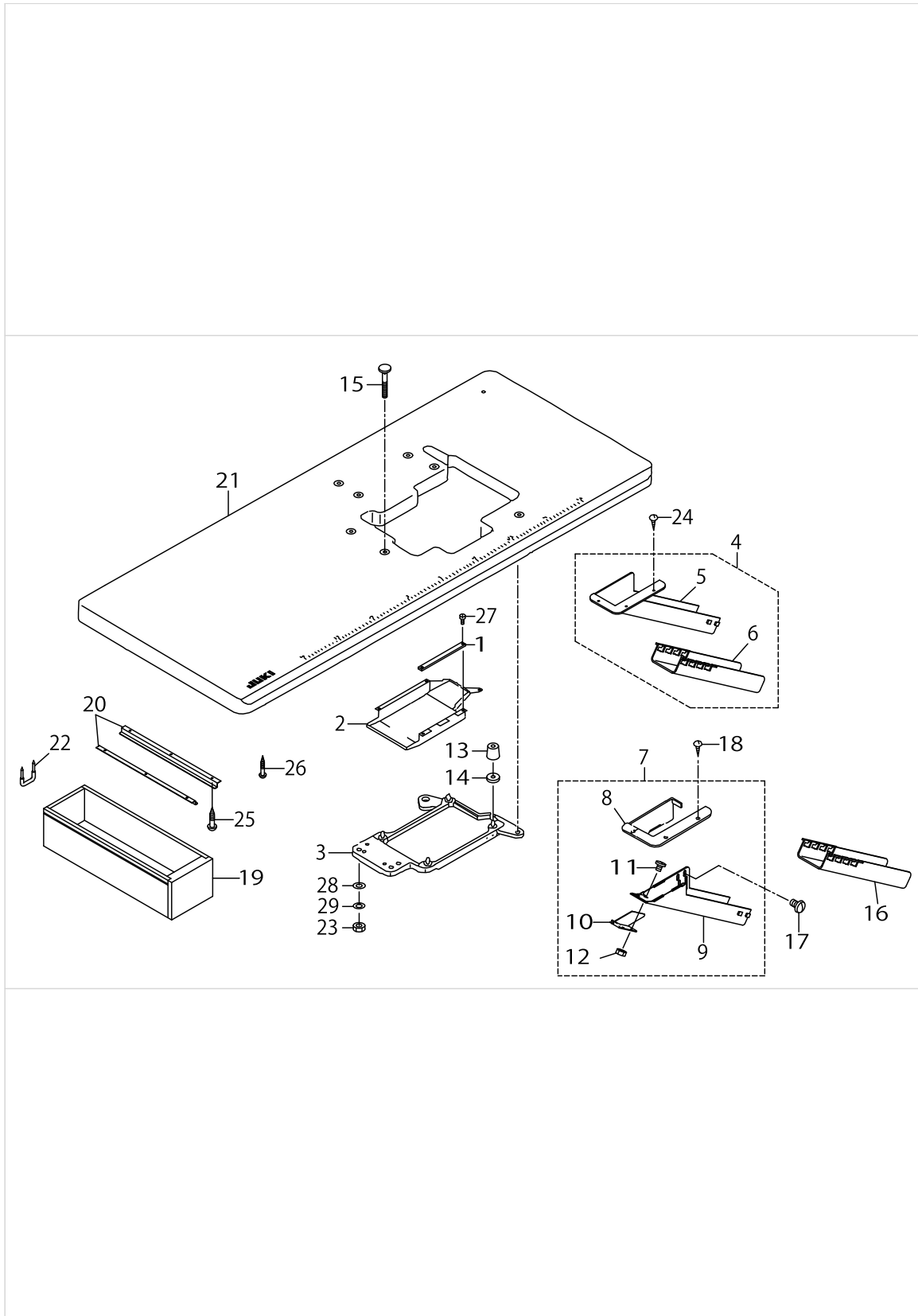
LUBRICATION MECHANISM COMPONENTS



LUBRICATION MECHANISM COMPONENTS

No.	Parts No.	Parts name	Remarks	Level	Cons	Qty
48	SM4040855SP	SCREW				1
49	SM4041055SP	SCREW				1
50	40004748	NEEDLE LUBRICATION FELT				1
51	40004747	FELT PRESSER				1
52	40004746	UPPER LOOPER LUBRICATION FELT				1
53	SS6060440TP	SCREW 3/32-56 L=3.5				1
54	40004509	UPPER LOOPER COVER				1
55	SS4120615SP	SCREW 3/16-28 L=6				2
56	40004755	LOOPER FELT PRESSER				1

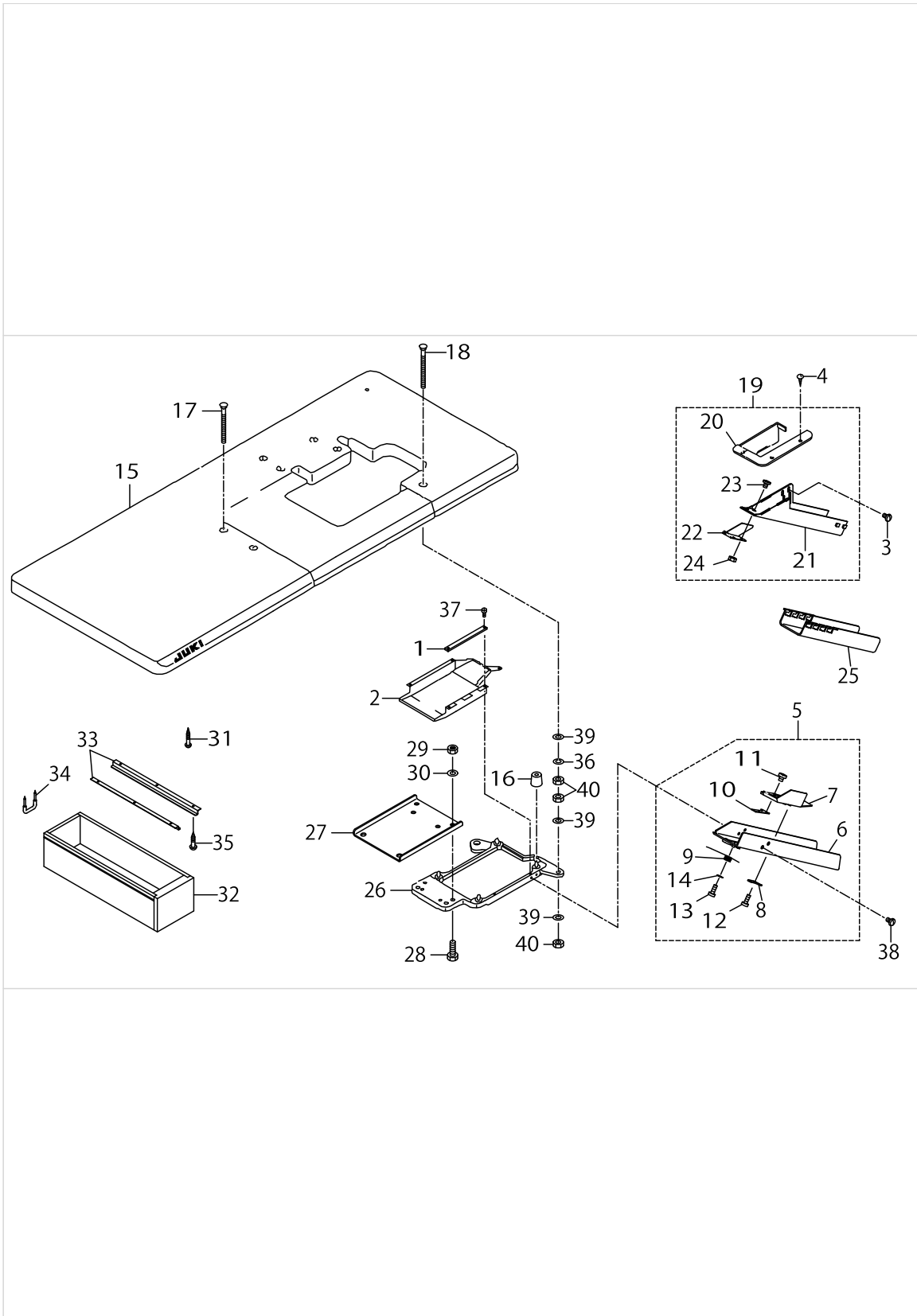
SEMI-SUNKEN TYPE TABLE COMPONENTS



SEMI-SUNKEN TYPE TABLE COMPONENTS

No.	Parts No.	Parts name	Remarks	Level	Cons	Qty
1	13161005	CASE SPONGE				1
2	13160908	COOLING FAN CASE				1
3	13161153	FRAME SUPPORT PLATE ASM.				1
4	12341954	CLOTH WASTE CHUTE ASM.	EXCEPT JE			1
5	12341905	CLOTH WASTE CHUTE(SEMI-SUNKEN)		*		1
6	12341806	CLOTH WASTE CHUTE		*		1
7	13155759	CLOTH WASTE CHUTE ASM.	FOR JE			1
8	13155601	CLOTH WASTE CHUTE INLET		*		1
9	13155700	CLOTH WASTE CHUTE UPPER		*		1
10	13155502	CHUTE SUPPORT		*		1
11	SS5090610SP	SCREW 9/64-40 L=6		*		3
12	NS6090310SP	NUT 9/64-40		*		3
13	13155403	ISOLATOR				4
14	13156500	ISOLATOR SPACER				4
15	13155007	HOLDING PLATE BOLT				4
16	12341806	CLOTH WASTE CHUTE	FOR JE			1
17	SS5110710SP	SCREW 11/64-40 L=7	FOR JE			2
18	SK2351600SC	WOOD SCREW D=3.5 L=16	FOR JE			3
19	11155108	DRAWER				1
20	11155207	DRAWER SUPPORT				2
21	11959400	TABLE (SEMI-SUNKEN)				1
22	D8204555D00	DRAWER STOPPER				1
23	NS6240630SE	NUT 3/8-18				4
24	SK2351600SC	WOOD SCREW D=3.5 L=16	EXCEPT JE			3
25	SK3311500SC	WOOD SCREW D=3.1 L=15				6
26	SK3513200SC	WOOD SCREW D=5.1 L=32				4
27	SS6090630TP	SCREW 9/64-40 L=6				5
28	WP1002036SE	WASHER 10X21X2				4
29	WS1002560KR	SPRING WASHER 10X18X2.5				4

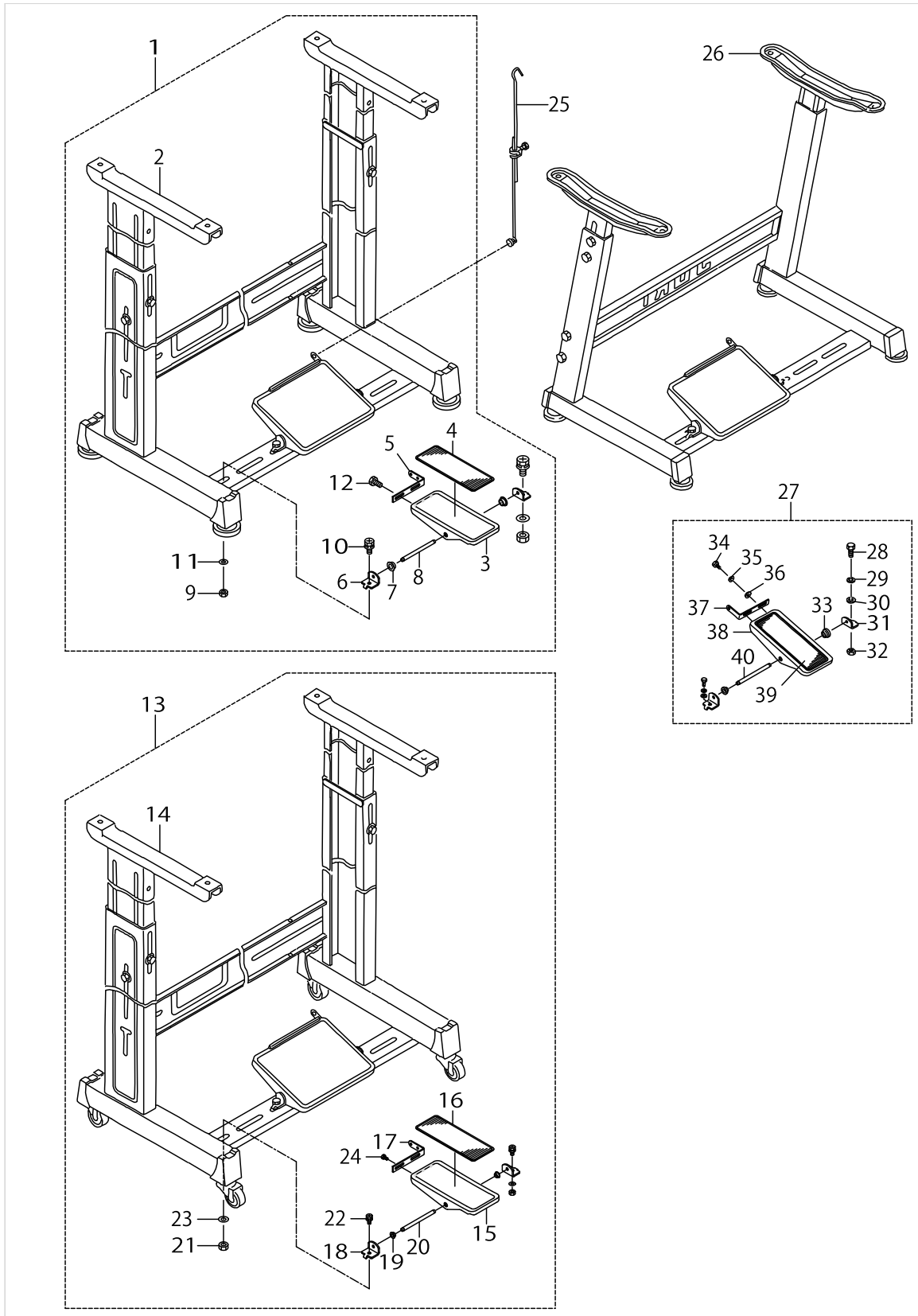
FULLY-SUNKEN TYPE TABLE COMPONENTS



FULLY-SUNKEN TYPE TABLE COMPONENTS

No.	Parts No.	Parts name	Remarks	Level	Cons	Qty
1	13161005	CASE SPONGE				1
2	13160908	COOLING FAN CASE				1
3	SS5110710SP	SCREW 11/64-40 L=7	FOR JE			2
4	SK2351600SC	WOOD SCREW D=3.5 L=16	FOR JE			3
5	13155858	CLOTH WASTE CHUTE ASM.	EXCEPT JE			1
6	13156203	CLOTH WASTE CHUTE		*		1
7	13156302	CLOTH WASTE CHUTE INLET		*		1
8	13155908	CHUTE INLET LEVER		*		1
9	13156005	CHUTE INLET SPRING		*		1
10	13156104	CHUTE INLET RUBBER		*		1
11	SS6090420SP	SCREW 9/64-40 L=4.0		*		2
12	ST60308210A	SCREW D=3-24 L=8		*		2
13	ST60308210A	SCREW D=3-24 L=8		*		1
14	WP0370316SD	WASHER 3.7X8X0.3		*		1
15	11959558	TABLE ASM.				1
16	13155403	ISOLATOR				4
17	13155106	HOLDING PLATE BOLT C				2
18	13155205	HOLDING PLATE BOLT D				2
19	13155759	CLOTH WASTE CHUTE ASM.	FOR JE			1
20	13155601	CLOTH WASTE CHUTE INLET		*		1
21	13155700	CLOTH WASTE CHUTE UPPER		*		1
22	13155502	CHUTE SUPPORT		*		1
23	SS5090610SP	SCREW 9/64-40 L=6		*		3
24	NS6090310SP	NUT 9/64-40		*		3
25	12341806	CLOTH WASTE CHUTE	FOR JE			1
26	13161153	FRAME SUPPORT PLATE ASM.				1
27	13155304	FRAME HOLDING PLATE COUPLING				1
28	SM9082513CF	SCREW M8 L=25				4
29	NM6080600SM	NUT M8				4
30	WP0850002SC	WASHER 8.5X18X1.6				4
31	SK3513200SC	WOOD SCREW D=5.1 L=32				4
32	11155108	DRAWER				1
33	11155207	DRAWER SUPPORT				2
34	D8204555D00	DRAWER STOPPER				1
35	SK3311500SC	WOOD SCREW D=3.1 L=15				6
36	WS1002560KR	SPRING WASHER 10X18X2.5				4
37	SS6090630TP	SCREW 9/64-40 L=6				5
38	SS5110710SP	SCREW 11/64-40 L=7	EXCEPT JE			2
39	WP1002036SE	WASHER 10X21X2				12
40	NS6240630SE	NUT 3/8-18				12

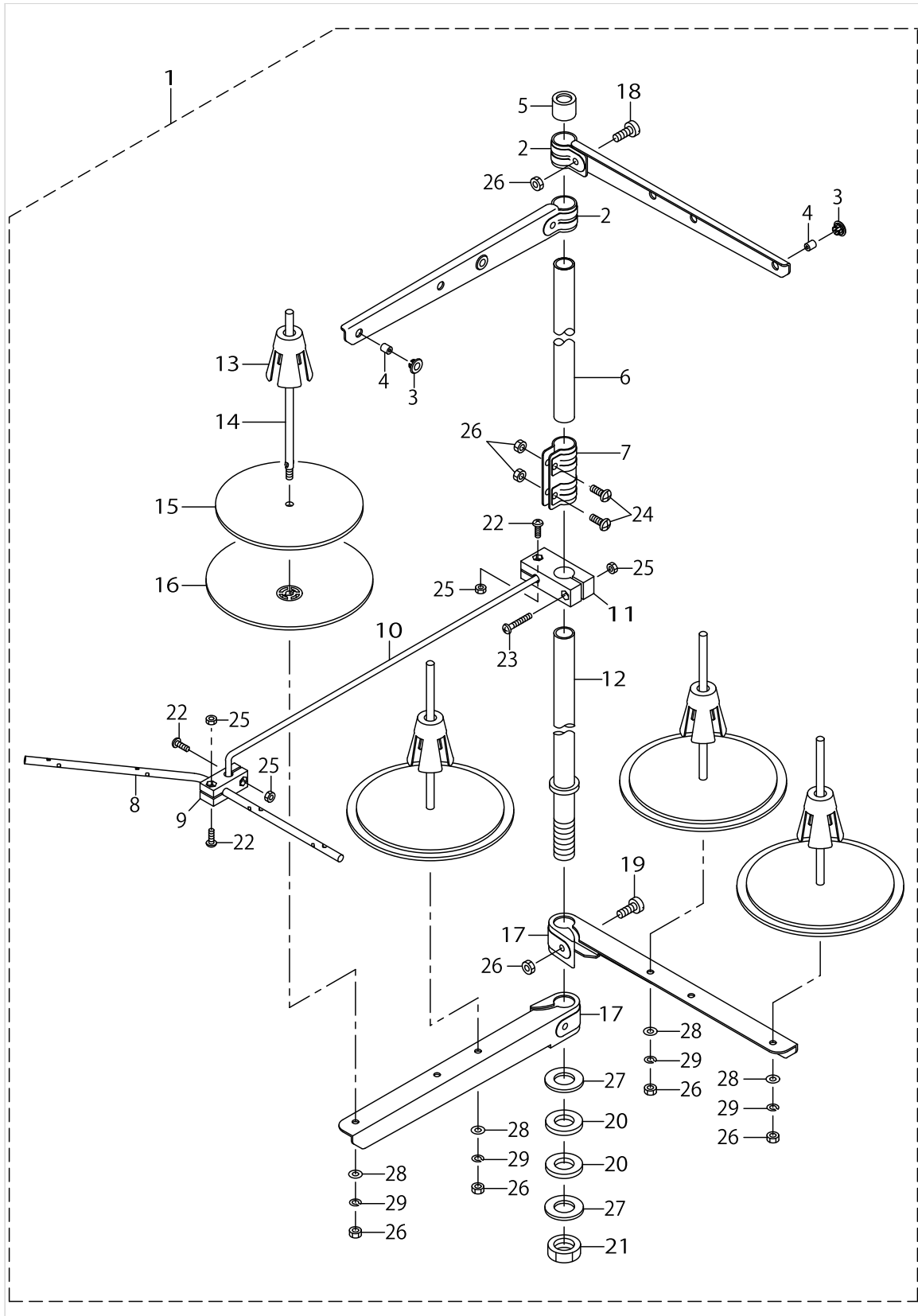
STAND COMPONENTS (Z/T)



STAND COMPONENTS (Z/T)

No.	Parts No.	Parts name	Remarks	Level	Cons	Qty
1	11960655	T STAND JUNCTION				1
2	11157567	T LEG JUNCTION		*		1
3	GPF06060000	PEDAL		*		1
4	GPF06070000	PEDAL MAT		*		1
5	GPF06080000	PEDAL ADJUSTING PLATE		*		1
6	11159001	PEDAL SHAFT BRACKET		*		2
7	D8113555B00	PEDAL BUSHING		*		2
8	B8153771000	PEDAL CONNECTING ROD		*		1
9	NM6080001SE	NUT M8		*		2
10	SL9082091SE	WASHER HEXAGONAL BOLT		*		2
11	WP0871602SE	WASHER 8.7X18X1.6		*		2
12	SL9061291SE	WASHER HEXAGONAL BOLT M6 L=12		*		2
13	11960754	T STAND JUNCTION(WITH CASTER)				1
14	11159365	T STAND JUNCTION		*		1
15	GPF06060000	PEDAL		*		1
16	GPF06070000	PEDAL MAT		*		1
17	GPF06080000	PEDAL ADJUSTING PLATE		*		1
18	11159001	PEDAL SHAFT BRACKET		*		2
19	D8113555B00	PEDAL BUSHING		*		2
20	B8153771000	PEDAL CONNECTING ROD		*		1
21	NM6080001SE	NUT M8		*		2
22	SL9082091SE	WASHER HEXAGONAL BOLT		*		2
23	WP0871602SE	WASHER 8.7X18X1.6		*		2
24	SL9061291SE	WASHER HEXAGONAL BOLT M6 L=12		*		2
25	B71140120A0	MOTOR CONNECTING ROD ASM.				1
26	11151065	Z LEG JUNCTION (B)				1
27	B81517710A0	PEDAL ASM.				1
28	SM9082023SE	SCREW M8 L=20		*		2
29	WS0861410KR	SPRING WASHER 8.6X15X1.4		*		2
30	WP0871602SE	WASHER 8.7X18X1.6		*		4
31	11151909	PEDAL SHAFT BRACKET		*		2
32	NM6080721SE	NUT M8		*		2
33	D8113555B00	PEDAL BUSHING		*		2
34	SM9061203SE	SCREW M6 L=12		*		2
35	WS0621210KR	SPRING WASHER 6.2X11.4X1.2		*		2
36	WP0671016SE	WASHER 6.7X13X1		*		2
37	11246600	PEDAL ADJUSTING PLATE		*		1
38	11246501	PEDAL		*		1
39	B8152771000	PEDAL MAT		*		1
40	B8153771000	PEDAL CONNECTING ROD		*		1

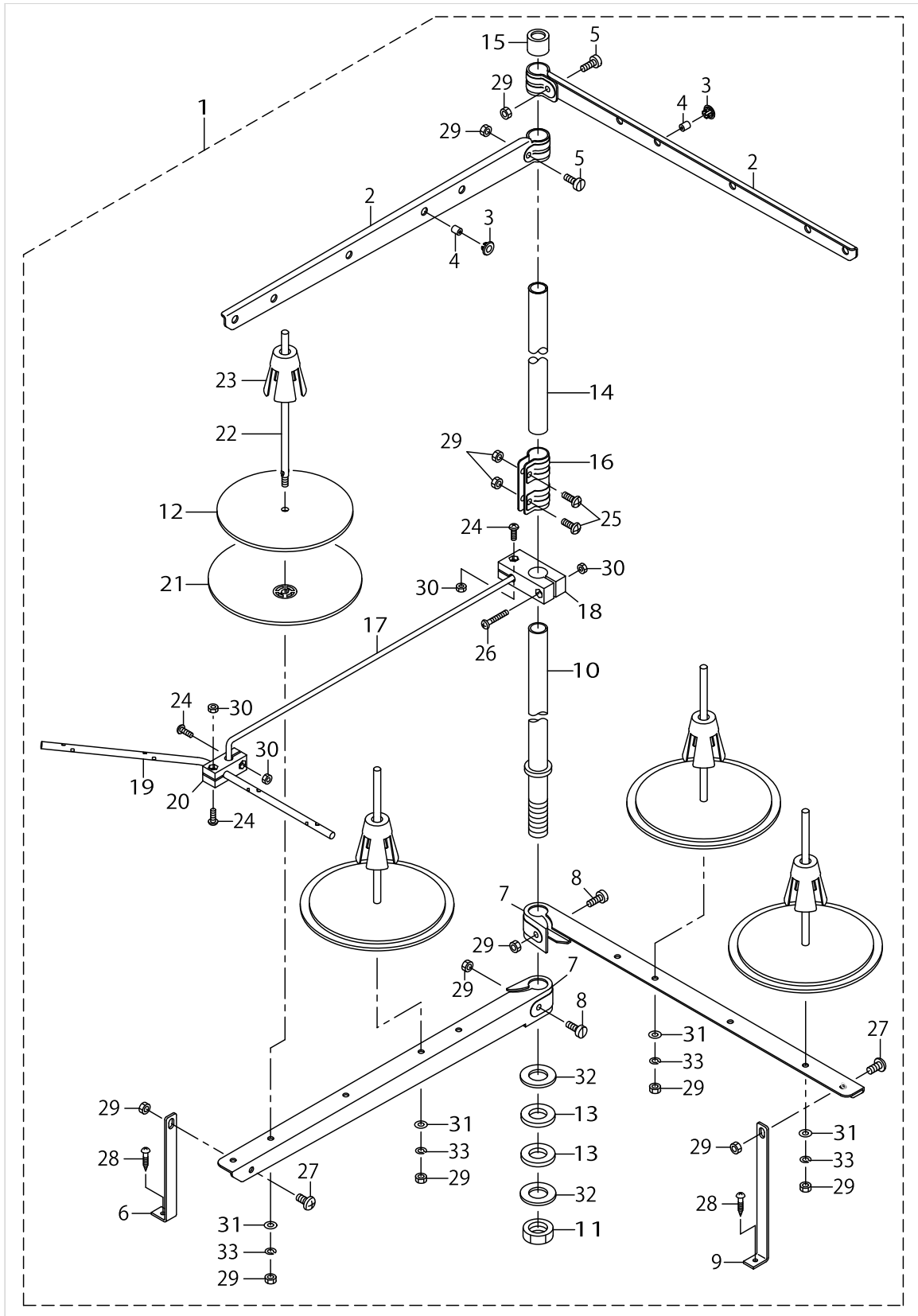
THREAD STAND COMPONENTS (FOR MO-6704DA,MO-6714DA)



THREAD STAND COMPONENTS (FOR MO-6704DA,MO-6714DA)

No.	Parts No.	Parts name	Remarks	Level	Cons	Qty
1	40106590	THREAD STAND ASM.				1
2	40085787	SPOOL REST ARM UPPER		*		2
3	40085795	THREAD GUIDE BUSHING		*		4
4	40085794	THREAD GUIDE		*		4
5	40085793	SPOOL REST ROD RUBBER CAP		*		1
6	40085785	SPOOL REST ROD UPPER		*		1
7	40085792	SPOOL REST ROD JOINT		*		1
8	40106582	THREAD GUIDE 4		*		1
9	40106580	THREAD GUIDE UNDER BASE		*		1
10	40106576	THREAD GUIDE ARM		*		1
11	40106579	THREAD GUIDE ARM BASE		*		1
12	40085784	SPOOL REST ROD LOWER		*		1
13	40085791	SPOOL RETAINER		*		4
14	40085790	SPOOL PIN		*		4
15	40085789	SPOOL REST CUSHION		*		4
16	40085788	SPOOL REST		*		4
17	40085786	SPOOL REST ARM LOWER		*		2
18	40096327	SPOOL REST ARM UPPER SCREW		*		2
19	40096326	SPOOL REST ARM LOWER SCREW		*		2
20	40085796	SPOOL REST ROD RUBBER CUSHION		*		2
21	40096325	SPOOL REST ROD NUT		*		1
22	SM4041201SC	SCREW_M4X0.7_L=12		*		3
23	SM4042501SC	SCREW M4X0.7 L=25		*		1
24	SM4051405SE	SCREW M5 L=14		*		2
25	NM6040002SC	NUT_M4X0.7 TYPE2		*		4
26	NM6050001SE	NUT M5X0.8 TYPE1		*		10
27	WP1612616SE	WASHER 16X30X2.6		*		2
28	WP0531001SC	WASHER M5		*		4
29	WS0510002KN	SPRING WASHER M5		*		4

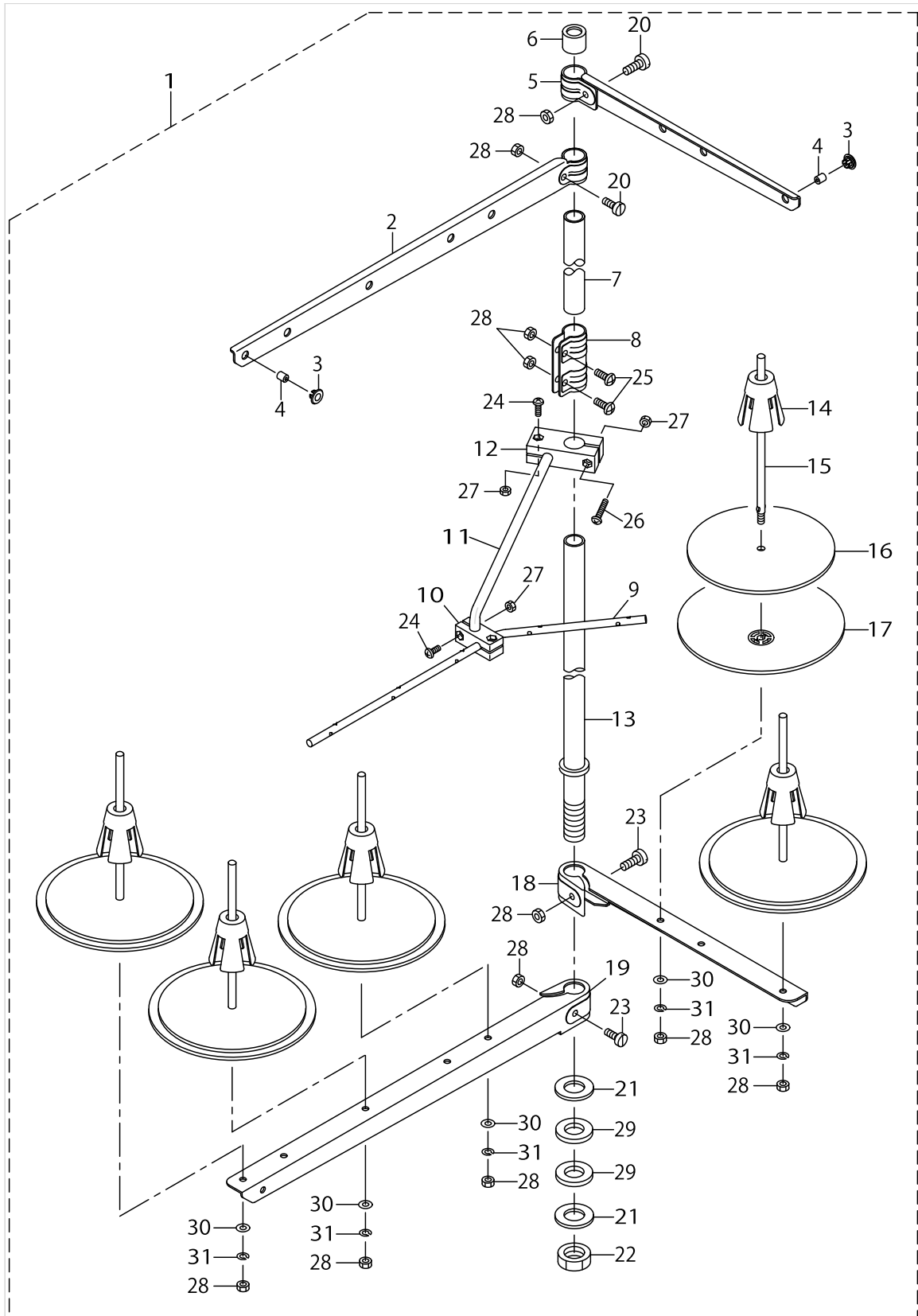
THREAD STAND COMPONENTS (MO-6704DA,MO-6714DA SPECIAL ORDER PARTS)



THREAD STAND COMPONENTS (MO-6704DA,MO-6714DA SPECIAL ORDER PARTS)

No.	Parts No.	Parts name	Remarks	Level	Cons	Qty
1	40106593	THREAD STAND ASM.				1
2	40106575	SPOOL REST LONG ARM UPPER		*		2
3	40085795	THREAD GUIDE BUSHING		*		4
4	40085794	THREAD GUIDE		*		4
5	40096327	SPOOL REST ARM UPPER SCREW		*		2
6	40106577	SPOOL REST ARM LOWER A		*		1
7	40106574	SPOOL REST LONG ARM LOWER		*		2
8	40096326	SPOOL REST ARM LOWER SCREW		*		2
9	40106578	SPOOL REST ARM LOWER B		*		1
10	40085784	SPOOL REST ROD LOWER		*		1
11	40096325	SPOOL REST ROD NUT		*		1
12	40085789	SPOOL REST CUSHION		*		4
13	40085796	SPOOL REST ROD RUBBER CUSHION		*		2
14	40085785	SPOOL REST ROD UPPER		*		1
15	40085793	SPOOL REST ROD RUBBER CAP		*		1
16	40085792	SPOOL REST ROD JOINT		*		1
17	40106576	THREAD GUIDE ARM		*		1
18	40106579	THREAD GUIDE ARM BASE		*		1
19	40106582	THREAD GUIDE 4		*		1
20	40106580	THREAD GUIDE UNDER BASE		*		1
21	40085788	SPOOL REST		*		4
22	40085790	SPOOL PIN		*		4
23	40085791	SPOOL RETAINER		*		4
24	SM4041201SC	SCREW.M4X0.7_L=12		*		3
25	SM4051405SE	SCREW M5 L=14		*		2
26	SM4042501SC	SCREW M4X0.7 L=25		*		1
27	SM4051001SE	SCREW M5 L=10		*		2
28	SK3412001SE	WOOD SCREW D=4.1 L=20		*		2
29	NM6050001SE	NUT M5X0.8 TYPE1		*		12
30	NM6040002SC	NUT_M4X0.7 TYPE2		*		4
31	WP0531001SC	WASHER M5		*		4
32	WP1612616SE	WASHER 16X30X2.6		*		2
33	WS0510002KN	SPRING WASHER M5		*		4

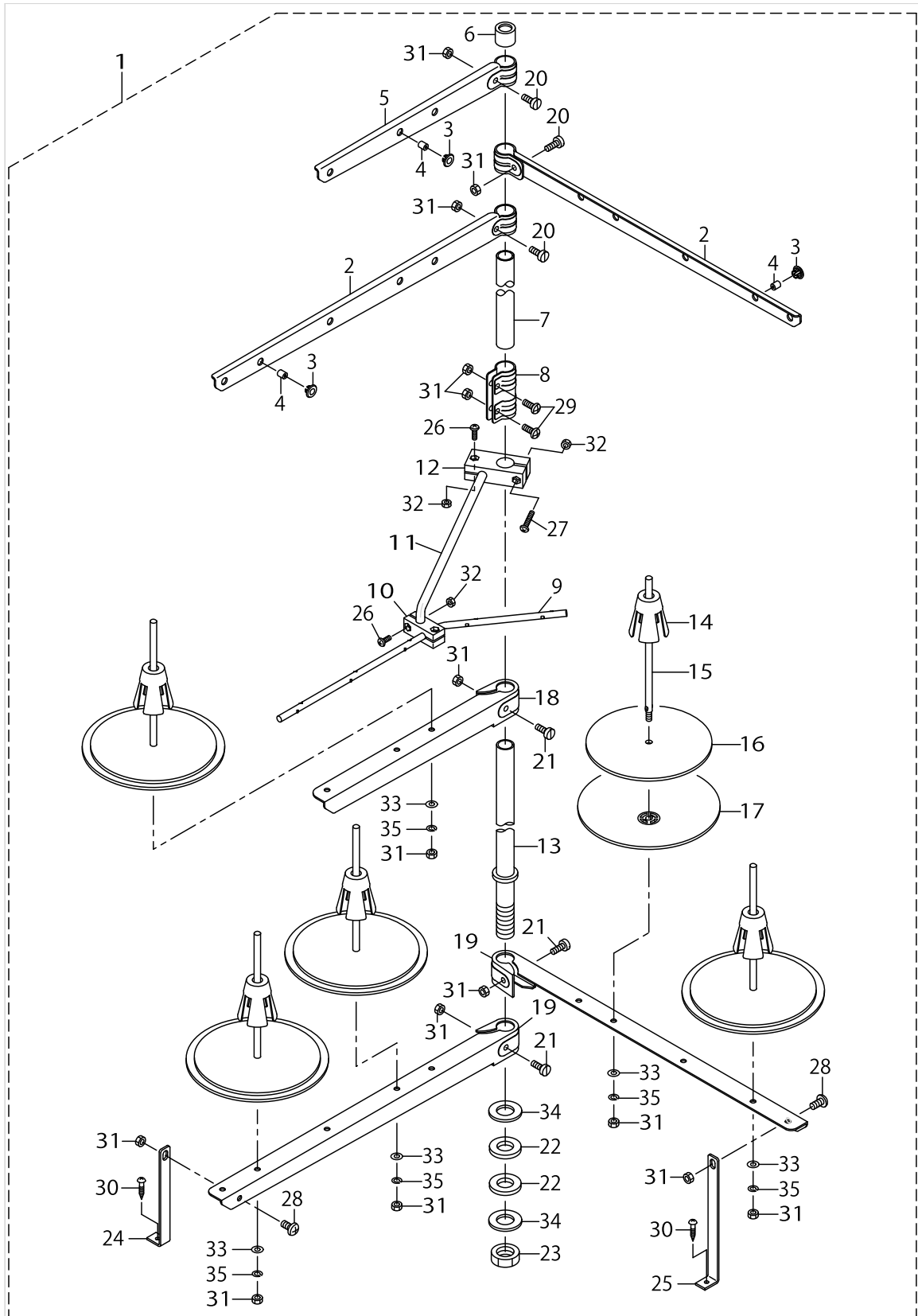
THREAD STAND COMPONENTS (FOR MO-6716DA)



THREAD STAND COMPONENTS (FOR MO-6716DA)

No.	Parts No.	Parts name	Remarks	Level	Cons	Qty
1	40106591	THREAD STAND ASM.				1
2	40106575	SPOOL REST LONG ARM UPPER		*		1
3	40085794	THREAD GUIDE		*		5
4	40085795	THREAD GUIDE BUSHING		*		5
5	40085787	SPOOL REST ARM UPPER		*		1
6	40085793	SPOOL REST ROD RUBBER CAP		*		1
7	40085785	SPOOL REST ROD UPPER		*		1
8	40085792	SPOOL REST ROD JOINT		*		1
9	40106581	THREAD GUIDE 5		*		1
10	40106580	THREAD GUIDE UNDER BASE		*		1
11	40106576	THREAD GUIDE ARM		*		1
12	40106579	THREAD GUIDE ARM BASE		*		1
13	40085784	SPOOL REST ROD LOWER		*		1
14	40085791	SPOOL RETAINER		*		5
15	40085790	SPOOL PIN		*		5
16	40085789	SPOOL REST CUSHION		*		5
17	40085788	SPOOL REST		*		5
18	40085786	SPOOL REST ARM LOWER		*		1
19	40106574	SPOOL REST LONG ARM LOWER		*		1
20	40096327	SPOOL REST ARM UPPER SCREW		*		2
21	40085796	SPOOL REST ROD RUBBER CUSHION		*		2
22	40096325	SPOOL REST ROD NUT		*		1
23	40096326	SPOOL REST ARM LOWER SCREW		*		2
24	SM4041201SC	SCREW.M4X0.7_L=12		*		3
25	SM4051405SE	SCREW M5 L=14		*		2
26	SM4042501SC	SCREW M4X0.7 L=25		*		1
27	NM6040002SC	NUT_M4X0.7 TYPE2		*		4
28	NM6050001SE	NUT M5X0.8 TYPE1		*		11
29	WP1612616SE	WASHER 16X30X2.6		*		2
30	WP0531001SC	WASHER M5		*		5
31	WS0510002KN	SPRING WASHER M5		*		5

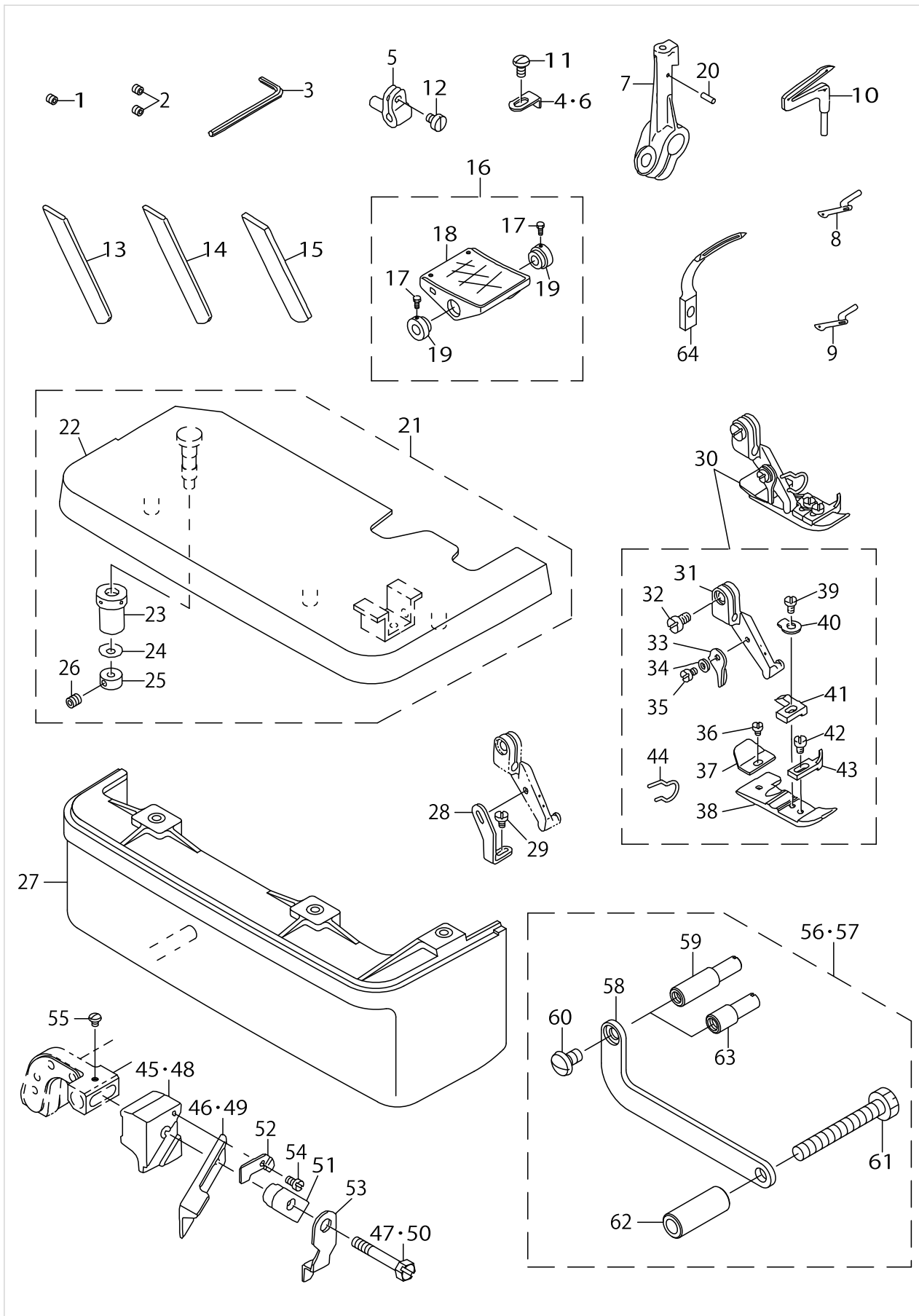
THREAD STAND COMPONENTS (MO-6716DA SPECIAL ORDER PARTS)



THREAD STAND COMPONENTS (MO-6716DA SPECIAL ORDER PARTS)

No.	Parts No.	Parts name	Remarks	Level	Cons	Qty
1	40106604	THREAD STAND ASM.				1
2	40106575	SPOOL REST LONG ARM UPPER		*		2
3	40085794	THREAD GUIDE		*		5
4	40085795	THREAD GUIDE BUSHING		*		5
5	40085787	SPOOL REST ARM UPPER		*		1
6	40085793	SPOOL REST ROD RUBBER CAP		*		1
7	40085785	SPOOL REST ROD UPPER		*		1
8	40085792	SPOOL REST ROD JOINT		*		1
9	40106581	THREAD GUIDE 5		*		1
10	40106580	THREAD GUIDE UNDER BASE		*		1
11	40106576	THREAD GUIDE ARM		*		1
12	40106579	THREAD GUIDE ARM BASE		*		1
13	40085784	SPOOL REST ROD LOWER		*		1
14	40085791	SPOOL RETAINER		*		5
15	40085790	SPOOL PIN		*		5
16	40085789	SPOOL REST CUSHION		*		5
17	40085788	SPOOL REST		*		5
18	40085786	SPOOL REST ARM LOWER		*		1
19	40106574	SPOOL REST LONG ARM LOWER		*		2
20	40096327	SPOOL REST ARM UPPER SCREW		*		3
21	40096326	SPOOL REST ARM LOWER SCREW		*		3
22	40085796	SPOOL REST ROD RUBBER CUSHION		*		2
23	40096325	SPOOL REST ROD NUT		*		1
24	40106577	SPOOL REST ARM LOWER A		*		1
25	40106578	SPOOL REST ARM LOWER B		*		1
26	SM4041201SC	SCREW_M4X0.7_L=12		*		3
27	SM4042501SC	SCREW M4X0.7 L=25		*		1
28	SM4051001SE	SCREW M5 L=10		*		2
29	SM4051405SE	SCREW M5 L=14		*		2
30	SK3412001SE	WOOD SCREW D=4.1 L=20		*		2
31	NM6050001SE	NUT M5X0.8 TYPE1		*		15
32	NM6040002SC	NUT_M4X0.7 TYPE2		*		4
33	WP0531001SC	WASHER M5		*		5
34	WP1612616SE	WASHER 16X30X2.6		*		2
35	WS0510002KN	SPRING WASHER M5		*		5

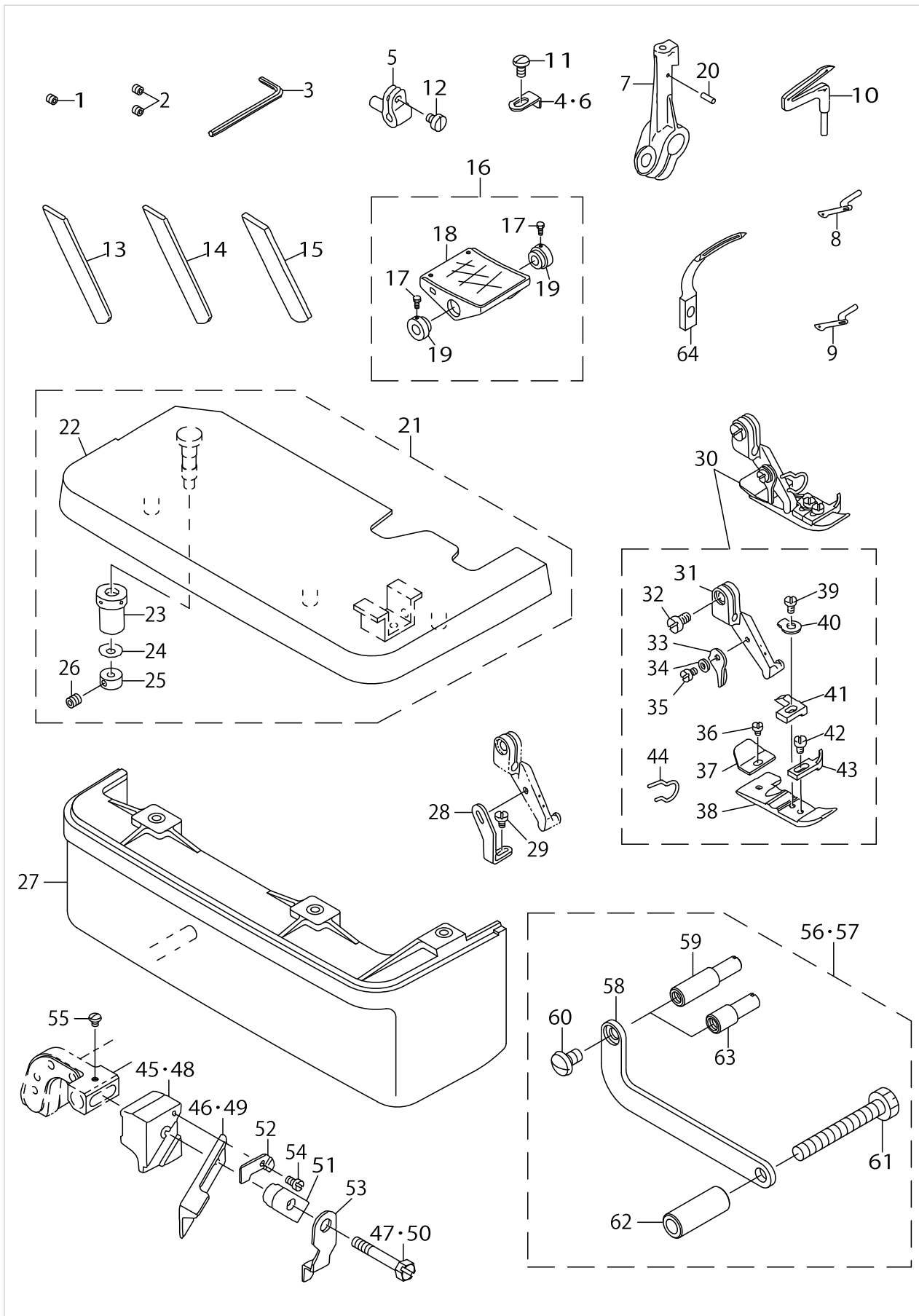
SPECIAL ORDER PARTS COMPONENTS



SPECIAL ORDER PARTS COMPONENTS

No.	Parts No.	Parts name	Remarks	Level	Cons	Qty
1	SS8080322TP	SCREW 1/8-44 L=3.2	FOR MO-6704DA			1
2	SS8080322TP	SCREW 1/8-44 L=3.2	FOR MO-6714DA,MO-6716DA			2
3	B9112804000	SPANNER				1
4	40030533	PRESSER FOOT AUXILIARY PLATE	FOR MO-6714DA			1
5	11544707	UPPER LOOPER SUPPORT ARM				1
6	11898103	PRESSER FOOT AUXILIARY PLATE	FOR MO-6704DA			1
7	12123709	LOWER LOOPER SUPPORT ARM				1
8	B2519804000	UPPER LOOPER	FOR MO-6704DA,MO-6716DA			1
9	B2519814000	UPPER LOOPER	FOR MO-6714DA			1
10	B2521804000	LOWER LOOPER				1
11	SS4080620TP	SCREW 1/8-44 L=6	FOR MO-6704DA,MO-6714DA			1
12	SS6080410SP	SCREW 1/8-44 L=4				1
13	11847605	LOWER KNIFE				1
14	11964509	CERAMIC LOWER KNIFE				1
15	11992005	LOWER KNIFE				1
16	11965753	PEDAL ASM.				1
17	SM9061203SE	SCREW M6 L=12		*		2
18	11965704	PEDAL		*		1
19	11965803	PEDAL THRUST COLLAR		*		2
20	PS0200062KH	SPRING PIN 2X6				1
21	12105458	CLOTH PLATE COMPL.	FOR MO-6716DA			1
22	12104550	CLOTH PLATE ASM.		*		1
23	11501301	ECCENTRIC BUSHING		*		1
24	WZ0420350KP	DISC SPRING		*		1
25	CS0400671SD	THRUST HOLDER		*		1
26	SM8040302TP	SETSCREW		*		1
27	11949104	CLOTH BASE COVER	FOR MO-6716DA			1
28	B1539804000	PRESSER FOOT FIXING PLATE	FOR MO-6704DA,MO-6714DA			1
29	SS6060410TP	SCREW 3/32-56 L=3.5	FOR MO-6704DA,MO-6714DA			1
30	12152468	PRESSER FOOT (FINGER GUARD)	FOR MO-6714DA			1
31	11872009	PRESSER FOOT HINGE		*		1
32	SS6090670TP	SCREW 9/64-40 L=6		*		1
33	B1530804000	STOPPER		*		1
34	WP0250516SD	WASHER 2.5X6X0.5		*		1
35	SS7060610SP	SCREW 3/32-56 L=5.5		*		1
36	SS6060210SP	SCREW 3/32-56 L=1.9		*		1
37	B1511814000	REAR PRESSER FOOT		*		1
38	B150781400P	PRESSER FOOT		*		1
39	SS7080520SP	SCREW 1/8-44 L=4.9		*		1
40	B150880400B	SPRING		*		1
41	12160008	STITCH TONGUE		*		1
42	SS6060440TP	SCREW 3/32-56 L=3.5		*		1
43	B1510814000	CURL GUARD		*		1
44	13178306	FINGER GUARD		*		1
45	11598000	UPPER KNIFE SUPPORT	FOR MO-6704DA,MO-6714DA			1
46	11845807	UPPER KNIFE	FOR MO-6704DA,MO-6714DA			1
47	SS9111610SP	SCREW 11/64-40 L=16	FOR MO-6704DA,MO-6714DA			1

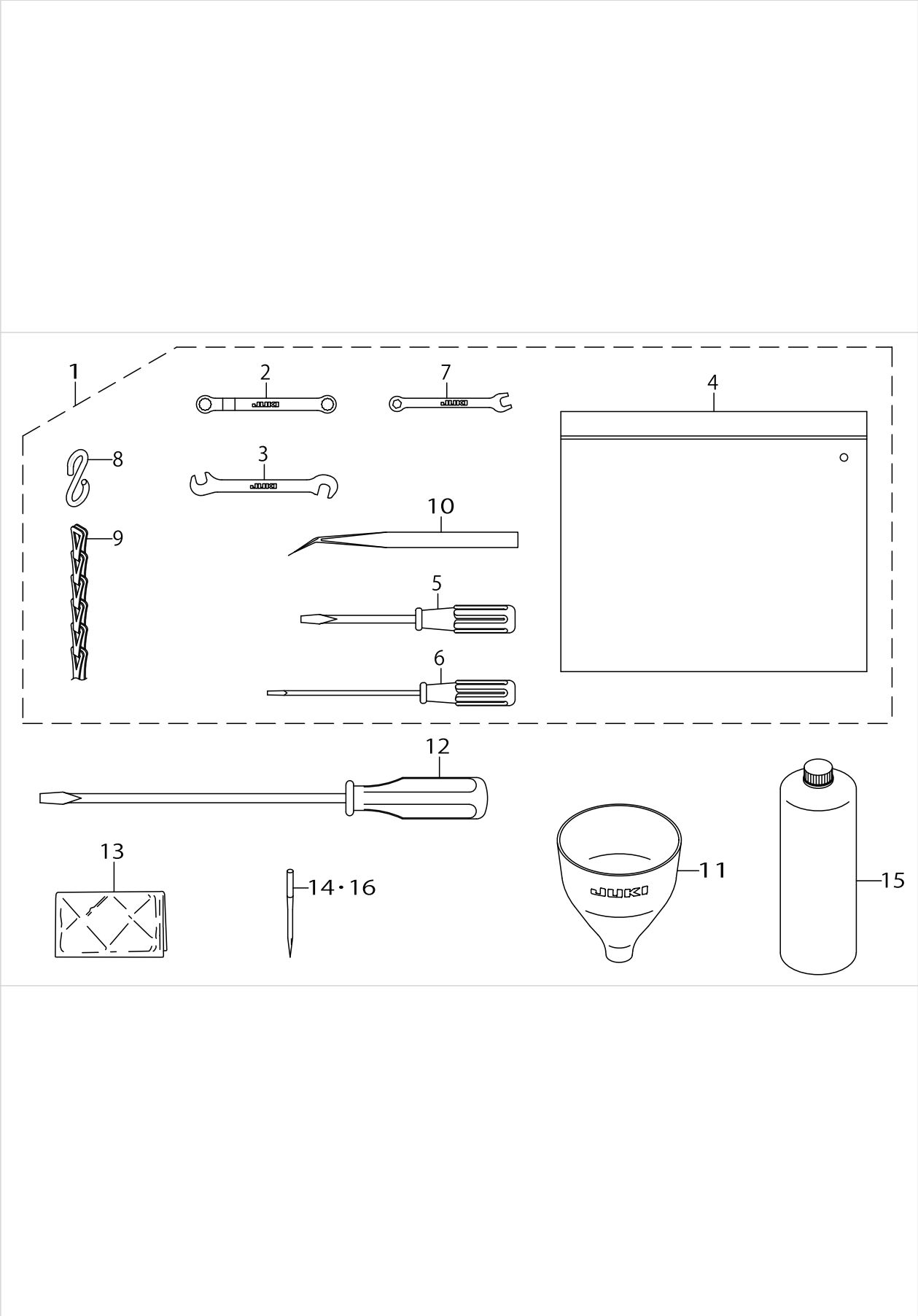
SPECIAL ORDER PARTS COMPONENTS



SPECIAL ORDER PARTS COMPONENTS

No.	Parts No.	Parts name	Remarks	Level	Cons	Qty
48	11845500	UPPER KNIFE SUPPORT	FOR MO-6716DA			1
49	11845906	UPPER KNIFE	FOR MO-6716DA			1
50	SS9112310SP	SCREW 11/64-40 L=23	FOR MO-6716DA			1
51	11565504	UPPER KNIFE PRESSER PLATE	FOR MO-6716DA			1
52	11565702	WASHER				1
53	11848405	UPPER KNIFE COVER				1
54	SS4060310SP	SCREW 3/32-56 L=2.5				1
55	SS4060310SP	SCREW 3/32-56 L=2.5				1
56	40025294	SYNCHRONIZER STOPPER ASM.				1
57	40011755	SYNCHRONIZER TURN STOPPER ASM.	FOR SC-380			1
58	40011757	SYNCHRONIZER STOPPER BASE		*		1
59	40022255	SYNCHRONIZER STOPPER		*		1
60	SS5120810SP	SCREW		*		1
61	SS9154540SP	SCREW 15/64-28 L=45		*		1
62	40011758	SYNCHRONIZER BASE COLLAR		*		1
63	40011756	SYNCHRONIZER STOPPER	FOR SC-380	*		1
64	12120713	CHAIN LOOPER	FOR MO-6716DA			1

ACCESSORIES PARTS COMPONENTS



ACCESSORIES PARTS COMPONENTS

No.	Parts No.	Parts name	Remarks	Level	Cons	Qty
1	13160858	ACCESSORIE BAG ASM.				1
2	13160007	RING SPANNER		*		1
3	13160205	PIN SPANNER		*		1
4	22932800	ACCESSORIE BAG		*		1
5	22933105	SCREW DRIVER MIDDLE		*		1
6	12347308	SCREW DRIVER (SMALL)		*		1
7	13160106	SPANNER (5X6)		*		1
8	13160304	S SHAPED HOOK		*		2
9	13160403	CHAIN		*		1
10	12288403	TWEEZERS		*		1
11	13160601	FUNNEL				1
12	22933006	SCREW DRIVER LARGE				1
13	40048535	HEAD_COVER				1
14	MDC270B1104	NEEDLE DCX27 #11-4EA.				1
15	MML018900CA	JUKI MACHINE OIL 18				1
16	MDC270B0904	NEEDLE DCX27 #9-4EA.	FOR MO-6714DA (FOR SH)			1

HOW TO MAKE USE OF THIS PARTS LIST

- 1.As to "#01" and "#02" refer to the "Note" given at the bottom of the respective pages.
- 2.Codes on the "Qty" column
 - Each numeral indicates the number of parts required.
 - "0.1" and "2.5" indicate the length (in meters) of the respective parts.
- 3.Parentheses mean that the corresponding part is a subpart that constructs an assembly part.
- 4.Dotted lines on the Figures indicate assembly parts.

NUMERICAL INDEX OF PARTS

PART NO	PAGE	REF NO.	PART NO	PAGE	REF NO.	PART NO	PAGE	REF NO.
10753309	6	39	12015400	38	40	12341954	48	4
11151065	52	26	12104550	62	22	12342101	2	11
11151909	52	31	12105458	62	21	12347308	66	6
11155108	48	19	12109153	10	28	13100805	2	16
11155108	50	32	12116604	18	18~22	13100904	2	15
11155207	48	20	12116703	18	18~22	13101001	2	21
11155207	50	33	12116802	18	18~22	13101209	2	18
11157567	52	2	12116901	18	18~22	13101308	2	30
11159001	52	18	12117008	18	18~22	13101407	2	19
11159365	52	14	12118204	20	10	13101506	2	25
11246501	52	38	12118303	20	9	13101605	2	26
11246600	52	37	12120150	10	38	13101704	2	28
11501301	62	23	12120705	28	11	13101803	2	32
11517307	14	43	12120713	64	64	13101902	2	36
11544707	62	5	12121612	28	34	13102058	2	35
11565504	64	51	12122362	10	30	13102207	2	45
11565702	64	52	12123360	10	34	13102405	2	3
11566809	40	12	12123709	62	7	13102504	6	20
11598000	62	45·48	12129805	44	20	13102553	6	19
11845500	64	45·48	12129904	44	18	13102603	6	23
11845807	62	46·49	12132155	10	43	13102702	38	46
11845906	64	46·49	12152468	62	30	13102900	6	38
11847605	62	13	12153763	32	34	13103650	2	34
11848405	64	53	12156907	32	35	13103809	2	13
11872009	32	20	12160008	62	41	13103908	6	24
11872009	62	31	12162202	32	41	13104005	4	51
11876166	32	4	12164802	32	37	13104104	2	1
11876869	32	19	12167409	32	40	13104203	2	2
11890001	26	66	12167508	32	43	13104302	2	44
11890100	38	37	12167607	32	42	13104500	6	10
11890308	38	38	12167706	32	46	13104807	6	29
11898103	62	4·6	12167805	32	38	13104906	10	20
11949104	62	27	12176103	26	64	13107602	10	4
11959400	48	21	12177903	38	41	13107701	10	10
11959558	50	15	12257002	14	45	13107800	10	6
11960655	52	1	12288403	66	10	13108006	10	23
11960754	52	13	12288700	30	33	13108105	10	24
11964509	62	14	12288908	38	7	13108204	10	25
11965704	62	18	12340402	24	33	13108303	10	27
11965753	62	16	12340501	26	48	13108402	10	8
11965803	62	19	12340600	24	25	13108501	10	9
11991908	26	63	12340709	24	27	13110101	14	5
11992005	62	15	12341806	48	16	13110200	14	22
11999307	26	65	12341806	50	25	13110259	14	21
12015301	38	39	12341905	48	5	13110507	14	2

NUMERICAL INDEX OF PARTS

PART NO	PAGE	REF NO.	PART NO	PAGE	REF NO.	PART NO	PAGE	REF NO.
13110556	14	1	13120902	20	29	13128202	34	31
13110705	14	24	13121009	20	31	13128301	34	32
13110804	14	25	13121058	20	30	13128400	34	33
13110903	14	26	13121108	22	52	13128509	34	34
13111000	14	27	13121207	20	43	13128608	34	35
13111109	14	31	13121256	20	42	13128707	34	36
13111208	14	34	13121306	20	40	13129101	34	40
13111307	14	35	13121405	20	26	13129259	34	37
13111406	14	36	13121603	22	49	13129309	24	21
13111505	14	38	13121900	20	45	13129309	28	7
13111604	14	39	13122007	16	49~52	13129457	34	38
13111703	14	40	13122007	18	35~38	13129853	28	1
13115001	30	1	13122007	40	13~16	13129903	28	6
13115100	30	2	13122106	16	49~52	13129952	28	5
13115407	30	8	13122106	18	35~38	13131008	24	13
13115654	30	32	13122106	40	13~16	13131057	24	12
13115753	30	9	13122205	16	49~52	13131107	24	8
13115803	30	10	13122205	18	35~38	13131156	24	7
13115902	30	11	13122205	40	13~16	13131800	24	46
13116009	30	12	13122304	16	49~52	13132006	24	47
13116108	30	13	13122304	18	35~38	13132501	24	20
13116207	30	18	13122304	40	13~16	13132550	24	19
13116306	30	20	13122403	18	5	13132907	24	35
13116405	30	22	13122452	18	4	13137559	34	2
13116504	30	23	13122502	18	13	13137609	34	12
13116603	30	24	13122700	20	18	13137708	34	8~10
13116702	32	2	13122809	20	24	13137807	34	5~7
13116801	30	7	13123302	20	39	13137906	34	13
13116900	30	21	13123302	30	44	13138003	34	16
13117007	30	19	13125901	28	13	13138102	34	14
13117106	30	34	13125950	28	12	13138201	34	27
13117205	32	1	13126008	28	4	13138359	34	3
13118054	18	1	13126354	28	9	13138409	34	8~10
13118708	18	16	13126503	28	19~22	13138508	34	5~7
13119300	18	14	13126602	28	19~22	13138656	34	4
13119409	18	23	13126701	28	19~22	13138706	34	8~10
13119508	18	24	13126800	28	19~22	13138805	34	5~7
13119607	18	25	13126909	28	3	13138904	34	11
13119706	18	39	13127006	28	17	13139555	34	20
13119805	18	42	13127105	28	18	13139605	34	22
13119904	18	33	13127204	28	23~26	13139704	34	25
13119953	18	32	13127303	28	23~26	13139803	34	24
13120001	18	41	13127402	28	23~26	13139902	34	23
13120605	18	2	13127501	28	23~26	13140009	34	21
13120803	20	33	13128103	28	16	13142609	44	38

NUMERICAL INDEX OF PARTS

PART NO	PAGE	REF NO.	PART NO	PAGE	REF NO.	PART NO	PAGE	REF NO.
13142955	44	33	13155759	48	7	13172507	18	10
13143300	44	29	13155759	50	19	13172556	18	9
13143607	44	15	13155858	50	5	13172705	16	55
13143805	44	27	13155908	50	8	13172754	16	54
13144001	44	30	13156005	50	9	13172903	2	38
13147301	40	9	13156104	50	10	13175005	16	62
13147400	40	7	13156203	50	6	13175203	14	17
13147509	40	2	13156302	50	7	13178306	32	33
13147558	40	1	13156500	48	14	13178306	62	44
13148101	38	14	13160007	66	2	13178405	32	47
13148309	38	16	13160106	66	7	13191309	22	70
13148408	38	23	13160205	66	3	13191408	22	71
13148556	38	31	13160304	66	8	13191606	22	64
13148804	38	32	13160403	66	9	13192000	22	65
13148903	38	29	13160601	66	11	13192406	22	66
13149109	38	18	13160700	6	43	13192802	22	67
13149208	38	22	13160858	66	1	13193206	22	68
13149307	38	11	13160908	48	2	13193602	22	69
13149406	38	15	13160908	50	2	13200605	6	6
13149505	38	20·26	13161005	48	1	13200704	2	7
13149604	38	20·26	13161005	50	1	13200803	2	8
13149703	38	24	13161153	48	3	13200902	22	54
13149802	38	27	13161153	50	26	13201009	6	12
13149901	38	33	13162557	42	6	13201108	6	28
13150503	40	17	13162565	42	7	13201207	6	33
13150602	40	18	13162573	42	8	13201306	6	32
13150701	38	45	13162805	42	18	13201405	6	16
13150800	40	11	13162904	42	20	13201454	6	15
13150909	40	5	13163001	42	21	13201603	2	42
13151006	40	6	13163159	42	15	13204003	6	35
13151105	38	35	13163167	42	16	13204003	26	50
13151204	38	5	13163175	42	17	13205406	10	19
13151303	40	4	13163456	42	1	13207808	14	20
13155007	48	15	13163803	42	2	13208103	16	60
13155106	50	17	13163902	42	3	13208707	14	30
13155205	50	18	13170006	6	9	13208806	14	28
13155304	50	27	13170105	6	21	13208905	14	29
13155403	48	13	13170204	6	11	13209804	14	7
13155403	50	16	13170204	20	34	13209853	14	6
13155502	48	10	13170303	10	14	13212501	30	39
13155502	50	22	13170402	30	37	13212709	30	35
13155601	48	8	13170501	22	48	13212808	30	41
13155601	50	20	13170600	24	16	13212915	30	43
13155700	48	9	13170808	44	34	13213012	20	38
13155700	50	21	13171004	6	22	13213012	30	42

NUMERICAL INDEX OF PARTS

PART NO	PAGE	REF NO.	PART NO	PAGE	REF NO.	PART NO	PAGE	REF NO.
13215157	20	1	13244108	18	30	40017824	10	41
13215306	20	4	13343009	44	4	40022255	64	59
13215405	20	5	22901805	6	37	40023234	10	2
13215504	20	6	22921407	34	26	40023235	10	1
13215603	20	7	22924708	6	8	40025294	64	56-57
13215702	20	11	22932800	66	4	40025334	44	9
13215801	20	17	22933006	66	12	40030533	62	4-6
13215900	20	13	22933105	66	5	40032545	14	44
13216007	20	14	23630007	44	40	40032552	14	19
13216106	20	19	31018005	44	42	40032558	14	16
13216205	20	21	40004509	46	54	40032565	26	53
13216304	20	23	40004558	14	4	40032582	44	47
13216601	18	28	40004559	14	9~11	40034897	30	31
13216700	18	29	40004561	14	9~11	40035711	12	48
13216809	18	26	40004563	14	9~11	40037392	6	44
13217351	20	47	40004565	14	12~14	40040065	6	45
13217401	22	57	40004567	14	12~14	40048535	66	13
13217500	22	58	40004569	14	12~14	40085784	54	12
13217708	20	36	40004572	14	15	40085784	56	10
13217807	18	12-31	40004580	14	42	40085784	58	13
13217906	18	12-31	40004580	24	44	40085784	60	13
13218052	22	50	40004692	24	30~32	40085785	54	6
13218102	22	56	40004693	24	30~32	40085785	56	14
13220009	28	15	40004694	24	30~32	40085785	58	7
13221700	24	4~6	40004696	24	2	40085785	60	7
13221809	24	4~6	40004713	26	52	40085786	54	17
13221908	24	4~6	40004714	26	51	40085786	58	18
13222609	24	23	40004716	24	37~40	40085786	60	18
13222708	24	15	40004718	24	37~40	40085787	54	2
13225008	34	1	40004720	24	37~40	40085787	58	5
13225107	34	18-19	40004722	24	37~40	40085787	60	5
13228002	44	6	40004746	46	52	40085788	54	16
13228200	44	8	40004747	46	51	40085788	56	21
13228655	44	23	40004748	46	50	40085788	58	17
13228903	44	41	40004750	44	45	40085788	60	17
13229000	44	43	40004751	24	41	40085789	54	15
13229307	44	19	40004755	46	56	40085789	56	12
13229356	44	17	40010805	28	10	40085789	58	16
13230305	44	1	40011755	64	56-57	40085789	60	16
13232657	38	9-10	40011756	64	63	40085790	54	14
13232756	38	9-10	40011757	64	58	40085790	56	22
13235304	38	19	40011758	64	62	40085790	58	15
13240007	4	48~50	40016762	44	12	40085790	60	15
13240106	4	48~50	40016763	44	10	40085791	54	13
13240205	4	48~50	40017714	10	47	40085791	56	23

NUMERICAL INDEX OF PARTS

PART NO	PAGE	REF NO.	PART NO	PAGE	REF NO.	PART NO	PAGE	REF NO.
40085791	58	14	40106575	60	2	B1511814000	32	26
40085791	60	14	40106576	54	10	B1511814000	62	37
40085792	54	7	40106576	56	17	B1513816000	32	39
40085792	56	16	40106576	58	11	B1514816000	32	45
40085792	58	8	40106576	60	11	B1530804000	32	22
40085792	60	8	40106577	56	6	B1530804000	62	33
40085793	54	5	40106577	60	24	B1539804000	62	28
40085793	56	15	40106578	56	9	B1620804000	18	43
40085793	58	6	40106578	60	25	B2119816A00	28	27~31
40085793	60	6	40106579	54	11	B2119816B00	28	27~31
40085794	54	4	40106579	56	18	B2119816C00	28	27~31
40085794	56	4	40106579	58	12	B2119816D00	28	27~31
40085794	58	3	40106579	60	12	B2119816E00	28	27~31
40085794	60	3	40106580	54	9	B2202816000	34	39
40085795	54	3	40106580	56	20	B2519804000	62	8
40085795	56	3	40106580	58	10	B2519814000	62	9
40085795	58	4	40106580	60	10	B2521804000	62	10
40085795	60	4	40106581	58	9	B2530704000	26	54
40085796	54	20	40106581	60	9	B3013141H0A	44	46
40085796	56	13	40106582	54	8	B71140120A0	52	25
40085796	58	21	40106582	56	19	B81517710A0	52	27
40085796	60	22	40106590	54	1	B8152771000	52	39
40093342	24	10·11	40106591	58	1	B8153771000	52	40
40093344	24	10·11	40106593	56	1	B9112804000	62	3
40096181	30	4	40106604	60	1	BP30000010R	44	44
40096182	30	3	40109454	44	3	CM300200001	2	40
40096325	54	21	40109455	44	2	CM300200001	6	17
40096325	56	11	40150131	4	52	CM301300001	6	36
40096325	58	22	70002051	16	58	CM600100101	6	46
40096325	60	23	70002060	24	24	CS0400671SD	62	25
40096326	54	19	70002062	6	1	CS1031210SH	26	58
40096326	56	8	70002063	6	2	CS1031219SH	26	59
40096326	58	23	70002775	6	5	CS1111019SH	40	22
40096326	60	21	B1211804000	10	18	CS111101HSH	40	21
40096327	54	18	B1212704000	10	17	D8113555B00	52	33
40096327	56	5	B1215804000	10	21·22	D8204555D00	48	22
40096327	58	20	B1507804C00	32	12	D8204555D00	50	34
40096327	60	20	B150781400P	32	27	GPF06060000	52	15
40099082	24	29	B150781400P	62	38	GPF06070000	52	16
40102307	2	41	B150880400B	32	29	GPF06080000	52	17
40106574	56	7	B150880400B	62	40	MDC270B0900	14	18·53
40106574	58	19	B1509804C00	32	15	MDC270B0904	66	14·16
40106574	60	19	B150981400P	32	30	MDC270B1100	14	18·53
40106575	56	2	B1510814000	32	32	MDC270B1100	16	18·53
40106575	58	2	B1510814000	62	43	MDC270B1104	66	14·16

NUMERICAL INDEX OF PARTS

PART NO	PAGE	REF NO.	PART NO	PAGE	REF NO.	PART NO	PAGE	REF NO.
MML018900CA	66	15	SK3412001SE	56	28	SM6051202TP	28	14
NM6040002SC	54	25	SK3412001SE	60	30	SM6061200SP	24	17
NM6040002SC	56	30	SK3513200SC	48	26	SM6061200SP	30	27
NM6040002SC	58	27	SK3513200SC	50	31	SM6061202TP	10	37
NM6040002SC	60	32	SL9061291SE	52	24	SM6061402TP	14	8
NM6050001SE	54	26	SL9082091SE	52	22	SM6061402TP	18	6
NM6050001SE	56	29	SM1040801SC	2	10	SM6061402TP	30	5
NM6050001SE	58	28	SM1040801SC	6	13	SM6061402TP	40	3
NM6050001SE	60	31	SM4030455SP	20	16	SM6061802TP	44	21
NM6060003SC	30	25	SM4040655SP	2	31	SM8040302TP	2	39
NM6080001SE	52	21	SM4040855SP	2	43	SM8040302TP	62	26
NM6080600SM	50	29	SM4040855SP	6	14	SM8040402TP	30	38
NM6080721SE	52	32	SM4040855SP	10	26	SM8050412TP	30	30
NS6090310SN	2	5	SM4040855SP	14	41	SM8050412TP	44	5
NS6090310SP	48	12	SM4040855SP	20	35	SM9061203SE	52	34
NS6090310SP	50	24	SM4040855SP	42	5	SM9061203SE	62	17
NS6110310SP	44	32	SM4040855SP	46	48	SM9082023SE	52	28
NS6110420SP	2	46	SM4041055SP	2	17	SM9082513CF	50	28
NS6110420SP	30	26	SM4041055SP	22	60	SQ0000451MZ	44	25
NS6240630SE	48	23	SM4041055SP	46	49	SQ1110451MZ	44	36
NS6240630SE	50	40	SM4041201SC	54	22	SQ1150441SD	44	39
NS6620320SP	18	40	SM4041201SC	56	24	SQ1150451MZ	44	37
NS6680410SP	6	27	SM4041201SC	58	24	SQ1150454SD	44	26
PS0200052KH	34	28	SM4041201SC	60	26	SS1060610SP	20	20
PS0200062KH	62	20	SM4041455SN	18	27	SS2090520SL	2	4
PS0250062KH	28	32	SM4042501SC	54	23	SS2110910SL	38	4
PS0300062KH	24	18	SM4042501SC	56	26	SS3090610SP	2	6
PS0300142KH	30	16	SM4042501SC	58	26	SS4060310SP	64	55
R4200J6ED00	38	1	SM4042501SC	60	27	SS4080620TP	20	2
R4305J6EE00	38	2	SM4050855SP	10	7	SS4080620TP	28	36
R4508J6ED00	38	3	SM4050855SP	34	44	SS4080620TP	62	11
RE0300000K0	20	37	SM4050855SP	44	28	SS4090415SP	34	48
RE0300000K0	30	47	SM4051001SE	56	27	SS4090415SP	36	48
RE0500000K0	20	41	SM4051001SE	60	28	SS4090515SP	20	27
SB110000300	10	21-22	SM4051055SP	38	8	SS4090615SP	26	49
SD0280401SL	16	61	SM4051255SP	6	7	SS4091015SP	2	14
SD0600341TP	34	42	SM4051255SP	20	25	SS4091015SP	42	22
SD0640241SP	30	15	SM4051405SE	54	24	SS4110515SP	14	33
SD0720271SP	22	59	SM4051405SE	56	25	SS4110515SP	36	49
SD0720803TH	28	33	SM4051405SE	58	25	SS4110615SP	34	30
SK2351600SC	48	24	SM4051405SE	60	29	SS4112215SP	44	13
SK2351600SC	50	4	SM4051601SC	44	35	SS4120615SP	2	12
SK3311500SC	48	25	SM4060801SE	44	16	SS4120615SP	46	55
SK3311500SC	50	35	SM6040600SP	20	22	SS4151215SP	6	18
SK3412001SE	6	40	SM6051202TP	18	34	SS5080212TP	10	3

NUMERICAL INDEX OF PARTS

PART NO	PAGE	REF NO.	PART NO	PAGE	REF NO.	PART NO	PAGE	REF NO.
SS5090610SP	48	11	SS7060510SP	38	43	SS8660610TP	26	60
SS5090610SP	50	23	SS7060610SP	24	45	SS9090410TP	24	43
SS5110710SP	6	31	SS7060610SP	32	24	SS9090610TP	24	42
SS5110710SP	48	17	SS7060610SP	62	35	SS9090823TP	40	19
SS5110710SP	50	38	SS7080520SP	32	28	SS9111010SP	20	3
SS5120810SP	64	60	SS7080520SP	62	39	SS9111010SP	38	21
SS5150510SP	34	41	SS7090510SP	38	42	SS9111050SP	22	51
SS6060210SP	32	25	SS7090530SP	2	20	SS9111610SP	62	47·50
SS6060210SP	62	36	SS7090610SP	2	22	SS9112310SP	64	47·50
SS6060340SP	32	44	SS7090610SP	38	44	SS9151210TP	24	22
SS6060410TP	62	29	SS7090610SP	42	19	SS9151210TP	28	8
SS6060440TP	24	1	SS7090611SL	6	34	SS9154540SP	64	61
SS6060440TP	32	31	SS7090710SP	38	25	SS9681610TP	10	12
SS6060440TP	46	53	SS7090850SP	24	26	ST60308210A	50	13
SS6060440TP	62	42	SS7091410SP	2	33	TA0800504R0	22	53
SS6080320SP	18	15	SS7110510SP	2	27	TA0800504R0	26	67
SS6080340SP	22	55	SS7110510SP	30	14	TA0950806R0	42	4
SS6080340SP	30	17	SS7110710SL	34	29	TA1030402R0	18	7
SS6080410SP	24	28	SS7110710SP	2	29	TA1450404R0	8	47
SS6080410SP	62	12	SS7110720SP	38	13	TA1871602R0	6	41
SS6080720SP	14	23	SS7110720TP	28	39	TA2050416R0	18	8
SS6081210TP	10	42	SS7110840SP	10	46	TA2050805R0	6	42
SS6090420SP	50	11	SS7110840SP	24	36	WP0250516SD	32	23
SS6090620TP	20	8	SS7110840SP	30	28	WP0250516SD	62	34
SS6090620TP	26	61	SS7110840SP	38	36	WP0370316SD	40	20
SS6090620TP	28	37	SS7110840SP	42	24	WP0370316SD	50	14
SS6090630TP	26	62	SS7110910TP	18	17	WP0371016SD	20	28
SS6090630TP	48	27	SS7111410TP	10	40	WP0371026SD	42	23
SS6090630TP	50	37	SS7111410TP	30	29	WP0460556SD	22	61
SS6090650SP	32	36	SS7111810TP	10	44	WP0460556SD	30	46
SS6090670TP	14	37	SS7150740SP	30	45	WP0480856SP	22	62
SS6090670TP	32	21	SS7151120SP	38	30	WP0531001SC	54	28
SS6090670TP	62	32	SS7161040SP	30	6	WP0531001SC	56	31
SS6090810SP	44	14	SS8080310TP	14	48	WP0531001SC	58	30
SS6110610TP	38	17	SS8080310TP	16	48	WP0531001SC	60	33
SS6110710TP	28	38	SS8080322TP	62	2	WP0621016SD	22	63
SS6111040SP	40	8	SS8090530TP	16	59	WP0651056SD	44	22
SS6111440SP	2	47	SS8110410TP	2	24	WP0671016SE	52	36
SS6111610SP	40	10	SS8110410TP	18	11	WP0751576SD	6	25
SS6121020SP	30	40	SS8110410TP	20	44	WP0764016SP	10	13
SS6121220TP	18	3	SS8110410TP	34	17	WP0850002SC	50	30
SS6151440SP	38	34	SS8151150TP	10	5	WP0871602SE	52	30
SS6661110SP	20	46	SS8660330SP	20	32	WP1002036SE	48	28
SS7060310SP	20	12	SS8660330SP	40	23	WP1002036SE	50	39
SS7060510SP	32	3	SS8660610TP	16	56	WP1612616SE	54	27

NUMERICAL INDEX OF PARTS

PART NO	PAGE	REF NO.
WP1612616SE	56	32
WP1612616SE	58	29
WP1612616SE	60	34
WS0510002KN	54	29
WS0510002KN	56	33
WS0510002KN	58	31
WS0510002KN	60	35
WS0621210KR	52	35
WS0822010KP	6	26
WS0861410KR	52	29
WS1002560KR	48	29
WS1002560KR	50	36
WZ0420350KP	2	37
WZ0420350KP	62	24
WZ0640312K0	34	43
WZ0850302K0	6	30
WZ2640310KH	10	15