

MODEL : MO-6700DA SUBCLASSES

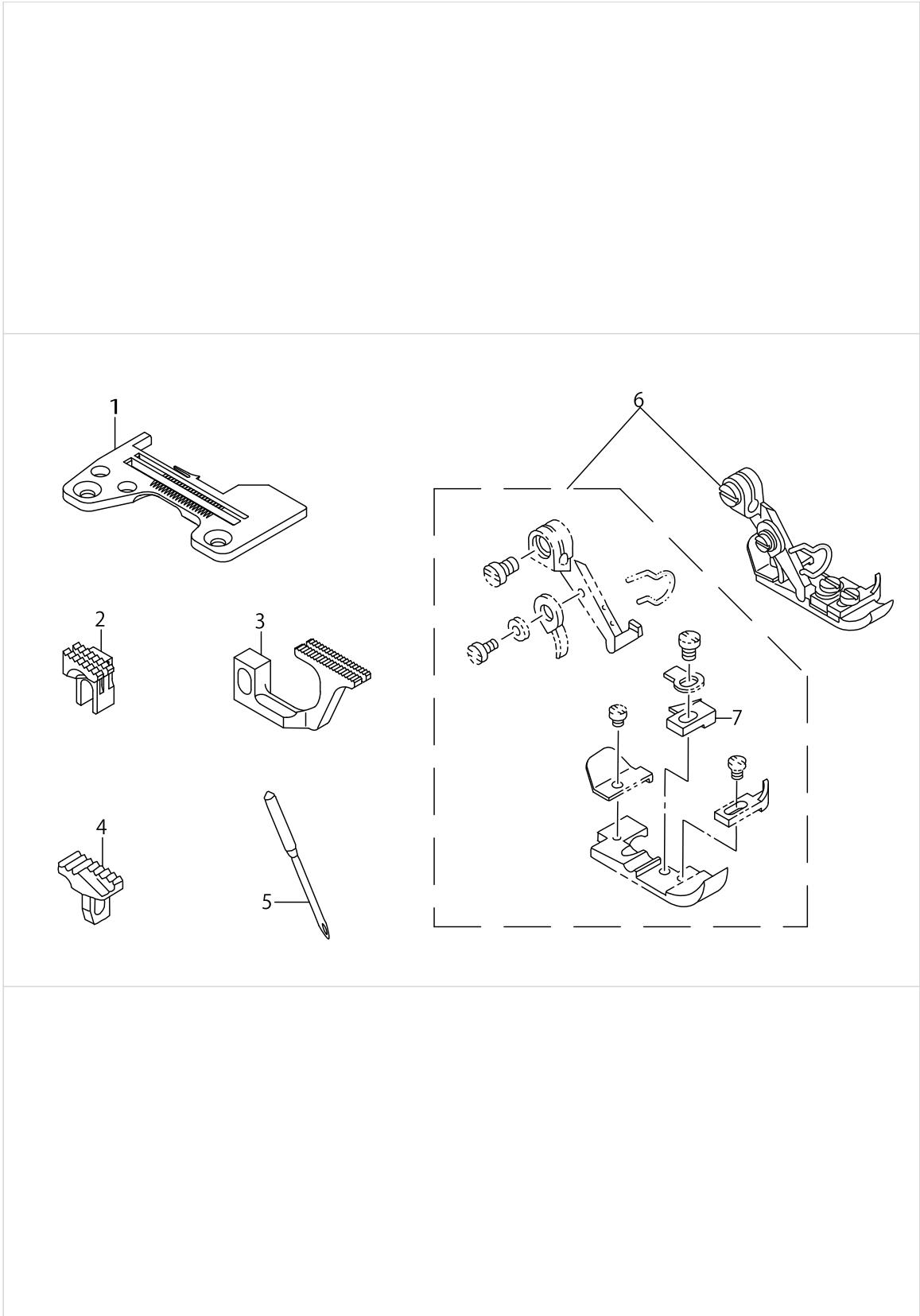
List No : 1433-05

PARTS LIST

Published:09/10/2017

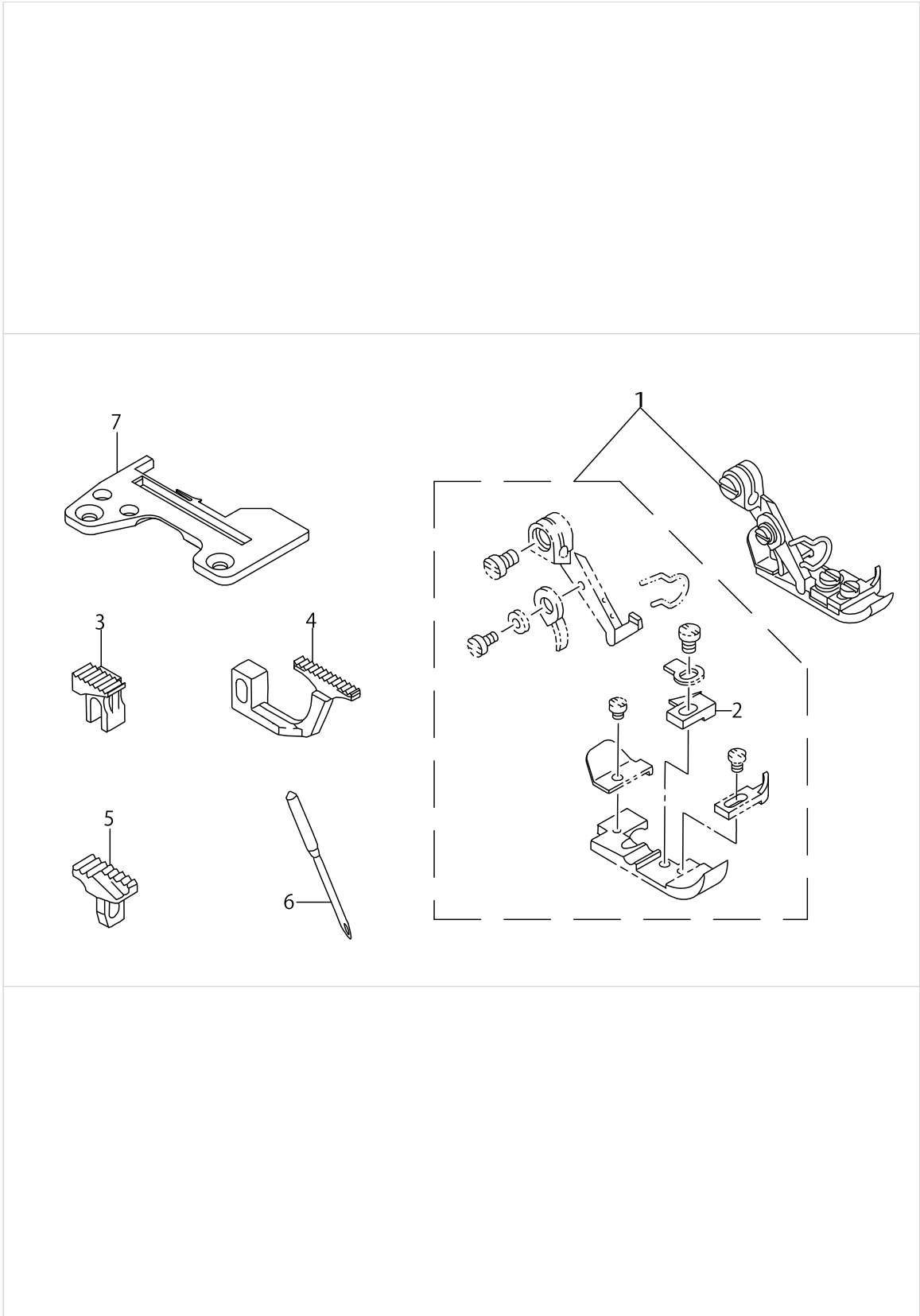
CONTENTS

MO-6704DA-0A4-150.....	1
MO-6704DA-0A5-150.....	3
MO-6712DA-DF6-50F	5
MO-6714DA-BB6-30P,MO-6714DA-BD6-30P,MO-6714DA-BE6-30P	7
MO-6714DA-BE6-327/S162.....	9
MO-6714DA-BD6-347/G-39/Q141,MO-6714DA-BE6-347/G-39/Q141.....	13
MO-6704DA-0E4-40H.....	15
MO-6705DA-0D4-210/L121	17
MO-6714DA-BE6-24H/G-39/Q141,MO-6714DA-BD6-34H/G-39/Q141,MO-6714DA-BE6-34H/..	19
G-39/Q141,MO-6714DA-BE6-44H/G-39/Q141,MO-6714DA-BD6-24H/G-39/Q141	
MO-6714DA-BE6-H20,MO-6714DA-BE6-40H.....	21
MO-6704DA-0E4-307,MO-6704DA-0F4-307.....	23
MO-6704DA-0F6-50H.....	25
MO-6716DA-DE4-30P,MO-6716DA-FF4-30P	27
MO-6745DA-FF4-360/N077	29
MO-6716DA-DE4-40H,MO-6716DA-DE4-40H/E35,MO-6716DA-DE6-40H	33
MO-6716DA-FF6-40H	35
MO-6716DA-FF6-50H,MO-6716DA-FH6-50H	37
MO-6716DA-FF6-42H/S159 (1).....	39
MO-6716DA-FF6-42H/S159 (2).....	41
MO-6743DA-1D6-40H	45
MO-6743DA-2D6-40H	49
MO-6716DA-DE6-307,MO-6716DA-DF4-307	53
MO-6716DA-FF6-307.....	55
MO-6714DA-BE6-207,MO-6714DA-BD6-207.....	57
HOW TO MAKE USE OF THIS PARTS LIST	59



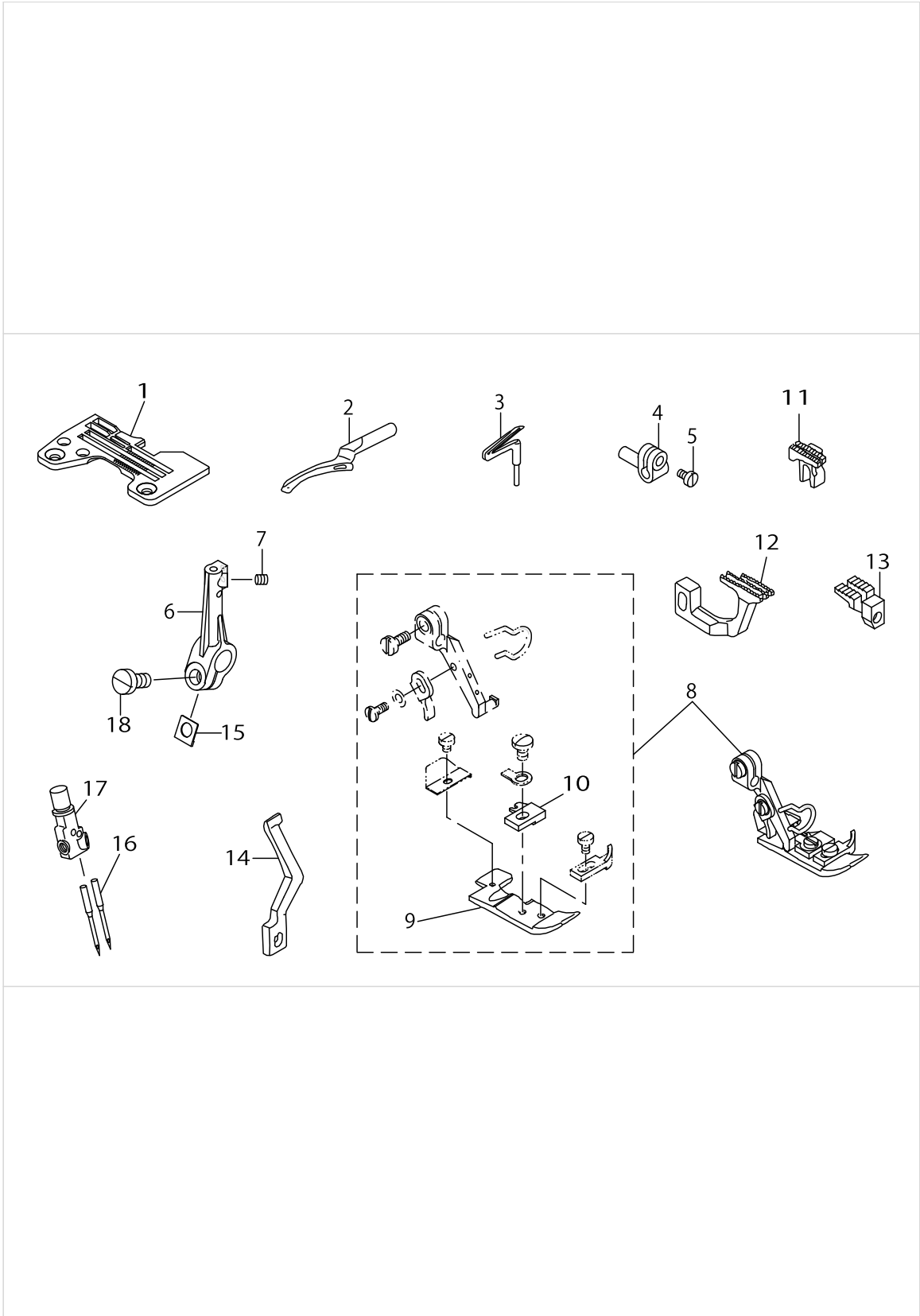
MO-6704DA-0A4-150

No.	Parts No.	Parts name	Remarks	Level	Cons	Qty
1	R4200J6AC00	THROAT PLATE				1
2	11898905	MAIN FEED DOG				1
3	11899002	DEFERENTIAL FEED DOG				1
4	11887007	AUXILIARY FEED DOG				1
5	MDC100B0800	NEEDLE DCX1 #8				1
6	11876067	PRESSER FOOT ASM.				1
7	11792900	STITCH TONGUE		*		1



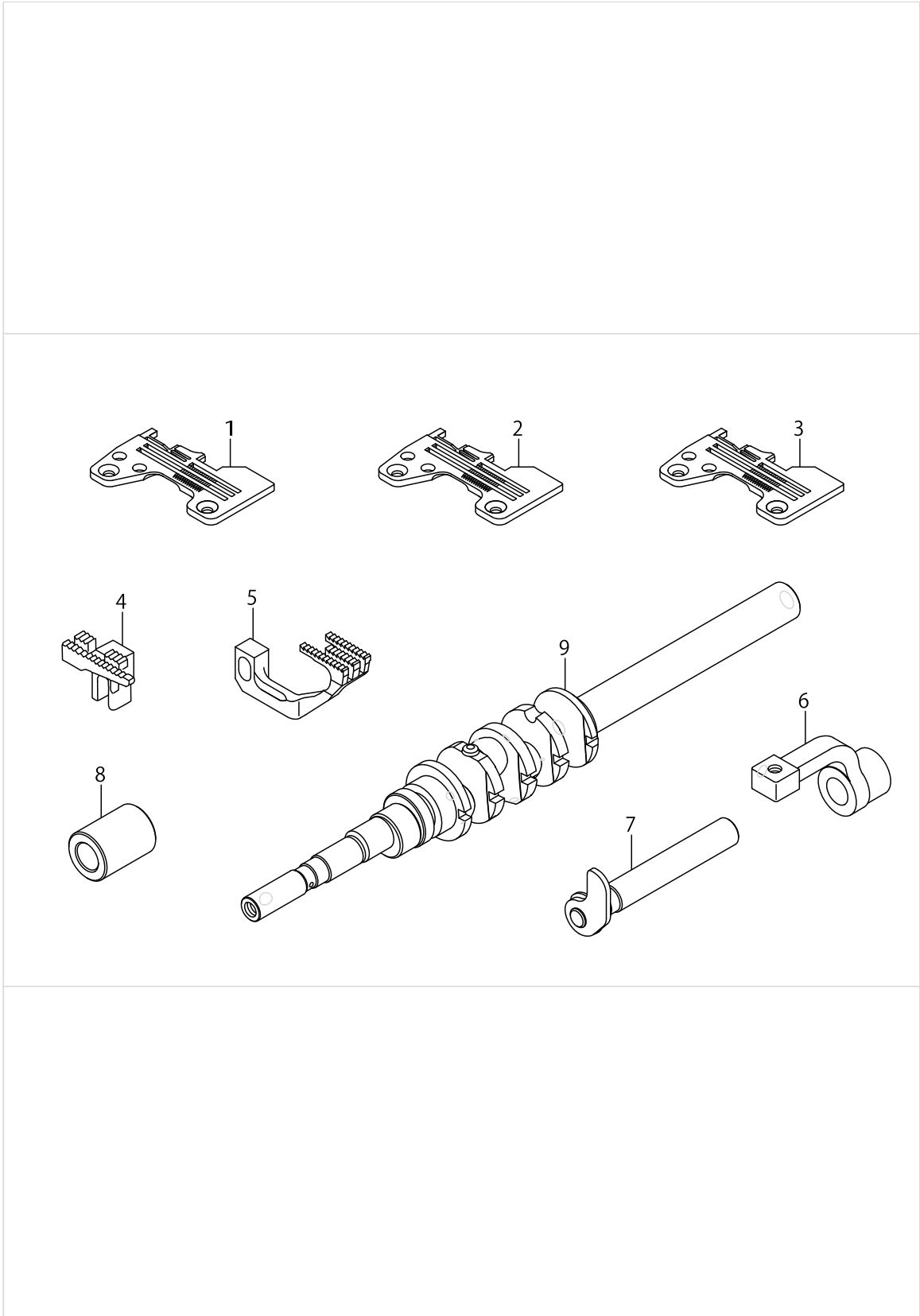
MO-6704DA-0A5-150

No.	Parts No.	Parts name	Remarks	Level	Cons	Qty
1	11876067	PRESSER FOOT ASM.				1
2	11792900	STITCH TONGUE		*		1
3	11882008	MAIN FEED DOG				1
4	11885001	DIFFERENTIAL FEED DOG				1
5	11887007	AUXILIARY FEED DOG				1
6	MDC100B0800	NEEDLE DCX1 #8				1
7	R4100J6AC00	THROAT PLATE				1



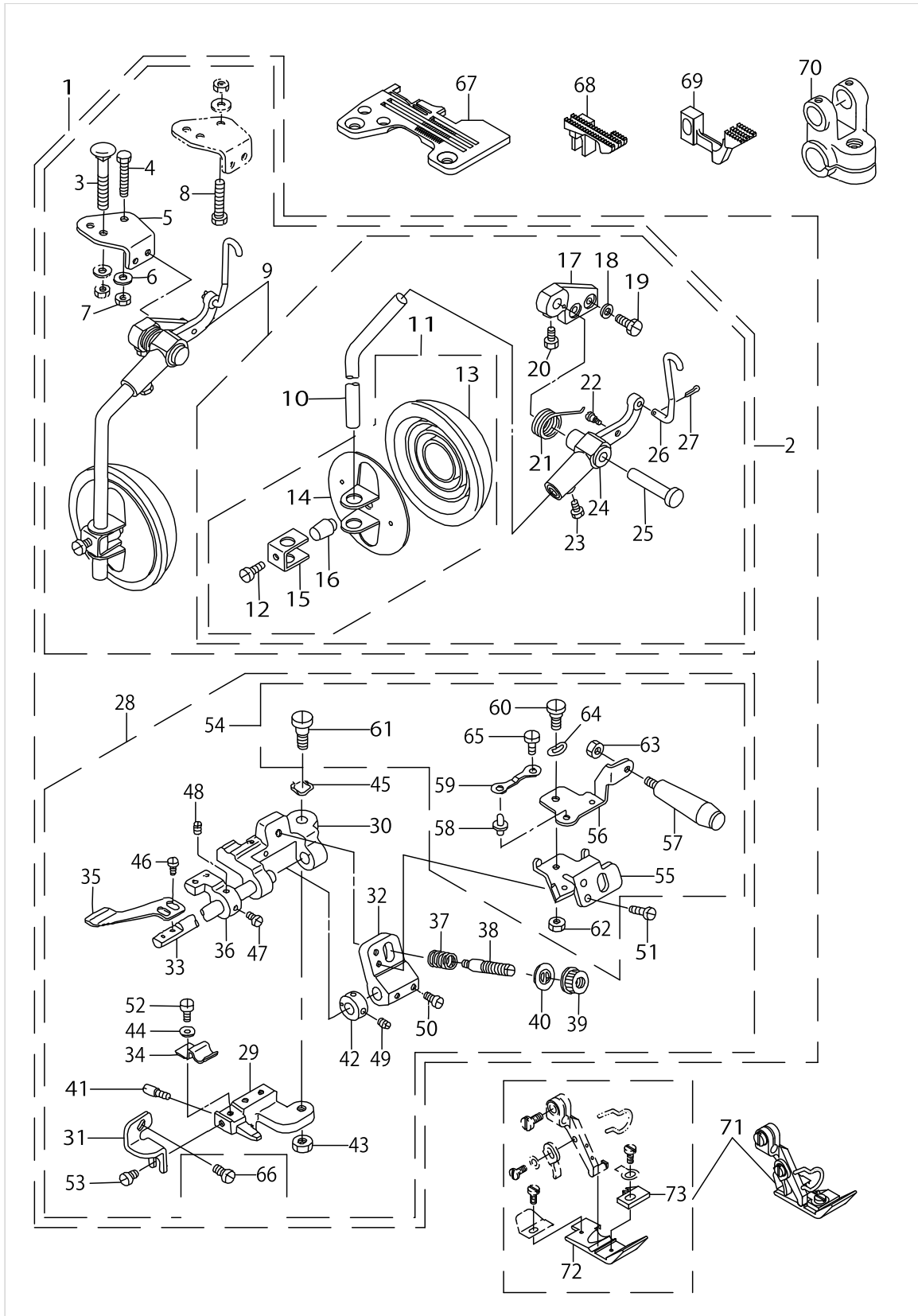
MO-6712DA-DF6-50F

No.	Parts No.	Parts name	Remarks	Level	Cons	Qty
1	R4308J6FE0B	THROAT PLATE				1
2	11996600	UPPER LOOPER				1
3	11995206	LOWER LOOPER				1
4	11544707	UPPER LOOPER SUPPORT ARM				1
5	SS6080410SP	SCREW 1/8-44 L=4				1
6	12123709	LOWER LOOPER SUPPORT ARM				1
7	SS8110422TP	SCREW 11/64-40 L=4				1
8	11877164	PRESSER FOOT ASM.				1
9	11790508	PRESSER FOOT		*		1
10	11790607	STITCH TONGUE		*		1
11	11882503	MAIN FEED DOG				1
12	11790706	DIFFERENTIAL FEED DOG				1
13	11987005	AUXILIARY FEED DOG				1
14	11890407	NEEDLE GUARD				1
15	13129309	WASHER				1
16	MDC270B1400	NEEDLE DCX27 #14				2
17	12149407	NEEDLE CLAMP, 2-NEEDLE				1
18	SS9151210TP	SCREW 15/64-28 L=11.8				1

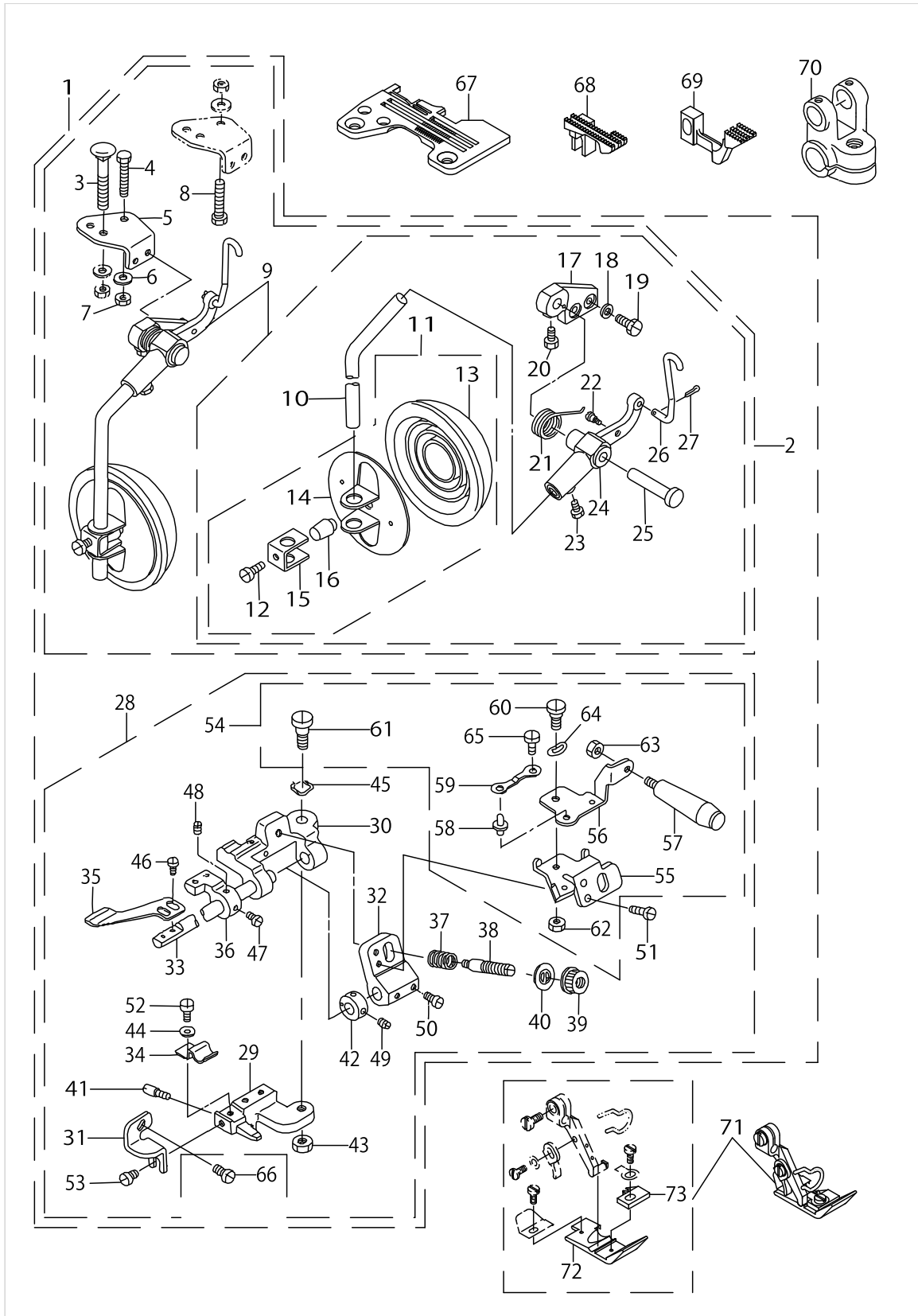


MO-6714DA-BB6-30P,MO-6714DA-BD6-30P,MO-6714DA-BE6-30P

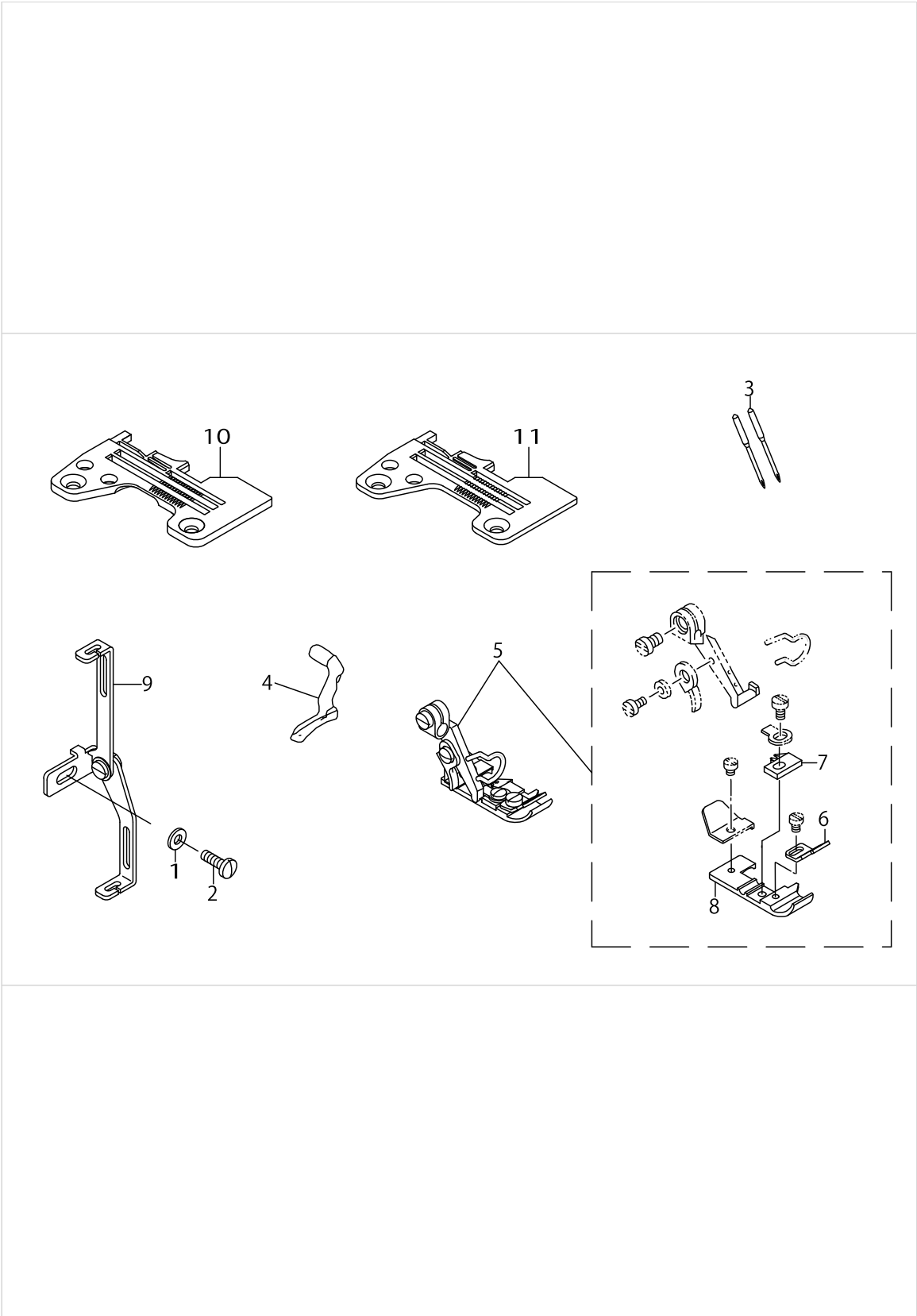
No.	Parts No.	Parts name	Remarks	Level	Cons	Qty
1	R4305J6BE0A	THROAT PLATE	FOR MO-6714DA-BB6-30P			1
2	R4305J6DE0A	THROAT PLATE	FOR MO-6714DA-BD6-30P			1
3	R4305J6EE0B	THROAT PLATE	FOR MO-6714DA-BE6-30P			1
4	12171500	MAIN FEED DOG				1
5	12172003	DIFF,FEED DOG				1
6	12115515	PRESSER SHAFT ARM				1
7	12115655	PRESSER SHAFT ASM.				1
8	12115812	PRESSER SHAFT METAL				1
9	40032592	MAIN SHAFT ASM. (30P)				1



No.	Parts No.	Parts name	Remarks	Level	Cons	Qty
1	MAS162000A0	GATHERING DEVICE ASM.				1
2	MAS107010A0	KNEE OPERATING DEVICE ASM.		*		1
3	MAS10704000	BOLT	FOR SEMI-SUNKEN TYPE TABLE (FOR EXPORT)	*		1
4	SM9083013SC	SCREW M8 L=30	FOR SEMI-SUNKEN TYPE TABLE	*		1
5	MAS10701000	INSTALLING PLATE		*		1
6	WP0850002SC	WASHER 8.5X18X1.6	FOR SEMI-SUNKEN TYPE TABLE	*		1
7	NM6080600SM	NUT M8	FOR SEMI-SUNKEN TYPE TABLE	*		1
8	SM9084533SC	SCREW M8 L=45	FOR FULLY-SUNKEN TYPE TABLE	*		2
9	MAS107010C0	KNEE PRESS PLATE ASM.		*		1
10	MAS10702000	ROD		*		1
11	11023751	KNEE PRESS PLATE ASM.		*		1
12	SM9061203SE	SCREW M6 L=12		*		1
13	22934509	KNEE PAD PLATE COVER		*		1
14	22934202	KNEE PAD PLATE		*		1
15	22934301	KNEE PAD PLATE SUPPORT		*		1
16	22934400	KNEE PAD PLATE RUBBER		*		1
17	MAS10501000	LEVER INSTALLING BASE		*		1
18	WP0740516SP	WASHER 7.4X11.8X0.5		*		2
19	SS9681610TP	SCREW 9/32-28 L=16		*		2
20	SS9151210TP	SCREW 15/64-28 L=11.8		*		1
21	MAS10503000	SPRING		*		1
22	SD0550501SP	HINGE SCREW D=5.5 H=5		*		1
23	SS9151210TP	SCREW 15/64-28 L=11.8		*		1
24	MAS10502000	LEVER		*		1
25	MAS10504000	PIN		*		1
26	MAS10703000	CONNECTING ROD		*		1
27	PD02010000D	SPLIT PIN 1.8X10		*		1
28	MAS162010A0	PEDAL SHIRRING ATTACHMENT ASM.		*		1
29	MAS15901000	PRESSER PLATE BASE		*		1
30	MAS15902000	SWING BASE		*		1
31	MAS15903000	BRACKET		*		1
32	MAS15904000	ARM		*		1
33	MAS15905000	SHAFT		*		1
34	MAS15911000	SPRING		*		1
35	MAS05208000	INTERMITTENT SHIRRING PLATE		*		1
36	MAS05212000	PIPING MOUNTING BLOCK		*		1
37	MAS05205000	SPRING		*		1
38	B3105804000	TENSION POST		*		1
39	B3116125000	TENSION NUT		*		1
40	B3120125000	ROTATING STOPPER		*		1
41	MAS05202000	SCREW		*		1
42	CS0790811SP	THRUST COLLAR D=7.94 W=8		*		1
43	NS6160520SP	NUT 1/4-24		*		1
44	WP0480856SP	WASHER 4.8X8.4X0.8		*		1
45	WZ0850302K0	WAVED WASHER 8.5X12.5X0.3		*		1
46	SS6090650SP	SCREW 9/64-40 L=6		*		2

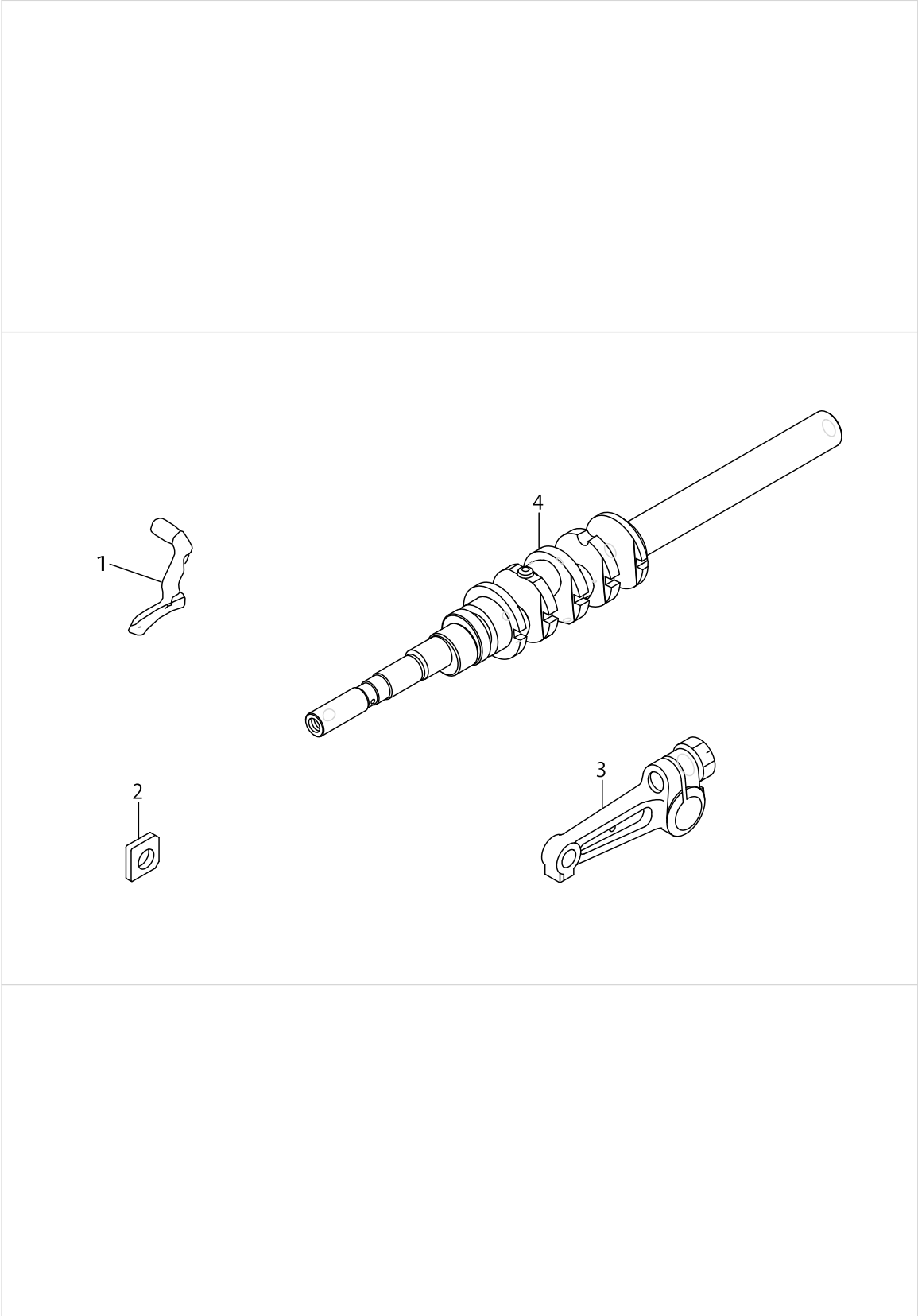


No.	Parts No.	Parts name	Remarks	Level	Cons	Qty
47	SS6110650TP	SCREW 11/64-40 L=5.5		*		1
48	SS8110520TP	SCREW 11/64-40 L= 4.5		*		1
49	SS8110520TP	SCREW 11/64-40 L= 4.5		*		2
50	SS6110710TP	SCREW 11/64-40 L= 6.5		*		2
51	SS4090715SP	SCREW 9/64-40 L=7		*		2
52	SS7110710SP	SCREW 11/64-40 L=7		*		1
53	SS7110720SP	SCREW 11/64-40 L=7		*		1
54	MAS159060A0	LIFTING ARM ASM.		*		1
55	MAS15906000	LIFTING ARM		*		1
56	MAS15907000	MANUAL LEVER ARM		*		1
57	MAS15915000	MANUAL LEVER		*		1
58	MAL12115000	ARM FIXING PLATE STOPPER		*		1
59	MAL12116000	FIXING PLATE STOPPER SPRING		*		1
60	SD0600352SP	HINGE SCREW		*		1
61	SD0790801SP	HINGE SCREW D=7.94 H=8		*		1
62	NS6110350SP	NUT 11/64-40		*		1
63	NM6050001SP	NUT M5		*		1
64	WZ0640312K0	WAVED WASHER		*		1
65	SS7110340SP	SCREW 11/64-40 L= 3.2		*		1
66	SS7110840SP	SCREW 11/64-40 L=7.8		*		1
67	R4305J6EE0A	THROAT PLATE				1
68	11883402	MAIN FEED DOG				1
69	12171807	DIFFERENTIAL FEED DOG				1
70	12119210	FORKED CRANK				1
71	11879368	PRESSER FOOT ASM.				1
72	11974102	PRESSER FOOT		*		1
73	B150981400P	STITCH TONGUE		*		1



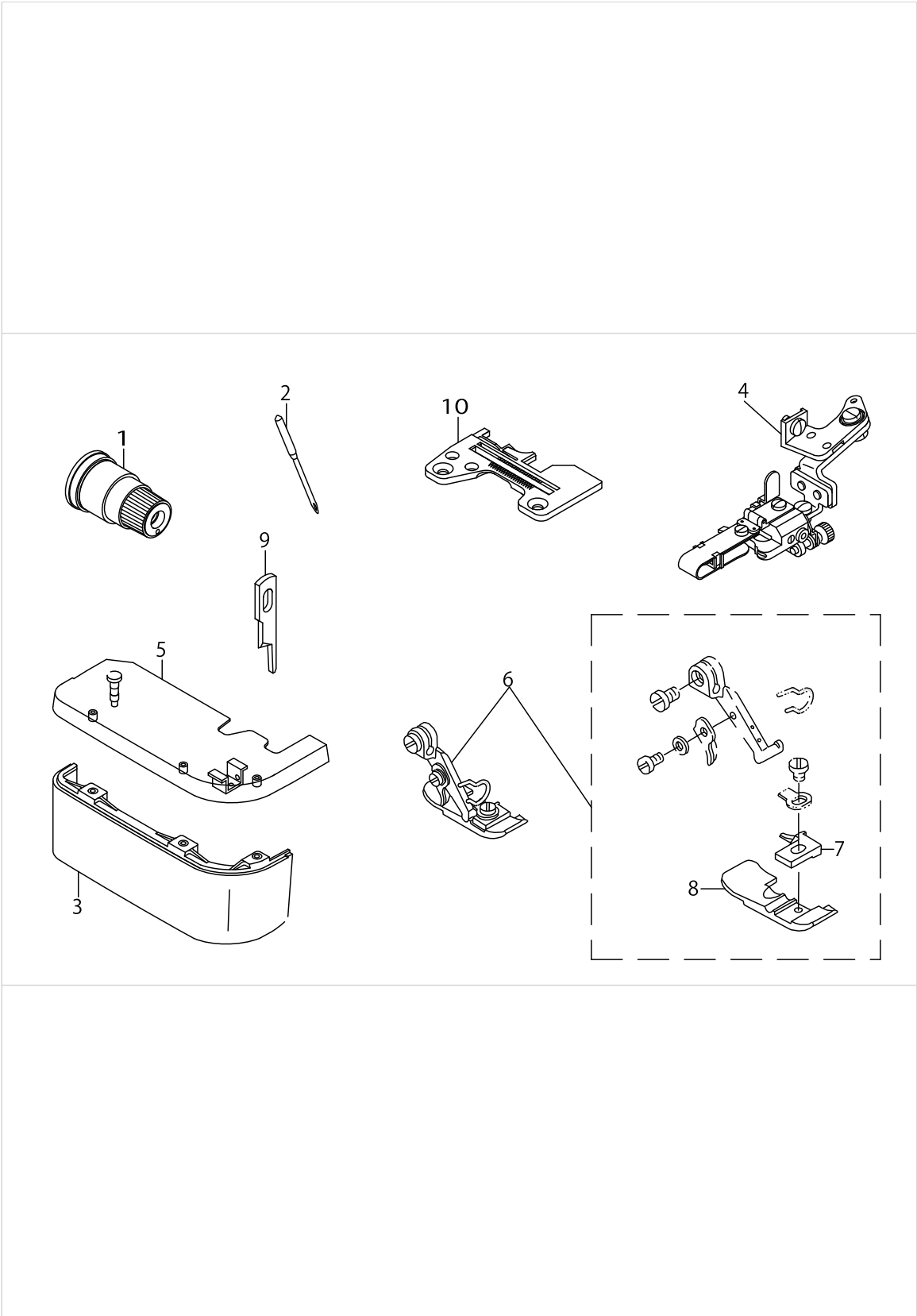
MO-6714DA-BD6-347/G-39/Q141,MO-6714DA-BE6-347/G-39/Q141

No.	Parts No.	Parts name	Remarks	Level	Cons	Qty
1	WP0371016SD	WASHER 3.7X8X1				1
2	SS7091110TP	SCREW 9/64-40 L=10.5				1
3	MDC270B1400	NEEDLE DCX27 #14				2
4	12176103	UPPER LOOPER				1
5	12152963	PRESSER FOOT ASM.				1
6	12160909	TAPE GUIDE		*		1
7	12160305	STITCH TONGUE		*		1
8	12158002	PRESSER FOOT		*		1
9	MAQ141000A0	TAPE GUIDE ASM.				1
10	R4305J6DE00	THROAT PLATE	FOR MO-6714DA-BD6-347/G-39/Q141			1
11	R4305J6EE00	THROAT PLATE	FOR MO-6714DA-BE6-347/G-39/Q141			1



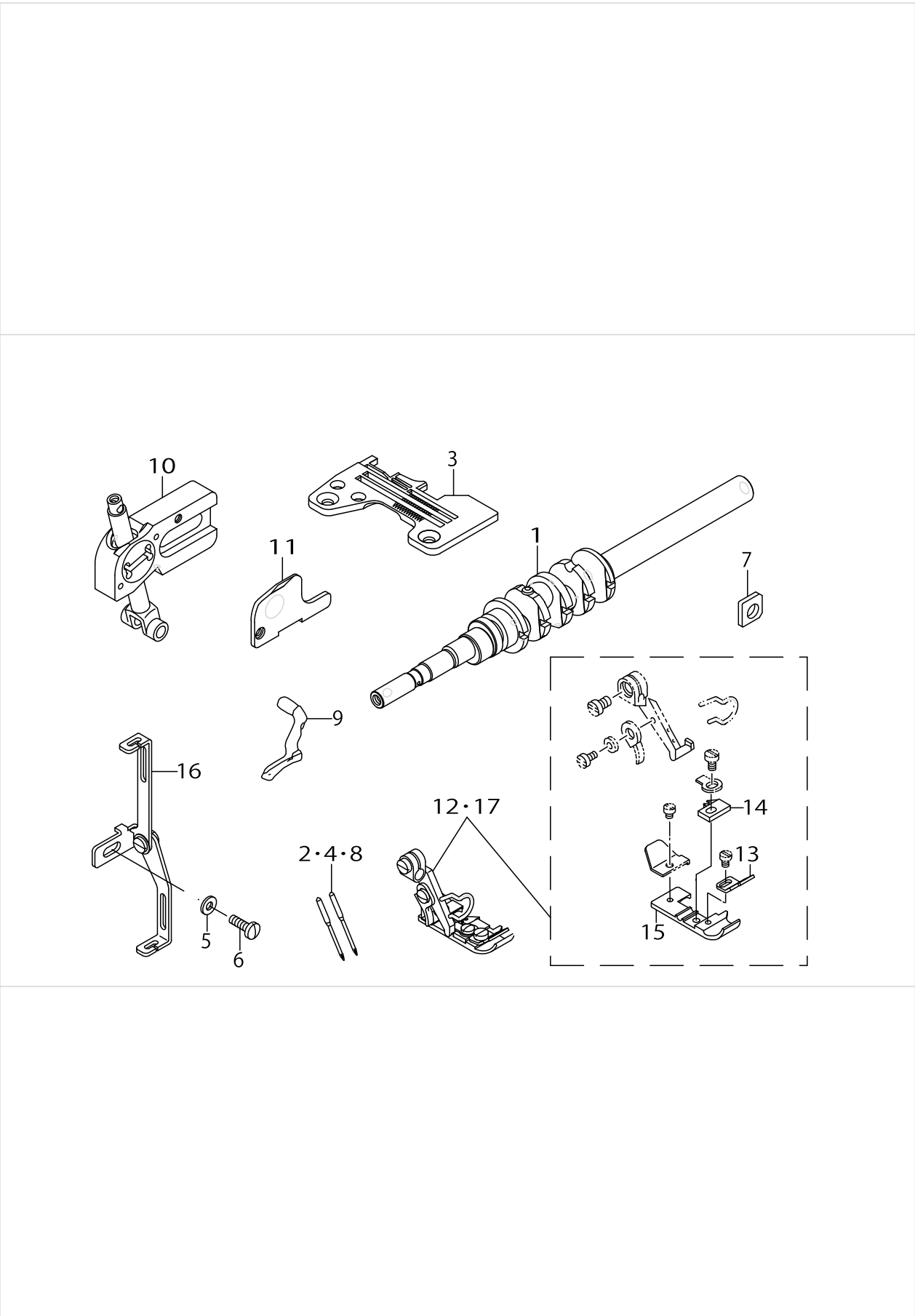
MO-6704DA-0E4-40H

No.	Parts No.	Parts name	Remarks	Level	Cons	Qty
1	11991908	UPPER LOOPER				1
2	13132006	GAUGE				1
3	13131156	UPPER LOOPER ARM B ASM.				1
4	40023276	MAIN SHAFT ASM.				1

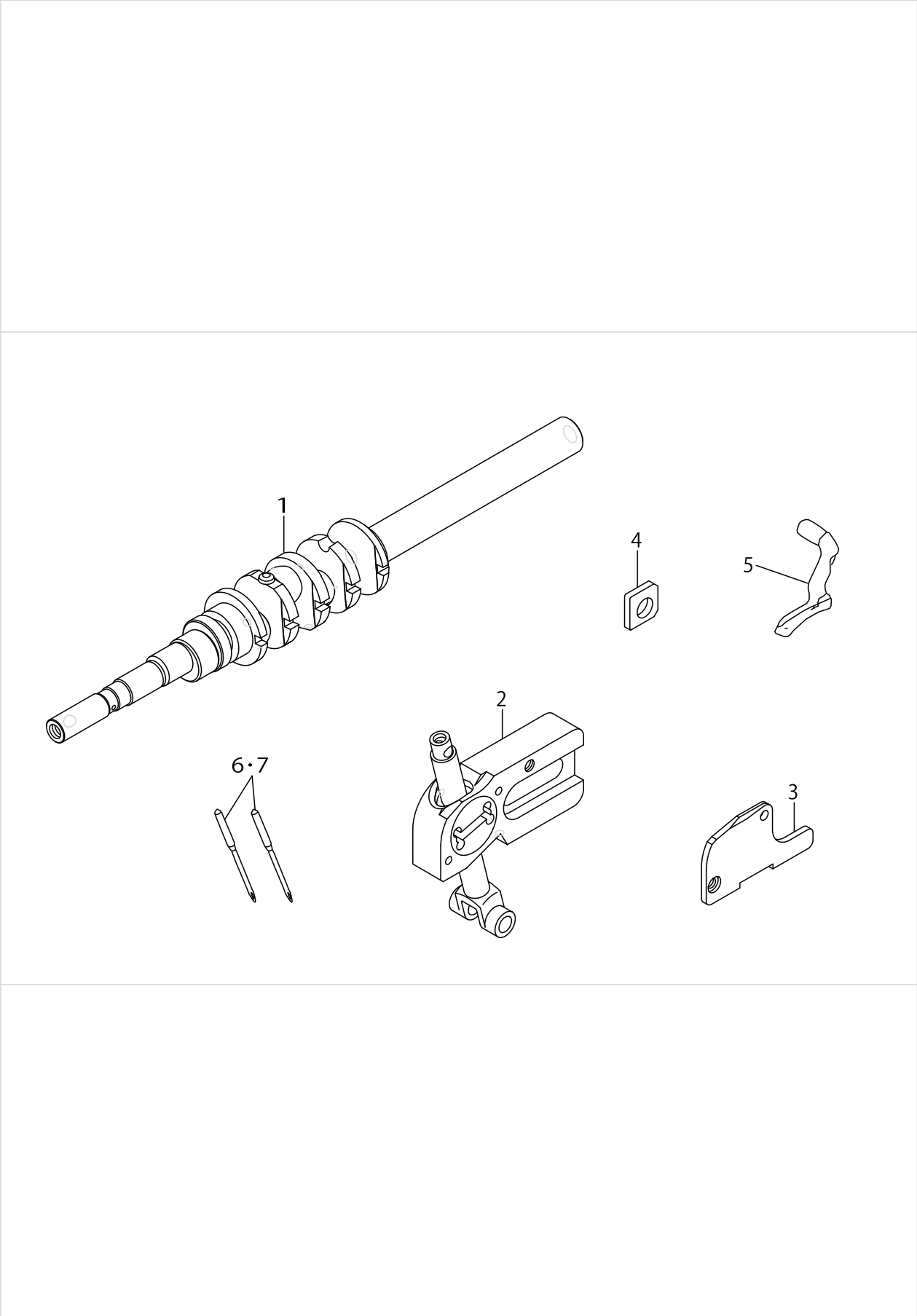


MO-6705DA-0D4-210/L121

No.	Parts No.	Parts name	Remarks	Level	Cons	Qty
1	13138359	THREAD TENSION SPRING JUNCTION				1
2	MDC270B0900	NEEDLE DCX27 #9				1
3	12104709	CLOTH PLATE COVER				1
4	MAL121000A0	SKIRT DRAGGING COMPL.				1
5	13106257	CLOTH PLATE ASM.				1
6	11992161	PRESSER FOOT ASM.				1
7	11874807	STITCH TONGUE		*		1
8	11992104	PRESSER FOOT		*		1
9	13150602	KNIFE				1
10	R4200J6DD00	THROAT PLATE				1

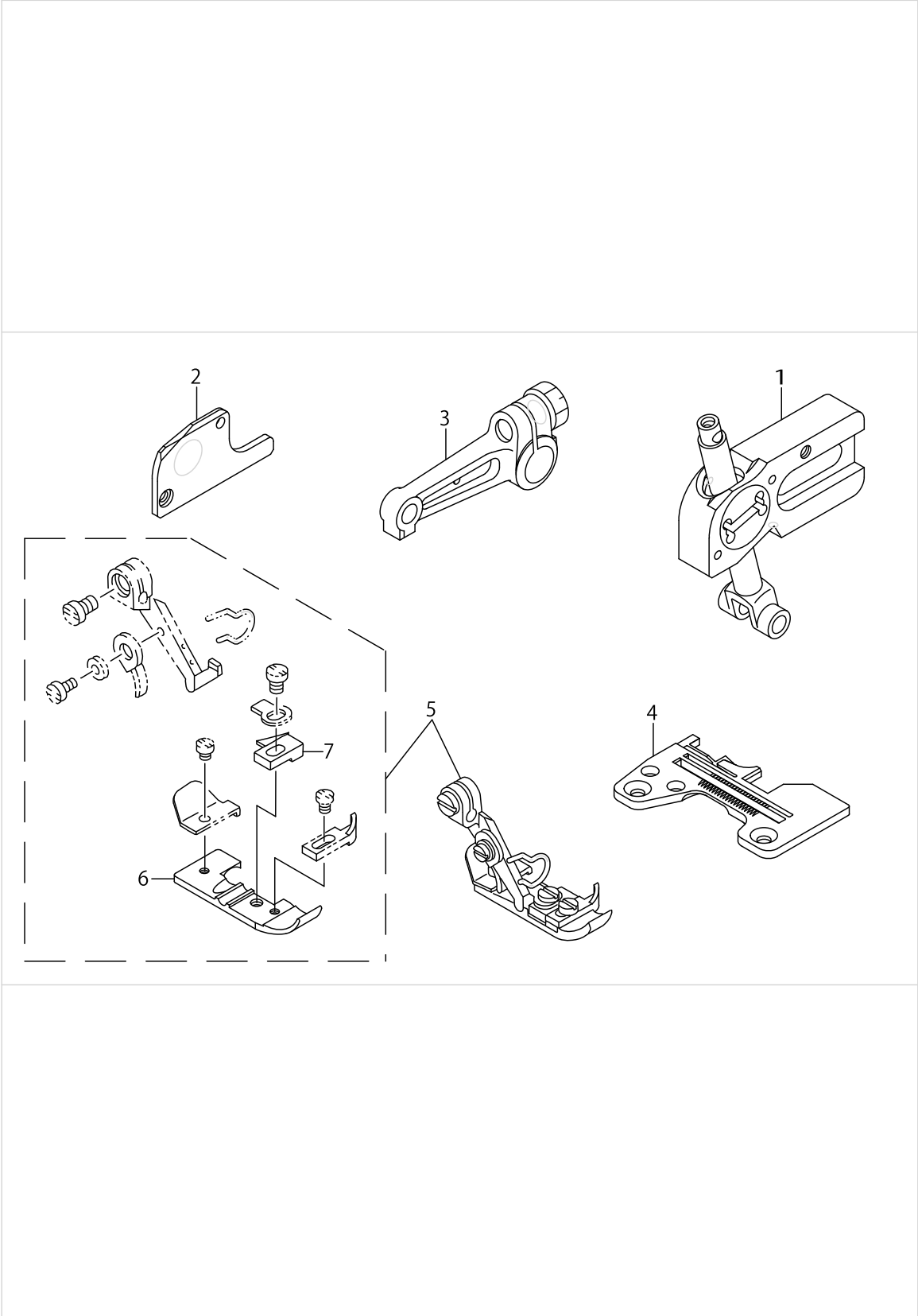


No.	Parts No.	Parts name	Remarks	Level	Cons	Qty
1	40023276	MAIN SHAFT ASM.				1
2	MDC270B1100	NEEDLE DCX27 #11	FOR MO-6714DA-BD6-34H/G-39/- Q141, MO-6714DA-BE6-34H/G-39/Q141			2
3	R4305J6DE00	THROAT PLATE	EXCEPT MO-6714DA-BE6-24H/G-39/Q141			1
4	MDC270B0900	NEEDLE DCX27 #9	FOR MO-6714DA-BE6-24H/G-39/- Q141, MO-6714DA-BD6-24H/G-39/Q141			2
5	WP0371016SD	WASHER 3.7X8X1				1
6	SS7091110TP	SCREW 9/64-40 L=10.5				1
7	13132006	GAUGE				1
8	MDC270B1400	NEEDLE DCX27 #14	FOR MO-6714DA-BE6-44H/G-39/Q141			2
9	12176103	UPPER LOOPER				1
10	40032574	GUIDE SUPPORT A ASM.				1
11	40004713	UPPER LOOPER GUIDE COVER A				1
12	12152963	PRESSER FOOT ASM.				1
13	12160909	TAPE GUIDE		*		1
14	12160305	STITCH TONGUE		*		1
15	12158002	PRESSER FOOT		*		1
16	MAQ141000A0	TAPE GUIDE ASM.				1
17	12152963	PRESSER FOOT ASM.				1



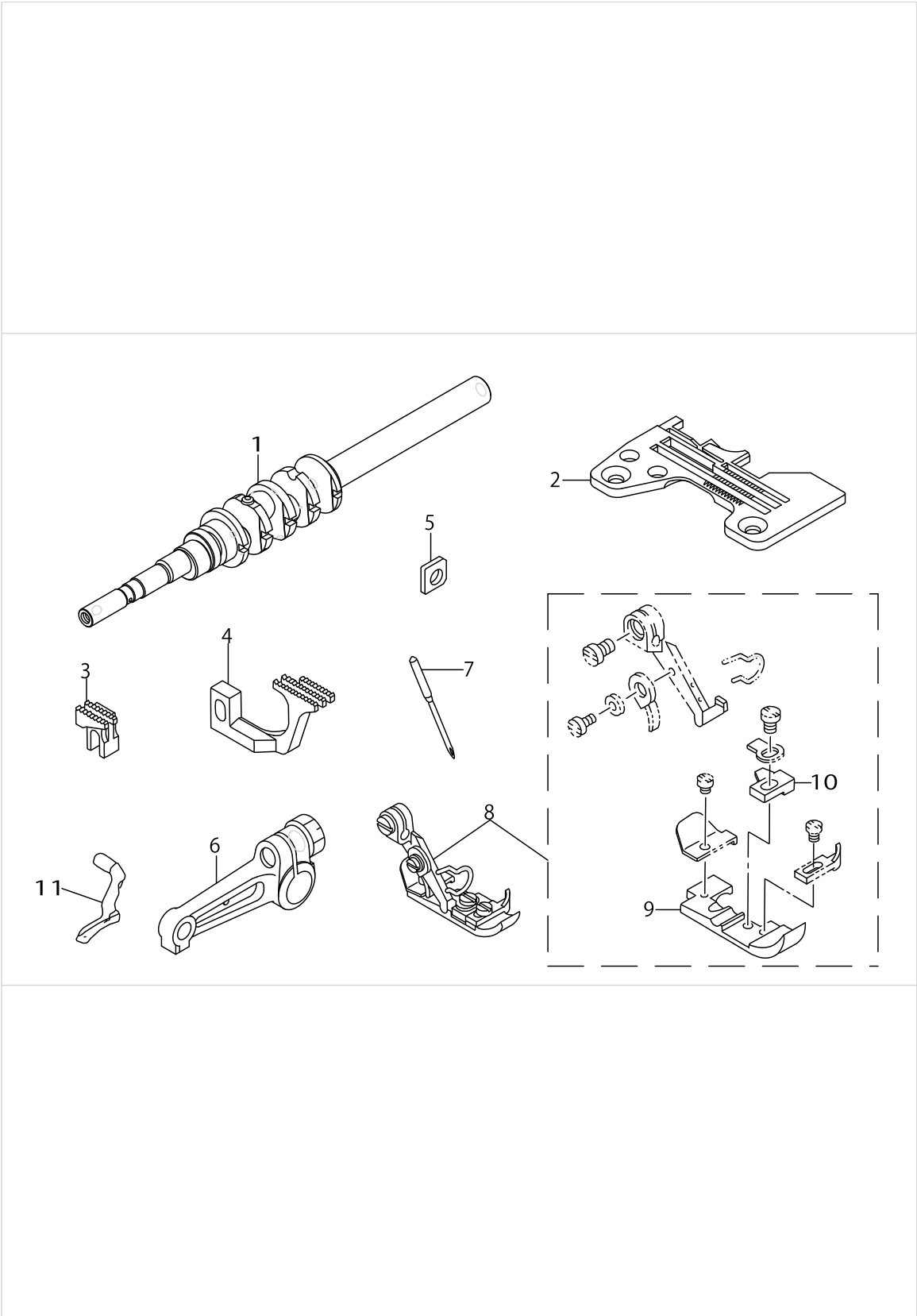
MO-6714DA-BE6-H20,MO-6714DA-BE6-40H

No.	Parts No.	Parts name	Remarks	Level	Cons	Qty
1	40023276	MAIN SHAFT ASM.				1
2	40032574	GUIDE SUPPORT A ASM.				1
3	40004713	UPPER LOOPER GUIDE COVER A				1
4	13132006	GAUGE				1
5	12176103	UPPER LOOPER				1
6	MDC270B0904	NEEDLE DCX27 #9-4EA	FOR MO-6714DA-BE6-20H			1
7	MDC270B0900	NEEDLE DCX27 #9	FOR MO-6714DA-BE6-20H			2



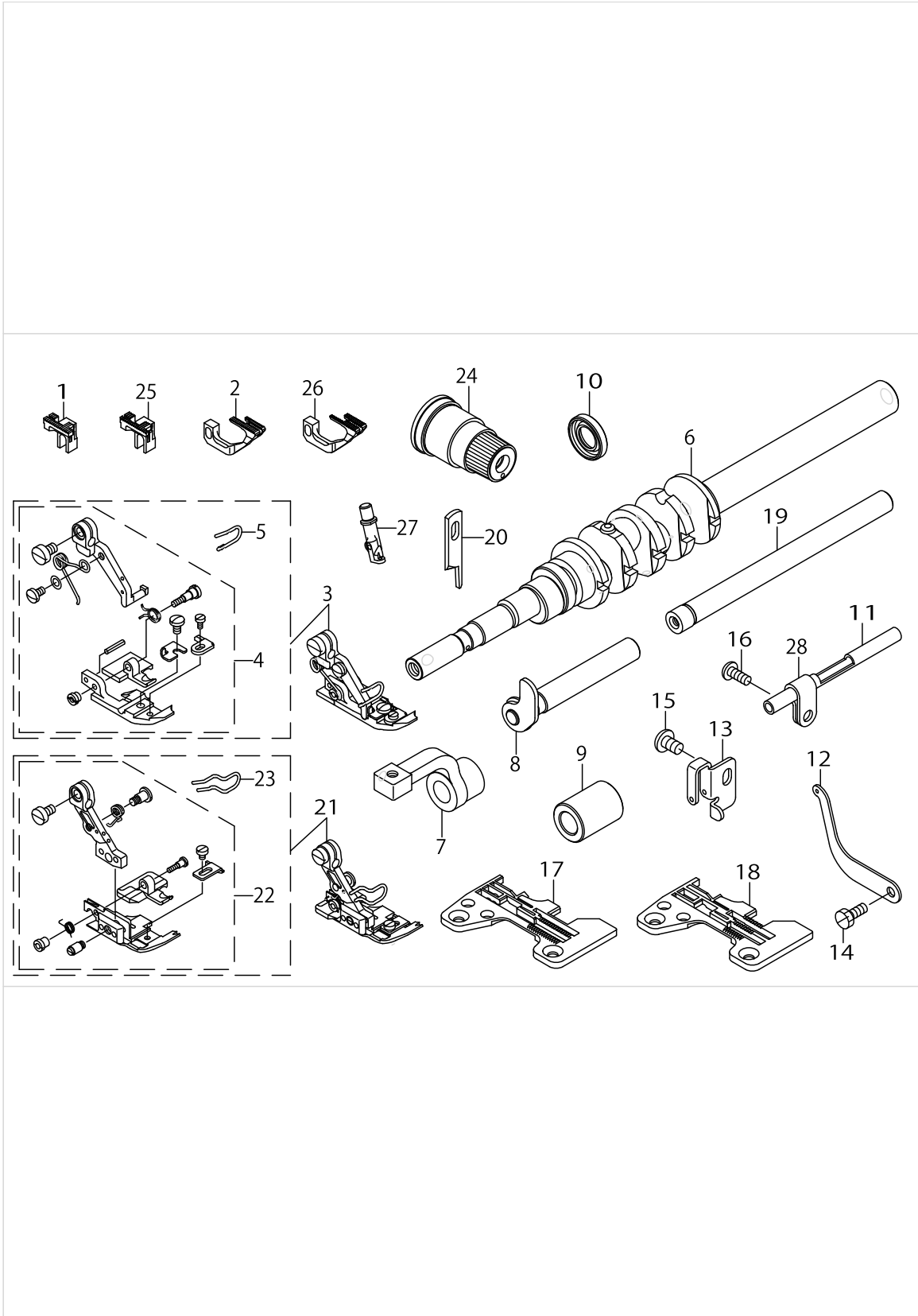
MO-6704DA-0E4-307,MO-6704DA-0F4-307

No.	Parts No.	Parts name	Remarks	Level	Cons	Qty
1	40032578	GUIDE SUPPORT B ASM				1
2	40004714	UPPER LOOPER GUIDE COVER B				1
3	13131156	UPPER LOOPER ARM B ASM.				1
4	R4200J6FD00	THROAT PLATE	FOR MO-6704DA-0F4-307			1
5	11876265	PRESSER FOOT ASM.	FOR MO-6704DA-0F4-307			1
6	B150781400P	PRESSER FOOT		*		1
7	B1509804C0A	STITCH TONGUE		*		1



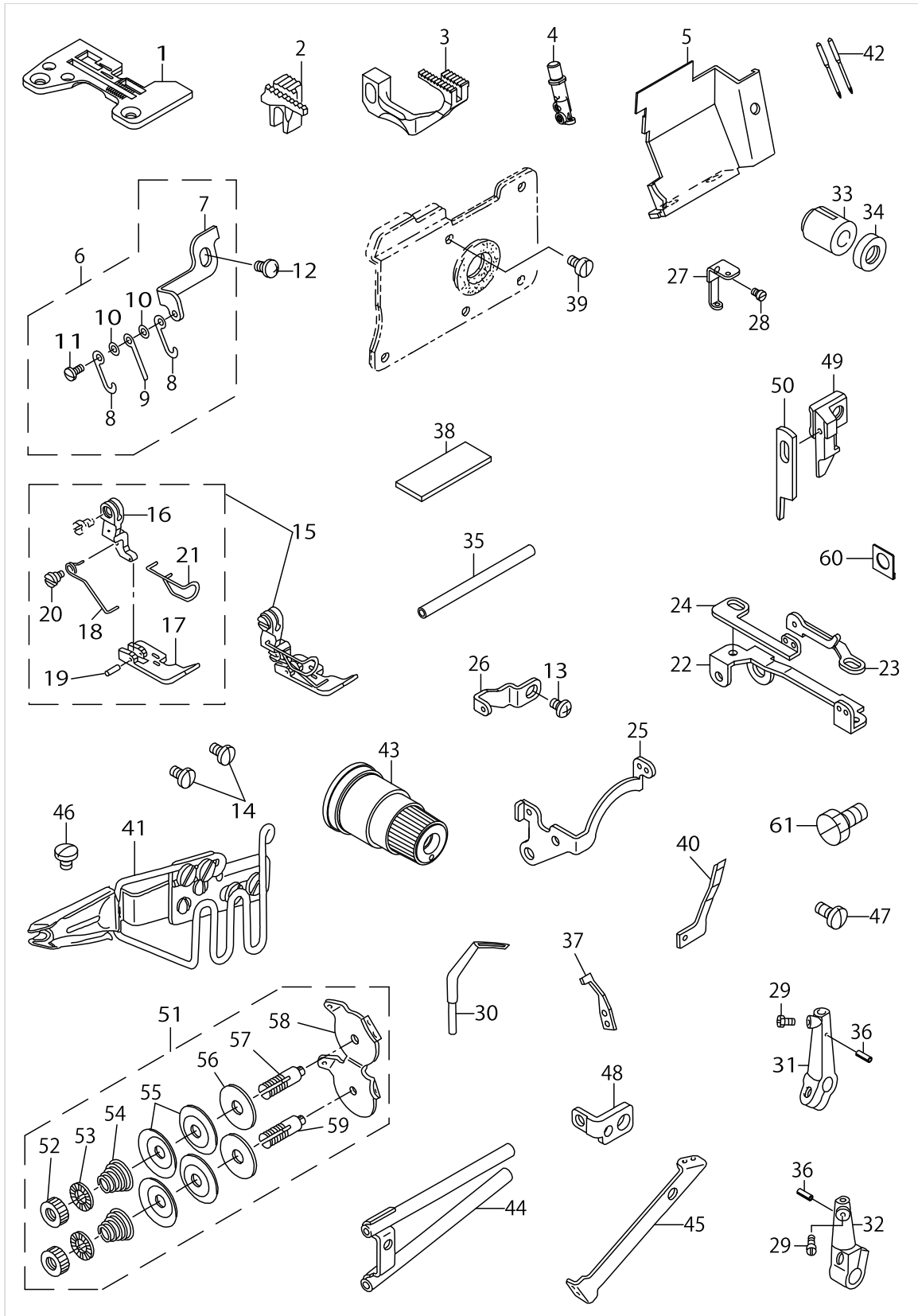
MO-6704DA-0F6-50H

No.	Parts No.	Parts name	Remarks	Level	Cons	Qty
1	40023276	MAIN SHAFT ASM.				1
2	R4300J6FE0B	THROAT PLATE				1
3	11883303	MAIN FEED DOG				1
4	11885605	DIFFERENTIAL FEED DOG				1
5	13132006	GAUGE				1
6	13131156	UPPER LOOPER ARM B ASM.				1
7	MDC270B1400	NEEDLE DCX27 #14				1
8	11876463	PRESSER FOOT ASM.				1
9	11873007	PRESSER FOOT		*		1
10	B1509804C0A	STITCH TONGUE		*		1
11	11991908	UPPER LOOPER				1

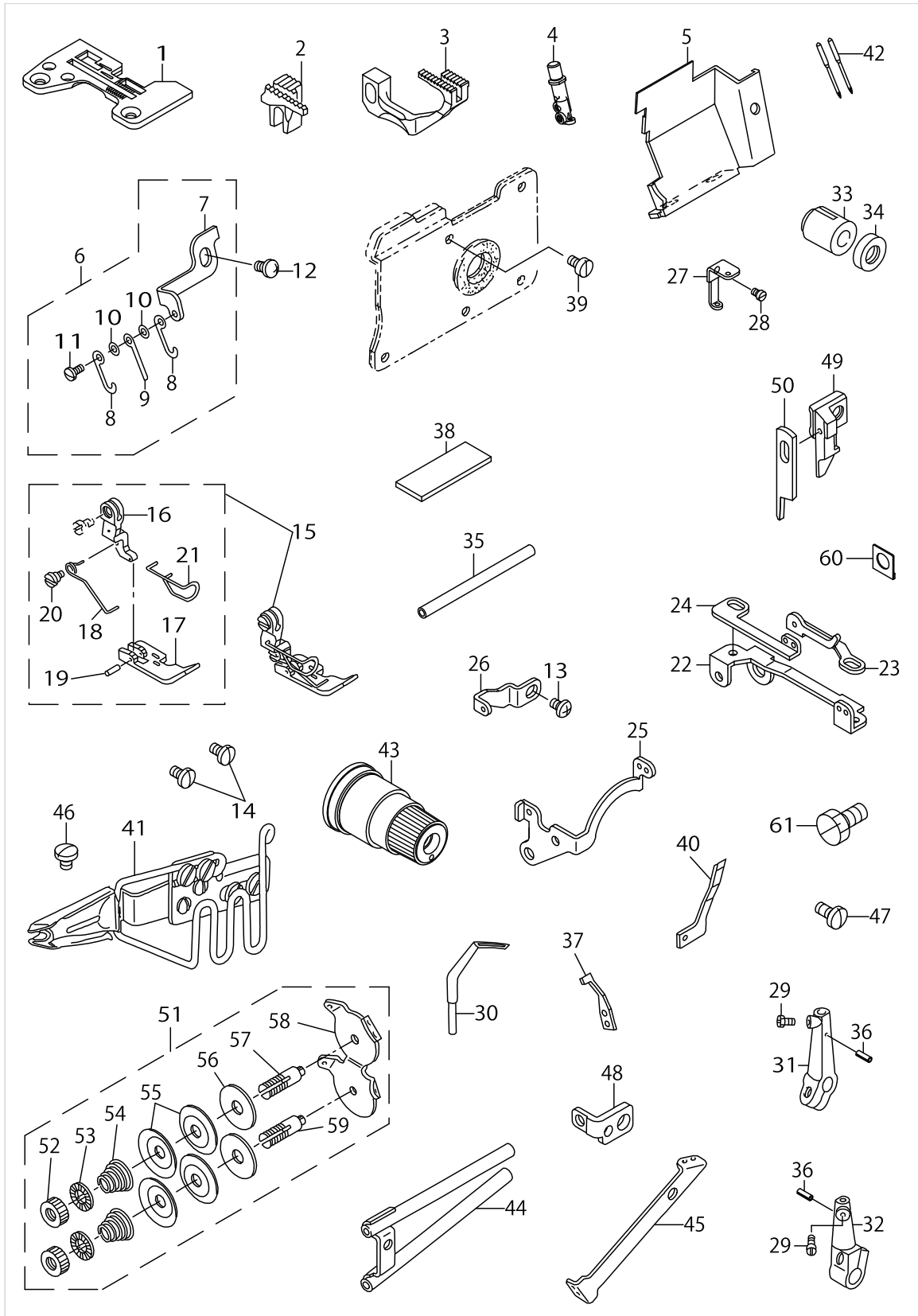


MO-6716DA-DE4-30P,MO-6716DA-FF4-30P

No.	Parts No.	Parts name	Remarks	Level	Cons	Qty
1	12171302	MAIN FEED DOG	FOR MO-6716DA-DE4-30P			1
2	12174306	SUB-FEED DOG	FOR MO-6716DA-DE4-30P			1
3	11879962	PRESSER FOOT ASM.	FOR MO-6716DA-DE4-30P			1
4	11879954	PRESSER FOOT ASM.		*		1
5	11894904	FINGER GUARD		*		1
6	40032592	MAIN SHAFT ASM. (30P)				1
7	12115515	PRESSER SHAFT ARM				1
8	12115655	PRESSER SHAFT ASM.				1
9	12115812	PRESSER SHAFT METAL				1
10	12119103	OIL SEAL				1
11	12121703	LOWER THREAD COPPER PIP				1
12	12121802	AUXILIARY THREAD TAKE-UP LEVER				1
13	12121901	THREAD TAKE-UP LEVER GUIDE				1
14	SS9111010SP	SCREW 11/64-40 L=9.5				1
15	SM4050855SP	SCREW				1
16	SM4041055SP	SCREW				1
17	R4508J6ED0A	THROAT PLATE	FOR MO-6716DA-DE4-30P			1
18	R4512J6FD0A	THROAT PLATE	FOR MO-6716DA-FF4-30P			1
19	12119004	FEED SHAFT				1
20	13150503	KNIFE	FOR MO-6716DA-FF4-30P			1
21	12154266	PRESSER FOOT ASM.	FOR MO-6716DA-FF4-30P			1
22	12154258	PRESSER FOOT ASM.		*		1
23	12168209	FINGER GUARD		*		1
24	13138359	THREAD TENSION SPRING JUNCTION				1
25	12171609	MAIN FEED DOG	FOR MO-6716DA-FF4-30P			1
26	12174702	SUB-FEED DOG	FOR MO-6716DA-FF4-30P			1
27	12150306	NEEDLE CLAMP, CHAIN LOOPER	FOR MO-6716DA-FF4-30P			1
28	B3113352000	MOUNTING BRACKET				1

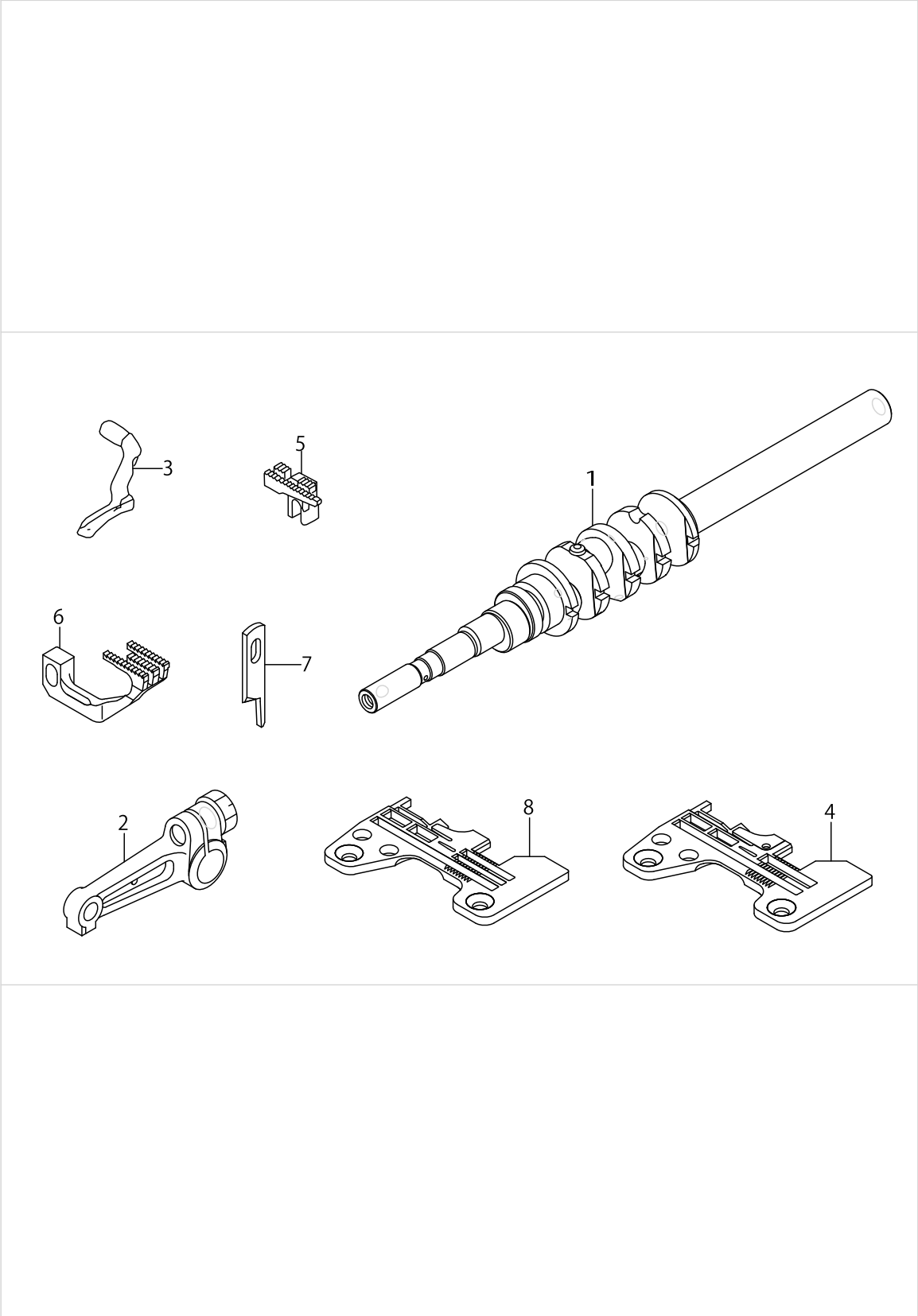


No.	Parts No.	Parts name	Remarks	Level	Cons	Qty
1	40026881	THROAT PLATE				1
2	40031382	MAIN FEED DOG				1
3	40031381	SUB-FEED DOG				1
4	12150306	NEEDLE CLAMP, CHAIN LOOPER				1
5	13105309	CLOTH WASTE COVER				1
6	12145652	CHAIN LOOPER THREAD TAKE-UP				1
7	12145702	THREAD TAKE-UP FITTING BASE		*		1
8	B1427816000	NEEDLE THREAD TAKE-UP LEVER A		*		2
9	B1428816000	NEEDLE THREAD TAKE-UP LEVER B		*		1
10	WP0250516SD	WASHER 2.5X6X0.5		*		2
11	SS7060510SP	SCREW 3/32-56 L=4.8		*		1
12	SM4040655SP	SCREW M4 L=6				1
13	SM4040655SP	SCREW M4 L=6				1
14	SS7110710SL	SCREW 11/64-40 L=7.0				2
15	40031637	PRESSER FOOT ASM.				1
16	11872405	PRESSER FOOT HINGE		*		1
17	40026885	PRESSER FOOT		*		1
18	11892106	PRESSER SPRING		*		1
19	B1511357000	PIN		*		1
20	SD0370401SP	HINGE SCREW D= 3.70 H= 4.0		*		1
21	11894706	FINGER GUARD		*		1
22	12146007	THREAD GUIDE BASE				1
23	12146106	THREAD GUIDE A				1
24	12146205	THREAD GUIDE B				1
25	12146304	THREAD GUIDE				1
26	12145801	CHAIN LOOPER THREAD GUIDE				1
27	12145900	NEEDLE THREAD GUIDE				1
28	SS6060340SP	SCREW 3/32-56 L= 2.5				1
29	SS9090610TP	SCREW 9/64-40 L=5.5				2
30	11999604	DOUBLE-RING LOOPER				2
31	B211784500A	CHAIN LOOPER SUPPORT ARM A				1
32	B211784500B	CHAIN LOOPER SUPPORT ARM B				1
33	B2110845000	BUSHING, FRONT				1
34	B2121845000	OIL SEAL				1
35	B2109816000	CHAIN LOOPER SHAFT				1
36	PS0200062KH	SPRING PIN 2X6				2
37	11891009	NEEDLE GUARD				1
38	B2528845000	CHIP GUARD PLATE				1
39	SS6090630TP	SCREW 9/64-40 L=6				1
40	11890902	NEEDLE GUARD				1
41	MAN0770F0A0	TOP CENTER PLAIT BINDER				1
42	MDC270B1400	NEEDLE DCX27 #14				2
43	13140652	TENSION SPRING UNION (GREEN)				1
44	11893054	LOOPER THREAD GUIDE TUBE ASM.				1
45	11893104	LOOPER THREAD GUIDE TUBE GUIDE				1
46	SS7090510SP	SCREW 9/64-40 L= 4.6				1
47	SS7110840SP	SCREW 11/64-40 L=7.8				1



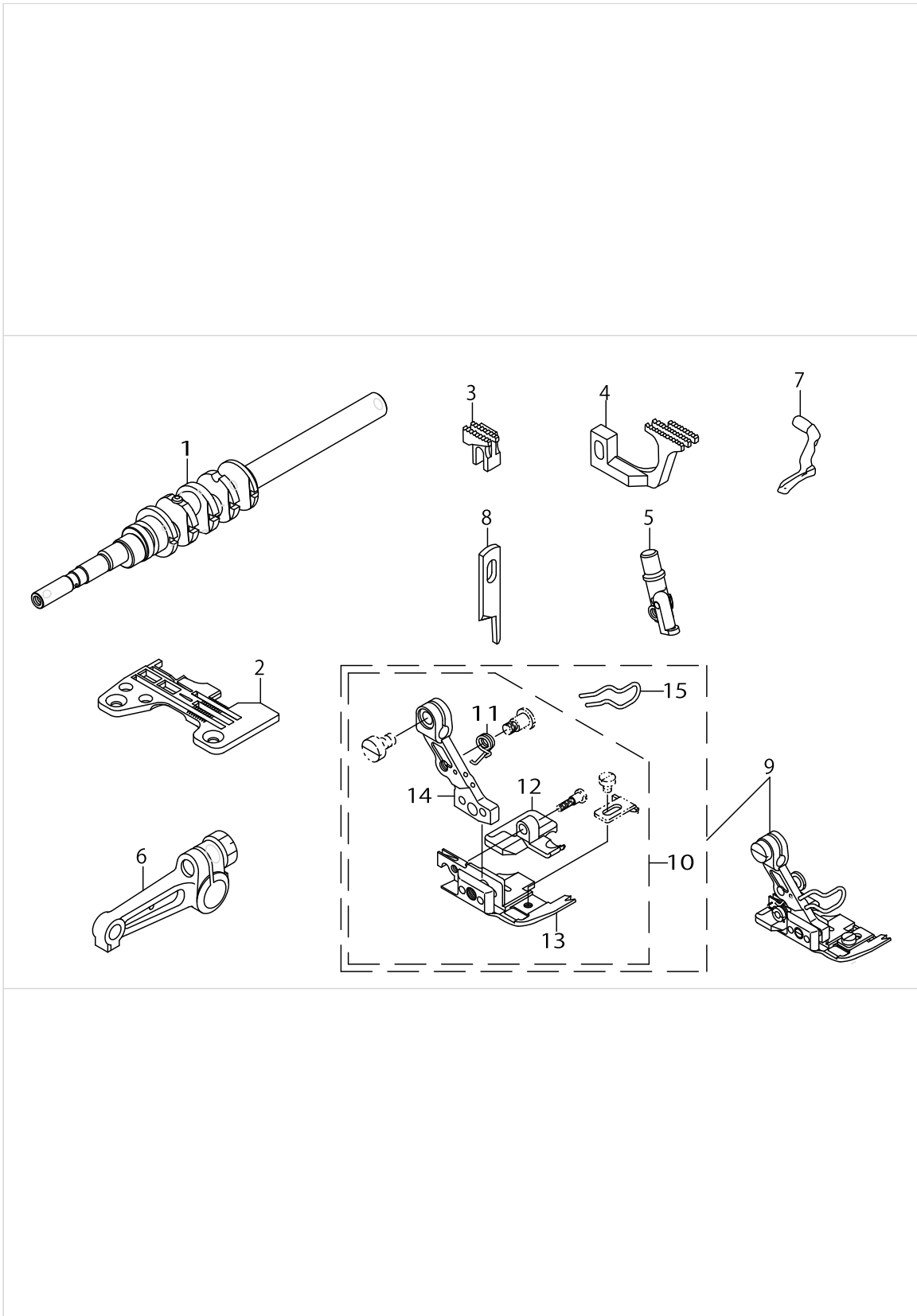
MO-6745DA-FF4-360/N077

No.	Parts No.	Parts name	Remarks	Level	Cons	Qty
48	11854205	SUPPORT				1
49	11896206	UPPER KNIFE SUPPORT				1
50	13150503	KNIFE				1
51	11892957	TENSION CONTROLLER ASM.				1
52	B2314019000	TENSION POST NUT		*		2
53	B3120125000	ROTATING STOPPER		*		2
54	B2017372000	TENSION SPRING NO.1		*		2
55	B3126012000	THREAD TENSION DISK		*		4
56	B3120352000	THREAD TENSION SPRING FELT		*		2
57	11550803	THREAD TENSION POST		*		1
58	11892809	THREAD GUIDE		*		1
59	11892908	THREAD TENSION POST		*		1
60	13129309	WASHER				2
61	SS9151210TP	SCREW 15/64-28 L=11.8				2



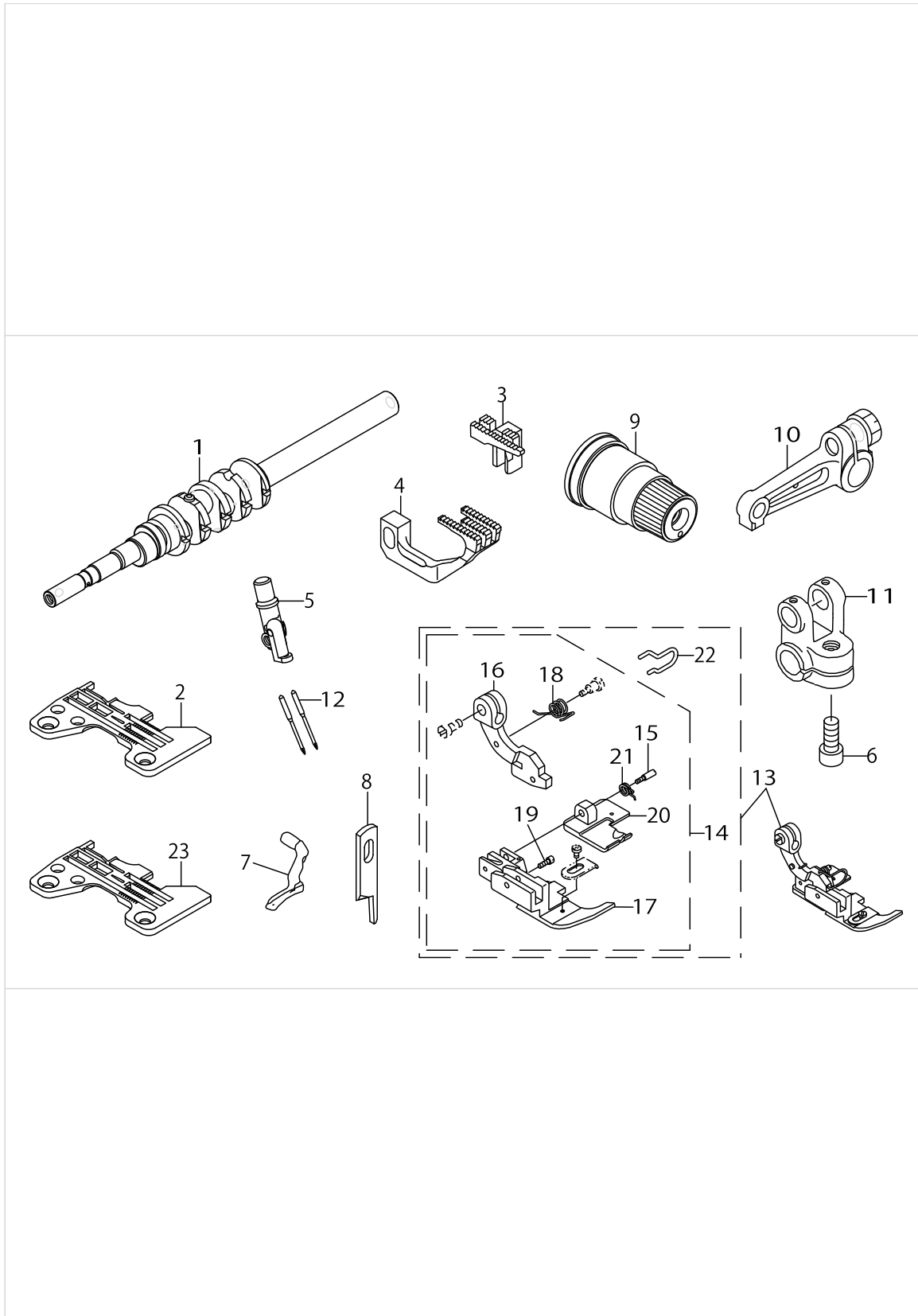
MO-6716DA-DE4-40H,MO-6716DA-DE4-40H/E35,MO-6716DA-DE6-40H

No.	Parts No.	Parts name	Remarks	Level	Cons	Qty
1	40023276	MAIN SHAFT ASM.				1
2	13131156	UPPER LOOPER ARM B ASM.				1
3	11991908	UPPER LOOPER				1
4	R4508J6ED0C	THROAT PLATE	FOR MO-6716DA-DE4-40H/E35			1
5	11882909	MAIN FEED DOG	FOR MO-6716DA-DE6-40H			1
6	12173209	DIFFERENTIAL FEED DOG	FOR MO-6716DA-DE6-40H			1
7	13150503	KNIFE	FOR MO-6716DA-DE6-40H			1
8	R4608J6ED00	THROAT PLATE	FOR MO-6716DA-DE6-40H			1



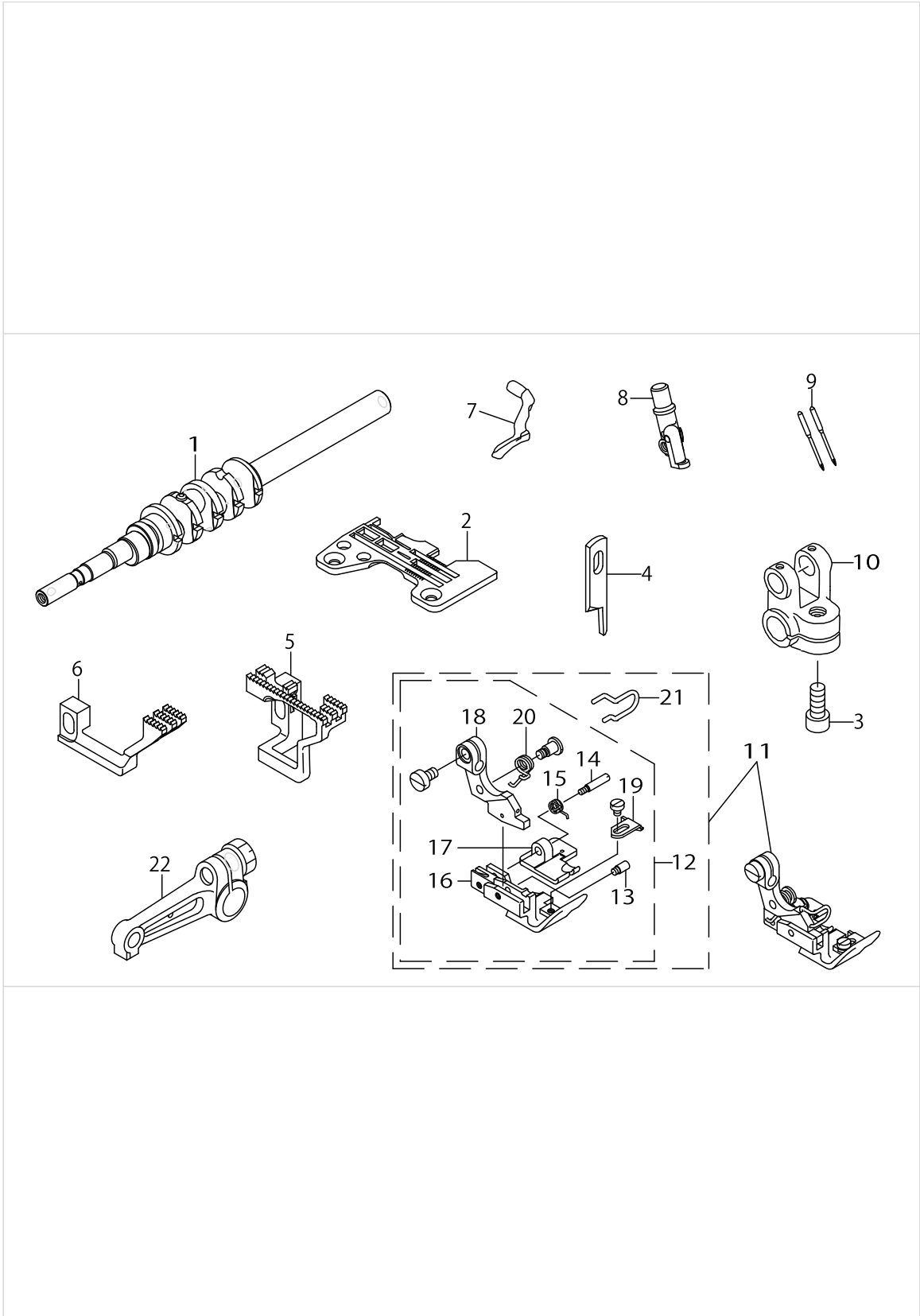
MO-6716DA-FF6-40H

No.	Parts No.	Parts name	Remarks	Level	Cons	Qty
1	40023276	MAIN SHAFT ASM.				1
2	R4612J6FD00	THROAT PLATE				1
3	11884004	MAIN FEED DOG				1
4	12173308	DIFFERENTIAL FEED DOG				1
5	12257507	NEEDLE CLAMP, CHAIN LOOPER				1
6	13131156	UPPER LOOPER ARM B ASM.				1
7	11991908	UPPER LOOPER				1
8	13150503	KNIFE				1
9	12154266	PRESSER FOOT ASM.				1
10	12154258	PRESSER FOOT ASM.		*		1
11	12168001	PRESSER FOOT ARM SPRING, (B)		*		1
12	12165304	REAR PRESSER FOOT		*		1
13	12162707	PRESSER FOOT		*		1
14	12157004	PRESSER FOOT HINGE		*		1
15	12168209	FINGER GUARD		*		1



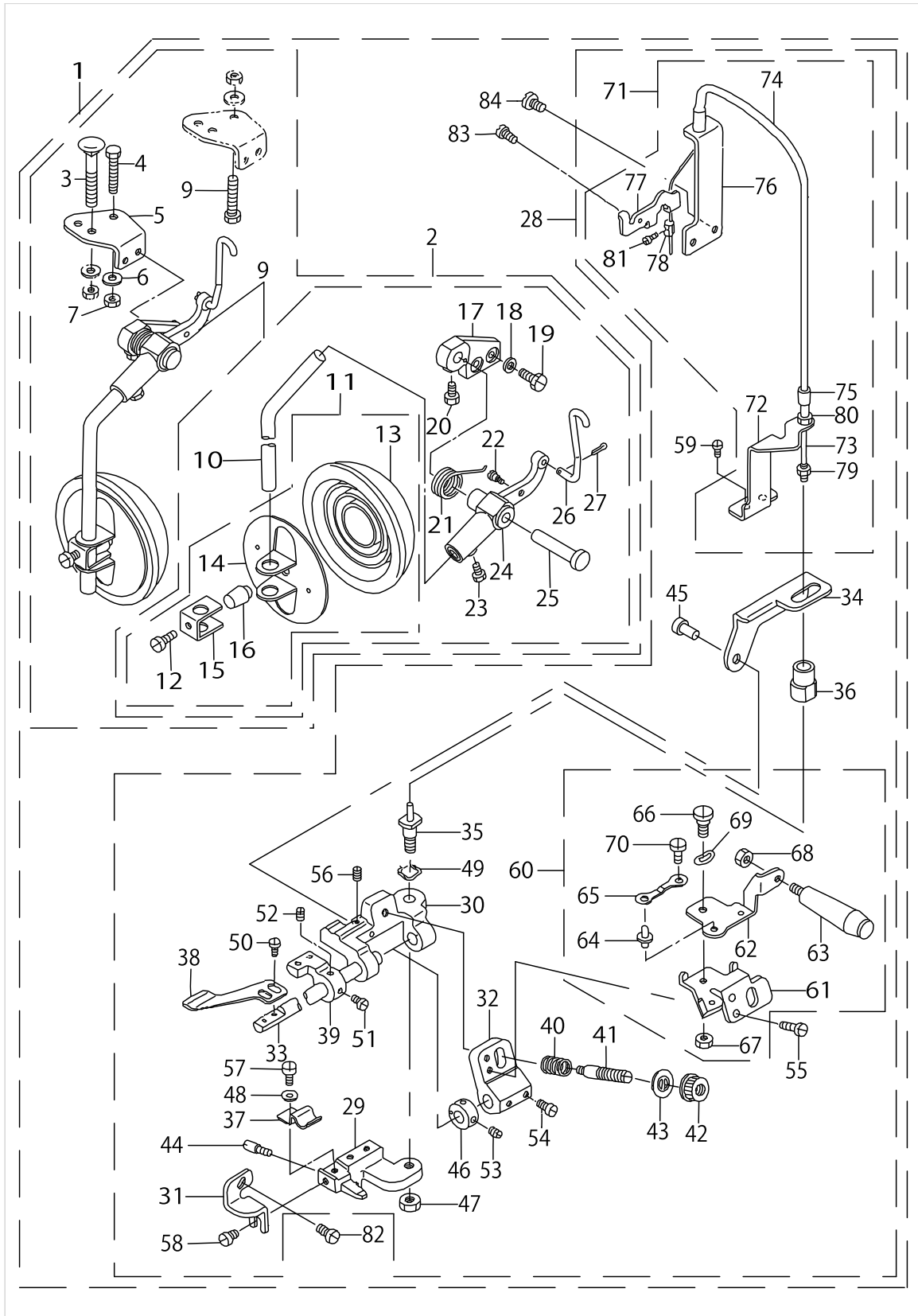
MO-6716DA-FF6-50H,MO-6716DA-FH6-50H

No.	Parts No.	Parts name	Remarks	Level	Cons	Qty
1	40023276	MAIN SHAFT ASM.				1
2	R4612J6FF00	THROAT PLATE	FOR MO-6716DA-FF6-50H			1
3	11883006	MAIN FEED DOG				1
4	12173506	DIFFERENTIAL FEED DOG				1
5	12257507	NEEDLE CLAMP, CHAIN LOOPER				1
6	SM6061402TP	SCREW M6 L=14				1
7	11991908	UPPER LOOPER				1
8	13150503	KNIFE				1
9	13137559	THREAD TENSION SPRING JUNCTION				1
10	13131156	UPPER LOOPER ARM B ASM.				1
11	12119210	FORKED CRANK				1
12	MDC270B1600	NEEDLE DCX27 #16				2
13	11991189	PRESSER FOOT ASM.				1
14	11991171	PRESSER FOOT ASM.		*		1
15	11930807	HINGE PIN		*		1
16	11991023	PRESSER FOOT HINGE		*		1
17	11991114	HINGED TYPE PRESSER FOOT		*		1
18	B151581600B	PRESSER FOOT ARM SPRING B		*		1
19	11993508	PRESSER FOOT HINGE PIN		*		1
20	11991205	REAR PRESSER FOOT		*		1
21	11991304	SPRING		*		1
22	11821303	FINGER GUARD		*		1
23	R4612J6HG00	THROAT PLATE	FOR MO-6716DA-FH6-50H			1

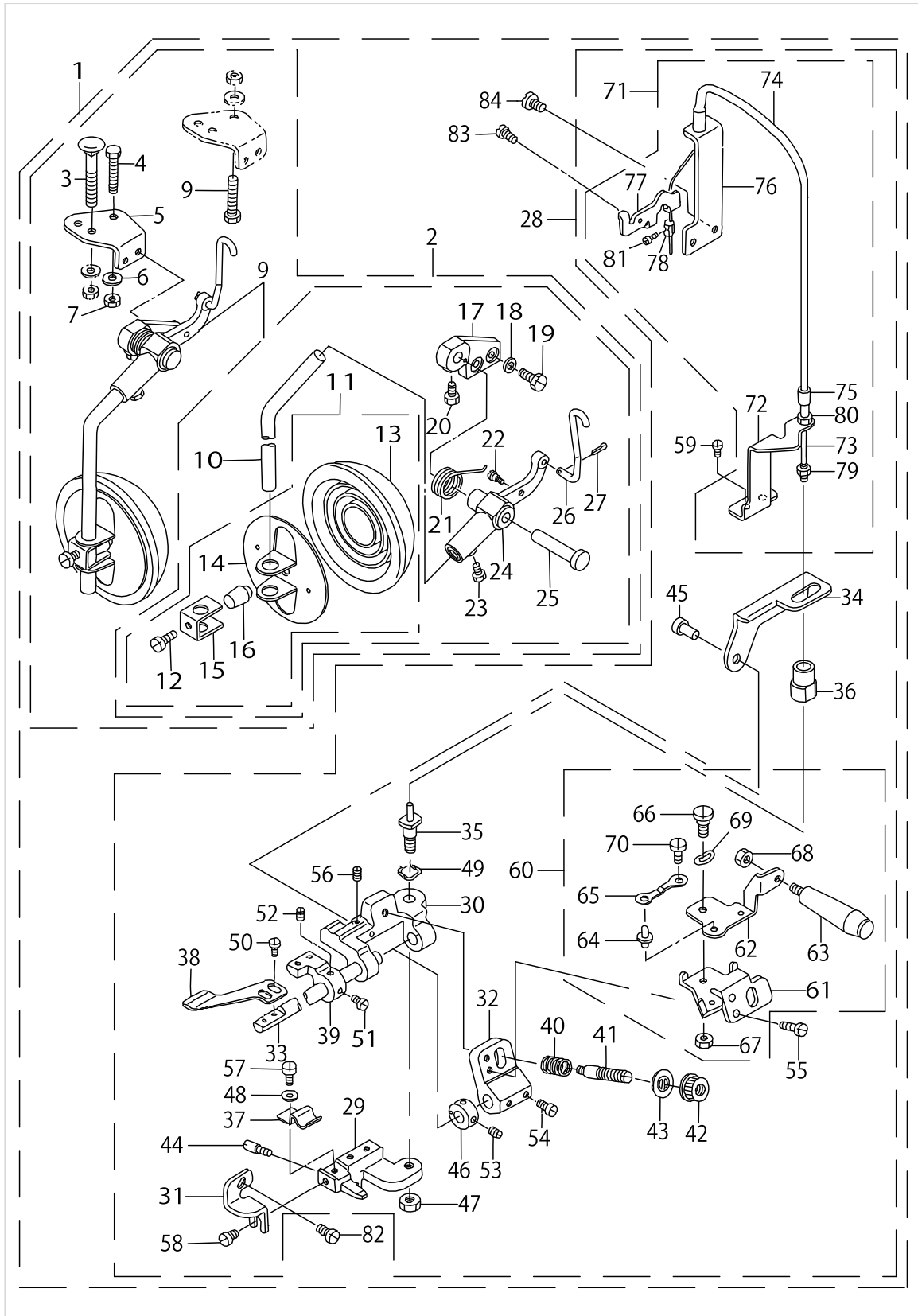


MO-6716DA-FF6-42H/S159 (1)

No.	Parts No.	Parts name	Remarks	Level	Cons	Qty
1	40023276	MAIN SHAFT ASM.				1
2	R4612J6FD0A	THROAT PLATE				1
3	SM6061402TP	SCREW M6 L=14				1
4	13150503	KNIFE				1
5	12170908	MAIN FEED DOG				1
6	12174504	DIFFERENTIAL FEED DOG				1
7	11991908	UPPER LOOPER				1
8	12257507	NEEDLE CLAMP, CHAIN LOOPER				1
9	MDC270B1400	NEEDLE DCX27 #14				2
10	12119210	FORKED CRANK				1
11	12154860	PRESSER FOOT ASM.				1
12	12154852	PRESSER FOOT ASM.		*		1
13	11993508	PRESSER FOOT HINGE PIN		*		1
14	11930807	HINGE PIN		*		1
15	11991304	SPRING		*		1
16	12163309	PRESSER FOOT		*		1
17	11991205	REAR PRESSER FOOT		*		1
18	11991015	PRESSER FOOT HINGE		*		1
19	12168100	CLOTH GUIDE		*		1
20	B151581600B	PRESSER FOOT ARM SPRING B		*		1
21	11821303	FINGER GUARD		*		1
22	13131156	UPPER LOOPER ARM B ASM.				1

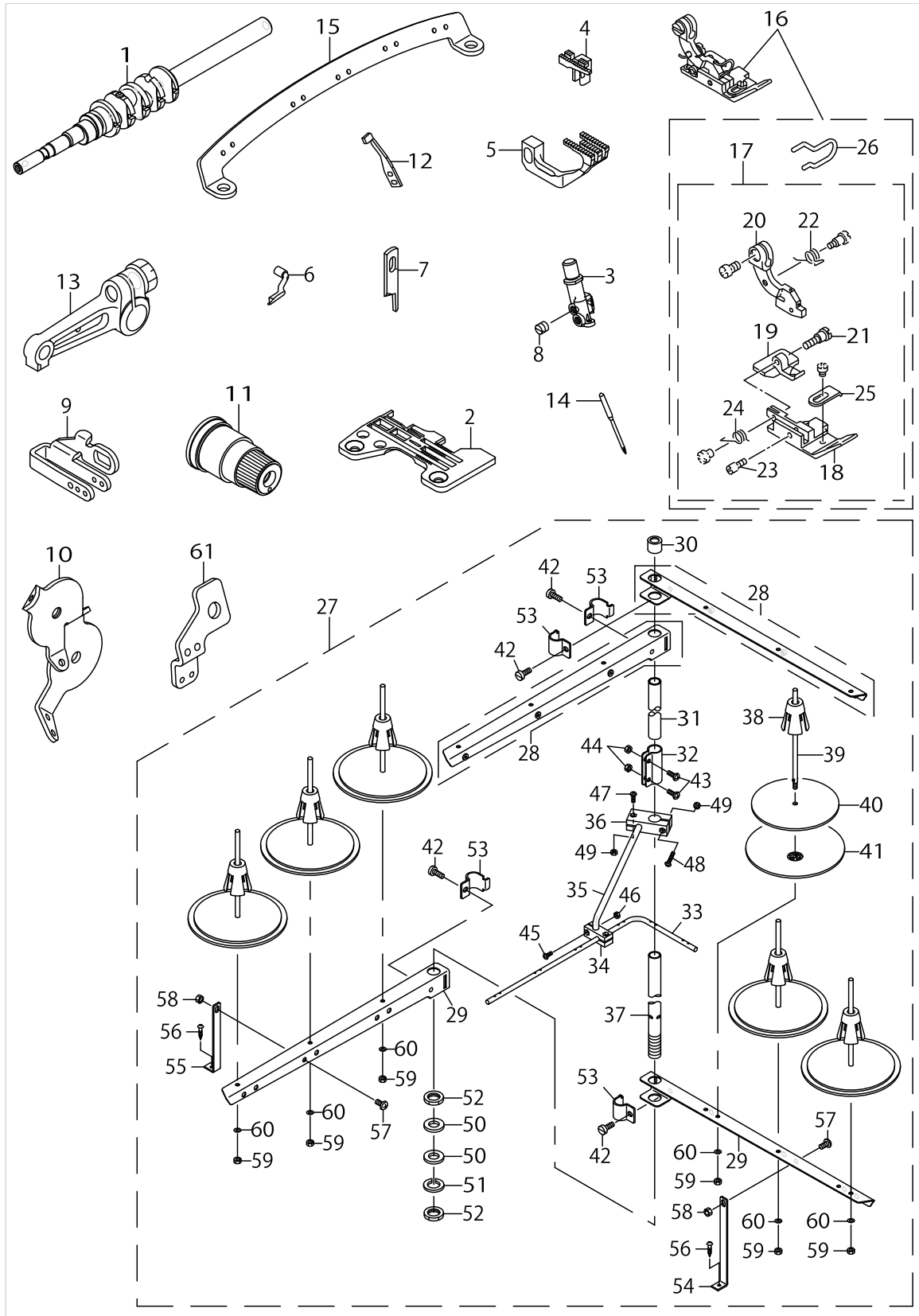


No.	Parts No.	Parts name	Remarks	Level	Cons	Qty
1	MAS159000A0	GATHERING DEVICE ASM.				1
2	MAS107010A0	KNEE OPERATING DEVICE ASM.		*		1
3	MAS10704000	BOLT	FOR SEMI-SUNKEN TYPE TABLE (FOR EXPORT)	*		1
4	SM9083013SC	SCREW M8 L=30	FOR SEMI-SUNKEN TYPE TABLE	*		1
5	MAS10701000	INSTALLING PLATE		*		1
6	WP0850002SC	WASHER 8.5X18X1.6	FOR SEMI-SUNKEN TYPE TABLE	*		1
7	NM6080600SM	NUT M8	FOR SEMI-SUNKEN TYPE TABLE	*		1
8	SM9084533SC	SCREW M8 L=45	FOR FULLY-SUNKEN TYPE TABLE	*		2
9	MAS107010C0	KNEE PRESS PLATE ASM.		*		1
10	MAS10702000	ROD		*		1
11	11023751	KNEE PRESS PLATE ASM.		*		1
12	SM9061203SE	SCREW M6 L=12		*		1
13	22934509	KNEE PAD PLATE COVER		*		1
14	22934202	KNEE PAD PLATE		*		1
15	22934301	KNEE PAD PLATE SUPPORT		*		1
16	22934400	KNEE PAD PLATE RUBBER		*		1
17	MAS10501000	LEVER INSTALLING BASE		*		1
18	WP0740516SP	WASHER 7.4X11.8X0.5		*		2
19	SS9681610TP	SCREW 9/32-28 L=16		*		2
20	SS9151210TP	SCREW 15/64-28 L=11.8		*		1
21	MAS10503000	SPRING		*		1
22	SD0550501SP	HINGE SCREW D=5.5 H=5		*		1
23	SS9151210TP	SCREW 15/64-28 L=11.8		*		1
24	MAS10502000	LEVER		*		1
25	MAS10504000	PIN		*		1
26	MAS10703000	CONNECTING ROD		*		1
27	PD02010000D	SPLIT PIN 1.8X10		*		1
28	MAS159010A0	PEDAL SHIRRING ATTACHMENT ASM.		*		1
29	MAS15901000	PRESSER PLATE BASE		*		1
30	MAS15902000	SWING BASE		*		1
31	MAS15903000	BRACKET		*		1
32	MAS15904000	ARM		*		1
33	MAS15905000	SHAFT		*		1
34	MAS15908000	LIFTING LEVER		*		1
35	MAS15909000	LIFTING SHAFT		*		1
36	MAS15910000	LIFTING COLLAR		*		1
37	MAS15911000	SPRING		*		1
38	MAS05108000	INTERMITTENT SHIRRING PRESSER		*		1
39	MAS05212000	PIPING MOUNTING BLOCK		*		1
40	MAS05205000	SPRING		*		1
41	B3105804000	TENSION POST		*		1
42	B3116125000	TENSION NUT		*		1
43	B3120125000	ROTATING STOPPER		*		1
44	MAS05202000	SCREW		*		1
45	MAS05714000	PIN		*		1
46	CS0790811SP	THRUST COLLAR D=7.94 W=8		*		1



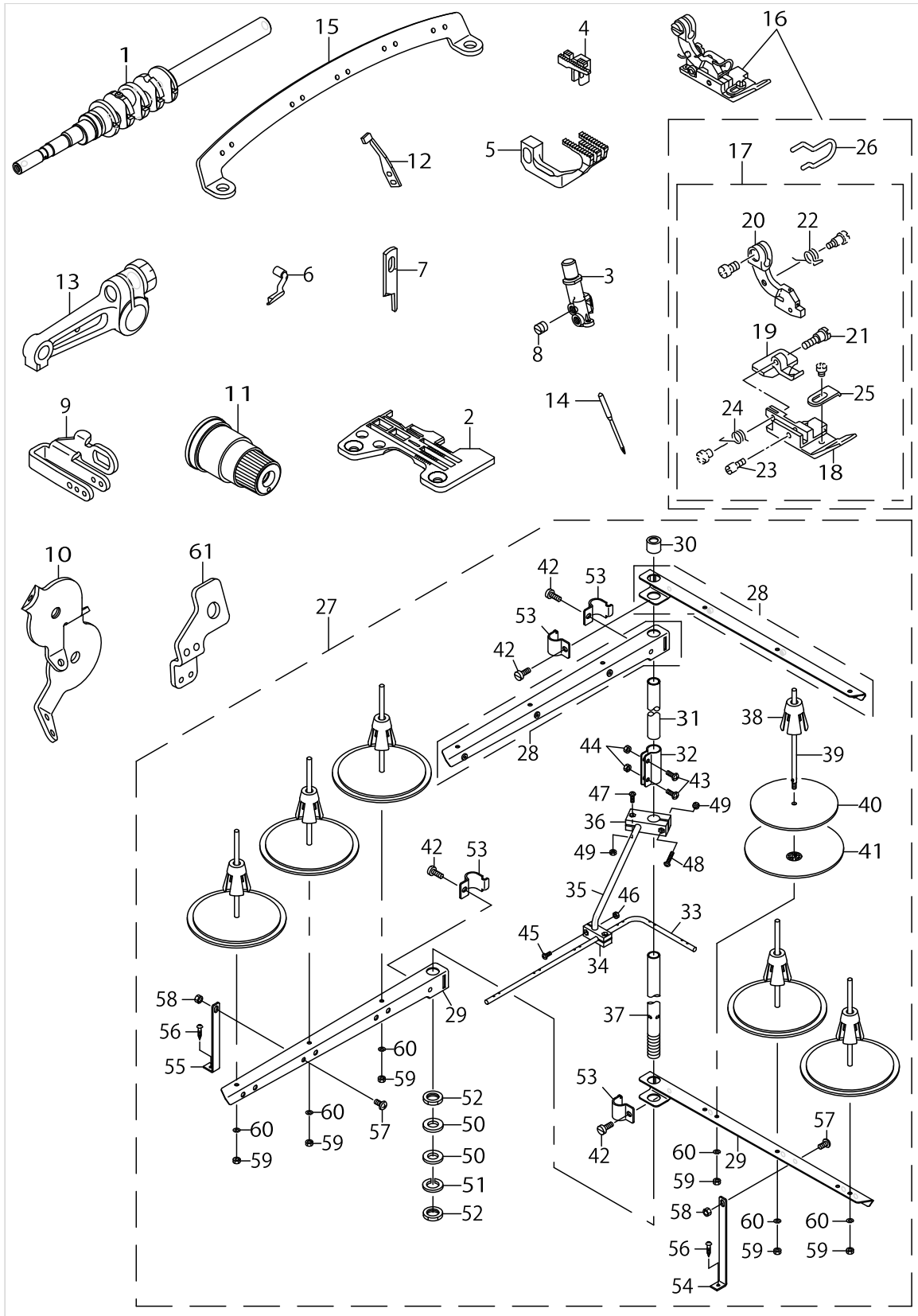
MO-6716DA-FF6-42H/S159 (2)

No.	Parts No.	Parts name	Remarks	Level	Cons	Qty
47	NS6160520SP	NUT 1/4-24		*		1
48	WP0480856SP	WASHER 4.8X8.4X0.8		*		1
49	WZ0850302K0	WAVED WASHER 8.5X12.5X0.3		*		1
50	SS6090650SP	SCREW 9/64-40 L=6		*		2
51	SS6110650TP	SCREW 11/64-40 L=5.5		*		1
52	SS8110520TP	SCREW 11/64-40 L= 4.5		*		1
53	SS8110520TP	SCREW 11/64-40 L= 4.5		*		2
54	SS6110710TP	SCREW 11/64-40 L= 6.5		*		2
55	SS4090715SP	SCREW 9/64-40 L=7		*		2
56	SS8090410SP	SCREW 9/64-40 L= 3.5		*		1
57	SS7110710SP	SCREW 11/64-40 L=7		*		1
58	SS7110720SP	SCREW 11/64-40 L=7		*		1
59	SS7110910SP	SCREW 11/64-40 L=8.5		*		2
60	MAS159060A0	LIFTING ARM ASM.		*		1
61	MAS15906000	LIFTING ARM		*		1
62	MAS15907000	MANUAL LEVER ARM		*		1
63	MAS15915000	MANUAL LEVER		*		1
64	MAL12115000	ARM FIXING PLATE STOPPER		*		1
65	MAL12116000	FIXING PLATE STOPPER SPRING		*		1
66	SD0600352SP	HINGE SCREW		*		1
67	NS6110350SP	NUT 11/64-40		*		1
68	NM6050001SP	NUT M5		*		1
69	WZ0640312K0	WAVED WASHER		*		1
70	SS7110340SP	SCREW 11/64-40 L= 3.2		*		1
71	MAS159120A0	WIRE STOPPER ARM.		*		1
72	MAS15912000	WIRE STOPPER		*		1
73	MAS159130A0	WIRE ASM		*		1
74	MAS15914000	WIRE TUBE		*		1
75	MAS12512000	WIRE ADJUSTING STUD		*		1
76	MAS057180A0	WIRE SUPPORT ASM.		*		1
77	MAS05719000	LIFTING LEVER CONNECTOR		*		1
78	MAS05720000	WIRE STOPPER		*		1
79	NS6090310SP	NUT 9/64-40		*		1
80	NS6110310SP	NUT 11/64-40		*		1
81	SS9090640SP	SCREW 9/64-40 L=6		*		1
82	SS7110840SP	SCREW 11/64-40 L=7.8		*		1
83	SS7110710SP	SCREW 11/64-40 L=7		*		1
84	SS6151040SP	SCREW 15/64-28 L=10		*		2



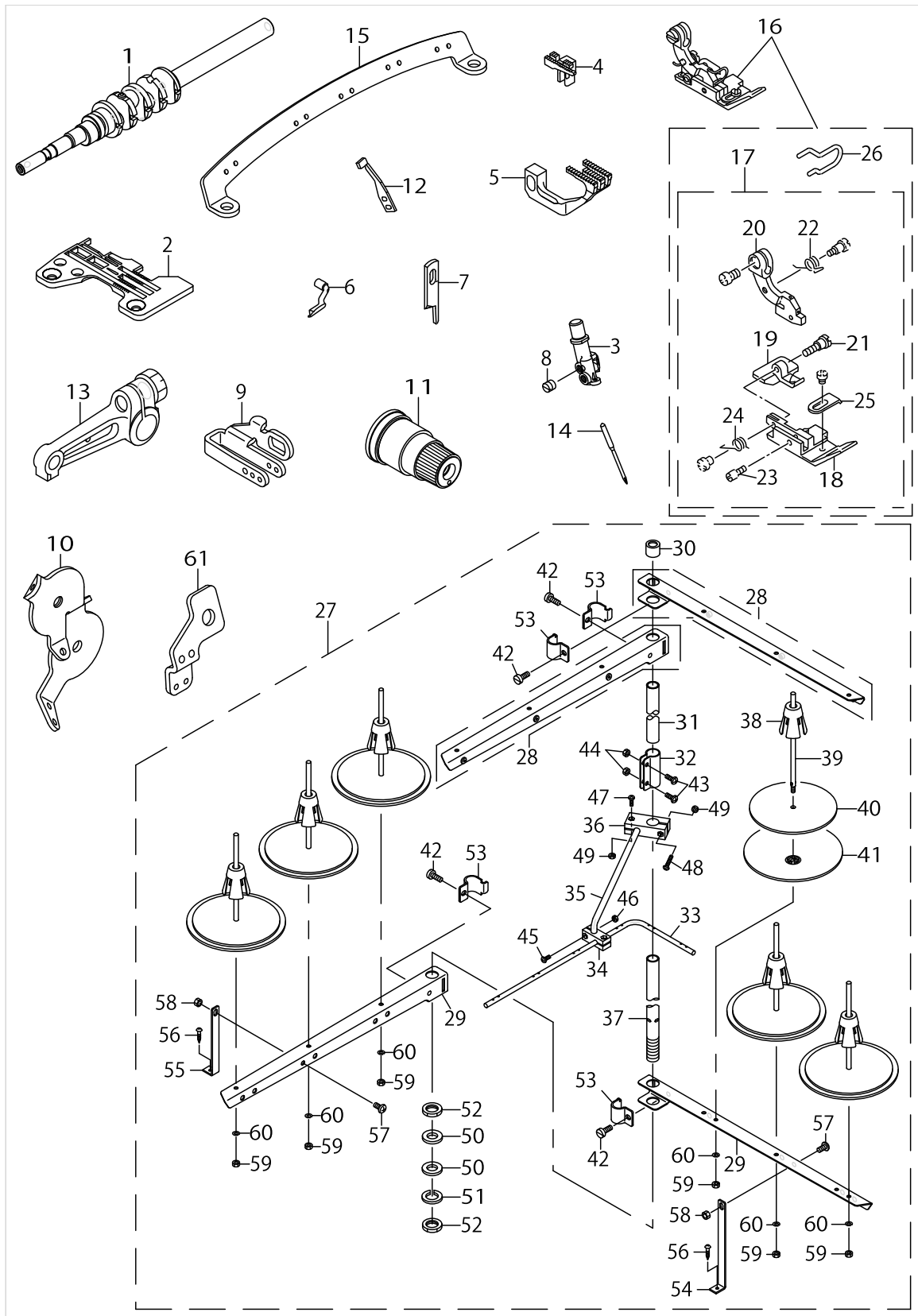
MO-6743DA-1D6-40H

No.	Parts No.	Parts name	Remarks	Level	Cons	Qty
1	40023276	MAIN SHAFT ASM.				1
2	R4612J6DE01	THROAT PLATE				1
3	12275004	CHAIN LOOPER NEEDLE CLAMP				1
4	11884004	MAIN FEED DOG				1
5	12173308	DIFFERENTIAL FEED DOG				1
6	12176103	UPPER LOOPER				1
7	13150503	KNIFE				1
8	SS8080310TP	SCREW 1/8-44 L=2.8				1
9	13209002	NEEDLE THREAD GUIDE, 3-NEEDLE				1
10	13225305	TENSION DISK THREAD GUIDE				1
11	13137559	THREAD TENSION SPRING JUNCTION				1
12	11999406	NEEDLE HOLDER				1
13	13131156	UPPER LOOPER ARM ASM.				1
14	MDC270B1100	NEEDLE DCX27 #11				1
15	13225206	THREAD GUIDE				1
16	11878063	PRESSER FOOT ASM.				1
17	11878055	PRESSER FOOT ASM.		*		1
18	B1507843F00	PRESSER FOOT		*		1
19	11875507	REAR PRESSER FOOT		*		1
20	11872207	PRESSER FOOT HINGE		*		1
21	B1511816000	HINGE SCREW		*		1
22	B151581600B	PRESSER FOOT ARM SPRING B		*		1
23	B1510816000	HINGE PIN		*		1
24	B1512816000	SPRING, FOR REAR PRESSER FOOT		*		1
25	B1530816D00	AUXILIARY STOPPER		*		1
26	11820800	FINGER GUARD		*		1
27	13168653	THREAD STAND ASM.				1
28	13168356	THREAD STANDING ARM ASM. ,LONG		*		2
29	13168307	THREAD STANDING ARM ,LONG		*		2
30	22931406	SPOOL REST ROD RUBBER CAP		*		1
31	22930408	SPOOL REST ROD, UPPER		*		1
32	22931307	SPOOL REST ROD JOINT		*		1
33	13167903	THREAD STANDING THREAD GUIDE		*		1
34	13168000	THREAD GUIDE BASE, LOWER		*		1
35	13168109	THREAD GUIDE ARM BASE		*		1
36	13168208	THREAD GUIDE ARM BASE		*		1
37	22930309	SPOOL REST ROD, LOWER		*		1
38	22931109	SPOOL RETAINER		*		6
39	22931000	SPOOL PIN		*		6
40	22930903	SPOOL REST CUSHION		*		6
41	22930804	SPOOL REST		*		6
42	SM6061610SC	SCREW M6 L=16		*		4
43	SM4051405SE	SCREW M5 L=14		*		2
44	NM6050001SE	NUT M5		*		2
45	SM4041001SC	SCREW M4X0.7 L=10		*		2
46	NM6040002SE	NUT M4X0.7		*		2
47	SM4041201SC	SCREW M4 L=12		*		1



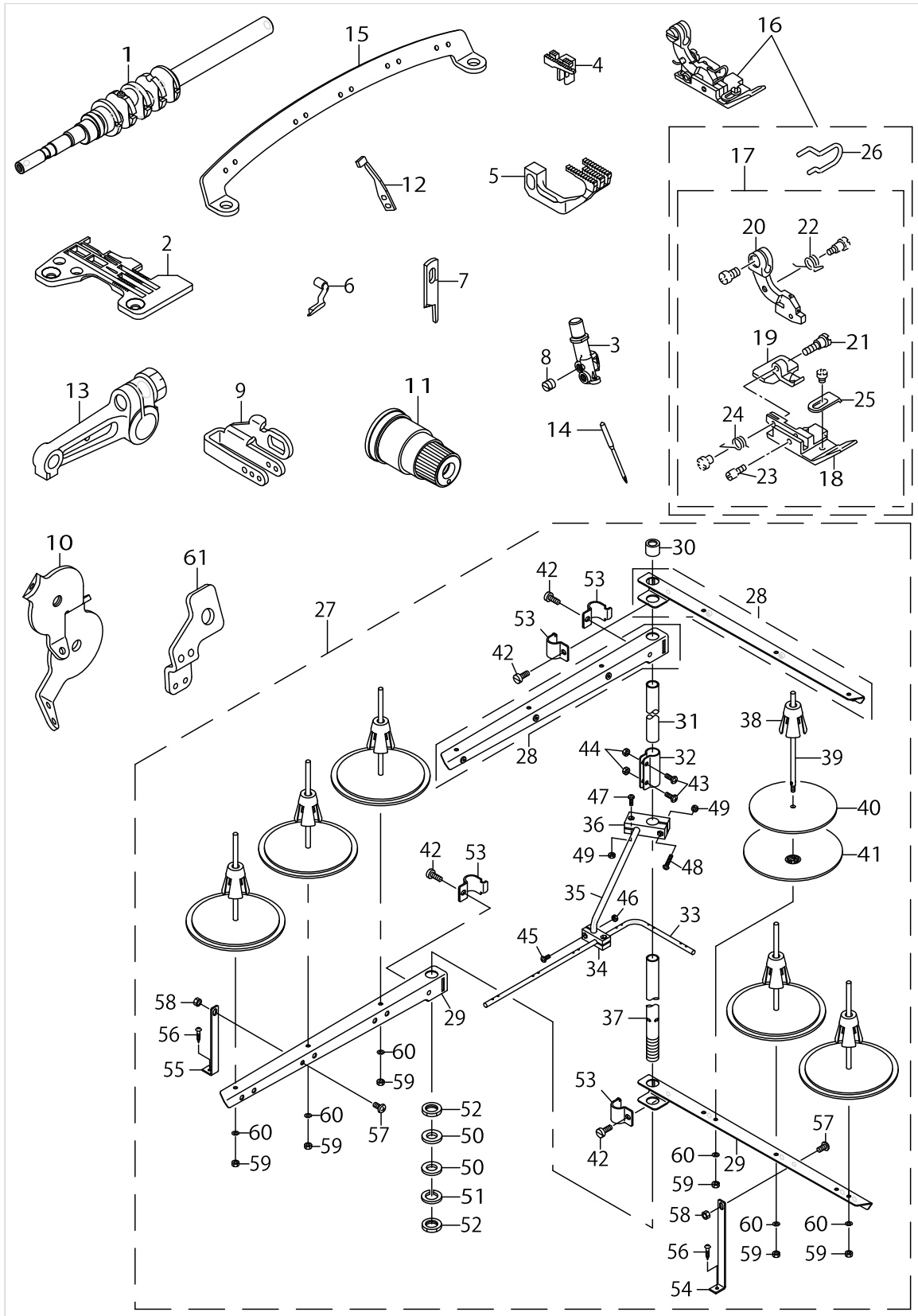
MO-6743DA-1D6-40H

No.	Parts No.	Parts name	Remarks	Level	Cons	Qty
48	SM4042001SC	SCREW M4 X 20		*		1
49	NM6040002SE	NUT M4X0.7		*		2
50	WP1612616SE	WASHER 16X30X2.6		*		2
51	WS1643202KR	SPRING WASHER		*		1
52	NM6160511SE	NUT M16X1.5		*		2
53	22930705	THREAD GUIDE ARM JOINT		*		4
54	13168505	THREAD STANDING ARM SUPPORT B		*		1
55	13168406	THREAD STANDING ARM SUPPORT A		*		1
56	SK3382001SE	SCREW D=3.8 L=20		*		2
57	SM4061201SE	SCREW M6 L=12		*		2
58	NM6060001SE	NUT M6		*		2
59	NM6050001SE	NUT M5		*		6
60	WS0510002KN	SPRING WASHER		*		6
61	12281804	TAKE-UP LEVER GUIDE, 2-NEEDLE				1



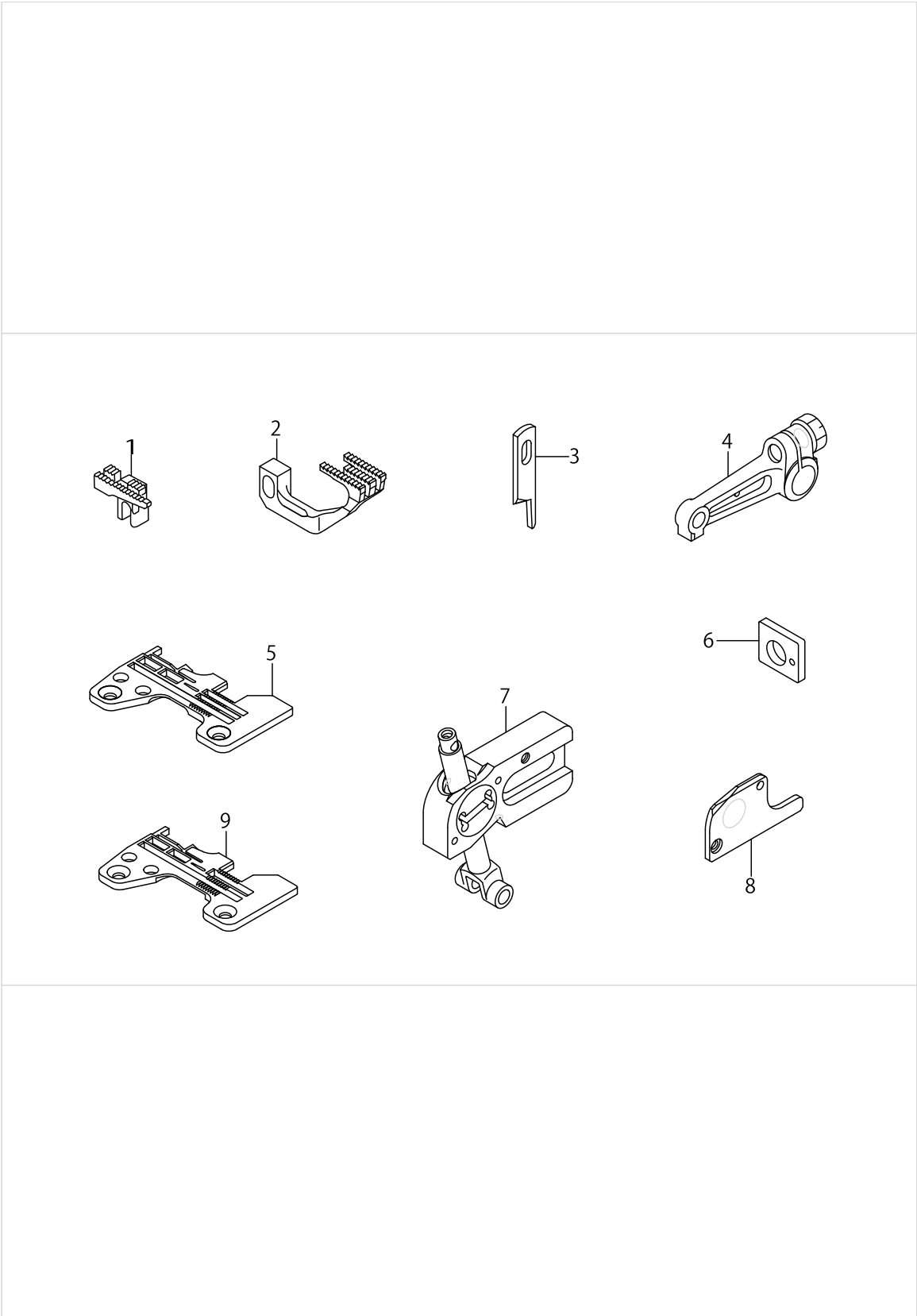
MO-6743DA-2D6-40H

No.	Parts No.	Parts name	Remarks	Level	Cons	Qty
1	40023276	MAIN SHAFT ASM.				1
2	R4608J6DE01	THROAT PLATE				1
3	12150504	CHAIN LOOPER NEEDLE CLAMP				1
4	11882305	MAIN FEED DOG				1
5	12173308	DIFFERENTIAL FEED DOG				1
6	12176103	UPPER LOOPER				1
7	13150503	KNIFE				1
8	SS8080310TP	SCREW 1/8-44 L=2.8				1
9	13209002	NEEDLE THREAD GUIDE, 3-NEEDLE				1
10	13225305	TENSION DISK THREAD GUIDE				1
11	13137559	THREAD TENSION SPRING JUNCTION				1
12	11999406	NEEDLE HOLDER				1
13	13131156	UPPER LOOPER ARM ASM.				1
14	MDC270B1100	NEEDLE DCX27 #11				1
15	13225206	THREAD GUIDE				1
16	11877966	PRESSER FOOT ASM.				1
17	11877958	PRESSER FOOT ASM.		*		1
18	B1507843D00	PRESSER FOOT		*		1
19	11875408	REAR PRESSER FOOT		*		1
20	11872116	PRESSER FOOT HINGE		*		1
21	B1511816000	HINGE SCREW		*		1
22	B1515816000	PRESSER FOOT ARM SPRING		*		1
23	B1510816000	HINGE PIN		*		1
24	B1512816000	SPRING, FOR REAR PRESSER FOOT		*		1
25	B1530816D00	AUXILIARY STOPPER		*		1
26	11820800	FINGER GUARD		*		1
27	13168653	THREAD STAND ASM.				1
28	13168356	THREAD STANDING ARM ASM. ,LONG		*		2
29	13168307	THREAD STANDING ARM ,LONG		*		2
30	22931406	SPOOL REST ROD RUBBER CAP		*		1
31	22930408	SPOOL REST ROD, UPPER		*		1
32	22931307	SPOOL REST ROD JOINT		*		1
33	13167903	THREAD STANDING THREAD GUIDE		*		1
34	13168000	THREAD GUIDE BASE, LOWER		*		1
35	13168109	THREAD GUIDE ARM BASE		*		1
36	13168208	THREAD GUIDE ARM BASE		*		1
37	22930309	SPOOL REST ROD, LOWER		*		1
38	22931109	SPOOL RETAINER		*		6
39	22931000	SPOOL PIN		*		6
40	22930903	SPOOL REST CUSHION		*		6
41	22930804	SPOOL REST		*		6
42	SM6061610SC	SCREW M6 L=16		*		4
43	SM4051405SE	SCREW M5 L=14		*		2
44	NM6050001SE	NUT M5		*		2
45	SM4041001SC	SCREW M4X0.7 L=10		*		2
46	NM6040002SE	NUT M4X0.7		*		2
47	SM4041201SC	SCREW M4 L=12		*		1



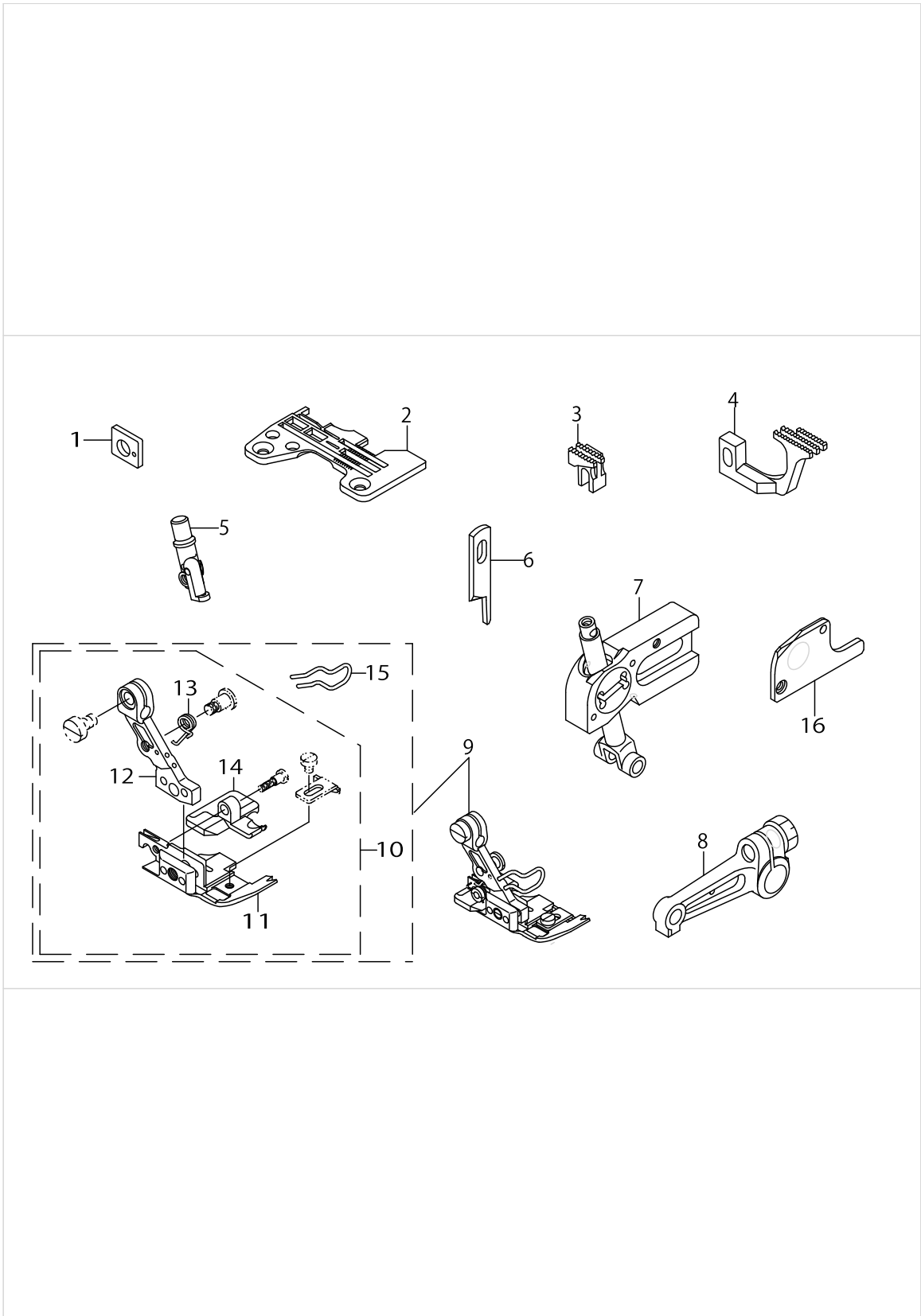
MO-6743DA-2D6-40H

No.	Parts No.	Parts name	Remarks	Level	Cons	Qty
48	SM4042001SC	SCREW M4 X 20		*		1
49	NM6040002SE	NUT M4X0.7		*		2
50	WP1612616SE	WASHER 16X30X2.6		*		2
51	WS1643202KR	SPRING WASHER		*		1
52	NM6160511SE	NUT M16X1.5		*		2
53	22930705	THREAD GUIDE ARM JOINT		*		4
54	13168505	THREAD STANDING ARM SUPPORT B		*		1
55	13168406	THREAD STANDING ARM SUPPORT A		*		1
56	SK3382001SE	SCREW D=3.8 L=20		*		2
57	SM4061201SE	SCREW M6 L=12		*		2
58	NM6060001SE	NUT M6		*		2
59	NM6050001SE	NUT M5		*		6
60	WS0510002KN	SPRING WASHER		*		6
61	12281804	TAKE-UP LEVER GUIDE, 2-NEEDLE				1



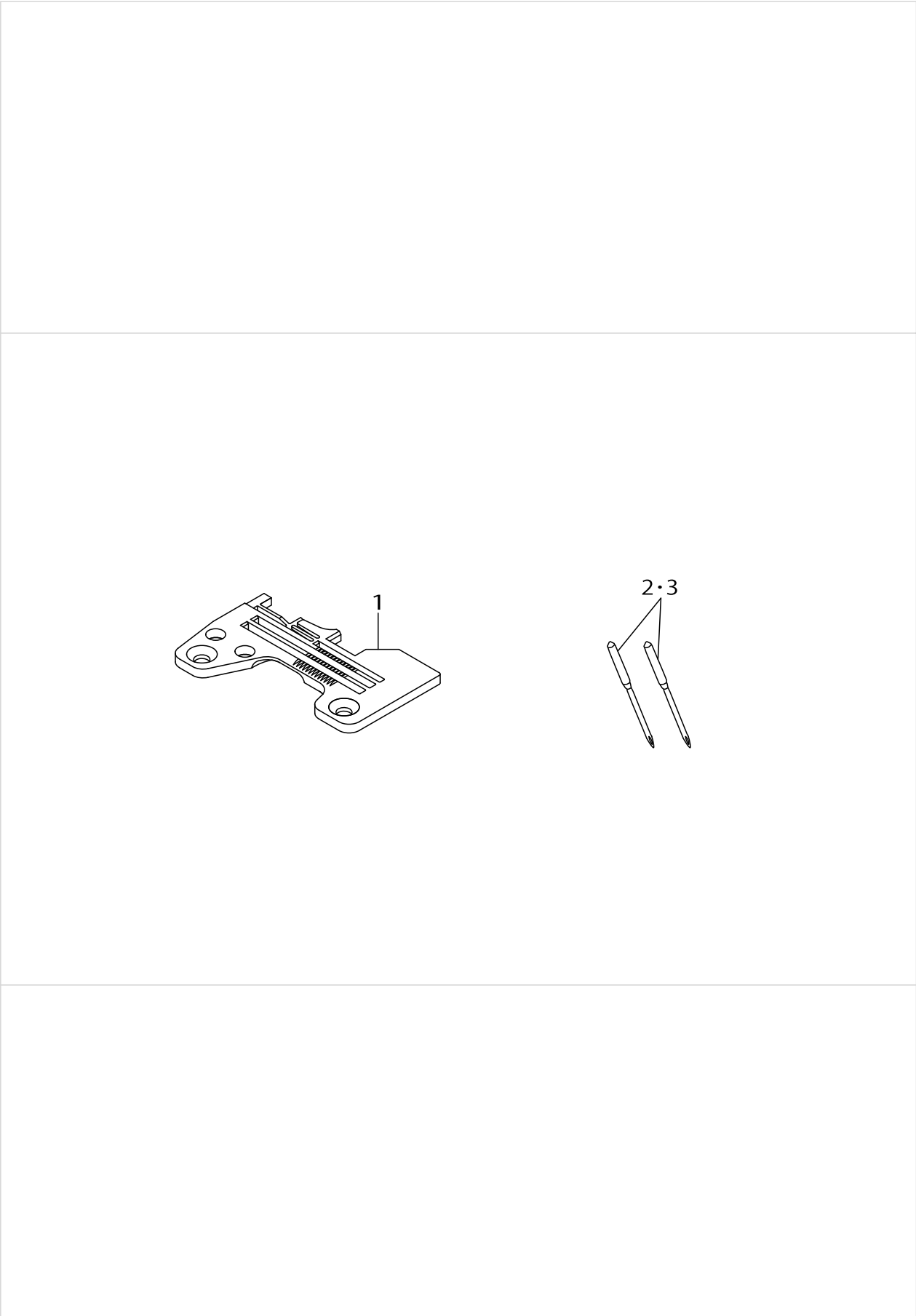
MO-6716DA-DE6-307,MO-6716DA-DF4-307

No.	Parts No.	Parts name	Remarks	Level	Cons	Qty
1	11882909	MAIN FEED DOG	FOR MO-6716DA-DE6-307			1
2	12173209	DIFFERENTIAL FEED DOG	FOR MO-6716DA-DE6-307			1
3	13150503	KNIFE	FOR MO-6716DA-DE6-307			1
4	13131156	UPPER LOOPER ARM B ASM.				1
5	R4608J6ED00	THROAT PLATE	FOR MO-6716DA-DE6-307			1
6	13131909	GUIDE SUPPORT GAUGE				1
7	40032578	GUIDE SUPPORT B ASM				1
8	40004714	UPPER LOOPER GUIDE COVER B				1
9	R4508J6FD00	THROAT PLATE	FOR MO-6716DA-DF4-307			1



MO-6716DA-FF6-307

No.	Parts No.	Parts name	Remarks	Level	Cons	Qty
1	13131909	GUIDE SUPPORT GAUGE				1
2	R4612J6FD00	THROAT PLATE				1
3	11884004	MAIN FEED DOG				1
4	12173308	DIFFERENTIAL FEED DOG				1
5	12257507	NEEDLE CLAMP, CHAIN LOOPER				1
6	13150503	KNIFE				1
7	40032578	GUIDE SUPPORT B ASM				1
8	13131156	UPPER LOOPER ARM B ASM.				1
9	12154266	PRESSER FOOT ASM.				1
10	12154258	PRESSER FOOT ASM.		*		1
11	12162707	PRESSER FOOT		*		1
12	12157004	PRESSER FOOT HINGE		*		1
13	12168001	PRESSER FOOT ARM SPRING, (B)		*		1
14	12165304	REAR PRESSER FOOT		*		1
15	12168209	FINGER GUARD		*		1
16	40004714	UPPER LOOPER GUIDE COVER B				1



MO-6714DA-BE6-207,MO-6714DA-BD6-207

No.	Parts No.	Parts name	Remarks	Level	Cons	Qty
1	R4305J6DE00	THROAT PLATE	FOR MO-6714DA-BD6-207			1
2	MDC270B0900	NEEDLE DCX27 #9				2
3	MDC270B0904	NEEDLE DCX27 #9-4EA				1

HOW TO MAKE USE OF THIS PARTS LIST

- 1.As to "#01" and "#02" refer to the "Note" given at the bottom of the respective pages.
- 2.Codes on the "Qty" column
 - Each numeral indicates the number of parts required.
 - "0.1" and "2.5" indicate the length (in meters) of the respective parts.
- 3.Parentheses mean that the corresponding part is a subpart that constructs an assembly part.
- 4.Dotted lines on the Figures indicate assembly parts.

NUMERICAL INDEX OF PARTS

PART NO	PAGE	REF NO.	PART NO	PAGE	REF NO.	PART NO	PAGE	REF NO.
11023751	10	11	11885605	26	4	12104709	18	3
11023751	42	11	11887007	2	4	12115515	8	6
11544707	6	4	11887007	4	5	12115515	28	7
11550803	32	57	11890407	6	14	12115655	8	7
11790508	6	9	11890902	30	40	12115655	28	8
11790607	6	10	11891009	30	37	12115812	8	8
11790706	6	12	11892106	30	18	12115812	28	9
11792900	2	7	11892809	32	58	12119004	28	19
11792900	4	2	11892908	32	59	12119103	28	10
11820800	46	26	11892957	32	51	12119210	12	70
11820800	50	26	11893054	30	44	12119210	38	11
11821303	38	22	11893104	30	45	12119210	40	10
11821303	40	21	11894706	30	21	12121703	28	11
11854205	32	48	11894904	28	5	12121802	28	12
11872116	50	20	11896206	32	49	12121901	28	13
11872207	46	20	11898905	2	2	12123709	6	6
11872405	30	16	11899002	2	3	12145652	30	6
11873007	26	9	11930807	38	15	12145702	30	7
11874807	18	7	11930807	40	14	12145801	30	26
11875408	50	19	11974102	12	72	12145900	30	27
11875507	46	19	11987005	6	13	12146007	30	22
11876067	2	6	11991015	40	18	12146106	30	23
11876067	4	1	11991023	38	16	12146205	30	24
11876265	24	5	11991114	38	17	12146304	30	25
11876463	26	8	11991171	38	14	12149407	6	17
11877164	6	8	11991189	38	13	12150306	28	27
11877958	50	17	11991205	38	20	12150306	30	4
11877966	50	16	11991205	40	17	12150504	50	3
11878055	46	17	11991304	38	21	12152963	14	5
11878063	46	16	11991304	40	15	12152963	20	12-17
11879368	12	71	11991908	16	1	12154258	28	22
11879954	28	4	11991908	26	11	12154258	36	10
11879962	28	3	11991908	34	3	12154258	56	10
11882008	4	3	11991908	36	7	12154266	28	21
11882305	50	4	11991908	38	7	12154266	36	9
11882503	6	11	11991908	40	7	12154266	56	9
11882909	34	5	11992104	18	8	12154852	40	12
11882909	54	1	11992161	18	6	12154860	40	11
11883006	38	3	11993508	38	19	12157004	36	14
11883303	26	3	11993508	40	13	12157004	56	12
11883402	12	68	11995206	6	3	12158002	14	8
11884004	36	3	11996600	6	2	12158002	20	15
11884004	46	4	11999406	46	12	12160305	14	7
11884004	56	3	11999406	50	12	12160305	20	14
11885001	4	4	11999604	30	30	12160909	14	6

NUMERICAL INDEX OF PARTS

PART NO	PAGE	REF NO.	PART NO	PAGE	REF NO.	PART NO	PAGE	REF NO.
12160909	20	13	13131156	24	3	13168406	48	55
12162707	36	13	13131156	26	6	13168406	52	55
12162707	56	11	13131156	34	2	13168505	48	54
12163309	40	16	13131156	36	6	13168505	52	54
12165304	36	12	13131156	38	10	13168653	46	27
12165304	56	14	13131156	40	22	13168653	50	27
12168001	36	11	13131156	46	13	13209002	46	9
12168001	56	13	13131156	50	13	13209002	50	9
12168100	40	19	13131156	54	4	13225206	46	15
12168209	28	23	13131156	56	8	13225206	50	15
12168209	36	15	13131909	54	6	13225305	46	10
12168209	56	15	13131909	56	1	13225305	50	10
12170908	40	5	13132006	16	2	22930309	46	37
12171302	28	1	13132006	20	7	22930309	50	37
12171500	8	4	13132006	22	4	22930408	46	31
12171609	28	25	13132006	26	5	22930408	50	31
12171807	12	69	13137559	38	9	22930705	48	53
12172003	8	5	13137559	46	11	22930705	52	53
12173209	34	6	13137559	50	11	22930804	46	41
12173209	54	2	13138359	18	1	22930804	50	41
12173308	36	4	13138359	28	24	22930903	46	40
12173308	46	5	13140652	30	43	22930903	50	40
12173308	50	5	13150503	28	20	22931000	46	39
12173308	56	4	13150503	32	50	22931000	50	39
12173506	38	4	13150503	34	7	22931109	46	38
12174306	28	2	13150503	36	8	22931109	50	38
12174504	40	6	13150503	38	8	22931307	46	32
12174702	28	26	13150503	40	4	22931307	50	32
12176103	14	4	13150503	46	7	22931406	46	30
12176103	20	9	13150503	50	7	22931406	50	30
12176103	22	5	13150503	54	3	22934202	10	14
12176103	46	6	13150503	56	6	22934202	42	14
12176103	50	6	13150602	18	9	22934301	10	15
12257507	36	5	13167903	46	33	22934301	42	15
12257507	38	5	13167903	50	33	22934400	10	16
12257507	40	8	13168000	46	34	22934400	42	16
12257507	56	5	13168000	50	34	22934509	10	13
12275004	46	3	13168109	46	35	22934509	42	13
12281804	48	61	13168109	50	35	40004713	20	11
12281804	52	61	13168208	46	36	40004713	22	3
13105309	30	5	13168208	50	36	40004714	24	2
13106257	18	5	13168307	46	29	40004714	54	8
13129309	6	15	13168307	50	29	40004714	56	16
13129309	32	60	13168356	46	28	40023276	16	4
13131156	16	3	13168356	50	28	40023276	20	1

NUMERICAL INDEX OF PARTS

PART NO	PAGE	REF NO.	PART NO	PAGE	REF NO.	PART NO	PAGE	REF NO.
40023276	22	1	B211784500B	30	32	MAS10701000	42	5
40023276	26	1	B2121845000	30	34	MAS107010A0	10	2
40023276	34	1	B2314019000	32	52	MAS107010A0	42	2
40023276	36	1	B2528845000	30	38	MAS107010C0	10	9
40023276	38	1	B3105804000	10	38	MAS107010C0	42	9
40023276	40	1	B3105804000	42	41	MAS10702000	10	10
40023276	46	1	B3113352000	28	28	MAS10702000	42	10
40023276	50	1	B3116125000	10	39	MAS10703000	10	26
40026881	30	1	B3116125000	42	42	MAS10703000	42	26
40026885	30	17	B3120125000	10	40	MAS10704000	10	3
40031381	30	3	B3120125000	32	53	MAS10704000	42	3
40031382	30	2	B3120125000	42	43	MAS12512000	44	75
40031637	30	15	B3120352000	32	56	MAS159000A0	42	1
40032574	20	10	B3126012000	32	55	MAS15901000	10	29
40032574	22	2	CS0790811SP	10	42	MAS15901000	42	29
40032578	24	1	CS0790811SP	42	46	MAS159010A0	42	28
40032578	54	7	MAL121000A0	18	4	MAS15902000	10	30
40032578	56	7	MAL12115000	12	58	MAS15902000	42	30
40032592	8	9	MAL12115000	44	64	MAS15903000	10	31
40032592	28	6	MAL12116000	12	59	MAS15903000	42	31
B1427816000	30	8	MAL12116000	44	65	MAS15904000	10	32
B1428816000	30	9	MAN0770F0A0	30	41	MAS15904000	42	32
B150781400P	24	6	MAQ141000A0	14	9	MAS15905000	10	33
B1507843D00	50	18	MAQ141000A0	20	16	MAS15905000	42	33
B1507843F00	46	18	MAS05108000	42	38	MAS15906000	12	55
B1509804C0A	24	7	MAS05202000	10	41	MAS15906000	44	61
B1509804C0A	26	10	MAS05202000	42	44	MAS159060A0	12	54
B150981400P	12	73	MAS05205000	10	37	MAS159060A0	44	60
B1510816000	46	23	MAS05205000	42	40	MAS15907000	12	56
B1510816000	50	23	MAS05208000	10	35	MAS15907000	44	62
B1511357000	30	19	MAS05212000	10	36	MAS15908000	42	34
B1511816000	46	21	MAS05212000	42	39	MAS15909000	42	35
B1511816000	50	21	MAS05714000	42	45	MAS15910000	42	36
B1512816000	46	24	MAS057180A0	44	76	MAS15911000	10	34
B1512816000	50	24	MAS05719000	44	77	MAS15911000	42	37
B1515816000	50	22	MAS05720000	44	78	MAS15912000	44	72
B151581600B	38	18	MAS10501000	10	17	MAS159120A0	44	71
B151581600B	40	20	MAS10501000	42	17	MAS159130A0	44	73
B151581600B	46	22	MAS10502000	10	24	MAS15914000	44	74
B1530816D00	46	25	MAS10502000	42	24	MAS15915000	12	57
B1530816D00	50	25	MAS10503000	10	21	MAS15915000	44	63
B2017372000	32	54	MAS10503000	42	21	MAS162000A0	10	1
B2109816000	30	35	MAS10504000	10	25	MAS162010A0	10	28
B2110845000	30	33	MAS10504000	42	25	MDC100B0800	2	5
B211784500A	30	31	MAS10701000	10	5	MDC100B0800	4	6

NUMERICAL INDEX OF PARTS

PART NO	PAGE	REF NO.	PART NO	PAGE	REF NO.	PART NO	PAGE	REF NO.
MDC270B0900	18	2	R4300J6FE0B	26	2	SM6061402TP	40	3
MDC270B0900	20	2·4·8	R4305J6BE0A	8	1	SM6061610SC	46	42
MDC270B0900	22	6·7	R4305J6DE00	14	10	SM6061610SC	50	42
MDC270B0900	58	2·3	R4305J6DE00	20	3	SM9061203SE	10	12
MDC270B0904	22	6·7	R4305J6DE00	58	1	SM9061203SE	42	12
MDC270B0904	58	2·3	R4305J6DE0A	8	2	SM9083013SC	10	4
MDC270B1100	20	2·4·8	R4305J6EE00	14	11	SM9083013SC	42	4
MDC270B1100	46	14	R4305J6EE0A	12	67	SM9084533SC	10	8
MDC270B1100	50	14	R4305J6EE0B	8	3	SM9084533SC	42	8
MDC270B1400	6	16	R4308J6FE0B	6	1	SS4090715SP	12	51
MDC270B1400	14	3	R4508J6ED0A	28	17	SS4090715SP	44	55
MDC270B1400	20	2·4·8	R4508J6ED0C	34	4	SS6060340SP	30	28
MDC270B1400	26	7	R4508J6FD00	54	9	SS6080410SP	6	5
MDC270B1400	30	42	R4512J6FD0A	28	18	SS6090630TP	30	39
MDC270B1400	40	9	R4608J6DE01	50	2	SS6090650SP	10	46
MDC270B1600	38	12	R4608J6ED00	34	8	SS6090650SP	44	50
NM6040002SE	46	49	R4608J6ED00	54	5	SS6110650TP	12	47
NM6040002SE	48	49	R4612J6DE01	46	2	SS6110650TP	44	51
NM6040002SE	50	49	R4612J6FD00	36	2	SS6110710TP	12	50
NM6040002SE	52	49	R4612J6FD00	56	2	SS6110710TP	44	54
NM6050001SE	46	59	R4612J6FD0A	40	2	SS6151040SP	44	84
NM6050001SE	48	59	R4612J6FF00	38	2	SS7060510SP	30	11
NM6050001SE	50	59	R4612J6HG00	38	23	SS7090510SP	30	46
NM6050001SE	52	59	SD0370401SP	30	20	SS7091110TP	14	2
NM6050001SP	12	63	SD0550501SP	10	22	SS7091110TP	20	6
NM6050001SP	44	68	SD0550501SP	42	22	SS7110340SP	12	65
NM6060001SE	48	58	SD0600352SP	12	60	SS7110340SP	44	70
NM6060001SE	52	58	SD0600352SP	44	66	SS7110710SL	30	14
NM6080600SM	10	7	SD0790801SP	12	61	SS7110710SP	12	52
NM6080600SM	42	7	SK3382001SE	48	56	SS7110710SP	44	83
NM6160511SE	48	52	SK3382001SE	52	56	SS7110720SP	12	53
NM6160511SE	52	52	SM4040655SP	30	13	SS7110720SP	44	58
NS6090310SP	44	79	SM4041001SC	46	45	SS7110840SP	12	66
NS6110310SP	44	80	SM4041001SC	50	45	SS7110840SP	30	47
NS6110350SP	12	62	SM4041055SP	28	16	SS7110840SP	44	82
NS6110350SP	44	67	SM4041201SC	46	47	SS7110910SP	44	59
NS6160520SP	10	43	SM4041201SC	50	47	SS8080310TP	46	8
NS6160520SP	44	47	SM4042001SC	48	48	SS8080310TP	50	8
PD02010000D	10	27	SM4042001SC	52	48	SS8090410SP	44	56
PD02010000D	42	27	SM4050855SP	28	15	SS8110422TP	6	7
PS0200062KH	30	36	SM4051405SE	46	43	SS8110520TP	12	49
R4100J6AC00	4	7	SM4051405SE	50	43	SS8110520TP	44	53
R4200J6AC00	2	1	SM4061201SE	48	57	SS9090610TP	30	29
R4200J6DD00	18	10	SM4061201SE	52	57	SS9090640SP	44	81
R4200J6FD00	24	4	SM6061402TP	38	6	SS9111010SP	28	14

NUMERICAL INDEX OF PARTS

PART NO	PAGE	REF NO.
SS9151210TP	6	18
SS9151210TP	10	23
SS9151210TP	32	61
SS9151210TP	42	23
SS9681610TP	10	19
SS9681610TP	42	19
WP0250516SD	30	10
WP0371016SD	14	1
WP0371016SD	20	5
WP0480856SP	10	44
WP0480856SP	44	48
WP0740516SP	10	18
WP0740516SP	42	18
WP0850002SC	10	6
WP0850002SC	42	6
WP1612616SE	48	50
WP1612616SE	52	50
WS0510002KN	48	60
WS0510002KN	52	60
WS1643202KR	48	51
WS1643202KR	52	51
WZ0640312K0	12	64
WZ0640312K0	44	69
WZ0850302K0	10	45
WZ0850302K0	44	49