

**MO-6500S**

**PARTS LIST**

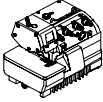

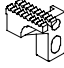


---

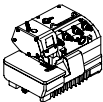


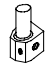

[www.college-sewing.co.uk](http://www.college-sewing.co.uk)

# CONTENTS

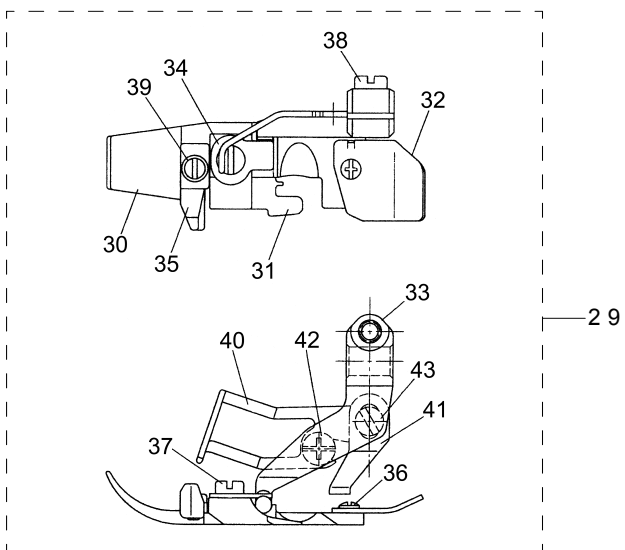
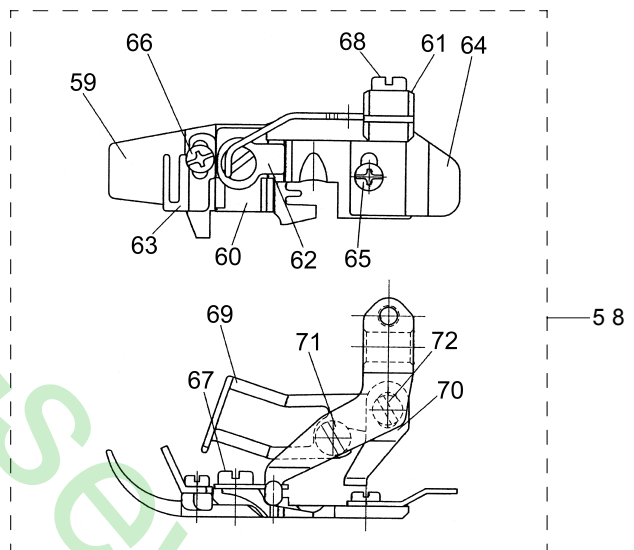
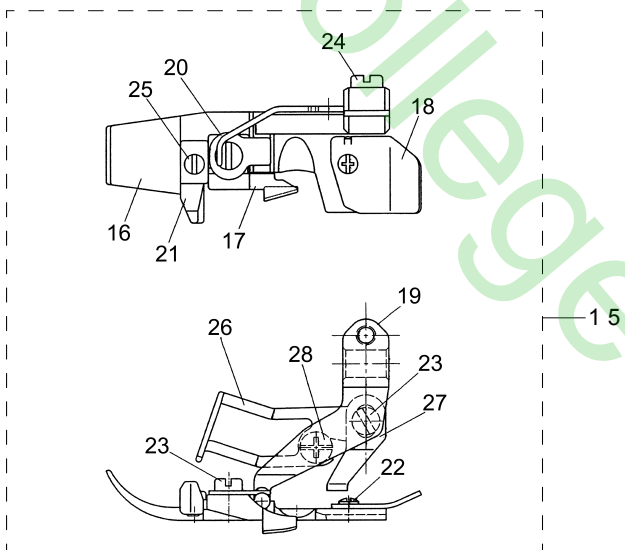
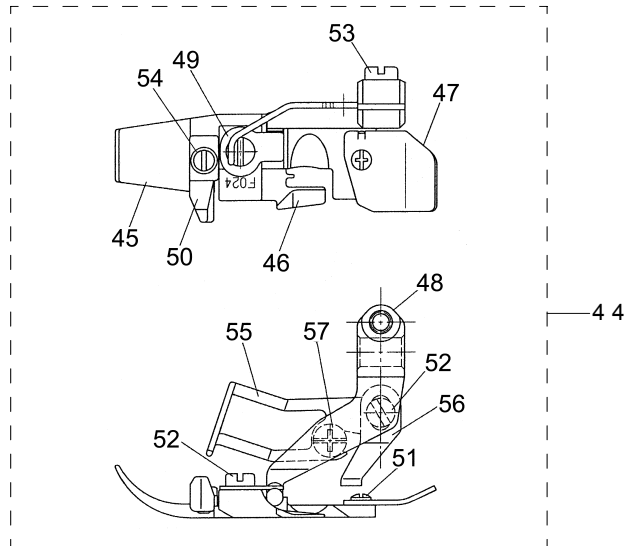
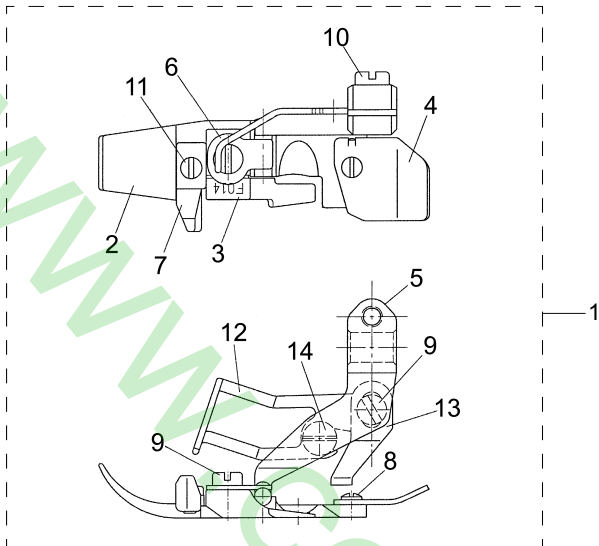
|                                                                 |    |
|-----------------------------------------------------------------|----|
| 1. MO-6500S GAUGE TABLE.....                                    | 1  |
| 2. MO-6500S GAUGE TABLE PRESSER FOOT COMPONENTS (1)(OVER).....  | 2  |
| 3. MO-6500S GAUGE TABLE PRESSER FOOT COMPONENTS (2)(INTER)..... | 4  |
| 4. MISCELLANEOUS COVER COMPONENTS (1).....                      | 6  |
| 5. MISCELLANEOUS COVER COMPONENTS (2).....                      | 8  |
| 6. MISCELLANEOUS COVER COMPONENTS (3).....                      | 10 |
| 7. CRANKSHAFT COMPONENTS .....                                  | 12 |
| 8. NEEDLE DRIVING SHAFT COMPONENTS .....                        | 14 |
| 9. THREAD TENSION COMPONENTS.....                               | 16 |
| 10. UPPER LOOPER COMPONENTS .....                               | 18 |
| 11. LOWER LOOPER COMPONENTS .....                               | 20 |
| 12. CHAIN LOOPER COMPONENTS (1)(FOR MO-6516S).....              | 22 |
| 13. CHAIN LOOPER COMPONENTS (2).....                            | 24 |
| 14. FEED MECHANISM COMPONENTS (1).....                          | 26 |
| 15. FEED MECHANISM COMPONENTS (2).....                          | 28 |
| 16. KNIFE COMPONENTS .....                                      | 30 |
| 17. PRESSER FOOT COMPONENTS .....                               | 32 |
| 18. LUBRICATION MECHANISM COMPONENTS .....                      | 34 |
| 19. THREAD STAND COMPONENTS (FOR MO-6504S) .....                | 36 |
| 20. THREAD STAND COMPONENTS (FOR MO-6514S) .....                | 38 |
| 21. THREAD STAND COMPONENTS (FOR MO-6516S).....                 | 40 |
| 22. THREAD STAND COMPONENTS (FOR MO-6543S).....                 | 42 |
| 23. SEMI-SUNKEN TYPE TABLE COMPONENTS .....                     | 44 |
| 24. FULLY-SUNKEN TYPE TABLE COMPONENTS .....                    | 46 |
| 25. ACCESSORIES PARTS COMPONENTS.....                           | 47 |
| 26. SPECIAL ORDER PARTS COMPONENTS .....                        | 48 |
| 27. PACKING COMPONENTS .....                                    | 49 |
| NUMERICAL INDEX OF PARTS.....                                   | 50 |

# 1. MO-6500S GAUGE TABLE

|  |  |  |  |  |
|-----------------------------------------------------------------------------------|-----------------------------------------------------------------------------------|-----------------------------------------------------------------------------------|-------------------------------------------------------------------------------------|-------------------------------------------------------------------------------------|
| MODEL                                                                             | NEEDLE PLATE                                                                      | FEED DOG                                                                          | FEED DOG                                                                            | FEED DOG                                                                            |
| MO-6504S-0E6-40K                                                                  | 700-00769                                                                         | 700-00778                                                                         | 700-00782                                                                           | 700-00785                                                                           |
| MO-6504S-0A4-150                                                                  | 700-00770                                                                         | 700-00779                                                                         | 700-00783                                                                           | 700-00786                                                                           |
| MO-6504S-0F6-40K                                                                  | 700-00771                                                                         | 700-00778                                                                         | 700-00784                                                                           | 700-00785                                                                           |
| MO-6514S-BE6-20K                                                                  | 700-00818                                                                         | 700-00778                                                                         | 700-00782                                                                           | 700-00785                                                                           |
| MO-6514S-BE6-40K                                                                  | 700-00772                                                                         | 700-00778                                                                         | 700-00782                                                                           | 700-00785                                                                           |
| MO-6514S-BE6-34K/G43/Q142                                                         | 700-00772                                                                         | 700-00778                                                                         | 700-00782                                                                           | 700-00785                                                                           |
| MO-6514S-BE6-24K/G43/Q142                                                         | 700-00772                                                                         | 700-00778                                                                         | 700-00782                                                                           | 700-00785                                                                           |
| MO-6514S-BE6-20W                                                                  | 700-00818                                                                         | 700-00778                                                                         | 700-00782                                                                           | 700-00785                                                                           |
| MO-6514S-BE6-40W                                                                  | 700-00772                                                                         | 700-00778                                                                         | 700-00782                                                                           | 700-00785                                                                           |
| MO-6514S-BE7-44W/G43/Q142                                                         | 700-00773                                                                         | 700-00780                                                                         | 700-00782                                                                           | 700-00787                                                                           |
| MO-6516S-DF6-40K                                                                  | 700-00774                                                                         | 700-00781                                                                         | 700-00782                                                                           | 700-00788                                                                           |
| MO-6516S-FF6-40K                                                                  | 700-00775                                                                         | 700-00781                                                                         | 700-00782                                                                           | 700-00789                                                                           |
| MO-6543S-2E6-40K                                                                  | 700-00776                                                                         | 700-00781                                                                         | 700-00782                                                                           | 700-00789                                                                           |
| MO-6543S-1E6-40K                                                                  | 700-00777                                                                         | 700-00781                                                                         | 700-00782                                                                           | 700-00789                                                                           |

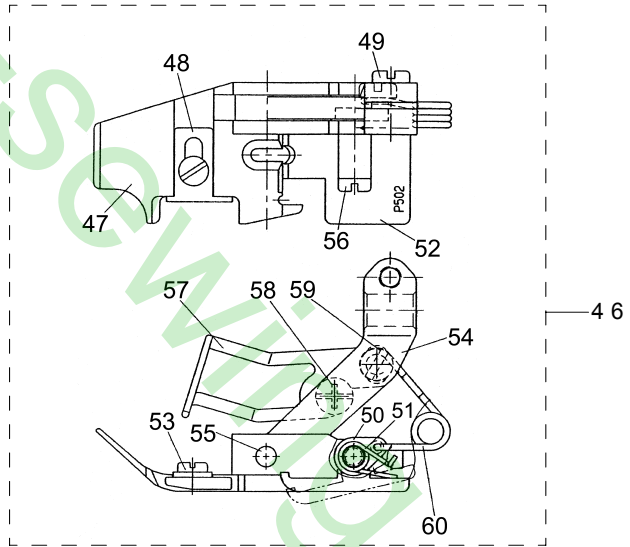
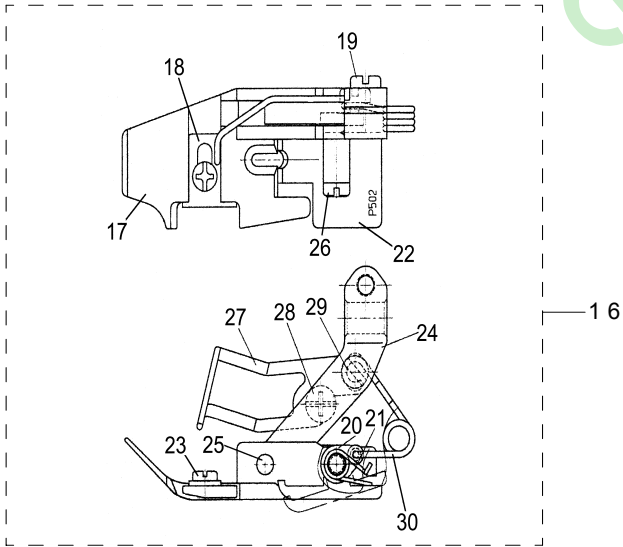
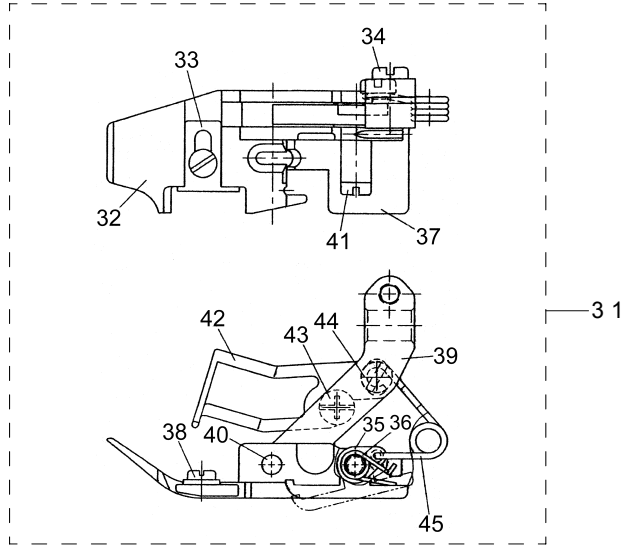
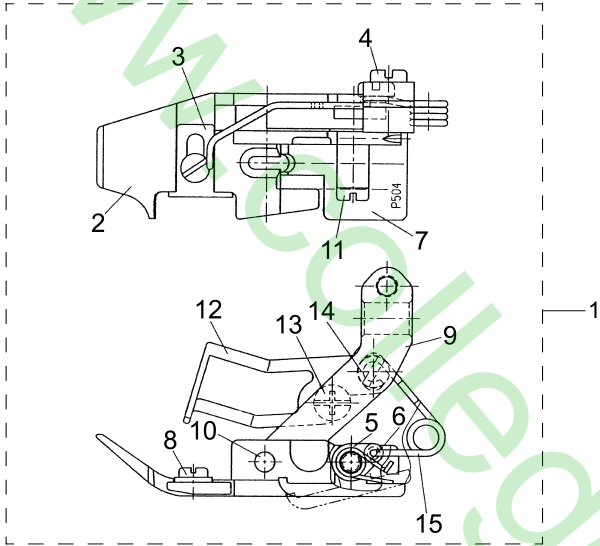
|  |  |  |  |  |
|-------------------------------------------------------------------------------------|-------------------------------------------------------------------------------------|-------------------------------------------------------------------------------------|---------------------------------------------------------------------------------------|---------------------------------------------------------------------------------------|
| MODEL                                                                               | PRESSER FOOT                                                                        | LOOPER                                                                              | NEEDLE CLAMP                                                                          | NEEDLE                                                                                |
| MO-6504S-0E6-40K                                                                    | 700-00790                                                                           | 700-00798                                                                           | 700-00801                                                                             | DCX27#11                                                                              |
| MO-6504S-0A4-150                                                                    | 700-00791                                                                           | 700-00798                                                                           | 700-00801                                                                             | DCX27#8                                                                               |
| MO-6504S-0F6-40K                                                                    | 700-00790                                                                           | 700-00798                                                                           | 700-00801                                                                             | DCX27#11                                                                              |
| MO-6514S-BE6-20K                                                                    | 700-00819                                                                           | 700-00238                                                                           | 700-00802                                                                             | DCX27#9X2                                                                             |
| MO-6514S-BE6-40K                                                                    | 700-00792                                                                           | 700-00238                                                                           | 700-00802                                                                             | DCX27#11X2                                                                            |
| MO-6514S-BE6-34K/G43/Q142                                                           | 700-00793                                                                           | 700-00238                                                                           | 700-00802                                                                             | DCX27#11X2                                                                            |
| MO-6514S-BE6-24K/G43/Q142                                                           | 700-00793                                                                           | 700-00238                                                                           | 700-00802                                                                             | DCX27#9X2                                                                             |
| MO-6514S-BE6-20W                                                                    | 700-00819                                                                           | 700-00800                                                                           | 700-00802                                                                             | DCX27#9X2                                                                             |
| MO-6514S-BE6-40W                                                                    | 700-00792                                                                           | 700-00799                                                                           | 700-00802                                                                             | DCX27#11X2                                                                            |
| MO-6514S-BE7-44W/G43/Q142                                                           | 700-00793                                                                           | 700-00800                                                                           | 700-00802                                                                             | DCX27#14X2                                                                            |
| MO-6516S-DF6-40K                                                                    | 700-00794                                                                           | 700-00238                                                                           | 700-00803                                                                             | DCX27#14X2                                                                            |
| MO-6516S-FF6-40K                                                                    | 700-00795                                                                           | 700-00238                                                                           | 700-00804                                                                             | DCX27#14X2                                                                            |
| MO-6543S-2E6-40K                                                                    | 700-00796                                                                           | 700-00238                                                                           | 700-00805                                                                             | DCX27#11X3                                                                            |
| MO-6543S-1E6-40K                                                                    | 700-00797                                                                           | 700-00238                                                                           | 700-00806                                                                             | DCX27#11X3                                                                            |

2. MO-6500S GAUGE TABLE PRESSER FOOT COMPONENTS (1)(OVER)



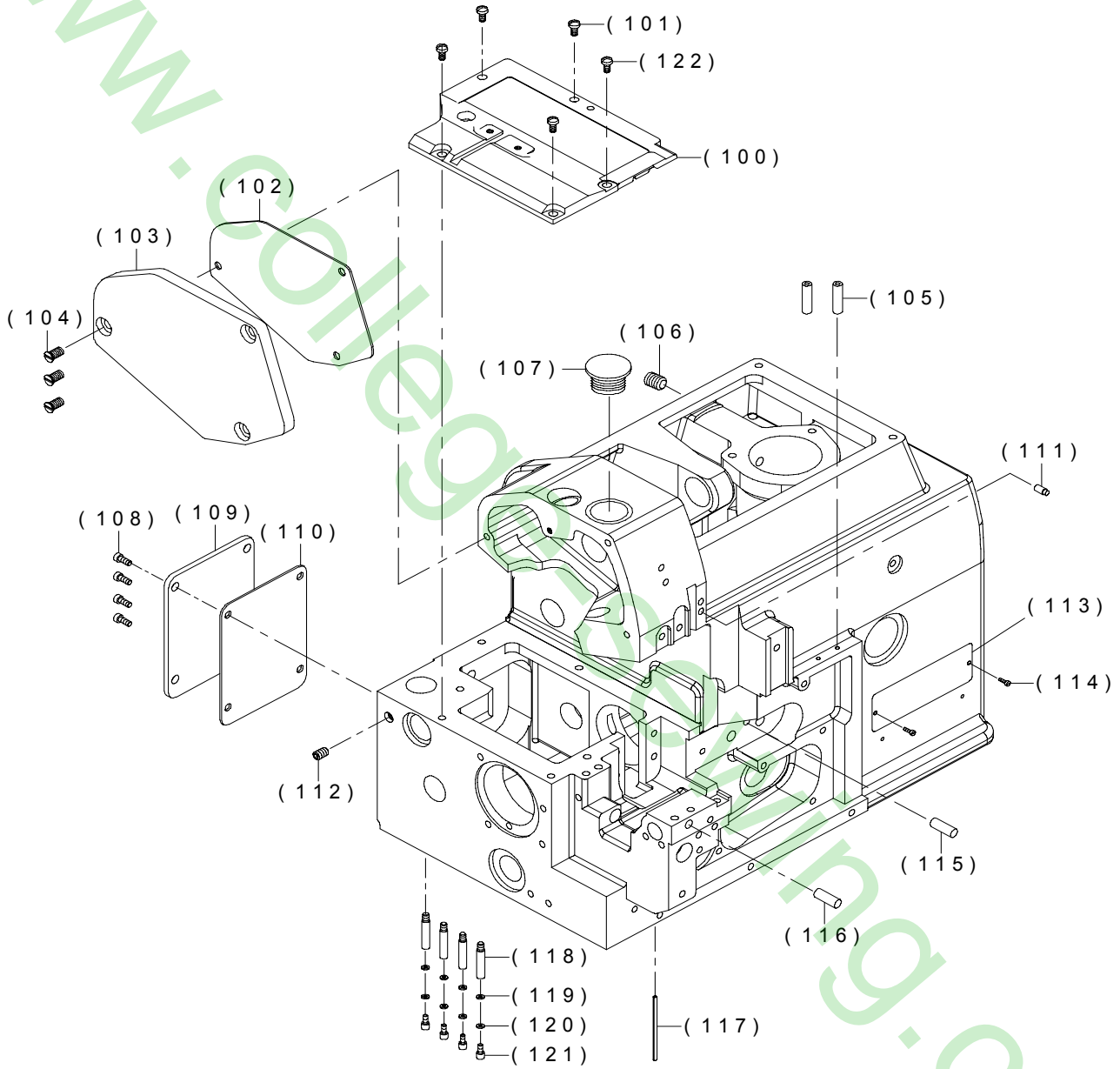
| REF.NO | NOTE | PART NO   | DESCRIPTION        | Qty |
|--------|------|-----------|--------------------|-----|
| 1      |      | 700-00790 | PRESSER FOOT ASM.  | 1   |
| 2      |      | 700-00868 | PRESSER FOOT       | (1) |
| 3      |      | 700-00855 | STITCH TONGUE      | (1) |
| 4      |      | 700-00862 | REAR PRESSER FOOT  | (1) |
| 5      |      | 700-00859 | PRESSER FOOT HINGE | (1) |
| 6      |      | 700-00860 | SPRING             | (1) |
| 7      |      | 700-00861 | CURL GUARD         | (1) |
| 8      |      | 700-00879 | E_SCREW            | (1) |
| 9      |      | 700-00500 | E_SCREW            | (2) |
| 10     |      | 700-00505 | E_SCREW            | (1) |
| 11     |      | 700-00877 | E_SCREW            | (1) |
| 12     |      | 700-00735 | NEEDLE GUARD       | (1) |
| 13     |      | 700-00304 | FIXED PLATE        | (1) |
| 14     |      | 700-00538 | E_SCREW            | (1) |
| 15     |      | 700-00791 | PRESSER FOOT ASM.  | 1   |
| 16     |      | 700-00869 | PRESSER FOOT       | (1) |
| 17     |      | 700-00857 | STITCH TONGUE      | (1) |
| 18     |      | 700-00862 | REAR PRESSER FOOT  | (1) |
| 19     |      | 700-00859 | PRESSER FOOT HINGE | (1) |
| 20     |      | 700-00860 | SPRING             | (1) |
| 21     |      | 700-00861 | CURL GUARD         | (1) |
| 22     |      | 700-00879 | E_SCREW            | (1) |
| 23     |      | 700-00500 | E_SCREW            | (2) |
| 24     |      | 700-00505 | E_SCREW            | (1) |
| 25     |      | 700-00877 | E_SCREW            | (1) |
| 26     |      | 700-00735 | NEEDLE GUARD       | (1) |
| 27     |      | 700-00304 | FIXED PLATE        | (1) |
| 28     |      | 700-00538 | E_SCREW            | (1) |
| 29     |      | 700-00792 | PRESSER FOOT ASM.  | 1   |
| 30     |      | 700-00869 | PRESSER FOOT       | (1) |
| 31     |      | 700-00882 | STITCH TONGUE      | (1) |
| 32     |      | 700-00862 | REAR PRESSER FOOT  | (1) |
| 33     |      | 700-00859 | PRESSER FOOT HINGE | (1) |
| 34     |      | 700-00860 | SPRING             | (1) |
| 35     |      | 700-00861 | CURL GUARD         | (1) |
| 36     |      | 700-00879 | E_SCREW            | (1) |
| 37     |      | 700-00500 | E_SCREW            | (1) |
| 38     |      | 700-00505 | E_SCREW            | (1) |
| 39     |      | 700-00877 | E_SCREW            | (1) |
| 40     |      | 700-00735 | NEEDLE GUARD       | (1) |
| 41     |      | 700-00304 | FIXED PLATE        | (1) |
| 42     |      | 700-00538 | E_SCREW            | (1) |
| 43     |      | 700-00500 | E_SCREW            | (1) |
| 44     |      | 700-00819 | PRESSER FOOT ASM.  | 1   |
| 45     |      | 700-00868 | PRESSER FOOT       | (1) |
| 46     |      | 700-00891 | STITCH TONGUE      | (1) |
| 47     |      | 700-00862 | REAR PRESSER FOOT  | (1) |
| 48     |      | 700-00859 | PRESSER FOOT HINGE | (1) |
| 49     |      | 700-00860 | SPRING             | (1) |
| 50     |      | 700-00861 | CURL GUARD         | (1) |
| 51     |      | 700-00879 | E_SCREW            | (1) |
| 52     |      | 700-00500 | E_SCREW            | (2) |
| 53     |      | 700-00505 | E_SCREW            | (1) |
| 54     |      | 700-00877 | E_SCREW            | (1) |
| 55     |      | 700-00735 | NEEDLE GUARD       | (1) |
| 56     |      | 700-00304 | FIXED PLATE        | (1) |
| 57     |      | 700-00538 | E_SCREW            | (1) |
| 58     |      | 700-00793 | PRESSER FOOT ASM.  | 1   |
| 59     |      | 700-00872 | PRESSER FOOT       | (1) |
| 60     |      | 700-00856 | STITCH TONGUE      | (1) |
| 61     |      | 700-00859 | PRESSER FOOT HINGE | (1) |
| 62     |      | 700-00860 | SPRING             | (1) |
| 63     |      | 700-00881 | TAPE GUIDE         | (1) |
| 64     |      | 700-00864 | REAR PRESSER FOOT  | (1) |
| 65     |      | 700-00880 | E_SCREW            | (1) |
| 66     |      | 700-00496 | E_SCREW            | (1) |
| 67     |      | 700-00500 | E_SCREW            | (1) |
| 68     |      | 700-00505 | E_SCREW            | (1) |
| 69     |      | 700-00735 | NEEDLE GUARD       | (1) |
| 70     |      | 700-00304 | FIXED PLATE        | (1) |
| 71     |      | 700-00538 | E_SCREW            | (1) |
| 72     |      | 700-00500 | E_SCREW            | (1) |

3. MO-6500S GAUGE TABLE PRESSER FOOT COMPONENTS (2)(INTER)



| REF.NO | NOTE | PART NO   | DESCRIPTION                | Qty |
|--------|------|-----------|----------------------------|-----|
| 1      |      | 700-00794 | PRESSER FOOT ASM.          | 1   |
| 2      |      | 700-00875 | PRESSER FOOT               | (1) |
| 3      |      | 700-00480 | THREAD GUIDE PLATE         | (1) |
| 4      |      | 700-00505 | E_SCREW                    | (1) |
| 5      |      | 700-00419 | LEVER                      | (1) |
| 6      |      | 700-00609 | SPRING                     | (1) |
| 7      |      | 700-00876 | REAR PRESSER FOOT          | (1) |
| 8      |      | 700-00496 | E_SCREW                    | (1) |
| 9      |      | 700-00420 | PRESSER FOOT LIFTING LEVER | (1) |
| 10     |      | 700-00537 | E_SCREW                    | (1) |
| 11     |      | 700-00499 | E_SCREW                    | (1) |
| 12     |      | 700-00735 | NEEDLE GUARD               | (1) |
| 13     |      | 700-00538 | E_SCREW                    | (1) |
| 14     |      | 700-00500 | E_SCREW                    | (1) |
| 15     |      | 700-00606 | SPRING                     | (1) |
| 16     |      | 700-00795 | PRESSER FOOT ASM.          | 1   |
| 17     |      | 700-00890 | PRESSER FOOT               | (1) |
| 18     |      | 700-00480 | THREAD GUIDE PLATE         | (1) |
| 19     |      | 700-00505 | E_SCREW                    | (1) |
| 20     |      | 700-00419 | LEVER                      | (1) |
| 21     |      | 700-00609 | SPRING                     | (1) |
| 22     |      | 700-00874 | REAR PRESSER FOOT          | (1) |
| 23     |      | 700-00496 | E_SCREW                    | (1) |
| 24     |      | 700-00863 | PRESSER FOOT HINGE         | (1) |
| 25     |      | 700-00537 | E_SCREW                    | (1) |
| 26     |      | 700-00499 | E_SCREW                    | (1) |
| 27     |      | 700-00735 | NEEDLE GUARD               | (1) |
| 28     |      | 700-00538 | E_SCREW                    | (1) |
| 29     |      | 700-00500 | E_SCREW                    | (1) |
| 30     |      | 700-00606 | SPRING                     | (1) |
| 31     |      | 700-00796 | PRESSER FOOT ASM.          | 1   |
| 32     |      | 700-00870 | PRESSER FOOT               | (1) |
| 33     |      | 700-00480 | THREAD GUIDE PLATE         | (1) |
| 34     |      | 700-00505 | E_SCREW                    | (1) |
| 35     |      | 700-00419 | LEVER                      | (1) |
| 36     |      | 700-00609 | SPRING                     | (1) |
| 37     |      | 700-00871 | REAR PRESSER FOOT          | (1) |
| 38     |      | 700-00496 | E_SCREW                    | (1) |
| 39     |      | 700-00420 | PRESSER FOOT LIFTING LEVER | (1) |
| 40     |      | 700-00537 | E_SCREW                    | (1) |
| 41     |      | 700-00499 | E_SCREW                    | (1) |
| 42     |      | 700-00735 | NEEDLE GUARD               | (1) |
| 43     |      | 700-00538 | E_SCREW                    | (1) |
| 44     |      | 700-00500 | E_SCREW                    | (1) |
| 45     |      | 700-00606 | SPRING                     | (1) |
| 46     |      | 700-00797 | PRESSER FOOT ASM.          | 1   |
| 47     |      | 700-00873 | PRESSER FOOT               | (1) |
| 48     |      | 700-00480 | THREAD GUIDE PLATE         | (1) |
| 49     |      | 700-00505 | E_SCREW                    | (1) |
| 50     |      | 700-00419 | LEVER                      | (1) |
| 51     |      | 700-00609 | SPRING                     | (1) |
| 52     |      | 700-00874 | REAR PRESSER FOOT          | (1) |
| 53     |      | 700-00496 | E_SCREW                    | (1) |
| 54     |      | 700-00863 | PRESSER FOOT HINGE         | (1) |
| 55     |      | 700-00537 | E_SCREW                    | (1) |
| 56     |      | 700-00499 | E_SCREW                    | (1) |
| 57     |      | 700-00735 | NEEDLE GUARD               | (1) |
| 58     |      | 700-00538 | E_SCREW                    | (1) |
| 59     |      | 700-00500 | E_SCREW                    | (1) |
| 60     |      | 700-00606 | SPRING                     | (1) |

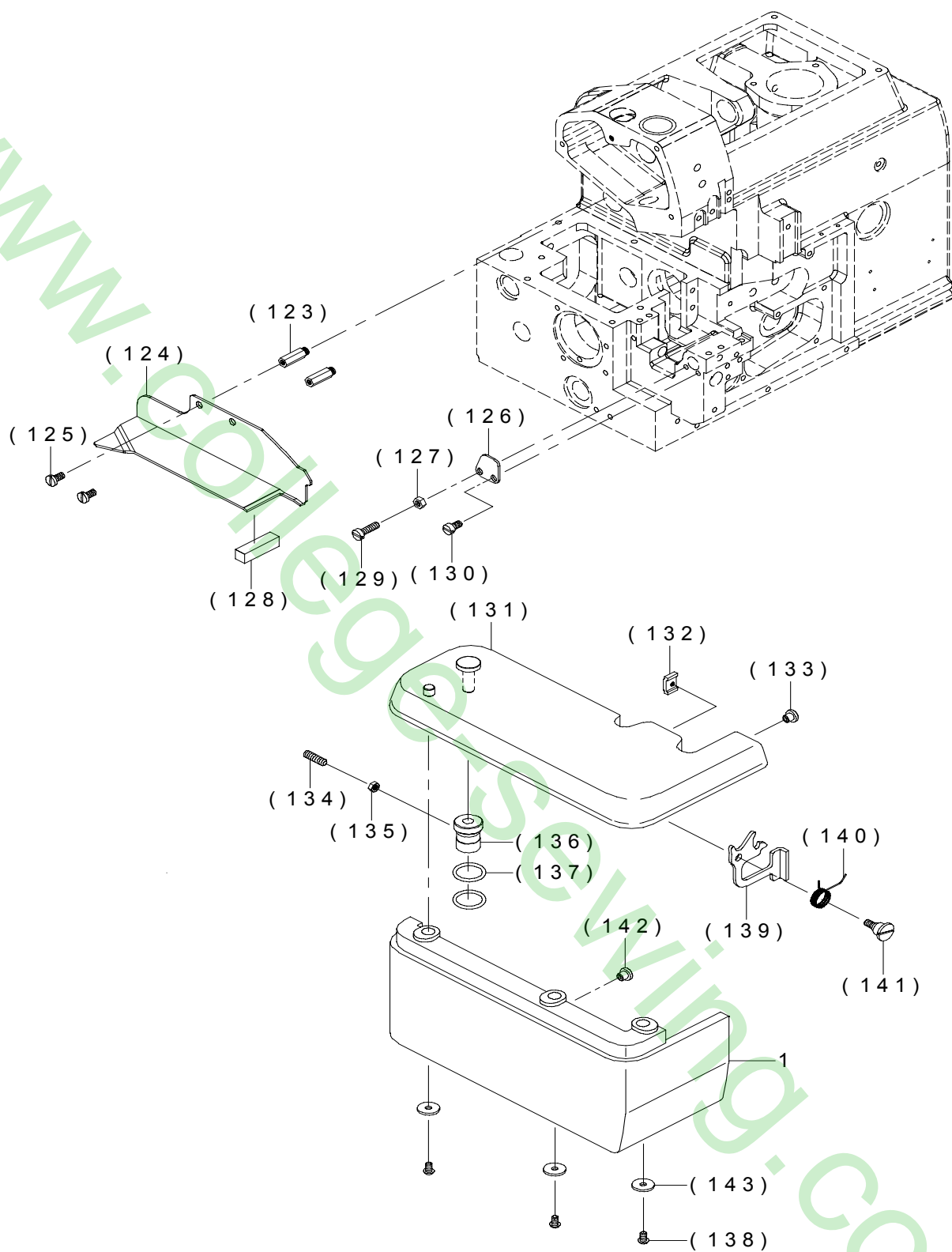
#### 4. MISCELLANEOUS COVER COMPONENTS (1)





| REF.NO | NOTE | PART NO | DESCRIPTION       | Qty |
|--------|------|---------|-------------------|-----|
| (100)  | -    | -       | COVER             | 1   |
| (101)  | -    | -       | E_SCREW           | 2   |
| (102)  | -    | -       | METAL FOAM GASKET | 1   |
| (103)  | -    | -       | SIDE COVER        | 1   |
| (104)  | -    | -       | E_SCREW           | 3   |
| (105)  | -    | -       | DUCT              | 2   |
| (106)  | -    | -       | M_SCREW           | 1   |
| (107)  | -    | -       | RUBBER PLUG       | 1   |
| (108)  | -    | -       | E_SCREW           | 4   |
| (109)  | -    | -       | COVER             | 1   |
| (110)  | -    | -       | METAL FOAM GASKET | 1   |
| (111)  | -    | -       | PIN               | 1   |
| (112)  | -    | -       | E_SCREW           | 1   |
| (113)  | -    | -       | NAME PLATE        | 1   |
| (114)  | -    | -       | RIVET             | 2   |
| (115)  | -    | -       | PIN               | 1   |
| (116)  | -    | -       | PIN               | 1   |
| (117)  | -    | -       | PIN               | 1   |
| (118)  | -    | -       | E_SCREW           | 4   |
| (119)  | -    | -       | WASHER            | 4   |
| (120)  | -    | -       | WASHER            | 4   |
| (121)  | -    | -       | E_SCREW           | 4   |
| (122)  | -    | -       | E_SCREW           | 3   |

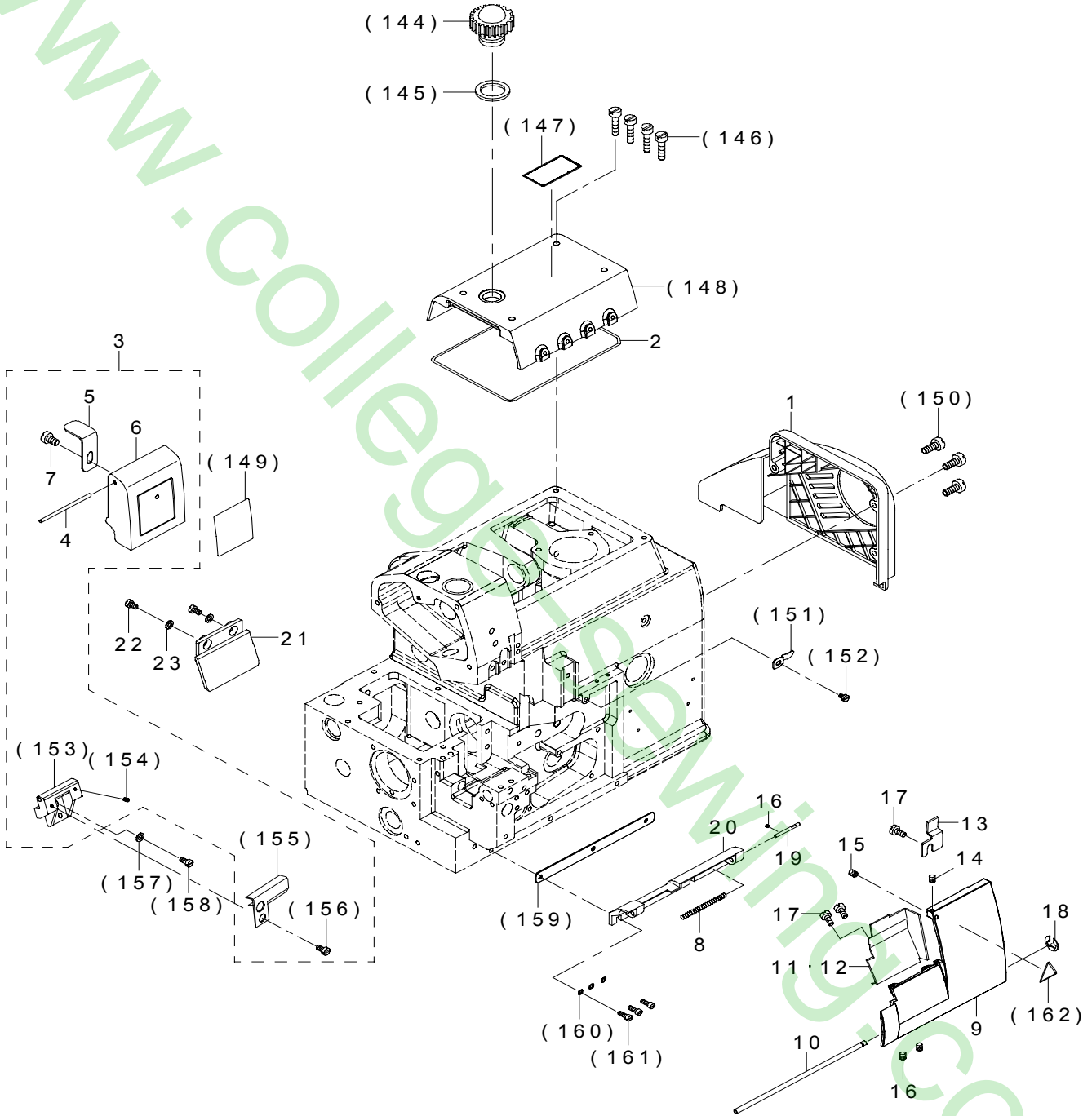
5. MISCELLANEOUS COVER COMPONENTS (2)



| REF.NO | NOTE | PART NO   | DESCRIPTION        | Qty |
|--------|------|-----------|--------------------|-----|
| 1      |      | 700-00489 | SIDE COVER         | 1   |
| (123)  | -    |           | SCREW              | 2   |
| (124)  | -    |           | FABRIC GUIDE       | 1   |
| (125)  | -    |           | E_SCREW            | 2   |
| (126)  | -    |           | FIXED PLATE        | 1   |
| (127)  | -    |           | NUT                | 1   |
| (128)  | -    |           | SPONGY CUSHION     | 1   |
| (129)  | -    |           | E_SCREW            | 1   |
| (130)  | -    |           | E_SCREW            | 1   |
| (131)  | -    |           | FABRIC PLATE COVER | 1   |
| (132)  | -    |           | FIXED SEAT         | 1   |
| (133)  | -    |           | RUBBER PLUG        | 1   |
| (134)  | -    |           | E_SCREW            | 1   |
| (135)  | -    |           | NUT                | 1   |
| (136)  | -    |           | BUSHING            | 1   |
| (137)  | -    |           | O-RING             | 2   |
| (138)  | -    |           | M_SCREW            | 3   |
| (139)  | -    |           | LEVER              | 1   |
| (140)  | -    |           | SPRING             | 1   |
| (141)  | -    |           | E_SCREW            | 1   |
| (142)  | -    |           | RUBBER PLUG        | 1   |
| (143)  | -    |           | WASHER             | 3   |

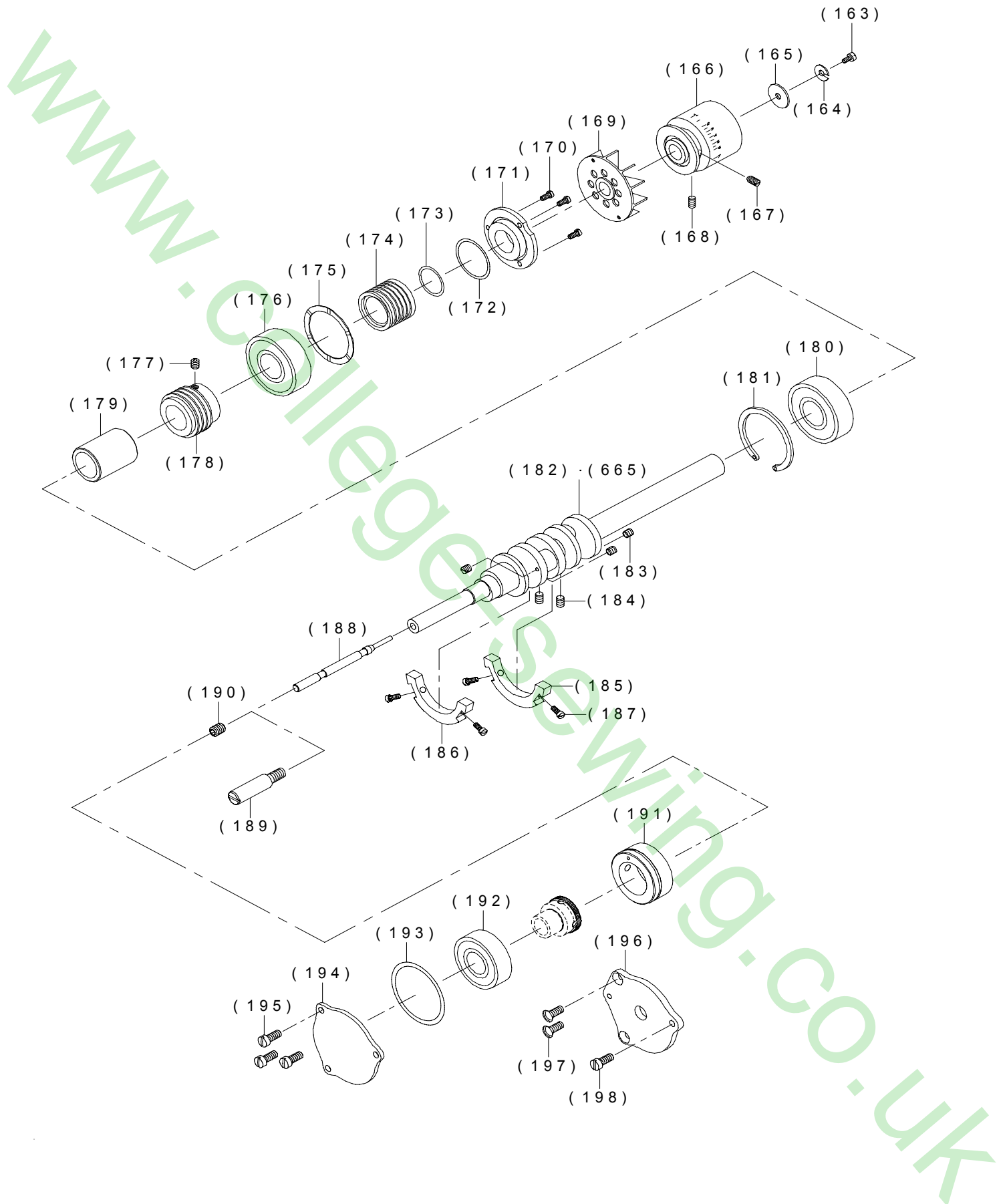
## 6. MISCELLANEOUS COVER COMPONENTS (3)

|          |       |       |
|----------|-------|-------|
| MODEL    | 04/14 | 16/43 |
| PARTS NO | 11    | 12    |



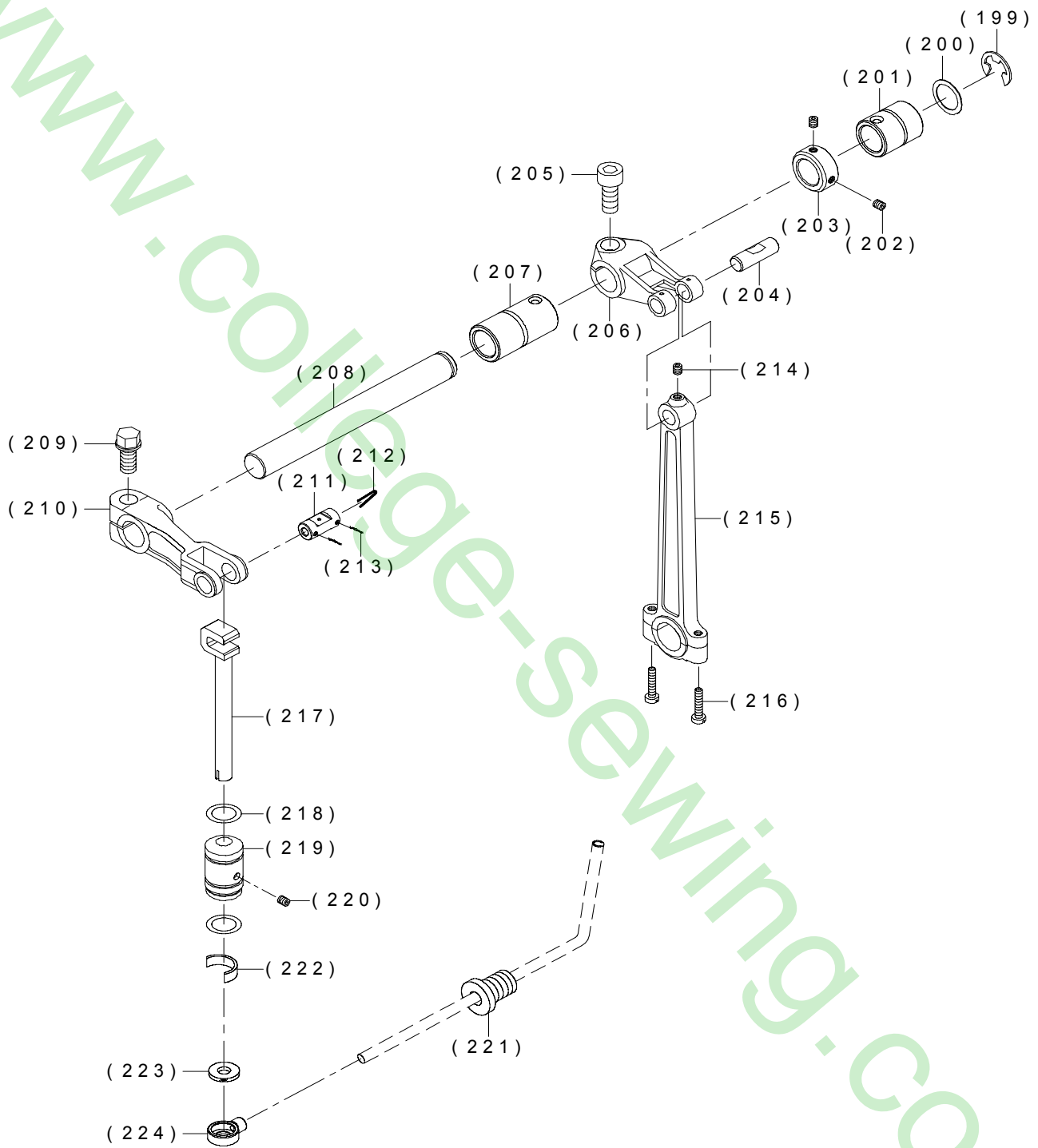
| REF.NO | NOTE | PART NO   | DESCRIPTION               | Qty |
|--------|------|-----------|---------------------------|-----|
| 1      |      | 700-00702 | MOTOR COVER               | 1   |
| 2      |      | 700-00222 | O-RING                    | 1   |
| 3      |      | 700-00725 | FIXED SEAT ASM.           | 1   |
| 4      |      | 700-00727 | SHAFT                     | (1) |
| 5      |      | 700-00723 | SPRING PLATE              | (1) |
| 6      |      | 700-00724 | PROTECTING COVER          | (1) |
| 7      |      | 700-00506 | E_SCREW                   | (1) |
| 8      |      | 700-00597 | SPRING                    | 1   |
| 9      |      | 700-00742 | FRONT COVER               | 1   |
| 10     |      | 700-00746 | SHAFT                     | 1   |
| 11     |      | 700-00481 | FRONT COVER               | 1   |
| 12     |      | 700-00820 | FRONT COVER               | 1   |
| 13     |      | 700-00744 | RETAINING CLIP            | 1   |
| 14     |      | 700-00569 | M_SCREW                   | 1   |
| 15     |      | 700-00570 | M_SCREW                   | 1   |
| 16     |      | 700-00573 | M_SCREW                   | 3   |
| 17     |      | 700-00577 | M_SCREW                   | 3   |
| 18     |      | 700-00131 | E_CIRCLIPS                | 1   |
| 19     |      | 700-00660 | PIN                       | 1   |
| 20     |      | 700-00747 | FIXED SEAT                | 1   |
| 21     |      | 700-00722 | EYE PROTECTION PLATE      | 1   |
| 22     |      | 700-00551 | E_SCREW                   | 2   |
| 23     |      | 700-00366 | WASHER                    | 2   |
| (144)  | -    | -         | OIL LEVEL INSPECTION LENS | 1   |
| (145)  | -    | -         | GASKET                    | 1   |
| (146)  | -    | -         | E_SCREW                   | 4   |
| (147)  | -    | -         | LABEL                     | 1   |
| (148)  | -    | -         | TOP COVER                 | 1   |
| (149)  | -    | -         | NAME PLATE                | 1   |
| (150)  | -    | -         | E_SCREW                   | 3   |
| (151)  | -    | -         | GUIDE PLATE               | 1   |
| (152)  | -    | -         | E_SCREW                   | 1   |
| (153)  | -    | -         | FIXED SEAT                | (1) |
| (154)  | -    | -         | E_SCREW                   | (1) |
| (155)  | -    | -         | PARTITION                 | (1) |
| (156)  | -    | -         | E_SCREW                   | (1) |
| (157)  | -    | -         | WASHER                    | 1   |
| (158)  | -    | -         | E_SCREW                   | 1   |
| (159)  | -    | -         | OIL PROOF PAPER GASKET    | 1   |
| (160)  | -    | -         | WASHER                    | 3   |
| (161)  | -    | -         | E_SCREW                   | 3   |
| (162)  | -    | -         | LABEL                     | 1   |

## 7. CRANKSHAFT COMPONENTS



| REF.NO | NOTE | PART NO | DESCRIPTION   | Qty |
|--------|------|---------|---------------|-----|
| (163)  | -    | -       | M_SCREW       | 1   |
| (164)  | -    | -       | WASHER        | 1   |
| (165)  | -    | -       | GASKET        | 1   |
| (166)  | -    | -       | HAND WHEEL    | 1   |
| (167)  | -    | -       | E_SCREW       | 1   |
| (168)  | -    | -       | E_SCREW       | 1   |
| (169)  | -    | -       | FAN BLADE     | 1   |
| (170)  | -    | -       | E_SCREW       | 3   |
| (171)  | -    | -       | SIDE COVER    | 1   |
| (172)  | -    | -       | O-RING        | 1   |
| (173)  | -    | -       | O-RING        | 1   |
| (174)  | -    | -       | WORM WHEEL    | 1   |
| (175)  | -    | -       | WASHER        | 1   |
| (176)  | -    | -       | BEARING       | 1   |
| (177)  | -    | -       | E_SCREW       | 1   |
| (178)  | -    | -       | WORM WHEEL    | 1   |
| (179)  | -    | -       | SHAFT         | 1   |
| (180)  | -    | -       | BEARING       | 1   |
| (181)  | -    | -       | STOP RING     | 1   |
| (182)  | -    | -       | MAIN SHAFT    | 1   |
| (183)  | -    | -       | E_SCREW       | 3   |
| (184)  | -    | -       | E_SCREW       | 2   |
| (185)  | -    | -       | BALANCE BLOCK | 1   |
| (186)  | -    | -       | BALANCE BLOCK | 1   |
| (187)  | -    | -       | E_SCREW       | 4   |
| (188)  | -    | -       | SHAFT         | 1   |
| (189)  | -    | -       | FASTENER PIN  | 1   |
| (190)  | -    | -       | SCREW         | 1   |
| (191)  | -    | -       | BUSHING       | 1   |
| (192)  | -    | -       | BEARING       | 1   |
| (193)  | -    | -       | O-RING        | 1   |
| (194)  | -    | -       | BEARING COVER | 1   |
| (195)  | -    | -       | E_SCREW       | 3   |
| (196)  | -    | -       | BEARING COVER | 1   |
| (197)  | -    | -       | E_SCREW       | 2   |
| (198)  | -    | -       | E_SCREW       | 1   |
| (665)  | -    | -       | MAIN SHAFT    | 1   |

## 8. NEEDLE DRIVING SHAFT COMPONENTS



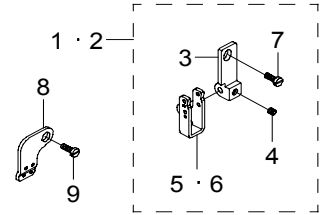


| REF.NO | NOTE | PART NO | DESCRIPTION       | Qty |
|--------|------|---------|-------------------|-----|
| (199)  | -    | -       | E_CIRCLIPS        | 1   |
| (200)  | -    | -       | WASHER            | 1   |
| (201)  | -    | -       | BUSHING           | 1   |
| (202)  | -    | -       | E_SCREW           | 2   |
| (203)  | -    | -       | COLLAR            | 1   |
| (204)  | -    | -       | PIN               | 1   |
| (205)  | -    | -       | M_SCREW           | 1   |
| (206)  | -    | -       | NEEDLE BAR ROCKER | 1   |
| (207)  | -    | -       | BUSHING           | 1   |
| (208)  | -    | -       | ARBOR             | 1   |
| (209)  | -    | -       | M_SCREW           | 1   |
| (210)  | -    | -       | CONNECTING ROD    | 1   |
| (211)  | -    | -       | SHAFT             | 1   |
| (212)  | -    | -       | OIL WICK          | 1   |
| (213)  | -    | -       | OIL YARN          | 2   |
| (214)  | -    | -       | E_SCREW           | 1   |
| (215)  | -    | -       | CONNECTING ROD    | 1   |
| (216)  | -    | -       | M_SCREW           | 2   |
| (217)  | -    | -       | NEEDLE BAR        | 1   |
| (218)  | -    | -       | O-RING            | 2   |
| (219)  | -    | -       | BUSHING           | 1   |
| (220)  | -    | -       | E_SCREW           | 1   |
| (221)  | -    | -       | PLUG              | 1   |
| (222)  | -    | -       | OIL FELT          | 1   |
| (223)  | -    | -       | OIL FELT          | 1   |
| (224)  | -    | -       | PLUG              | 1   |

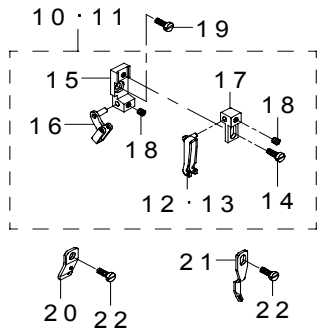
## 9. THREAD TENSION COMPONENTS

| MODEL    | 04    | 14    | 16    | 43    |
|----------|-------|-------|-------|-------|
| PARTS NO | 20    | 8     | 20    | 8     |
|          | 6     | 5     | 12    | 13    |
|          | 30    | 29    | 31    | 32    |
|          | 39    | 39    | 40    | 40    |
|          | 4     | 4     | 18    | 18    |
|          | 9     | 9     | 22    | 22    |
|          | 7     | 7     | 14+19 | 14+19 |
|          | 1     | 2     | 10    | 11    |
|          | (226) | (226) | (242) | (242) |
|          | (227) | (243) | (244) | (244) |

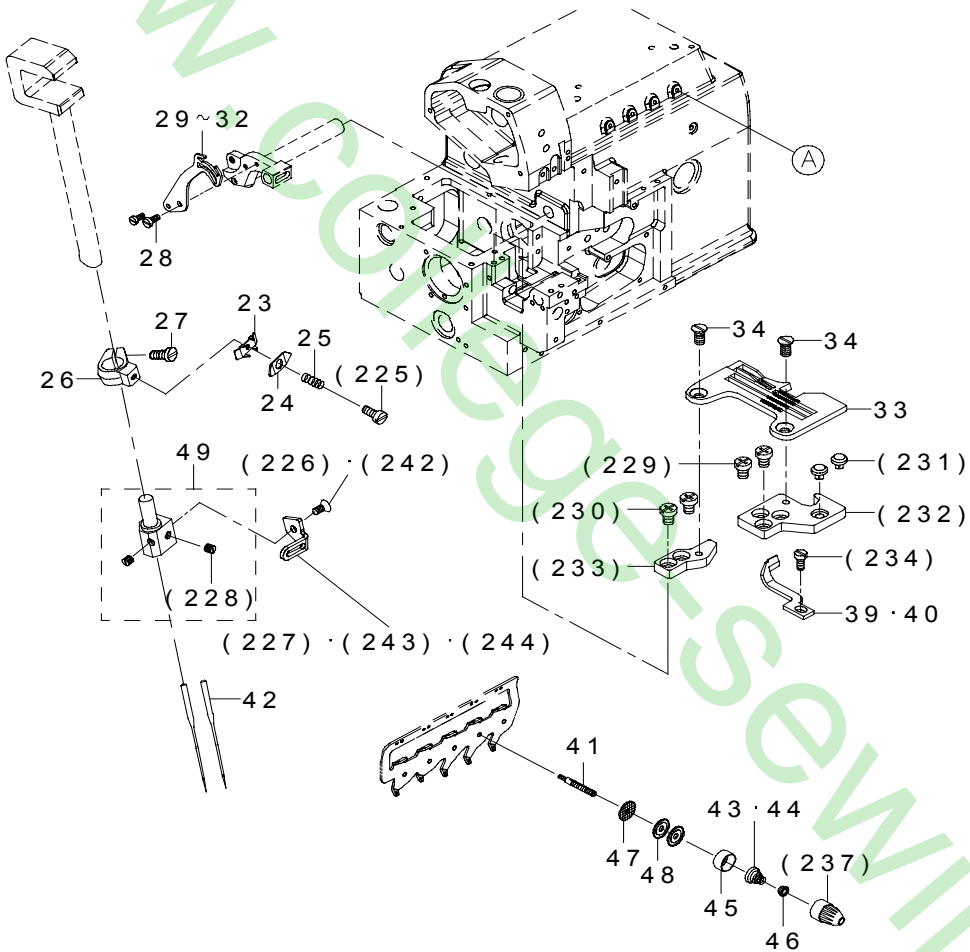
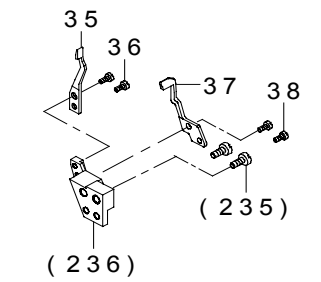
FOR (04/14)



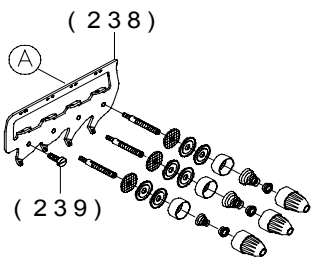
FOR (16/43)



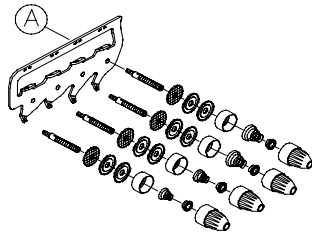
FOR (16/43)



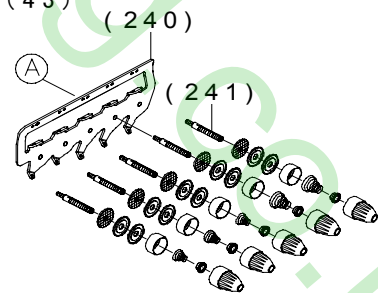
FOR (04)



FOR (14/16)



FOR (43)



| REF.NO | NOTE | PART NO   | DESCRIPTION          | Qty |
|--------|------|-----------|----------------------|-----|
| 1      |      | 700-00173 | FIXED PLATE ASM.     | 1   |
| 2      |      | 700-00832 | FIXED PLATE ASM.     | 1   |
| 3      |      | 700-00164 | FIXED PLATE          | (1) |
| 4      |      | 700-00498 | E_SCREW              | (1) |
| 5      |      | 700-00165 | THREAD GUIDE PLATE   | (1) |
| 6      |      | 700-00822 | THREAD GUIDE PLATE   | (1) |
| 7      |      | 700-00549 | E_SCREW              | (1) |
| 8      |      | 700-00163 | THREAD CROSSING      | 1   |
| 9      |      | 700-00513 | E_SCREW              | 1   |
| 10     |      | 700-00174 | FIXED SEAT ASM.      | 1   |
| 11     |      | 700-00833 | FIXED SEAT ASM.      | 1   |
| 12     |      | 700-00170 | THREAD GUIDE PLATE   | (1) |
| 13     |      | 700-00823 | THREAD GUIDE PLATE   | (1) |
| 14     |      | 700-00559 | E_SCREW              | (1) |
| 15     |      | 700-00171 | FIXED SEAT           | (1) |
| 16     |      | 700-00166 | THREAD GUIDE PLATE   | (1) |
| 17     |      | 700-00169 | FIXED BLOCK          | (1) |
| 18     |      | 700-00498 | E_SCREW              | (2) |
| 19     |      | 700-00555 | E_SCREW              | 1   |
| 20     |      | 700-00167 | THREAD GUIDE PLATE   | 1   |
| 21     |      | 700-00168 | THREAD GUIDE PLATE   | 1   |
| 22     |      | 700-00513 | E_SCREW              | 2   |
| 23     |      | 700-00626 | THREAD GRIP          | 1   |
| 24     |      | 700-00627 | THREAD GRIP          | 1   |
| 25     |      | 700-00598 | SPRING               | 1   |
| 26     |      | 700-00652 | CRAMP                | 1   |
| 27     |      | 700-00572 | E_SCREW              | 1   |
| 28     |      | 700-00505 | E_SCREW              | 2   |
| 29     |      | 700-00210 | THREAD TAKE-UP LEVER | 1   |
| 30     |      | 700-00824 | THREAD TAKE-UP LEVER | 1   |
| 31     |      | 700-00825 | THREAD TAKE-UP LEVER | 1   |
| 32     |      | 700-00826 | THREAD TAKE-UP LEVER | 1   |
| 33     | #01  | *****     | NEEDLE PLATE         | 1   |
| 34     |      | 700-00516 | E_SCREW              | 2   |
| 35     |      | 700-00336 | NEEDLE GUARD         | 1   |
| 36     |      | 700-00497 | E_SCREW              | 2   |
| 37     |      | 700-00335 | NEEDLE GUARD         | 1   |
| 38     |      | 700-00497 | E_SCREW              | 2   |
| 39     |      | 700-00469 | NEEDLE GUARD         | 1   |
| 40     |      | 700-00827 | NEEDLE GUARD         | 1   |
| 41     |      | 700-00214 | THREAD TENSION SHAFT | 1   |
| 42     | #01  | *****     | NEEDLE               | 1   |
| 43     |      | 700-00211 | SPRING HARD          | 1   |
| 44     |      | 700-00851 | SPRING SOFT          | 1   |
| 45     |      | 700-00204 | SLEEVE               | 1   |
| 46     |      | 700-00212 | FIXED RING           | 1   |
| 47     |      | 700-00213 | OIL FELT             | 1   |
| 48     |      | 700-00203 | THREAD GRIP          | 2   |
| 49     | #01  | *****     | NEEDLE CLAMP ASM.    | 1   |
| (225)  |      | -         | M_SCREW              | 1   |
| (226)  |      | -         | M_SCREW              | 1   |
| (227)  |      | -         | THREAD CROSSING      | 1   |
| (228)  | #02  | -         | E_SCREW              | (1) |
| (229)  |      | -         | E_SCREW              | 2   |
| (230)  |      | -         | E_SCREW              | 2   |
| (231)  |      | -         | RUBBER PLUG          | 2   |
| (232)  |      | -         | NEEDLE PLATE BRACKET | 1   |
| (233)  |      | -         | NEEDLE PLATE BRACKET | 1   |
| (234)  |      | -         | E_SCREW              | 1   |
| (235)  |      | -         | E_SCREW              | 2   |
| (236)  |      | -         | NEEDLE GUARD         | 1   |
| (237)  | #02  | -         | THREAD TENSION KNOB  | 1   |
| (238)  |      | -         | THREAD GUIDE PLATE   | 1   |
| (239)  |      | -         | E_SCREW              | 1   |
| (240)  |      | -         | THREAD GUIDE PLATE   | 1   |
| (241)  |      | -         | THREAD TENSION SHAFT | 1   |
| (242)  |      | -         | M_SCREW              | 1   |
| (243)  |      | -         | THREAD CROSSING      | 1   |
| (244)  |      | -         | THREAD CROSSING      | 1   |

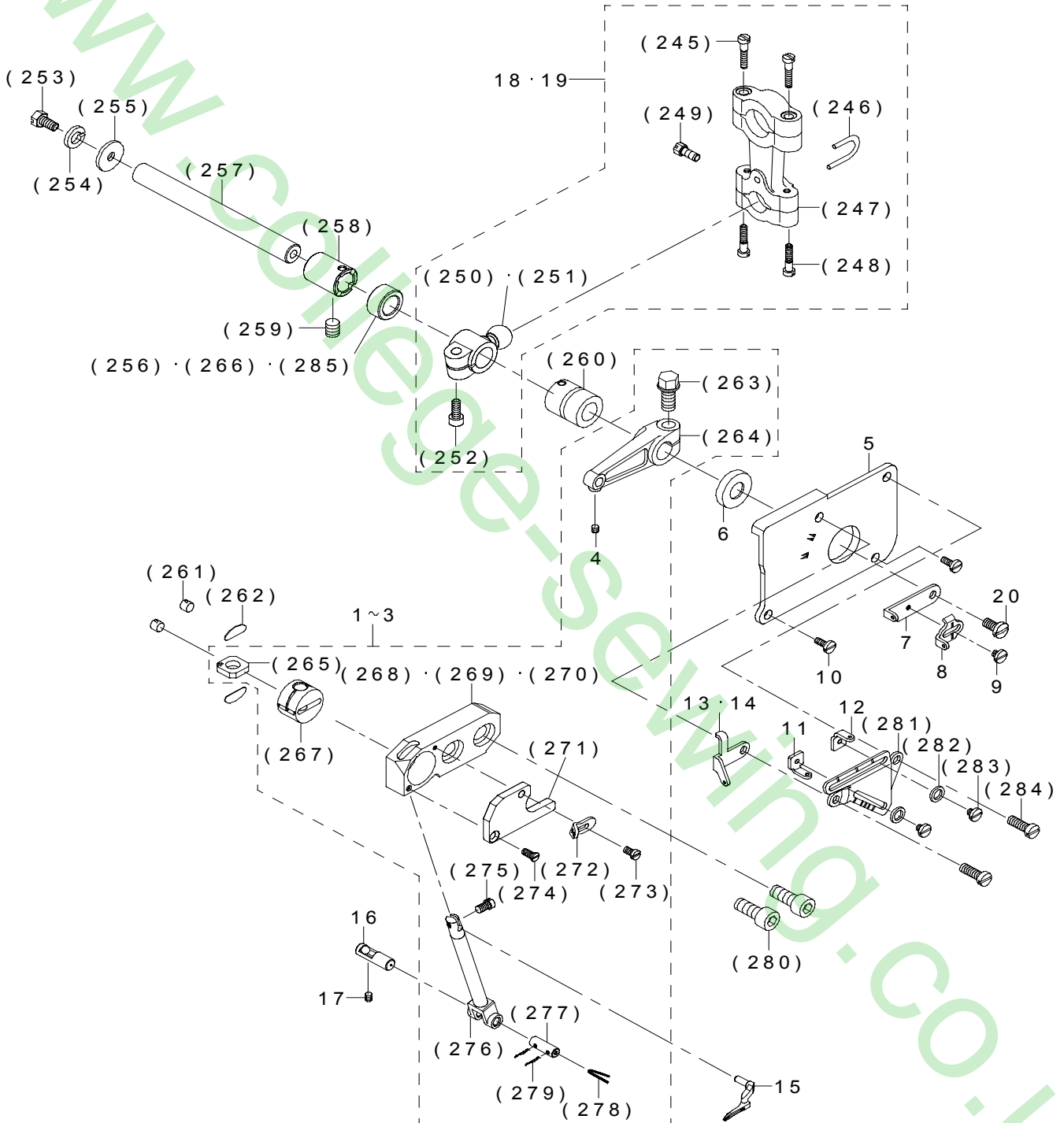
NOTE

#01....REFER "MO-6500S GAUGE TABLE"

#02....QUANTITY DIFFERS ACCORDING TO A MODEL.

# 10. UPPER LOOPER COMPONENTS

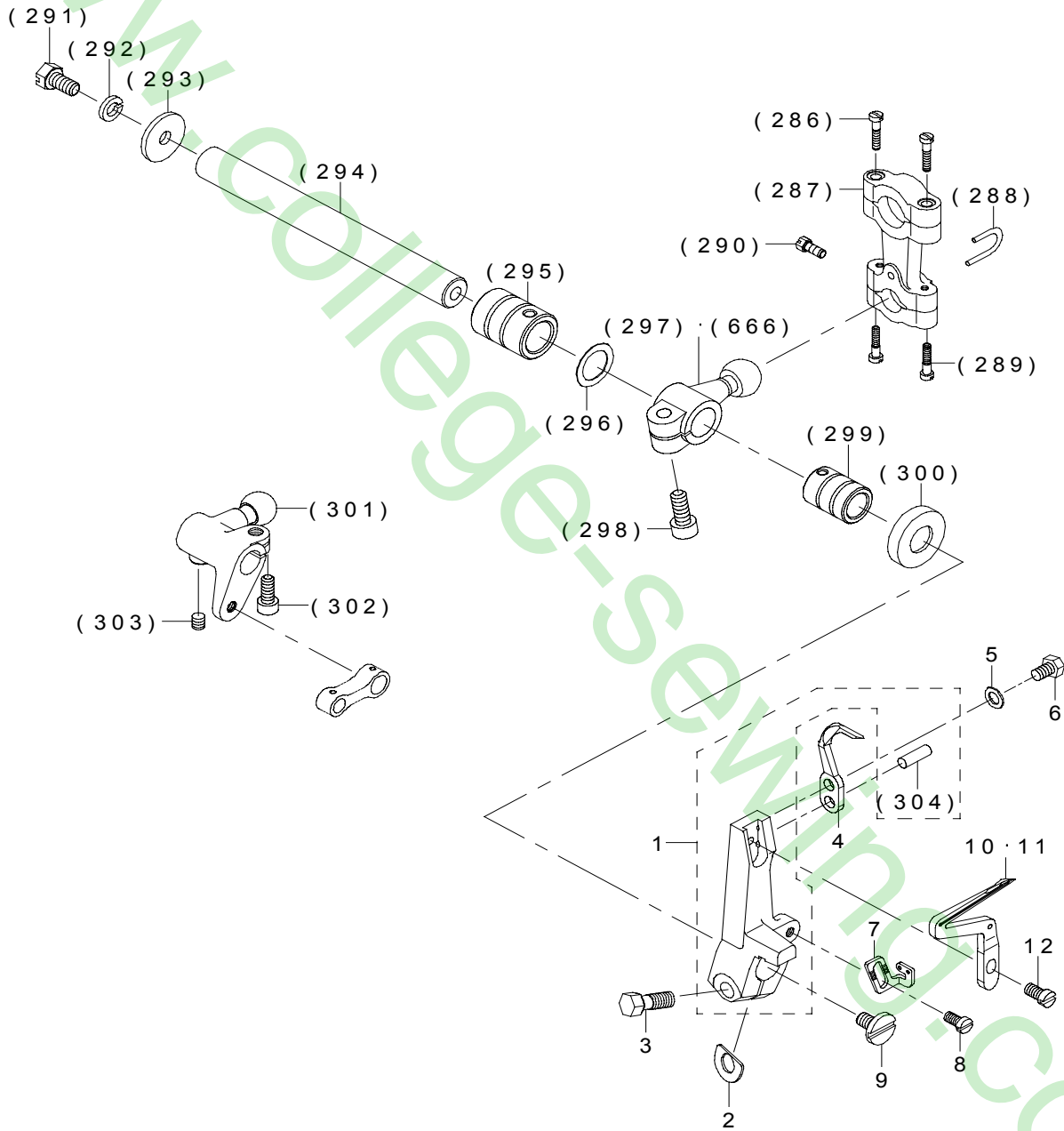
| MODEL    | 04/16 | 14/43 | 20W/40W/44W |
|----------|-------|-------|-------------|
|          | 19    | 18    | 18          |
|          | 1     | 2     | 3           |
| PARTS NO | 13    | 13    | 14          |
|          | (250) | (251) | (251)       |
|          | (268) | (269) | (270)       |
|          | (256) | (285) | (266)       |



| REF.NO | NOTE | PART NO   | DESCRIPTION                         | Qty |
|--------|------|-----------|-------------------------------------|-----|
| 1      |      | 700-00245 | CONNECTING ROD SEAT ASM.            | 1   |
| 2      |      | 700-00836 | CONNECTING ROD SEAT ASM.            | 1   |
| 3      |      | 700-00837 | CONNECTING ROD SEAT ASM.            | 1   |
| 4      |      | 700-00498 | E_SCREW                             | (1) |
| 5      |      | 700-00748 | COVER                               | 1   |
| 6      |      | 700-00268 | OIL SEAL                            | 1   |
| 7      |      | 700-00197 | THREAD CROSSING                     | 1   |
| 8      |      | 700-00198 | THREAD CROSSING                     | 1   |
| 9      |      | 700-00501 | E_SCREW                             | 1   |
| 10     |      | 700-00518 | E_SCREW                             | 2   |
| 11     |      | 700-00200 | THREAD CROSSING                     | 1   |
| 12     |      | 700-00195 | THREAD CROSSING                     | 1   |
| 13     |      | 700-00196 | THREAD CROSSING                     | 1   |
| 14     |      | 700-00812 | THREAD CROSSING                     | 1   |
| 15     | #01  | *****     | LOOPER                              | 1   |
| 16     |      | 700-00244 | OIL TUBE                            | 1   |
| 17     |      | 700-00522 | E_SCREW                             | 2   |
| 18     |      | 700-00252 | BALL CONNECTING ROD ASM.            | 1   |
| 19     |      | 700-00835 | BALL CONNECTING ROD ASM.            | 1   |
| 20     |      | 700-00515 | E_SCREW                             | 1   |
| (245)  |      | -         | E_SCREW                             | (2) |
| (246)  |      | -         | FIXED JAW                           | (1) |
| (247)  |      | -         | BALL CONNECTING ROD                 | (1) |
| (248)  |      | -         | E_SCREW                             | (2) |
| (249)  |      | -         | E_SCREW                             | (1) |
| (250)  |      | -         | BALL CONNECTING ROD                 | (1) |
| (251)  |      | -         | BALL CONNECTING ROD                 | (1) |
| (252)  |      | -         | M_SCREW                             | (1) |
| (253)  |      | -         | E_SCREW                             | 1   |
| (254)  |      | -         | WASHER                              | 1   |
| (255)  |      | -         | GASKET                              | 1   |
| (256)  |      | -         | CUSHION                             | 1   |
| (257)  |      | -         | ARBOR                               | 1   |
| (258)  |      | -         | BUSHING                             | 1   |
| (259)  |      | -         | E_SCREW                             | 1   |
| (260)  |      | -         | BUSHING                             | 1   |
| (261)  |      | -         | OIL WICK                            | 2   |
| (262)  |      | -         | OIL FELT                            | 2   |
| (263)  |      | -         | M_SCREW                             | (1) |
| (264)  |      | -         | CONNECTING ROD                      | (1) |
| (265)  |      | -         | OIL WICK                            | (1) |
| (266)  |      | -         | CUSHION                             | (1) |
| (267)  |      | -         | LOOPER GUIDE SHAFT                  | (1) |
| (268)  |      | -         | CONNECTING ROD SEAT                 | (1) |
| (269)  |      | -         | CONNECTING ROD SEAT                 | (1) |
| (270)  |      | -         | CONNECTING ROD SEAT                 | (1) |
| (271)  |      | -         | FIXED PLATE                         | (1) |
| (272)  |      | -         | THREAD CROSSING                     | (1) |
| (273)  |      | -         | E_SCREW                             | (1) |
| (274)  |      | -         | E_SCREW                             | (1) |
| (275)  |      | -         | E_SCREW                             | (1) |
| (276)  |      | -         | LOOPER CONNECTING ROD               | (1) |
| (277)  |      | -         | PIN                                 | (1) |
| (278)  |      | -         | OIL WICK                            | (1) |
| (279)  |      | -         | OIL YARN                            | (2) |
| (280)  |      | -         | M_SCREW                             | 2   |
| (281)  |      | -         | FIXED PLATE                         | 1   |
| (282)  |      | -         | WASHER                              | 2   |
| (283)  |      | -         | E_SCREW                             | 2   |
| (284)  |      | -         | E_SCREW                             | 2   |
| (285)  |      | -         | CUSHION                             | 1   |
|        | NOTE |           | #01....REFER "MO-6500S GAUGE TABLE" |     |

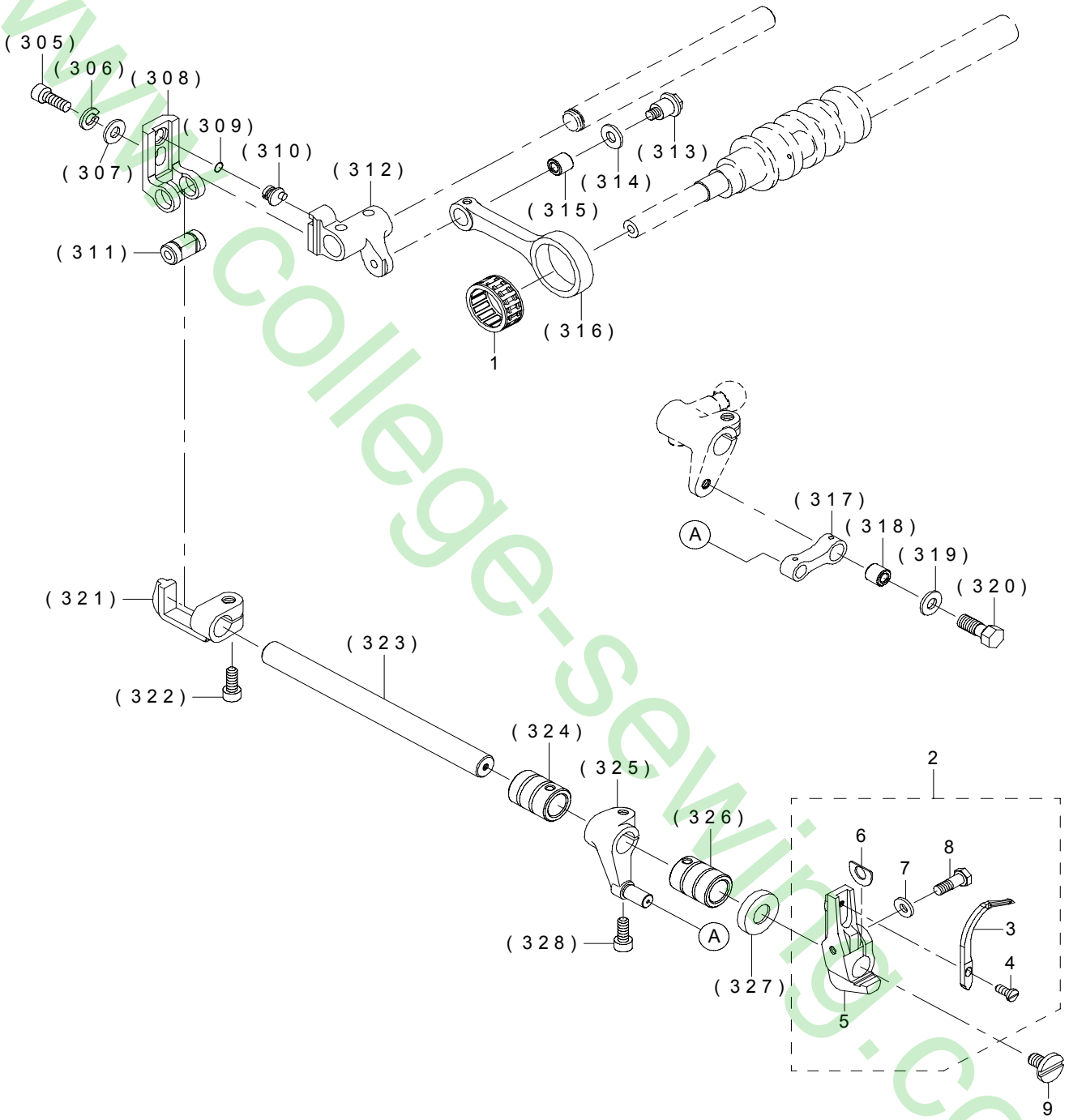
# 11. LOWER LOOPER COMPONENTS

| MODEL    | 04 / 14 | 16 / 43 | 20W / 40W / 44W |
|----------|---------|---------|-----------------|
| PARTS NO | 10      | 10      | 11              |



| REF.NO | NOTE | PART NO   | DESCRIPTION         | Qty |
|--------|------|-----------|---------------------|-----|
| 1      |      | 700-00406 | LOOPER HOLDER       | 1   |
| 2      |      | 700-00380 | GASKET              | 1   |
| 3      |      | 700-00531 | E_SCREW             | 1   |
| 4      |      | 700-00175 | EJECTOR PLATE       | 1   |
| 5      |      | 700-00751 | WASHER              | 1   |
| 6      |      | 700-00511 | SCREW               | 1   |
| 7      |      | 700-00199 | THREAD GUIDE PLATE  | 1   |
| 8      |      | 700-00506 | E_SCREW             | 1   |
| 9      |      | 700-00525 | SCREW               | 1   |
| 10     |      | 700-00405 | LOOPER              | 1   |
| 11     |      | 700-00838 | LOOPER              | 1   |
| 12     |      | 700-00505 | E_SCREW             | 1   |
| (286)  | -    | -         | E_SCREW             | 2   |
| (287)  | -    | -         | BALL CONNECTING ROD | 1   |
| (288)  | -    | -         | FIXED JAW           | 1   |
| (289)  | -    | -         | E_SCREW             | 2   |
| (290)  | -    | -         | E_SCREW             | 1   |
| (291)  | -    | -         | E_SCREW             | 1   |
| (292)  | -    | -         | WASHER              | 1   |
| (293)  | -    | -         | GASKET              | 1   |
| (294)  | -    | -         | ARBOR               | 1   |
| (295)  | -    | -         | BUSHING             | 1   |
| (296)  | -    | -         | WASHER              | 1   |
| (297)  | -    | -         | BALL CONNECTING ROD | 1   |
| (298)  | -    | -         | M_SCREW             | 1   |
| (299)  | -    | -         | BUSHING             | 1   |
| (300)  | -    | -         | OIL SEAL            | 1   |
| (301)  | -    | -         | BALL CONNECTING ROD | 1   |
| (302)  | -    | -         | M_SCREW             | 1   |
| (303)  | -    | -         | E_SCREW             | 1   |
| (304)  | -    | -         | PIN                 | (1) |
| (666)  | -    | -         | BALL CONNECTING ROD | 1   |

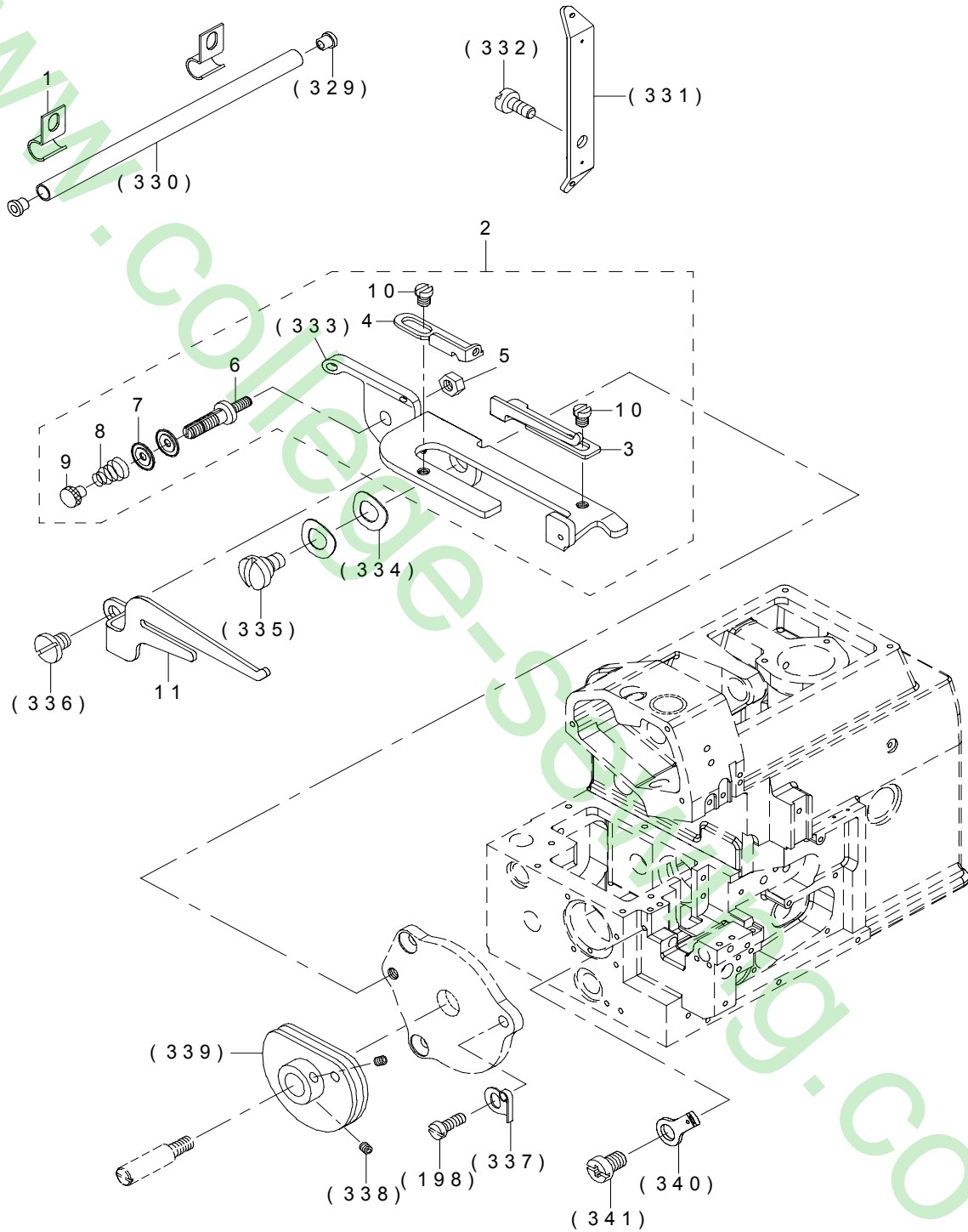
12. CHAIN LOOPER COMPONENTS (1)(FOR MO-6516S)





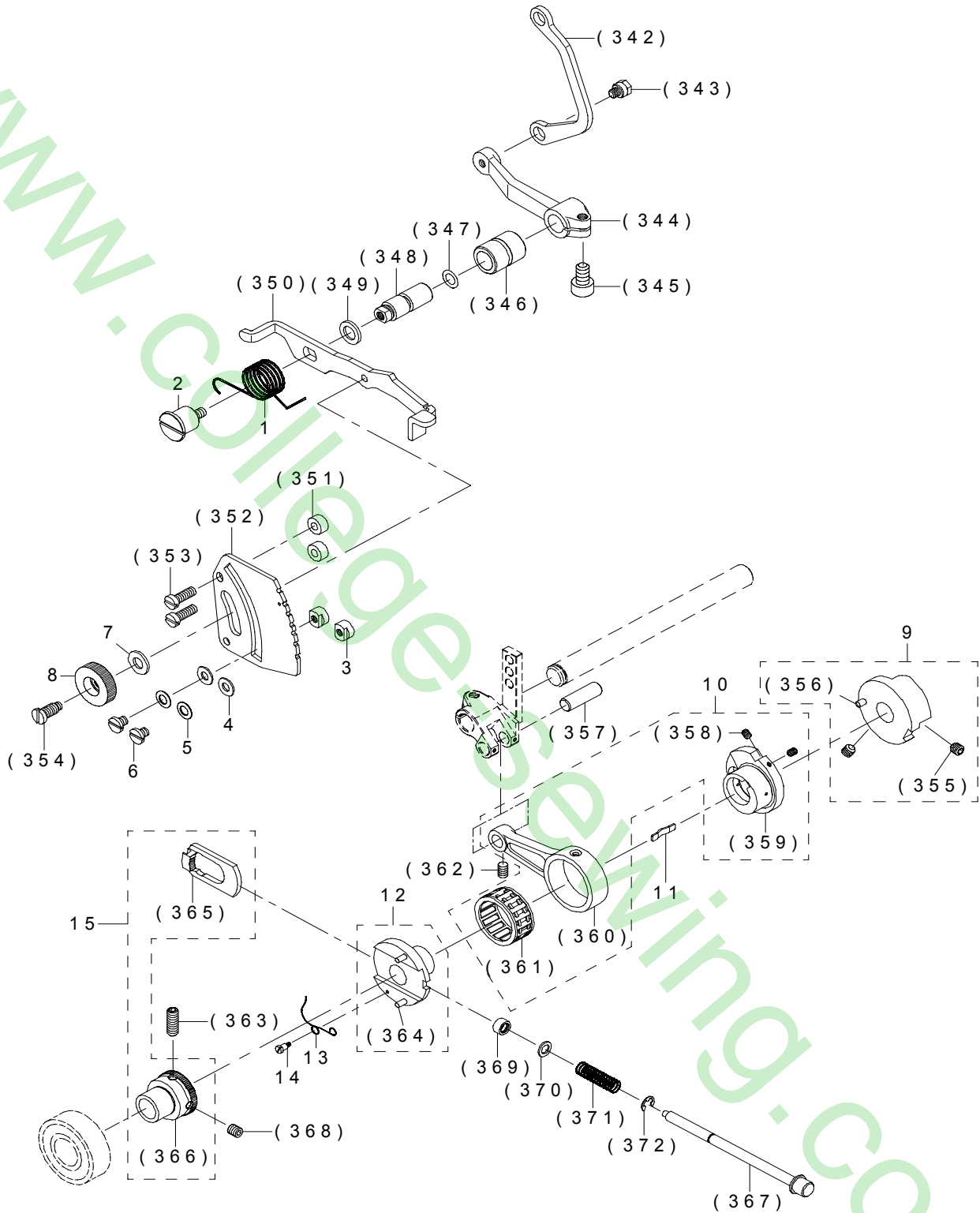
| REF.NO | NOTE | PART NO   | DESCRIPTION           | Qty |
|--------|------|-----------|-----------------------|-----|
| 1      |      | 700-00697 | BEARING               | 1   |
| 2      |      | 700-00475 | LOOPER ASM.           | 1   |
| 3      |      | 700-00473 | LOOPER                | (1) |
| 4      |      | 700-00508 | E_SCREW               | (1) |
| 5      |      | 700-00474 | LOOPER HOLDER         | (1) |
| 6      |      | 700-00380 | GASKET                | (1) |
| 7      |      | 700-00351 | WASHER                | (1) |
| 8      |      | 700-00531 | E_SCREW               | (1) |
| 9      |      | 700-00525 | SCREW                 | 1   |
| (305)  | -    | -         | E_SCREW               | 1   |
| (306)  | -    | -         | WASHER                | 1   |
| (307)  | -    | -         | WASHER                | 1   |
| (308)  | -    | -         | ADJUSTING SEAT        | 1   |
| (309)  | -    | -         | O-RING                | 1   |
| (310)  | -    | -         | ECCENTRIC             | 1   |
| (311)  | -    | -         | SHAFT                 | 1   |
| (312)  | -    | -         | ADJUSTING SEAT        | 1   |
| (313)  | -    | -         | E_SCREW               | 1   |
| (314)  | -    | -         | GASKET                | 1   |
| (135)  | -    | -         | BUSHING               | 1   |
| (316)  | -    | -         | CONNECTING ROD        | 1   |
| (317)  | -    | -         | CONNECTING ROD        | 1   |
| (318)  | -    | -         | BUSHING               | 1   |
| (319)  | -    | -         | GASKET                | 1   |
| (320)  | -    | -         | E_SCREW               | 1   |
| (321)  | -    | -         | SLIDE BLOCK GUIDE     | 1   |
| (322)  | -    | -         | M_SCREW               | 1   |
| (323)  | -    | -         | SHAFT                 | 1   |
| (324)  | -    | -         | BUSHING               | 1   |
| (325)  | -    | -         | LOOPER CONNECTING ROD | 1   |
| (326)  | -    | -         | BUSHING               | 1   |
| (327)  | -    | -         | OIL SEAL              | 1   |
| (328)  | -    | -         | M_SCREW               | 1   |

### 13. CHAIN LOOPER COMPONENTS (2)



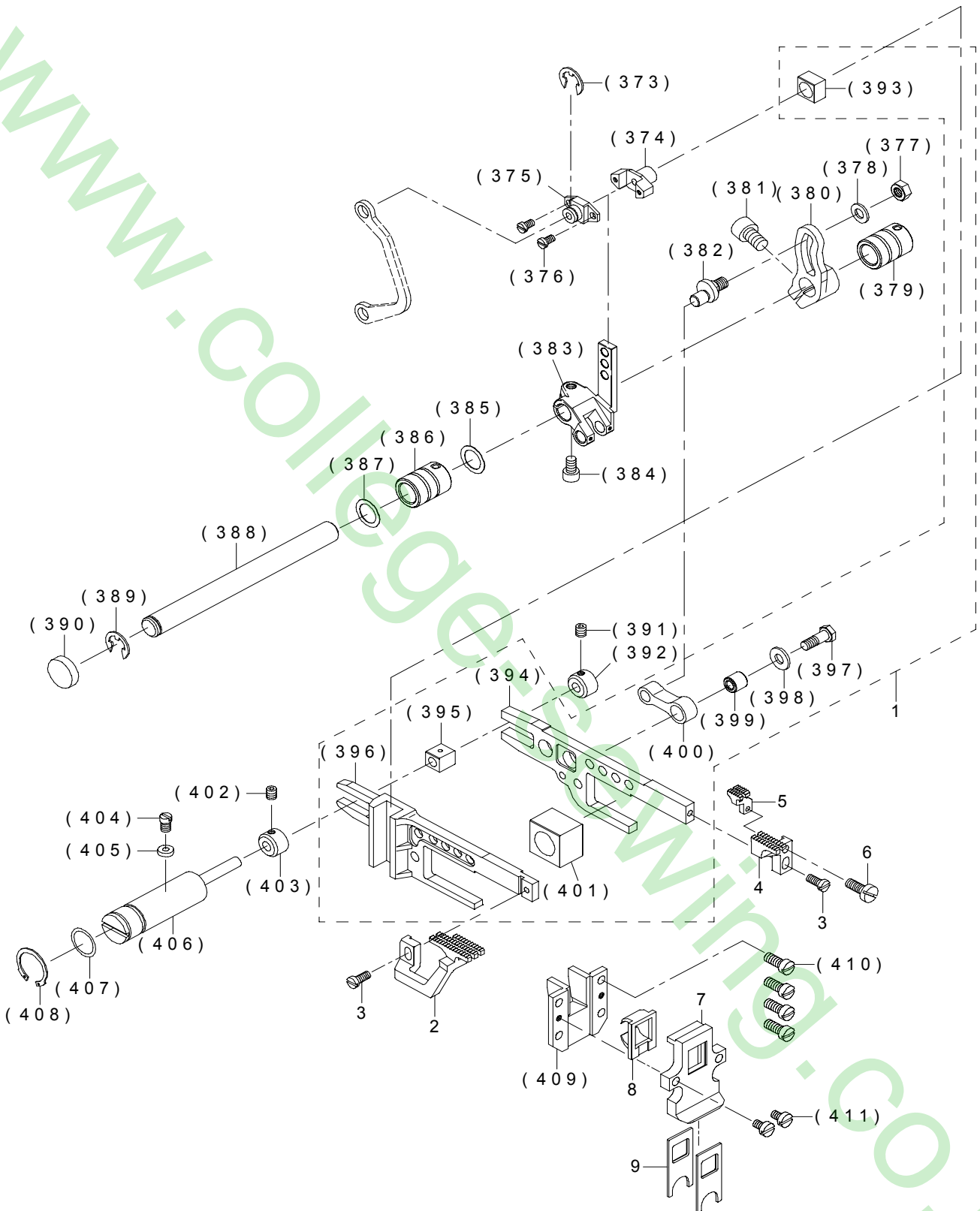
| REF.NO | NOTE | PART NO   | DESCRIPTION                | Qty |
|--------|------|-----------|----------------------------|-----|
| 1      |      | 700-00398 | FIXED PLATE                | 2   |
| 2      |      | 700-00391 | THREAD TAKE-UP DEVICE ASM. | 1   |
| 3      |      | 700-00389 | THREAD GUIDE PLATE         | (1) |
| 4      |      | 700-00390 | THREAD GUIDE PLATE         | (1) |
| 5      |      | 700-00452 | NUT                        | (1) |
| 6      |      | 700-00395 | THREAD TENSION SHAFT       | (1) |
| 7      |      | 700-00392 | THREAD GRIP                | (2) |
| 8      |      | 700-00394 | SPRING                     | (1) |
| 9      |      | 700-00393 | THREAD TENSION KNOB        | (1) |
| 10     |      | 700-00571 | M_SCREW                    | (2) |
| 11     |      | 700-00387 | THREAD GUIDE PLATE         | 1   |
| (198)  | -    | -         | E_SCREW                    | 1   |
| (329)  | -    | -         | PLUG                       | 2   |
| (330)  | -    | -         | DUCT                       | 1   |
| (331)  | -    | -         | THREAD CROSSING            | 1   |
| (332)  | -    | -         | E_SCREW                    | 1   |
| (333)  | -    | -         | BRACKET                    | (1) |
| (334)  | -    | -         | WASHER                     | 2   |
| (335)  | -    | -         | E_SCREW                    | 1   |
| (336)  | -    | -         | M_SCREW                    | 1   |
| (337)  | -    | -         | SPRING PLATE               | 1   |
| (338)  | -    | -         | E_SCREW                    | 2   |
| (339)  | -    | -         | THREAD TENSION CAM         | 1   |
| (340)  | -    | -         | THREAD GUIDE PLATE         | 1   |
| (341)  | -    | -         | E_SCREW                    | 1   |

# 14. FEED MECHANISM COMPONENTS (1)



| REF.NO | NOTE | PART NO   | DESCRIPTION                 | Qty |
|--------|------|-----------|-----------------------------|-----|
| 1      |      | 700-00601 | SPRING                      | 1   |
| 2      |      | 700-00495 | SCREW                       | 1   |
| 3      |      | 700-00372 | FIXED BLOCK                 | 2   |
| 4      |      | 700-00349 | WASHER                      | 2   |
| 5      |      | 700-00344 | GASKET                      | 2   |
| 6      |      | 700-00512 | E_SCREW                     | 2   |
| 7      |      | 700-00345 | WASHER                      | 1   |
| 8      |      | 700-00450 | NUT                         | 1   |
| 9      |      | 700-00276 | ADJUSTING WHEEL ASM.        | 1   |
| 10     |      | 700-00883 | CONNECTING ROD ASM.         | 1   |
| 11     |      | 700-00162 | SPRING PLATE                | 1   |
| 12     |      | 700-00282 | ECCENTRIC                   | 1   |
| 13     |      | 700-00602 | SPRING                      | 1   |
| 14     |      | 700-00568 | M_SCREW                     | 1   |
| 15     |      | 700-00740 | ADJUSTING WHEEL ASM.        | 1   |
| (342)  | -    | -         | CONNECTING ROD              | 1   |
| (343)  | -    | -         | E_SCREW                     | 1   |
| (344)  | -    | -         | DIFFERENTIAL CONNECTING ROD | 1   |
| (345)  | -    | -         | M_SCREW                     | 1   |
| (346)  | -    | -         | BUSHING                     | 1   |
| (347)  | -    | -         | O-RING                      | 1   |
| (348)  | -    | -         | ADJUSTING SEAT              | 1   |
| (349)  | -    | -         | WASHER                      | 1   |
| (350)  | -    | -         | ADJUSTING PLATE             | 1   |
| (351)  | -    | -         | SPACER                      | 2   |
| (352)  | -    | -         | FEED DOG SEAT               | 1   |
| (353)  | -    | -         | E_SCREW                     | 2   |
| (354)  | -    | -         | E_SCREW                     | 1   |
| (355)  | -    | -         | M_SCREW                     | (2) |
| (356)  | -    | -         | PIN                         | (1) |
| (357)  | -    | -         | PIN                         | 1   |
| (358)  | -    | -         | E_SCREW                     | (2) |
| (359)  | -    | -         | ECCENTRIC                   | (1) |
| (360)  | -    | -         | CONNECTING ROD              | (1) |
| (361)  | -    | -         | BEARING                     | (1) |
| (362)  | -    | -         | E_SCREW                     | 1   |
| (363)  | -    | -         | M_SCREW                     | 1   |
| (364)  | -    | -         | PIN                         | (2) |
| (365)  | -    | -         | SLIDE BLOCK                 | (1) |
| (366)  | -    | -         | ADJUSTING WHEEL             | (1) |
| (367)  | -    | -         | SHAFT                       | 1   |
| (368)  | -    | -         | M_SCREW                     | 1   |
| (369)  | -    | -         | O-RING                      | 1   |
| (370)  | -    | -         | WASHER                      | 1   |
| (371)  | -    | -         | SPRING                      | 1   |
| (372)  | -    | -         | E_CIRCLIPS                  | 1   |

15. FEED MECHANISM COMPONENTS (2)



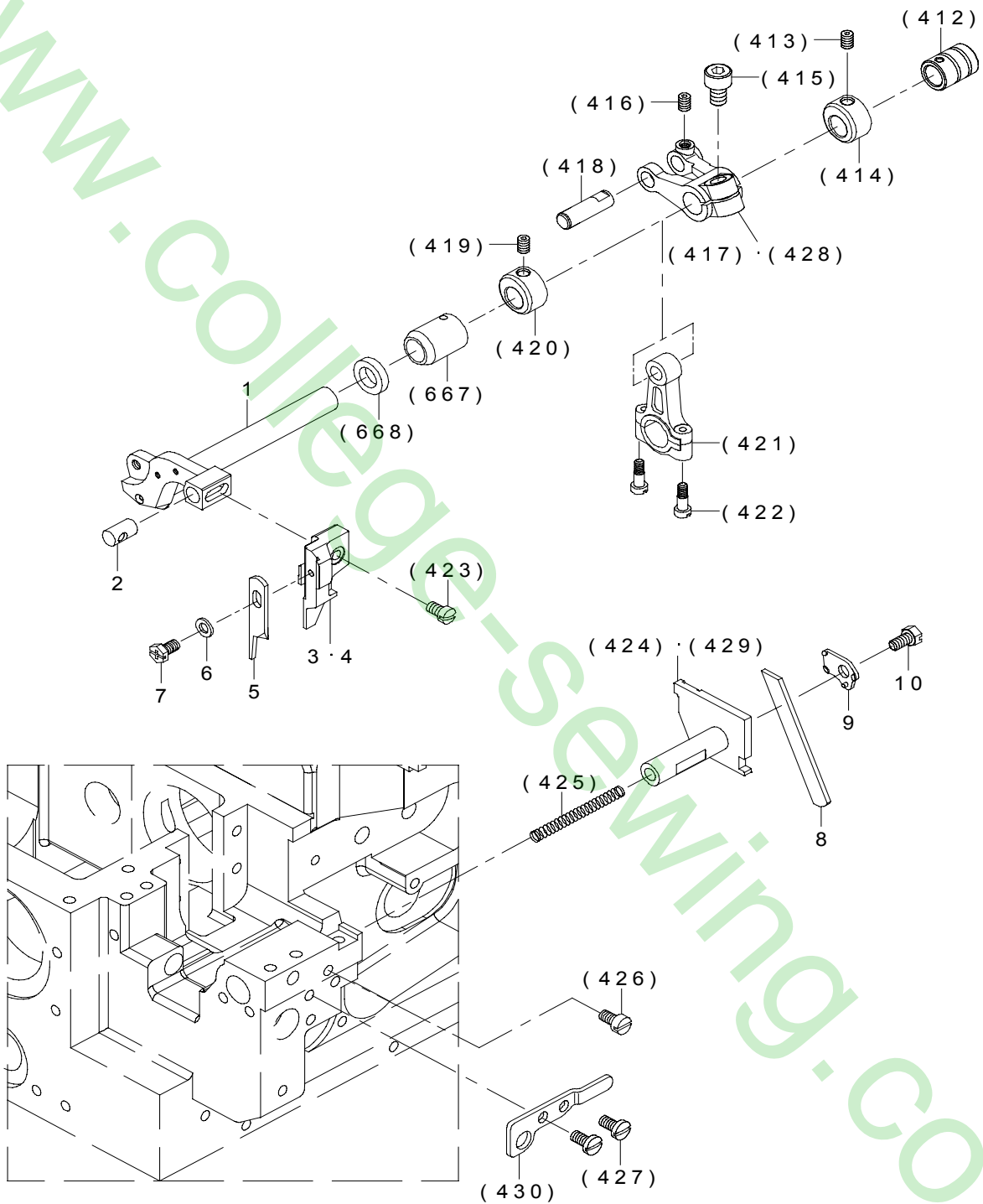
| REF.NO | NOTE | PART NO   | DESCRIPTION        | Qty |
|--------|------|-----------|--------------------|-----|
| 1      |      | 700-00731 | FEED DOG SEAT ASM. | 1   |
| 2      | #01  | *****     | FEED DOG           | 1   |
| 3      |      | 700-00509 | E_SCREW            | 2   |
| 4      | #01  | *****     | FEED DOG           | 1   |
| 5      | #01  | *****     | FEED DOG           | 1   |
| 6      |      | 700-00572 | M_SCREW            | 1   |
| 7      |      | 700-00151 | OIL SCRAPER HOLDER | 1   |
| 8      |      | 700-00150 | OIL SEAL           | 1   |
| 9      |      | 700-00152 | OIL SEAL           | 2   |
| (373)  |      | -         | E_CIRCLIPS         | 1   |
| (374)  |      | -         | ROCKING SEAT       | 1   |
| (375)  |      | -         | ROCKING SEAT       | 1   |
| (376)  |      | -         | E_SCREW            | 2   |
| (377)  |      | -         | NUT                | 1   |
| (378)  |      | -         | WASHER             | 1   |
| (379)  |      | -         | BUSHING            | 1   |
| (380)  |      | -         | CRANK              | 1   |
| (381)  |      | -         | M_SCREW            | 1   |
| (382)  |      | -         | ADJUSTING SHAFT    | 1   |
| (383)  |      | -         | CRANK              | 1   |
| (384)  |      | -         | M_SCREW            | 1   |
| (385)  |      | -         | WASHER             | 1   |
| (386)  |      | -         | BUSHING            | 1   |
| (387)  |      | -         | WASHER             | 1   |
| (388)  |      | -         | ECCENTRIC SHAFT    | 1   |
| (389)  |      | -         | E_CIRCLIPS         | 1   |
| (390)  |      | -         | OIL SEAL           | 1   |
| (391)  |      | -         | E_SCREW            | 1   |
| (392)  |      | -         | COLLAR             | 1   |
| (393)  |      | -         | SLIDE BLOCK        | (1) |
| (394)  |      | -         | FEED DOG SEAT      | (1) |
| (395)  |      | -         | SLIDE BLOCK        | (1) |
| (396)  |      | -         | FEED DOG SEAT      | (1) |
| (397)  |      | -         | E_SCREW            | (1) |
| (398)  |      | -         | GASKET             | (1) |
| (399)  |      | -         | BUSHING            | (1) |
| (400)  |      | -         | CONNECTING ROD     | (1) |
| (401)  |      | -         | SLIDE BLOCK        | (1) |
| (402)  |      | -         | E_SCREW            | 1   |
| (403)  |      | -         | COLLAR             | 1   |
| (404)  |      | -         | E_SCREW            | 1   |
| (405)  |      | -         | OIL SEAL           | 1   |
| (406)  |      | -         | ECCENTRIC SHAFT    | 1   |
| (407)  |      | -         | O-RING             | 1   |
| (408)  |      | -         | E_CIRCLIPS         | 1   |
| (409)  |      | -         | SLIDE BLOCK        | 1   |
| (410)  |      | -         | E_SCREW            | 4   |
| (411)  |      | -         | E_SCREW            | 2   |

NOTE

#01....REFER "MO-6500S GAUGE TABLE"

## 16. KNIFE COMPONENTS

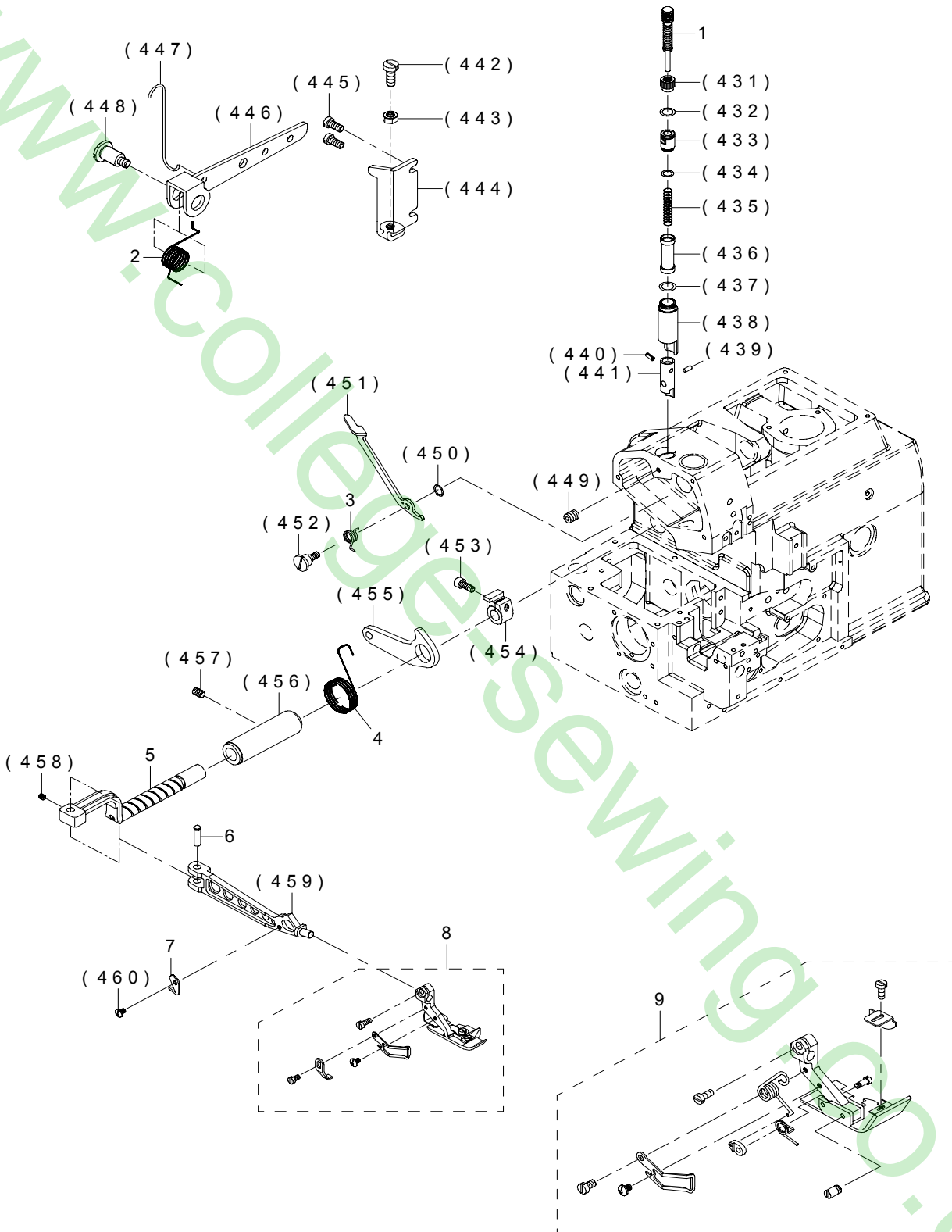
| MODEL    | 04/14 | 16/43 |
|----------|-------|-------|
|          | 3     | 4     |
| PARTS NO | (417) | (428) |
|          | (424) | (429) |





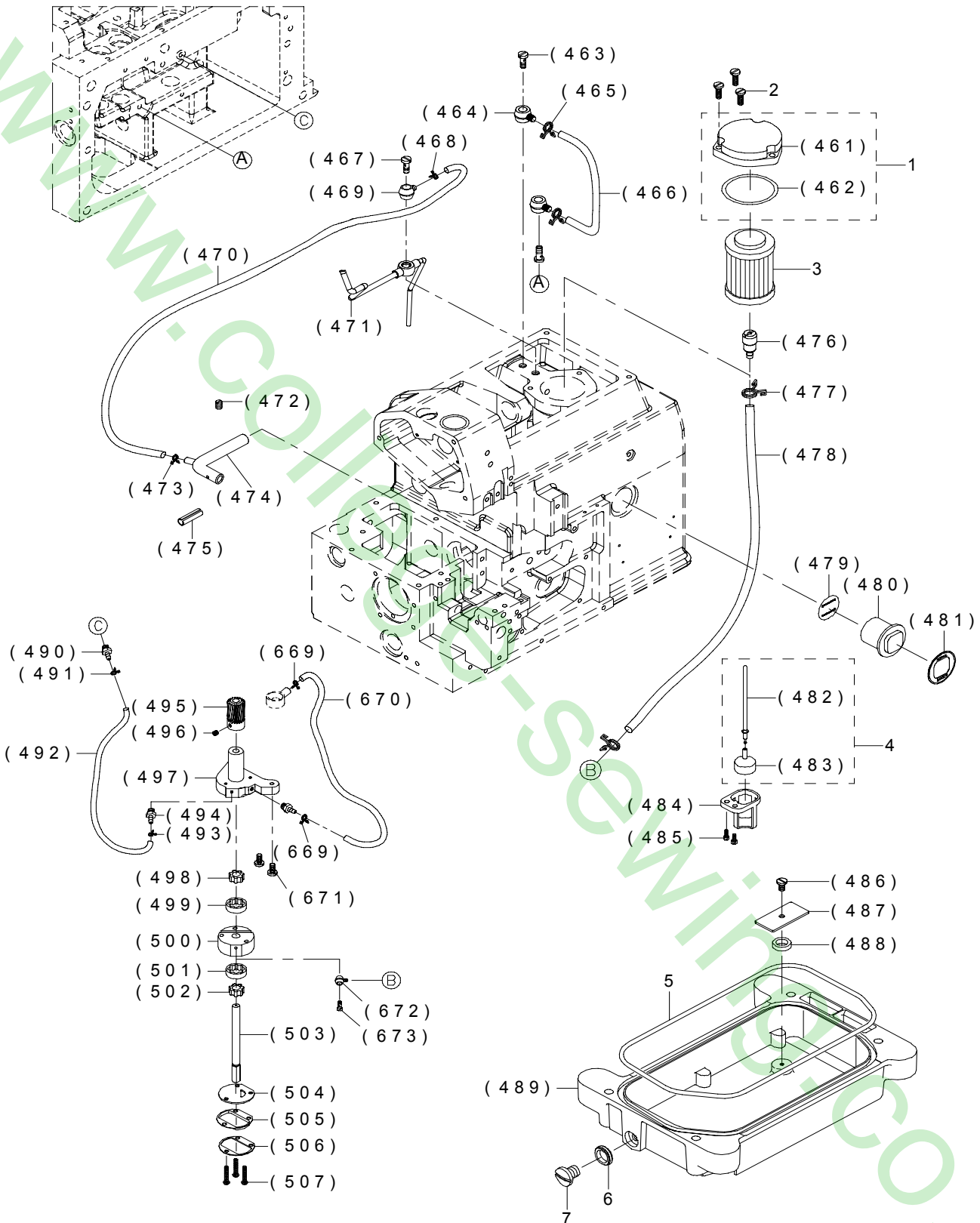
| REF.NO | NOTE | PART NO   | DESCRIPTION    | Qty |
|--------|------|-----------|----------------|-----|
| 1      |      | 700-00235 | SWING AXLE     | 1   |
| 2      |      | 700-00230 | SHAFT          | 1   |
| 3      |      | 700-00234 | KNIFE SEAT     | 1   |
| 4      |      | 700-00843 | KNIFE SEAT     | 1   |
| 5      |      | 700-00229 | KNIFE          | 1   |
| 6      |      | 700-00347 | GASKET         | 1   |
| 7      |      | 700-00510 | E_SCREW        | 1   |
| 8      |      | 700-00399 | KNIFE          | 1   |
| 9      |      | 700-00400 | FIXED PLATE    | 1   |
| 10     |      | 700-00517 | E_SCREW        | 1   |
| (412)  | -    | -         | BUSHING        | 1   |
| (413)  | -    | -         | E_SCREW        | 1   |
| (414)  | -    | -         | COLLAR         | 1   |
| (415)  | -    | -         | M_SCREW        | 1   |
| (416)  | -    | -         | E_SCREW        | 1   |
| (417)  | -    | -         | ROCKING BAR    | 1   |
| (418)  | -    | -         | PIN            | 1   |
| (419)  | -    | -         | E_SCREW        | 1   |
| (420)  | -    | -         | COLLAR         | 1   |
| (421)  | -    | -         | CONNECTING ROD | 1   |
| (422)  | -    | -         | E_SCREW        | 2   |
| (423)  | -    | -         | E_SCREW        | 1   |
| (424)  | -    | -         | KNIFE SEAT     | 1   |
| (425)  | -    | -         | SPRING         | 1   |
| (426)  | -    | -         | E_SCREW        | 1   |
| (427)  | -    | -         | E_SCREW        | 2   |
| (428)  | -    | -         | ROCKING BAR    | 1   |
| (429)  | -    | -         | KNIFE SEAT     | 1   |
| (430)  | -    | -         | FIXED PLATE    | 1   |
| (667)  | -    | -         | BUSHING        | 1   |
| (668)  | -    | -         | OIL SEAL       | 1   |

# 17. PRESSER FOOT COMPONENTS



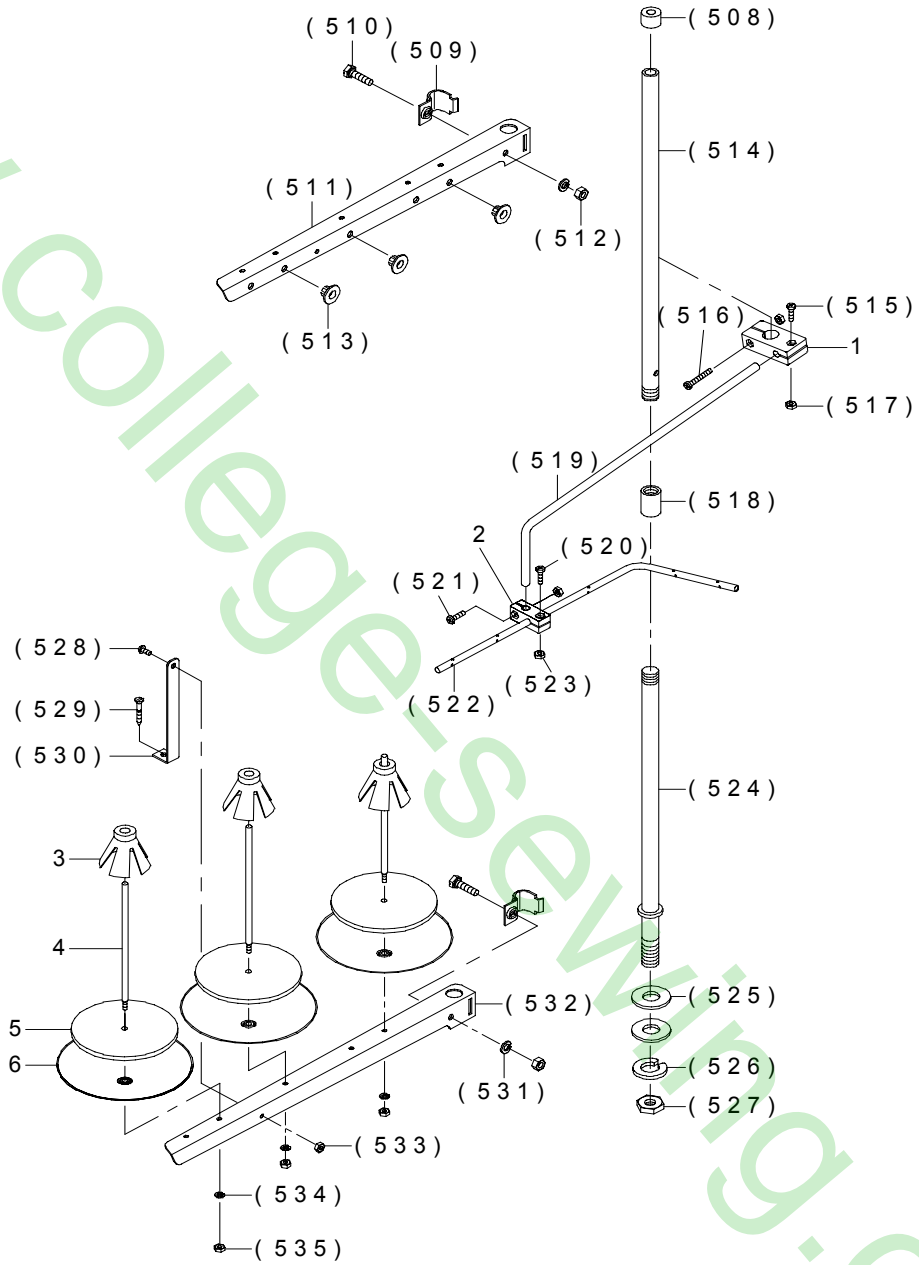
| REF.NO | NOTE | PART NO   | DESCRIPTION                         | Qty |
|--------|------|-----------|-------------------------------------|-----|
| 1      |      | 700-00305 | SCREW ROD                           | 1   |
| 2      |      | 700-00604 | SPRING                              | 1   |
| 3      |      | 700-00607 | SPRING                              | 1   |
| 4      |      | 700-00605 | SPRING                              | 1   |
| 5      |      | 700-00274 | PRESSER FOOT LIFTING LEVER          | 1   |
| 6      |      | 700-00673 | SHAFT                               | 1   |
| 7      |      | 700-00176 | KNIFE                               | 1   |
| 8      | #01  | *****     | PRESSER FOOT                        | 1   |
| 9      | #01  | *****     | PRESSER FOOT                        | 1   |
| (431)  |      | -         | NUT                                 | 1   |
| (432)  |      | -         | O-RING                              | 1   |
| (433)  |      | -         | FIXED BUTTON                        | 1   |
| (434)  |      | -         | O-RING                              | 1   |
| (435)  |      | -         | SPRING                              | 1   |
| (436)  |      | -         | THIMBLE                             | 1   |
| (437)  |      | -         | O-RING                              | 1   |
| (438)  |      | -         | BUSHING                             | 1   |
| (439)  |      | -         | SHAFT                               | 1   |
| (440)  |      | -         | PIN                                 | 1   |
| (441)  |      | -         | SLIDER                              | 1   |
| (442)  |      | -         | M_SCREW                             | 1   |
| (443)  |      | -         | NUT                                 | 1   |
| (444)  |      | -         | STOPPER                             | 1   |
| (445)  |      | -         | E_SCREW                             | 2   |
| (446)  |      | -         | PRESSER FOOT LIFTING LEVER          | 1   |
| (447)  |      | -         | HOOK BAR                            | 1   |
| (448)  |      | -         | M_SCREW                             | 1   |
| (449)  |      | -         | E_SCREW                             | 1   |
| (450)  |      | -         | WASHER                              | 1   |
| (451)  |      | -         | LEVER                               | 1   |
| (452)  |      | -         | E_SCREW                             | 1   |
| (453)  |      | -         | M_SCREW                             | 1   |
| (454)  |      | -         | COLLAR                              | 1   |
| (455)  |      | -         | DRAG LINK                           | 1   |
| (456)  |      | -         | BUSHING                             | 1   |
| (457)  |      | -         | E_SCREW                             | 1   |
| (458)  |      | -         | M_SCREW                             | 1   |
| (459)  |      | -         | PRESSER FOOT ARM                    | 1   |
| (460)  |      | -         | E_SCREW                             | 1   |
|        | NOTE |           | #01....REFER "MO-6500S GAUGE TABLE" |     |

# 18. LUBRICATION MECHANISM COMPONENTS



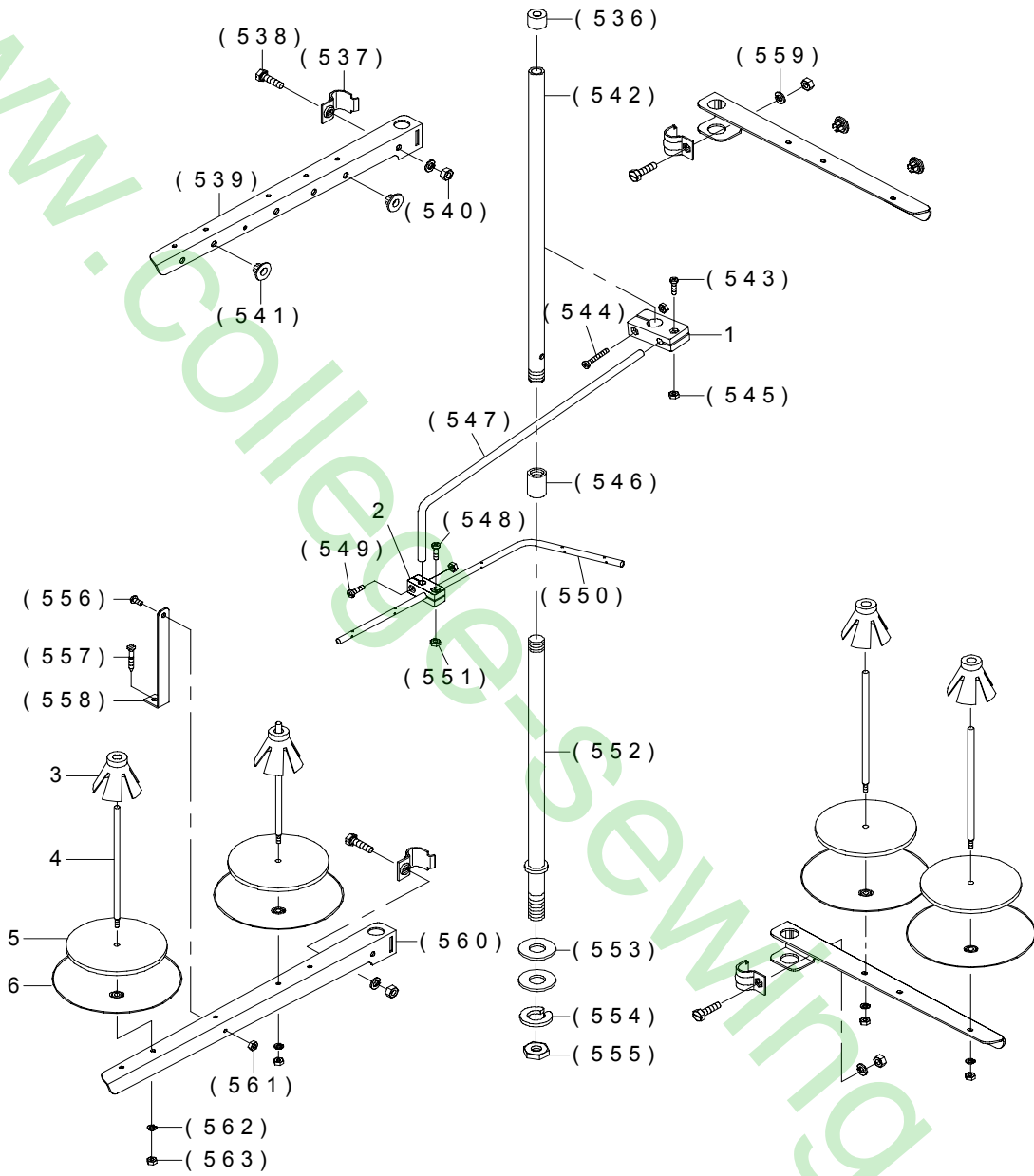
| REF.NO | NOTE | PART NO   | DESCRIPTION               | Qty |
|--------|------|-----------|---------------------------|-----|
| 1      |      | 700-00675 | OIL FILTER                | 1   |
| 2      |      | 700-00520 | E_SCREW                   | 3   |
| 3      |      | 700-00312 | OIL FILTER                | 1   |
| 4      |      | 700-00160 | OIL INDICATOR             | 1   |
| 5      |      | 700-00273 | O-RING                    | 1   |
| 6      |      | 700-00146 | OIL SEAL                  | 1   |
| 7      |      | 700-00533 | E_SCREW                   | 1   |
| (461)  | -    |           | OIL FILTER COVER          | (1) |
| (462)  | -    |           | O-RING                    | (1) |
| (463)  | -    |           | E_SCREW                   | 1   |
| (464)  | -    |           | JOINT                     | 2   |
| (465)  | -    |           | SPRING CLAMP              | 2   |
| (466)  | -    |           | HOSE                      | 1   |
| (467)  | -    |           | E_SCREW                   | 1   |
| (468)  | -    |           | SPRING CLAMP              | 1   |
| (469)  | -    |           | JOINT                     | 1   |
| (470)  | -    |           | HOSE                      | 1   |
| (471)  | -    |           | COPPER TUBE               | 1   |
| (472)  | -    |           | E_SCREW                   | 1   |
| (473)  | -    |           | SPRING CLAMP              | 1   |
| (474)  | -    |           | OIL TUBE                  | 1   |
| (475)  | -    |           | PIN                       | 1   |
| (476)  | -    |           | JOINT                     | 1   |
| (477)  | -    |           | SPRING CLAMP              | 2   |
| (478)  | -    |           | HOSE                      | 1   |
| (479)  | -    |           | NAME PLATE                | 1   |
| (480)  | -    |           | OIL LEVEL INSPECTION LENS | 1   |
| (481)  | -    |           | NAME PLATE                | 1   |
| (482)  | -    |           | OIL INDICATOR ROD         | (1) |
| (483)  | -    |           | OIL INDICATOR             | (1) |
| (484)  | -    |           | BAFFLE                    | 1   |
| (485)  | -    |           | E_SCREW                   | 2   |
| (486)  | -    |           | E_SCREW                   | 1   |
| (487)  | -    |           | BAFFLE                    | 1   |
| (488)  | -    |           | MAGNET                    | 1   |
| (489)  | -    |           | OIL RESERVOIR             | 1   |
| (490)  | -    |           | JOINT                     | 1   |
| (491)  | -    |           | SPRING CLAMP              | 1   |
| (492)  | -    |           | HOSE                      | 1   |
| (493)  | -    |           | SPRING CLAMP              | 1   |
| (494)  | -    |           | JOINT                     | 1   |
| (495)  | -    |           | GEAR                      | 1   |
| (496)  | -    |           | M_SCREW                   | 1   |
| (497)  | -    |           | PUMP BODY                 | 1   |
| (498)  | -    |           | GEAR                      | 1   |
| (499)  | -    |           | GEAR                      | 1   |
| (500)  | -    |           | PUMP BODY                 | 1   |
| (501)  | -    |           | GEAR                      | 1   |
| (502)  | -    |           | GEAR                      | 1   |
| (503)  | -    |           | SHAFT                     | 1   |
| (504)  | -    |           | PUMP COVER                | 1   |
| (505)  | -    |           | FILTER NET                | 1   |
| (506)  | -    |           | GASKET                    | 1   |
| (507)  | -    |           | M_SCREW                   | 3   |
| (669)  | -    |           | SPRING CLAMP              | 2   |
| (670)  | -    |           | OIL TUBE                  | 1   |
| (671)  | -    |           | E_SCREW                   | 2   |
| (672)  | -    |           | JOINT                     | 1   |
| (673)  | -    |           | E_SCREW                   | 1   |

19. THREAD STAND COMPONENTS (FOR MO-6504S)



| REF.NO | NOTE | PART NO   | DESCRIPTION             | Qty |
|--------|------|-----------|-------------------------|-----|
| 1      |      | 700-00180 | THREAD STEADY BALL SEAT | 1   |
| 2      |      | 700-00181 | THREAD GUIDE BAR        | 1   |
| 3      |      | 700-00218 | COILING SEAT            | 3   |
| 4      |      | 700-00217 | FIXED PLATE             | 3   |
| 5      |      | 700-00216 | FIXED SEAT              | 3   |
| 6      |      | 700-00215 | CONNECTING LOOP         | 3   |
| (508)  | -    |           | THREAD STAND COVER      | 1   |
| (509)  | -    |           | FIXED PLATE             | 2   |
| (510)  | -    |           | SCREW                   | 2   |
| (511)  | -    |           | THREAD GUIDE BAR        | 1   |
| (512)  | -    |           | NUT                     | 2   |
| (513)  | -    |           | PLUG                    | 3   |
| (514)  | -    |           | THREAD STAND ROD        | 1   |
| (515)  | -    |           | SCREW                   | 1   |
| (516)  | -    |           | SCREW                   | 1   |
| (517)  | -    |           | NUT                     | 2   |
| (518)  | -    |           | CONNECTING LOOP         | 1   |
| (519)  | -    |           | THREAD GUIDE BAR        | 1   |
| (520)  | -    |           | SCREW                   | 1   |
| (521)  | -    |           | SCREW                   | 1   |
| (522)  | -    |           | THREAD GUIDE PLATE      | 1   |
| (523)  | -    |           | NUT                     | 2   |
| (524)  | -    |           | THREAD STAND ROD        | 1   |
| (525)  | -    |           | WASHER                  | 2   |
| (526)  | -    |           | WASHER                  | 1   |
| (527)  | -    |           | NUT                     | 1   |
| (528)  | -    |           | SCREW                   | 1   |
| (529)  | -    |           | E_SCREW                 | 1   |
| (530)  | -    |           | SUPPORTER               | 1   |
| (531)  | -    |           | WASHER                  | 2   |
| (532)  | -    |           | THREAD GUIDE BAR        | 1   |
| (533)  | -    |           | NUT                     | 1   |
| (534)  | -    |           | WASHER                  | 3   |
| (535)  | -    |           | NUT                     | 3   |

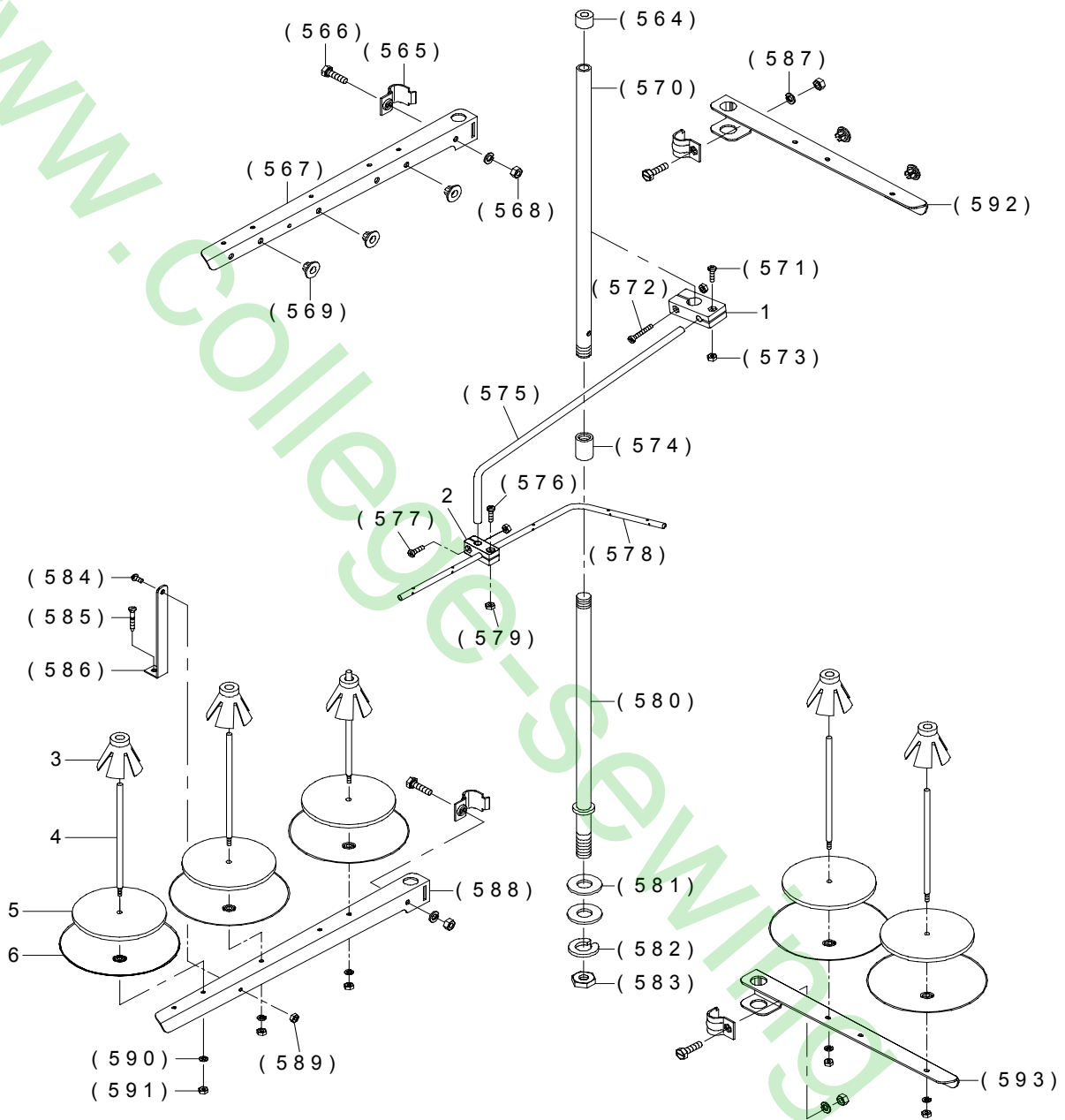
20. THREAD STAND COMPONENTS (FOR MO-6514S)





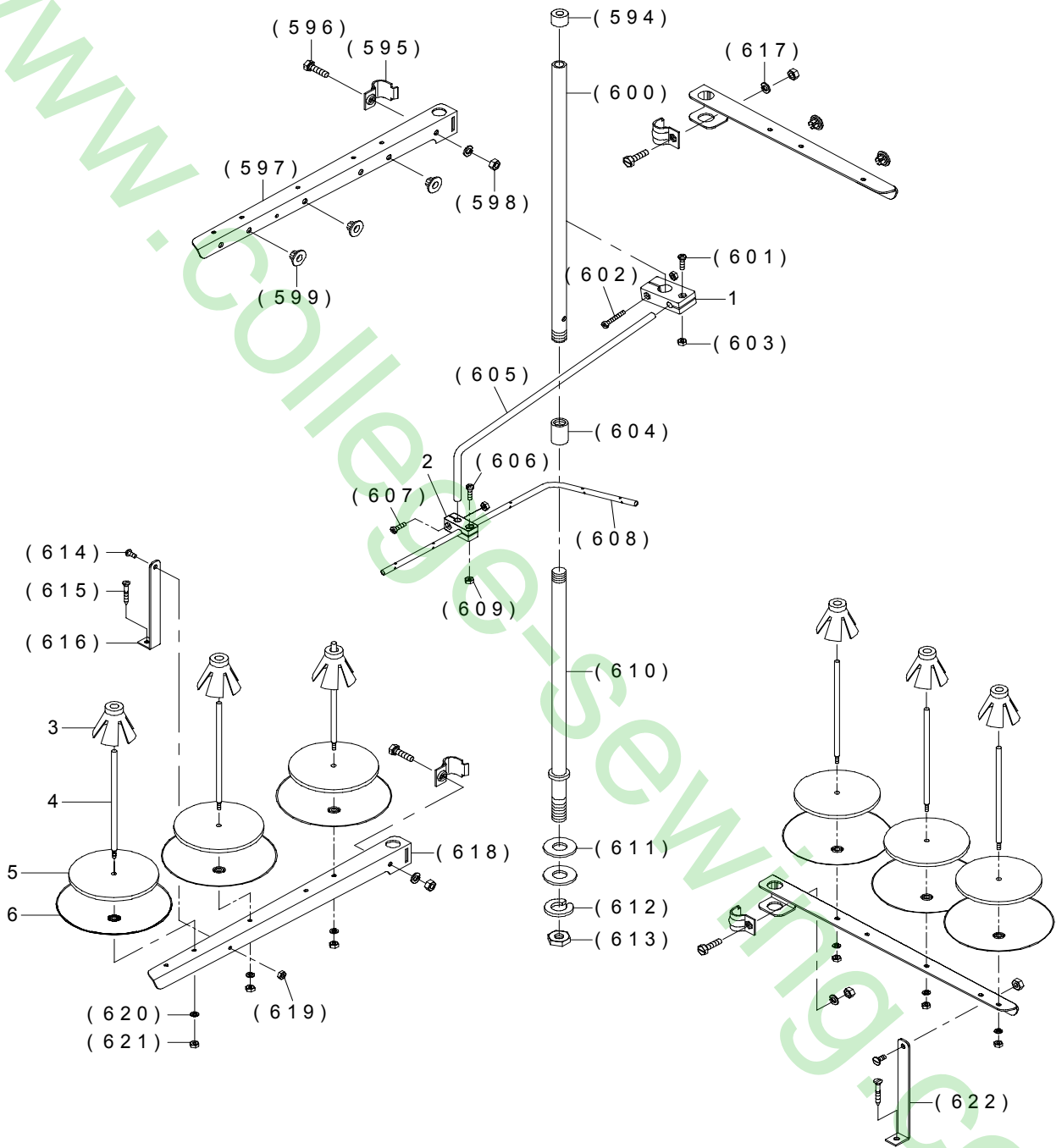
| REF.NO | NOTE | PART NO   | DESCRIPTION             | Qty |
|--------|------|-----------|-------------------------|-----|
| 1      |      | 700-00180 | THREAD STEADY BALL SEAT | 1   |
| 2      |      | 700-00181 | THREAD GUIDE BAR        | 1   |
| 3      |      | 700-00218 | COILING SEAT            | 4   |
| 4      |      | 700-00217 | FIXED PLATE             | 4   |
| 5      |      | 700-00216 | FIXED SEAT              | 4   |
| 6      |      | 700-00215 | CONNECTING LOOP         | 4   |
| (536)  | -    | -         | THREAD STAND COVER      | 1   |
| (537)  | -    | -         | FIXED PLATE             | 4   |
| (538)  | -    | -         | SCREW                   | 4   |
| (539)  | -    | -         | THREAD GUIDE BAR        | 2   |
| (540)  | -    | -         | NUT                     | 4   |
| (541)  | -    | -         | PLUG                    | 4   |
| (542)  | -    | -         | THREAD STAND ROD        | 1   |
| (543)  | -    | -         | SCREW                   | 1   |
| (544)  | -    | -         | SCREW                   | 1   |
| (545)  | -    | -         | NUT                     | 2   |
| (546)  | -    | -         | CONNECTING LOOP         | 1   |
| (547)  | -    | -         | THREAD GUIDE BAR        | 1   |
| (548)  | -    | -         | SCREW                   | 1   |
| (549)  | -    | -         | SCREW                   | 1   |
| (550)  | -    | -         | THREAD GUIDE PLATE      | 1   |
| (551)  | -    | -         | NUT                     | 2   |
| (552)  | -    | -         | THREAD STAND ROD        | 1   |
| (553)  | -    | -         | WASHER                  | 2   |
| (554)  | -    | -         | WASHER                  | 1   |
| (555)  | -    | -         | NUT                     | 1   |
| (556)  | -    | -         | SCREW                   | 1   |
| (557)  | -    | -         | E_SCREW                 | 1   |
| (558)  | -    | -         | SUPPORTER               | 1   |
| (559)  | -    | -         | WASHER                  | 4   |
| (560)  | -    | -         | THREAD GUIDE BAR        | 2   |
| (561)  | -    | -         | NUT                     | 1   |
| (562)  | -    | -         | WASHER                  | 4   |
| (563)  | -    | -         | NUT                     | 4   |

21. THREAD STAND COMPONENTS (FOR MO-6516S)



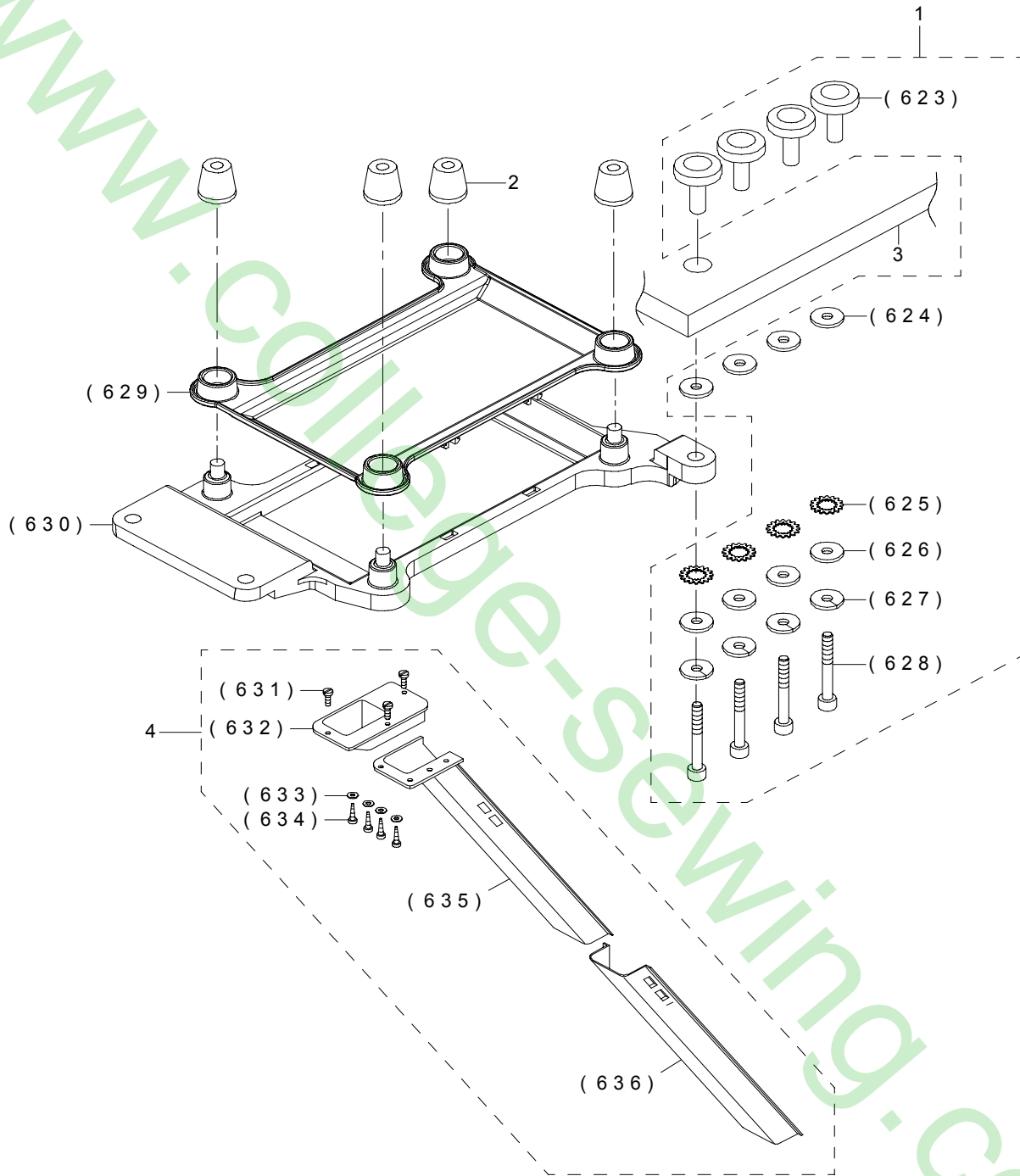
| REF.NO | NOTE | PART NO   | DESCRIPTION             | Qty |
|--------|------|-----------|-------------------------|-----|
| 1      |      | 700-00180 | FIXED SEAT              | 1   |
| 2      |      | 700-00181 | FIXED SEAT              | 1   |
| 3      |      | 700-00218 | THREAD STEADY BALL SEAT | 5   |
| 4      |      | 700-00217 | CONNECTING LOOP         | 5   |
| 5      |      | 700-00216 | SPONGY CUSHION          | 5   |
| 6      |      | 700-00215 | COILING SEAT            | 5   |
| (564)  | -    |           | THREAD STAND COVER      | 1   |
| (565)  | -    |           | FIXED PLATE             | 4   |
| (566)  | -    |           | SCREW                   | 4   |
| (567)  | -    |           | THREAD GUIDE BAR        | 1   |
| (568)  | -    |           | NUT                     | 4   |
| (569)  | -    |           | PLUG                    | 5   |
| (570)  | -    |           | THREAD STAND ROD        | 1   |
| (571)  | -    |           | SCREW                   | 1   |
| (572)  | -    |           | SCREW                   | 1   |
| (573)  | -    |           | NUT                     | 2   |
| (574)  | -    |           | CONNECTING LOOP         | 1   |
| (575)  | -    |           | THREAD GUIDE BAR        | 1   |
| (576)  | -    |           | SCREW                   | 1   |
| (577)  | -    |           | SCREW                   | 1   |
| (578)  | -    |           | THREAD GUIDE PLATE      | 1   |
| (579)  | -    |           | NUT                     | 2   |
| (580)  | -    |           | THREAD STAND ROD        | 1   |
| (581)  | -    |           | WASHER                  | 2   |
| (582)  | -    |           | WASHER                  | 1   |
| (583)  | -    |           | NUT                     | 1   |
| (584)  | -    |           | SCREW                   | 1   |
| (585)  | -    |           | E SCREW                 | 1   |
| (586)  | -    |           | SUPPORTER               | 1   |
| (587)  | -    |           | WASHER                  | 4   |
| (588)  | -    |           | THREAD GUIDE BAR        | 1   |
| (589)  | -    |           | NUT                     | 1   |
| (590)  | -    |           | WASHER                  | 5   |
| (591)  | -    |           | NUT                     | 5   |
| (592)  | -    |           | THREAD GUIDE BAR        | 1   |
| (593)  | -    |           | THREAD GUIDE BAR        | 1   |

22. THREAD STAND COMPONENTS (FOR MO-6543S)



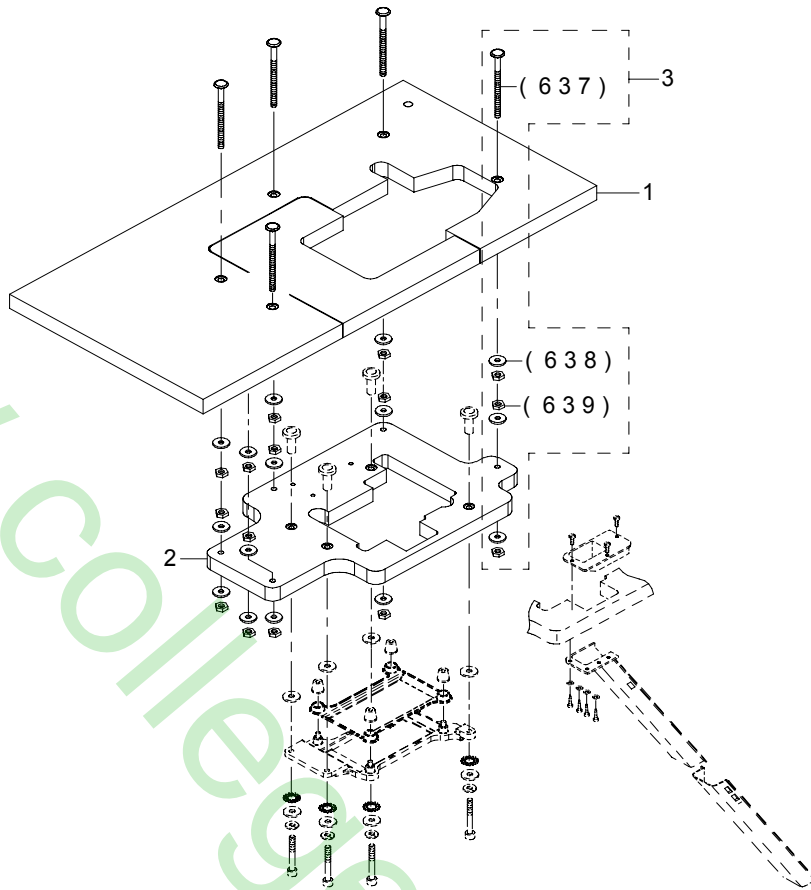
| REF.NO | NOTE | PART NO   | DESCRIPTION             | Qty |
|--------|------|-----------|-------------------------|-----|
| 1      |      | 700-00180 | FIXED SEAT              | 1   |
| 2      |      | 700-00181 | FIXED SEAT              | 1   |
| 3      |      | 700-00218 | THREAD STEADY BALL SEAT | 6   |
| 4      |      | 700-00217 | CONNECTING LOOP         | 6   |
| 5      |      | 700-00216 | SPONGY CUSHION          | 6   |
| 6      |      | 700-00215 | COILING SEAT            | 6   |
| (594)  | -    |           | THREAD STAND COVER      | 1   |
| (595)  | -    |           | FIXED PLATE             | 4   |
| (596)  | -    |           | SCREW                   | 4   |
| (597)  | -    |           | THREAD GUIDE BAR        | 2   |
| (598)  | -    |           | NUT                     | 4   |
| (599)  | -    |           | PLUG                    | 6   |
| (600)  | -    |           | THREAD STAND ROD        | 1   |
| (601)  | -    |           | SCREW                   | 1   |
| (602)  | -    |           | SCREW                   | 1   |
| (603)  | -    |           | NUT                     | 2   |
| (604)  | -    |           | CONNECTING LOOP         | 1   |
| (605)  | -    |           | THREAD GUIDE BAR        | 1   |
| (606)  | -    |           | SCREW                   | 1   |
| (607)  | -    |           | SCREW                   | 1   |
| (608)  | -    |           | THREAD GUIDE PLATE      | 1   |
| (609)  | -    |           | NUT                     | 2   |
| (610)  | -    |           | THREAD STAND ROD        | 1   |
| (611)  | -    |           | WASHER                  | 2   |
| (612)  | -    |           | WASHER                  | 1   |
| (613)  | -    |           | NUT                     | 1   |
| (614)  | -    |           | SCREW                   | 2   |
| (615)  | -    |           | E SCREW                 | 2   |
| (616)  | -    |           | SUPPORTER               | 1   |
| (617)  | -    |           | WASHER                  | 4   |
| (618)  | -    |           | THREAD GUIDE BAR        | 2   |
| (619)  | -    |           | NUT                     | 2   |
| (620)  | -    |           | WASHER                  | 6   |
| (621)  | -    |           | NUT                     | 6   |
| (622)  | -    |           | SUPPORTER               | 1   |

23. SEMI-SUNKEN TYPE TABLE COMPONENTS



| REF.NO | NOTE | PART NO   | DESCRIPTION             | Qty |
|--------|------|-----------|-------------------------|-----|
| 1      |      | 700-00265 | BOLT ASM.               | 1   |
| 2      |      | 700-00338 | RUBBER BLOCK            | 4   |
| 3      |      | 700-00854 | TABLE                   | 1   |
| 4      |      | 700-00484 | WASTE FABRIC CHUTE ASM. | 1   |
| (623)  |      | -         | FIXED SHAFT             | (4) |
| (624)  |      | -         | RUBBER BLOCK            | (4) |
| (625)  |      | -         | WASHER                  | (4) |
| (626)  |      | -         | WASHER                  | (4) |
| (627)  |      | -         | WASHER                  | (4) |
| (628)  |      | -         | BOLT                    | (4) |
| (629)  |      | -         | RUBBER PAD              | 1   |
| (630)  |      | -         | CHASSIS                 | 1   |
| (631)  |      | -         | E_SCREW                 | (3) |
| (632)  |      | -         | WASTE FABRIC CHUTE      | (1) |
| (633)  |      | -         | WASHER                  | (4) |
| (634)  |      | -         | E_SCREW                 | (4) |
| (635)  |      | -         | WASTE FABRIC CHUTE      | (1) |
| (636)  |      | -         | WASTE FABRIC CHUTE      | (1) |

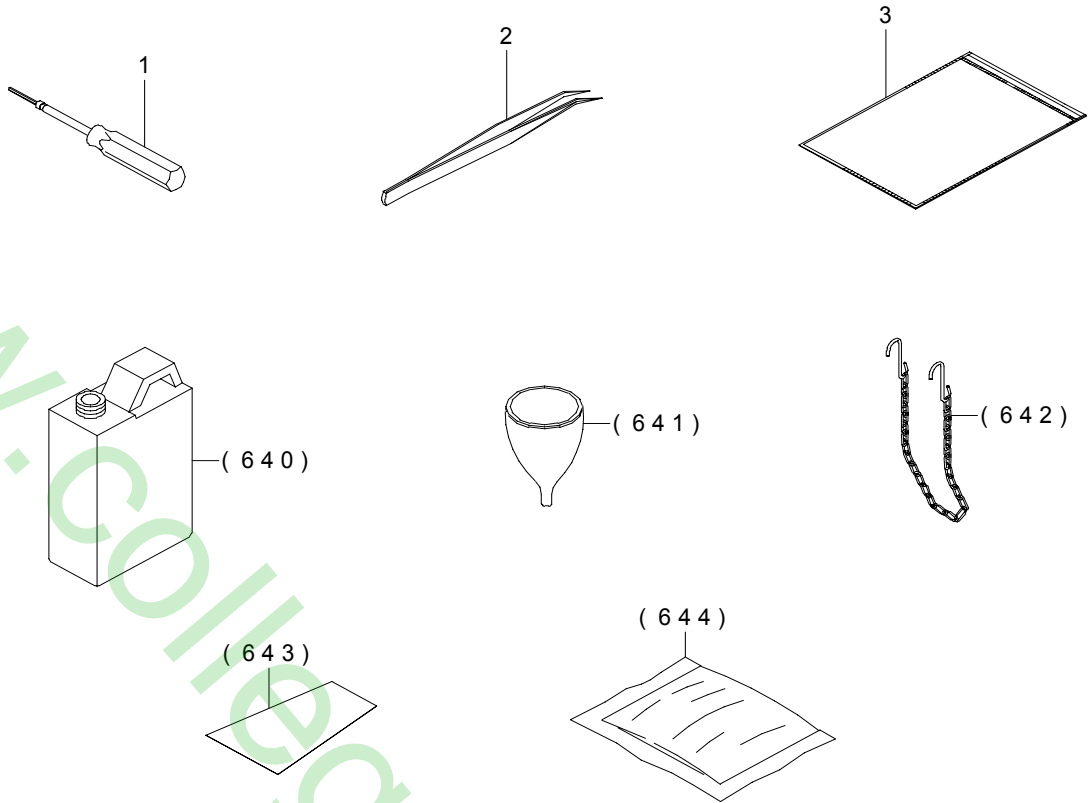
## 24. FULLY-SUNKEN TYPE TABLE COMPONENTS



| REF.NO | NOTE | PART NO   | DESCRIPTION                                                   | Qty  |
|--------|------|-----------|---------------------------------------------------------------|------|
| 1      |      | 700-00444 | TABLE                                                         | 1    |
| 2      |      | 700-00706 | FIXED PLATE                                                   | 1    |
| 3      | #01  | 700-00884 | BOLT ASM.                                                     | 1    |
| (637)  |      | -         | SCREW                                                         | (5)  |
| (638)  |      | -         | WASHER                                                        | (15) |
| (639)  |      | -         | NUT                                                           | (15) |
|        | NOTE |           | #01 ....FIVE PARTS ENCLOSED WITH THE DOTTED LINE ARE ENCLOSED |      |

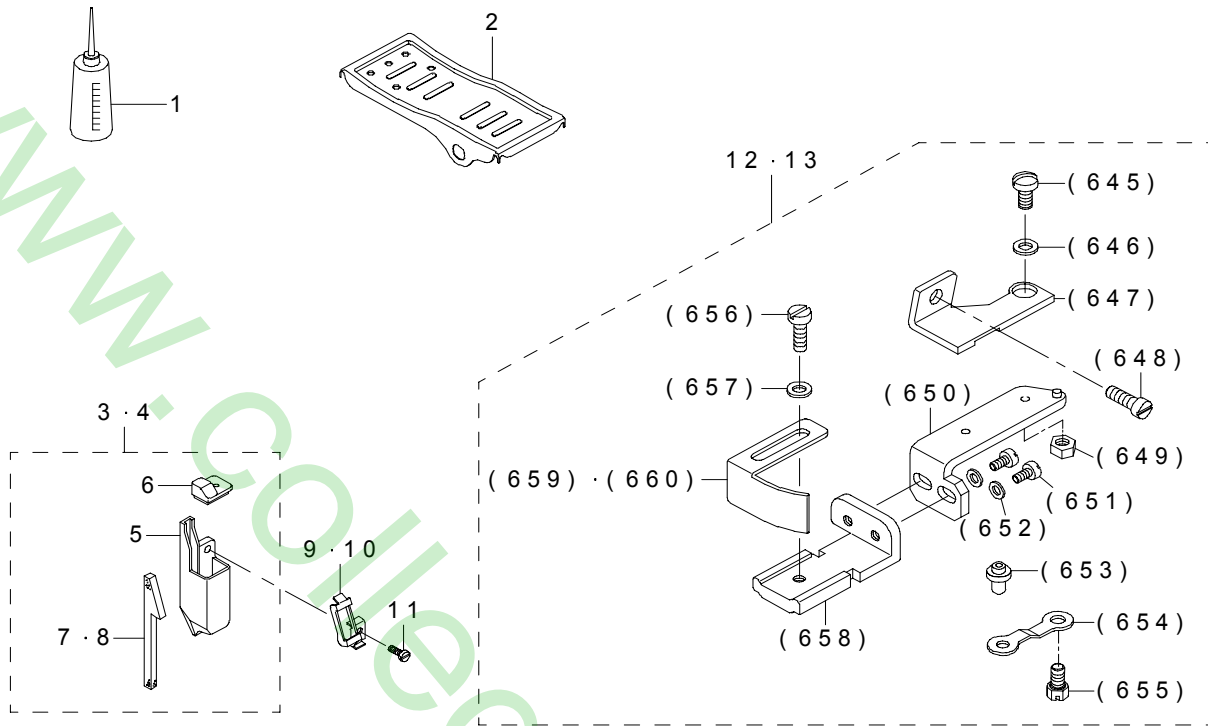


25. ACCESSORIES PARTS COMPONENTS



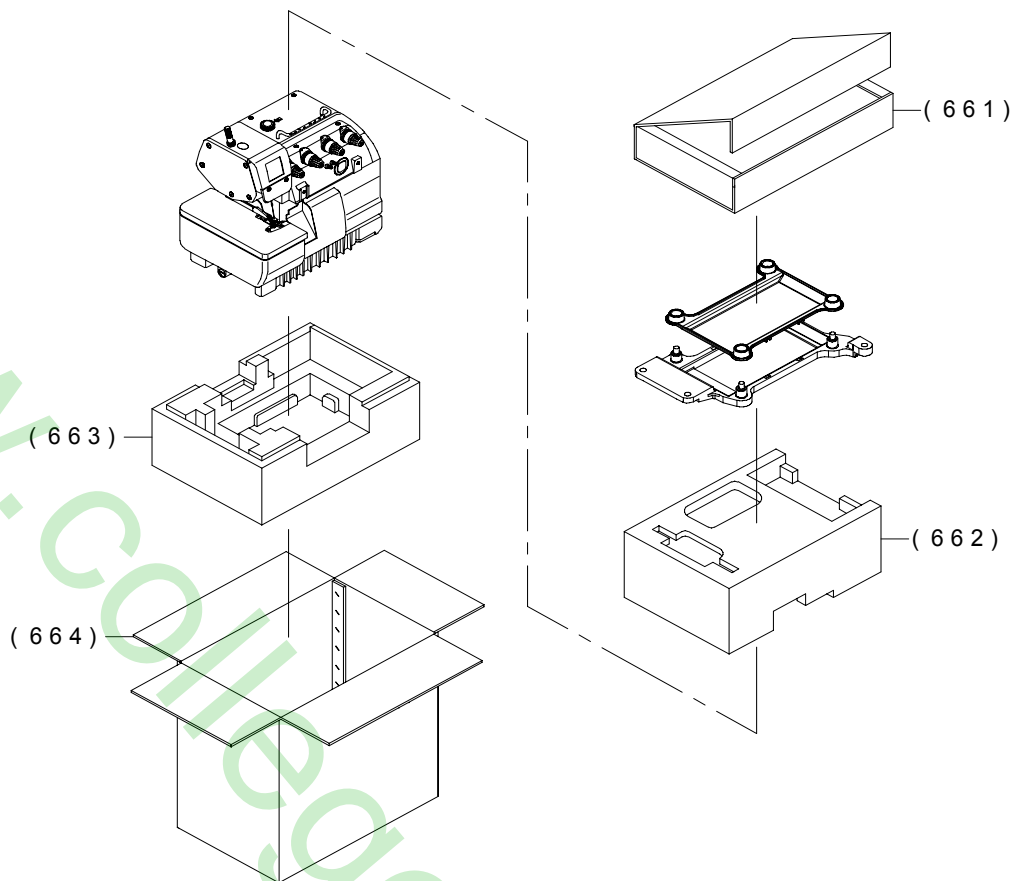
| REF.NO | NOTE | PART NO   | DESCRIPTION         | Qty |
|--------|------|-----------|---------------------|-----|
| 1      |      | 700-00758 | HEXAGON SCREWDRIVER | 1   |
| 2      |      | 700-00759 | TWEEZERS            | 1   |
| 3      |      | 700-00866 | TOOL BAG            | 1   |
| (640)  | -    | -         | OIL POT             | 1   |
| (641)  | -    | -         | FUNNEL              | 1   |
| (642)  | -    | -         | CHAIN               | 1   |
| (643)  | -    | -         | NEEDLE PLATE PAPER  | 1   |
| (644)  | -    | -         | DESICCATIVE         | 1   |

## 26. SPECIAL ORDER PARTS COMPONENTS



| REF.NO | NOTE | PART NO   | DESCRIPTION                | Qty |
|--------|------|-----------|----------------------------|-----|
| 1      |      | 700-00865 | OILER                      | 1   |
| 2      |      | 700-00867 | PEDAL                      | 1   |
| 3      |      | 700-00887 | SILICON TANK ASM.(OVER)    | 1   |
| 4      |      | 700-00888 | SILICON TANK ASM.(INTER)   | 1   |
| 5      |      | 700-00847 | TANK                       | (1) |
| 6      |      | 700-00849 | COVER                      | (1) |
| 7      |      | 700-00848 | OIL FELT (OVER)            | (1) |
| 8      |      | 700-00885 | OIL FELT (INTER)           | (1) |
| 9      |      | 700-00850 | THREAD GUIDE PLATE (OVER)  | 1   |
| 10     |      | 700-00886 | THREAD GUIDE PLATE (INTER) | 1   |
| 11     |      | 700-00853 | E_SCREW                    | 1   |
| 12     |      | 700-00852 | FABRIC GUIDE ASM.(OVER)    | 1   |
| 13     |      | 700-00889 | FABRIC GUIDE ASM.(INTER)   | 1   |
| (645)  |      | -         | E_SCREW                    | (1) |
| (646)  |      | -         | GASKET                     | (1) |
| (647)  |      | -         | FABRIC GUIDE SEAT          | (1) |
| (648)  |      | -         | E_SCREW                    | (1) |
| (649)  |      | -         | NUT                        | (1) |
| (650)  |      | -         | FIXED PLATE                | (1) |
| (651)  |      | -         | E_SCREW                    | (2) |
| (652)  |      | -         | WASHER                     | (2) |
| (653)  |      | -         | PIN                        | (1) |
| (654)  |      | -         | SPRING PLATE               | (1) |
| (655)  |      | -         | E_SCREW                    | (1) |
| (656)  |      | -         | E_SCREW                    | (1) |
| (657)  |      | -         | WASHER                     | (1) |
| (658)  |      | -         | SWING AXLE                 | (1) |
| (659)  |      | -         | FABRIC GUIDE (OVER)        | (1) |
| (660)  |      | -         | FABRIC GUIDE (INTER)       | (1) |

## 27. PACKING COMPONENTS



| REF.NO | NOTE | PART NO | DESCRIPTION  | Qty |
|--------|------|---------|--------------|-----|
| (661)  | -    | -       | THREAD STAND | 1   |
| (662)  | -    | -       | POLYSTYRENE  | 1   |
| (663)  | -    | -       | POLYSTYRENE  | 1   |
| (664)  | -    | -       | CARTON       | 1   |

NUMERICAL INDEX OF PARTS

| PART NO | PAGE | REF NO | PART NO | PAGE | REF NO | PART NO | PAGE | REF NO | PART NO | PAGE | REF NO |
|---------|------|--------|---------|------|--------|---------|------|--------|---------|------|--------|
| -       | 9    | 2      | -       | 11   | 35     | -       | 17   | 54     | -       | 21   | 31     |
| -       | 11   | 24     | -       | 11   | 36     | -       | 17   | 55     | -       | 21   | 32     |
| -       | 17   | 50     | -       | 11   | 37     | -       | 17   | 56     | -       | 21   | 33     |
| -       | 19   | 21     | -       | 11   | 38     | -       | 17   | 57     | -       | 23   | 11     |
| -       | 21   | 13     | -       | 11   | 39     | -       | 17   | 58     | -       | 23   | 12     |
| -       | 23   | 10     | -       | 11   | 40     | -       | 17   | 59     | -       | 23   | 13     |
| -       | 25   | 12     | -       | 11   | 41     | -       | 17   | 60     | -       | 23   | 14     |
| -       | 27   | 16     | -       | 11   | 42     | -       | 17   | 61     | -       | 23   | 15     |
| -       | 29   | 10     | -       | 11   | 43     | -       | 17   | 62     | -       | 23   | 16     |
| -       | 31   | 11     | -       | 13   | 1      | -       | 17   | 63     | -       | 23   | 17     |
| -       | 33   | 10     | -       | 13   | 2      | -       | 17   | 64     | -       | 23   | 18     |
| -       | 35   | 8      | -       | 13   | 3      | -       | 17   | 65     | -       | 23   | 19     |
| -       | 37   | 7      | -       | 13   | 4      | -       | 17   | 66     | -       | 23   | 20     |
| -       | 39   | 7      | -       | 13   | 5      | -       | 17   | 67     | -       | 23   | 21     |
| -       | 41   | 7      | -       | 13   | 6      | -       | 17   | 68     | -       | 23   | 22     |
| -       | 43   | 7      | -       | 13   | 7      | -       | 17   | 69     | -       | 23   | 23     |
| -       | 45   | 5      | -       | 13   | 8      | -       | 17   | 70     | -       | 23   | 24     |
| -       | 46   | 4      | -       | 13   | 9      | -       | 19   | 22     | -       | 23   | 25     |
| -       | 47   | 4      | -       | 13   | 10     | -       | 19   | 23     | -       | 23   | 26     |
| -       | 48   | 14     | -       | 13   | 11     | -       | 19   | 24     | -       | 23   | 27     |
| -       |      |        | -       | 13   | 12     | -       | 19   | 25     | -       | 23   | 28     |
| -       | 7    | 1      | -       | 13   | 13     | -       | 19   | 26     | -       | 23   | 29     |
| -       | 7    | 2      | -       | 13   | 14     | -       | 19   | 27     | -       | 23   | 30     |
| -       | 7    | 3      | -       | 13   | 15     | -       | 19   | 28     | -       | 23   | 31     |
| -       | 7    | 4      | -       | 13   | 16     | -       | 19   | 29     | -       | 23   | 32     |
| -       | 7    | 5      | -       | 13   | 17     | -       | 19   | 30     | -       | 23   | 33     |
| -       | 7    | 6      | -       | 13   | 18     | -       | 19   | 31     | -       | 23   | 34     |
| -       | 7    | 7      | -       | 13   | 19     | -       | 19   | 32     | -       | 25   | 13     |
| -       | 7    | 8      | -       | 13   | 20     | -       | 19   | 33     | -       | 25   | 14     |
| -       | 7    | 9      | -       | 13   | 21     | -       | 19   | 34     | -       | 25   | 15     |
| -       | 7    | 10     | -       | 13   | 22     | -       | 19   | 35     | -       | 25   | 16     |
| -       | 7    | 11     | -       | 13   | 23     | -       | 19   | 36     | -       | 25   | 17     |
| -       | 7    | 12     | -       | 13   | 24     | -       | 19   | 37     | -       | 25   | 18     |
| -       | 7    | 13     | -       | 13   | 25     | -       | 19   | 38     | -       | 25   | 19     |
| -       | 7    | 14     | -       | 13   | 26     | -       | 19   | 39     | -       | 25   | 20     |
| -       | 7    | 15     | -       | 13   | 27     | -       | 19   | 40     | -       | 25   | 21     |
| -       | 7    | 16     | -       | 13   | 28     | -       | 19   | 41     | -       | 25   | 22     |
| -       | 7    | 17     | -       | 13   | 29     | -       | 19   | 42     | -       | 25   | 23     |
| -       | 7    | 18     | -       | 13   | 30     | -       | 19   | 43     | -       | 25   | 24     |
| -       | 7    | 19     | -       | 13   | 31     | -       | 19   | 44     | -       | 25   | 25     |
| -       | 7    | 20     | -       | 13   | 32     | -       | 19   | 45     | -       | 25   | 26     |
| -       | 7    | 21     | -       | 13   | 33     | -       | 19   | 46     | -       | 27   | 17     |
| -       | 7    | 22     | -       | 13   | 34     | -       | 19   | 47     | -       | 27   | 18     |
| -       | 7    | 23     | -       | 13   | 35     | -       | 19   | 48     | -       | 27   | 19     |
| -       | 9    | 3      | -       | 13   | 36     | -       | 19   | 49     | -       | 27   | 20     |
| -       | 9    | 4      | -       | 13   | 37     | -       | 19   | 50     | -       | 27   | 21     |
| -       | 9    | 5      | -       | 15   | 1      | -       | 19   | 51     | -       | 27   | 22     |
| -       | 9    | 6      | -       | 15   | 2      | -       | 19   | 52     | -       | 27   | 23     |
| -       | 9    | 7      | -       | 15   | 3      | -       | 19   | 53     | -       | 27   | 24     |
| -       | 9    | 8      | -       | 15   | 4      | -       | 19   | 54     | -       | 27   | 25     |
| -       | 9    | 9      | -       | 15   | 5      | -       | 19   | 55     | -       | 27   | 26     |
| -       | 9    | 10     | -       | 15   | 6      | -       | 19   | 56     | -       | 27   | 27     |
| -       | 9    | 11     | -       | 15   | 7      | -       | 19   | 57     | -       | 27   | 28     |
| -       | 9    | 12     | -       | 15   | 8      | -       | 19   | 58     | -       | 27   | 29     |
| -       | 9    | 13     | -       | 15   | 9      | -       | 19   | 59     | -       | 27   | 30     |
| -       | 9    | 14     | -       | 15   | 10     | -       | 19   | 60     | -       | 27   | 31     |
| -       | 9    | 15     | -       | 15   | 11     | -       | 19   | 61     | -       | 27   | 32     |
| -       | 9    | 16     | -       | 15   | 12     | -       | 19   | 62     | -       | 27   | 33     |
| -       | 9    | 17     | -       | 15   | 13     | -       | 21   | 14     | -       | 27   | 34     |
| -       | 9    | 18     | -       | 15   | 14     | -       | 21   | 15     | -       | 27   | 35     |
| -       | 9    | 19     | -       | 15   | 15     | -       | 21   | 16     | -       | 27   | 36     |
| -       | 9    | 20     | -       | 15   | 16     | -       | 21   | 17     | -       | 27   | 37     |
| -       | 9    | 21     | -       | 15   | 17     | -       | 21   | 18     | -       | 27   | 38     |
| -       | 9    | 22     | -       | 15   | 18     | -       | 21   | 19     | -       | 27   | 39     |
| -       | 9    | 23     | -       | 15   | 19     | -       | 21   | 20     | -       | 27   | 40     |
| -       | 11   | 25     | -       | 15   | 20     | -       | 21   | 21     | -       | 27   | 41     |
| -       | 11   | 26     | -       | 15   | 21     | -       | 21   | 22     | -       | 27   | 42     |
| -       | 11   | 27     | -       | 15   | 22     | -       | 21   | 23     | -       | 27   | 43     |
| -       | 11   | 28     | -       | 15   | 23     | -       | 21   | 24     | -       | 27   | 44     |
| -       | 11   | 29     | -       | 15   | 24     | -       | 21   | 25     | -       | 27   | 45     |
| -       | 11   | 30     | -       | 15   | 25     | -       | 21   | 26     | -       | 27   | 46     |
| -       | 11   | 31     | -       | 15   | 26     | -       | 21   | 27     | -       | 27   | 47     |
| -       | 11   | 32     | -       | 17   | 51     | -       | 21   | 28     | -       | 29   | 11     |
| -       | 11   | 33     | -       | 17   | 52     | -       | 21   | 29     | -       | 29   | 12     |
| -       | 11   | 34     | -       | 17   | 53     | -       | 21   | 30     | -       | 29   | 13     |

NUMERICAL INDEX OF PARTS

| PART NO | PAGE | REF NO | PART NO | PAGE | REF NO | PART NO | PAGE | REF NO | PART NO | PAGE | REF NO |
|---------|------|--------|---------|------|--------|---------|------|--------|---------|------|--------|
| -       | 29   | 14     | -       | 33   | 29     | -       | 37   | 19     | -       | 43   | 8      |
| -       | 29   | 15     | -       | 33   | 30     | -       | 37   | 20     | -       | 43   | 9      |
| -       | 29   | 16     | -       | 33   | 31     | -       | 37   | 21     | -       | 43   | 10     |
| -       | 29   | 17     | -       | 33   | 32     | -       | 37   | 22     | -       | 43   | 11     |
| -       | 29   | 18     | -       | 33   | 33     | -       | 37   | 23     | -       | 43   | 12     |
| -       | 29   | 19     | -       | 33   | 34     | -       | 37   | 24     | -       | 43   | 13     |
| -       | 29   | 20     | -       | 33   | 35     | -       | 37   | 25     | -       | 43   | 14     |
| -       | 29   | 21     | -       | 33   | 36     | -       | 37   | 26     | -       | 43   | 15     |
| -       | 29   | 22     | -       | 33   | 37     | -       | 37   | 27     | -       | 43   | 16     |
| -       | 29   | 23     | -       | 33   | 38     | -       | 37   | 28     | -       | 43   | 17     |
| -       | 29   | 24     | -       | 33   | 39     | -       | 37   | 29     | -       | 43   | 18     |
| -       | 29   | 25     | -       | 33   | 40     | -       | 37   | 30     | -       | 43   | 19     |
| -       | 29   | 26     | -       | 35   | 9      | -       | 37   | 31     | -       | 43   | 20     |
| -       | 29   | 27     | -       | 35   | 10     | -       | 37   | 32     | -       | 43   | 21     |
| -       | 29   | 28     | -       | 35   | 11     | -       | 37   | 33     | -       | 43   | 22     |
| -       | 29   | 29     | -       | 35   | 12     | -       | 37   | 34     | -       | 43   | 23     |
| -       | 29   | 30     | -       | 35   | 13     | -       | 37   | 35     | -       | 43   | 24     |
| -       | 29   | 31     | -       | 35   | 14     | -       | 39   | 8      | -       | 43   | 25     |
| -       | 29   | 32     | -       | 35   | 15     | -       | 39   | 9      | -       | 43   | 26     |
| -       | 29   | 33     | -       | 35   | 16     | -       | 39   | 10     | -       | 43   | 27     |
| -       | 29   | 34     | -       | 35   | 17     | -       | 39   | 11     | -       | 43   | 28     |
| -       | 29   | 35     | -       | 35   | 18     | -       | 39   | 12     | -       | 43   | 29     |
| -       | 29   | 36     | -       | 35   | 19     | -       | 39   | 13     | -       | 43   | 30     |
| -       | 29   | 37     | -       | 35   | 20     | -       | 39   | 14     | -       | 43   | 31     |
| -       | 29   | 38     | -       | 35   | 21     | -       | 39   | 15     | -       | 43   | 32     |
| -       | 29   | 39     | -       | 35   | 22     | -       | 39   | 16     | -       | 43   | 33     |
| -       | 29   | 40     | -       | 35   | 23     | -       | 39   | 17     | -       | 43   | 34     |
| -       | 29   | 41     | -       | 35   | 24     | -       | 39   | 18     | -       | 43   | 35     |
| -       | 29   | 42     | -       | 35   | 25     | -       | 39   | 19     | -       | 43   | 36     |
| -       | 29   | 43     | -       | 35   | 26     | -       | 39   | 20     | -       | 45   | 6      |
| -       | 29   | 44     | -       | 35   | 27     | -       | 39   | 21     | -       | 45   | 7      |
| -       | 29   | 45     | -       | 35   | 28     | -       | 39   | 22     | -       | 45   | 8      |
| -       | 29   | 46     | -       | 35   | 29     | -       | 39   | 23     | -       | 45   | 9      |
| -       | 29   | 47     | -       | 35   | 30     | -       | 39   | 24     | -       | 45   | 10     |
| -       | 29   | 48     | -       | 35   | 31     | -       | 39   | 25     | -       | 45   | 11     |
| -       | 29   | 49     | -       | 35   | 32     | -       | 39   | 26     | -       | 45   | 12     |
| -       | 31   | 12     | -       | 35   | 33     | -       | 39   | 27     | -       | 45   | 13     |
| -       | 31   | 13     | -       | 35   | 34     | -       | 39   | 28     | -       | 45   | 14     |
| -       | 31   | 14     | -       | 35   | 35     | -       | 39   | 29     | -       | 45   | 15     |
| -       | 31   | 15     | -       | 35   | 36     | -       | 39   | 30     | -       | 45   | 16     |
| -       | 31   | 16     | -       | 35   | 37     | -       | 39   | 31     | -       | 45   | 17     |
| -       | 31   | 17     | -       | 35   | 38     | -       | 39   | 32     | -       | 45   | 18     |
| -       | 31   | 18     | -       | 35   | 39     | -       | 39   | 33     | -       | 45   | 19     |
| -       | 31   | 19     | -       | 35   | 40     | -       | 39   | 34     | -       | 46   | 5      |
| -       | 31   | 20     | -       | 35   | 41     | -       | 39   | 35     | -       | 46   | 6      |
| -       | 31   | 21     | -       | 35   | 42     | -       | 41   | 8      | -       | 46   | 7      |
| -       | 31   | 22     | -       | 35   | 43     | -       | 41   | 9      | -       | 47   | 5      |
| -       | 31   | 23     | -       | 35   | 44     | -       | 41   | 10     | -       | 47   | 6      |
| -       | 31   | 24     | -       | 35   | 45     | -       | 41   | 11     | -       | 47   | 7      |
| -       | 31   | 25     | -       | 35   | 46     | -       | 41   | 12     | -       | 47   | 8      |
| -       | 31   | 26     | -       | 35   | 47     | -       | 41   | 13     | -       | 47   | 9      |
| -       | 31   | 27     | -       | 35   | 48     | -       | 41   | 14     | -       | 48   | 15     |
| -       | 31   | 28     | -       | 35   | 49     | -       | 41   | 15     | -       | 48   | 16     |
| -       | 31   | 29     | -       | 35   | 50     | -       | 41   | 16     | -       | 48   | 17     |
| -       | 31   | 30     | -       | 35   | 51     | -       | 41   | 17     | -       | 48   | 18     |
| -       | 31   | 31     | -       | 35   | 52     | -       | 41   | 18     | -       | 48   | 19     |
| -       | 31   | 32     | -       | 35   | 53     | -       | 41   | 19     | -       | 48   | 20     |
| -       | 33   | 11     | -       | 35   | 54     | -       | 41   | 20     | -       | 48   | 21     |
| -       | 33   | 12     | -       | 35   | 55     | -       | 41   | 21     | -       | 48   | 22     |
| -       | 33   | 13     | -       | 35   | 56     | -       | 41   | 22     | -       | 48   | 23     |
| -       | 33   | 14     | -       | 35   | 57     | -       | 41   | 23     | -       | 48   | 24     |
| -       | 33   | 15     | -       | 35   | 58     | -       | 41   | 24     | -       | 48   | 25     |
| -       | 33   | 16     | -       | 35   | 59     | -       | 41   | 25     | -       | 48   | 26     |
| -       | 33   | 17     | -       | 35   | 60     | -       | 41   | 26     | -       | 48   | 27     |
| -       | 33   | 18     | -       | 37   | 8      | -       | 41   | 27     | -       | 48   | 28     |
| -       | 33   | 19     | -       | 37   | 9      | -       | 41   | 28     | -       | 48   | 29     |
| -       | 33   | 20     | -       | 37   | 10     | -       | 41   | 29     | -       | 48   | 30     |
| -       | 33   | 21     | -       | 37   | 11     | -       | 41   | 30     | -       | 49   | 1      |
| -       | 33   | 22     | -       | 37   | 12     | -       | 41   | 31     | -       | 49   | 2      |
| -       | 33   | 23     | -       | 37   | 13     | -       | 41   | 32     | -       | 49   | 3      |
| -       | 33   | 24     | -       | 37   | 14     | -       | 41   | 33     | -       | 49   | 4      |
| -       | 33   | 25     | -       | 37   | 15     | -       | 41   | 34     | -       |      |        |
| -       | 33   | 26     | -       | 37   | 16     | -       | 41   | 35     | *****   | 17   | 33     |
| -       | 33   | 27     | -       | 37   | 17     | -       | 41   | 36     | *****   | 17   | 42     |
| -       | 33   | 28     | -       | 37   | 18     | -       | 41   | 37     | *****   | 17   | 49     |

NUMERICAL INDEX OF PARTS

| PART NO   | PAGE | REF NO | PART NO   | PAGE | REF NO | PART NO   | PAGE | REF NO | PART NO   | PAGE | REF NO |
|-----------|------|--------|-----------|------|--------|-----------|------|--------|-----------|------|--------|
| *****     | 19   | 15     | 700-00274 | 33   | 5      | 700-00500 | 3    | 67     | 700-00609 | 5    | 21     |
| *****     | 29   | 2      | 700-00276 | 27   | 9      | 700-00500 | 3    | 72     | 700-00609 | 5    | 36     |
| *****     | 29   | 4      | 700-00282 | 27   | 12     | 700-00500 | 5    | 14     | 700-00609 | 5    | 51     |
| *****     | 29   | 5      | 700-00304 | 3    | 13     | 700-00500 | 5    | 29     | 700-00626 | 17   | 23     |
| *****     | 33   | 8      | 700-00304 | 3    | 27     | 700-00500 | 5    | 44     | 700-00627 | 17   | 24     |
| *****     | 33   | 9      | 700-00304 | 3    | 41     | 700-00500 | 5    | 59     | 700-00652 | 17   | 26     |
|           |      |        | 700-00304 | 3    | 56     | 700-00501 | 19   | 9      | 700-00660 | 11   | 19     |
| 700-00131 | 11   | 18     | 700-00304 | 3    | 70     | 700-00505 | 3    | 10     | 700-00673 | 33   | 6      |
| 700-00146 | 35   | 6      | 700-00305 | 33   | 1      | 700-00505 | 3    | 24     | 700-00675 | 35   | 1      |
| 700-00150 | 29   | 8      | 700-00312 | 35   | 3      | 700-00505 | 3    | 38     | 700-00697 | 23   | 1      |
| 700-00151 | 29   | 7      | 700-00335 | 17   | 37     | 700-00505 | 3    | 53     | 700-00702 | 11   | 1      |
| 700-00152 | 29   | 9      | 700-00336 | 17   | 35     | 700-00505 | 3    | 68     | 700-00706 | 46   | 2      |
| 700-00160 | 35   | 4      | 700-00338 | 45   | 2      | 700-00505 | 5    | 4      | 700-00722 | 11   | 21     |
| 700-00162 | 27   | 11     | 700-00344 | 27   | 5      | 700-00505 | 5    | 19     | 700-00723 | 11   | 5      |
| 700-00163 | 17   | 8      | 700-00345 | 27   | 7      | 700-00505 | 5    | 34     | 700-00724 | 11   | 6      |
| 700-00164 | 17   | 3      | 700-00347 | 31   | 6      | 700-00505 | 5    | 49     | 700-00725 | 11   | 3      |
| 700-00165 | 17   | 5      | 700-00349 | 27   | 4      | 700-00505 | 17   | 28     | 700-00727 | 11   | 4      |
| 700-00166 | 17   | 16     | 700-00351 | 23   | 7      | 700-00505 | 21   | 12     | 700-00731 | 29   | 1      |
| 700-00167 | 17   | 20     | 700-00366 | 11   | 23     | 700-00506 | 11   | 7      | 700-00735 | 3    | 12     |
| 700-00168 | 17   | 21     | 700-00372 | 27   | 3      | 700-00506 | 21   | 8      | 700-00735 | 3    | 26     |
| 700-00169 | 17   | 17     | 700-00380 | 21   | 2      | 700-00508 | 23   | 4      | 700-00735 | 3    | 40     |
| 700-00170 | 17   | 12     | 700-00380 | 23   | 6      | 700-00509 | 29   | 3      | 700-00735 | 3    | 55     |
| 700-00171 | 17   | 15     | 700-00387 | 25   | 11     | 700-00510 | 31   | 7      | 700-00735 | 3    | 69     |
| 700-00173 | 17   | 1      | 700-00389 | 25   | 3      | 700-00511 | 21   | 6      | 700-00735 | 5    | 12     |
| 700-00174 | 17   | 10     | 700-00390 | 25   | 4      | 700-00512 | 27   | 6      | 700-00735 | 5    | 27     |
| 700-00175 | 21   | 4      | 700-00391 | 25   | 2      | 700-00513 | 17   | 9      | 700-00735 | 5    | 42     |
| 700-00176 | 33   | 7      | 700-00392 | 25   | 7      | 700-00513 | 17   | 22     | 700-00735 | 5    | 57     |
| 700-00180 | 37   | 1      | 700-00393 | 25   | 9      | 700-00515 | 19   | 20     | 700-00740 | 27   | 15     |
| 700-00180 | 39   | 1      | 700-00394 | 25   | 8      | 700-00516 | 17   | 34     | 700-00742 | 11   | 9      |
| 700-00180 | 41   | 1      | 700-00395 | 25   | 6      | 700-00517 | 31   | 10     | 700-00744 | 11   | 13     |
| 700-00180 | 43   | 1      | 700-00398 | 25   | 1      | 700-00518 | 19   | 10     | 700-00746 | 11   | 10     |
| 700-00181 | 37   | 2      | 700-00399 | 31   | 8      | 700-00520 | 35   | 2      | 700-00747 | 11   | 20     |
| 700-00181 | 39   | 2      | 700-00400 | 31   | 9      | 700-00522 | 19   | 17     | 700-00748 | 19   | 5      |
| 700-00181 | 41   | 2      | 700-00405 | 21   | 10     | 700-00525 | 21   | 9      | 700-00751 | 21   | 5      |
| 700-00181 | 43   | 2      | 700-00406 | 21   | 1      | 700-00525 | 23   | 9      | 700-00758 | 47   | 1      |
| 700-00195 | 19   | 12     | 700-00419 | 5    | 5      | 700-00531 | 21   | 3      | 700-00759 | 47   | 2      |
| 700-00196 | 19   | 13     | 700-00419 | 5    | 20     | 700-00531 | 23   | 8      | 700-00790 | 3    | 1      |
| 700-00197 | 19   | 7      | 700-00419 | 5    | 35     | 700-00533 | 35   | 7      | 700-00791 | 3    | 15     |
| 700-00198 | 19   | 8      | 700-00419 | 5    | 50     | 700-00537 | 5    | 10     | 700-00792 | 3    | 29     |
| 700-00199 | 21   | 7      | 700-00420 | 5    | 9      | 700-00537 | 5    | 25     | 700-00793 | 3    | 58     |
| 700-00200 | 19   | 11     | 700-00420 | 5    | 39     | 700-00537 | 5    | 40     | 700-00794 | 5    | 1      |
| 700-00203 | 17   | 48     | 700-00444 | 46   | 1      | 700-00537 | 5    | 55     | 700-00795 | 5    | 16     |
| 700-00204 | 17   | 45     | 700-00450 | 27   | 8      | 700-00538 | 3    | 14     | 700-00796 | 5    | 31     |
| 700-00210 | 17   | 29     | 700-00452 | 25   | 5      | 700-00538 | 3    | 28     | 700-00797 | 5    | 46     |
| 700-00211 | 17   | 43     | 700-00469 | 17   | 39     | 700-00538 | 3    | 42     | 700-00812 | 19   | 14     |
| 700-00212 | 17   | 46     | 700-00473 | 23   | 3      | 700-00538 | 3    | 57     | 700-00819 | 3    | 44     |
| 700-00213 | 17   | 47     | 700-00474 | 23   | 5      | 700-00538 | 3    | 71     | 700-00820 | 11   | 12     |
| 700-00214 | 17   | 41     | 700-00475 | 23   | 2      | 700-00538 | 5    | 13     | 700-00822 | 17   | 6      |
| 700-00215 | 37   | 6      | 700-00480 | 5    | 3      | 700-00538 | 5    | 28     | 700-00823 | 17   | 13     |
| 700-00215 | 39   | 6      | 700-00480 | 5    | 18     | 700-00538 | 5    | 43     | 700-00824 | 17   | 30     |
| 700-00215 | 41   | 6      | 700-00480 | 5    | 33     | 700-00538 | 5    | 58     | 700-00825 | 17   | 31     |
| 700-00215 | 43   | 6      | 700-00480 | 5    | 48     | 700-00549 | 17   | 7      | 700-00826 | 17   | 32     |
| 700-00216 | 37   | 5      | 700-00481 | 11   | 11     | 700-00551 | 11   | 22     | 700-00827 | 17   | 40     |
| 700-00216 | 39   | 5      | 700-00484 | 45   | 4      | 700-00555 | 17   | 19     | 700-00832 | 17   | 2      |
| 700-00216 | 41   | 5      | 700-00489 | 9    | 1      | 700-00559 | 17   | 14     | 700-00833 | 17   | 11     |
| 700-00216 | 43   | 5      | 700-00495 | 27   | 2      | 700-00568 | 27   | 14     | 700-00835 | 19   | 19     |
| 700-00217 | 37   | 4      | 700-00496 | 3    | 66     | 700-00569 | 11   | 14     | 700-00836 | 19   | 2      |
| 700-00217 | 39   | 4      | 700-00496 | 5    | 8      | 700-00570 | 11   | 15     | 700-00837 | 19   | 3      |
| 700-00217 | 41   | 4      | 700-00496 | 5    | 23     | 700-00571 | 25   | 10     | 700-00838 | 21   | 11     |
| 700-00217 | 43   | 4      | 700-00496 | 5    | 38     | 700-00572 | 17   | 27     | 700-00843 | 31   | 4      |
| 700-00218 | 37   | 3      | 700-00496 | 5    | 53     | 700-00572 | 29   | 6      | 700-00847 | 48   | 5      |
| 700-00218 | 39   | 3      | 700-00497 | 17   | 36     | 700-00573 | 11   | 16     | 700-00848 | 48   | 7      |
| 700-00218 | 41   | 3      | 700-00497 | 17   | 38     | 700-00577 | 11   | 17     | 700-00849 | 48   | 6      |
| 700-00218 | 43   | 3      | 700-00498 | 17   | 4      | 700-00597 | 11   | 8      | 700-00850 | 48   | 9      |
| 700-00222 | 11   | 2      | 700-00498 | 17   | 18     | 700-00598 | 17   | 25     | 700-00851 | 17   | 44     |
| 700-00229 | 31   | 5      | 700-00498 | 19   | 4      | 700-00601 | 27   | 1      | 700-00852 | 48   | 12     |
| 700-00230 | 31   | 2      | 700-00499 | 5    | 11     | 700-00602 | 27   | 13     | 700-00853 | 48   | 11     |
| 700-00234 | 31   | 3      | 700-00499 | 5    | 26     | 700-00604 | 33   | 2      | 700-00854 | 45   | 3      |
| 700-00235 | 31   | 1      | 700-00499 | 5    | 41     | 700-00605 | 33   | 4      | 700-00855 | 3    | 3      |
| 700-00244 | 19   | 16     | 700-00499 | 5    | 56     | 700-00606 | 5    | 15     | 700-00856 | 3    | 60     |
| 700-00245 | 19   | 1      | 700-00500 | 3    | 9      | 700-00606 | 5    | 30     | 700-00857 | 3    | 17     |
| 700-00252 | 19   | 18     | 700-00500 | 3    | 23     | 700-00606 | 5    | 45     | 700-00859 | 3    | 5      |
| 700-00265 | 45   | 1      | 700-00500 | 3    | 37     | 700-00606 | 5    | 60     | 700-00859 | 3    | 19     |
| 700-00268 | 19   | 6      | 700-00500 | 3    | 43     | 700-00607 | 33   | 3      | 700-00859 | 3    | 33     |
| 700-00273 | 35   | 5      | 700-00500 | 3    | 52     | 700-00609 | 5    | 6      | 700-00859 | 3    | 48     |

NUMERICAL INDEX OF PARTS

| PART NO   | PAGE | REF NO | PART NO | PAGE | REF NO | PART NO | PAGE | REF NO | PART NO | PAGE | REF NO |
|-----------|------|--------|---------|------|--------|---------|------|--------|---------|------|--------|
| 700-00859 | 3    | 61     |         |      |        |         |      |        |         |      |        |
| 700-00860 | 3    | 6      |         |      |        |         |      |        |         |      |        |
| 700-00860 | 3    | 20     |         |      |        |         |      |        |         |      |        |
| 700-00860 | 3    | 34     |         |      |        |         |      |        |         |      |        |
| 700-00860 | 3    | 49     |         |      |        |         |      |        |         |      |        |
| 700-00860 | 3    | 62     |         |      |        |         |      |        |         |      |        |
| 700-00861 | 3    | 7      |         |      |        |         |      |        |         |      |        |
| 700-00861 | 3    | 21     |         |      |        |         |      |        |         |      |        |
| 700-00861 | 3    | 35     |         |      |        |         |      |        |         |      |        |
| 700-00861 | 3    | 50     |         |      |        |         |      |        |         |      |        |
| 700-00862 | 3    | 4      |         |      |        |         |      |        |         |      |        |
| 700-00862 | 3    | 18     |         |      |        |         |      |        |         |      |        |
| 700-00862 | 3    | 32     |         |      |        |         |      |        |         |      |        |
| 700-00862 | 3    | 47     |         |      |        |         |      |        |         |      |        |
| 700-00863 | 5    | 24     |         |      |        |         |      |        |         |      |        |
| 700-00863 | 5    | 54     |         |      |        |         |      |        |         |      |        |
| 700-00864 | 3    | 64     |         |      |        |         |      |        |         |      |        |
| 700-00865 | 48   | 1      |         |      |        |         |      |        |         |      |        |
| 700-00866 | 47   | 3      |         |      |        |         |      |        |         |      |        |
| 700-00867 | 48   | 2      |         |      |        |         |      |        |         |      |        |
| 700-00868 | 3    | 2      |         |      |        |         |      |        |         |      |        |
| 700-00868 | 3    | 45     |         |      |        |         |      |        |         |      |        |
| 700-00869 | 3    | 16     |         |      |        |         |      |        |         |      |        |
| 700-00869 | 3    | 30     |         |      |        |         |      |        |         |      |        |
| 700-00870 | 5    | 32     |         |      |        |         |      |        |         |      |        |
| 700-00871 | 5    | 37     |         |      |        |         |      |        |         |      |        |
| 700-00872 | 3    | 59     |         |      |        |         |      |        |         |      |        |
| 700-00873 | 5    | 47     |         |      |        |         |      |        |         |      |        |
| 700-00874 | 5    | 22     |         |      |        |         |      |        |         |      |        |
| 700-00874 | 5    | 52     |         |      |        |         |      |        |         |      |        |
| 700-00875 | 5    | 2      |         |      |        |         |      |        |         |      |        |
| 700-00876 | 5    | 7      |         |      |        |         |      |        |         |      |        |
| 700-00877 | 3    | 11     |         |      |        |         |      |        |         |      |        |
| 700-00877 | 3    | 25     |         |      |        |         |      |        |         |      |        |
| 700-00877 | 3    | 39     |         |      |        |         |      |        |         |      |        |
| 700-00877 | 3    | 54     |         |      |        |         |      |        |         |      |        |
| 700-00879 | 3    | 8      |         |      |        |         |      |        |         |      |        |
| 700-00879 | 3    | 22     |         |      |        |         |      |        |         |      |        |
| 700-00879 | 3    | 36     |         |      |        |         |      |        |         |      |        |
| 700-00879 | 3    | 51     |         |      |        |         |      |        |         |      |        |
| 700-00880 | 3    | 65     |         |      |        |         |      |        |         |      |        |
| 700-00881 | 3    | 63     |         |      |        |         |      |        |         |      |        |
| 700-00882 | 3    | 31     |         |      |        |         |      |        |         |      |        |
| 700-00883 | 27   | 10     |         |      |        |         |      |        |         |      |        |
| 700-00884 | 46   | 3      |         |      |        |         |      |        |         |      |        |
| 700-00885 | 48   | 8      |         |      |        |         |      |        |         |      |        |
| 700-00886 | 48   | 10     |         |      |        |         |      |        |         |      |        |
| 700-00887 | 48   | 3      |         |      |        |         |      |        |         |      |        |
| 700-00888 | 48   | 4      |         |      |        |         |      |        |         |      |        |
| 700-00889 | 48   | 13     |         |      |        |         |      |        |         |      |        |
| 700-00890 | 5    | 17     |         |      |        |         |      |        |         |      |        |
| 700-00891 | 3    | 46     |         |      |        |         |      |        |         |      |        |

www.college-sewing.co.uk

**JUKI®**

**JUKI CORPORATION**

SEWING MACHINERY BUSINESS UNIT  
2-11-1, TSURUMAKI, TAMA-SHI,  
TOKYO, 206-8551, JAPAN  
PHONE:(81)42-357-2371  
FAX:(81)42-357-2380

Copyright© 2011 JUKI CORPORATION  
All rights reserved throughout the world.

To order or for further information, please contact:

\*The description covered in this parts list is subject to change for improvement of the commodity without notice.  
\*This parts list is edited in accordance with the product specifications as of September 2011.