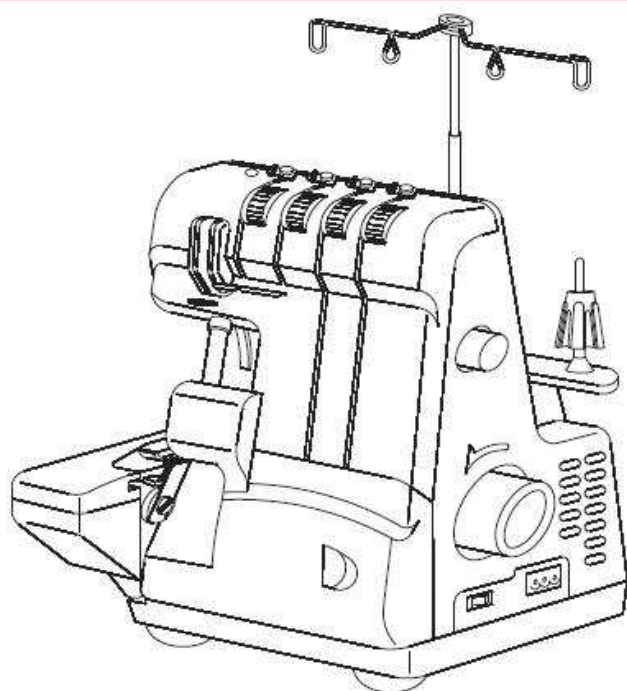


Parts List

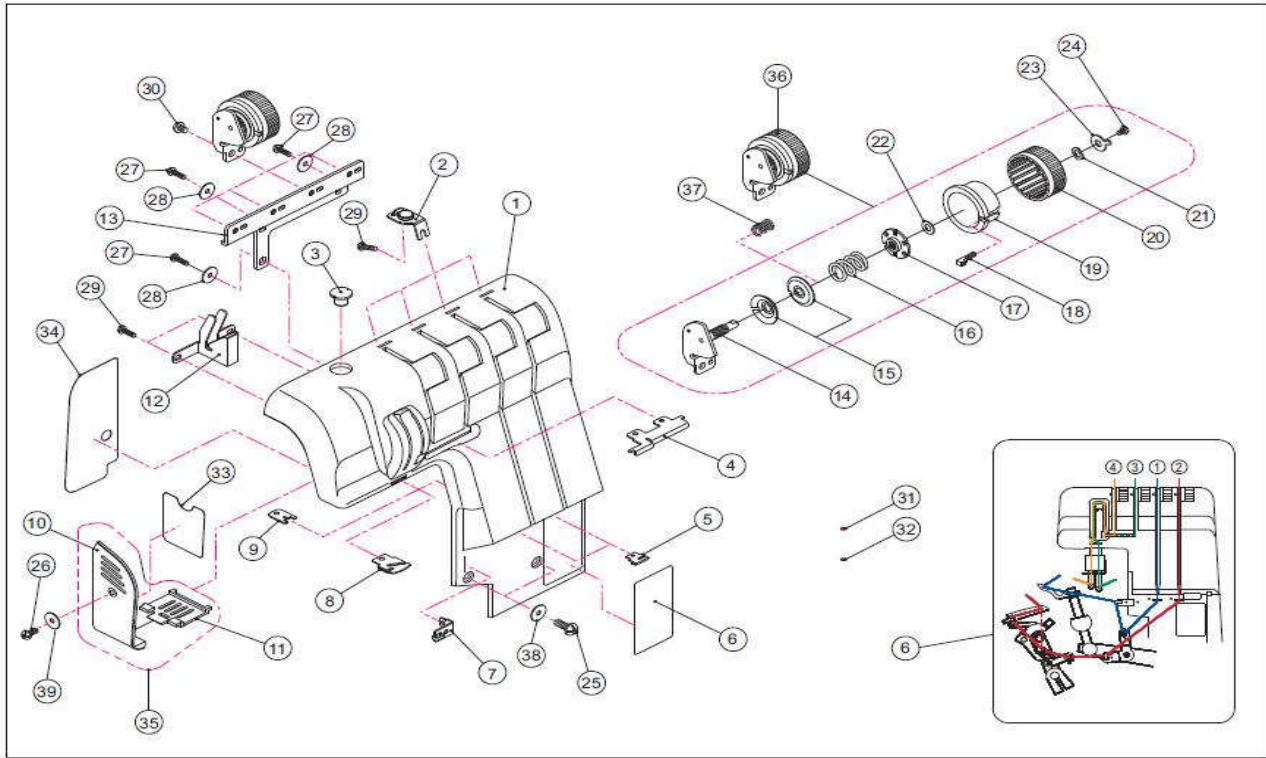
MO-50e/51e

代理店専用
Sales subsidiary Exclusive use

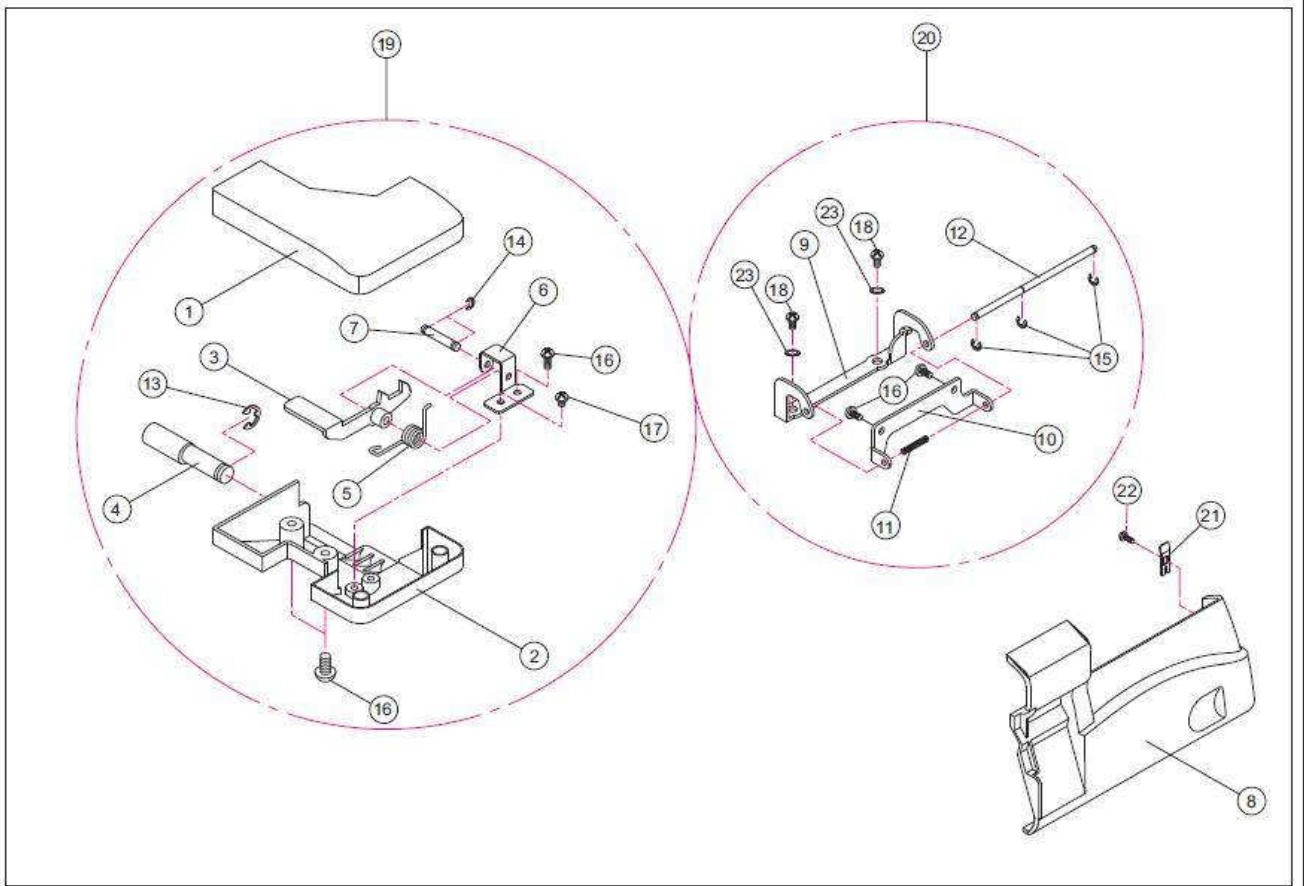


JUKI

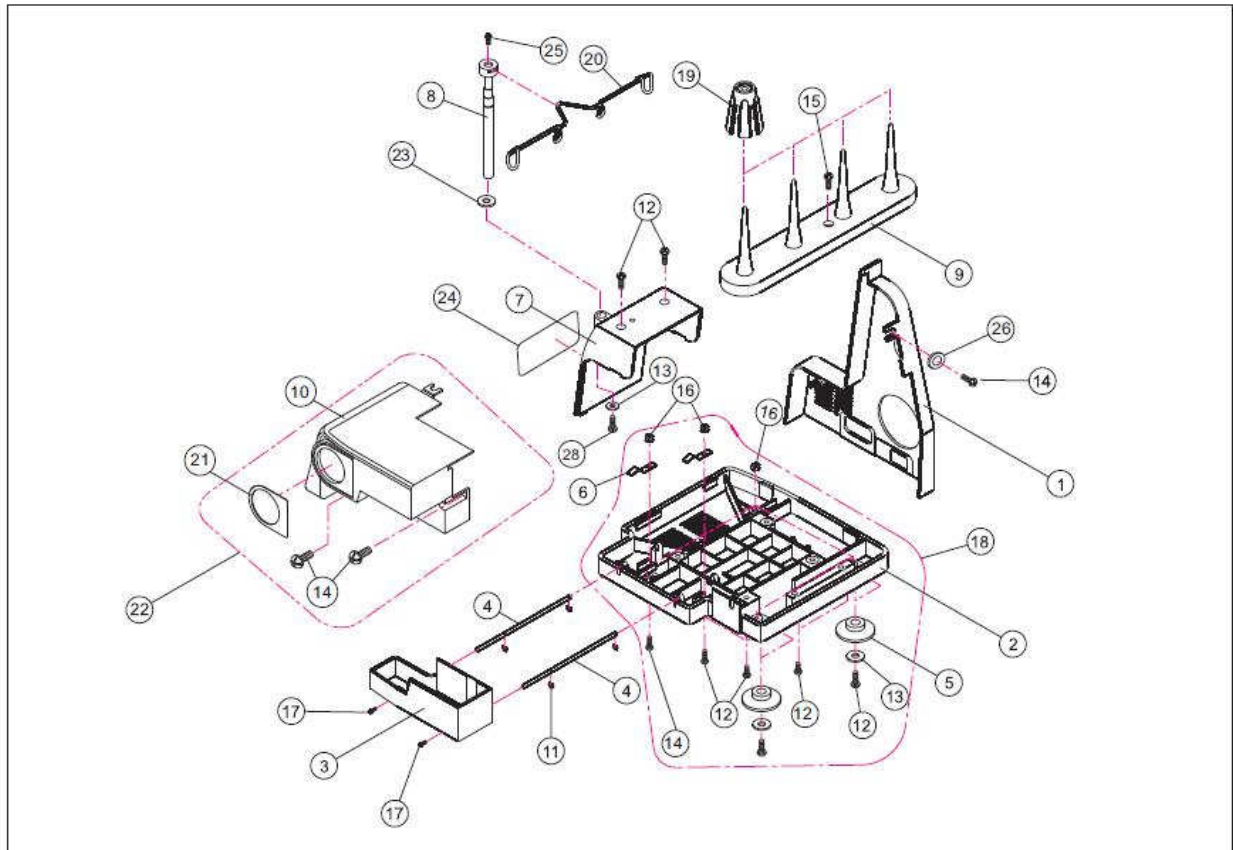
MO-50e, 51e Parts List



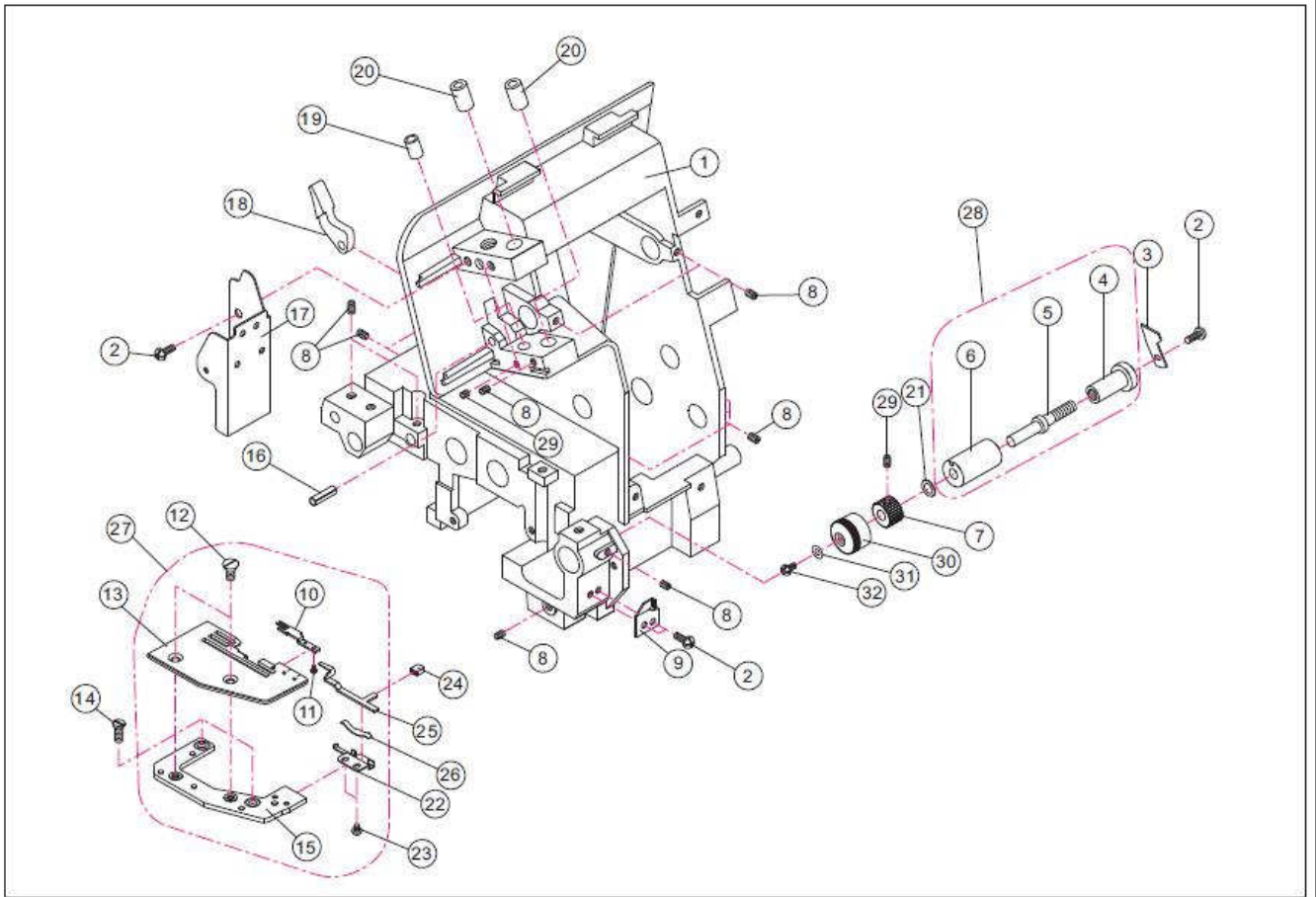
PART NO	PAGE No	DESCRIPTION (E)	50e	51e
	1	1 Front cover (MO-51e)		○
	1	1 Front cover (MO-50e)	○	
40131019	1	2 Thread guide (A)		
40131020	1	3 Regulate cover		
	1	4 Thread guide (B)		
	1	5 Thread guide (F)		
	1	6 Thread guide sticker		
	1	7 Thread guide (E)		
	1	8 Thread guide (C)		
	1	9 Thread guide (D)		
	1	10 Bulb cover		
	1	10 Bulb cover		
	1	11 Bulb shielding plate		
	1	12 Thread take-up cover		
	1	13 Tension dial holder		
	1	14 Tension dial holder set		
	1	15 Tension disc		
	1	16 Tension spring (lower looper)		
	1	16 Tension spring (right needle, left needle)		
	1	16 Tension spring (upper looper)		
	1	17 Tension regulate nut		
	1	18 Tension regulate pin (red)		
	1	18 Tension regulate pin (green)		
	1	18 Tension regulate pin (blue)		
	1	18 Tension regulate pin (yellow)		
	1	19 Tension regulate disc (red)		
	1	19 Tension regulate disc (green)		
	1	19 Tension regulate disc (blue)		
	1	19 Tension regulate disc (yellow)		
	1	20 Tension dial (2, 3, 4 red)		
	1	20 Tension dial (2, 3, 4 green)		
	1	20 Tension dial (2, 3, 4 blue)		
	1	20 Tension dial (2, 3, 4 yellow)		
	1	21 Wave washer		
	1	22 Washer		
	1	23 Tension dial setting plate		
	1	24 Set screw		
	1	25 Set screw		
	1	26 Set screw		
	1	27 Set screw		
	1	28 Washer		
	1	29 Set screw		
	1	30 Set screw		
	1	31 Color sticker (red)		
	1	32 Color sticker (blue)		
	1	33 Lamp cover heatout plate		
	1	34 Front cover heatout plate		
	1	35 Bulb cover complete set		
	1	36 Tension dial set (lower looper)		
	1	36 Tension dial set (upper looper)		
	1	36 Tension dial set (right needle)		
	1	36 Tension dial set (left needle)		
	1	37 Tension spring		
	1	38 Washer		
	1	39 Washer		
	1	40 Front cover set		
	1	41 Thread guide (E) set (No.7,32 included)		
	1	42 Front cover tension dial set (No.13,30,38 included)		



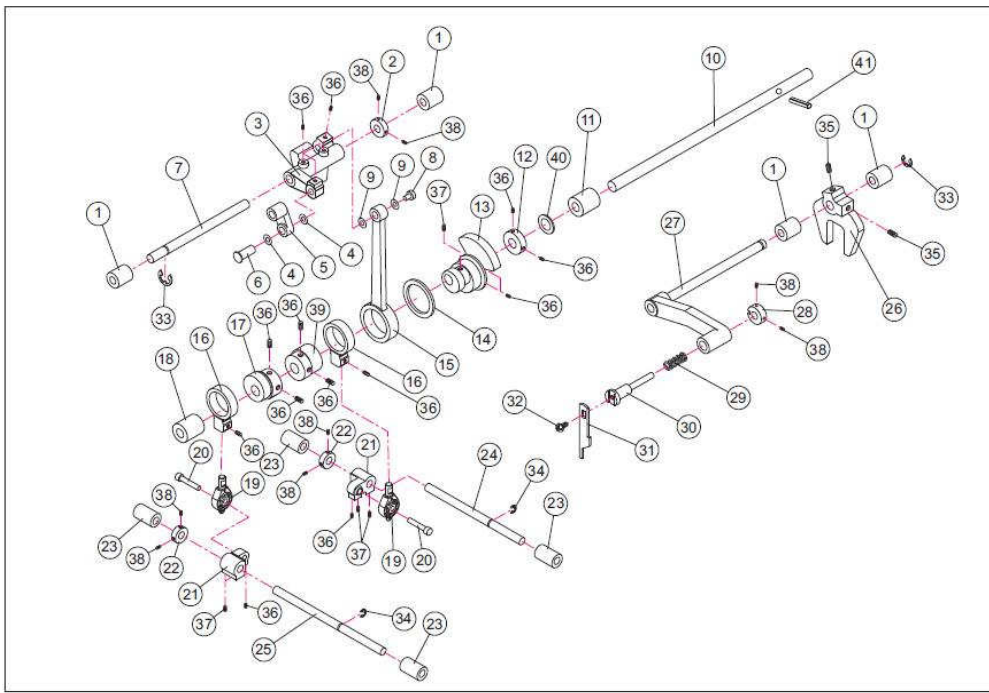
PART NO	PAGE	No	DESCRIPTION (E)	50e	51e
2	1	1	Sewing table cover		
2	2	2	Sewing table base		
2	3	3	Sewing table opening lever		
2	4	4	Sewing table shaft		
2	5	5	Opening lever spring		
2	6	6	Opening lever holder		
2	7	7	Opening lever shaft		
2	8	8	Looper cover (50e)	○	
2	8	8	Looper cover (51e)		○
2	9	9	Looper cover hinge (A)		
2	10	10	Looper cover hinge (B)		
2	11	11	Looper cover hinge spring		
2	12	12	Looper cover hinge shaft		
2	13	13	E ring		
2	14	14	E ring		
2	15	15	E ring		
2	16	16	Set screw		
2	17	17	Set screw		
2	18	18	Set screw		
2	19	19	Sewing table complete set		
2	20	20	Looper cover hinge set		
2	21	21	Looper cover setting plate		
2	22	22	Set screw		
2	23	23	Washer		
2	24	24	Looper cover set (No.8 included)		



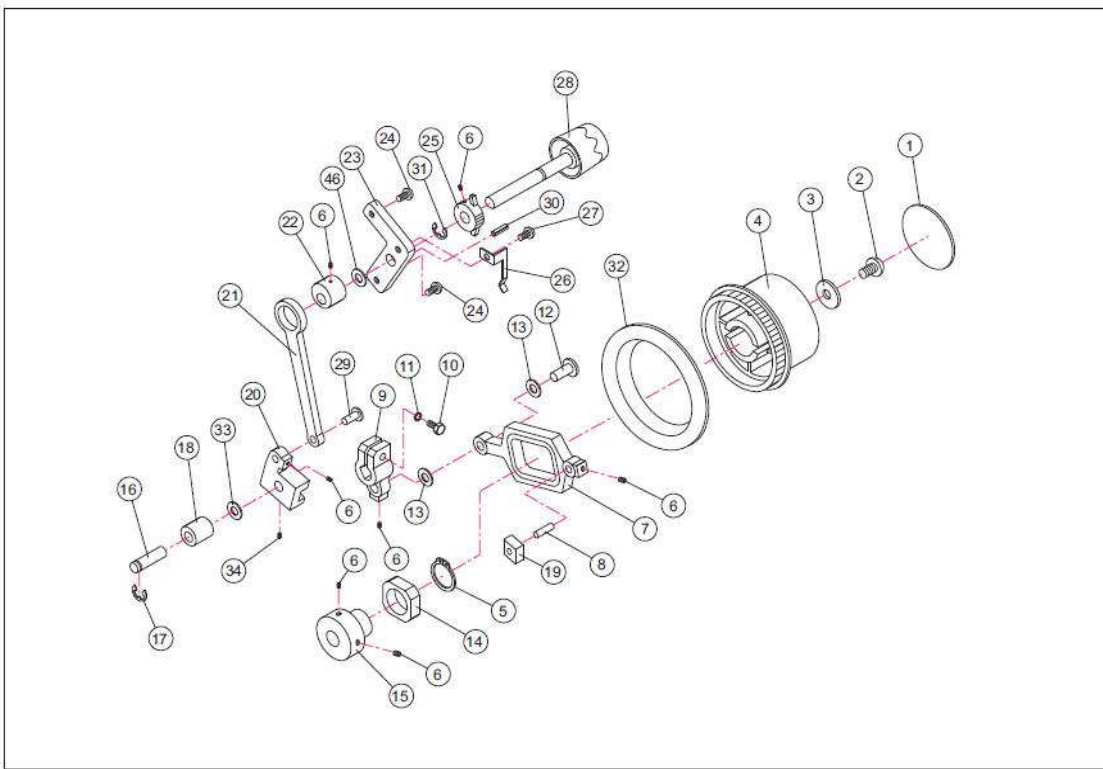
PART NO	PAGE	No	DESCRIPTION (E)	50e	51e
	3	1	Side cover		
	3	2	Base plate		
	3	3	Accessory box		
	3	4	Accessory box slide shaft		
	3	5	Rubber		
	3	6	Accessory box setting spring		
	3	7	Motor cover		
40131114	3	8	Extension bar set		
	3	9	Spool stand		
	3	10	Extension table(D.F.type)		
	3	11	E Ring		
	3	12	Set screw		
	3	13	Washer		
	3	14	Set screw		
	3	15	Set screw		
	3	16	Nut		
	3	17	Set screw		
	3	18	Base plate complete set		
	3	19	Cone holder		
40131129	3	20	Thread guide bar		
	3	21	D.F. decorate plate		
	3	22	Extension table complete set(DE Type)		
	3	23	Washer		
	3	24	Warning label		
	3	25	Set screw		
	3	26	Washer		
	3	27	Extension bar set(No.7.8.13.14.20.25.27 included)		
	3	28	Set screw		



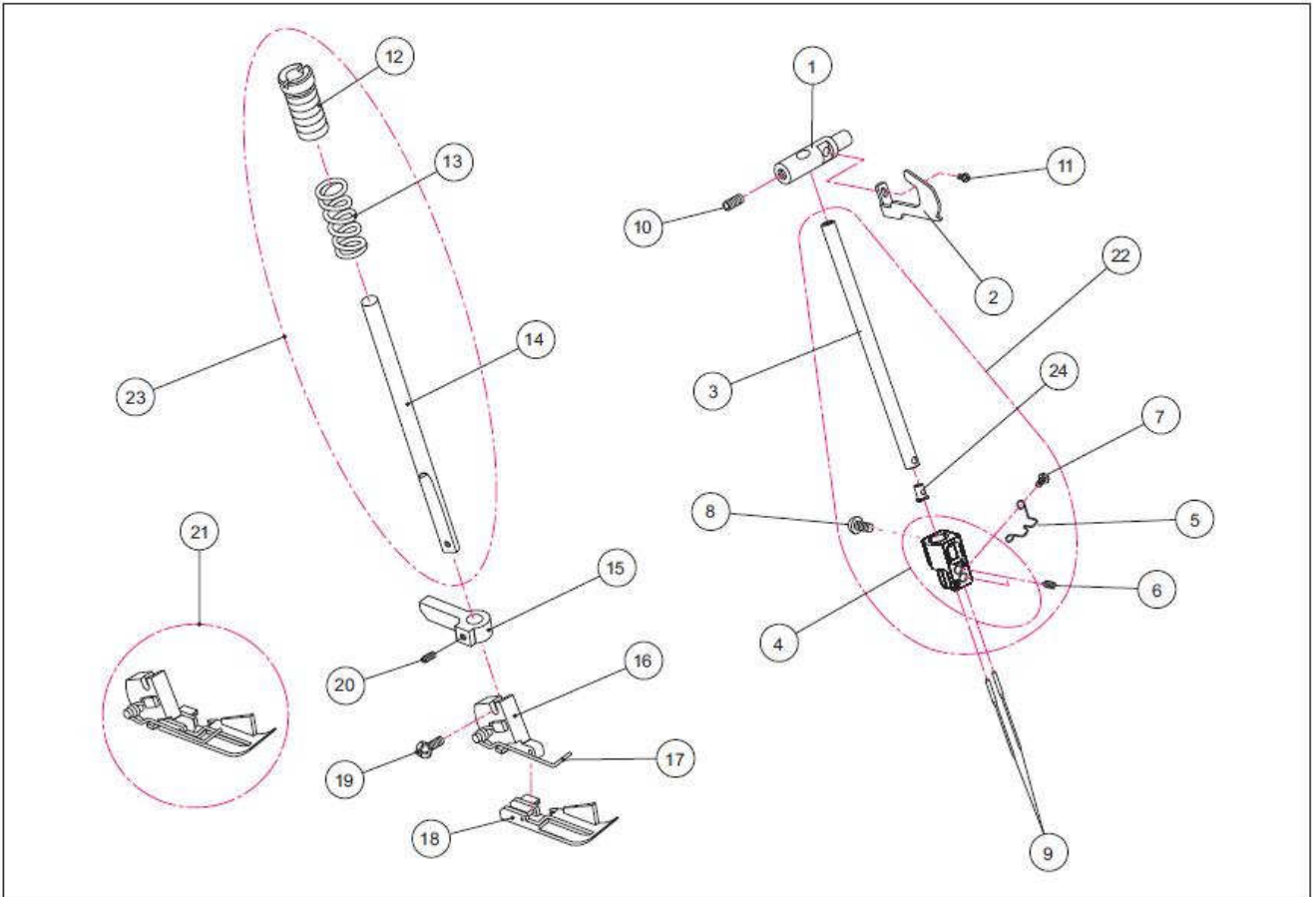
PART NO	PAGE	No	DESCRIPTION(E)	50e	51e
	4	1	Machine Frame		
	4	2	Set screw		
40131141	4	3	Lower knife		
	4	4	Lower knife holder		
	4	5	Cutting width knob shaft		
	4	6	Lower knife holder bushing		
	4	7	Cutting width knob		
	4	8	Set screw		
	4	9	Opening lever stopper		
40131148	4	10	Fixed lever		
40131149	4	11	Set screw		
40131150	4	12	Set screw		
40131151	4	13	Stitch plate		
	4	14	Set screw		
	4	15	Stitch plate holder		
	4	16	Spring pin		
	4	17	Bulb holder		
	4	18	Presser foot lifter		
	4	19	Presser bar bushing		
40131158	4	20	Needle bar bushing		
	4	21	Wave washer		
	4	22	Moving lever holder		
	4	23	Set screw		
	4	24	Moving lever cover		
40131163	4	25	Moving lever		
	4	26	Locating spring		
40131165	4	27	Stitch plate set		
	4	28	Lower knife holder set(No.4.5.6 included)		
	4	29	Set screw		
	4	30	Cutting width knob		
	4	31	Washer		
	4	32	Set screw		
	4	33	Cutting width knob set(No.7.8 included)		



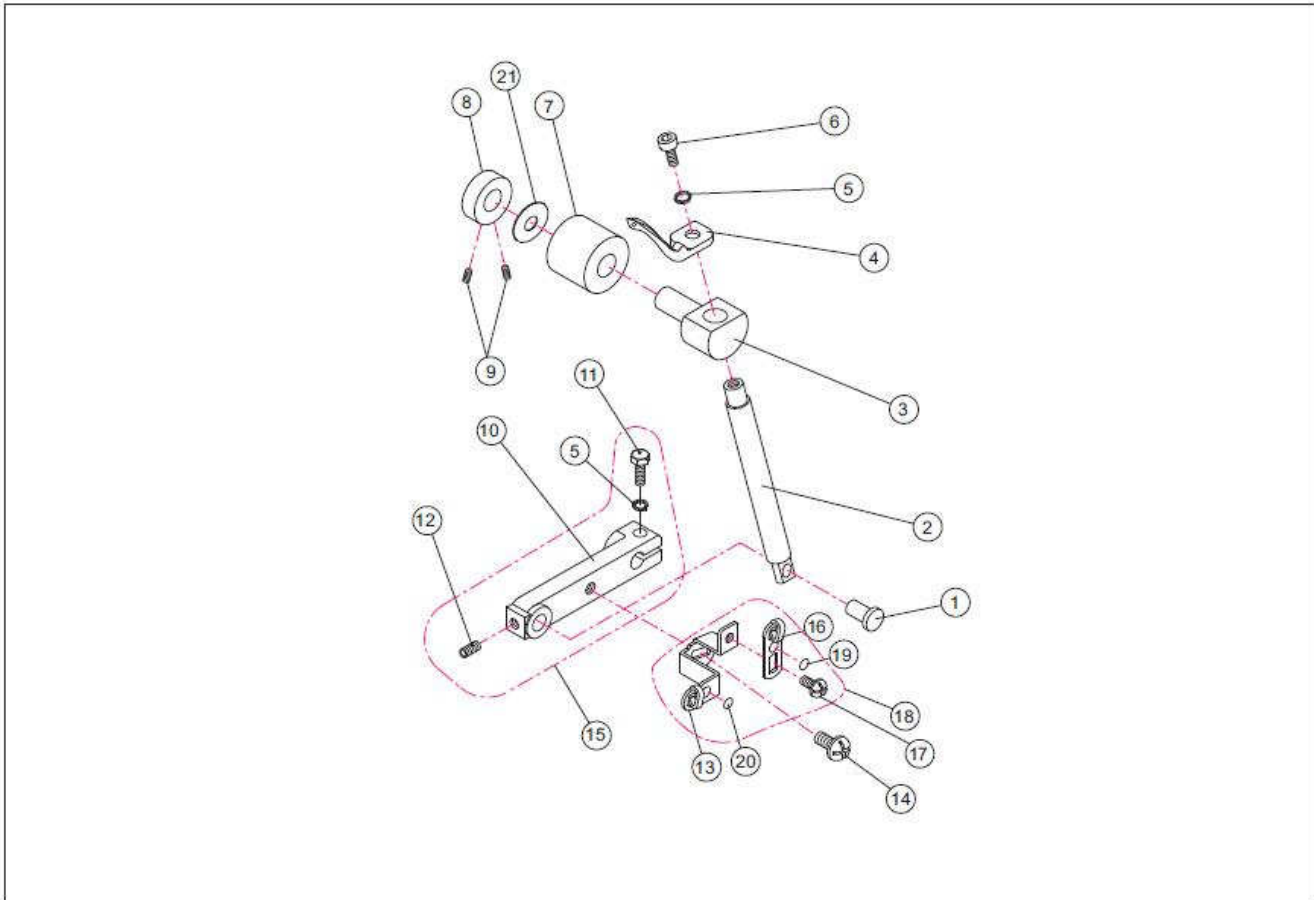
PART NO	PAGE	No	DESCRIPTION(E)	50e	51e
	5	1	Upper knife arm shaft bushing		
	5	2	Setting collar		
	5	3	Needle bar crank		
	5	4	Washer		
	5	5	Needle bar link		
	5	6	Needle bar link pin		
	5	7	Needle bar link shaft		
	5	8	Needle bar drive link pin		
	5	9	Washer		
	5	10	Main shaft set		
	5	11	Main shaft bushing (A)		
	5	12	Setting collar		
40131185	5	13	Needle bar cam		
	5	14	Washer		
40131187	5	15	Needle bar drive link		
40131188	5	16	Looper link		
40131189	5	17	Looper cam (B)		
	5	18	Main shaft bushing (B)		
40131191	5	19	Bearing		
	5	20	Looper shaft link pin		
	5	21	Looper shaft link		
	5	22	Setting collar		
40131195	5	23	Looper shaft bushing		
40131196	5	24	Upper looper shaft		
40131197	5	25	Lower looper shaft		
40131198	5	26	Fork		
	5	27	Upper knife arm set		
	5	28	Upper knife holder collar		
	5	29	Upper knife spring		
	5	30	Upper knife holder		
40131204	5	31	Upper knife		
	5	32	Set screw		
	5	33	E ring		
	5	34	E ring		
	5	35	Set screw		
	5	36	Set screw		
	5	37	Set screw		
	5	38	Set screw		
40131212	5	39	Looper cam (A)		
	5	40	Washer		
	5	41	Spring pin		
	5	42	Needle bar crank set (No.3,36 included)		
	5	43	Needle bar cam set (No.13,36,37 included)		
	5	44	Setting collar set (No.12,36 included)		
	5	45	Setting collar set (No.12,38 included)		
	5	46	Looper shaft link set (No.21,36,37 included)		
	5	47	Fork set (No.26,35 included)		
	5	48	Setting collar set (No.22,38 included)		
	5	49	Upper knife holder collar set (No.28,38 included)		
	5	50	Looper cam (B) set (No.16,36 included)		
	5	51	Looper cam set (No.17,36 included)		
	5	52	Upper knife set (No.30,31,32 included)		
	5	53	Looper cam set (No.36,39 included)		
	5	54	Main shaft set (No.10,42 included)		
	5	55	Needle bar link set (No.4,5,6,42 included)		



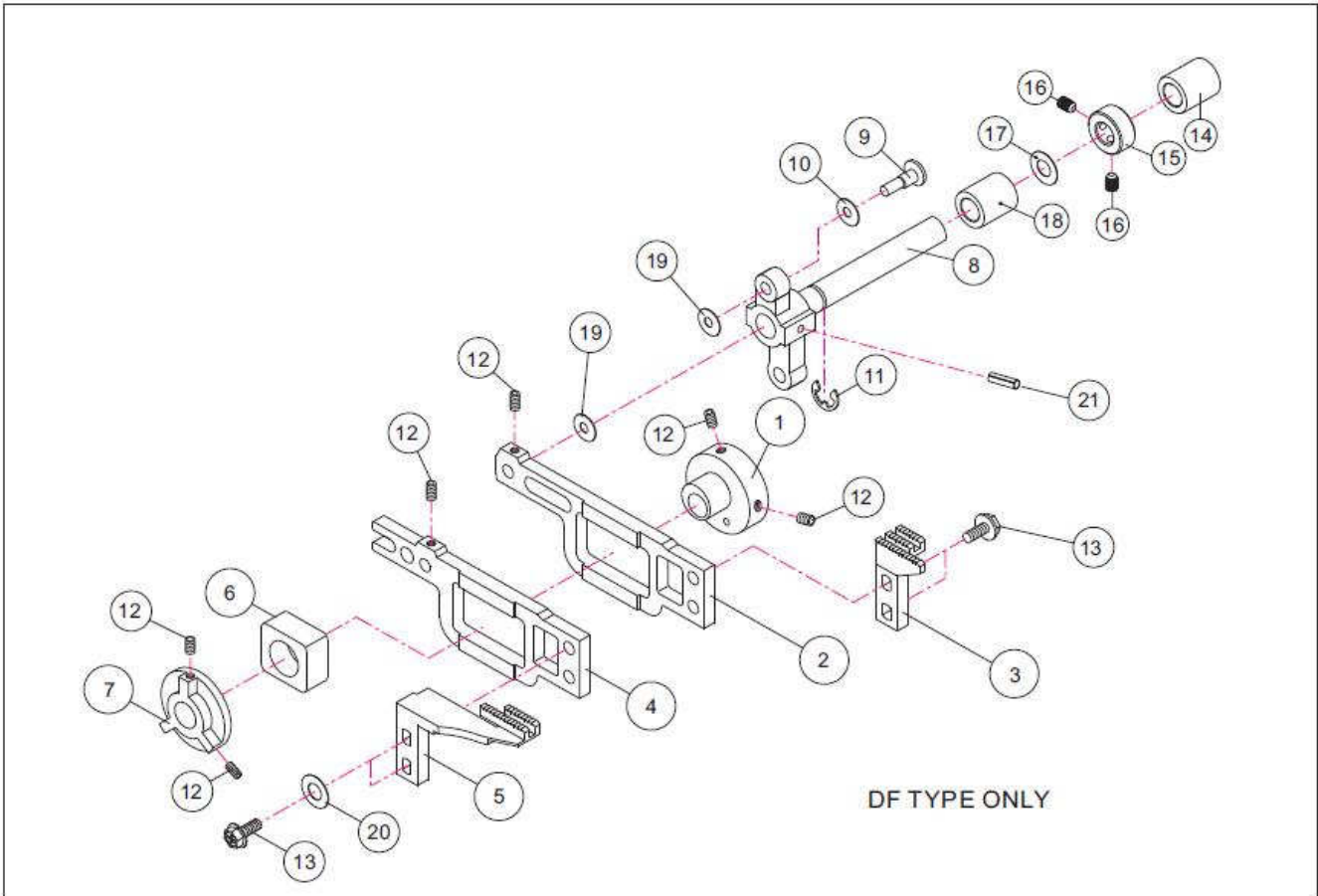
PART NO	PAGE	No	DESCRIPTION(E)	50e	51e
	6	1	Handwheel decorate plate		
	6	2	Set screw		
	6	3	Washer		
	6	4	Handwheel		
	6	5	C Ring		
	6	6	Set screw		
40131237	6	7	Feed drive link		
	6	8	Feed drive link pin (A)		
	6	9	Feed link		
	6	10	Set screw		
	6	11	Spring washer		
	6	12	Feed drive link pin (B)		
	6	13	Washer		
40131244	6	14	Feed cam slide block		
40131245	6	15	Feed cam		
	6	16	Feed regulate holder shaft		
	6	17	E Ring		
	6	18	Feed regulate holder bushing		
	6	19	Feed slide block		
	6	20	Feed slide holder		
40131251	6	21	Feed regulate link		
	6	22	Feed regulate cam		
	6	23	Feed regulate holder		
	6	24	Set screw		
	6	25	Feed regulate collar		
	6	26	Locating spring		
	6	27	Set screw		
	6	28	Stitch length dial		
	6	29	Feed regulate link pin		
	6	30	Spring pin		
	6	31	E Ring		
	6	32	Handwheel setting collar		
	6	33	Washer		
	6	34	Set Screw		
	6	35	Feed cam set (No.6.15 included)		
	6	36	Feed regulate collar set (No.6.25 included)		
	6	37	Feed regulate cam set (No.6.22 included)		
	6	38	Feed slide holder set (No.6.20.34 included)		
	6	39	Feed drive link set (No.6.7 included)		
	6	40	Feed link set (No.6.9.10.11 included)		
	6	41	Handwheel set (No.4.32 included)		
	6	42	Feed drive link pin set (No.12.13 included)		
	6	43	Feed regulate set (No.21.29 included)		
	6	44	Feed regulate holder set		
	6	45	Stitch length dial set (No.28.31 included)		
	6	46	Washer		
	6	47	Feed regulate holder set		



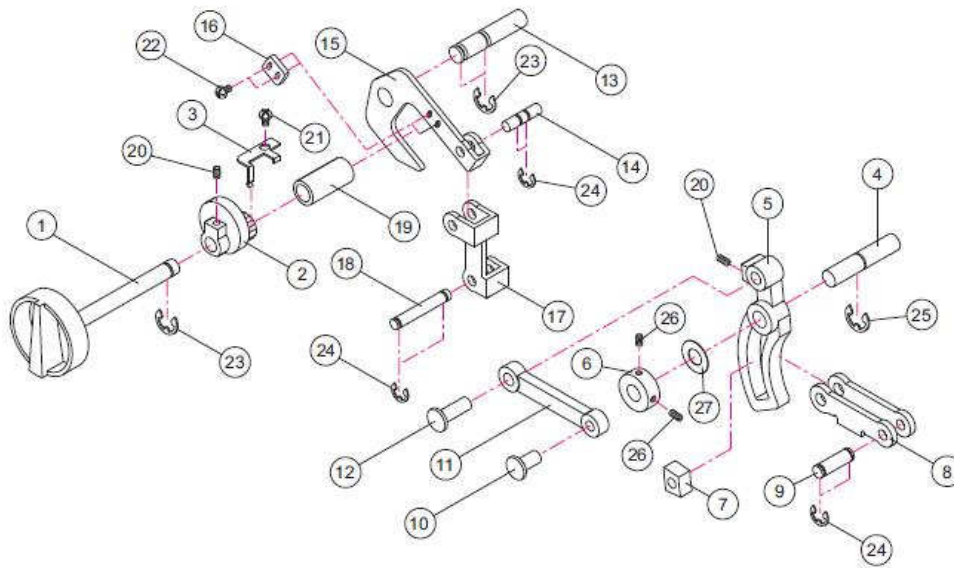
PART NO	PAGE	No	DESCRIPTION(E)
40131280	7	1	Needle bar setting link
	7	2	Needle bar thread take-up lever
40131282	7	3	Needle bar
40131283	7	4	Needle clamp
	7	5	Needle clamp thread guide
40131285	7	6	Set screw
	7	7	Set screw
	7	8	Set screw
	7	9	Needle(Standard packing)
	7	10	Set screw
	7	11	Set screw
	7	12	Presser bar regulate screw
	7	13	Presser bar spring
	7	14	Presser bar
	7	15	Presser bar setting link
40131300	7	16	Presser foot holder
	7	17	Presser foot spring
40131302	7	18	Presser foot
	7	19	Set screw
	7	20	Set screw
40133596	7	21	Presser foot complete set
	7	22	Needle bar complete set(needles excluded)
	7	23	Presser bar set(12.13.14 included)
	7	24	Needle Clamp Nut



PART NO	PAGE	No	DESCRIPTION (E)
40131309	8	1	Slide shaft pin
40131310	8	2	Slide shaft
40131311	8	3	Slide shaft holder
40131312	8	4	upper looper
	8	5	Spring washer
	8	6	Set screw
	8	7	Slide shaft holder bushing
	8	8	Setting collar
	8	9	Set screw
	8	10	Upper looper connecting arm
	8	11	Set screw
	8	12	Set screw
	8	13	Lower looper thread take-up lever
	8	14	Set screw
	8	15	Upper looper connecting arm set
	8	16	Upper looper thread take-up lever
	8	17	Set screw
	8	18	Lower looper thread take-up lever Complete set
	8	19	Color sticker(blue)
	8	20	Color sticker(red)
	8	21	Washer
	8	22	Setting collar set (No.8.9 included)
	8	23	Upper looper connecting arm set
	8	24	Slide shaft holder (No.4.7.21.22 included)

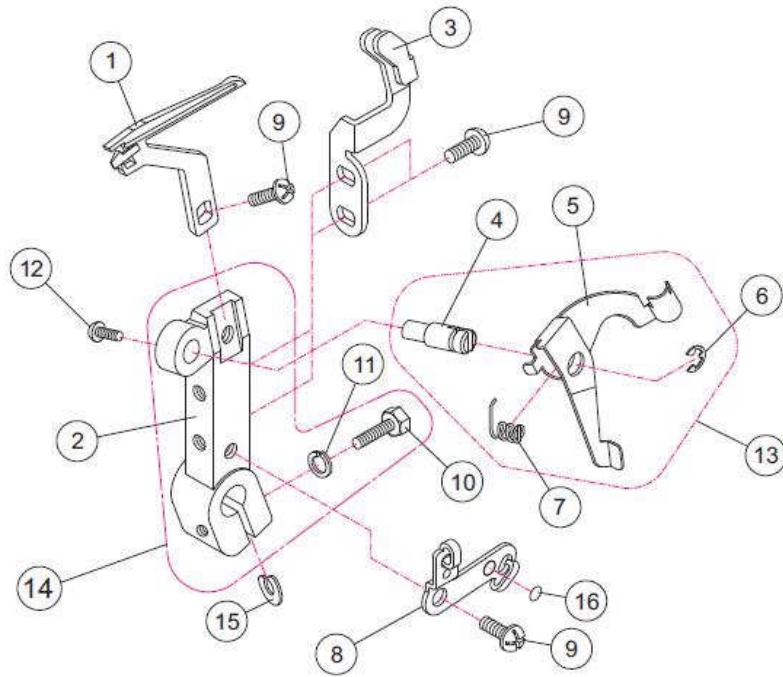


PART NO	PAGE	No	DESCRIPTION (E)
40131333	9	1	Feed dog cam
40131334	9	2	Feed dog holder
40131335	9	3	Feed dog (rear)
40131336	9	4	Feed dog supporter (front)
40131337	9	5	Feed dog (front)
40131338	9	6	Feed dog supporter slide block
	9	7	Setting collar
	9	8	Feed dog shake rod complete set
	9	9	Feed dog holder pin
	9	10	Washer
	9	11	E ring
	9	12	Set screw
	9	13	Set screw
	9	14	Main shaft bushing (B)
	9	15	Setting collar
	9	16	Set screw
	9	17	Washer
	9	18	Main shaft bushing (A)
	9	19	Washer
	9	20	Washer
	9	21	Spring pin
	9	22	Feed dog cam set (No.1.12 included)
	9	23	Feed dog supporter (front) set
	9	24	Setting collar set (No.15.16 included)
	9	25	Setting collar set (No.7.12 included)
	9	26	Feed dog holder (No2.12 included)



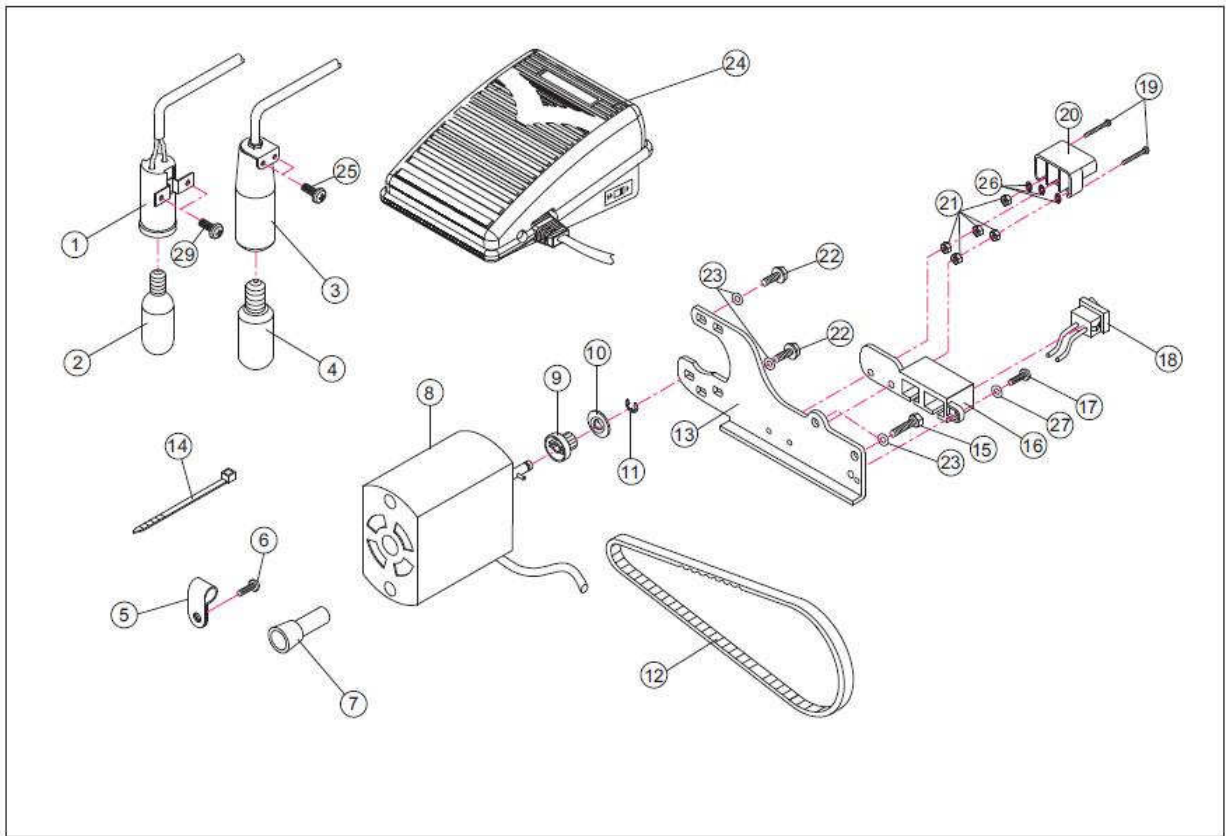
DF TYPE ONLY

PART NO	PAGE	No	DESCRIPTION (E)
	10	1	Differential feed dial
	10	1	Differential feed dial
	10	2	D.F. regulate cam
	10	3	D.F. setting spring
	10	4	D.F. slide holder shaft
	10	5	D.F. slide holder
	10	6	Setting collar
	10	7	D.F. slide block
	10	8	D.F. link
	10	9	D.F. link pin (A)
	10	10	Feed regulate link pin
	10	11	Feed dog supporter link
	10	12	Feed drive link pin (B)
	10	13	D.F. regulate holder shaft
	10	14	D.F. regulate link pin
	10	15	D.F. regulate holder
	10	16	Setting plate
	10	17	D.F. regulate link
	10	18	D.F. link pin (B)
	10	19	D.F. dial bushing
	10	20	Set screw
	10	21	Set screw
	10	22	Set screw
	10	23	E ring
	10	24	E ring
	10	25	E ring
	10	26	Set screw
	10	27	Washer
	10	28	D.F. slide holder set (No.5.20 included)
	10	29	D.F. regulate cam set (No.2.20 included)
	10	30	D.F. dial shaft

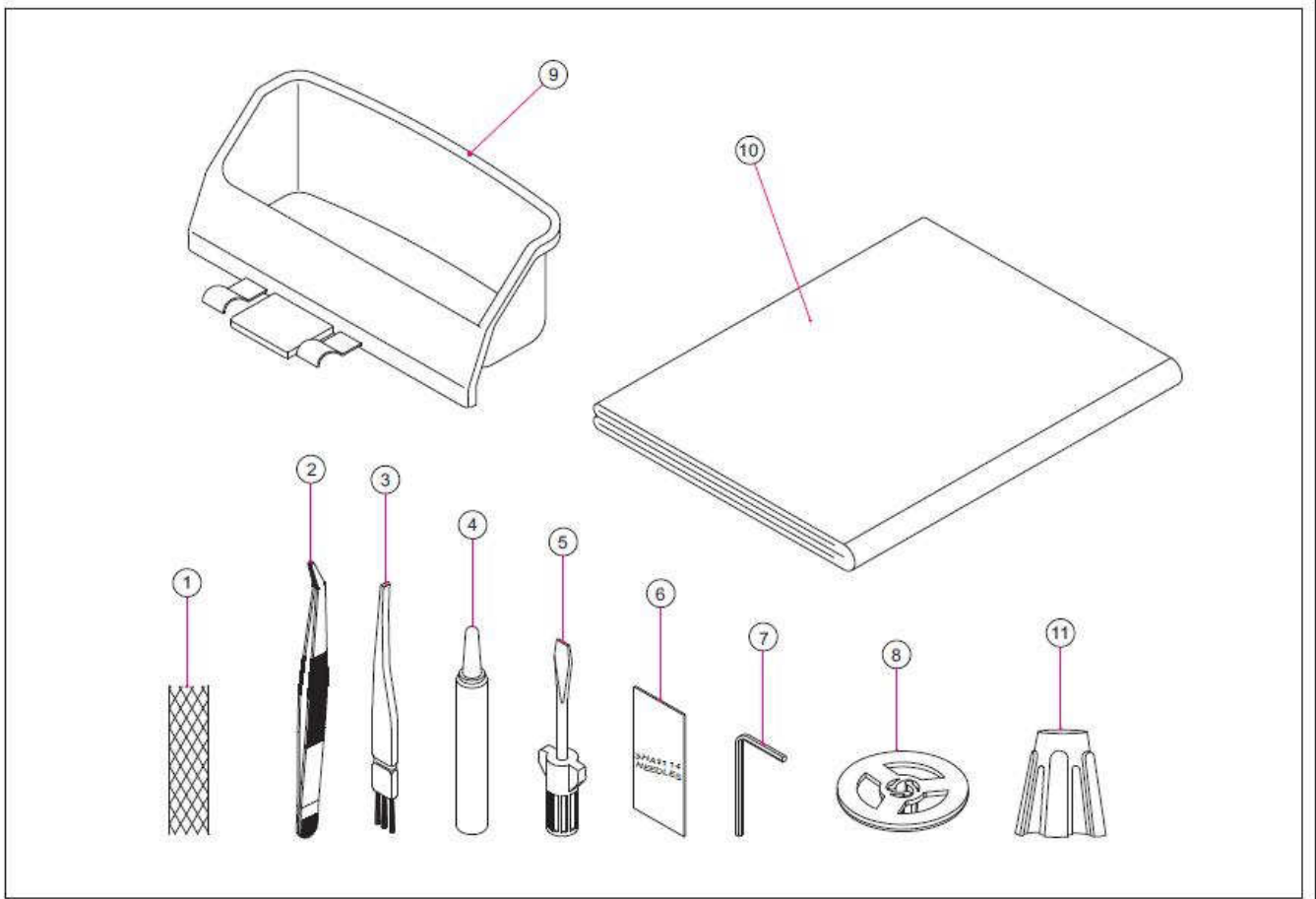


LOWER LOOPER AUTO THREADER TYPE ONLY

PART NO	PAGE	No	DESCRIPTION(E)
40131390	11	1	Lower looper (B)
	11	2	Lower looper supporter (B)
40131392	11	3	Needle guard
	11	4	Auto threader shaft
	11	5	Auto threader
	11	6	E Ring
	11	7	Auto threader spring
	11	8	Lower looper thread guide
	11	9	Set screw
	11	10	Set screw
	11	11	Spring washer
	11	12	Set screw
	11	13	Auto threader set
40133598	11	14	Lower looper supporter set (B)
	11	15	Washer
	11	16	Color sticker(red)
	11	17	Lower looper thread guide set (No.7,8 included)
	11	18	Lower looper supporter set (B) (No.9,14 included)



PART NO	PAGE	No	DESCRIPTION (E)	50e	51e
	12	1	Lighting set (120v)	UL	UL
40131411	12	2	Bulb (120v)	UL	UL
	12	3	Lighting set (240v)(Available for 220v/230v/240v)	CE/CE2/CE3/CH/BS	CE/CE2/BS
40131413	12	4	Bulb (240v)(Available for 220v/230v/240v)	CE/CE2/CE3/CH/BS	CE/CE2/BS
	12	5	HW (1/4) Cord clip		
	12	6	Set screw		
	12	7	C4 End terminal		
40131418	12	8	Motor (115v)	UL	UL
40131419	12	8	Motor (220v~230v)	CE/CE2/CE3/CH/BS	CE/CE2/BS
40131421	12	9	Timing belt pulley		
	12	10	Timing belt pulley cover		
	12	11	E Ring		
40131424	12	12	Timing belt		
	12	13	Motor supporter		
	12	14	Cord clip		
	12	15	Set screw		
	12	16	Swith supporter		
	12	17	Set screw		
40131430	12	18	Switch		
	12	19	Set screw		
	12	20	Machine socket		
	12	21	Nut		
	12	22	Set screw		
	12	23	Washer		
40131437	12	24	Foot controller (120v) U.S.A.	UL	UL
40131441	12	24	Foot controller (220v) the Middle East		
40131442	12	24	Foot controller (230v) Europe	CE/CE3/CH/CE4	CE/CE4
40131443	12	24	Foot controller (240v) U.K.	BS/CE2	BS/CE2
40131444	12	24	Foot controller (240v) Australia &New Zealand		
	12	25	Set screw		
	12	26	Washer		
	12	27	Washer		
	12	28	Timing belt pulley set (No.9.10 included)		
	12	29	Motor supporter set (No.13.16.17.31 included)		



PART NO	PAGE No	DESCRIPTION (E)	50e	51e
	13	1 Net		
40131451	13	2 Tweezers		
	13	3 Cleaning brush		
	13	4 Oiler		
	13	5 Screw driver		
	13	6 Needle x 3 (Spare parts)		
	13	6 Needle x 3 (Standard packing)		
	13	6 Needle x 3 (Spare parts)		
40131461	13	7 Hexagon wrench		
	13	8 Spool caps		
	13	9 Chip box		
	13	10 Dust cover		
	13	11 Cone holder		
		Instruction manual 4 languages	UL CE	UL
		Instruction manual 6 languages	BS CE3	BS CE
		Instruction manual Saudi	CE2	CE2
		Instruction manual China	CH	