

MODEL : MF-7700

List No : 1376-04

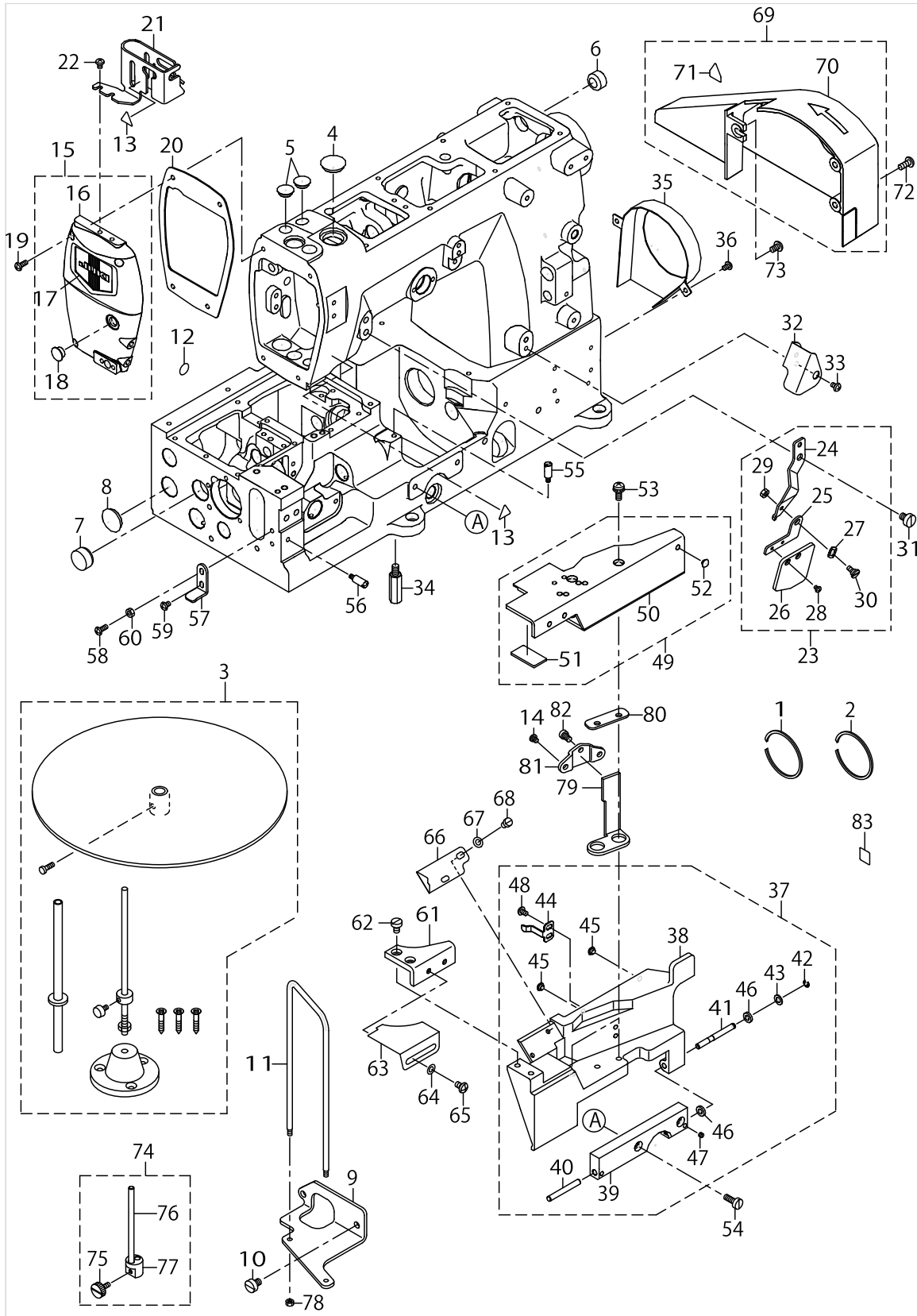
PARTS LIST

Published:09/10/2017

CONTENTS

FRAME & MISCELLANEOUS COVER COMPONENTS (1)	1
FRAME & MISCELLANEOUS COVER COMPONENTS (2)	5
MAIN SHAFT COMPONENTS	9
NEEDLE BAR & PRESSER COMPONENTS.....	13
FEED DRIVE COMPONENTS (1)	17
FEED DRIVE COMPONENTS (2)	21
THREAD TAKE-UP LEVER COMPONENTS.....	25
SPREADER COMPONENTS.....	29
LOWER THREAD CAM COMPONENTS.....	31
NEEDLE GUARD COMPONENTS.....	35
LOOPER COMPONENTS	37
THREAD TENSION COMPONENTS	39
LUBRICATION COMPONENTS	41
THREAD STAND COMPONENTS.....	45
GAUGE PARTS COMPONENTS (1) (FOR MF-7700-U10).....	47
GAUGE PARTS COMPONENTS (2) (FOR MF-7700-C10).....	51
NEEDLE COOLING MECHANISM COMPONENTS.....	55
ACCESSORIES PARTS COMPONENTS	57
LIST FOR INFORMATION OF CHANGE (1).....	59
LIST FOR INFORMATION OF CHANGE (2).....	60
HOW TO MAKE USE OF THIS PARTS LIST	61

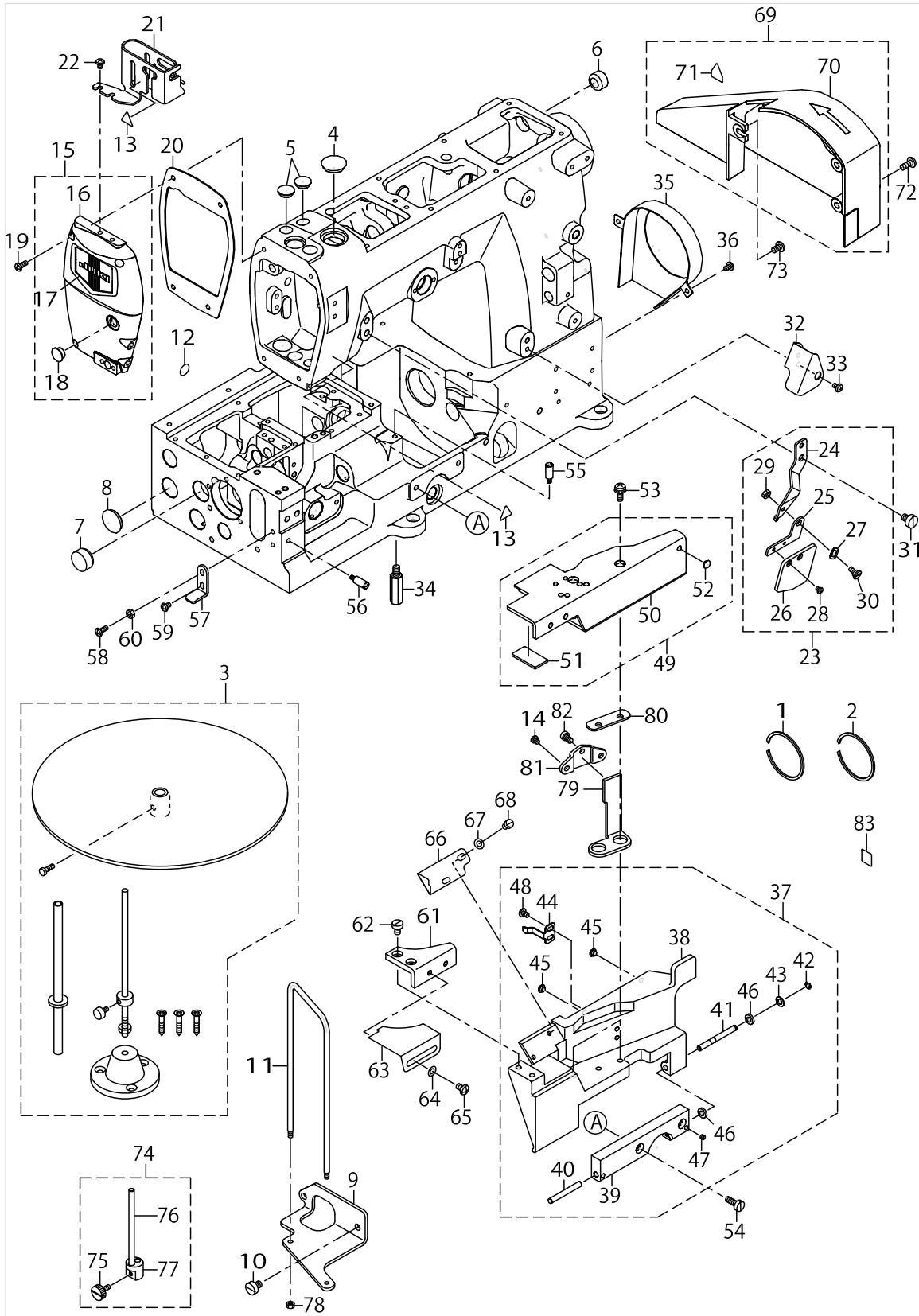
FRAME & MISCELLANEOUS COVER COMPONENTS (1)



FRAME & MISCELLANEOUS COVER COMPONENTS (1)

No.	Parts No.	Parts name	Remarks	Level	Cons	Qty
1	RC4881514KP	C-RING				1
2	RC4381514KP	C-RING				1
3	40062154	TAPE_REEL_ASSEMBLY				1
4	TA2050406R0	RUBBER PLUG				1
5	TA1250406R0	RUBBER PLUG D=12.5 L=4				2
6	TA1701002R0	RUBBER PLUG				1
7	TA2101002R0	RUBBER PLUG				1
8	TA2050416R0	RUBBER PLUG				1
9	13365002	BASE	FOR MF-7700-C10			1
10	SM6060800SP	SCREW M6 L=8	FOR MF-7700-C10			2
11	13365101	GUIDE	FOR MF-7700-C10			1
12	22901805	GROUND MARK				1
13	CM300200001	ATTENTION SEAL				2
14	SS7110510SP	SCREW 11/64-40 L=5	FOR MF-7700-C10			2
15	13300959	ASSY HEAD COVER				1
16	13300900	HEAD COVER		*		1
17	22902506	FACE PLATE		*		1
18	TA1050504R0	RUBBER PLUG		*		1
19	SM4041055SP	SCREW				4
20	13301007	GASKET H				1
21	13301304	NEEDLE BAR GUARD				1
22	SM4040655SP	SCREW M4 L=6				2
23	40033518	PROTECTION_SHIELD_ASSY				1
24	40033340	BRACKET_HOLDER		*		1
25	40033341	BRACKET		*		1
26	13301700	PROTECTION SHIELD		*		1
27	WZ0641510KP	WAVED WASHER 6.4X11X0.3		*		1
28	SM4030455SN	SCREW		*		2
29	NM6040001SP	NUT M4X0.7		*		1
30	SD0640246SP	HINGE SCREW D=6.35 H=2.4		*		1
31	SM6060800SP	SCREW M6 L=8				1
32	13301403	THREAD COVER				1
33	SM4040655SP	SCREW M4 L=6				1
34	13301809	SUPPORT STUD				4
35	13302401	LMS_FAN_COVER				1
36	SM4040655SP	SCREW M4 L=6				2
37	13303359	SWING_DOWN_COVER_ASSY				1
38	13303300	SWING DOWN COVER		*		1
39	13303508	HINGE		*		1
40	PH0500400C0	PARALLEL PIN		*		1
41	13305206	PIN_FOR_S_D_COVER		*		1
42	RE0300000K0	E-RING 3		*		1
43	WP0550800SP	WASHER 5.5X10X0.8		*		1
44	13304308	LATCH SPRING		*		1
45	13302302	RUBBER BUMPER		*		2
46	13302708	RUBBER_WASHER		*		2
47	SM8040360TP	SCREW		*		2

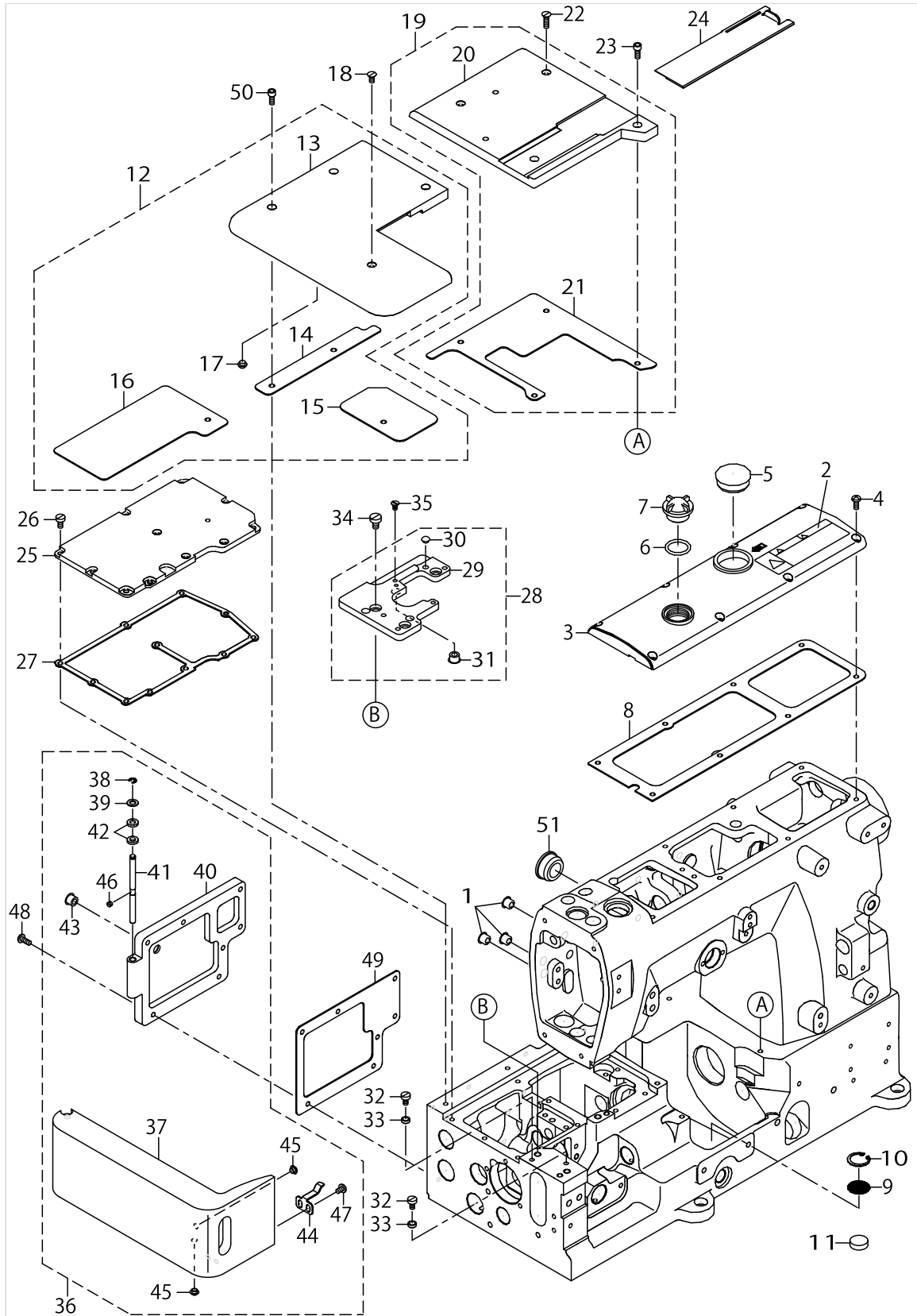
FRAME & MISCELLANEOUS COVER COMPONENTS (1)



FRAME & MISCELLANEOUS COVER COMPONENTS (1)

No.	Parts No.	Parts name	Remarks	Level	Cons	Qty
48	SM4040655SP	SCREW M4 L=6		*		2
49	13303458	ASSY_BRACKET	FOR MF-7700-U10			1
50	13303409	BRACKET		*		1
51	13305305	RUBBER_BOARD		*		1
52	13302302	RUBBER BUMPER		*		1
53	SL4051485SC	SCREW				2
54	SM6051400SP	SCREW				2
55	13302104	PIN				1
56	13302104	PIN				1
57	13304209	SUPPORT BRACKET				1
58	SM4041055SP	SCREW				1
59	SM4040655SP	SCREW M4 L=6				1
60	NM6040001SP	NUT M4X0.7				1
61	13366000	BRACKET	FOR MF-7700-C10			1
62	SM6050800SP	SCREW M5 L=8	FOR MF-7700-C10			2
63	13366208	BINDER_PLATE	FOR MF-7700-C10			1
64	WP0531001SC	WASHER	FOR MF-7700-C10			2
65	SM4050855SP	SCREW	FOR MF-7700-C10			2
66	40066085	FABRIC_GUIDE	FOR MF-7700-C10			1
67	WP0450826SC	WASHER 4.5X10X0.8	FOR MF-7700-C10			2
68	SM6040610SC	SCREW M4X0.7 L=6	FOR MF-7700-C10			2
69	13302658	DRIVING BELT COVER ASSY				1
70	13302609	DRIVING BELT COVER		*		1
71	CM3002000A1	CAUTION LABEL(16)		*		1
72	SM4051255SP	SCREW.,M5 L=12.				2
73	SM4050855SP	SCREW				1
74	13365259	GUIDE_PIN_ASSY	FOR MF-7700-C10			2
75	13365507	SCREW		*		1
76	13365200	GUIDE_PIN		*		1
77	13365309	PIN_BASE		*		1
78	NM6040000SN	NUT M4	FOR MF-7700-C10			2
79	13304407	TAPE_BINDER_BRACKET	FOR MF-7700-C10			1
80	13366307	PLATE	FOR MF-7700-C10			1
81	13365408	FOLDER_CLAMP	FOR MF-7700-C10			1
82	SM6050800SP	SCREW M5 L=8	FOR MF-7700-C10			1
83	CM600100101	WEEE MARK LABEL S				1

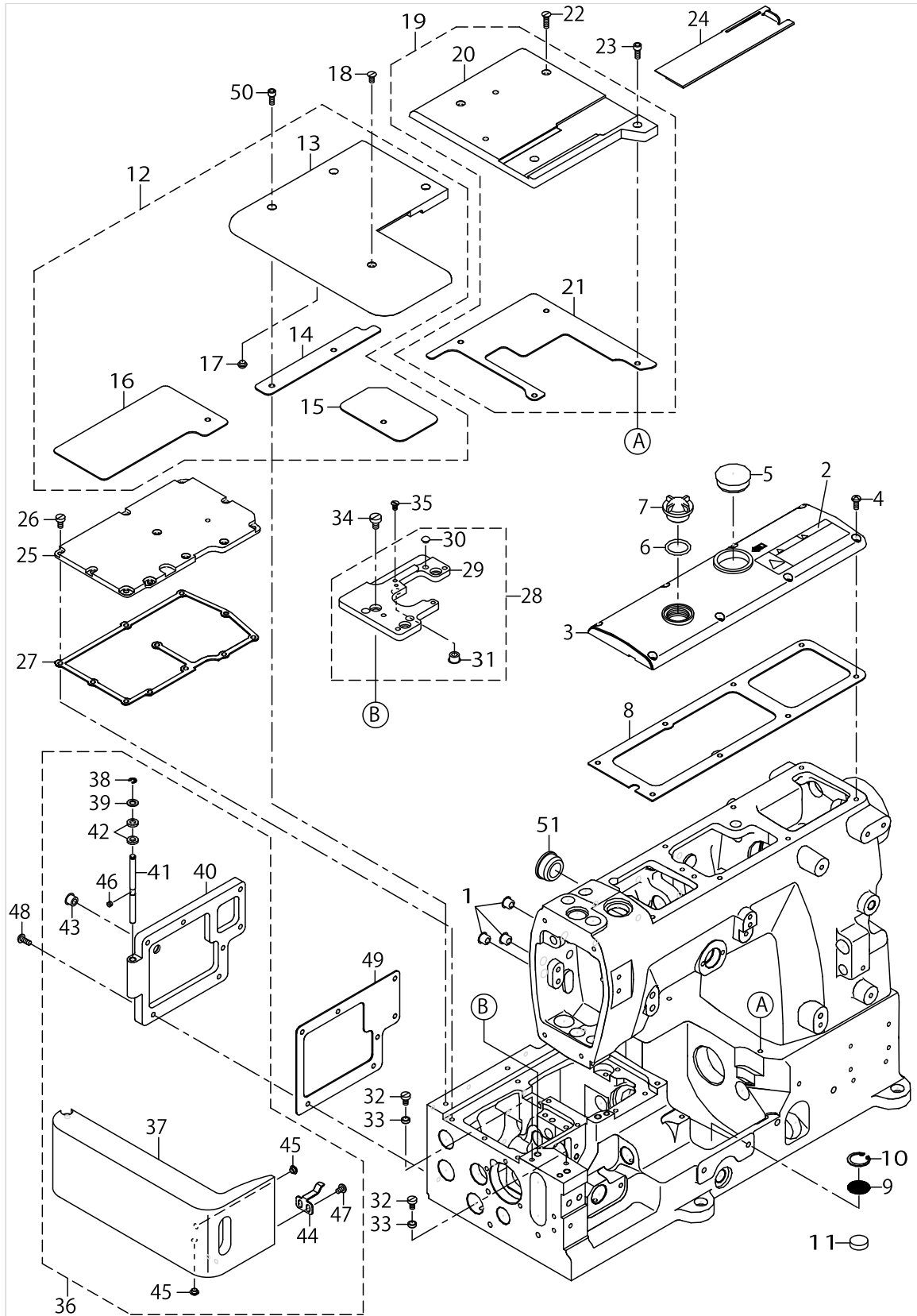
FRAME & MISCELLANEOUS COVER COMPONENTS (2)



FRAME & MISCELLANEOUS COVER COMPONENTS (2)

No.	Parts No.	Parts name	Remarks	Level	Cons	Qty
1	TA0850604R0	RUBBER PLUG				3
2	CM3002001B1	SAFETY LABEL 12				1
3	13300702	TOP COVER				1
4	SM4041055SP	SCREW				8
5	10753309	WINDOW PLATE RUBBER PLUG				1
6	RO195240100	RUBBER RING				1
7	22924708	OIL SIGHT WINDOW				1
8	13300801	GASKET T				1
9	13426903	MESH PLATE				1
10	RC1900002KP	RETAIN IG-PIN				1
11	40018946	FILTER				1
12	13303656	ASSY_CLOTH_PLATE_LEFT				1
13	13303607	CLOTH PLATE LEFT		*		1
14	13304803	GASKET_CPL		*		1
15	13304902	GASKET_TPS		*		1
16	13305008	GASKET_BTC		*		1
17	13302302	RUBBER BUMPER		*		2
18	SM1040800SP	SCREW				1
19	13303755	ASSY_CLOTH_PLATE_RIGHT				1
20	13303706	CLOTH PLATE RIGHT		*		1
21	13304704	GASKET_CPR		*		1
22	SM1041400SP	SCREW				2
23	SM6041002TP	SCREW M4 L=10				2
24	13303805	SLIDE COVER				1
25	13303102	BED TOP COVER				1
26	SM6040800SP	SCREW				11
27	13303201	GASKET B				1
28	13303052	ASSY_TP_SUPPORT				1
29	13303003	THROAT PLATE SUPPORT		*		1
30	13302302	RUBBER BUMPER		*		1
31	TA0850604R0	RUBBER PLUG		*		1
32	SM6040750TP	SCREW M4 L=7				2
33	40082196	ADJUSTING_COLLAR				2
34	SM6050800SP	SCREW M5 L=8				3
35	13302203	SCREW				2
36	13304159	SIDE_COVER_ASSY				1
37	13304100	SIDE COVER		*		1
38	RE0300000K0	E-RING 3		*		1
39	WP0550800SP	WASHER 5.5X10X0.8		*		1
40	13303904	FEED CHAMBER COVER		*		1
41	13305107	PIN_FOR_SIDE_COVER		*		1
42	13302708	RUBBER_WASHER		*		2
43	TA0850604R0	RUBBER PLUG		*		1
44	13304308	LATCH SPRING		*		1
45	13302302	RUBBER BUMPER		*		2
46	SM8040360TP	SCREW		*		1
47	SM4040655SP	SCREW M4 L=6		*		2

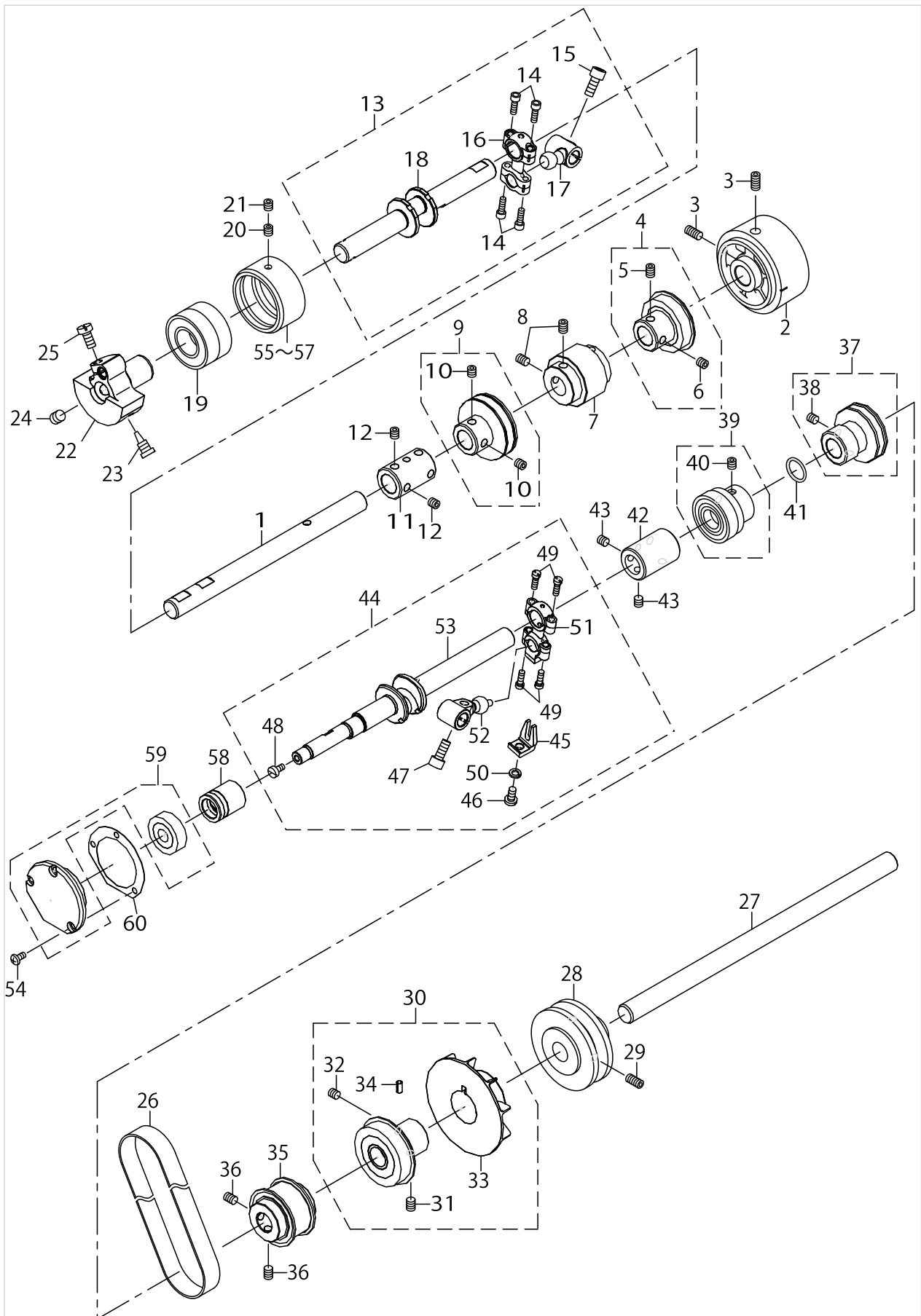
FRAME & MISCELLANEOUS COVER COMPONENTS (2)



FRAME & MISCELLANEOUS COVER COMPONENTS (2)

No.	Parts No.	Parts name	Remarks	Level	Cons	Qty
48	SM4041055SP	SCREW				7
49	13304001	GASKET F				1
50	SM6041002TP	SCREW M4 L=10				3
51	TA2351004R0	RUBBER PLUG				1

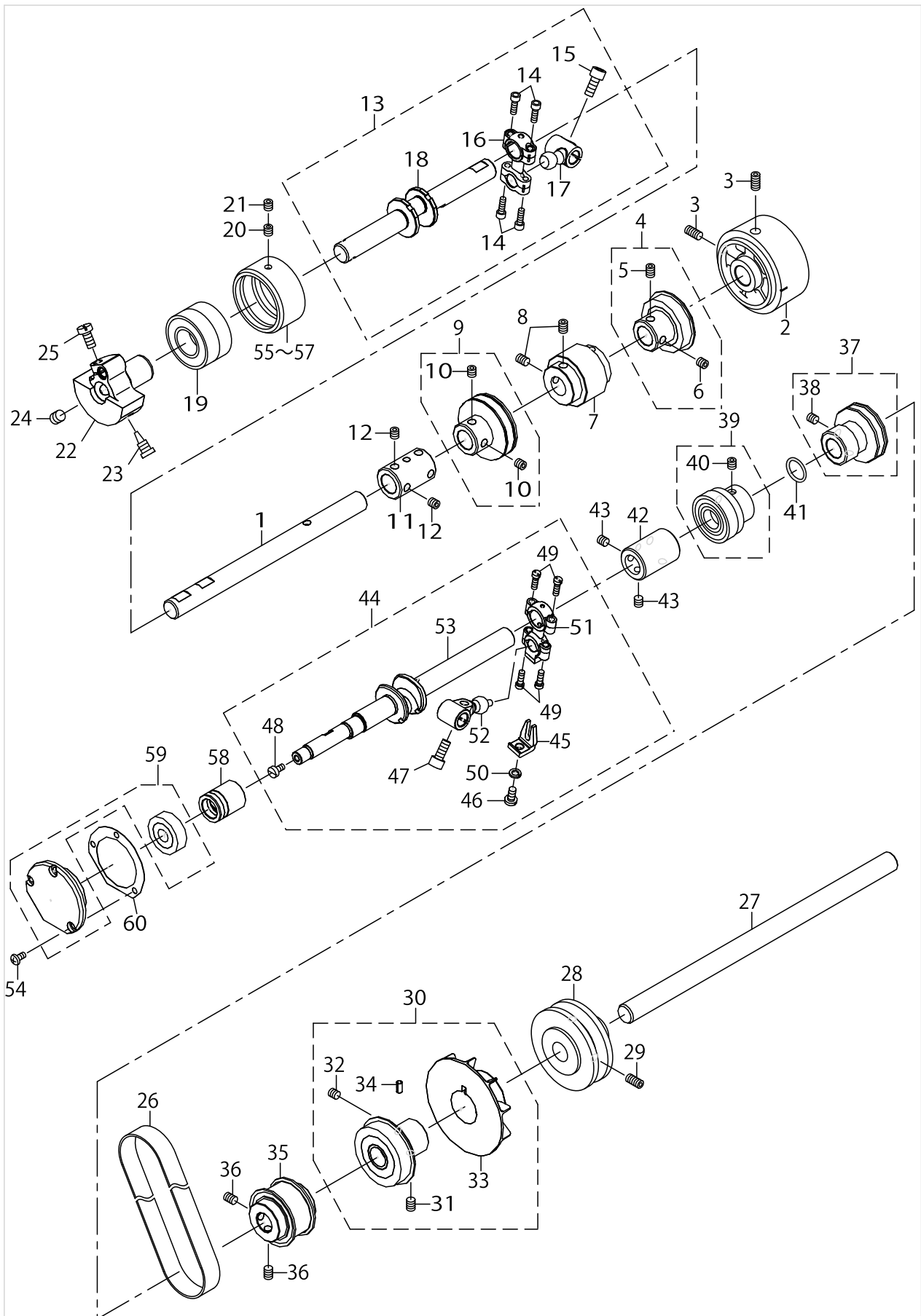
MAIN SHAFT COMPONENTS



MAIN SHAFT COMPONENTS

No.	Parts No.	Parts name	Remarks	Level	Cons	Qty
1	13307004	UPPER MAINSHAFT RIGHT				1
2	13307103	UPPER PULLEY				1
3	SM8061212TP	SCREW M6X12				2
4	13307251	BEARING ASSY A				1
5	SM8060842TP	SCREW M6 L=8		*		1
6	SM8060612TP	SCREW M6 L=6		*		1
7	13307301	UMS_SPROCKET				1
8	SM8060812TP	SCREW M6 L=8				4
9	13307459	BEARING ASSY B				1
10	SM8060612TP	SCREW M6 L=6		*		2
11	13307509	JOINT				1
12	SM8060612TP	SCREW M6 L=6				4
13	13307657	UMS_LEFT_ROD_ASSY				1
14	SM6041202TP	SCREW M4X0.7 L=12		*		4
15	SM6061402TP	SCREW M6 L=14		*		1
16	13324009	ROD		*		1
17	13324207	CRANK		*		1
18	13307608	UPPER MAINSHAFT LEFT		*		1
19	SB120001900	BEARING				2
20	SM8060842TP	SCREW M6 L=8				1
21	SM8060612TP	SCREW M6 L=6				1
22	13307707	COUNTER WEIGHT				1
23	13309208	SCREW_FOR_COUNTERWEIGHT				1
24	SM8080812TP	SCREW M8X8				1
25	SM6061200SP	SCREW				1
26	13308804	TIMING_BELT				1
27	13307905	LOWER MAINSHAFT RIGHT				1
28	13308002	LOWER PULLEY				1
29	SM8061212TP	SCREW M6X12				2
30	13309158	BEARING_ASSY_F				1
31	SM8060842TP	SCREW M6 L=8		*		1
32	SM8060612TP	SCREW M6 L=6		*		1
33	13309000	LMS_FAN		*		1
34	PS0400082KP	SPRING PIN		*		1
35	13308309	LMS_SPROCKET				1
36	SM8060812TP	SCREW M6 L=8				4
37	13308556	BEARING_ASSY_D				1
38	SM8060612TP	SCREW M6 L=6		*		2
39	13308457	BEARING_ASSY_C				1
40	SM8060612TP	SCREW M6 L=6		*		2
41	RO148240200	RUBBER RING				1
42	13307509	JOINT				1
43	SM8060612TP	SCREW M6 L=6				4
44	13308150	LMS_LEFT_ASSY				1
45	13337100	GUIDE LOOPER ROD		*		1
46	SM4051055SP	SCREW		*		1
47	SM6061402TP	SCREW M6 L=14		*		1

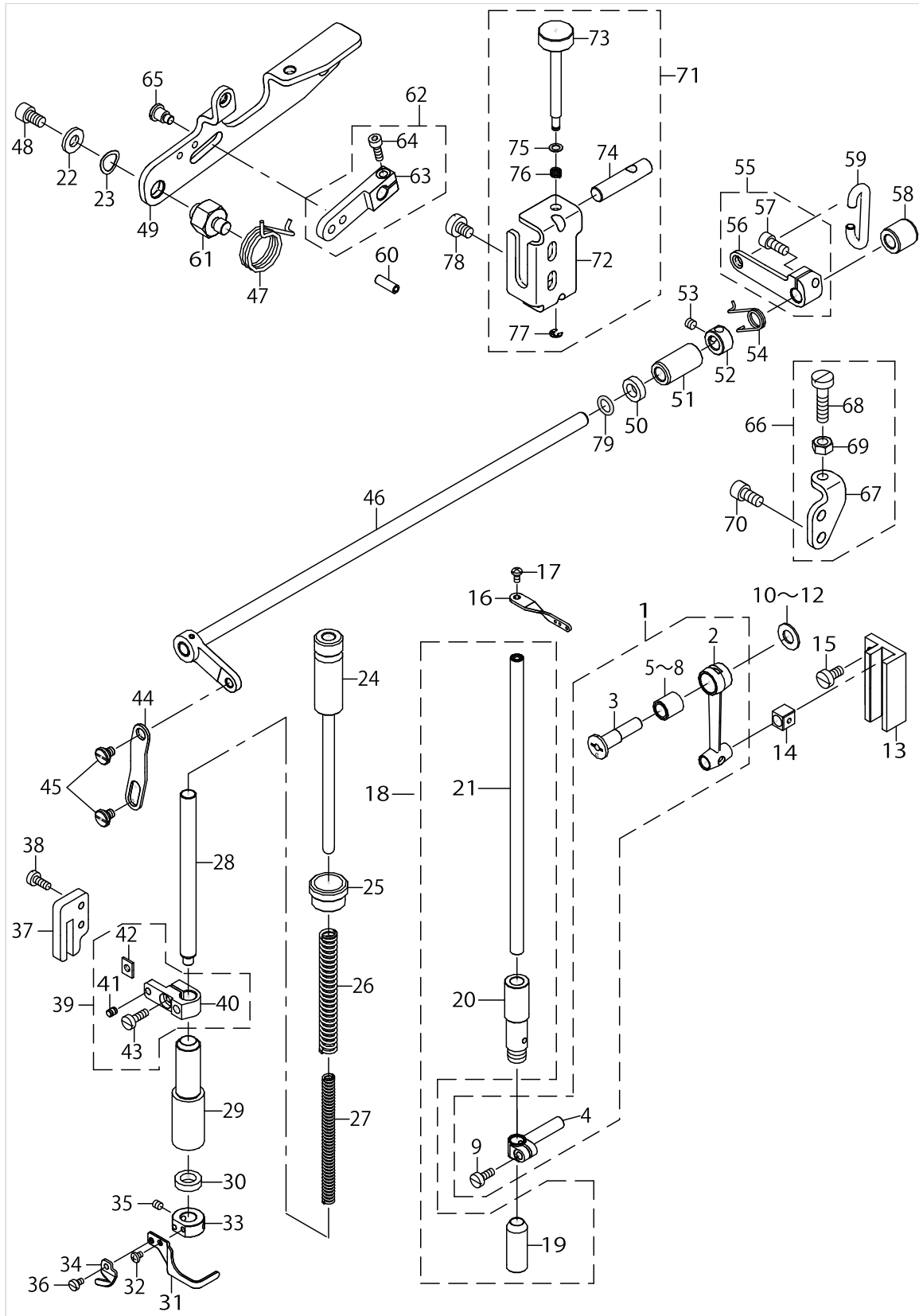
MAIN SHAFT COMPONENTS



MAIN SHAFT COMPONENTS

No.	Parts No.	Parts name	Remarks	Level	Cons	Qty
48	SM6040800SP	SCREW		*		1
49	13324108	SCREW		*		4
50	WS0510002KP	SPRING WASHER 5.1X9.2X1.3		*		1
51	13337001	LOOPER ROD DRIVE		*		1
52	13337209	LOOPER DRIVE		*		1
53	13308101	LOWER MAINSHAFT LEFT		*		1
54	SM4040855SP	SCREW				3
55	13307806	HOUSING A	SELECTIVE PARTS			1
56	13309307	HOUSING B	SELECTIVE PARTS			1
57	13309406	HOUSING C	SELECTIVE PARTS			1
58	13308200	BUSHING LMS MIDDLE				1
59	13308655	BUSHING_LMS_LEFT_ASSY				1
60	13308705	GASKET FOR BUSHING LEFT				1

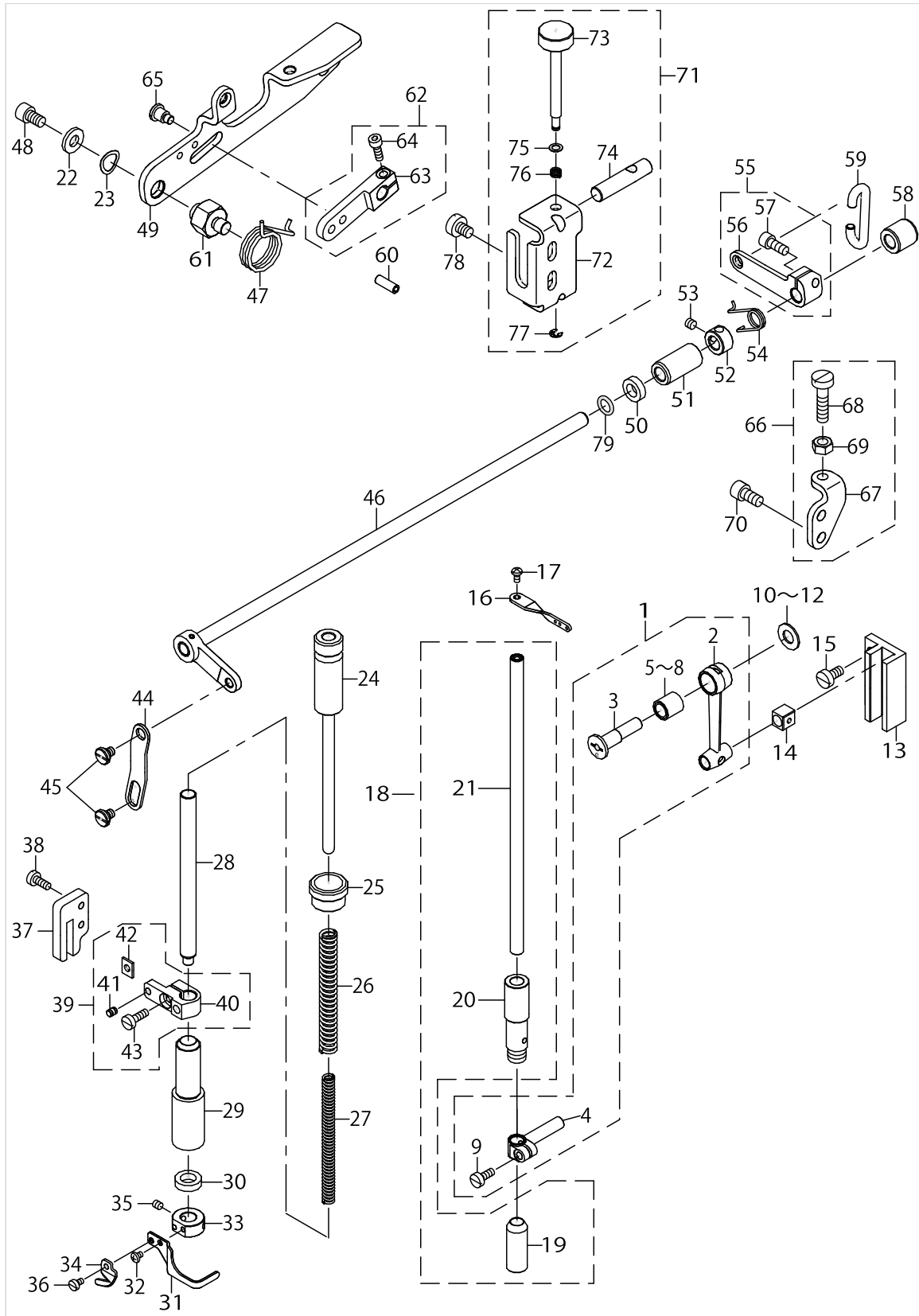
NEEDLE BAR & PRESSER COMPONENTS



NEEDLE BAR & PRESSER COMPONENTS

No.	Parts No.	Parts name	Remarks	Level	Cons	Qty
1	13311253	ASSY_NEEDLE_MECH				1
2	13311204	CONNECTING ROD		*		1
3	13311006	ECCENTRIC PIN		*		1
4	13311303	NEEDLE BAR CLAMP		*		1
5	SB30800110A	BEARING	SELECTIVE PARTS	*		1
6	SB30800110B	BEARING	SELECTIVE PARTS	*		1
7	SB30800110C	BEARING	SELECTIVE PARTS	*		1
8	SB30800110D	BEARING	SELECTIVE PARTS	*		1
9	SM6041000SP	SCREW M4 L=10		*		1
10	13312103	THRUST_WASHER	SELECTIVE PARTS			1
11	13312202	THRUST_WASHER	SELECTIVE PARTS			1
12	13312301	THRUST_WASHER	SELECTIVE PARTS			1
13	13311600	NEEDLE BAR GUIDE				1
14	13311501	SLIDE BLOCK				1
15	SM6051000SP	SCREW				3
16	13326806	NEEDLE BAR EYELET				1
17	SM4030655SP	SCREW				1
18	13311956	ASSY_BUSHING_NB				1
19	13311907	BUSHING NB LOWER		*		1
20	13311808	BUSHING NB UPPER		*		1
21	13311451	NEEDLE BAR ASSY		*		1
22	WP0702026SP	WASHER 7X15X2				1
23	WZ1052010KP	WAVED WASHER				1
24	40070573	ADJ_SCREW_P_B_ASSY				1
25	13313101	LOCKING NUT				1
26	13313309	SPRING PRESSER BAR A				1
27	13313408	SPRING PRESSER BAR B				1
28	40070559	PRESSER_BAR				1
29	13313705	BUSHING PRESSER BAR				1
30	13315908	OIL SEAL				1
31	40018259	FINGER_GUARD				1
32	SM4030455SP	SCREW				1
33	13313606	COLLAR				1
34	13316302	THREAD_TRIMMER				1
35	SM8040412TP	SET SCREW M4 L=4				2
36	SM6030500SN	SCREW M3 L=5				1
37	13313804	GUIDE PLATE				1
38	SM6041000SP	SCREW M4 L=10				2
39	13313952	P_B_BRACKET_ASSY				1
40	13313903	PRESSER BAR BRACKET		*		1
41	13316203	P_B_BRACKET_PIN		*		1
42	13333208	WASHER		*		1
43	SM6041200SP	SCREW M4 L=12		*		1
44	13314109	LINK				1
45	SD0700206TP	SHOULDER SCREW				2
46	13314356	ASSY LIFTER SHAFT				1
47	13315205	SPRING LIFTER LEVER				1

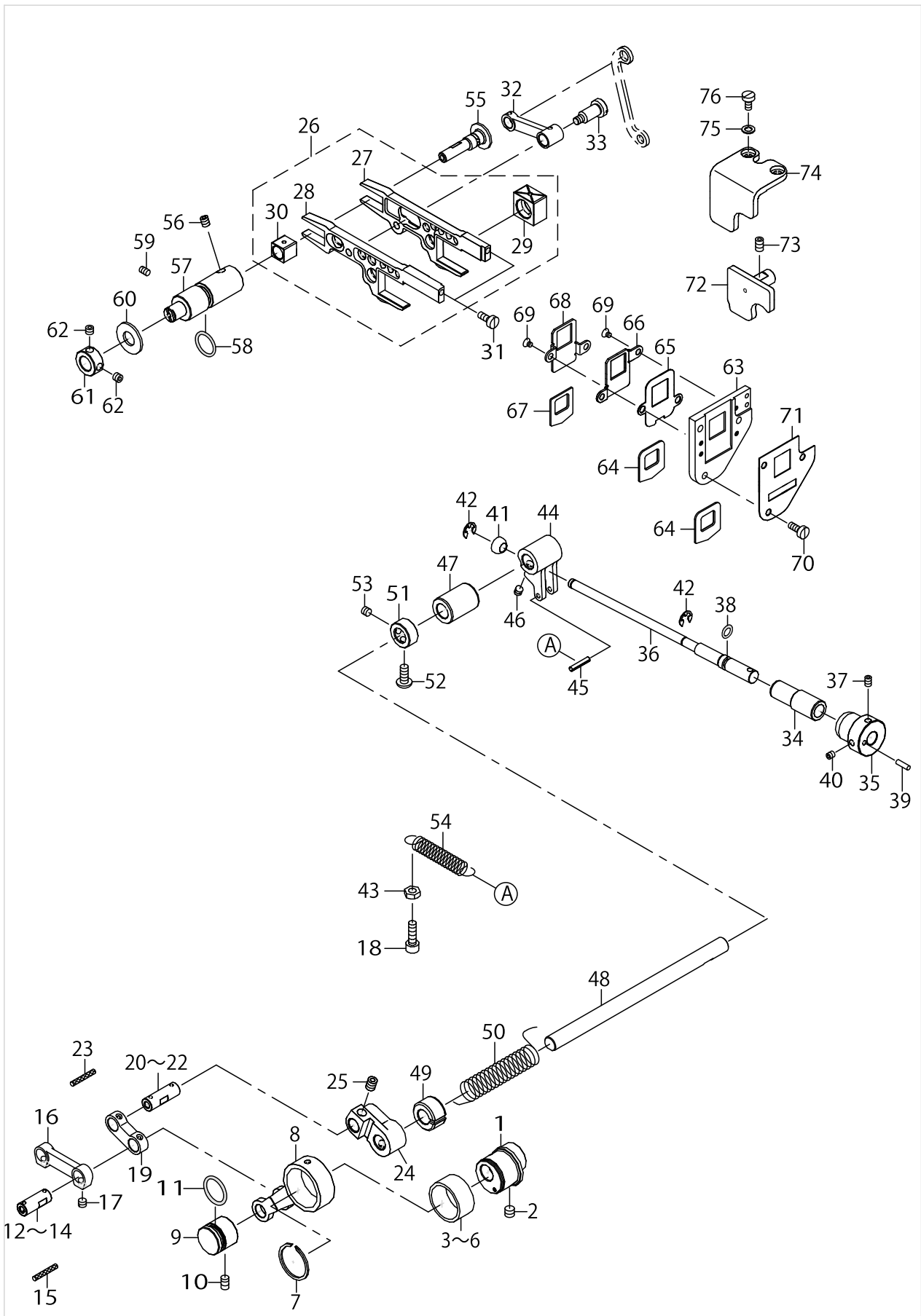
NEEDLE BAR & PRESSER COMPONENTS



NEEDLE BAR & PRESSER COMPONENTS

No.	Parts No.	Parts name	Remarks	Level	Cons	Qty
48	SM6061002TP	SCREW M6 L=10				1
49	13315007	LIFTER LEVER				1
50	23537202	HOOK SHAFT OIL SEAL				1
51	13314406	BUSHING LIFTER FRONT				1
52	CS0800881TP	THRUST COLLAR				1
53	SM8050412TP	SCREW M5 L=4				2
54	13314802	SPRING PF LIFT				1
55	13314752	LIFTER_SHAFT_LEVER_ASSY				1
56	13314703	LIFTER SHAFT LEVER		*		1
57	SM6051202TP	SCREW M5X0.8 L=12		*		1
58	13314505	BUSHING LIFTER REAR				1
59	13314901	LIFTER HOOK				1
60	PS0500142KP	SPRING PIN				1
61	13315106	LIFTER LEVER HOLDER				1
62	13315353	TENS_RELEASE_LEVER_ASSY				1
63	13315304	TENSION RELEASE LEVER		*		1
64	SM6041202TP	SCREW M4X0.7 L=12		*		1
65	SD0700586TP	SHOULDER SCREW				1
66	13315551	STOPPER_ASSY				1
67	13315502	LIFTER LEVER STOPPER		*		1
68	SM6062550TP	SCREW M6 L=25		*		1
69	NM6060001CP	NUT M6		*		1
70	SM6061202TP	SCREW M6 L=12				2
71	13315650	MINUTE_LIFTING_ASSY				1
72	13315601	BRACKET		*		1
73	13315700	SCREW		*		1
74	13315809	SLIDER		*		1
75	WP0460556SD	WASHER 4.6X7.5X0.5		*		1
76	13123302	ADJUSTING SPRING		*		1
77	RE0300000K0	E-RING 3		*		1
78	SM6060800SP	SCREW M6 L=8				2
79	RO074240100	RUBBER RING				1

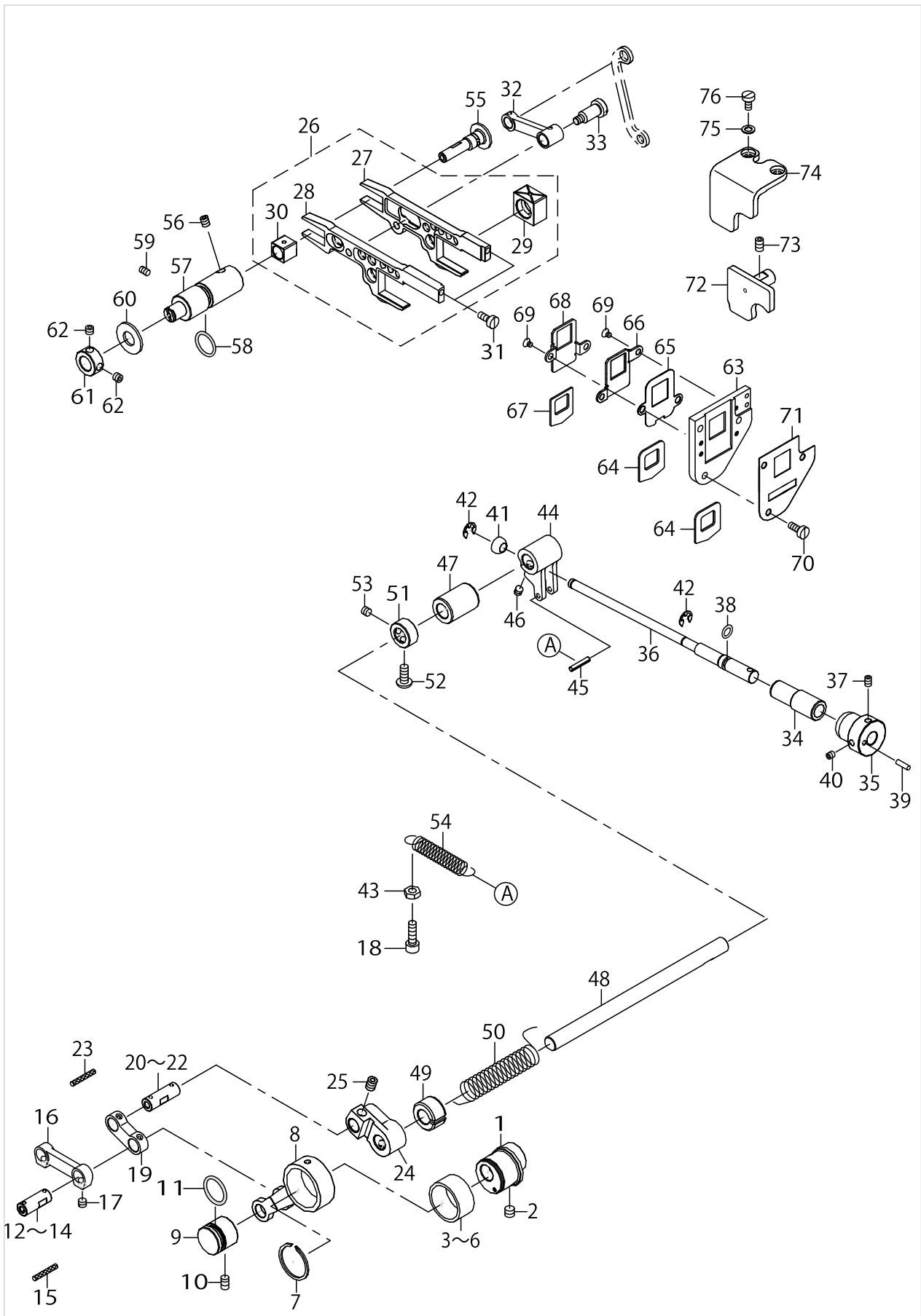
FEED DRIVE COMPONENTS (1)



FEED DRIVE COMPONENTS (1)

No.	Parts No.	Parts name	Remarks	Level	Cons	Qty
1	13317003	FEED ECCENTRIC				1
2	SM8060552TP	SCREW M6 L=5				2
3	B1426180A00	NEEDLE BEARING (A)	SELECTIVE PARTS			1
4	B1426180B00	NEEDLE BEARING (B)	SELECTIVE PARTS			1
5	B1426180C00	NEEDLE BEARING (C)	SELECTIVE PARTS			1
6	B1426180D00	NEEDLE BEARING (D)	SELECTIVE PARTS			1
7	RC2251213KP	C-RING				1
8	13317102	CRANK_ROD				1
9	13323803	CRANK ROD GUIDE				1
10	SM8050812TP	SCREW M5X8				1
11	RO158240100	O-RING				1
12	13323308	FEED_ADJ_LINK_PIN_A	SELECTIVE PARTS			1
13	13323407	FEED_ADJ_LINK_PIN_B	SELECTIVE PARTS			1
14	13323506	FEED_ADJ_LINK_PIN_C	SELECTIVE PARTS			1
15	CQ303000000	OIL WICK				0.07
16	13317201	MAIN FEED DRIVE LINK				1
17	SM8050412TP	SCREW M5 L=4				2
18	SM6051602TP	SCREW M5X0.8 L=16				1
19	13317300	ADJUST LINK				1
20	13317409	FEED ADJ LINK PIN A	SELECTIVE PARTS			1
21	13317508	FEED ADJ LINK PIN B	SELECTIVE PARTS			1
22	13317607	FEED ADJ LINK PIN C	SELECTIVE PARTS			1
23	CQ303000000	OIL WICK				0.08
24	13317706	MAIN FEED ADJ LEVER				1
25	SM8060552TP	SCREW M6 L=5				2
26	13321658	FEED_BAR_ASSY				1
27	13321609	MAIN FEED BAR		*		1
28	13321708	DIFF FEED BAR		*		1
29	13321401	SLIDE BLOCK		*		1
30	13322409	SLIDE BLOCK		*		1
31	SM6041000SP	SCREW M4 L=10				2
32	13319702	DIFF FEED LINK				1
33	SD0801326TH	SHOULDER SCREW				1
34	13318209	BUSHING FEED ADJUST				1
35	13318001	KNOB FEED ADJUST				1
36	13318100	SHAFT FEED ADJUST				1
37	SM8040602TP	SCREW M4X0.7 L=6				1
38	RO055200100	RUBBER RING				1
39	B3215470000	PIN				1
40	SM8040412TP	SET SCREW M4 L=4				1
41	13318308	STOPPER FEED ADJUST				1
42	RE0500000K0	E-RING				2
43	NM6050001SP	NUT M5				1
44	13317904	FEED ADJUST LEVER				1
45	PS0300162KH	SPRING PIN 3X16				1
46	SM8050412TP	SCREW M5 L=4				1
47	13323100	BUSHING_FEED_ADJ				1

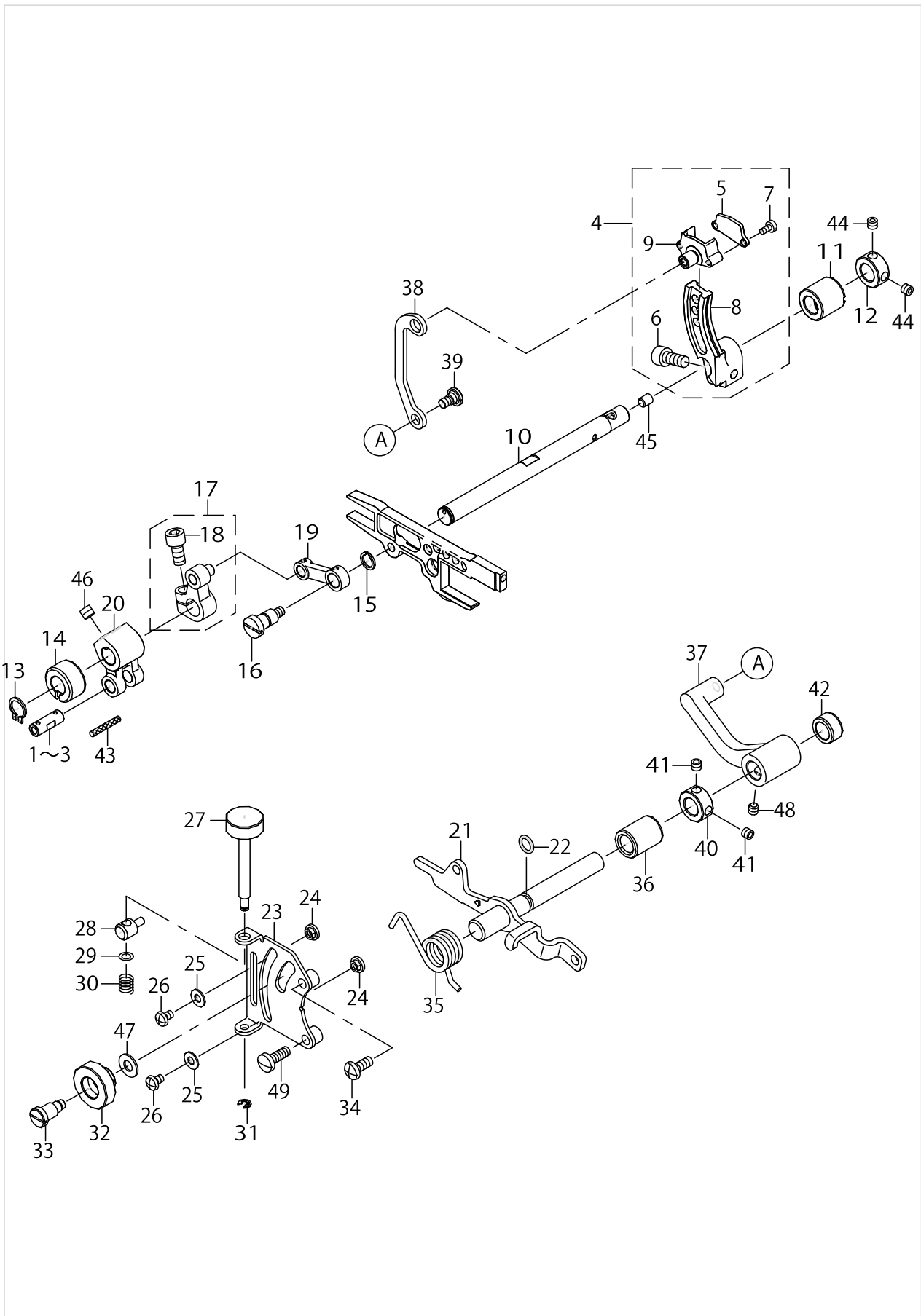
FEED DRIVE COMPONENTS (1)



FEED DRIVE COMPONENTS (1)

No.	Parts No.	Parts name	Remarks	Level	Cons	Qty
48	13317805	FEED ADJUST SHAFT				1
49	13319108	BUSHING FEED FRONT				1
50	13318506	TORSIN SPRING				1
51	CS1000881TP	THRUST COLLAR				1
52	SM4051255SP	SCREW.,M5 L=12.				1
53	SM8050412TP	SCREW M5 L=4				1
54	B2556280000	SPRING				1
55	13322201	ECCENTRIC PIN				1
56	SM8060552TP	SCREW M6 L=5				1
57	13322003	FEED BAR SHAFT				1
58	RO137230100	RUBBER RING				1
59	SM8040612TP	SCREW M4 L=6				1
60	13322102	WASHER FEED BAR SHAFT				1
61	CS1000881TP	THRUST COLLAR				1
62	SM8050412TP	SCREW M5 L=4				2
63	13322508	FEED BAR SEAL CASE				1
64	13322607	FEED BAR SEAL 1				2
65	13322706	FEED BAR SEAL PLATE 1				1
66	13322805	FEED BAR SEAL PLATE 2				1
67	13323001	FEED BAR SEAL 2				1
68	13322904	FEED BAR SEAL PLATE 3				1
69	SM1030400SP	SCREW M3 L=4				4
70	SM6041000SP	SCREW M4 L=10				3
71	13323605	DUST PROOF PLATE				1
72	13321807	FEED BAR GUIDE 1				1
73	SM8050812TP	SCREW M5X8				1
74	13321906	FEED BAR GUIDE 2				1
75	WP0480856SP	WASHER 4.8X8.4X0.8				2
76	SM6040800SP	SCREW				2

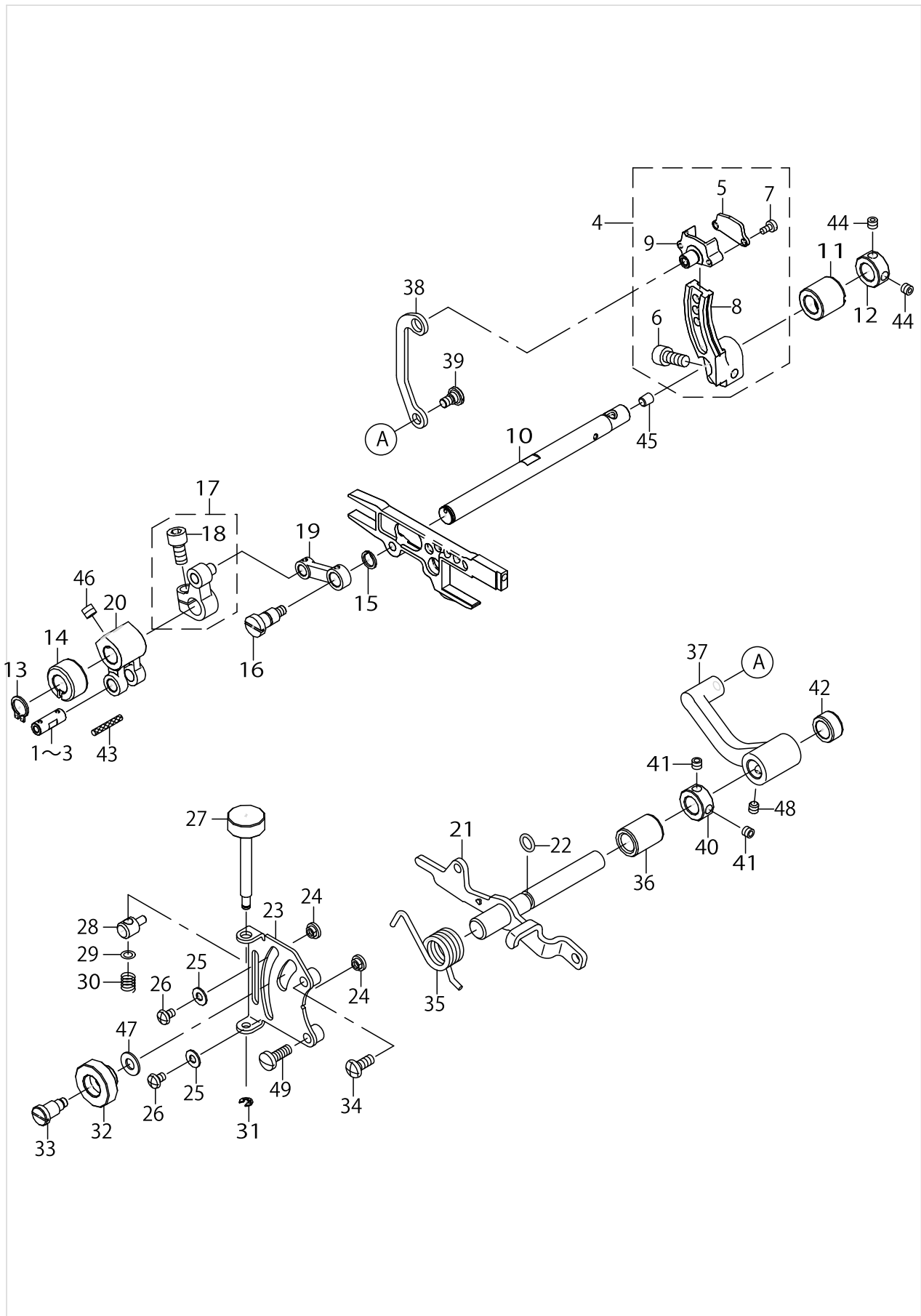
FEED DRIVE COMPONENTS (2)



FEED DRIVE COMPONENTS (2)

No.	Parts No.	Parts name	Remarks	Level	Cons	Qty
1	13318704	MAIN FEED CRANK PIN A	SELECTIVE PARTS			1
2	13318803	MAIN FEED CRANK PIN B	SELECTIVE PARTS			1
3	13318902	MAIN FEED CRANK PIN C	SELECTIVE PARTS			1
4	13319959	DIFF_DRIVE_ARM_ASSY				1
5	13320106	DIFF FEED PIN PLATE		*		1
6	SM6061402TP	SCREW M6 L=14		*		1
7	SM6030600SP	SCREW M3X0.5 L=6		*		2
8	13319900	DIFF DRIVE ARM		*		1
9	13320007	DIFF FEED PIN		*		1
10	13319009	ROCKER SHAFT				1
11	13319207	BUSHING FEED REAR				1
12	CS1000881TP	THRUST COLLAR				1
13	RC0100001KP	SNAP RING M10				1
14	13319108	BUSHING FEED FRONT				1
15	RC0741013KP	C-RING				1
16	13398409	SHOULDER SCREW				1
17	13319355	MAIN_FEED_ROCKER_ASSY				1
18	SM6061202TP	SCREW M6 L=12		*		1
19	13319504	MAIN FEED LINK				1
20	13318605	MAIN FEED CRANK				1
21	40040206	DIFF_FEED_LEVER_ASSY				1
22	RO068190100	RUBBER RING				1
23	40039630	PLATE_DIFF_FEED_LEVER				1
24	13321203	STOPPER DIFF ADJ				2
25	WP0450826SC	WASHER 4.5X10X0.8				2
26	SM5040655SN	SCREW				2
27	40040207	SCREW				1
28	13217708	DIFFERENTIAL FEED BLOCK				1
29	WP0460556SD	WASHER 4.6X7.5X0.5				1
30	13123302	ADJUSTING SPRING				1
31	RE0300000K0	E-RING 3				1
32	13217500	DIFFERENTIAL FEED LOCK NUT				1
33	13217401	DIFFERENTIAL FEED HINGE SCREW				1
34	SM4051255SP	SCREW.,M5 L=12				1
35	13121603	ADJUSTING LEVER SPRING				1
36	13320304	BUSHING DIFF ADJ LEVER				1
37	13320403	DIFF ADJ LEVER				1
38	40018443	DIFF_ADJ_LINK				1
39	31013808	HINGE SCREW				1
40	CS1000881TP	THRUST COLLAR				1
41	SM8050412TP	SCREW M5 L=4				2
42	13323209	BUSHING_DIFF_ADJ_LEVER				1
43	CQ303000000	OIL WICK				0.04
44	SM8050412TP	SCREW M5 L=4				2
45	TA0500601M0	PLUG D=5X5.4 L=6				1
46	SM8060552TP	SCREW M6 L=5				2
47	WP0621016SD	WASHER 6.2X13X1				1

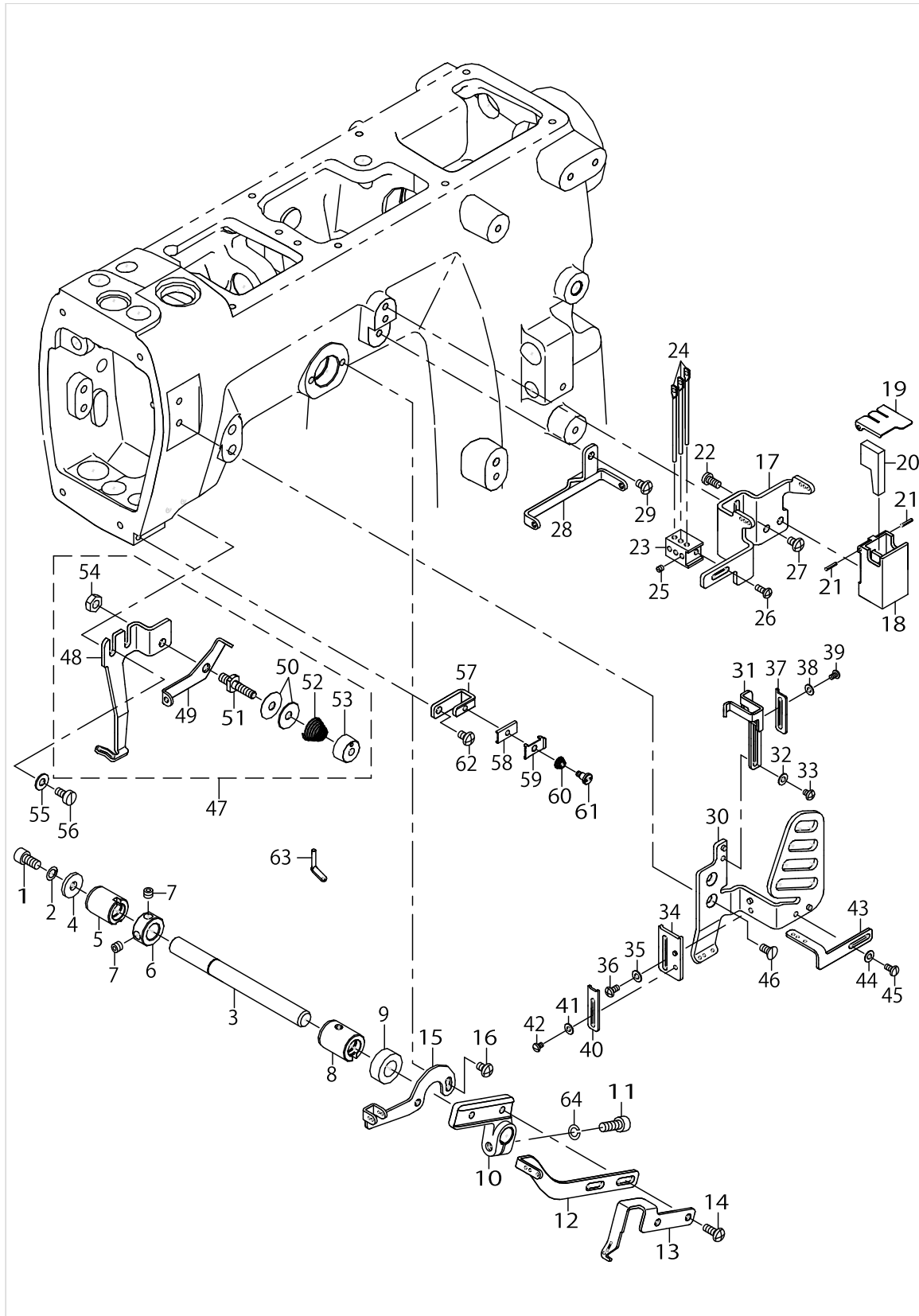
FEED DRIVE COMPONENTS (2)



FEED DRIVE COMPONENTS (2)

No.	Parts No.	Parts name	Remarks	Level	Cons	Qty
48	SM8050412TP	SCREW M5 L=4				1
49	SM7051460TP	SCREW M5 L=14				1

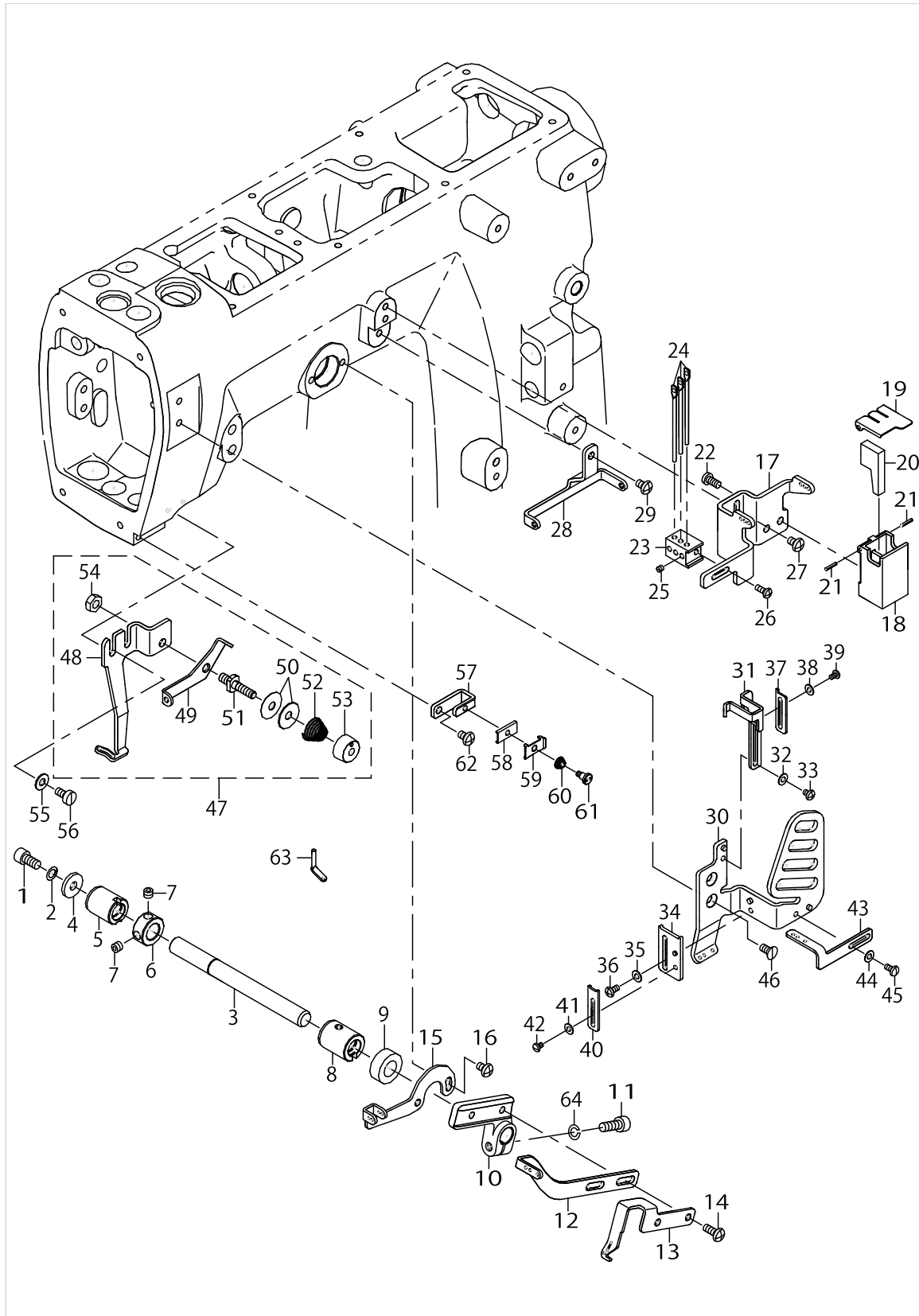
THREAD TAKE-UP LEVER COMPONENTS



THREAD TAKE-UP LEVER COMPONENTS

No.	Parts No.	Parts name	Remarks	Level	Cons	Qty
1	SM6051002TP	SCREW M5X0.8 L=10				1
2	WS0510002KP	SPRING WASHER 5.1X9.2X1.3				1
3	13324306	SHAFT				1
4	WP0522016SH	WASHER				1
5	13324504	BUSHING REAR				1
6	CS1000881TP	THRUST COLLAR				1
7	SM8050412TP	SCREW M5 L=4				2
8	13324603	BUSHING FRONT				1
9	23612609	FEED CHANGING SHAFT OIL SEAL				1
10	13324702	HOLDER TAKE UP EYELET				1
11	SM6051402TP	SCREW M5X0.8 L=14				1
12	13324801	NDL THREAD TAKE UP				1
13	13324900	UP LPR THREAD TAKE UP				1
14	SM4041055SP	SCREW				2
15	13325006	THREAD GUIDE				1
16	SM4040655SP	SCREW M4 L=6				2
17	13325105	THREAD TENSION GUIDE				1
18	13348008	TANK				1
19	B9213850000	SILICONE OIL TANK COVER, UPPER				1
20	B9214850000	HEAT REMOVING FELT				1
21	PS0150082KH	SPRING PIN				2
22	ST4040851SN	TAPPING SCREW M4X8				2
23	13325204	HOLDER				1
24	30391601	NEEDLE THREAD EYELET				3
25	SM8030312TP	SCREW M3 L=3				3
26	SM4030855SN	SCREW M3 L=8.0				1
27	SM4040655SP	SCREW M4 L=6				2
28	13325402	THREAD GUIDE				1
29	SM4040655SP	SCREW M4 L=6				1
30	13325501	COVER				1
31	13325709	NDL THD STRIKE OFF				1
32	WP0320501SC	WASHER M3				1
33	SM4030455SP	SCREW				1
34	13325600	THD STRIKE OFF PLATE				1
35	WP0320501SC	WASHER M3				1
36	SM4030655SP	SCREW				1
37	13326905	NDL THD STRIKE OFF R				1
38	WP0280501SC	WASHER M2.6				1
39	SM4850455SP	SCREW				1
40	13327002	THD STRIKE OFF PLATE R				1
41	WP0280501SC	WASHER M2.6				1
42	SM4850455SP	SCREW				1
43	13327101	THREAD_GUIDE				1
44	WP0320501SC	WASHER M3				1
45	SM4030655SP	SCREW				1
46	SM1040800SP	SCREW				2
47	13326350	UP_LPR_TENSION_ASSY				1

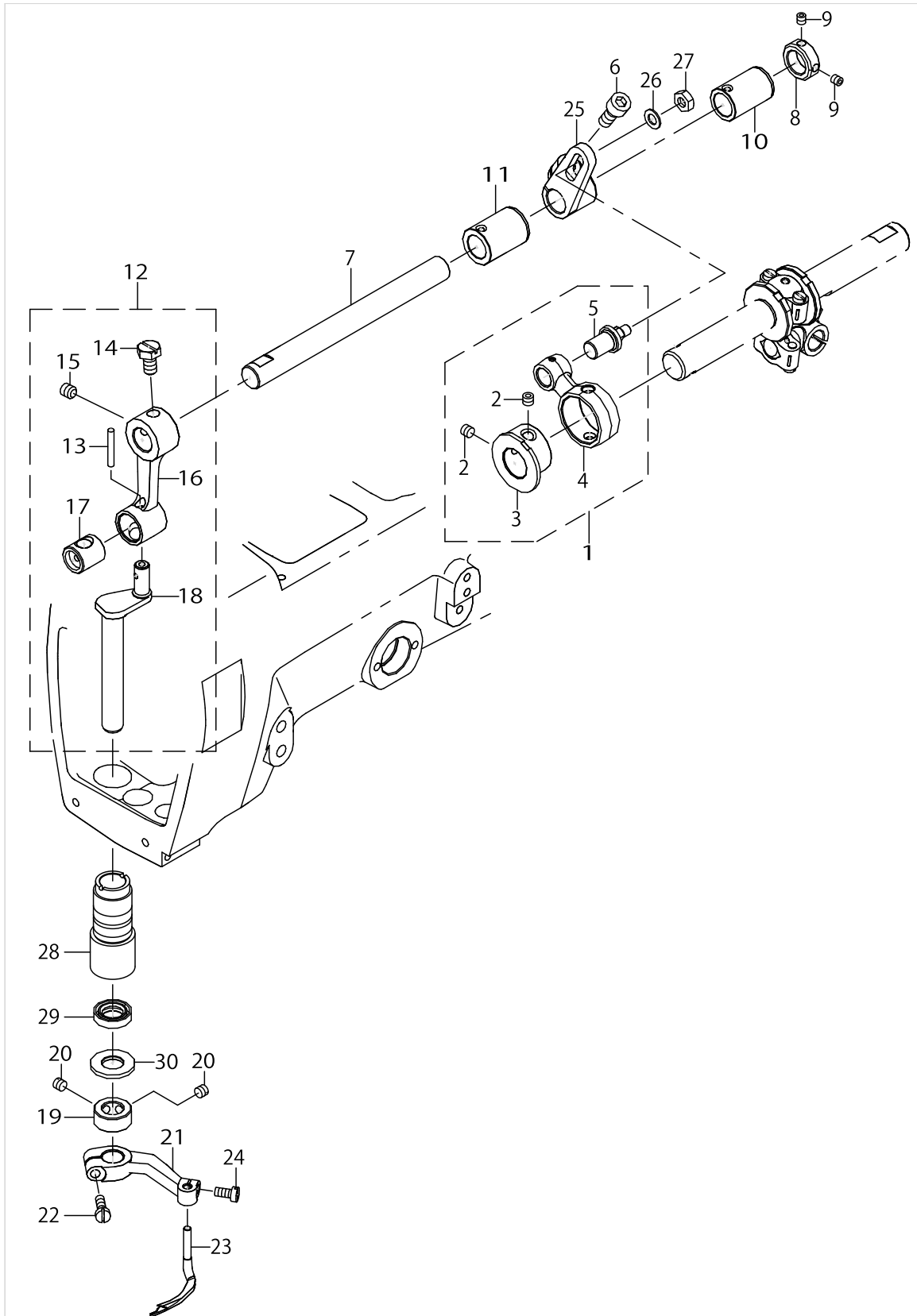
THREAD TAKE-UP LEVER COMPONENTS



THREAD TAKE-UP LEVER COMPONENTS

No.	Parts No.	Parts name	Remarks	Level	Cons	Qty
48	13326301	THREAD GUIDE UPPER LPR		*		1
49	13326400	THREAD GUIDE		*		1
50	22945802	THREAD TENSION DISK		*		2
51	13326509	TENSION POST		*		1
52	22945505	THREAD TENSION SPRING		*		1
53	13326608	TENSION NUT		*		1
54	NM6050001SP	NUT M5		*		1
55	WP0450826SC	WASHER 4.5X10X0.8				2
56	SM6040800SP	SCREW				2
57	13325808	NIPPER PLATE SUPPORT				1
58	13325907	NIPPER PLATE				1
59	13326004	NIPPER GUIDE PLATE				1
60	13326103	SPRING				1
61	13326202	SHOULDER SCREW				1
62	SM4040655SP	SCREW M4 L=6				1
63	13326707	THREAD GUIDE				1
64	WS0510002KN	SPRING WASHER				1

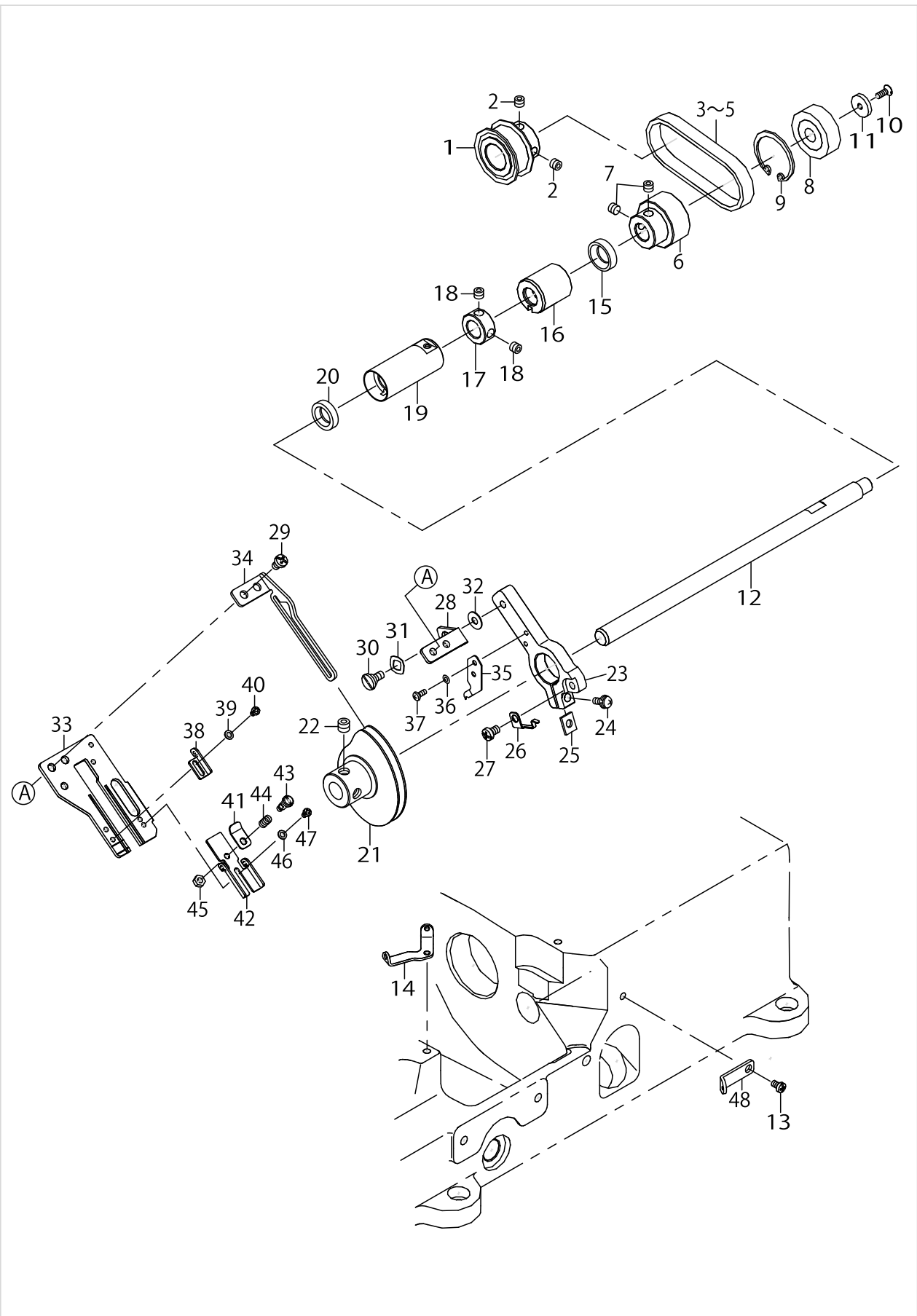
SPREADER COMPONENTS



SPREADER COMPONENTS

No.	Parts No.	Parts name	Remarks	Level	Cons	Qty
1	13328158	ASSY_UPPPER_LPR_MECH				1
2	SM8050412TP	SCREW M5 L=4		*		2
3	13328000	UPPER LOOPER ECCENTRIC		*		1
4	13328109	CONNROD FOR UPPER LPR		*		1
5	13328208	STUD		*		1
6	SM6061402TP	SCREW M6 L=14				1
7	13328406	UPPER LOOPER SHAFT				1
8	13399209	COLLAR				1
9	SM8040412TP	SET SCREW M4 L=4				2
10	13329008	BUSHING REAR				1
11	13329107	BUSHING FRONT				1
12	13328554	ASSY_UPPER_LPR_MECH_2				1
13	CQ303000000	OIL WICK		*		0.05
14	SM9061050TP	SCREW M6 L=10		*		1
15	SM8060612TP	SCREW M6 L=6		*		1
16	13328505	CRANK ROD		*		1
17	13328604	UPPER LOOPER ROCKER		*		1
18	13328703	UP LPR SHAFT VERTICAL		*		1
19	CS1000881TP	THRUST COLLAR				1
20	SM8050412TP	SCREW M5 L=4				2
21	13328802	UPPER LOOPER HOLDER				1
22	SM6041200SP	SCREW M4 L=12				1
23	13329404	UPPER LOOPER				1
24	SM6040800SP	SCREW				1
25	13328307	DRIVING ARM				1
26	WP0550800SP	WASHER 5.5X10X0.8				1
27	NM6050001SP	NUT M5				1
28	13329206	BUSHING VERTICAL				1
29	13338900	OIL SEAL				1
30	WP1022016SH	WASHER				1

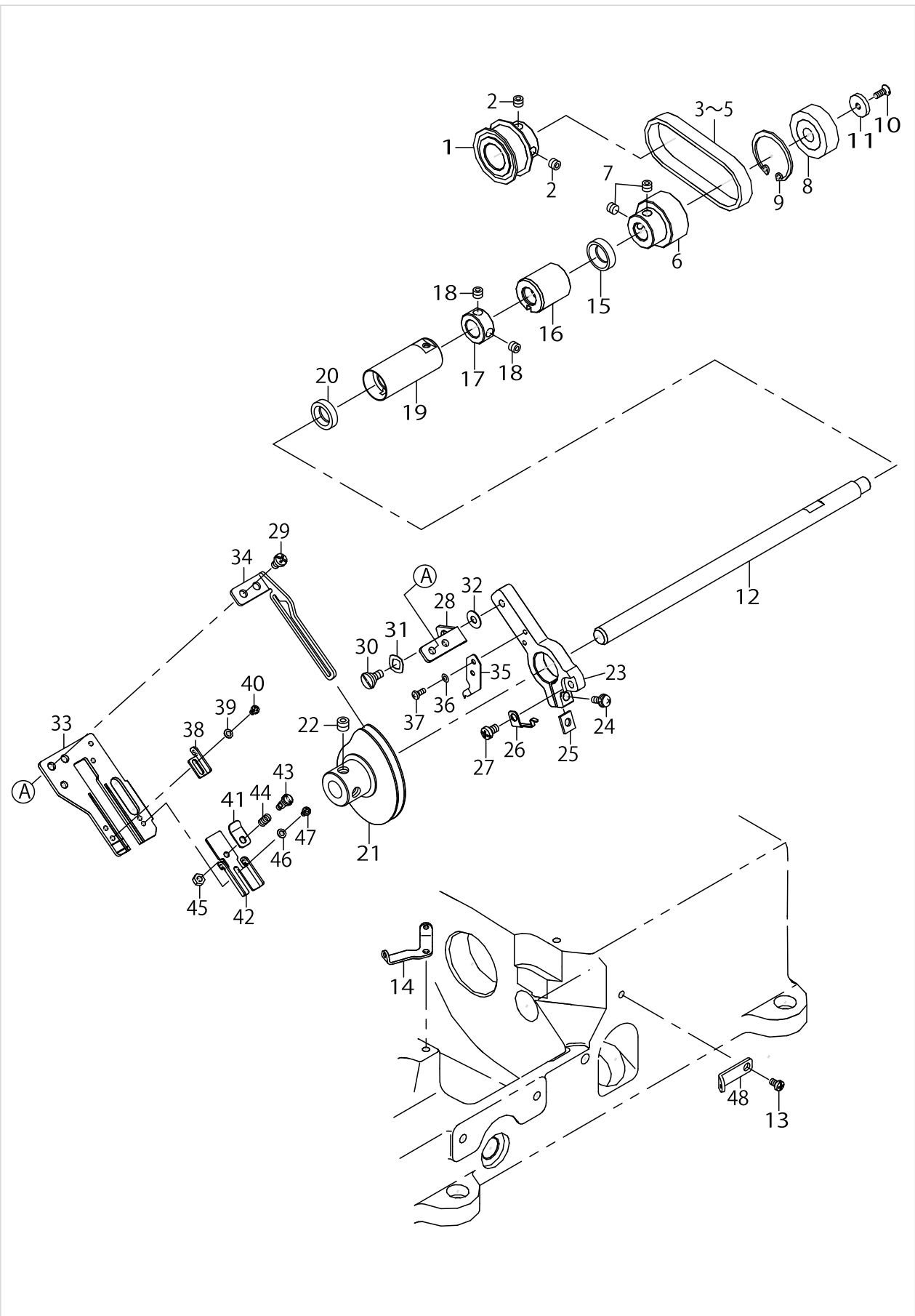
LOWER THREAD CAM COMPONENTS



LOWER THREAD CAM COMPONENTS

No.	Parts No.	Parts name	Remarks	Level	Cons	Qty
1	13331202	SPROCKET MAIN T UP				1
2	SM8050412TP	SCREW M5 L=4				2
3	13332507	BELT TAKE UP A	SELECTIVE PARTS			1
4	13333000	BELT TAKE UP B	SELECTIVE PARTS			1
5	13333109	BELT TAKE UP C	SELECTIVE PARTS			1
6	13331301	SPROCKET TAKE UP				1
7	SM8050412TP	SCREW M5 L=4				2
8	SB108002100	BEARING				1
9	RC2800002KP	RETAINIG PIN				1
10	SM1030800SM	SCREW M3X0.5 L=8				1
11	13332606	WASHER TAKE UP				1
12	13331400	SHAFT TAKE UP				1
13	SM4040655SP	SCREW M4 L=6				1
14	13333703	EYELET_D				1
15	40020538	OIL_SEAL				1
16	13331004	BUSHING A TAKE UP				1
17	CS1000881TP	THRUST COLLAR				1
18	SM8050412TP	SCREW M5 L=4				2
19	40023481	BUSHING_B_TAKE_UP				1
20	40023441	OIL_SEAL				1
21	40019335	ASSY_TAKE_UP				1
22	SM8060552TP	SCREW M6 L=5				2
23	13332309	BASE TAKE UP PLATE				1
24	SL4041281SC	SCREW M4X0.7 L=12				1
25	13333208	WASHER				1
26	13332903	SPRING				1
27	SM4040655SP	SCREW M4 L=6				1
28	13332804	BRACKET				1
29	SM4040655SP	SCREW M4 L=6				2
30	SD0640246SP	HINGE SCREW D=6.35 H=2.4				1
31	WZ0641510KP	WAVED WASHER 6.4X11X0.3				1
32	WP0410516SD	PLAIN WASHER				1
33	13332002	TAKE UP PLATE				1
34	40023042	THREAD_GUIDE				1
35	40056591	THREAD_CATCHER				1
36	WP0280501SC	WASHER M2.6				2
37	SM4850455SP	SCREW				2
38	13332101	EYELET A				1
39	WP0280500SC	WASHER				1
40	SM4850455SP	SCREW				1
41	13333307	LPR THD DISC UPPER				1
42	13333406	LPR THD GUIDE BASE				1
43	13333505	TENSION POST				1
44	13333604	LOOPER CAM SPRING				1
45	NM6030001SN	NUT				1
46	WP0280500SC	WASHER				1
47	SM4850455SP	SCREW				1

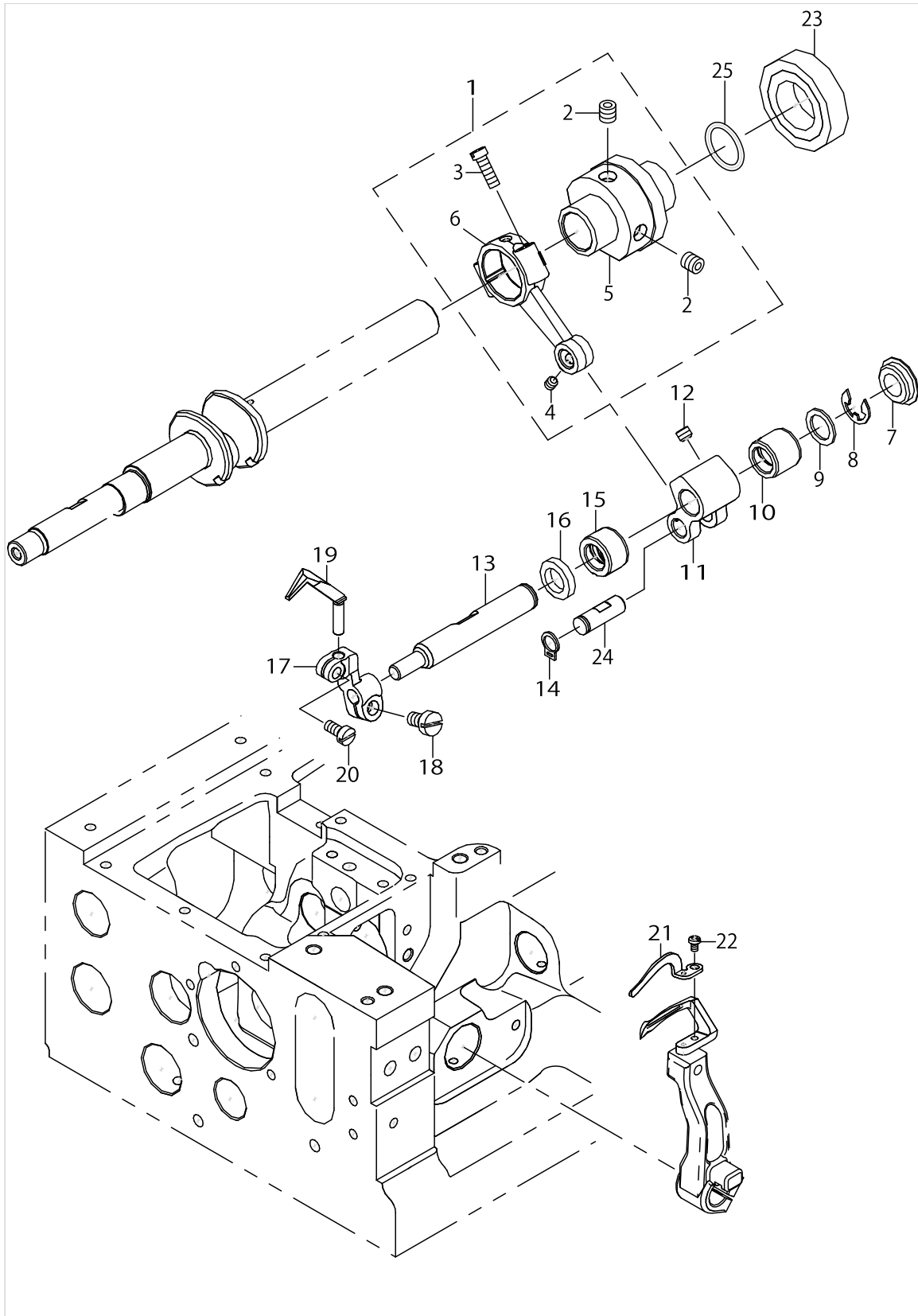
LOWER THREAD CAM COMPONENTS



LOWER THREAD CAM COMPONENTS

No.	Parts No.	Parts name	Remarks	Level	Cons	Qty
48	13332705	EYELET C				1

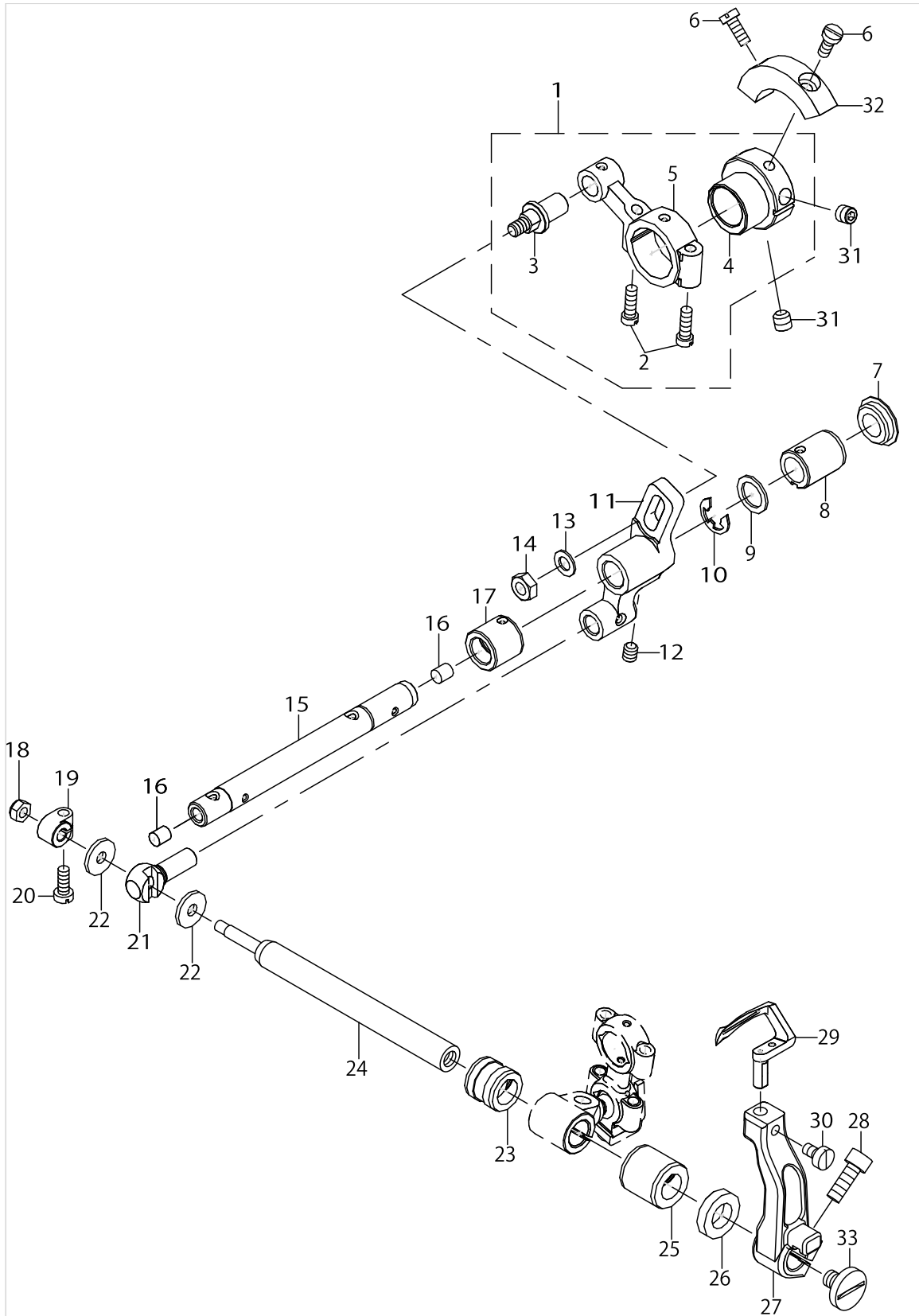
NEEDLE GUARD COMPONENTS



NEEDLE GUARD COMPONENTS

No.	Parts No.	Parts name	Remarks	Level	Cons	Qty
1	40018947	NDL_GUARD_CAM_ASSY				1
2	SM8060612TP	SCREW M6 L=6		*		2
3	SM6041202TP	SCREW M4X0.7 L=12		*		2
4	SM8040412TP	SET SCREW M4 L=4		*		1
5	40018923	NDL_GUARD_CAM		*		1
6	13334107	NDL_GUARD_CONN_ROD		*		1
7	TA1600406R0	PRUG				1
8	RE0700000K0	E-RING 7				1
9	WP1021026SH	WASHER				1
10	13334909	BUSHING_NDL_GUARD_A				1
11	13334206	NDL_GUARD_DRIVE_LEVER				1
12	SM8050412TP	SCREW M5 L=4				2
13	13334404	SHAFT_NEEDLE_GUARD				1
14	RC0650811KP	RETAINING_RING				1
15	13335005	BUSHING_NDL_GUARD_B				1
16	13335203	OIL_SEAL				1
17	13334503	REAR_NDL_GUARD HOLDER				1
18	SM6050800SP	SCREW M5 L=8				1
19	13334602	REAR_NDL_GUARD				1
20	SM6040800SP	SCREW				1
21	13334701	FRONT_NDL_GUARD				1
22	SM4850455SP	SCREW				1
23	SB120001500	BEARING				1
24	13334305	PIN_NDL_GUARD				1
25	RO148240200	RUBBER_RING				1

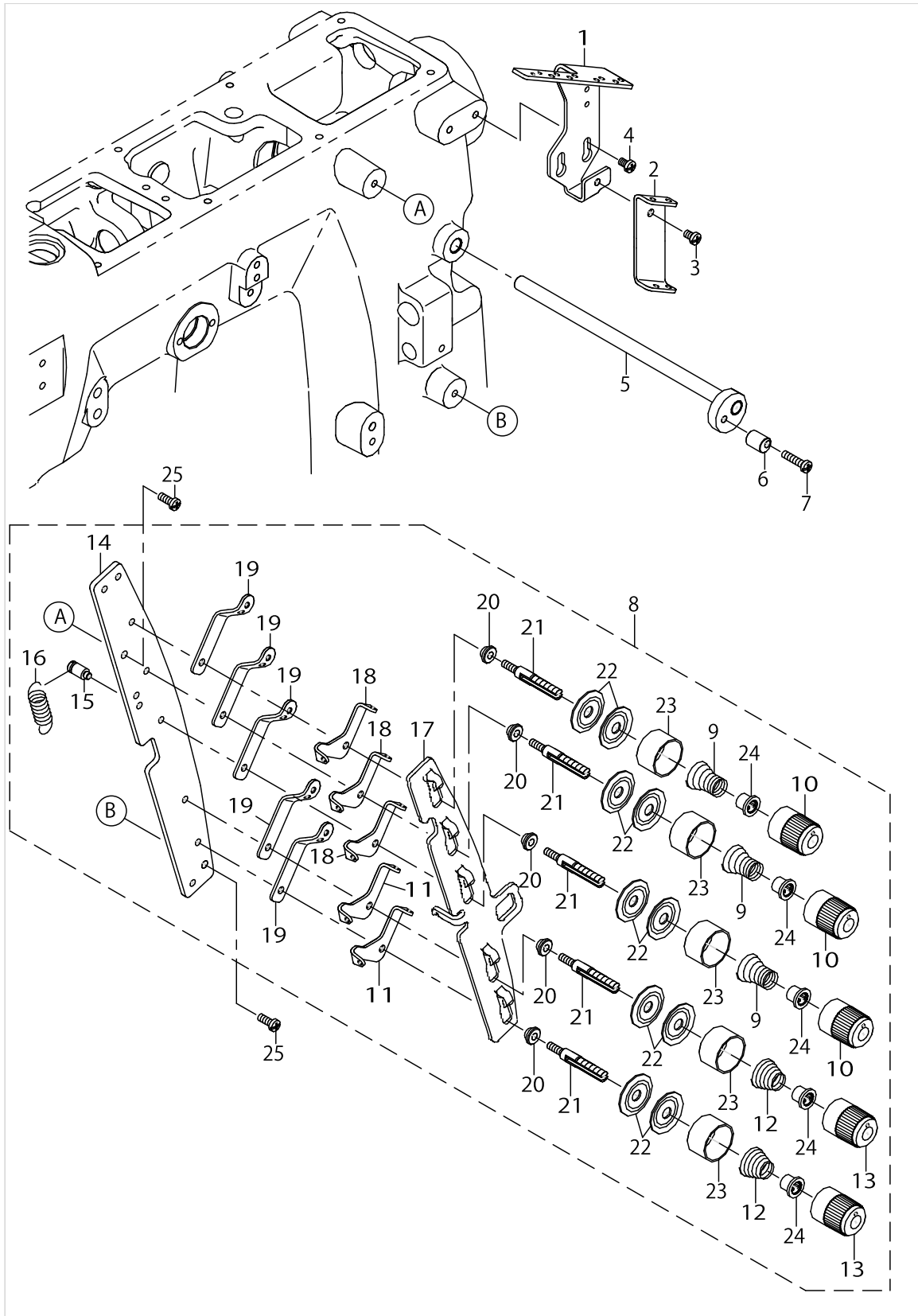
LOOPER COMPONENTS



LOOPER COMPONENTS

No.	Parts No.	Parts name	Remarks	Level	Cons	Qty
1	13337357	ECC_LOOPER_AVOID_ASSY				1
2	SM6041202TP	SCREW M4X0.7 L=12		*		2
3	13337506	PIN LOOPER AVOID		*		1
4	13337308	ECC LOOPER AVOID		*		1
5	13337407	LOOPER ROD AVOID		*		1
6	SM6041000SP	SCREW M4 L=10				2
7	TA1600406R0	PRUG				1
8	13338702	BUSHING LPR RIGHT				1
9	WP1021026SH	WASHER				1
10	RE0700000K0	E-RING 7				1
11	13337605	CRANK LOOPER AVOID				1
12	SM8050612TP	SCREW M5X6				1
13	WP0550800SP	WASHER 5.5X10X0.8				1
14	NM6050001SP	NUT M5				2
15	13338504	LOOPER SHAFT AVOID				1
16	TA0500601M0	PLUG D=5X5.4 L=6				2
17	13338603	BUSHING LPR LEFT				1
18	13338306	LOCK NUT				1
19	13337704	COLLAR LOOPER AVOID				1
20	SM6041000SP	SCREW M4 L=10				1
21	13337803	LOOPER AVOID PIN				1
22	WP0461516SH	WASHER				2
23	13338009	BUSHING LPR SHAFT REAR				1
24	40050448	LOOPER_SHAFT				1
25	13338108	BUSHING LPR SHAFT FRT				1
26	13338900	OIL SEAL				1
27	40050449	LOOPER_HOLDER				1
28	SM6051402TP	SCREW M5X0.8 L=14				1
29	13337902	LOOPER				1
30	SM6040750TP	SCREW M4 L=7				1
31	SM8060612TP	SCREW M6 L=6				2
32	13338801	BALANCE_WEIGHT_LP				1
33	40052522	SCREW				1

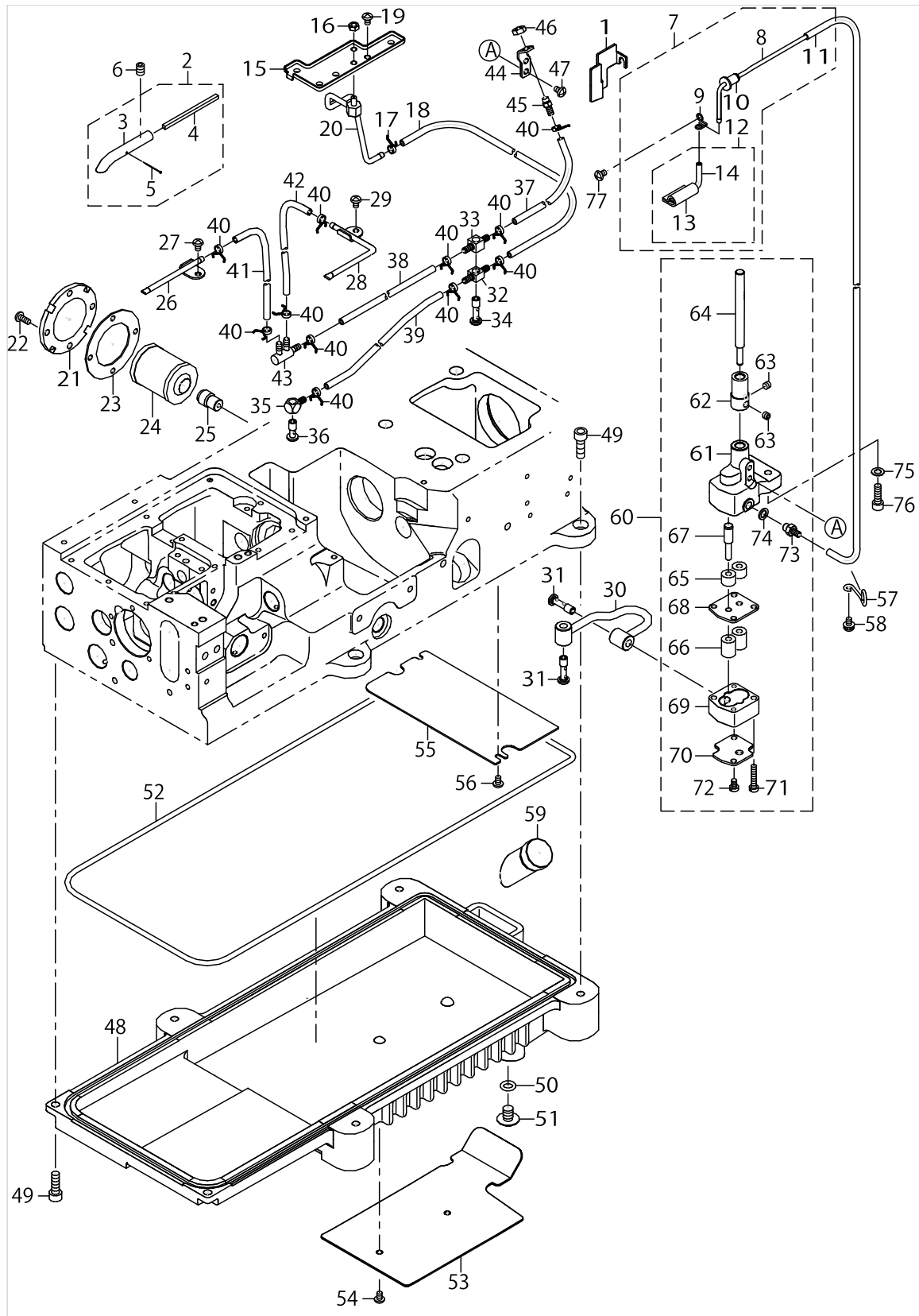
THREAD TENSION COMPONENTS



THREAD TENSION COMPONENTS

No.	Parts No.	Parts name	Remarks	Level	Cons	Qty
1	13340005	THREAD GUIDE PLATE				1
2	13340104	THREAD GUIDE				1
3	SM4040655SP	SCREW M4 L=6				1
4	SM4040655SP	SCREW M4 L=6				2
5	13341359	ASSY PULL OFF LEVER				1
6	13341409	TENS RELEASE ADJ ECC				1
7	SM4041655SP	SCREW M4 L=16				1
8	40066136	THREAD_TENSION_ASSY				1
9	13140504	TENSION SPRING		*		3
10	13340906	KNOB GREEN		*		3
11	13340500	TENSION DISC EYELET		*		2
12	B3121804000	TENSION SPRING		*		2
13	40042363	KNOB		*		2
14	13340203	TENSION POST SUPPORT		*		1
15	13340302	SHOULDER SCREW		*		1
16	B2008372000	THREAD TENSION SPRING		*		1
17	40065784	TENSION_DISC_SEPARATOR		*		1
18	13341607	TENSION_DISC_EYELET_2		*		3
19	13340609	THREAD LEAD IN GUIDE		*		5
20	13340708	SPACER		*		5
21	40042362	TENSION POST		*		5
22	13138201	THREAD TENSION DISK		*		10
23	40042366	THREAD TENSION DISK PRESSER		*		5
24	40042365	SPRING BUSHING		*		5
25	SM4041055SP	SCREW				2

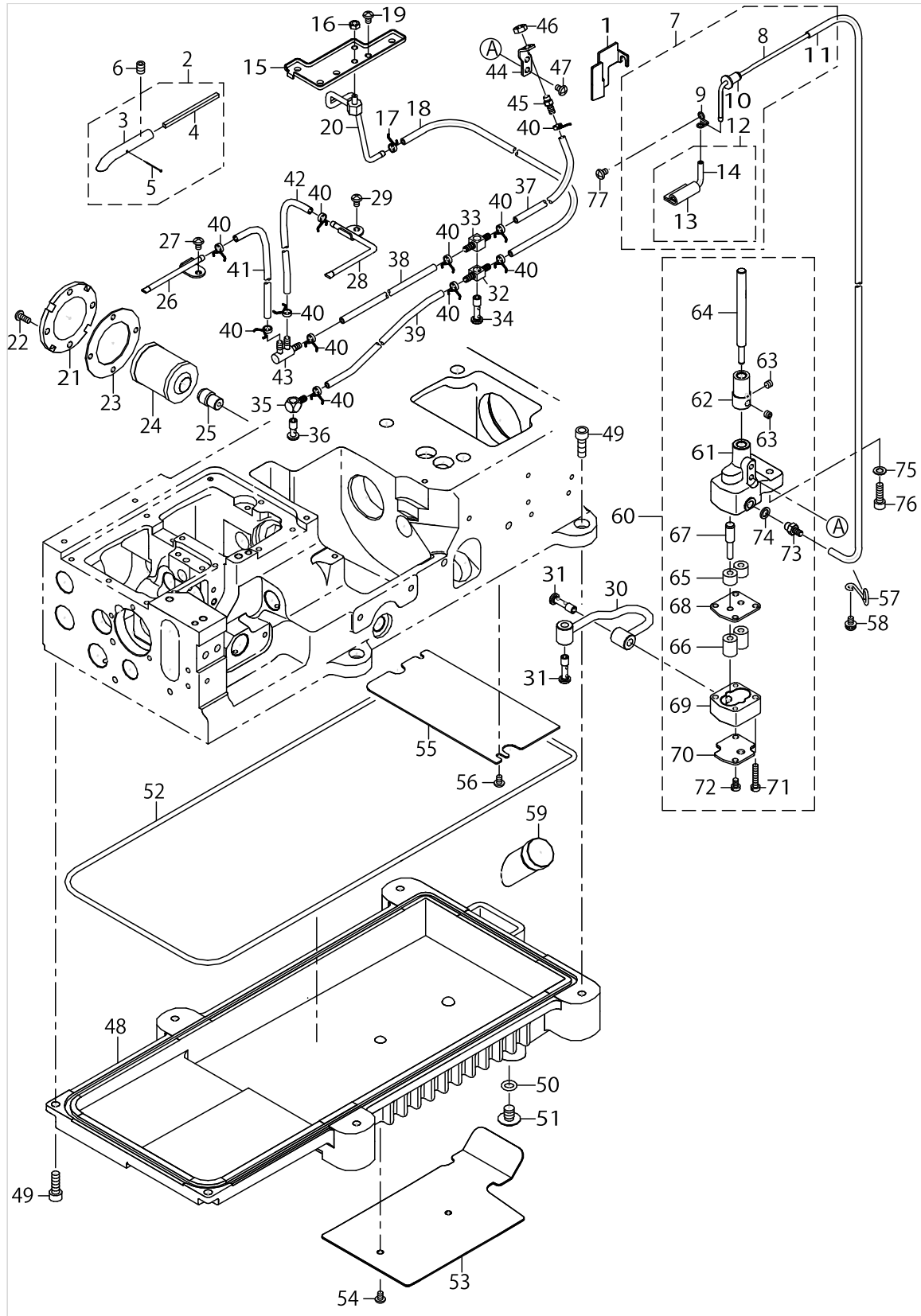
LUBRICATION COMPONENTS



LUBRICATION COMPONENTS

No.	Parts No.	Parts name	Remarks	Level	Cons	Qty
1	13343900	OIL_PROTECTION_SHIELD				1
2	13343652	ASSY_OIL_TUBE				1
3	13343603	OIL TUBE		*		1
4	13344205	FELT_FOR_HEAD_LUB		*		1
5	11856101	NEEDLE COOLER PIN		*		1
6	SM8060812TP	SCREW M6 L=8				1
7	13344056	ASSY_HEAD_SUCTION				1
8	13344601	SUCTION PIPE		*		1
9	13344502	PIPE CLAMP		*		1
10	13344700	BUSHING FOR SUCTION		*		1
11	23630007	TUBE		*		0.43
12	13344155	FELT_FOR_HEAD_SUCTION_2		*		1
13	40019163	FELT_FOR_HEAD_SUCTION		*		1
14	13346408	OIL_TUBE FOR SUCTION		*		1
15	40028110	OIL_SAUCER				1
16	NM6040001SP	NUT M4X0.7				1
17	23629306	PIPE STOPPER A				1
18	BP30000010R	VINYL PIPE				0.5
19	SM4040655SP	SCREW M4 L=6				2
20	13345053	ASSY_OIL_SUPPLY_FOR_TOP				1
21	13345202	FILTER_COVER				1
22	SM4041055SP	SCREW				4
23	13344809	GASKET O				1
24	13142500	CARTRIDGE FILTER				1
25	13343801	FITTING FILTER				1
26	13346556	ASSY_OIL_SUPPLY				1
27	SM4040655SP	SCREW M4 L=6				1
28	13345855	OIL_SUPPLY_ASSY				1
29	SM4040655SP	SCREW M4 L=6				1
30	13346259	ASSY_OIL_PIPE				1
31	SQ2060442SD	CONNECTING SCREW				2
32	SQ0000454MZ	CONNECTING SCREW				1
33	SQ0000453MZ	CONNECTING SCREW				1
34	SQ2060442SD	CONNECTING SCREW				1
35	SQ0000452MZ	CONNECTING SCREW				1
36	SQ2060441SD	CONNECTING SCREW				1
37	BP30000010R	VINYL PIPE				0.14
38	BP30000010R	VINYL PIPE				0.12
39	BP30000010R	VINYL PIPE				0.19
40	23629306	PIPE STOPPER A				11
41	BP30000010R	VINYL PIPE				0.13
42	BP30000010R	VINYL PIPE				0.11
43	23629504	DISTRIBUTOR				1
44	13346705	CONNECTING_SCR_BRACKET				1
45	SQ2050452MZ	CONNECTING SCREW				1
46	NM6050001SP	NUT M5				1
47	SM4040655SP	SCREW M4 L=6				2

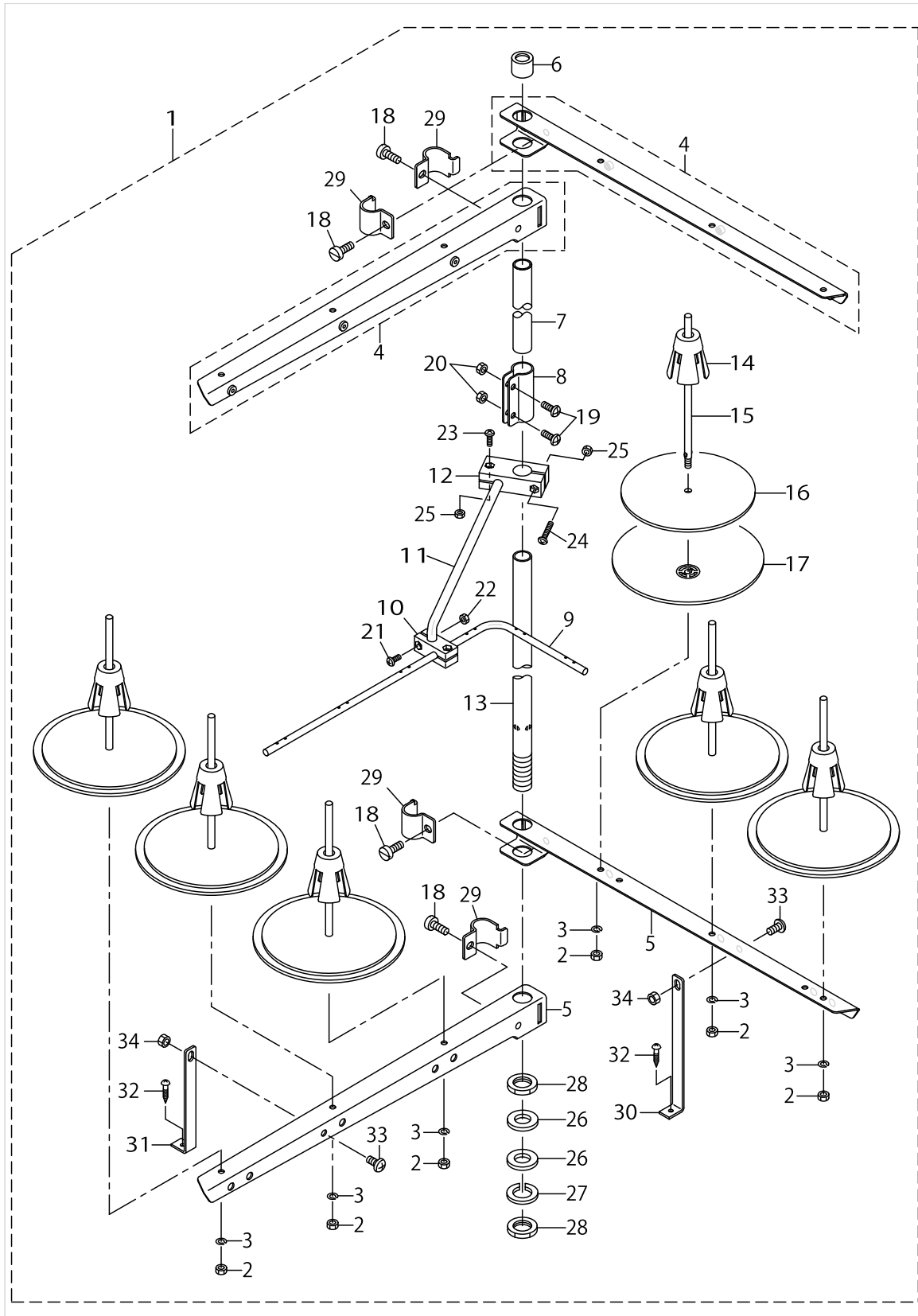
LUBRICATION COMPONENTS



LUBRICATION COMPONENTS

No.	Parts No.	Parts name	Remarks	Level	Cons	Qty
48	13345509	OIL PAN				1
49	SM6061802TP	SCREW M6 L=18				6
50	13170105	RUBBER RING				1
51	SM0081001SD	SCREW				1
52	13345608	O RING				1
53	13346309	BREEZE_PLATE				1
54	SM4040655SP	SCREW M4 L=6				2
55	13345905	COVER PLATE				1
56	SM4040655SP	SCREW M4 L=6				2
57	13346606	OIL_TUBE HOLDER				1
58	SL4040805SC	SCREW				1
59	13346101	OIL SIGHT GAUGE				1
60	13345459	ASSY_PUMP_2-STAGE				1
61	13343108	OIL PUMP HOUSING		*		1
62	13343009	WORM WHEEL		*		1
63	SM8050412TP	SCREW M5 L=4		*		2
64	13345400	OIL PUMP SHAFT LARGE		*		1
65	13228309	PINION GEAR, SMALL		*		2
66	13228200	OIL PUMP PINION, LARGE		*		2
67	13227905	GEAR PUMP SHAFT, SMALL		*		1
68	13343405	OIL PUMP SPACER		*		1
69	13343207	OIL PUMP CASING		*		1
70	13343306	OIL PUMP COVER		*		1
71	SM6042000SP	SCREW		*		2
72	SM6040600SP	SCREW M4 L=6		*		2
73	SQ2060451MZ	CONNECTING SCREW		*		1
74	40004749	GASKET		*		1
75	WP0550800SP	WASHER 5.5X10X0.8				2
76	SM6051602TP	SCREW M5X0.8 L=16				2
77	SM4040655SP	SCREW M4 L=6				1

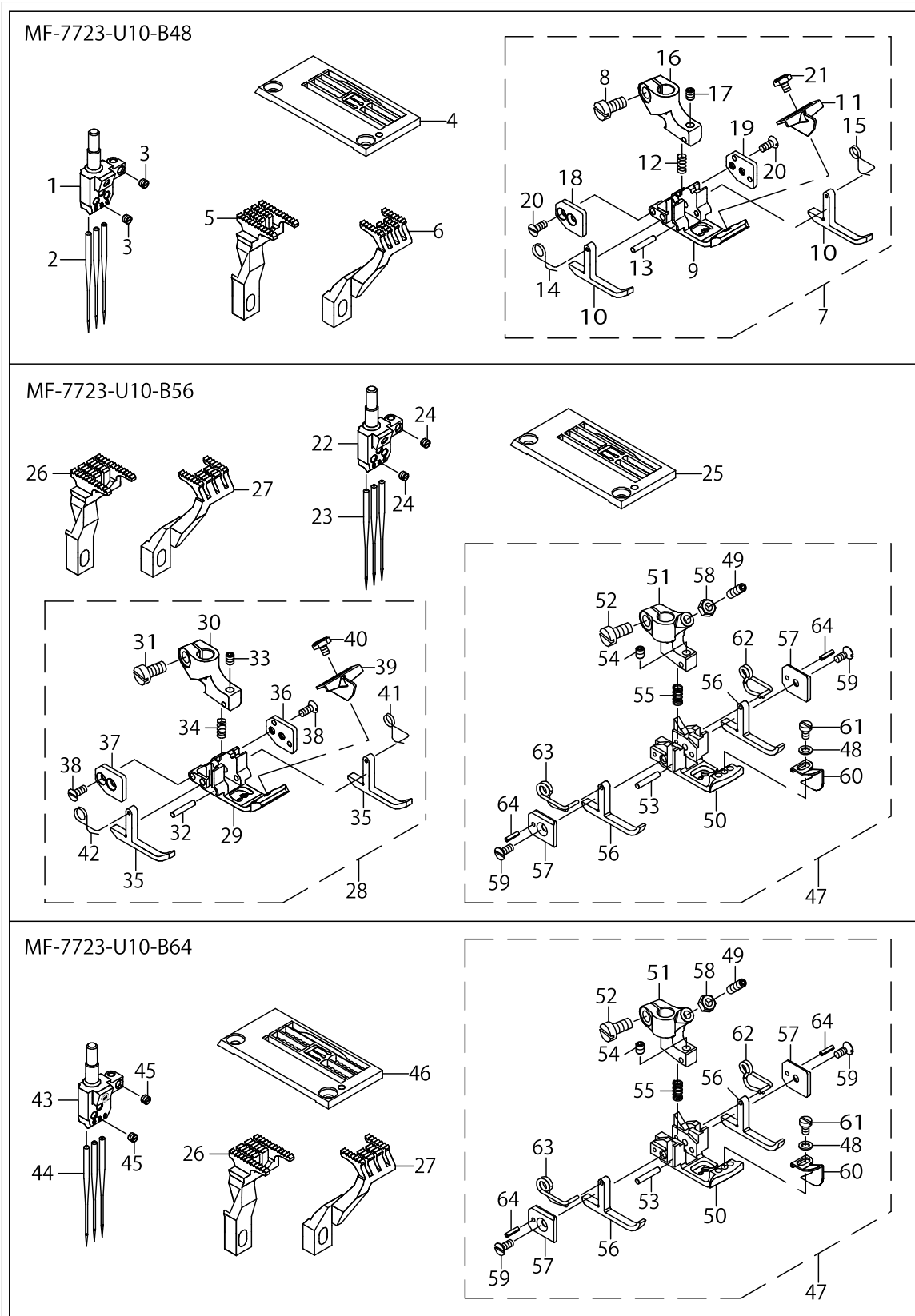
THREAD STAND COMPONENTS



THREAD STAND COMPONENTS

No.	Parts No.	Parts name	Remarks	Level	Cons	Qty
1	40072506	THREAD_STAND_ASM.				1
2	NM6050001SE	NUT M5		*		6
3	WS0510002KN	SPRING WASHER		*		6
4	13168356	THREAD STANDING ARM ASM. ,LONG		*		2
5	13168802	THREAD STANDING ARM ,LONG		*		2
6	22931406	THREAD STANDING ROD RUBBER CAP		*		1
7	22930408	THREAD STANDING ROD, UPPER		*		1
8	22931307	THREAD STANDING ROD JOINT		*		1
9	13167903	THREAD GUIDE		*		1
10	13168000	THREAD GUIDE BASE, LOWER		*		1
11	40056675	THREAD_GUIDE_ARM_BASE		*		1
12	13168208	THREAD GUIDE ARM BASE		*		1
13	22930309	THREAD STANDING ROD, LOWER		*		1
14	22931109	SPOOL RETAINER		*		6
15	22931000	SPOOL PIN		*		6
16	22930903	SPOOL REST CUSHION		*		6
17	22930804	SPOOL REST		*		6
18	SM6061610SC	SCREW M6 L=16		*		4
19	SM4051405SE	SCREW M5 L=14		*		2
20	NM6050001SE	NUT M5		*		2
21	SM4041001SC	SCREW M4X0.7 L=10		*		2
22	NM6040002SE	NUT M4X0.7		*		2
23	SM4041201SC	SCREW M4 L=12		*		1
24	SM4042001SC	SCREW M4 X 20		*		1
25	NM6040002SE	NUT M4X0.7		*		2
26	WP1612616SE	WASHER 16X30X2.6		*		2
27	WS1643202KR	SPRING WASHER		*		1
28	NM6160511SE	NUT M16X1.5		*		2
29	22930705	THREAD GUIDE ARM JOINT		*		4
30	13168505	THREAD STANDING ARM SUPPORT B		*		1
31	13168406	THREAD STANDING ARM SUPPORT A		*		1
32	SK3382001SE	SCREW D=3.8 L=20		*		2
33	SM4061201SE	SCREW M6 L=12		*		2
34	NM6060001SE	NUT M6		*		2

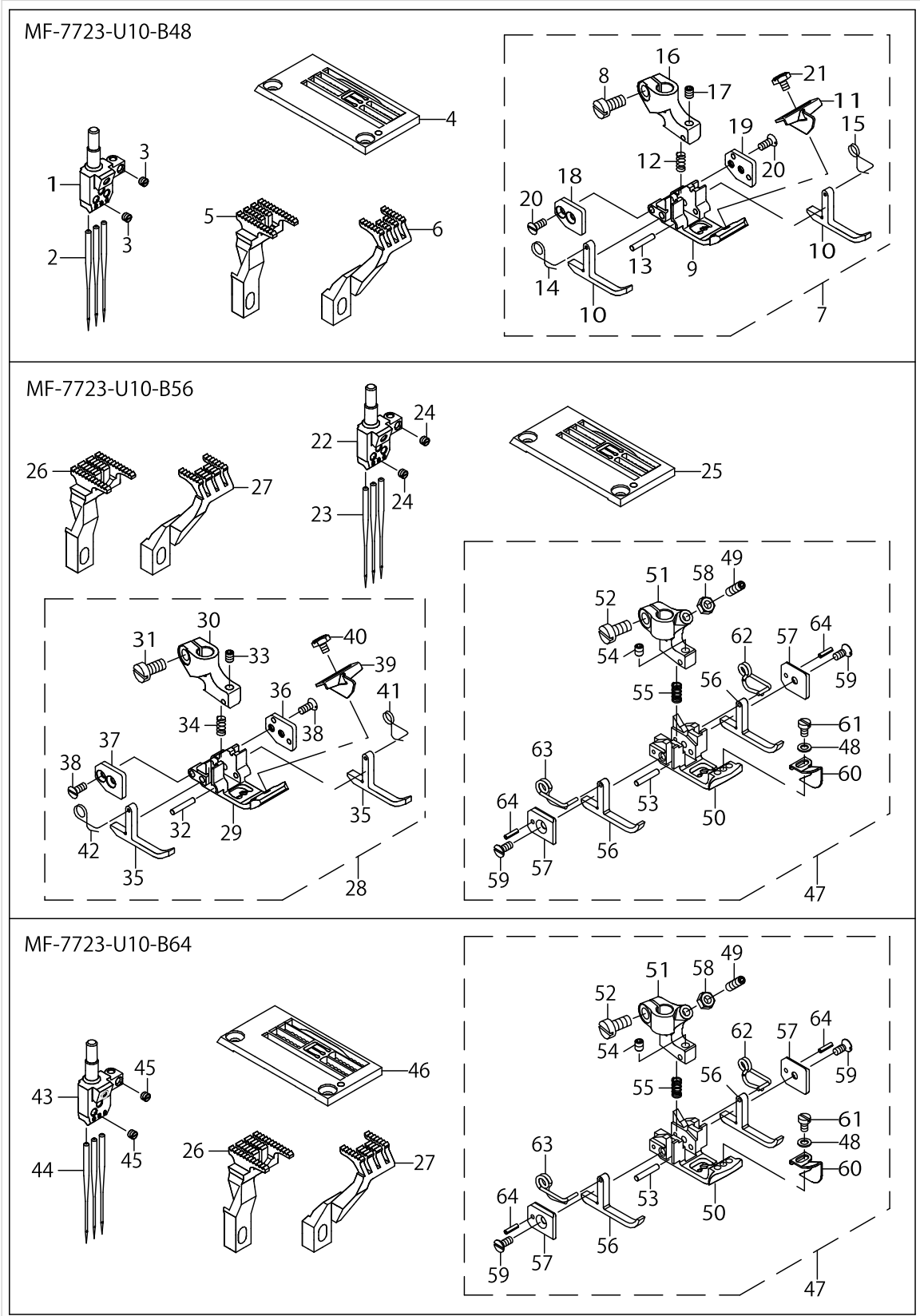
GAUGE PARTS COMPONENTS (1) (FOR MF-7700-U10)



GAUGE PARTS COMPONENTS (1) (FOR MF-7700-U10)

No.	Parts No.	Parts name	Remarks	Level	Cons	Qty
1	13350202	NEEDLE_HEAD_48				1
2	MUY128S1000	NEEDLE UYX128GAS #10				3
3	SM8030350TP	SCREW				4
4	40040514	THROAT PLATE				1
5	13354204	MAIN FEED DOG				1
6	13358304	DIFF_FEED_DOG				1
7	13376058	PRESSER_FOOT_ASSY				1
8	SM6040800SP	SCREW		*		1
9	13376009	PRESSER_FOOT_BOTTOM		*		1
10	13375100	P_F_YIELDING_SECTION		*		2
11	13376900	PRESSER_FOOT_GUIDE		*		1
12	13377106	SPRING		*		1
13	13375209	PIVOT_PIN		*		1
14	13375308	SPRING_L		*		1
15	13375407	SPRING_R		*		1
16	13375506	PRESSER_FOOT_HINGE		*		1
17	SM8030412TP	SCREW		*		1
18	13375605	GUIDE_PLATE_L		*		1
19	13375704	GUIDE_PLATE_R		*		1
20	SM1850600SP	SCREW		*		4
21	13377007	SCREW		*		1
22	13350301	NEEDLE_HEAD_56				1
23	MUY128S1000	NEEDLE UYX128GAS #10				3
24	SM8030350TP	SCREW				4
25	40058033	THROAT_PLATE				1
26	13353701	MAIN_FEED_DOG				1
27	13357603	DIFF_FEED_DOG				1
28	13375050	PRESSER_FOOT_ASSY	TYPE TURKEY			1
29	13375001	PRESSER_FOOT_BOTTOM		*		1
30	13375506	PRESSER_FOOT_HINGE		*		1
31	SM6040800SP	SCREW		*		1
32	13375209	PIVOT_PIN		*		1
33	SM8030412TP	SCREW		*		1
34	13377106	SPRING		*		1
35	13375100	P_F_YIELDING_SECTION		*		2
36	13375704	GUIDE_PLATE_R		*		1
37	13375605	GUIDE_PLATE_L		*		1
38	SM1850600SP	SCREW		*		4
39	13376900	PRESSER_FOOT_GUIDE		*		1
40	13377007	SCREW		*		1
41	13375407	SPRING_R		*		1
42	13375308	SPRING_L		*		1
43	13350400	NEEDLE_HEAD_64				1
44	MUY128S1000	NEEDLE UYX128GAS #10				3
45	SM8030350TP	SCREW				4
46	40040513	THROAT PLATE				1
47	40082974	PRESSER_FOOT_ASSY	EXCEPT TYPE TURKEY			1

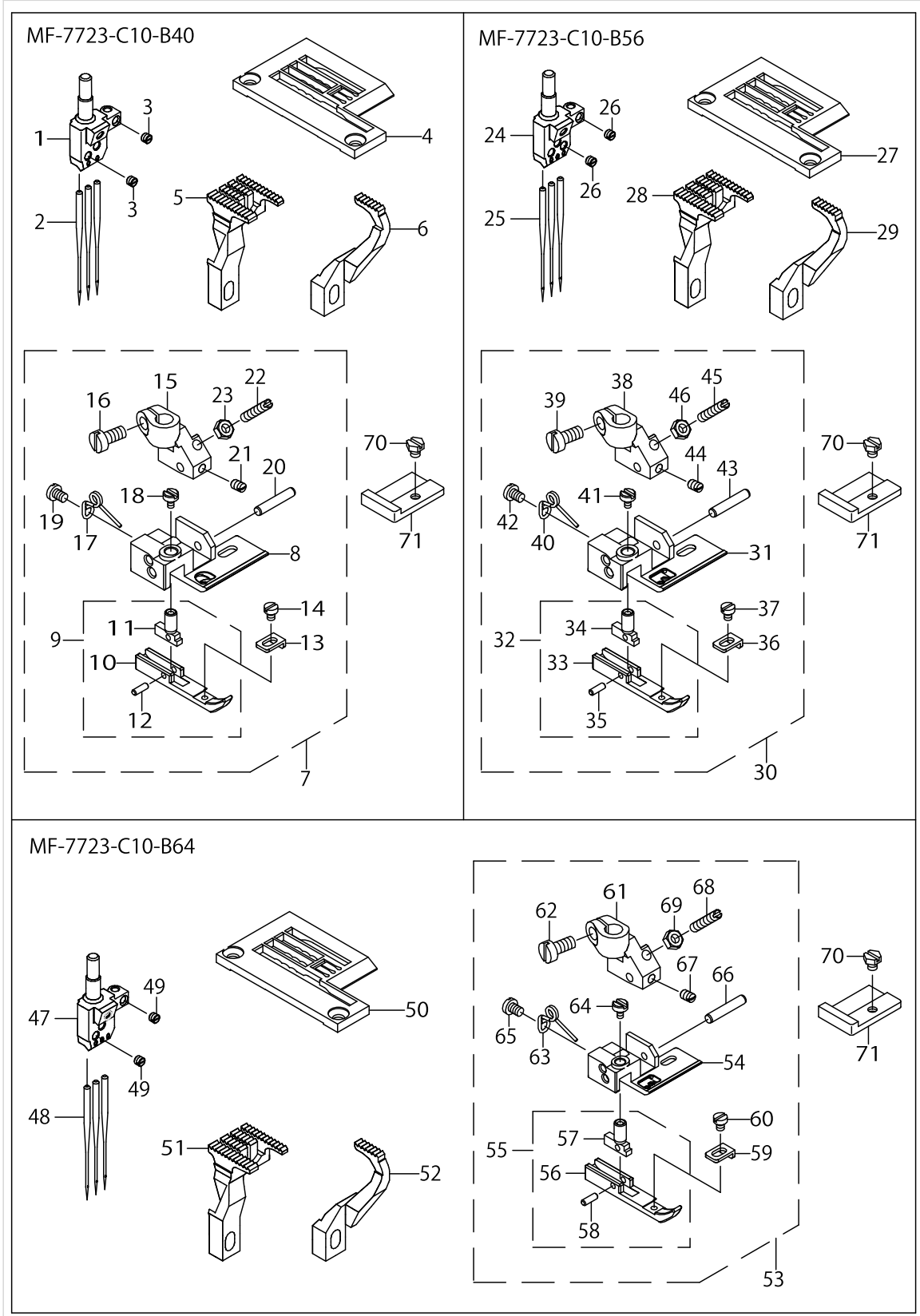
GAUGE PARTS COMPONENTS (1) (FOR MF-7700-U10)



GAUGE PARTS COMPONENTS (1) (FOR MF-7700-U10)

No.	Parts No.	Parts name	Remarks	Level	Cons	Qty
48	WP0280500SC	WASHER		*		1
49	SM8031002TP	SCREW		*		1
50	40082975	PRESSER_FOOT_BOTTOM		*		1
51	40070224	PRESSER_FOOT_HINGE		*		1
52	SM6040800SP	SCREW		*		1
53	13375209	PIVOT_PIN		*		1
54	SM8030412TP	SCREW		*		1
55	13377106	SPRING		*		1
56	40070226	P_F_YIELDING_SECTION		*		2
57	40070227	GUIDE_PLATE		*		2
58	NM6030001SD	NUT M3X0.5		*		1
59	SM1850600SP	SCREW		*		2
60	40070231	PRESSER_FOOT_GUIDE		*		1
61	SM6850400SP	SCREW M2.5 L=4		*		1
62	40070230	SPRING_R		*		1
63	40070229	SPRING_L		*		1
64	PS0150065KP	SPRING PIN 1.5X6		*		2

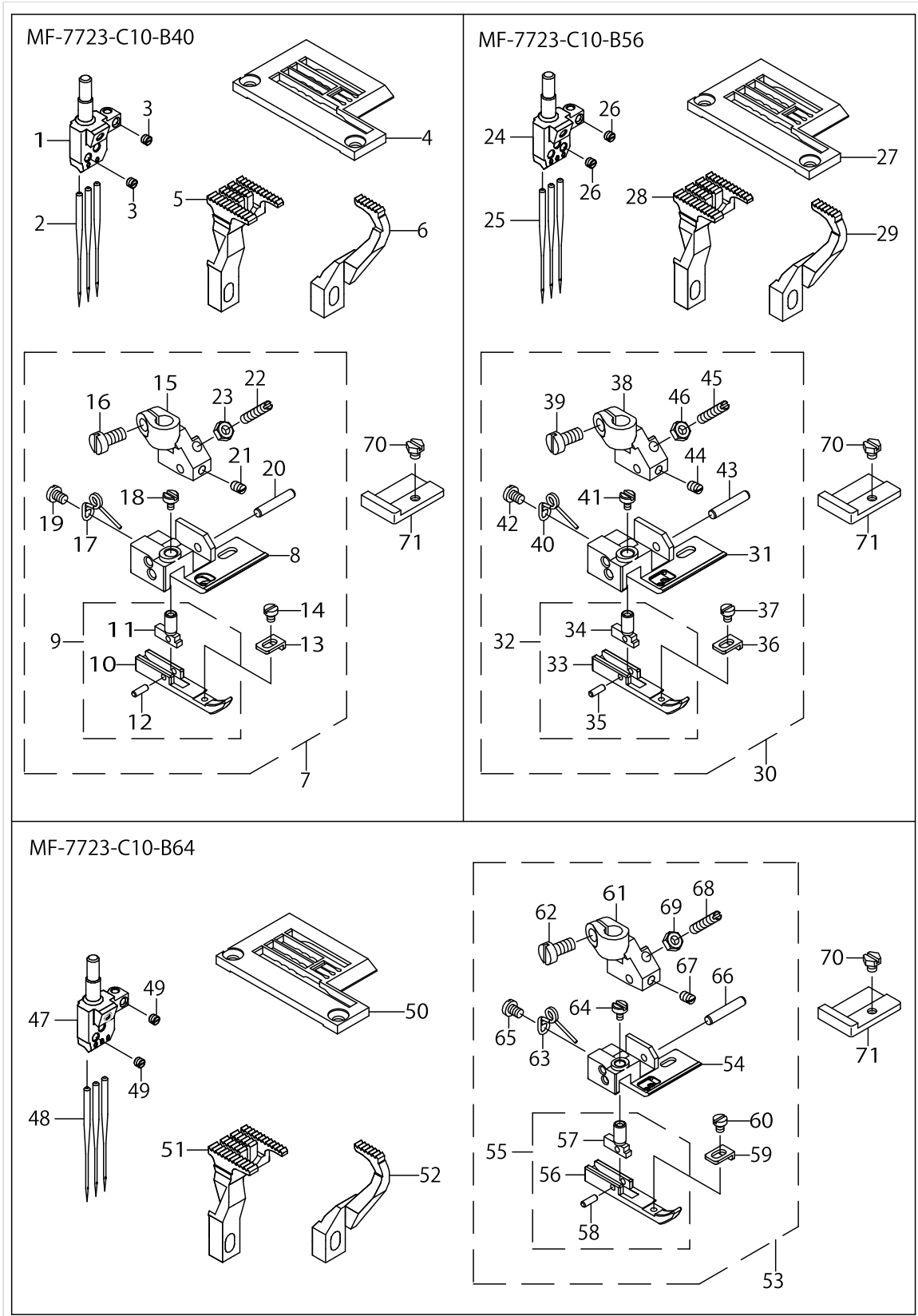
GAUGE PARTS COMPONENTS (2) (FOR MF-7700-C10)



GAUGE PARTS COMPONENTS (2) (FOR MF-7700-C10)

No.	Parts No.	Parts name	Remarks	Level	Cons	Qty
1	13350103	NEEDLE_HEAD_40				1
2	MUY128S1000	NEEDLE UYX128GAS #10				2
3	SM8030350TP	SCREW				3
4	13351408	THROAT_PLATE				1
5	13353800	MAIN_FEED_DOG				1
6	13357702	DIFF_FEED_DOG				1
7	40056504	PRESSER_FOOT_ASSEMBLY				1
8	40056505	PRESSER_FOOT_BOTTOM_40		*		1
9	40056412	YIELDING_SECTION_ASSEMBLY		*		1
10	40056403	YIELDING_SECTION		*		1
11	13377205	YIELDING_SECTION_SHANK		*		1
12	13377304	PIVOT_PIN		*		1
13	40056404	PRESSER_FOOT_GUIDE		*		1
14	SM6850300SP	SCREW M2.5 L=3		*		1
15	13376504	PRESSER_FOOT_SHANK		*		1
16	SM6040800SP	SCREW		*		1
17	13376603	YIELDING_SECTION_SPRING		*		1
18	13376702	THREAD_SPRING_SCREW		*		1
19	SM4030455SP	SCREW		*		1
20	PH0300162C0	PARALLEL PIN 3X16		*		1
21	SM8030500SP	SCREW		*		1
22	13376801	SCREW_FOR_PRESSER_FOOT		*		1
23	NM6030001SD	NUT M3X0.5		*		1
24	13350301	NEEDLE_HEAD_56				1
25	MUY128S1000	NEEDLE UYX128GAS #10				3
26	SM8030350TP	SCREW				4
27	13351606	THROAT_PLATE				1
28	13353909	MAIN_FEED_DOG				1
29	13357801	DIFF_FEED_DOG				1
30	40056410	PRESSER_FOOT_ASSEMBLY				1
31	40056405	PRESSER_FOOT_BOTTOM_56		*		1
32	40056412	YIELDING_SECTION_ASSEMBLY		*		1
33	40056403	YIELDING_SECTION		*		1
34	13377205	YIELDING_SECTION_SHANK		*		1
35	13377304	PIVOT_PIN		*		1
36	40056404	PRESSER_FOOT_GUIDE		*		1
37	SM6850300SP	SCREW M2.5 L=3		*		1
38	13376504	PRESSER_FOOT_SHANK		*		1
39	SM6040800SP	SCREW		*		1
40	13376603	YIELDING_SECTION_SPRING		*		1
41	13376702	THREAD_SPRING_SCREW		*		1
42	SM4030455SP	SCREW		*		1
43	PH0300162C0	PARALLEL PIN 3X16		*		1
44	SM8030500SP	SCREW		*		1
45	13376801	SCREW_FOR_PRESSER_FOOT		*		1
46	NM6030001SD	NUT M3X0.5		*		1
47	13350400	NEEDLE_HEAD_64				1

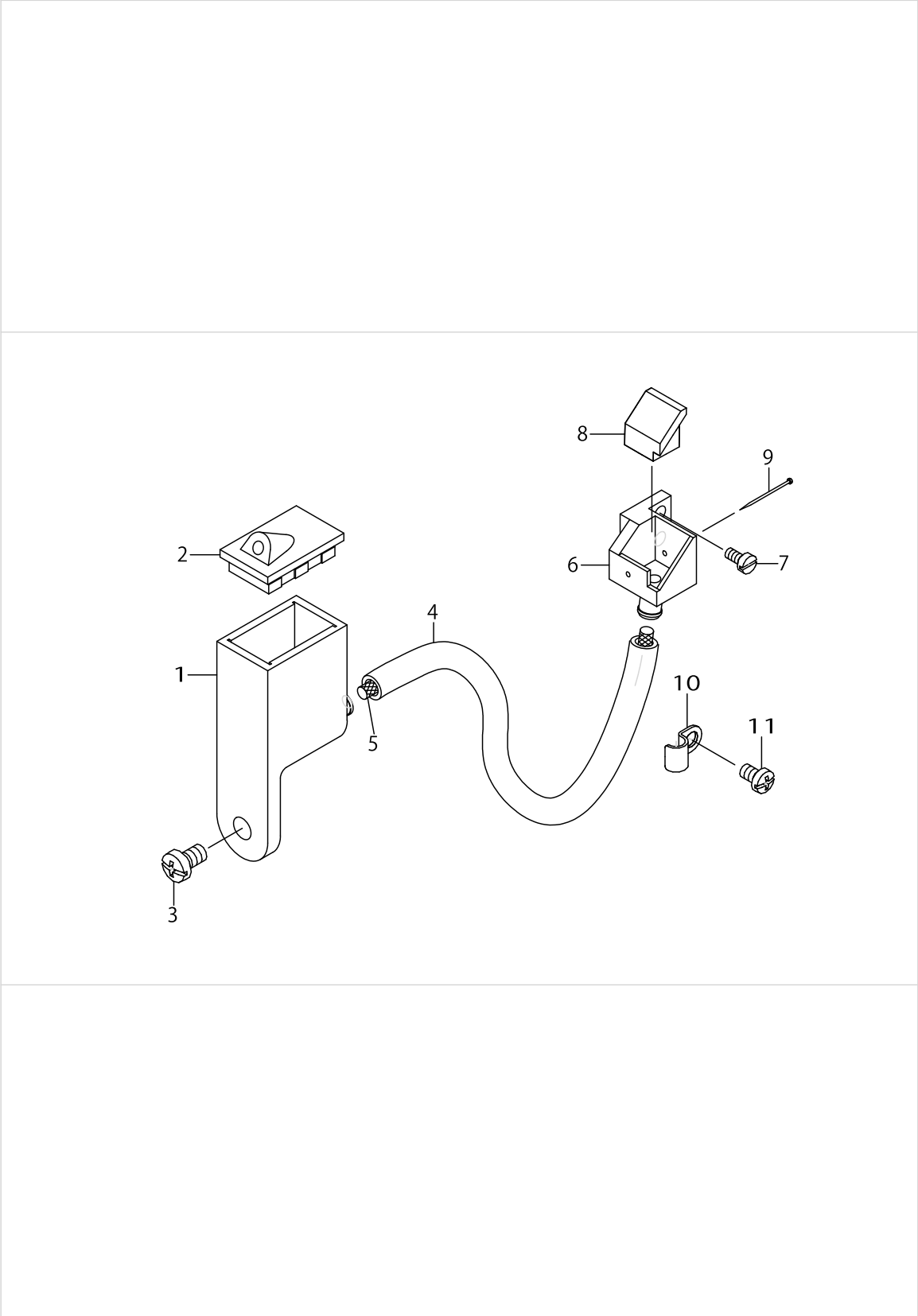
GAUGE PARTS COMPONENTS (2) (FOR MF-7700-C10)



GAUGE PARTS COMPONENTS (2) (FOR MF-7700-C10)

No.	Parts No.	Parts name	Remarks	Level	Cons	Qty
48	MUY128S1000	NEEDLE UYX128GAS #10				3
49	SM8030350TP	SCREW				4
50	13351705	THROAT_PLATE				1
51	13353909	MAIN_FEED_DOG				1
52	13357801	DIFF_FEED_DOG				1
53	40056411	PRESSER_FOOT_ASSEMBLY				1
54	40056406	PRESSER_FOOT_BOTTOM_64		*		1
55	40056412	YIELDING_SECTION_ASSEMBLY		*		1
56	40056403	YIELDING_SECTION		*		1
57	13377205	YIELDING_SECTION_SHANK		*		1
58	13377304	PIVOT_PIN		*		1
59	40056404	PRESSER_FOOT_GUIDE		*		1
60	SM6850300SP	SCREW M2.5 L=3		*		1
61	13376504	PRESSER_FOOT_SHANK		*		1
62	SM6040800SP	SCREW		*		1
63	13376603	YIELDING_SECTION_SPRING		*		1
64	13376702	THREAD_SPRING_SCREW		*		1
65	SM4030455SP	SCREW		*		1
66	PH0300162C0	PARALLEL PIN 3X16		*		1
67	SM8030500SP	SCREW		*		1
68	13376801	SCREW_FOR_PRESSER_FOOT		*		1
69	NM6030001SD	NUT M3X0.5		*		1
70	13378005	SCREW	OPTIONAL PARTS			1
71	40056407	TAPE_GUIDE	OPTIONAL PARTS			1

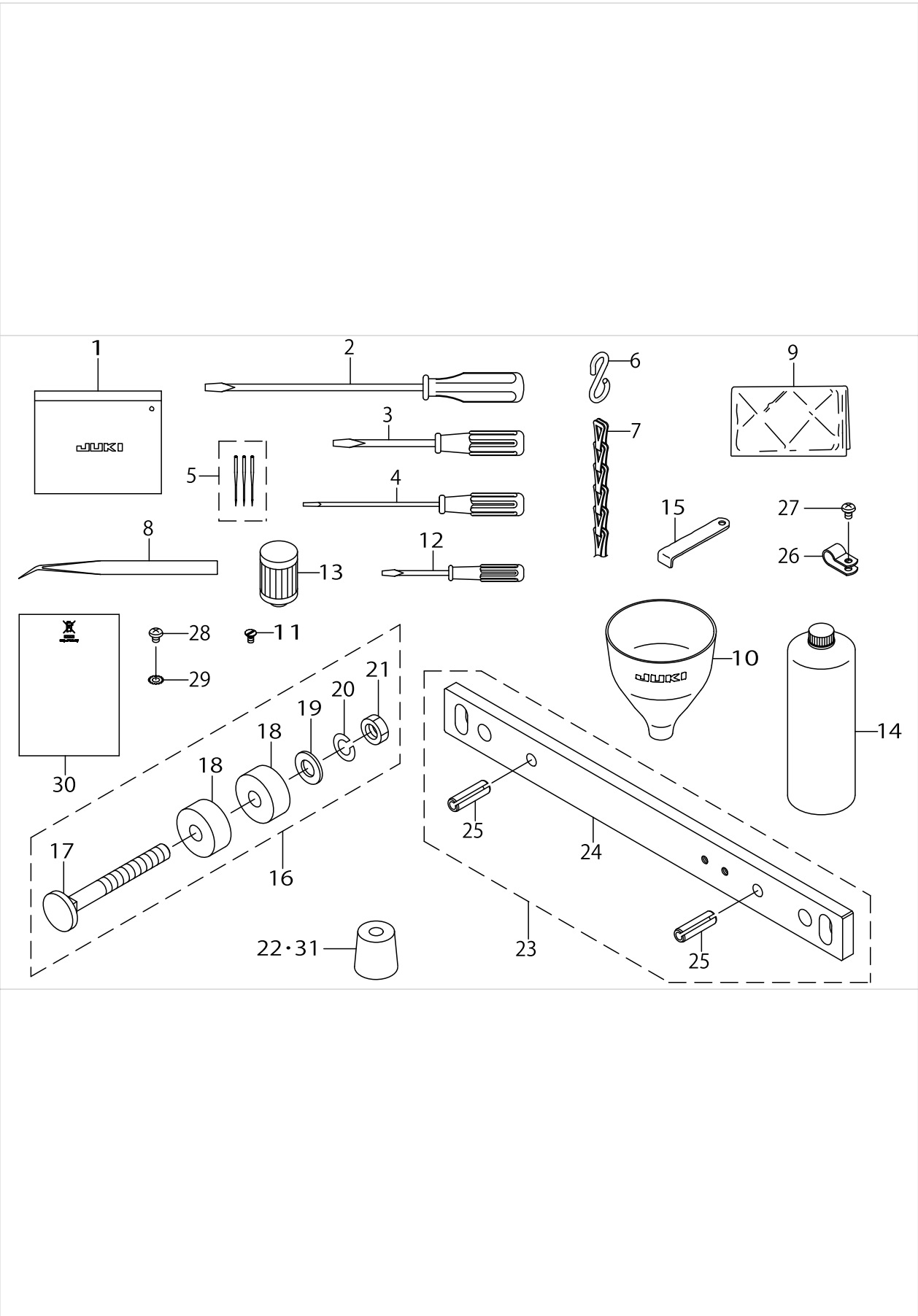
NEEDLE COOLING MECHANISM COMPONENTS



NEEDLE COOLING MECHANISM COMPONENTS

No.	Parts No.	Parts name	Remarks	Level	Cons	Qty
1	40056919	SILICONE_OIL_TANK				1
2	13429105	SILICONE OIL TANK CAP				1
3	SM4050855SP	SCREW				1
4	BT0600402EA	OIL TUBE				0.15
5	CQ303000000	OIL WICK				0.3
6	13348206	SILICONE OIL CUP				1
7	SM6030600SP	SCREW M3X0.5 L=6				2
8	13348305	FELT				1
9	11856101	NEEDLE COOLER PIN				1
10	B3538112000	OIL RETURN TUBE HOLDER				1
11	SM4040655SP	SCREW M4 L=6				1

ACCESSORIES PARTS COMPONENTS



ACCESSORIES PARTS COMPONENTS

No.	Parts No.	Parts name	Remarks	Level	Cons	Qty
1	22932800	ACCESSORIE BAG				1
2	22933006	SCREW DRIVER,LARGE				1
3	22933105	SCREW DRIVER,MIDDLE				1
4	12347308	SCREW DRIVER (SMALL)				1
5	MUY128S1003	NEEDLE UYX128GAS #10-3				1
6	13160304	S SHAPED HOOK				2
7	26037903	CHAIN				1
8	12288403	TWEEZERS				1
9	22933303	VINYL COVER				1
10	13160601	FUNNEL				1
11	13302203	SCREW				1
12	22933204	SCREW DRIVER,SMALL				1
13	13142500	CARTRIDGE_FILTER				1
14	MML018900CA	JUKI MACHINE OIL 18				1
15	B9101490000	DRIVER				1
16	13348958	ASSY_BOLT				4
17	13348909	BOLT		*		1
18	13349006	SPACER		*		2
19	WP1102016SC	WASHER 11X21X2		*		1
20	WS1002560KR	SPRING WASHER 10X18X2.5		*		1
21	NM6100003SC	NUT M10		*		1
22	13155403	DUST-PROOF RUBBER				3
23	13348859	SUPPORT_PLATE_ASSY				2
24	13348800	SUPPORT PLATE		*		1
25	PS0800252KP	SPRING PIN		*		2
26	HX00150000C	CABLE CLIP				1
27	SM4040655SP	SCREW M4 L=6				1
28	WT0430002KN	WASHER M4				1
29	SM4040501SN	SCREW M4X0.7 L=5				1
30	CM600100201	WEEE INFORMATION SHEET				1
31	40072505	ISOLATOR				1

LIST FOR INFORMATION OF CHANGE (1)

As to the place changed, refer to the corresponding Rev.No.
 When previous parts(Obsoleted part)and new parts(Added parts)are
 not interchangeable with each other:
 In this case,even obsoleted parts(D.)can be ordered with the
 obsoleted part number,so select the parts with changed dates and
 place your orders.

変更箇所は、該当Rev.No.版をご参照ください。
 部品の互換性がない変更の場合は、削除された品番でも、ご注文できます。

13370200
 No.1376-04 Rev.No.

*A:Added parts追加部品/D:Obsoleted parts削除部品/E:Erratum訂正

* Rev. No.	Page 頁	Ref. No.	Parts No. 品番	* Rev. No.	Page 頁	Ref. No.	Parts No. 品番
D 03	2	3	SM-8040412-TP				
				A 04	2	3	400-62154
D 03	2	66	133-66109	A 04	2	66	400-66085
D 03	4	9	133-01106				
D 03	4	10	SM-6060800-SP				
D 03	4	11	133-01205				
D 03	4	31	133-01908				
D 03	4	32	133-02500				
				A 04	4	32	SM-6040750-TP
				A 04	4	33	400-82196
				A 04	4	51	TA-2351004-R0
D 03	8	24	133-13051	A 04	8	24	400-70573
D 03	8	28	133-13507	A 04	8	28	400-70559
D 03	8	35	SM-8040410-TP	A 04	8	35	SM-8040412-TP
D 03	8	68	SM-9062550-TP	A 04	8	68	SM-6062550-TP
D 03	12	21	133-20650	A 04	12	21	400-40206
D 03	12	23	133-20809	A 04	12	23	400-39630
D 03	12	27	132-13012	A 04	12	27	400-40207
D 03	12	35	133-21302	A 04	12	35	131-21603
				A 04	12	49	SM-7051460-TP
D 03	14	25	SM-8030350-TP	A 04	14	25	SM-8030312-TP
D 03	16	9	SM-8040410-TP	A 04	16	9	SM-8040412-TP
D 03	18	35	133-33802	A 04	18	35	400-56591
D 03	22	24	133-38207	A 04	22	24	400-50448
D 03	22	27	133-38405	A 04	22	27	400-50449
				A 04	22	33	400-52522
D 03	24	7	133-41508				
D 03	24	9	WP-0961046-SC				
D 03	24	10	133-40252	A 04	24	8	400-66136
D 03	24	13	133-41706	A 04	24	13	400-42363
D 03	24	17	133-40401	A 04	24	17	400-65784
D 03	24	21	133-40807	A 04	24	21	400-42362
D 03	24	22	229-28907	A 04	24	22	131-38201
D 03	24	23	131-37609	A 04	24	23	400-42366
D 03	24	24	131-37906	A 04	24	24	400-42365
D 03	26	15	133-43504	A 04	26	15	400-28110

HOW TO MAKE USE OF THIS PARTS LIST

1.Explanation of codes

1)"*"mark.....means this part is changed from the previous parts book.

As to the details of the change, refer to the "List for information of change".

2)"#01".....refer to "Note" explanation at bottom of page.

2.Codes on the "Qty" column

- Each numeral indicates the number of parts required.
- "0.1" and "2.5" indicate the length (in meters) of the respective parts.

3.Parentheses mean that the corresponding part is a subpart that constructs an assembly part.

4.Dotted lines on the Figures indicate assembly parts.

1."注記"欄の記号説明

1) "*"印.....前回のパーツブックに比較して今回変更された部品を意味します。

変更内容は、"変更情報リスト"を参照してください。

2) "#01".....ページ下の"注記"の説明を参照してください。

2.数量欄の数字は、個数を表し、0.1、2.5等の数値は、長さ（単位メートル）を表します。

3.数量欄の（ ）は、組部品を構成している子部品であることを意味します。

4.イラストページの-----枠は、組構成であることを意味します。

NUMERICAL INDEX OF PARTS

PART NO	PAGE	REF NO.	PART NO	PAGE	REF NO.	PART NO	PAGE	REF NO.
10753309	6	5	13302609	4	70	13308101	12	53
11856101	42	5	13302658	4	69	13308150	10	44
11856101	56	9	13302708	2	46	13308200	12	58
12288403	58	8	13302708	6	42	13308309	10	35
12347308	58	4	13303003	6	29	13308457	10	39
13121603	22	35	13303052	6	28	13308556	10	37
13123302	16	76	13303102	6	25	13308655	12	59
13123302	22	30	13303201	6	27	13308705	12	60
13138201	40	22	13303300	2	38	13308804	10	26
13140504	40	9	13303359	2	37	13309000	10	33
13142500	42	24	13303409	4	50	13309158	10	30
13142500	58	13	13303458	4	49	13309208	10	23
13155403	58	22·31	13303508	2	39	13309307	12	55~57
13160304	58	6	13303607	6	13	13309406	12	55~57
13160601	58	10	13303656	6	12	13311006	14	3
13167903	46	9	13303706	6	20	13311204	14	2
13168000	46	10	13303755	6	19	13311253	14	1
13168208	46	12	13303805	6	24	13311303	14	4
13168356	46	4	13303904	6	40	13311451	14	21
13168406	46	31	13304001	8	49	13311501	14	14
13168505	46	30	13304100	6	37	13311600	14	13
13168802	46	5	13304159	6	36	13311808	14	20
13170105	44	50	13304209	4	57	13311907	14	19
13217401	22	33	13304308	2	44	13311956	14	18
13217500	22	32	13304308	6	44	13312103	14	10~12
13217708	22	28	13304407	4	79	13312202	14	10~12
13227905	44	67	13304704	6	21	13312301	14	10~12
13228200	44	66	13304803	6	14	13313101	14	25
13228309	44	65	13304902	6	15	13313309	14	26
13300702	6	3	13305008	6	16	13313408	14	27
13300801	6	8	13305107	6	41	13313606	14	33
13300900	2	16	13305206	2	41	13313705	14	29
13300959	2	15	13305305	4	51	13313804	14	37
13301007	2	20	13307004	10	1	13313903	14	40
13301304	2	21	13307103	10	2	13313952	14	39
13301403	2	32	13307251	10	4	13314109	14	44
13301700	2	26	13307301	10	7	13314356	14	46
13301809	2	34	13307459	10	9	13314406	16	51
13302104	4	56	13307509	10	42	13314505	16	58
13302203	6	35	13307608	10	18	13314703	16	56
13302203	58	11	13307657	10	13	13314752	16	55
13302302	2	52	13307707	10	22	13314802	16	54
13302302	4	52	13307806	12	55~57	13314901	16	59
13302302	6	45	13307905	10	27	13315007	16	49
13302401	2	35	13308002	10	28	13315106	16	61

NUMERICAL INDEX OF PARTS

PART NO	PAGE	REF NO.	PART NO	PAGE	REF NO.	PART NO	PAGE	REF NO.
13315205	14	47	13321401	18	29	13326350	26	47
13315304	16	63	13321609	18	27	13326400	28	49
13315353	16	62	13321658	18	26	13326509	28	51
13315502	16	67	13321708	18	28	13326608	28	53
13315551	16	66	13321807	20	72	13326707	28	63
13315601	16	72	13321906	20	74	13326806	14	16
13315650	16	71	13322003	20	57	13326905	26	37
13315700	16	73	13322102	20	60	13327002	26	40
13315809	16	74	13322201	20	55	13327101	26	43
13315908	14	30	13322409	18	30	13328000	30	3
13316203	14	41	13322508	20	63	13328109	30	4
13316302	14	34	13322607	20	64	13328158	30	1
13317003	18	1	13322706	20	65	13328208	30	5
13317102	18	8	13322805	20	66	13328307	30	25
13317201	18	16	13322904	20	68	13328406	30	7
13317300	18	19	13323001	20	67	13328505	30	16
13317409	18	20~22	13323100	18	47	13328554	30	12
13317508	18	20~22	13323209	22	42	13328604	30	17
13317607	18	20~22	13323308	18	12~14	13328703	30	18
13317706	18	24	13323407	18	12~14	13328802	30	21
13317805	20	48	13323506	18	12~14	13329008	30	10
13317904	18	44	13323605	20	71	13329107	30	11
13318001	18	35	13323803	18	9	13329206	30	28
13318100	18	36	13324009	10	16	13329404	30	23
13318209	18	34	13324108	12	49	13331004	32	16
13318308	18	41	13324207	10	17	13331202	32	1
13318506	20	50	13324306	26	3	13331301	32	6
13318605	22	20	13324504	26	5	13331400	32	12
13318704	22	1~3	13324603	26	8	13332002	32	33
13318803	22	1~3	13324702	26	10	13332101	32	38
13318902	22	1~3	13324801	26	12	13332309	32	23
13319009	22	10	13324900	26	13	13332507	32	3~5
13319108	20	49	13325006	26	15	13332606	32	11
13319108	22	14	13325105	26	17	13332705	34	48
13319207	22	11	13325204	26	23	13332804	32	28
13319355	22	17	13325402	26	28	13332903	32	26
13319504	22	19	13325501	26	30	13333000	32	3~5
13319702	18	32	13325600	26	34	13333109	32	3~5
13319900	22	8	13325709	26	31	13333208	14	42
13319959	22	4	13325808	28	57	13333208	32	25
13320007	22	9	13325907	28	58	13333307	32	41
13320106	22	5	13326004	28	59	13333406	32	42
13320304	22	36	13326103	28	60	13333505	32	43
13320403	22	37	13326202	28	61	13333604	32	44
13321203	22	24	13326301	28	48	13333703	32	14

NUMERICAL INDEX OF PARTS

PART NO	PAGE	REF NO.	PART NO	PAGE	REF NO.	PART NO	PAGE	REF NO.
13334107	36	6	13343405	44	68	13353800	52	5
13334206	36	11	13343603	42	3	13353909	52	51
13334305	36	24	13343652	42	2	13353909	54	51
13334404	36	13	13343801	42	25	13354204	48	5
13334503	36	17	13343900	42	1	13357603	48	27
13334602	36	19	13344056	42	7	13357702	52	6
13334701	36	21	13344155	42	12	13357801	52	52
13334909	36	10	13344205	42	4	13357801	54	52
13335005	36	15	13344502	42	9	13358304	48	6
13335203	36	16	13344601	42	8	13365002	2	9
13337001	12	51	13344700	42	10	13365101	2	11
13337100	10	45	13344809	42	23	13365200	4	76
13337209	12	52	13345053	42	20	13365259	4	74
13337308	38	4	13345202	42	21	13365309	4	77
13337357	38	1	13345400	44	64	13365408	4	81
13337407	38	5	13345459	44	60	13365507	4	75
13337506	38	3	13345509	44	48	13366000	4	61
13337605	38	11	13345608	44	52	13366208	4	63
13337704	38	19	13345855	42	28	13366307	4	80
13337803	38	21	13345905	44	55	13375001	48	29
13337902	38	29	13346101	44	59	13375050	48	28
13338009	38	23	13346259	42	30	13375100	48	35
13338108	38	25	13346309	44	53	13375209	48	53
13338306	38	18	13346408	42	14	13375209	50	53
13338504	38	15	13346556	42	26	13375308	48	42
13338603	38	17	13346606	44	57	13375407	48	41
13338702	38	8	13346705	42	44	13375506	48	30
13338801	38	32	13348008	26	18	13375605	48	37
13338900	30	29	13348206	56	6	13375704	48	36
13338900	38	26	13348305	56	8	13376009	48	9
13340005	40	1	13348800	58	24	13376058	48	7
13340104	40	2	13348859	58	23	13376504	52	61
13340203	40	14	13348909	58	17	13376504	54	61
13340302	40	15	13348958	58	16	13376603	52	63
13340500	40	11	13349006	58	18	13376603	54	63
13340609	40	19	13350103	52	1	13376702	52	64
13340708	40	20	13350202	48	1	13376702	54	64
13340906	40	10	13350301	48	22	13376801	52	68
13341359	40	5	13350301	52	24	13376801	54	68
13341409	40	6	13350400	48	43	13376900	48	39
13341607	40	18	13350400	52	47	13377007	48	40
13343009	44	62	13351408	52	4	13377106	48	55
13343108	44	61	13351606	52	27	13377106	50	55
13343207	44	69	13351705	54	50	13377205	52	57
13343306	44	70	13353701	48	26	13377205	54	57

NUMERICAL INDEX OF PARTS

PART NO	PAGE	REF NO.	PART NO	PAGE	REF NO.	PART NO	PAGE	REF NO.
13377304	52	58	40023481	32	19	40070573	14	24
13377304	54	58	40028110	42	15	40072505	58	22·31
13378005	54	70	40033340	2	24	40072506	46	1
13398409	22	16	40033341	2	25	40082196	6	33
13399209	30	8	40033518	2	23	40082974	48	47
13426903	6	9	40039630	22	23	40082975	50	50
13429105	56	2	40040206	22	21	B1426180A00	18	3~6
22901805	2	12	40040207	22	27	B1426180B00	18	3~6
22902506	2	17	40040513	48	46	B1426180C00	18	3~6
22924708	6	7	40040514	48	4	B1426180D00	18	3~6
22930309	46	13	40042362	40	21	B2008372000	40	16
22930408	46	7	40042363	40	13	B2556280000	20	54
22930705	46	29	40042365	40	24	B3121804000	40	12
22930804	46	17	40042366	40	23	B3215470000	18	39
22930903	46	16	40050448	38	24	B3538112000	56	10
22931000	46	15	40050449	38	27	B9101490000	58	15
22931109	46	14	40052522	38	33	B9213850000	26	19
22931307	46	8	40056403	52	56	B9214850000	26	20
22931406	46	6	40056403	54	56	BP30000010R	42	42
22932800	58	1	40056404	52	59	BT0600402EA	56	4
22933006	58	2	40056404	54	59	CM300200001	2	13
22933105	58	3	40056405	52	31	CM3002000A1	4	71
22933204	58	12	40056406	54	54	CM3002001B1	6	2
22933303	58	9	40056407	54	71	CM600100101	4	83
22945505	28	52	40056410	52	30	CM600100201	58	30
22945802	28	50	40056411	54	53	CQ303000000	18	23
23537202	16	50	40056412	52	55	CQ303000000	22	43
23612609	26	9	40056412	54	55	CQ303000000	30	13
23629306	42	40	40056504	52	7	CQ303000000	56	5
23629504	42	43	40056505	52	8	CS0800881TP	16	52
23630007	42	11	40056591	32	35	CS1000881TP	20	61
26037903	58	7	40056675	46	11	CS1000881TP	22	40
30391601	26	24	40056919	56	1	CS1000881TP	26	6
31013808	22	39	40058033	48	25	CS1000881TP	30	19
40004749	44	74	40062154	2	3	CS1000881TP	32	17
40018259	14	31	40065784	40	17	HX00150000C	58	26
40018443	22	38	40066085	4	66	MML018900CA	58	14
40018923	36	5	40066136	40	8	MUY128S1000	48	44
40018946	6	11	40070224	50	51	MUY128S1000	52	48
40018947	36	1	40070226	50	56	MUY128S1000	54	48
40019163	42	13	40070227	50	57	MUY128S1003	58	5
40019335	32	21	40070229	50	63	NM6030001SD	50	58
40020538	32	15	40070230	50	62	NM6030001SD	52	69
40023042	32	34	40070231	50	60	NM6030001SD	54	69
40023441	32	20	40070559	14	28	NM6030001SN	32	45

NUMERICAL INDEX OF PARTS

PART NO	PAGE	REF NO.	PART NO	PAGE	REF NO.	PART NO	PAGE	REF NO.
NM6040000SN	4	78	RO158240100	18	11	SM4040655SP	58	27
NM6040001SP	2	60	RO195240100	6	6	SM4040855SP	12	54
NM6040001SP	4	60	SB108002100	32	8	SM4041001SC	46	21
NM6040001SP	42	16	SB120001500	36	23	SM4041055SP	2	58
NM6040002SE	46	25	SB120001900	10	19	SM4041055SP	4	58
NM6050001SE	46	20	SB30800110A	14	5~8	SM4041055SP	6	48
NM6050001SP	18	43	SB30800110B	14	5~8	SM4041055SP	8	48
NM6050001SP	28	54	SB30800110C	14	5~8	SM4041055SP	26	14
NM6050001SP	30	27	SB30800110D	14	5~8	SM4041055SP	40	25
NM6050001SP	38	14	SD0640246SP	2	30	SM4041055SP	42	22
NM6050001SP	42	46	SD0640246SP	32	30	SM4041201SC	46	23
NM6060001CP	16	69	SD0700206TP	14	45	SM4041655SP	40	7
NM6060001SE	46	34	SD0700586TP	16	65	SM4042001SC	46	24
NM6100003SC	58	21	SD0801326TH	18	33	SM4050855SP	4	73
NM6160511SE	46	28	SK3382001SE	46	32	SM4050855SP	56	3
PH0300162C0	52	66	SL4040805SC	44	58	SM4051055SP	10	46
PH0300162C0	54	66	SL4041281SC	32	24	SM4051255SP	4	72
PH0500400C0	2	40	SL4051485SC	4	53	SM4051255SP	20	52
PS0150065KP	50	64	SM0081001SD	44	51	SM4051255SP	22	34
PS0150082KH	26	21	SM1030400SP	20	69	SM4051405SE	46	19
PS0300162KH	18	45	SM1030800SM	32	10	SM4061201SE	46	33
PS0400082KP	10	34	SM1040800SP	6	18	SM4850455SP	26	42
PS0500142KP	16	60	SM1040800SP	26	46	SM4850455SP	32	47
PS0800252KP	58	25	SM1041400SP	6	22	SM4850455SP	36	22
RC0100001KP	22	13	SM1850600SP	48	59	SM5040655SN	22	26
RC0650811KP	36	14	SM1850600SP	50	59	SM6030500SN	14	36
RC0741013KP	22	15	SM4030455SN	2	28	SM6030600SP	22	7
RC1900002KP	6	10	SM4030455SP	14	32	SM6030600SP	56	7
RC2251213KP	18	7	SM4030455SP	26	33	SM6040600SP	44	72
RC2800002KP	32	9	SM4030455SP	52	65	SM6040610SC	4	68
RC4381514KP	2	2	SM4030455SP	54	65	SM6040750TP	6	32
RC4881514KP	2	1	SM4030655SP	14	17	SM6040750TP	38	30
RE0300000K0	2	42	SM4030655SP	26	45	SM6040800SP	6	26
RE0300000K0	6	38	SM4030855SN	26	26	SM6040800SP	12	48
RE0300000K0	16	77	SM4040501SN	58	29	SM6040800SP	20	76
RE0300000K0	22	31	SM4040655SP	2	59	SM6040800SP	28	56
RE0500000K0	18	42	SM4040655SP	4	59	SM6040800SP	30	24
RE0700000K0	36	8	SM4040655SP	6	47	SM6040800SP	36	20
RE0700000K0	38	10	SM4040655SP	26	62	SM6040800SP	48	52
RO055200100	18	38	SM4040655SP	28	62	SM6040800SP	50	52
RO068190100	22	22	SM4040655SP	32	29	SM6040800SP	52	62
RO074240100	16	79	SM4040655SP	40	4	SM6040800SP	54	62
RO137230100	20	58	SM4040655SP	42	77	SM6041000SP	14	38
RO148240200	10	41	SM4040655SP	44	77	SM6041000SP	18	70
RO148240200	36	25	SM4040655SP	56	11	SM6041000SP	20	70

NUMERICAL INDEX OF PARTS

PART NO	PAGE	REF NO.	PART NO	PAGE	REF NO.	PART NO	PAGE	REF NO.
SM6041000SP	38	20	SM8031002TP	50	49	TA0500601M0	22	45
SM6041002TP	6	50	SM8040360TP	2	47	TA0500601M0	38	16
SM6041002TP	8	50	SM8040360TP	6	46	TA0850604R0	6	43
SM6041200SP	14	43	SM8040412TP	14	35	TA1050504R0	2	18
SM6041200SP	30	22	SM8040412TP	18	40	TA1250406R0	2	5
SM6041202TP	10	14	SM8040412TP	30	9	TA1600406R0	36	7
SM6041202TP	16	64	SM8040412TP	36	4	TA1600406R0	38	7
SM6041202TP	36	3	SM8040602TP	18	37	TA1701002R0	2	6
SM6041202TP	38	2	SM8040612TP	20	59	TA2050406R0	2	4
SM6042000SP	44	71	SM8050412TP	16	53	TA2050416R0	2	8
SM6050800SP	4	82	SM8050412TP	18	62	TA2101002R0	2	7
SM6050800SP	6	34	SM8050412TP	20	62	TA2351004R0	8	51
SM6050800SP	36	18	SM8050412TP	22	48	WP0280500SC	32	46
SM6051000SP	14	15	SM8050412TP	24	48	WP0280500SC	50	48
SM6051002TP	26	1	SM8050412TP	26	7	WP0280501SC	26	41
SM6051202TP	16	57	SM8050412TP	30	20	WP0280501SC	32	36
SM6051400SP	4	54	SM8050412TP	32	18	WP0320501SC	26	44
SM6051402TP	26	11	SM8050412TP	36	12	WP0410516SD	32	32
SM6051402TP	38	28	SM8050412TP	44	63	WP0450826SC	4	67
SM6051602TP	18	18	SM8050612TP	38	12	WP0450826SC	22	25
SM6051602TP	44	76	SM8050812TP	18	73	WP0450826SC	28	55
SM6060800SP	2	31	SM8050812TP	20	73	WP0460556SD	16	75
SM6060800SP	16	78	SM8060552TP	18	56	WP0460556SD	22	29
SM6061002TP	16	48	SM8060552TP	20	56	WP0461516SH	38	22
SM6061200SP	10	25	SM8060552TP	22	46	WP0480856SP	20	75
SM6061202TP	16	70	SM8060552TP	32	22	WP0522016SH	26	4
SM6061202TP	22	18	SM8060612TP	10	43	WP0531001SC	4	64
SM6061402TP	10	47	SM8060612TP	30	15	WP0550800SP	2	43
SM6061402TP	22	6	SM8060612TP	36	2	WP0550800SP	6	39
SM6061402TP	30	6	SM8060612TP	38	31	WP0550800SP	30	26
SM6061610SC	46	18	SM8060812TP	10	36	WP0550800SP	38	13
SM6061802TP	44	49	SM8060812TP	42	6	WP0550800SP	44	75
SM6062550TP	16	68	SM8060842TP	10	31	WP0621016SD	22	47
SM6850300SP	52	60	SM8061212TP	10	29	WP0702026SP	14	22
SM6850300SP	54	60	SM8080812TP	10	24	WP1021026SH	36	9
SM6850400SP	50	61	SM9061050TP	30	14	WP1021026SH	38	9
SM7051460TP	24	49	SQ0000452MZ	42	35	WP1022016SH	30	30
SM8030312TP	26	25	SQ0000453MZ	42	33	WP1102016SC	58	19
SM8030350TP	48	45	SQ0000454MZ	42	32	WP1612616SE	46	26
SM8030350TP	52	49	SQ2050452MZ	42	45	WS0510002KN	28	64
SM8030350TP	54	49	SQ2060441SD	42	36	WS0510002KN	46	3
SM8030412TP	48	54	SQ2060442SD	42	34	WS0510002KP	12	50
SM8030412TP	50	54	SQ2060451MZ	44	73	WS0510002KP	26	2
SM8030500SP	52	67	SS7110510SP	2	14	WS1002560KR	58	20
SM8030500SP	54	67	ST4040851SN	26	22	WS1643202KR	46	27

NUMERICAL INDEX OF PARTS

PART NO	PAGE	REF NO.
WT0430002KN	58	28
WZ0641510KP	2	27
WZ0641510KP	32	31
WZ1052010KP	14	23