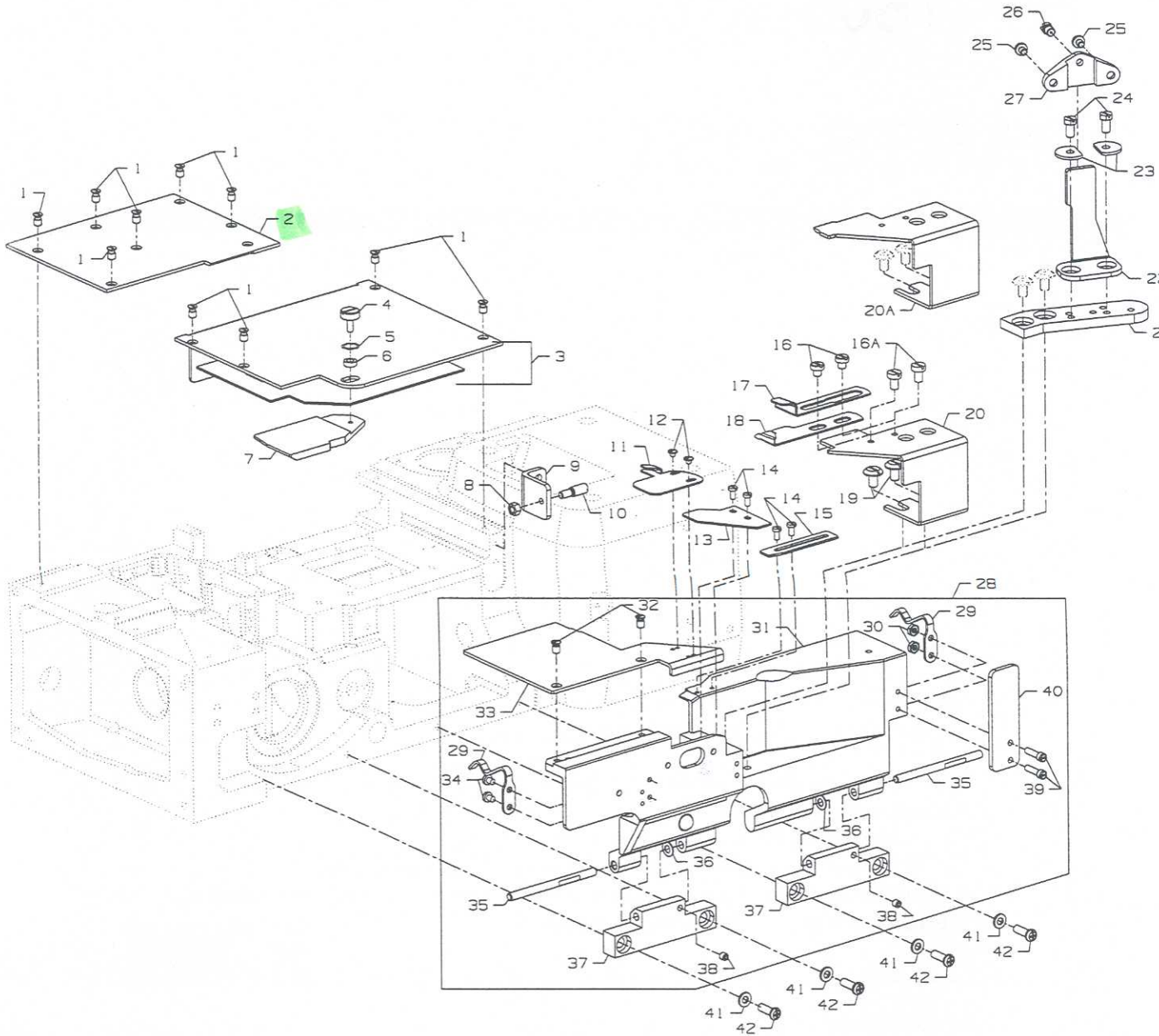


3-Needle Flat Bed Universal Machine**MF-7605-U06****MF-7605-C02****PARTS LIST****HOW TO MAKE USE OF THIS PARTS LIST**

1. As to "#01" and "#02" refer to the "Note" given at the bottom of the respective pages.
2. Codes on the "Qty" column
 - Each numeral indicates the number of parts required.
 - "0.1" and "2.5" indicate the length (in meters) of the respective parts.
3. Parentheses mean that the corresponding part is a subpart that constructs an assembly part.
4. Dotted lines on the Figures indicate assembly parts.

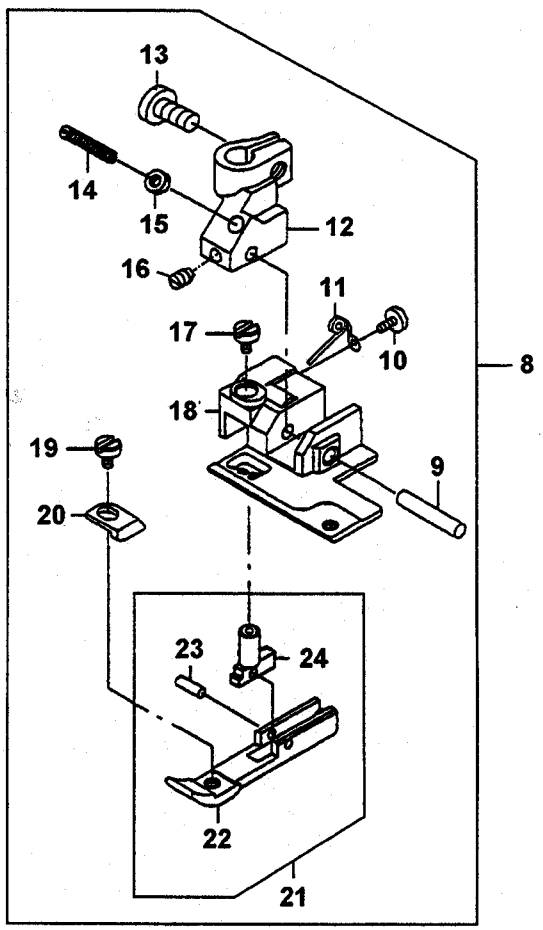
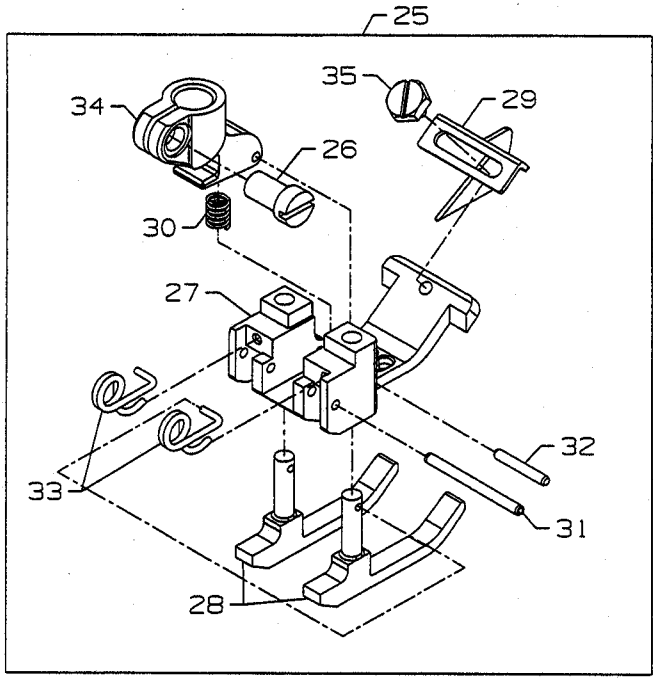
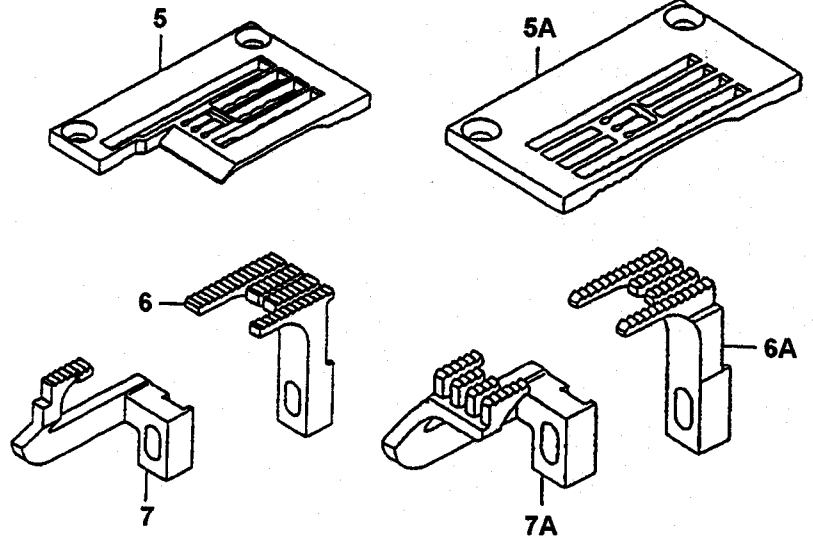
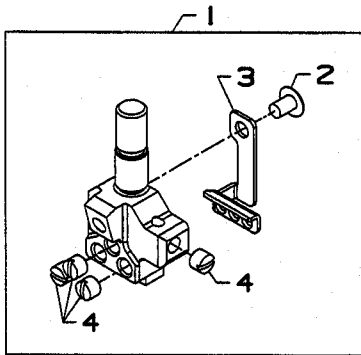


MISCELLANEOUS PARTS

| Ref.No. | Juki Part No. | Description | Code | Amt.Req. |
|---------|---------------|----------------------------------------|-------------|----------|
| 1. | US-0018Z14-48 | Screw, cloth plates | 18-1448 | 11 |
| 2. | US-0050301-CR | Cloth plate, left | 50301CR | 1 |
| 3. | US-0050301-CS | Cloth plate, right | 50301CS | 1 |
| 4. | MAL-01110000 | Screw | MAL01110000 | 1 |
| 5. | WZ-0850302-KO | Washer | WZ0850302KO | 1 |
| 6. | B3013-141-HOA | Washer | B3013141HOA | 1 |
| 7. | US-0005036-2J | Swing cover | 50362J | 1 |
| 8. | 301-03105 | Nut | 35569J | 1 |
| 9. | US-0050357-AC | Support Bracket | 50357AC | 1 |
| 10. | 300-81905 | Stud | 22799AH | 1 |
| 11. | US-0005050-3C | Edge guide, For C02 Styles | 50303C | 1 |
| 12. | 302-58602 | Screw, For C02 Styles | 187A | 2 |
| 13. | 301-65609 | Guard, For C02 Styles | 50382BB | 1 |
| 14. | 302-56705 | Screw, For C02 Styles | 77L | 4 |
| 15. | 301-02909 | Plate, For C02 Styles | 50343A | 1 |
| *16. | 302-93609 | Screw | 95169 | 2 |
| **16A | SM-6050810-SC | Screw | SM6050810SC | 2 |
| *17. | 302-34306 | Folder, upper | 34703F2 | 1 |
| *18. | 302-99903 | Folder, lower | 34703FA1 | 1 |
| 19. | 300-08502 | Screw | 22517B | 2 |
| 20. | US-0050364-AC | Support cover, For U06 Styles | 50364AC | 1 |
| 20A | US-0050364-AE | Support cover, For C02 Styles | 50364AE | 1 |
| 21. | 301-30801 | Holder bracket, For C02 styles | 50364M | 1 |
| 22. | 301-69502 | Folder support bracket, For C02 Styles | 52864W | 1 |
| 23. | 301-30702 | Washer, For C02 Styles | 50368H | 2 |
| 24. | 301-30603 | Screw, For C02 Styles | 22882E | 2 |
| 25. | SS-7110510-SP | Screw, For C02 Styles | SS7110510SP | 2 |
| 26. | 301-30504 | Screw, For C02 Styles | 22852G | 1 |
| 27. | 303-02509 | Holder clamp, For C02 Styles | 23432B | 1 |
| 28. | US-0029476-YA | Front cover assembly | 29476YA | 1 |
| 29. | 301-02701 | Latch Spring | 50332A | 2 |
| 30. | 300-99402 | Nut | 41071G | 2 |
| 31. | US-0050382-FT | Front cover | 50382FT | 1 |
| 32. | 301-68009 | Screw | 22525A | 2 |
| 33. | US-0050301-CT | Cloth plate, left | 50301CT | 1 |
| 34. | 301-47508 | Screw | 22513D | 2 |
| 35. | US-0005034-7P | Hinge pin | 50347P | 2 |
| 36. | 300-70701 | Spring washer | 97127 | 2 |
| 37. | US-0005037-8T | Hinge | 50378T | 2 |
| 38. | 300-96705 | Screw | 22894W | 2 |
| 39. | 302-55301 | Screw | 22729D | 2 |
| 40. | US-0050363-CH | Front cover lever | 50363CH | 1 |
| 41. | 302-59600 | Washer | 8372A | 4 |
| 42. | SS-4121415-SP | Screw | SS4121415SP | 4 |

*For MF7000T Styles

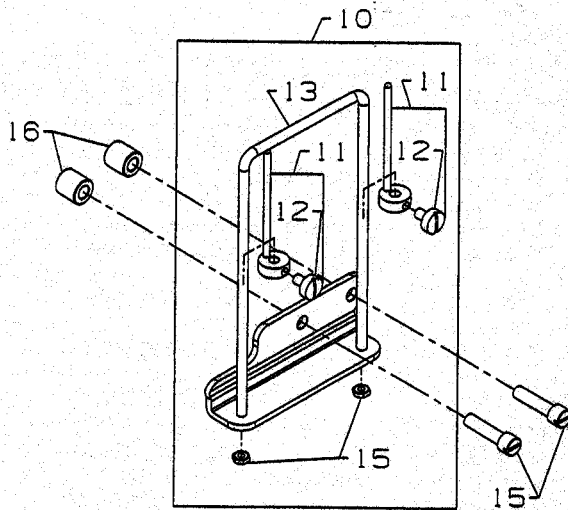
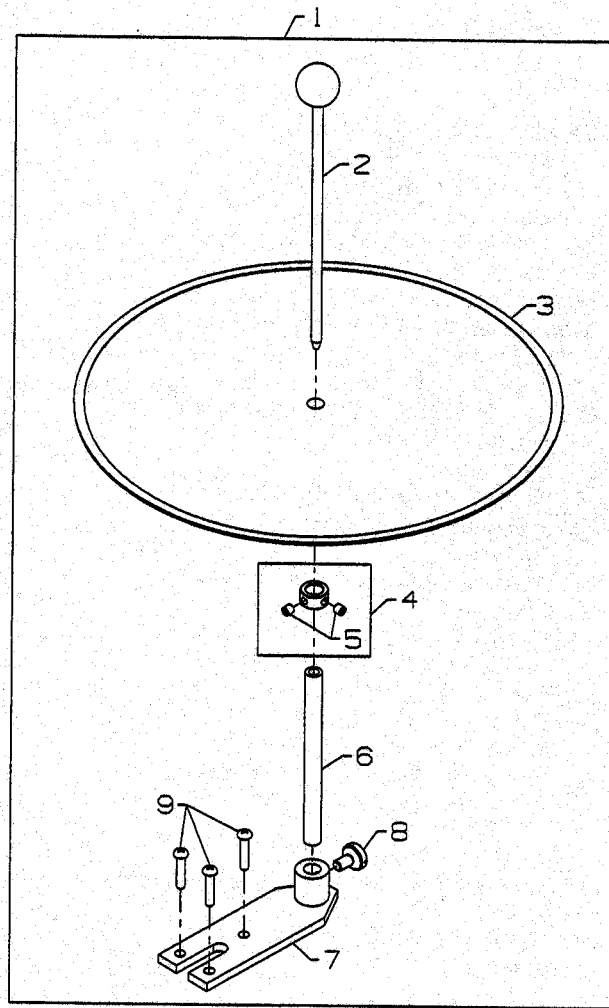
**For MF7000U Styles



SEWING PARTS

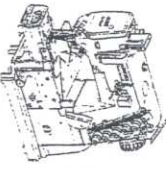














| Ref.No. | Juki Part No. | Description | Code | Amt.Req. |
|---------|---------------|--------------------------------------------------|--------------|----------|
| 1. | ----- | Needle Head (See Chart) | ----- | 1 |
| 2. | SS-5060410-SP | Screw | SS5060410SP | 1 |
| 3. | US-50318AE-56 | Eyelet, Needle Head | 50318AE56 | 1 |
| 4. | SS-8080310-TP | Screw | SS8080310TP | 4 |
| 5. | ----- | Throat Plate, For C02 styles (see chart) | ----- | 1 |
| 5A. | ----- | Throat Plate, For U06 styles (see chart) | ----- | 1 |
| 6. | ----- | Main Feed Dog For C02 styles (see chart) | ----- | 1 |
| 6A. | ----- | Main Feed Dog For U06 styles (see chart) | ----- | 1 |
| 7. | ----- | Differential Feed Dog For C02 Styles (see chart) | ----- | 1 |
| 7A. | ----- | Differential Feed Dog For U06 Styles (see chart) | ----- | 1 |
| 8. | ----- | Presser Foot For C02 styles (see chart) | ----- | 1 |
| 9. | PH-0300164-C0 | Parallel Pin | PH0300164C0 | 1 |
| 10. | US-0050330-FU | Set Screw | 50330FU | 1 |
| 11. | US-0050330-FR | Step Presser Spring | 50330FR | 1 |
| 12. | US-0050330-FP | Presser Foot Shank | 50330FP | 1 |
| 13. | SM-7040800-SL | Screw | SM7040800SL | 1 |
| 14. | US-0018C14-75 | Presser Foot Stopper Screw | 18C1475 | 1 |
| 15. | NM-6030001-SD | Nut | NM-6030001SD | 1 |
| 16. | SM-8030500-SP | Screw | SM8030500SP | 1 |
| 17. | US-0050330-FS | Step Presser Spring Holder | 50330FS | 1 |
| 18. | US-50330FM-56 | Presser Foot Bottom | 50330FM56 | 1 |
| 19. | SM-4030300-SC | Screw | SM4030300SC | 1 |
| 20. | US-0050330-FV | Tape Pick-up Guide | 50330FV | 1 |
| 21. | US-50330FL-56 | Step Presser Foot Assembly | 50330FL56 | 1 |
| 22. | US-0050330-FW | Step Presser | 50330FW | 1 |
| 23. | PH-0200063-C0 | Pin | PH0200063C0 | 1 |
| 24. | US-0050330-FN | Step Presser Foot | 50330FN | 1 |
| 25. | ----- | Presser Foot For U06 styles (see chart) | ----- | 1 |
| 26. | SS-6090810-TP | Screw | SS6090810TP | 1 |
| 27. | US-50330GD-56 | Presser Foot Bottom | 50330GD56 | 1 |
| 28. | US-0050330-GB | Yielding Section | 50330GB | 2 |
| 29. | US-0050330-GA | Cloth Guide | 50330GA | 1 |
| 30. | US-0050330-FF | Spring | 50330FF | 1 |
| 31. | US-0050330-FE | Roll Pin | 50330FE | 1 |
| 32. | US-0050330-FD | Pin | 50330FD | 1 |
| 33. | US-0050330-FB | Spring | 50330FB | 1 |
| 34. | US-0050330-EY | Presser Foot Shank | 50330EY | 1 |
| 35. | US-0018C14-78 | Screw | 18C1478 | 1 |

| MODEL | NEEDLE HEAD | PRESSER FOOT ASSEMBLY | THROAT PLATE | FEED DOG MAIN | FEED DOG DIFFERENTIAL |
|-----------------|-------------|-----------------------|--------------|---------------|-----------------------|
| MF7605U-U06-B56 | 50318AL56 | 50320CD56 | 50324DF56 | 50305BW | 50326BP |
| MF7605U-U06-B64 | 50318AL64 | | 50324DF64 | 50305CB | 50326BW |
| MF7605U-C02-B56 | 50318AL56 | 50320CB56 | 50324AU56 | 50305BX | 50326BT |
| MF7605U-C02-B64 | 50318AL64 | | 50324AU64 | | |
| MF7605T-U06-B56 | 50318AL56 | 50320CD56 | 50324DF56 | 50305BW | 50326BP |
| MF7605T-U06-B64 | 50318AL64 | | 50324DF64 | 50305CB | 50326BW |
| MF7605T-C02-B56 | 50318AL56 | 50320CB56 | 50324AU56 | 50305BX | 50326BX |
| MF7605T-C02-B64 | 50318AL64 | | 50324AU64 | | |



ACCESSORIES
FOR C02 STYLES

| Ref.No. | Juki Part No. | Description | Code | Amt.Req. |
|---------|---------------|------------------|-------------|----------|
| 1. | 300-64562 | Thread Stand | 29480AHU | 1 |
| 2. | 300-64802 | Support Shaft | 50322L | 1 |
| 3. | 300-64554 | Tape Disc | 50392C | 1 |
| 4. | 300-69009 | Collar | 482C | 1 |
| 5. | 300-70908 | Screw | 22894C | 2 |
| 6. | 300-64307 | Shaft | 50322H | 1 |
| 7. | 300-64406 | Holder | 50364A | 1 |
| 8. | 300-64109 | Screw | 22728 | 1 |
| 9. | 300-66401 | Wood Screw | 90561K | 3 |
| 10. | US-0023439-LA | Tension Assembly | 23439LA | 1 |
| 11. | US-0005037-8Z | Adjustable Pin | 50378Z | 2 |
| 12. | MAL-01110000 | Screw | MAL01110000 | 1 |
| 13. | 301-86803 | Guide | 51-856BLK | 1 |
| 14. | 303-03002 | Nut | 907 | 2 |
| 15. | SS-6151920-SP | Screw | SS6151920SP | 2 |
| 16. | 301-31205 | Spacer | 54264D | 2 |

| | | | | | | | | | | | | | | | | | | | | | | | | | | | | | | |
|------------------------------|-------------------------------------------------------------------------------------|----------------------|-------------------------------------------------------------------------------------|----------------------|-------------------------------------------------------------------------------------|----------------------------------|-------------------------------------------------------------------------------------|-----------------------------------|-------------------------------------------------------------------------------------|--------------------------|--------------------------------------------------------------------------------------|-----------------------|---------------------------------------------------------------------------------------|-------------------------------------|---------------------------------------------------------------------------------------|-----------------------------------|---------------------------------------------------------------------------------------|----------------------|---------------------------------------------------------------------------------------|-----------------------------------|---------------------------------------------------------------------------------------|----------------------|---------------------------------------------------------------------------------------|-------------------------------|---------------------------------------------------------------------------------------|-----------------------------------|---------------------------------------------------------------------------------------|--------------------------------|---------------------------------------------------------------------------------------|---------------------------------|
| 縫見本 STITCH & SEAM TYPE |  | 機種名 MACHINE STYLE |  | 針留 NEEDLE HEAD |  | 押え(組) PRESSER FOOT ASM. |  | 差動送り歯 DIFFERENTIAL FEED DOG |  | 主送り歯 MAIN FEED DOG |  | 針板 THROAT PLATE |  | 針板取付板 THROAT PLATE SUPPORT |  | 布板下板 OIL RESERVOIR COVER |  | 布板 CLOTH PLATE |  | 布板支え CLOTH PLATE SUPPORT |  | 布板 CLOTH PLATE |  | スライド カバー SLIDE COVER |  | シリンダー カバー CYLINDER COVER |  | スウイング カバー SWING COVER |  | 布板(左) CLOTH PLATE LEFT |
|------------------------------|-------------------------------------------------------------------------------------|----------------------|-------------------------------------------------------------------------------------|----------------------|-------------------------------------------------------------------------------------|----------------------------------|-------------------------------------------------------------------------------------|-----------------------------------|-------------------------------------------------------------------------------------|--------------------------|--------------------------------------------------------------------------------------|-----------------------|---------------------------------------------------------------------------------------|-------------------------------------|---------------------------------------------------------------------------------------|-----------------------------------|---------------------------------------------------------------------------------------|----------------------|---------------------------------------------------------------------------------------|-----------------------------------|---------------------------------------------------------------------------------------|----------------------|---------------------------------------------------------------------------------------|-------------------------------|---------------------------------------------------------------------------------------|-----------------------------------|---------------------------------------------------------------------------------------|--------------------------------|---------------------------------------------------------------------------------------|---------------------------------|

| | | | | | | | | | | | | | | | |
|-----|----------------------|----------------------------|----------------------------|--------------------------|----------------------------|----------------------------|---------------------------|---------------------------|--------------------------|--------------------------|--------------------------|--------------------------|--------------------------|--|--|
| 407 | MFC-7407-U03-B64/UT4 | US50318AN64 (50318AN64) | US50320BZ56 (50320BZ56) | US0050326BK (50326BK) | US0050305BU (50305BU) | US50324DE64 (50324DE64) | 30285001 (34380) | US029480AYH (29480AYH) | US0050301BK (50301BK) | US0029476SA (29476SA) | US0050301CP (50301CP) | US0050382HX (50382HX) | US0050382FV (50382FV) | | |
| | MFC-7605-U03-B56 | US50318AN56 (50318AN56) | | | | US50324DE56 (50324DE56) | 30297907 (34382J) | | | | | | | | |
| | MFC-7605-U03-B56/UT2 | | | | | | US029480AYH (29480AYH) | | | | | | | | |
| | MFC-7605-U03-B56/UT5 | | | | | | | | | | | | | | |
| 605 | MFC-7605-U03-B64 | US50318AN64 (50318AN64) | | | US50324DE64 (50324DE64) | | 30297907 (34382J) | US029480AYH (29480AYH) | | | | | | | |
| | MFC-7605-U03-B64/UT2 | | | | | | | | | | | | | | |
| | MFC-7605-U03-B64/UT5 | | | | | | | | | | | | | | |
| | MFC-7605-U03-B64/UT1 | | | | | | | | | | | | | | |
| 407 | MFC-7407-U05-B56/UT4 | US50318AN56 (50318AN56) | US50320BX56 (50320BX56) | US0050326BN (50326BN) | US0050305BV (50305BV) | US50324DF56 (50324DF56) | US00034380E (34380E) | US029480AYH (29480AYH) | US0050301CW (50301CW) | US0050382JB (50382JB) | | US00050302F (50302F) | | | |
| | MFC-7605-U05-B56 | | | | | | 30297907 (34382J) | | | | | | | | |
| | MFC-7605-U05-B56/UT2 | | | | | | | US029480AYH (29480AYH) | | | | | | | |
| | MFC-7605-U05-B64 | US50318AN64 (50318AN64) | | US0050326BX (50326BX) | US0050305CC (50305CC) | US50324DF64 (50324DF64) | 30297907 (34382J) | | | | | | | | |
| 605 | MFC-7605-U06-B56 | US50318AN56 (50318AN56) | US50320CD56 (50320CD56) | US0050326BN (50326BN) | US0050305BV (50305BV) | US50324DF56 (50324DF56) | | | | | | | | | |
| | MFC-7605-U06-B64 | US50318AN64 (50318AN64) | | | | | | | | | | | | | |
| | MFC-7605-U06-B64 | US50318AN64 (50318AN64) | | US0050326BX (50326BX) | US0050305CC (50305CC) | US50324DF64 (50324DF64) | | | | | | | | | |