

MODEL : MF-7500 SERIES
List No : 1595-02

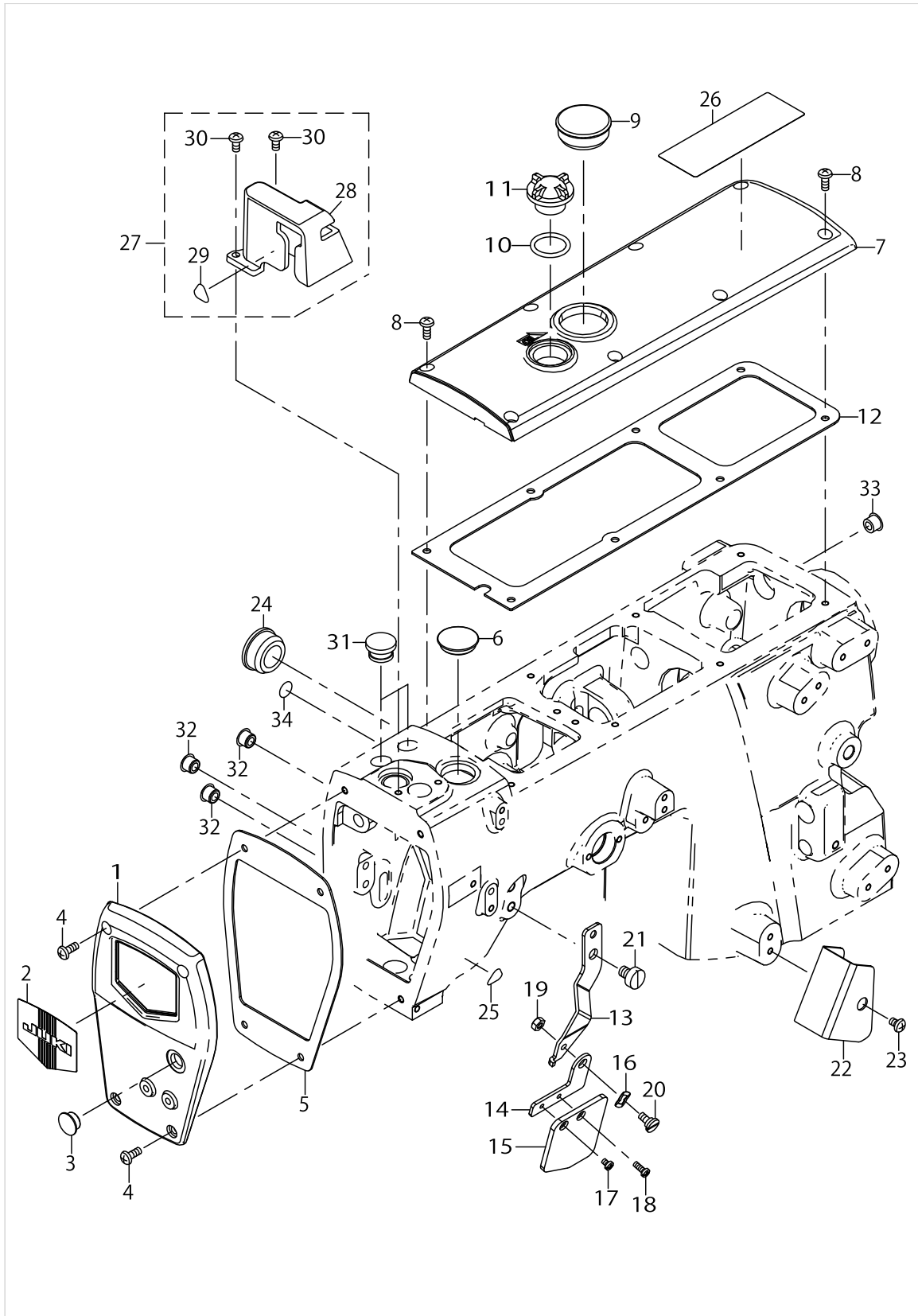
PARTS LIST

Published:12/01/2016

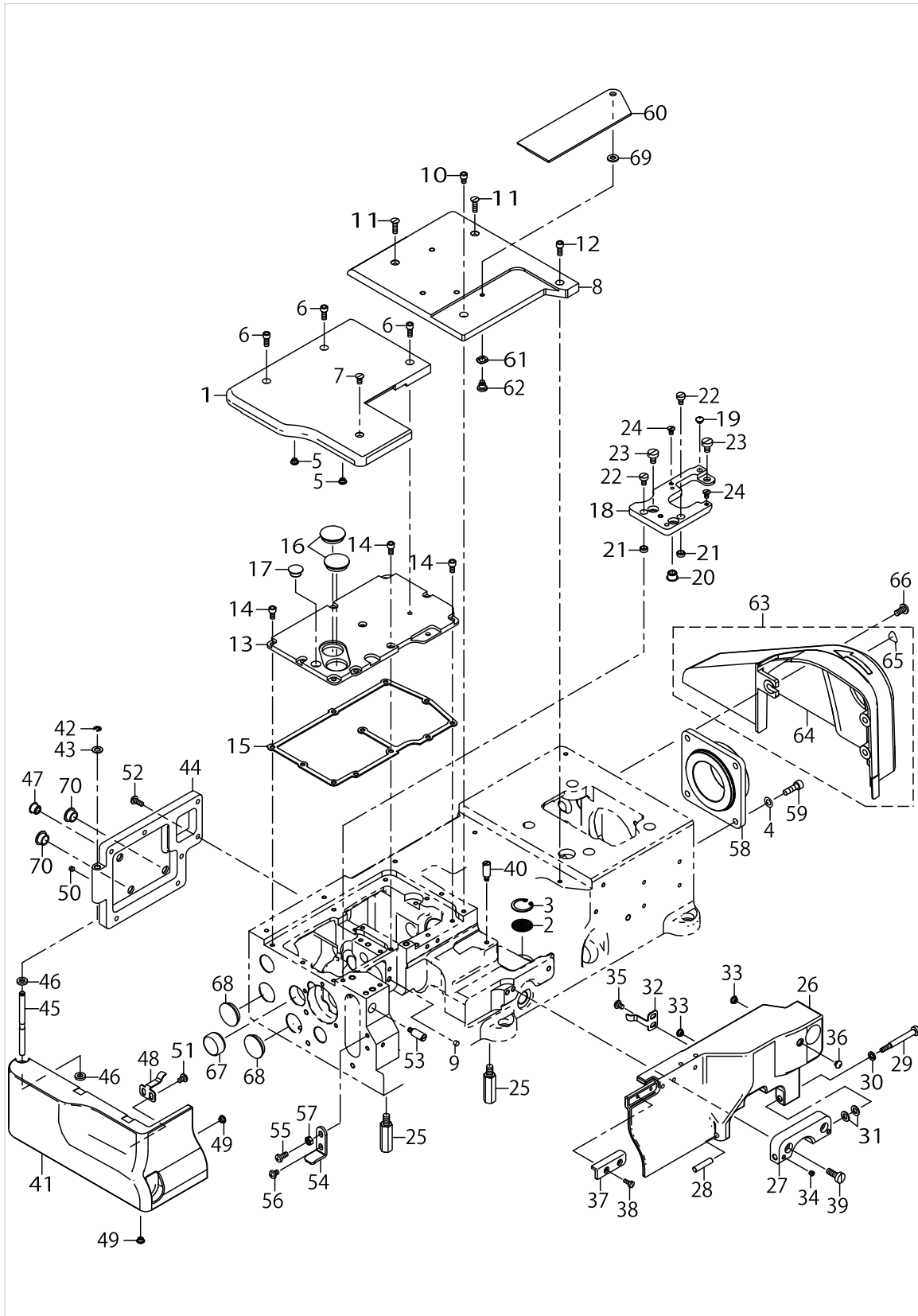
CONTENTS

MISCELLANEOUS COVER COMPONENTS (1).....	1
MISCELLANEOUS COVER COMPONENTS (2).....	3
MAIN SHAFT COMPONENTS	7
NEEDLE BAR & PRESSER COMPONENTS.....	11
FEED DRIVE COMPONENTS (1).....	15
FEED DRIVE COMPONENTS (2).....	19
THREAD TAKE-UP LEVER COMPONENTS.....	21
SPREADER COMPONENTS.....	23
LOWER THREAD CAM COMPONENTS.....	25
NEEDLE GUARD COMPONENTS.....	27
LOOPER COMPONENTS	29
THREAD TENSION COMPONENTS	31
LUBRICATION COMPONENTS	33
THREAD STAND COMPONENTS.....	37
GAUGE PARTS COMPONENTS	39
NEEDLE COOLING COMPONENTS	41
ACCESSORIES PARTS COMPONENTS	43
LIST FOR INFORMATION OF CHANGE.....	45
HOW TO MAKE USE OF THIS PARTS LIST	46

MISCELLANEOUS COVER COMPONENTS (1)



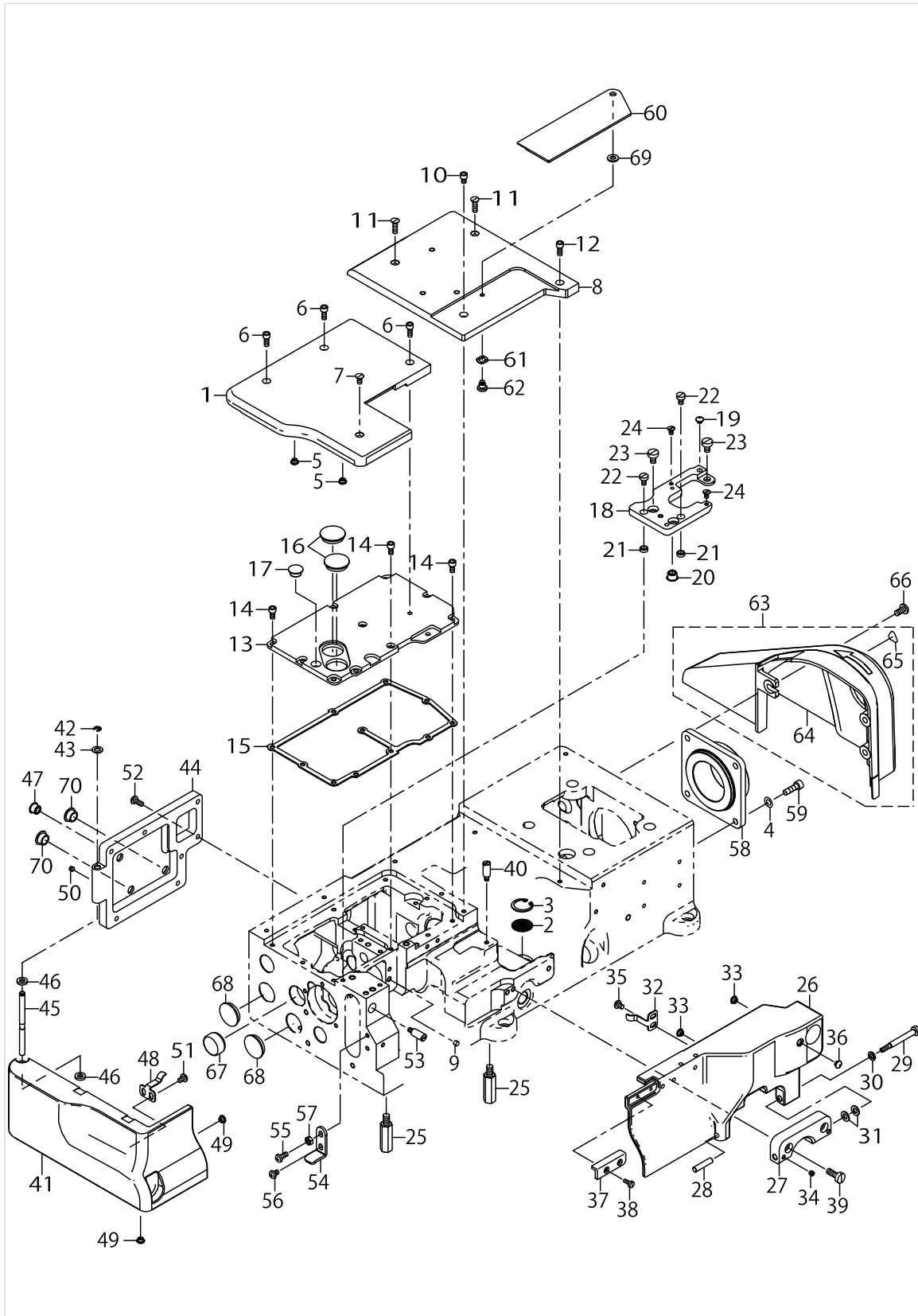
MISCELLANEOUS COVER COMPONENTS (2)



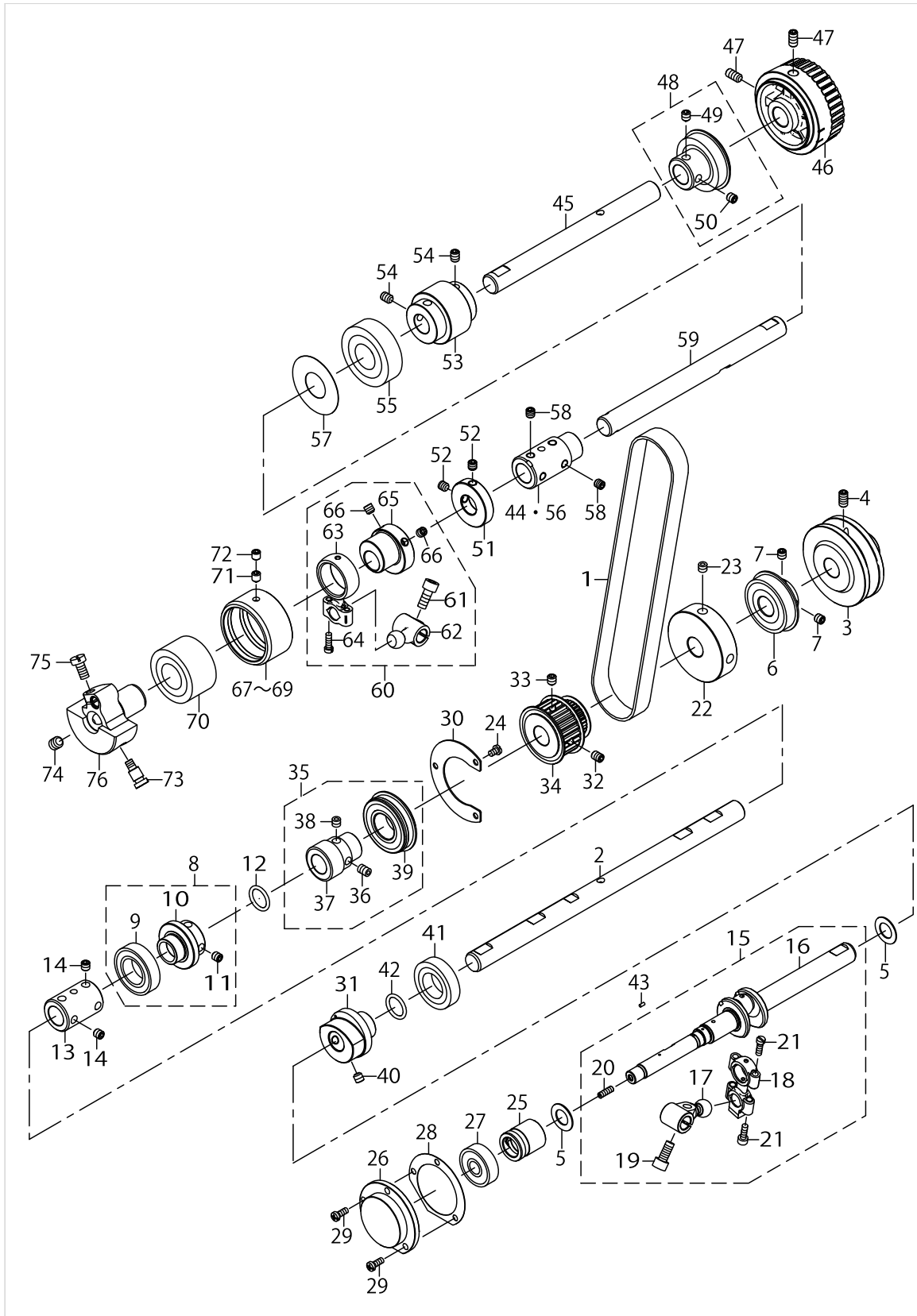
MISCELLANEOUS COVER COMPONENTS (2)

No.	C- ons	Le- vel	Parts No.	Replacement	Supply Code	Parts name	Qty	R- ep. Q- TY	Status	Spec	Remarks
1			70001420			CLOTH PLATE LEFT	1				
2			13426903			MESH PLATE	1				
3			RC1900002KP			C-RING 19(20.5)	1				
4			WP0531000SD			WASHER M5	4				
5			13302302			RUBBER BUMPER	2				
6			SM6041002TP			SCREW M4X0.7 L=10	3				
7			SM1040800SP			SCREW	1				
8			70001978			CLOTH PLATE RIGHT	1				
9			TA0400301M0			PLUG D=4X4.5 L=3	1				
10			SM6040602TP			SCREW M4X0.7 L=6	1				
11			SM10414COSP			SCREW	2				
12			SM6041002TP			SCREW M4X0.7 L=10	1				
13			70001415			BED TOP COVER	1				
14			SM6040800SP			SCREW	11				
15			70001423			GASKET B	1				
16			TA2050416R0			RUBBER PLUG	2				
17			TA1050504R0			RUBBER PLUG	1				
18			70001424			THROAT PLATE SUPPORT	1				
19			13302302			RUBBER BUMPER	1				
20			TA0850604R0			RUBBER PLUG	1				
21	☆		40082196			ADJUSTING COLLAR	2				
22	☆		SM60407C0TP			SCREW M4 L=7	2				
23			SM6050800SP			SCREW M5 L=8	3				
24			13302203			SCREW	2				
25			13301809			SUPPORT STUD	4				
26			70001426			SWING DOWN COVER	1				
27			70001431	70004972	Replaced	HINGE	1	1.00			
28			13409800			DIFF LINK PIN	1				
29			70001414			SCREW	1				
30			WS0510002KP			SPRING WASHER 5.1X9.2X1	1				
31			WP0531000SC			WASHER 5.3X10X1	2				
32	☆		13304308			LATCH SPRING	1				
33			13302302			RUBBER BUMPER	2				
34			SM8040412TP			SET SCREW M4 L=4	2				
35			SM4040655SP			SCREW M4 L=6	2				
36			13302302			RUBBER BUMPER	1				
37			40099371			BRACKET	1				
38	☆		SM6030800SP			SCREW M3X0.5 L=8	2				
39			SM6051400SP			SCREW	2				
40			13302104			PIN	1				
41			70001418			SIDE COVER	1				
42			RE0300000K0			E-RING 3	1				
43			WP0550800SP			WASHER 5.5X10X0.8	1				
44			70001659			FEED CHAMBER COVER	1				
45			13305107			PIN FOR SIDE COVER	1				
46			13302708			RUBBER WASHER	2				
47			TA0850604R0			RUBBER PLUG	1				
48	☆		13304308			LATCH SPRING	1				
49			13302302			RUBBER BUMPER	2				
50			SM8040312TP			SCREW M4 L=3	1				
51			SM4040555SP			SCREW	2				
52			SM4041055SP			SCREW	7				
53			13302104			PIN	1				
54			13304209			SUPPORT BRACKET	1				
55			SM4041055SP			SCREW	1				
56			SM4040655SP			SCREW M4 L=6	1				
57			NM6040000SN			NUT M4	1				
58			70001436			HOUSING	1				
59			SM6051602TP			SCREW M5X0.8 L=16	4				
60			70001976			SLIDE COVER	1				

MISCELLANEOUS COVER COMPONENTS (2)



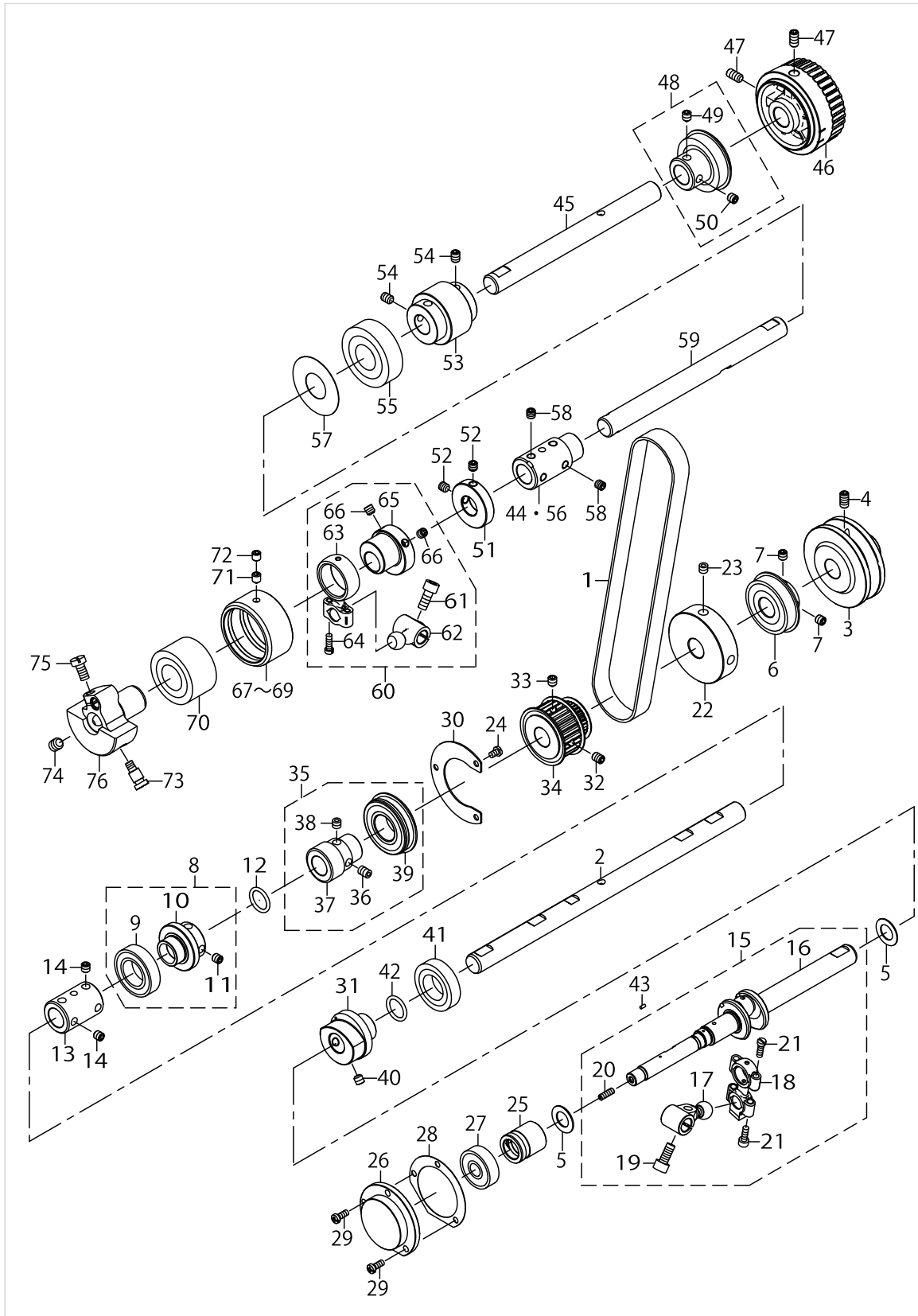
MAIN SHAFT COMPONENTS



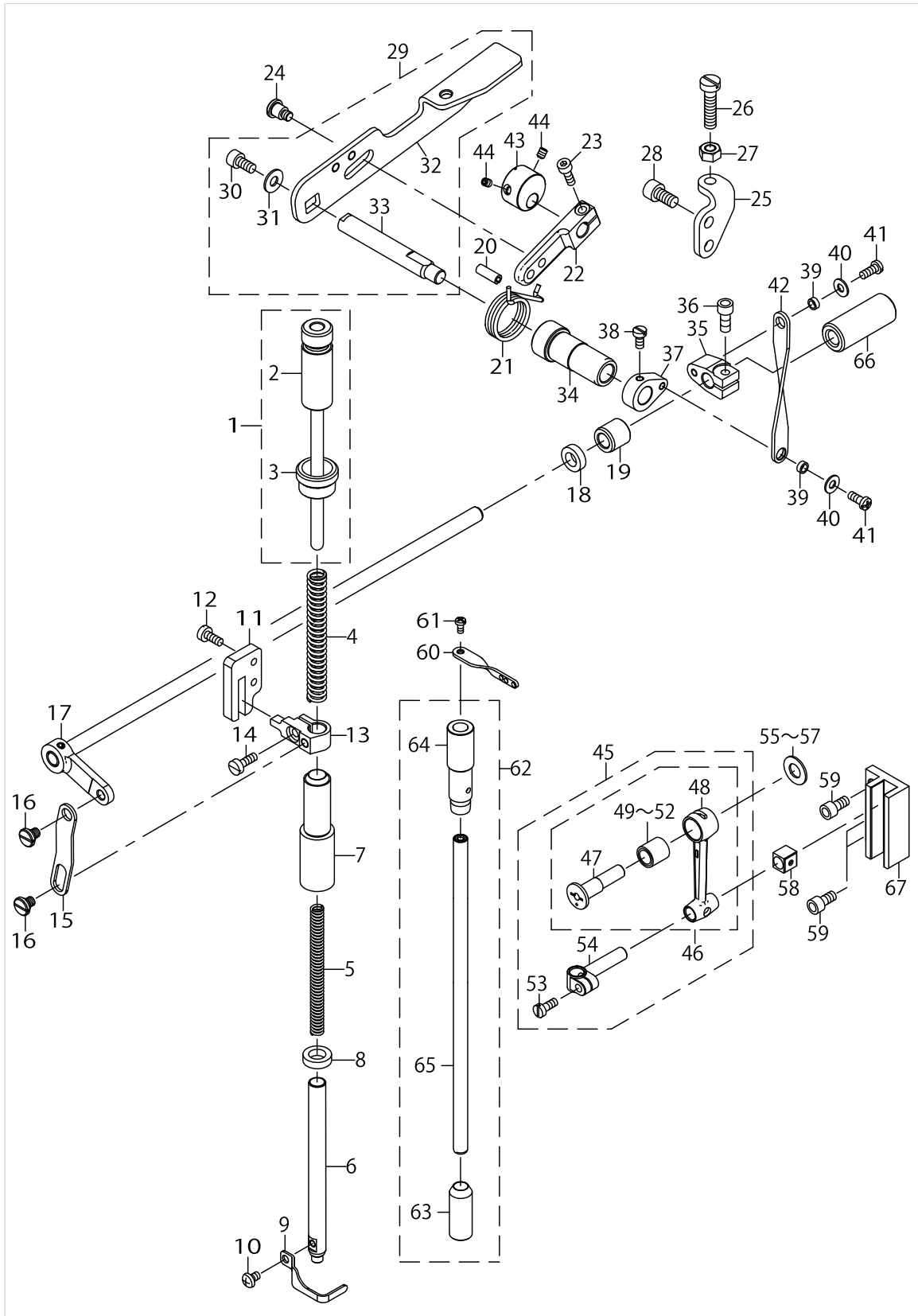
MAIN SHAFT COMPONENTS

No.	C- ons	Le- vel	Parts No.	Replacement	Supply Code	Parts name	Qty	R- ep. Q- TY	Status	Spec	Remarks
1			13308804			TIMING BELT	1				
2			70001445			LOWER MAINSHAFT RIGH	1				
3			13406707			LOWER_PULLEY	1				
4			SM8061212TP			SCREW M6X12	2				
5			40017824			LOOPER LOD STOPPER	1				
6			70004640			COUPLING_E_ASSY	1				
7			SM8060612TP			SCREW M6 L=6	2				
8			13308457			BEARING ASSY C	1				
9		*	70004197			BEARING	1				
10		*	40018922		Disconinue	COUPLING C	1				
11		*	SM8060612TP			SCREW M6 L=6	2				
12			RO148240200			O-RING	1				
13			13307509			JOINT	1				
14			SM8060612TP			SCREW M6 L=6	4				
15			70004630			LMS_LEFT_ASSY	1				
16		*	70004631			LOWER_MAINSHAFT_LEFT	1				
17		*	70004633			LOOPER_DRIVE	1				
18		*	70004632			LOOPER_ROD_DRIVE	1				
19		*	SM6061402TP			SCREW M6 L=14	1				
20		*	SM8040412TP			SCREW M4X4	1				
21		*	13324108	13307657	Replaced	SCREW	4	1.00			
22			70003316			FLY_WHEEL	1				
23			SM8060612TP			SCREW M6 L=6	2				
24			SM4040655SP			SCREW M4 L=6	3				
25			70001447			BUSHING LMS MIDDLE	1				
26			70001448			BUSHING LMS LEFT	1				
27			70005086			BEARING	1				
28			13308705			GASKET FOR BUSHING LE	1				
29			SM4041055SP			SCREW	3				
30			70001451			THRUST PLATE	1				
31			70001453			BEARING HOLDER	1				
32			SM8060812TP			SCREW M6 L=8	1				
33			SM8060842TP			SCREW M6 L=8	1				
34			70004184			LMS SPROCKET	1				
35			70004489			LMS_WORM_ASSY	1				
36		*	SM8060552TP			SCREW M6 L=5	1				
37		*	13308507			COUPLING D	1				
38		*	SM8060842TP			SCREW M6 L=8	1				
39		*	70004484			BEARING	1				
40			SM8060612TP			SCREW M6 L=6	2				
41			SB120001500			BEARING	1				
42			RO148240200			O-RING	1				
43			40035711			OIL WICK	2				
44			70003331			COUPLING B	1				FOR UT35,UT37
45			70001437			UPPER MAINSHAFT RIGHT	1				
46			70001439			UPPER_PULLEY	1				
47			SM8061212TP			SCREW M6X12	2				
48			13307251			BEARING ASSY A	1				
49		*	SM8060842TP			SCREW M6 L=8	1				
50		*	SM8060612TP			SCREW M6 L=6	1				
51			70001443			COLLAR	1				
52			SM8060612TP			SCREW M6 L=6	2				
53			13307301			UMS SPROCKET	1				
54			SM8060812TP			SCREW M6 L=8	4				
55			SB120002200			BEARING	1				
56			70001440			COUPLING B	1				
57			70001638			BEARING COVER PLATE	1				
58			SM8060612TP			SCREW M6 L=6	4				
59			70001441			UPPER MAINSHAFT LEFT	1				
60			70001442			TAKE UP ROD ASSY	1				

MAIN SHAFT COMPONENTS



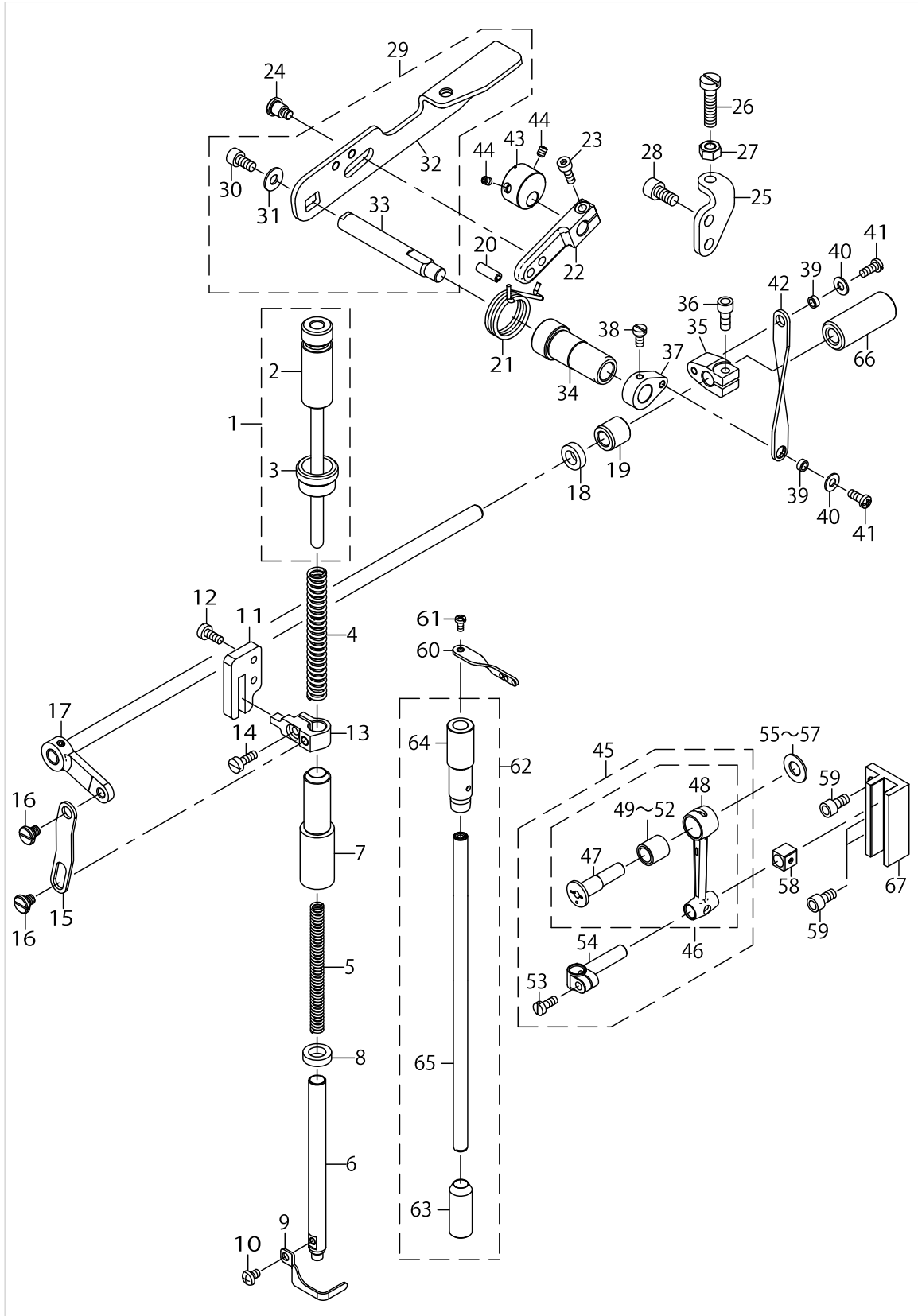
NEEDLE BAR & PRESSER COMPONENTS



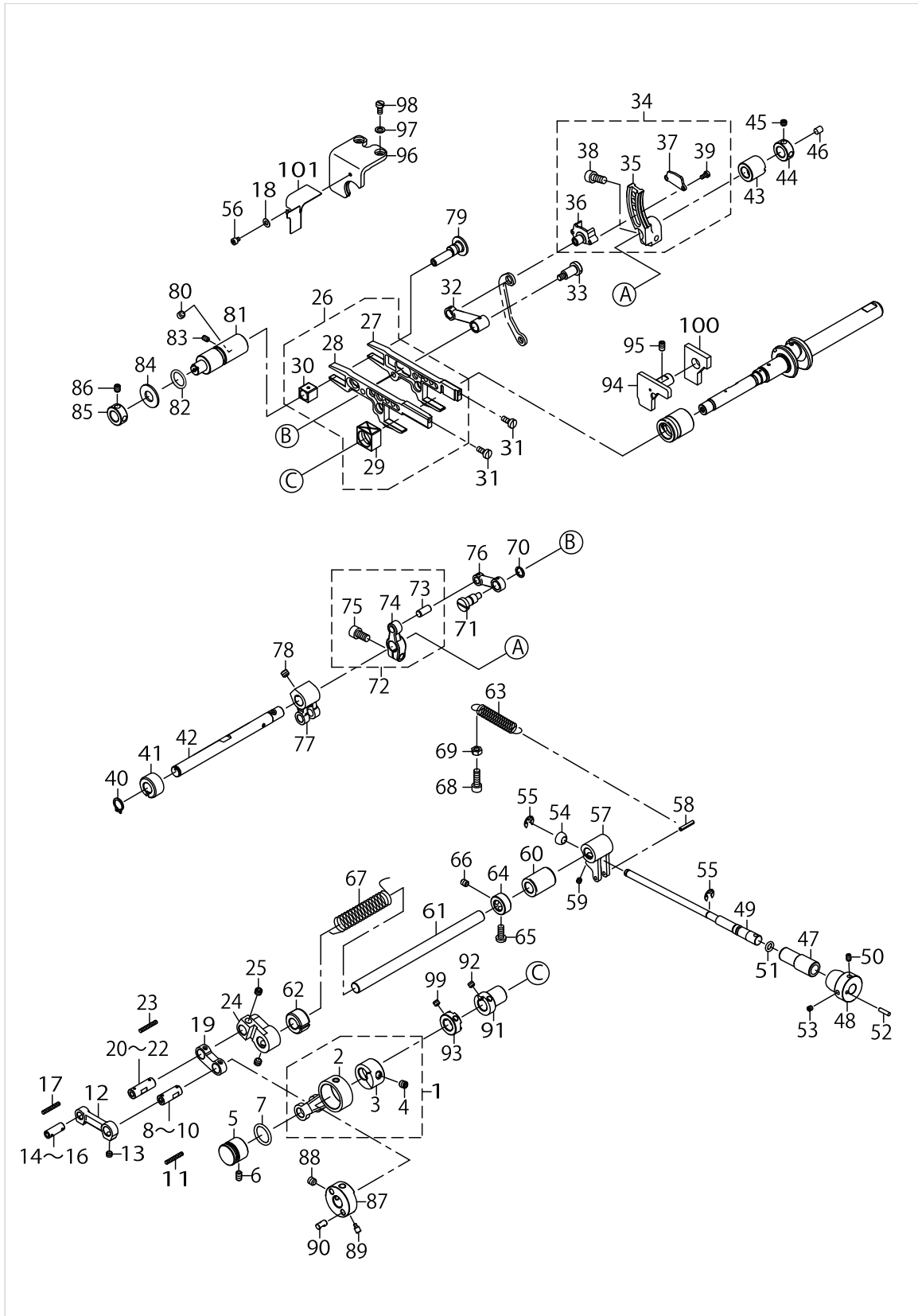
NEEDLE BAR & PRESSER COMPONENTS

No.	C- ons	Le- vel	Parts No.	Replacement	Supply Code	Parts name	Qty	R- ep- Q- TY	Status	Spec	Remarks
1			40070574			ADJ SCREW P B NUT ASSY	1				
2		*	40070573			ADJ SCREW P B ASSY	1				
3		*	13313101	13313068	Replaced	LOCKING NUT	1	1.00			
4			13313309			SPRING PRESSER BAR A	1				
5			70001480			SPRING PRESSER BAR B	1				
6			70001481			PRESSER BAR	1				
7			70001499			BUSHING PRESSER BAR	1				
8			13315908			OIL SEAL	1				
9			70001483			FINGER GUARD	1				
10		☆	SM4040655SP			SCREW M4 L=6	1				
11			13313804			GUIDE PLATE	1				
12			SM6041000SP			SCREW M4 L=10	2				
13			70001485			PRESSER BAR BRACKET	1				
14			SM6041200SP			SCREW M4 L=12	1				
15			13314109			LINK	1				
16			SD070020CTP			SHOULDER SCREW D=7 H=	2				
17			13314356			ASSY LIFTER SHAFT	1				
18			23537202			HOOK SHAFT OIL SEAL	1				
19			70001486			BUSHING LIFTER FRONT	1				
20			PS0500142KP			SPRING PIN TYPE W 5X14	1				
21			70001498			SPRING LIFTER LEVER	1				
22			70001494			TENSION RELEASE LEVER	1				
23			SM6041202TP			SCREW M4X0.7 L=12	1				
24			SD070058CTP			SHOULDER SCREW D=7 H=	1				
25			70001495			LIFTER LEVER STOPPER	1				
26		☆	SM60625COTP			SCREW M6 L=25	1				
27			NM6060001CP			NUT M6X1 TYPE1	1				
28			SM6061202TP			SCREW M6 L=12	2				
29			70001487			LIFTER LEVER ASSY	1				
30		*	SM6051002TP			SCREW M5X0.8 L=10	1				
31		*	WP0551016SH			WASHER 5.5X13X1	1				
32		*	70001488			LIFTER LEVER	1				
33		*	70001489			LIFTER LEVER SHAFT	1				
34			70001490			BUSHING LIFTER LEVER	1				
35			70001478			LIFTER SHAFT LEVER	1				
36			SM6051202TP			SCREW M5X0.8 L=12	1				
37			70001477			LIFTER LEVER COLLAR	1				
38			SM6040800SP			SCREW	1				
39			70001491			SPACER	2				
40			WP0450826SC			WASHER 4.5X10X0.8	2				
41			SM4041055SP			SCREW	2				
42			70001492			LIFTER LEVER LINK	1				
43			70001493			MINUTES LIFTING COLLAR	1				
44			SM8040512TP			SCREW	2				
45			13311253			ASSY NEEDLE MECH	1				
46		*	70004371			ASSY_CONNECTING_ROD	1				
47		*	13311006	13311253	Replaced	ECCENTRIC PIN	1	1.00			
48		*	13311204	13311253	Replaced	CONNECTING ROD	1	1.00			
49		*	SB30800110A		Disconinue	BEARING	1				SELECTIVE PAF
50		*	SB30800110B			BEARING	1				SELECTIVE PAF
51		*	SB30800110C			BEARING	1				SELECTIVE PAF
52		*	SB30800110D			BEARING	1				SELECTIVE PAF
53		*	SM6041000SP			SCREW M4 L=10	1				
54		*	13311303			NEEDLE BAR CLAMP	1				
55			13312103			THRUST WASHER	1				SELECTIVE PAF
56			13312202			THRUST WASHER	1				SELECTIVE PAF
57			13312301			THRUST WASHER	1				SELECTIVE PAF
58			13311501			SLIDE BLOCK	1				
59			SM6051202TP			SCREW M5X0.8 L=12	3				
60			13326806			NEEDLE BAR EYELET	1				

NEEDLE BAR & PRESSER COMPONENTS



FEED DRIVE COMPONENTS (1)



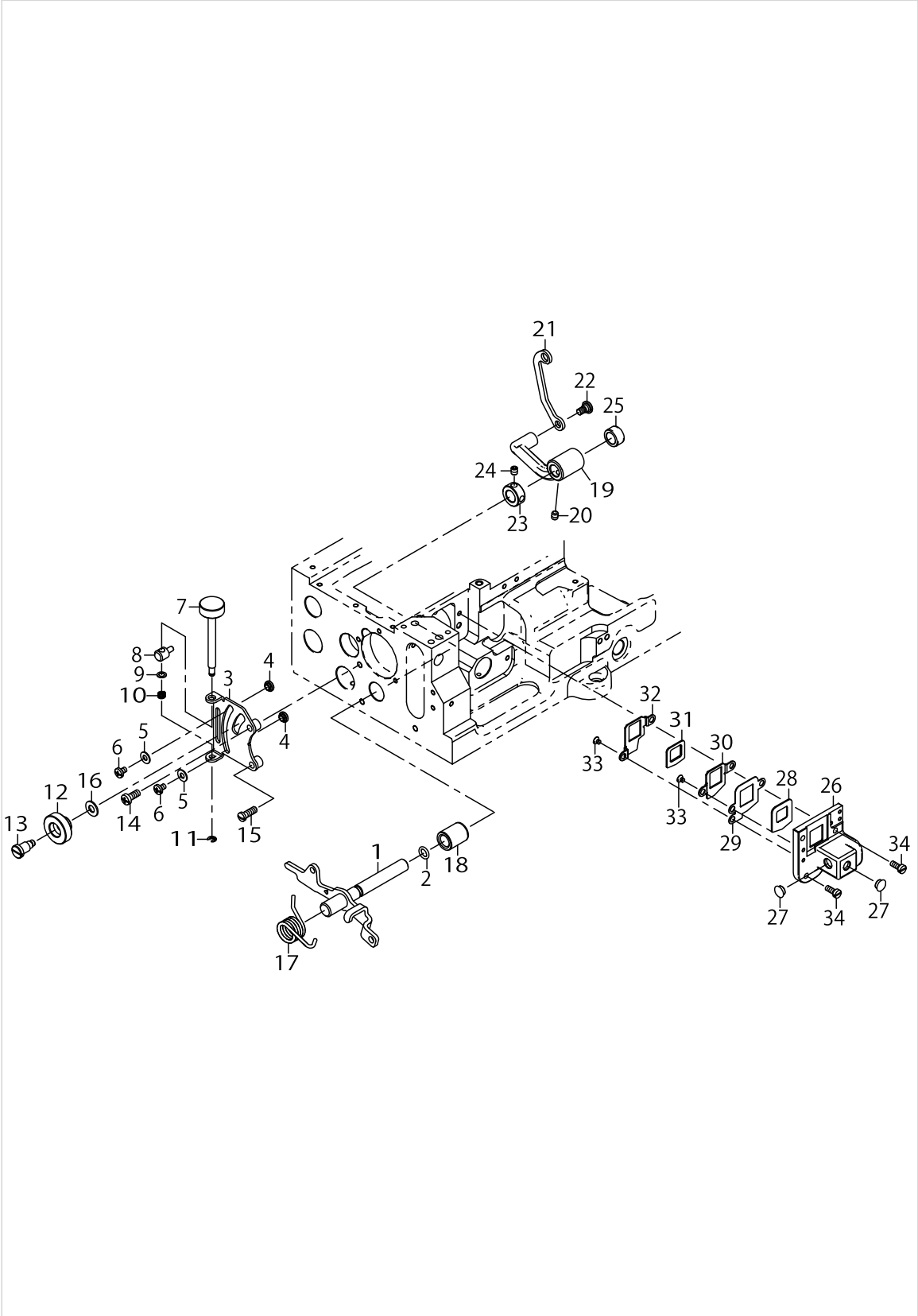
FEED DRIVE COMPONENTS (1)

No.	C- ons	Le- vel	Parts No.	Replacement	Supply Code	Parts name	Qty	R- ep- Q- TY	Status	Spec	Remarks
1			70001521			FEED ECCENTRIC HORIZC	1				
2		*	70001505			CRNAK ROD	1				
3		*	70001522	70001521	Replaced	FEED ECCENTRIC HORIZC	1	1.00			
4		*	SM8060612TP			SCREW M6 L=6	2				
5			13323803			CRANK ROD GUIDE	1				
6			SM8050812TP			SCREW M5X8	1				
7			RO158240100			O-RING	1				
8			13323308			FEED ADJ LINK PIN A	1				SELECTIVE PAF
9			13323407			FEED ADJ LINK PIN B	1				SELECTIVE PAF
10			13323506			FEED ADJ LINK PIN C	1				SELECTIVE PAF
11			CQ303000000			COTTON OIL WICK D=3	.07				
12			13317201			MAIN FEED DRIVE LINK	1				
13			SM8050612TP			SCREW M5X6	2				
14			13318704			MAIN FEED CRANK PIN A	1				SELECTIVE PAF
15			13318803			MAIN FEED CRANK PIN B	1				SELECTIVE PAF
16			13318902			MAIN FEED CRANK PIN C	1				SELECTIVE PAF
17			CQ303000000			COTTON OIL WICK D=3	.04				
18			WP0370316SD			WASHER 3.7X8X0.3	1				
19			13317300			ADJUST LINK	1				
20			13317409			FEED ADJ LINK PIN A	1				SELECTIVE PAF
21			13317508			FEED ADJ LINK PIN B	1				SELECTIVE PAF
22			13317607			FEED ADJ LINK PIN C	1				SELECTIVE PAF
23			CQ303000000			COTTON OIL WICK D=3	.08				
24			13317706			MAIN FEED ADJ LEVER	1				
25			SM8060552TP			SCREW M6 L=5	2				
26			70001528			FEED BAR ASSY	1				
27		*	70001959	70001528	Replaced	MAIN FEED BAR	1	1.00			
28		*	13321708	13321658	Replaced	DIFF FEED BAR	1	1.00			
29		*	70001509			SLIDE BLOCK	1				
30		*	13322409	13321658	Replaced	SLIDE BLOCK	1	1.00			
31			SM6041000SP			SCREW M4 L=10	2				
32			13319702			DIFF FEED LINK	1				
33			SD0801326TH			SHOULDER SCREW D=8 H=	1				
34			13319959			DIFF DRIVE ARM ASSY	1				
35		*	13319900	13319959	Replaced	DIFF DRIVE ARM	1	1.00			
36		*	13320007			DIFF FEED PIN	1				
37		*	13320106			DIFF FEED PIN PLATE	1				
38		*	SM6061402TP			SCREW M6 L=14	1				
39		*	SM6030600SP			SCREW M3X0.5 L=6	2				
40			RC0100001KP			C-RING 10 (9.3)	1				
41			70001510			BUSHING FEED FRONT	1				
42			13319009			ROCKER SHAFT	1				
43			70001511			BUSHING FEED REAR	1				
44			CS1000881TP			THRUST COLLAR D=10 W=	1				
45			SM8050612TP			SCREW M5X6	2				
46			TA0500601M0			PLUG D=5X5.4 L=6	1				
47			13318209			BUSHING FEED ADJUST	1				
48			13318001			KNOB FEED ADJUST	1				
49			13318100			SHAFT FEED ADJUST	1				
50			SM8040602TP			SCREW M4X0.7 L=6	1				
51			RO055200100			O-RING	1				
52			B3215470000			PIN	1				
53			SM8040412TP			SCREW M4X4	1				
54			13318308			STOPPER FEED ADJUST	1				
55			RE0500000K0			E-RING	2				
56			SM6030402TP			SCREW M3X0.5 L=4	1				
57			13317904			FEED ADJUST LEVER	1				
58			PS0300162KH			SPRING PIN 3X16	1				
59			SM8050612TP			SCREW M5X6	1				
60			70001512			BUSHING FEED ADJUST	1				

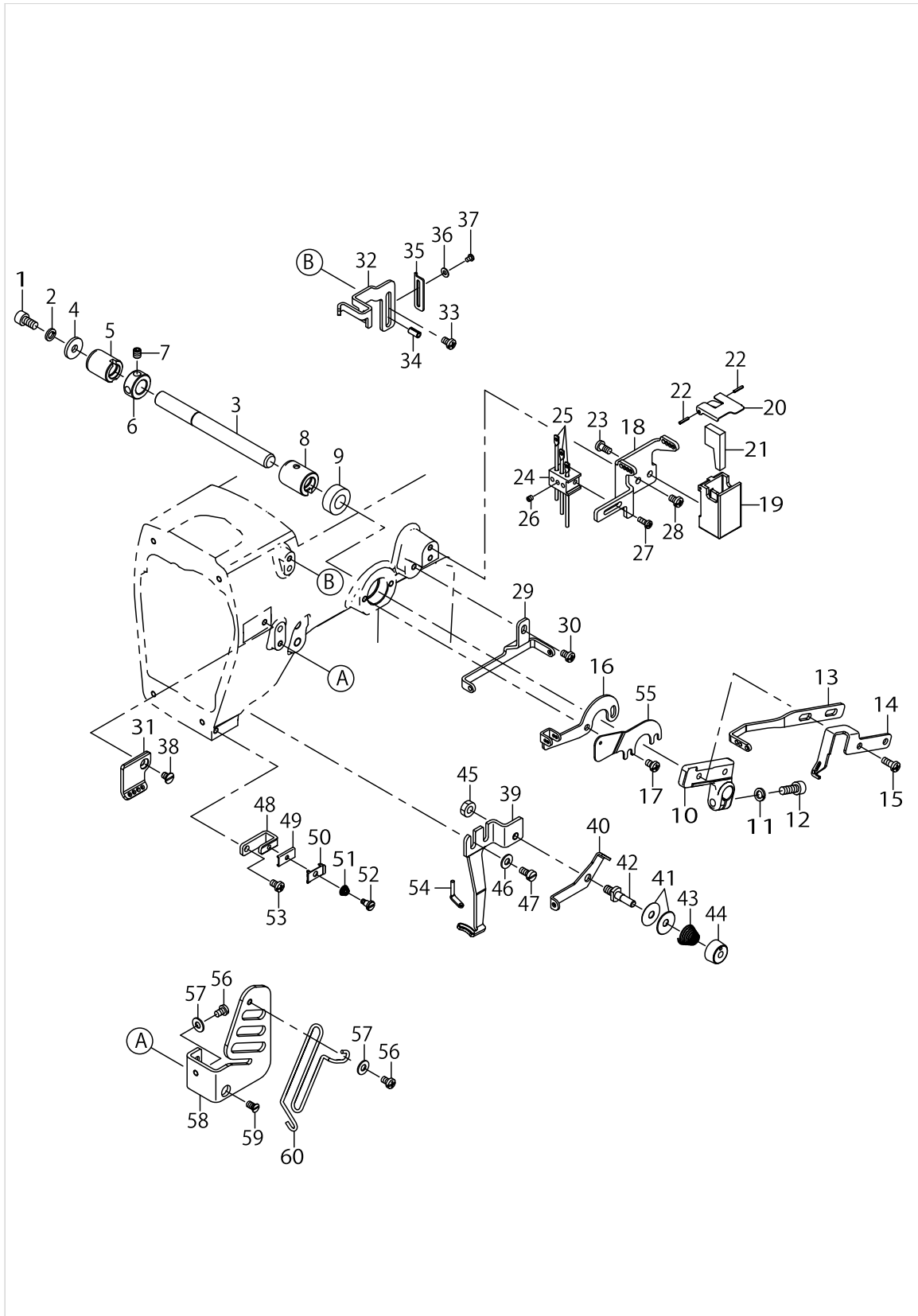
FEED DRIVE COMPONENTS (1)

No.	C- ons	Le- vel	Parts No.	Replacement	Supply Code	Parts name	Qty	R- ep. Q- TY	Status	Spec	Remarks
61			13317805			FEED ADJUST SHAFT	1				
62			70001510			BUSHING FEED FRONT	1				
63			13318506			TORSIN SPRING	1				
64			CS1000881TP			THRUST COLLAR D=10 W=	1				
65			SM4051255SP			SCREW	1				
66			SM8050612TP			SCREW M5X6	1				
67			B2556280000			SPRING	1				
68			SM6051602TP			SCREW M5X0.8 L=16	1				
69			NM6050001SC			NUT M5X0.8 TYPE1	1				
70			RC0741013KP			C-RING 8 (7.4)	1				
71			13398409			SHOULDER SCREW	1				
72			70001513			MAIN FEED ROCKER ASSY	1				
73		*	13319405			MAIN FEED ROCKER PIN	1				
74		*	70001506			MAIN FEED ROCKER	1				
75		*	SM6061202TP			SCREW M6 L=12	1				
76			13319504			MAIN FEED LINK	1				
77			13318605			MAIN FEED CRANK	1				
78			SM80606A2TP			SCREW M6 L=6	2				
79			13322201			ECCENTRIC PIN	1				
80			SM8060552TP			SCREW M6 L=5	1				
81			13322003			FEED BAR SHAFT	1				
82			RO137230100			O-RING	1				
83			SM8040612TP			SCREW M4 L=6	1				
84			13322102			WASHER FEED BAR SHAF1	1				
85			CS1000881TP			THRUST COLLAR D=10 W=	1				
86			SM8050612TP			SCREW M5X6	2				
87			70001523			POSITIONING CAM HORIZO	1				
88			SM8060612TP			SCREW M6 L=6	2				
89			70001524			FEED ECCENTRIC SCREW	1				
90			70001525			FEED ECCENTRIC PIN	1				
91			70001526			FEED ECCENTRIC	1				
92			SM8050412TP			SCREW M5 L=4	2				
93			70001527			POSITIONING CAM VERTIC	1				
94			70001507			FEED BAR GUIDE 1	1				
95			SM8050812TP			SCREW M5X8	1				
96			70001508			FEED BAR GUIDE 2	1				
97			WP0480856SP			WASHER 4.8X8.4X0.8	2				
98			SM6040800SP			SCREW	2				
99			SM8050412TP			SCREW M5 L=4	2				
100			70001532			FELT FOR FEED BAR GUIE	1				
101			70001533			OIL PROTECTION SHEILD	1				

FEED DRIVE COMPONENTS (2)



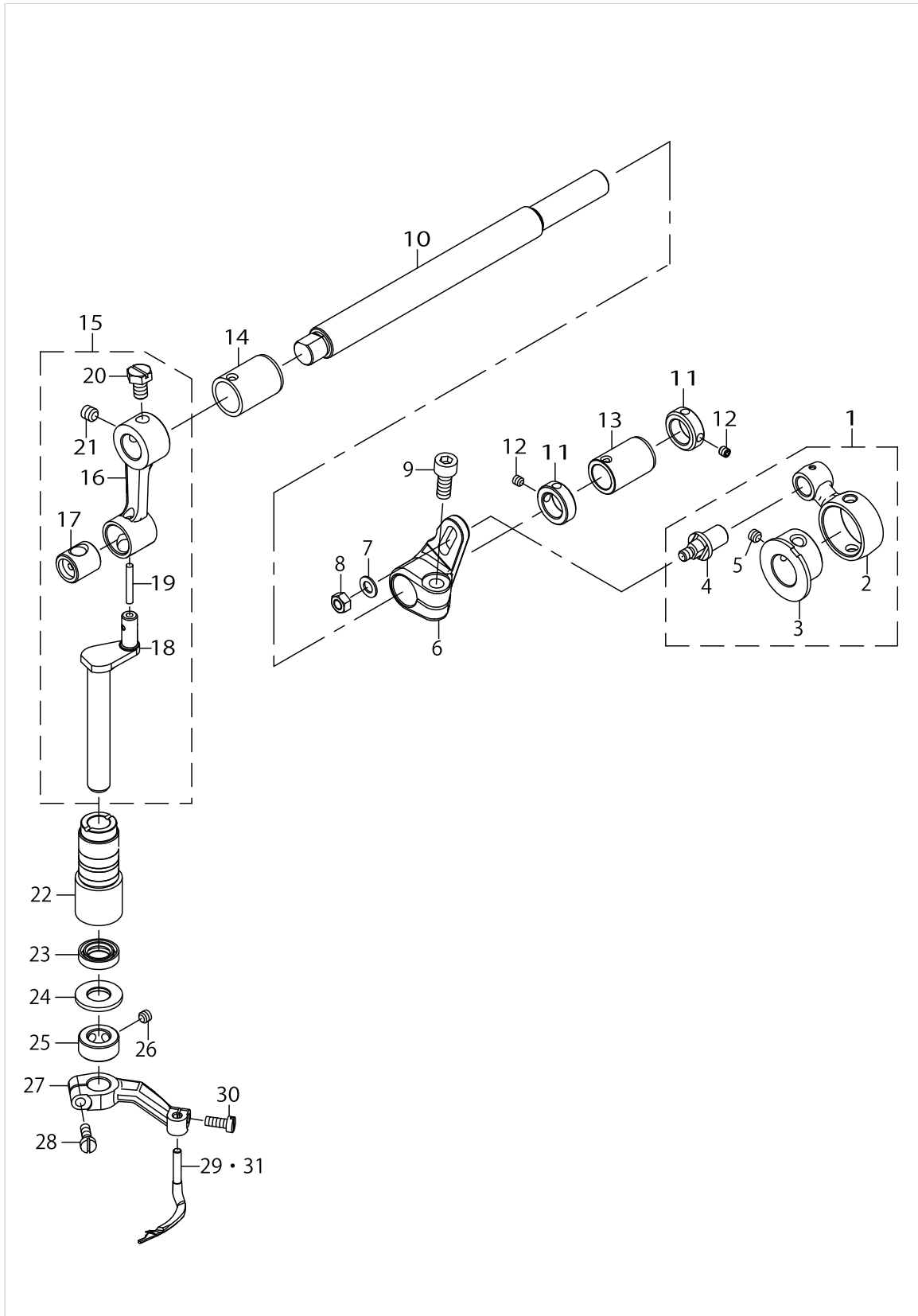
THREAD TAKE-UP LEVER COMPONENTS



THREAD TAKE-UP LEVER COMPONENTS

No.	C- ons	Le- vel	Parts No.	Replacement	Supply Code	Parts name	Qty	R- ep. Q- TY	Status	Spec	Remarks
1			SM6051002TP			SCREW M5X0.8 L=10	1				
2			WS0510002KP			SPRING WASHER 5.1X9.2X1	1				
3			70001537			SHAFT	1				
4			WP0522016SH			WASHER	1				
5			13324504			BUSHING REAR	1				
6			CS1000881TP			THRUST COLLAR D=10 W=	1				
7			SM8050612TP			SCREW M5X6	2				
8			13324603			BUSHING FRONT	1				
9			23612609			FEED CHANGING SHAFT C	1				
10			13324702			HOLDER TAKE UP EYELET	1				
11			WS0510002KN			SPRING WASHER M5	1				
12			SM6051402TP			SCREW M5X0.8 L=14	1				
13			70001548			NDL THD TAKE UP	1				
14			13324900			UP LPR THREAD TAKE UP	1				
15			SM4041055SP			SCREW	2				
16			13325006			THREAD GUIDE	1				
17			SM4040655SP			SCREW M4 L=6	2				
18			70001540			THREAD TENSION GUIDE	1				
19			13348008			TANK	1				
20			70001546			SILICONE OIL TANK COVE	1				
21			B9214850000			HEAT REMOVING FELT	1				
22			PS0150082KH			SPRING PIN 1.5X8	2				
23			ST4040851SN			TAPPING SCREW M4X8	2				
24			13325204			HOLDER	1				
25			30391601	40074316	Replaced	NEEDLE THREAD EYELET	3	1.00			
26			SM8030312TP			SCREW M3 L=3	3				
27			SM4030855SN			SCREW M3 L=8.0	1				
28			SM4040655SP			SCREW M4 L=6	2				
29			70001541			THREAD GUIDE	1				
30			SM4040655SP			SCREW M4 L=6	1				
31			70001542			THREAD GUIDE	1				
32			70001543			NDL THD STRIKE OFF	1				
33			SM4040655SP			SCREW M4 L=6	1				
34			PS0400082KP			SPRING PIN TYPE W 4X8	1				
35			13326905			NDL THD STRIKE OFF R	1				
36			WP0280501SC			WASHER M2.6	1				
37			SM48504C5SP			SCREW	1				
38			SM1040650TP			SCREW	1				
39			13326301			THREAD GUIDE UPPER LPI	1				
40			13326400			THREAD GUIDE	1				
41			22945802			THREAD TENSION DISK	2				
42			13326509			TENSION POST	1				
43			22945505			THREAD TENSION SPRING	1				
44			13326608			TENSION NUT	1				
45			NM6050001SC			NUT M5X0.8 TYPE1	1				
46			WP0450826SC			WASHER 4.5X10X0.8	2				
47			SM6040800SP			SCREW	2				
48			13325808			NIPPER PLATE SUPPORT	1				
49			13325907			NIPPER PLATE	1				
50			13326004			NIPPER GUIDE PLATE	1				
51			13326103			SPRING	1				
52			13326202			SHOULDER SCREW	1				
53			SM4040655SP			SCREW M4 L=6	1				
54	☆		13326707			THREAD GUIDE	1				
55			40085995			FINGER GUARD	1				
56			SM40405C5SP			SCREW	2				
57			WP0450801SC			WASHER 4.5X10X0.8	2				
58			70001544			TAKE UP COVER	1				
59			SM1040750TP			SCREW M4 L=7	1				
60			70001545			FINGER GUARD	1				

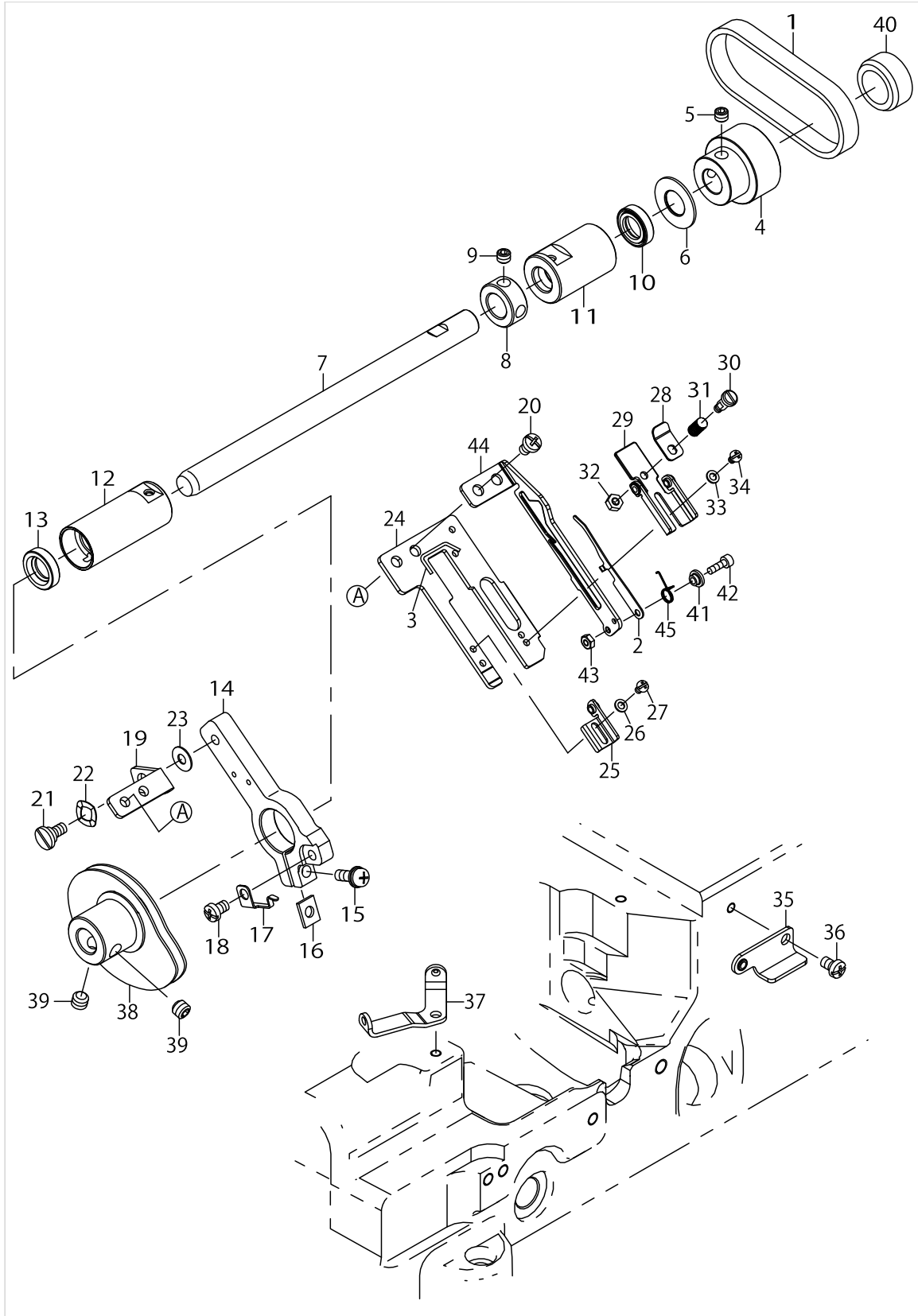
SPREADER COMPONENTS



SPREADER COMPONENTS

No.	C- ons	Le- vel	Parts No.	Replacement	Supply Code	Parts name	Qty	R- ep. Q- TY	Status	Spec	Remarks
1			13328158			ASSY UPPER LPR MECH	1				
2		*	13328109			CONNROD FOR UPPER LPI	1				
3		*	13328000			UPPER LOOPER ECCENTR	1				
4		*	13328208			STUD	1				
5		*	SM8050412TP			SCREW M5 L=4	2				
6			70001555			DRIVING ARM	1				
7			WP0550800SP			WASHER 5.5X10X0.8	1				
8			NM6050001SC			NUT M5X0.8 TYPE1	1				
9			SM6061402TP			SCREW M6 L=14	1				
10			70001558			UPPER LOOPER SHAFT	1				
11			13399209			COLLAR	2				
12			SM8040412TP			SCREW M4X4	4				
13			13329008			BUSHING REAR	1				
14			70001559			BUSHING_FRONT	1				
15			13328554			ASSY UPPER LPR MECH 2	1				
16		*	13328505			CRANK ROD	1				
17		*	13328604			UPPER LOOPER ROCKER	1				
18		*	13328703			UP LPR SHAFT VERTICAL	1				
19		*	CQ303000000			COTTON OIL WICK D=3	0.05				
20		*	SM9061050TP			SCREW M6 L=10	1				
21		*	SM8060612TP			SCREW M6 L=6	1				
22			13329206			BUSHING VERTICAL	1				
23			13338900			OIL SEAL	1				
24			WP1022016SH			WASHER	1				
25			CS1000881TP			THRUST COLLAR D=10 W=	1				
26			SM8050412TP			SCREW M5 L=4	2				
27			13328802			UPPER LOOPER HOLDER	1				
28	☆		SM6041200SP			SCREW M4 L=12	1				
29	☆		70004223			UPPER_LOOPER	1				EXCEPT TYPE 1
30	☆		SM6041000SP			SCREW M4 L=10	1				
31	☆		70004224			UPPER_LOOPER	1				TYPE TURKEY

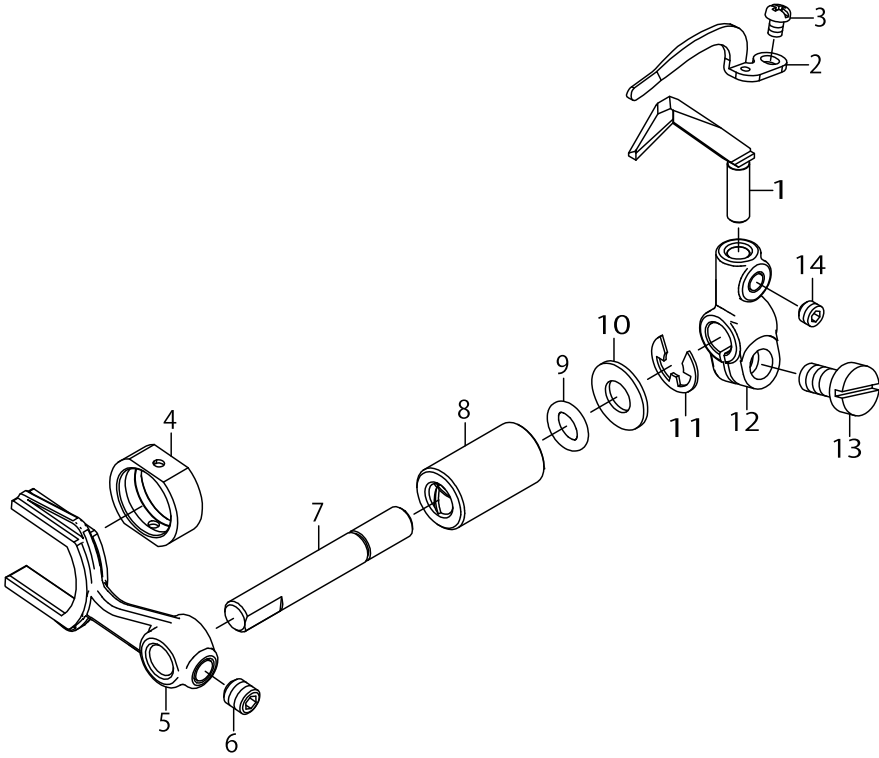
LOWER THREAD CAM COMPONENTS



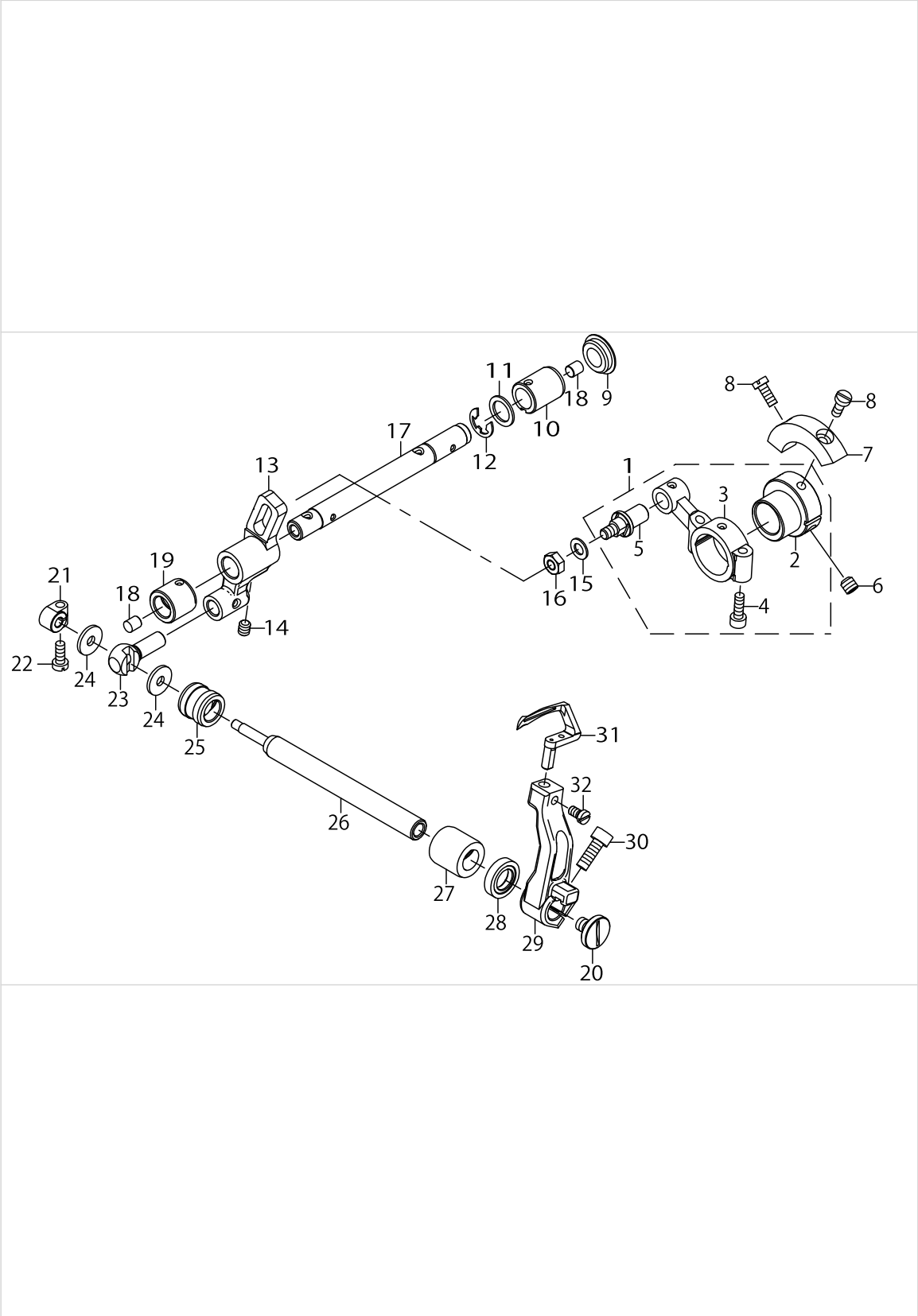
LOWER THREAD CAM COMPONENTS

No.	C- ons	Le- vel	Parts No.	Replacement	Supply Code	Parts name	Qty	R- ep. Q- TY	Status	Spec	Remarks
1			70001987			BELT TAKE UP	1				
2			70001582			THREAD GUIDE PLATE	1				
3			40087068			CAM THREAD CATCH	1				
4			70001580			SPROCKET TAKE UP	1				
5			SM8050612TP			SCREW M5X6	2				
6			70001581			WASHER	1				
7			70001572			SHAFT TAKE UP	1				
8			CS1000881TP			THRUST COLLAR D=10 W=	1				
9			SM8050612TP			SCREW M5X6	2				
10			40023441			OIL SEAL	1				
11			70001573			BUSHING A TAKE UP	1				
12			40023481			BUSHING B TAKE UP	1				
13			40023441			OIL SEAL	1				
14			13332309			BASE TAKE UP PLATE	1				
15			SL4041281SC			SCREW M4 L=12	1				
16	☆		13333208			WASHER	1				
17	☆		13332903			SPRING	1				
18			SM4040655SP			SCREW M4 L=6	1				
19			13332804			BRACKET	1				
20			SM4040655SP			SCREW M4 L=6	2				
21			SD064024CSP			SHOULDER SCREW D=6.35	1				
22			WZ0641510KP			WAVED WASHER 6.4X11X0	1				
23			WP0410516SD			PLAIN WASHER	1				
24			70001579			TAKE UP PLATE	1				
25	☆		40100791			EYELET A ASSY	1				
26			WP0280500SC			WASHER	1				
27			SM48504C5SP			SCREW	1				
28			13333307			LPR THD DISC UPPER	1				
29	☆		40100793			LPR THD GUIDE BASE ASS	1				
30			13333505			TENSION POST	1				
31			13333604			LOOPER CAM SPRING	1				
32			NM6030001SC			NUT M3X0.5 TYPE1	1				
33			WP0280500SC			WASHER	1				
34			SM4850455SP			SCREW	1				
35			70001575			EYELET C ASSY	1				
36			SM4040655SP			SCREW M4 L=6	1				
37			13333703			EYELET D	1				
38	☆		40019335			ASSY TAKE UP	1				
39			SM8060552TP			SCREW M6 L=5	2				
40			TA2101002R0			RUBBER PLUG	1				
41			70001584			SPRING COLLAR	1				
42			SM6850802TN			SCREW M2.5 L=8	1				
43			NM6850001SC			NUT M2.5X0.45 TYPE1	1				
44			70001585			THREAD GUIDE	1				
45	☆		70001583			THREAD GUIDE PLATE SPI	1				

NEEDLE GUARD COMPONENTS



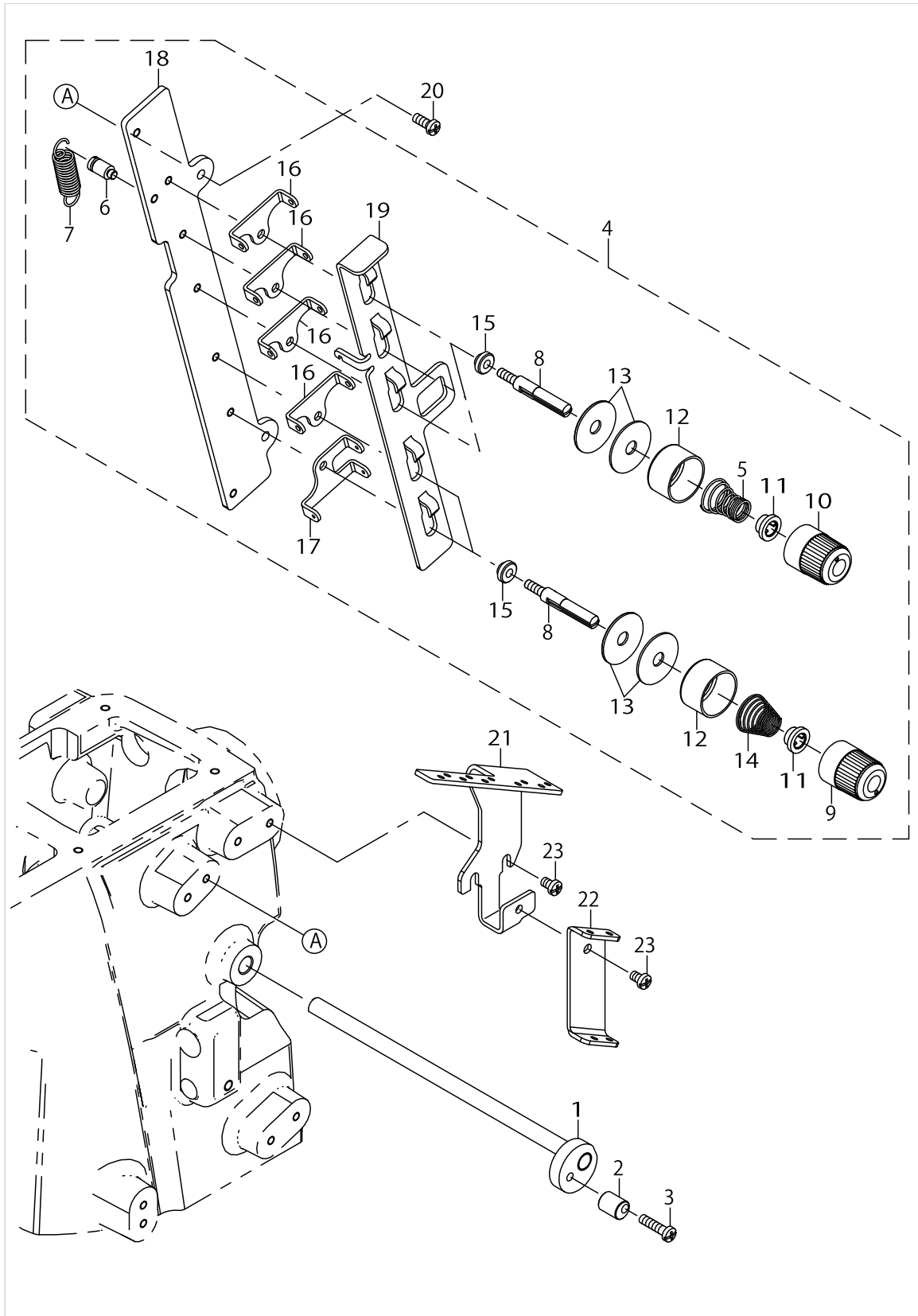
LOOPER COMPONENTS



LOOPER COMPONENTS

No.	C- ons	Le- vel	Parts No.	Replacement	Supply Code	Parts name	Qty	R- ep. Q- TY	Status	Spec	Remarks
1			13337357			ECC LOOPER AVOID ASSY	1				
2		*	13337308	13337357	Replaced	ECC LOOPER AVOID	1	1.00			
3		*	13337407	13337357	Replaced	LOOPER ROD AVOID	1	1.00			
4		*	SM6041202TP			SCREW M4X0.7 L=12	2				
5		*	13337506			PIN LOOPER AVOID	1				
6			SM8060612TP			SCREW M6 L=6	2				
7			13338801			BALANCE WEIGHT LP	1				
8			SM6041000SP			SCREW M4 L=10	2				
9			TA1600406R0			PRUG	1				
10			70001601			BUSHING LPR RIGHT	1				
11			WP1021026SH			WASHER	1				
12			RE0700000K0			E-RING 7	1				
13			13337605			CRANK LOOPER AVOID	1				
14			SM8050612TP			SCREW M5X6	1				
15			WP0550800SP			WASHER 5.5X10X0.8	1				
16			NM6050001SC			NUT M5X0.8 TYPE1	1				
17			13338504			LOOPER SHAFT AVOID	1				
18			TA0500601M0			PLUG D=5X5.4 L=6	2				
19			70001602			BUSHING LPR LEFT	1				
20			40052522			SCREW	1				
21			13337704			COLLAR LOOPER AVOID	1				
22			SM6041000SP			SCREW M4 L=10	1				
23			13337803			LOOPER AVOID PIN	1				
24			WP0461516SH			WASHER	2				
25			70001603			BUSHING LPR SHAFT REAR	1				
26			40050448			LOOPER SHAFT	1				
27			70001604			BUSHING LPR SHAFT FRONT	1				
28			13338900			OIL SEAL	1				
29	☆		40050449			LOOPER HOLDER	1				
30			SM6051402TP			SCREW M5X0.8 L=14	1				
31	☆		13337902			LOOPER	1				
32			SM6040750TP			SCREW M4 L=7	1				

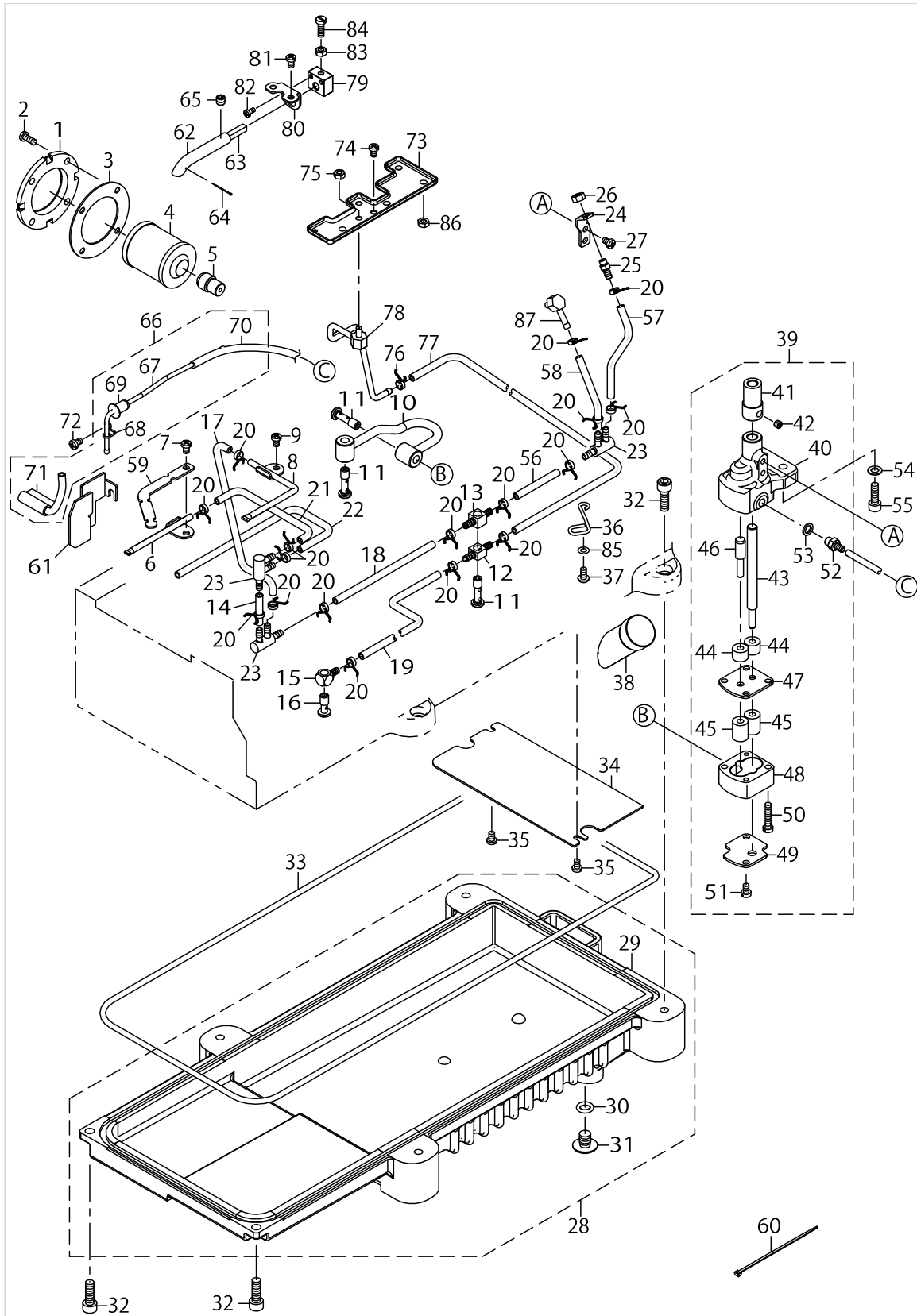
THREAD TENSION COMPONENTS



THREAD TENSION COMPONENTS

No.	C- ons	Le- vel	Parts No.	Replacement	Supply Code	Parts name	Qty	R- ep. Q- TY	Status	Spec	Remarks
1			70001610			ASSY PULL OFF LEVER	1				
2			40065785			TENS RELEASE ADJ ECC	1				
3			SM4041655SP			SCREW M4 L=16	1				
4			70001612			THREAD TENSION ASSY	1				
5		*	13140504			TENSION SPRING	3				
6		*	13340302			SHOULDER SCREW	1				
7		*	26019000		Disconinue	THREAD TENSION SPRING	1				
8		*	70001620			TENSION POST	5				
9		*	40042363			KNOB	2				
10		*	40042364			KNOB GREEN	3				
11		*	40042365			SPRING BUSHING	5				
12		*	40042366			THREAD TENSION DISK PF	5				
13		*	40101602			THREAD TENSION DISC	10				
14		*	40102003			SPRING	2				
15		*	70001617			SPACER	5				
16		*	70001615			TENSION DISC EYELET A	4				
17		*	70001616			TENSION DISC EYELET B	1				
18		*	70001613			TENSION POST SUPPORT	1				
19		*	70001614			TENSION DISC SEPARATOI	1				
20			SM4041055SP			SCREW	2				
21			13340005			THREAD GUIDE PLATE	1				
22			13340104			THREAD GUIDE	1				
23			SM4040655SP			SCREW M4 L=6	3				

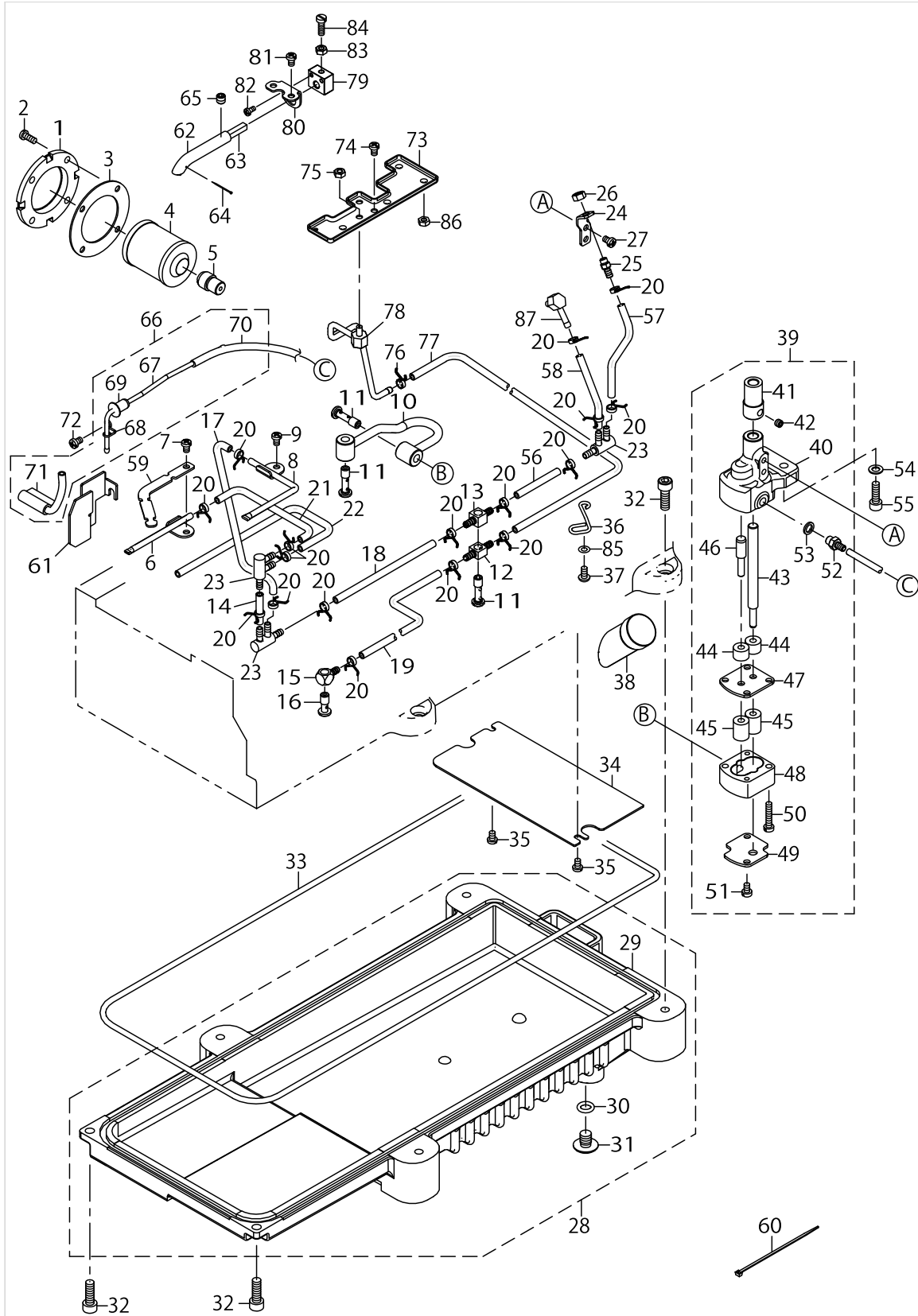
LUBRICATION COMPONENTS



LUBRICATION COMPONENTS

No.	C- ons	Le- vel	Parts No.	Replacement	Supply Code	Parts name	Qty	R- ep. Q- TY	Status	Spec	Remarks
1			13345202			FILTER COVER	1				
2			SM4041055SP			SCREW	4				
3			13344809			GASKET O	1				
4	☆		13142500			CARTRIDGE FILTER	1				
5			13343801			FITTING FILTER	1				
6			13346556			ASSY OIL SUPPLY	1				
7			SM4040655SP			SCREW M4 L=6	1				
8			13345855			OIL SUPPLY ASSY	1				
9			SM4040655SP			SCREW M4 L=6	1				
10			70001634			ASSY OIL PIPE	1				
11			SQ2060442SD			CONNECTING SCREW	3				
12			SQ0000454MZ			CONNECTING SCREW	1				
13			SQ0000453MZ			CONNECTING SCREW	1				
14			BP30000010R			VINYL PIPE	.04				
15			SQ0000452MZ			CONNECTING SCREW	1				
16			SQ2060441SD			CONNECTING SCREW	1				
17			BP30000010R			VINYL PIPE	.12				
18			BP30000010R			VINYL PIPE	.12				
19			BP30000010R			VINYL PIPE	.19				
20			23629306			PIPE STOPPER A	17				
21			BP30000010R			VINYL PIPE	.1				
22			BP30000010R			VINYL PIPE	.2				
23			23629504			DISTRIBUTOR	3				
24			13346705			CONNECTING SCR BRACK	1				
25			SQ2050452MZ			CONNECTING SCREW	1				
26			NM6050001SC			NUT M5X0.8 TYPE1	1				
27			SM4040655SP			SCREW M4 L=6	2				
28			40024405			ASSY OIL PAN	1				
29	*		13345509			OIL PAN	1				
30	*		13170105			RUBBER RING	1				
31	*		13171004	SM0081001SD	Replaced	DRAIN SCREW	1	1.00			
32			SM6061802TP			SCREW M6 L=18	6				
33			13345608			O RING	1				
34			13345905			COVER PLATE	1				
35			SM4040655SP			SCREW M4 L=6	2				
36			70001636			OIL TUBE HOLDER	1				
37			SM4040855SP			SCREW	1				
38			13346101			OIL SIGHT GAUGE	1				
39			13345459			ASSY PUMP 2-STAGE	1				
40	*		13343108	13345459	Replaced	OIL PUMP HOUSING	1	1.00	選択部品	MF-7700	
40	*		13343108	13426051	Replaced	OIL PUMP HOUSING	1	1.00	選択部品	MF-7800	
41	*		13343009			WORM WHEEL	1				
42	*		SM8050412TP			SCREW M5 L=4	2				
43	*		13345400	13345459	Replaced	OIL PUMP SHAFT LARGE	1	1.00			
44	*		13228309			OIL PUMP PINION	2				
45	*		13228200			OIL PUMP PINION	2				
46	*		13227905			GEAR PUMP SHAFT	1				
47	*		13343405	13345459	Replaced	OIL PUMP SPACER	1	1.00	選択部品	MF-7700	
47	*		13343405	13426051	Replaced	OIL PUMP SPACER	1	1.00	選択部品	MF-7800	
48	*		13343207	13345459	Replaced	OIL PUMP CASING	1	1.00	選択部品	MF-7700	
48	*		13343207	13426051	Replaced	OIL PUMP CASING	1	1.00	選択部品	MF-7800	
49	*		13343306	13345459	Replaced	OIL PUMP COVER	1	1.00	選択部品	MF-7700	
49	*		13343306	13426051	Replaced	OIL PUMP COVER	1	1.00	選択部品	MF-7800	
50	*		SM6042000SP			SCREW	2				
51	*		SM6040600SP			SCREW M4 L=6	2				
52	*		SQ2060451MZ			CONNECTING SCREW	1				
53	*		40004749			GASKET	1				
54			WP0550800SP			WASHER 5.5X10X0.8	2				
55			SM6051602TP			SCREW M5X0.8 L=16	2				
56			BP30000010R			VINYL PIPE	.05				

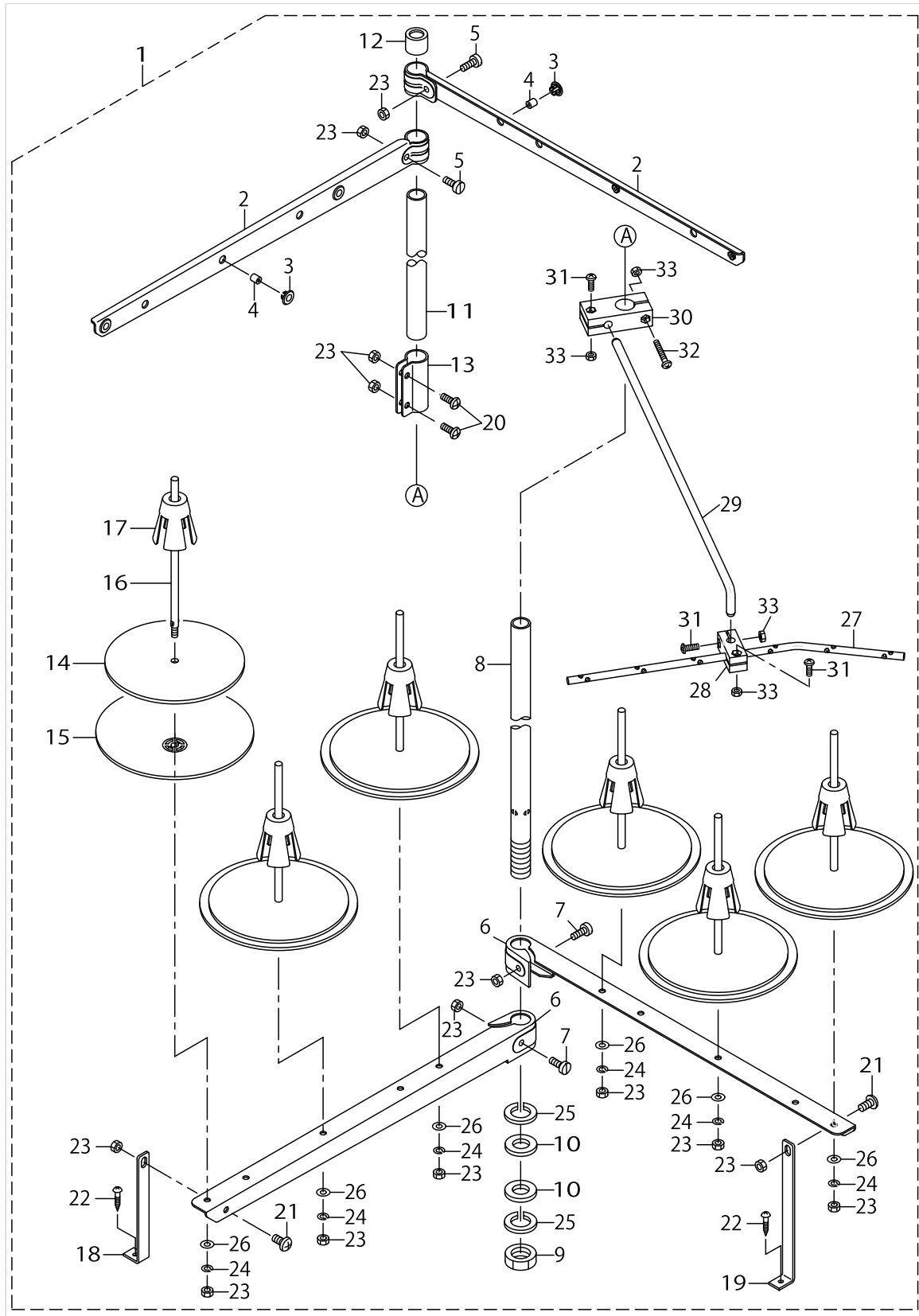
LUBRICATION COMPONENTS



LUBRICATION COMPONENTS

No.	C- ons	Le- vel	Parts No.	Replacement	Supply Code	Parts name	Qty	R- ep. Q- TY	Status	Spec	Remarks
57			BP30000010R			VINYL PIPE	.14				
58			BP30000010R			VINYL PIPE	.1				
59			70001639			PIPE HOLDER	1				
60			EA9500B0100			CABLE BAND	5				
61			13343900			OIL PROTECTION SHIELD	1				
62			13343603			OIL TUBE	1				
63			70001630			FELT FOR HEAD LUB	1				
64			11856101			NEEDLE COOLER PIN	1				
65			SM8060812TP			SCREW M6 L=8	1				
66			13344056			ASSY HEAD SUCTION	1				
67		*	13344601			SUCTION PIPE	1				
68		*	13344502			PIPE CLAMP	1				
69		*	13344700			BUSHING FOR SUCTION	1				
70		*	23630007			TUBE	0.43				
71		*	13344155	13344056	Replaced	ASSY HEAD SUCTION 2	1	1.00			
72			SM4040655SP			SCREW M4 L=6	1				
73			70001631			OIL SAUCER	1				
74			SM4040655SP			SCREW M4 L=6	2				
75			NM6040000SN			NUT M4	1				
76			23629306			PIPE STOPPER A	1				
77			BP30000010R			VINYL PIPE	.5				
78			13345053			ASSY OIL SUPPLY FOR TO	1				
79			70001632			LUBRICATION ADJUSTING	1				
80			70001633			LUBRICATION ADJUSTING	1				
81			SM4040655SP			SCREW M4 L=6	2				
82			SM4030855SN			SCREW M3 L=8.0	2				
83			NM6040000SN			NUT M4	1				
84			SM6041200SP			SCREW M4 L=12	1				
85			WP0450801SC			WASHER 4.5X10X0.8	1				
86			NM6040000SN			NUT M4	1				
87			70001975			ASSY_OIL_SUPPLY	1				

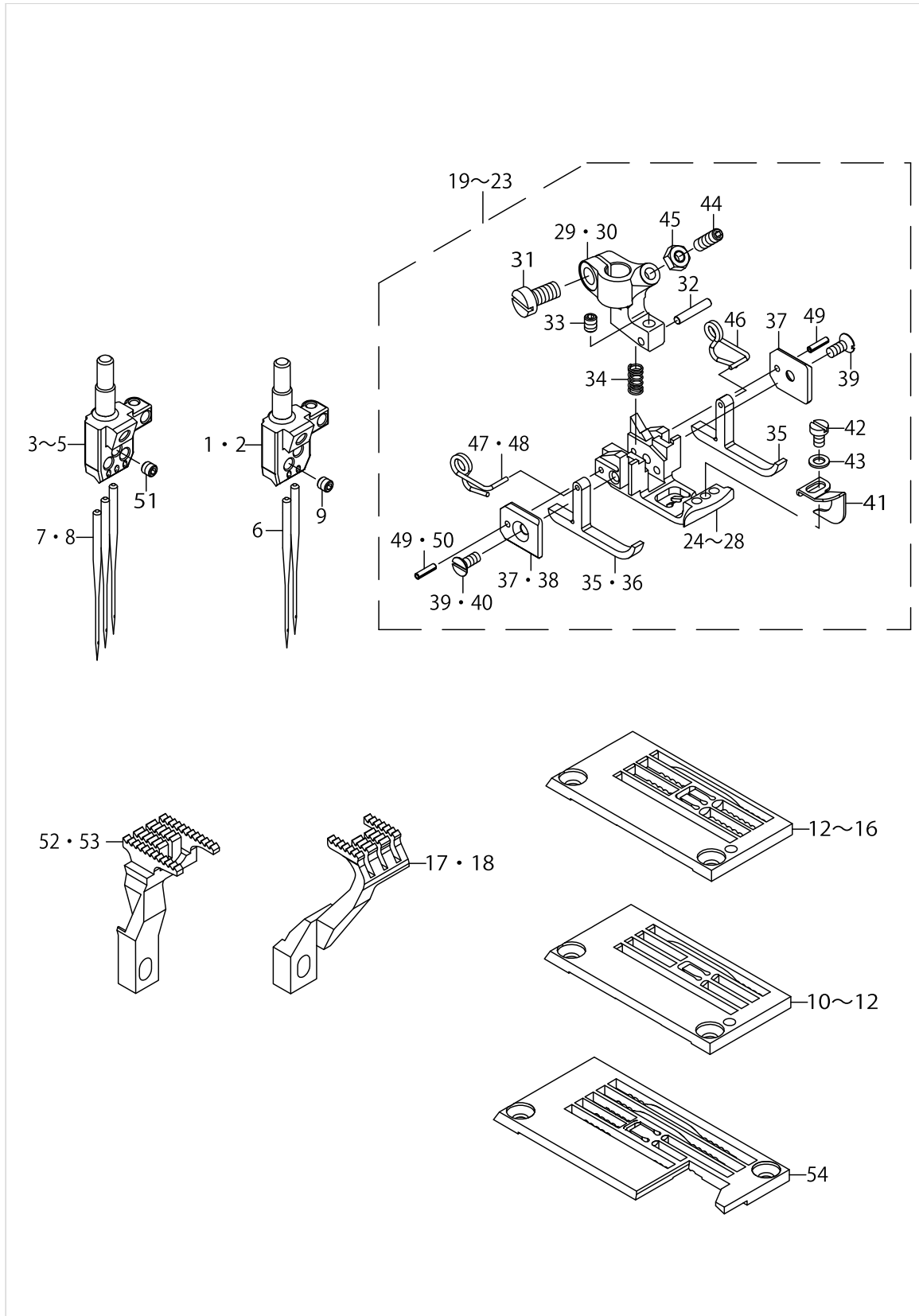
THREAD STAND COMPONENTS



THREAD STAND COMPONENTS

No.	C- ons	Le- vel	Parts No.	Replacement	Supply Code	Parts name	Qty	R- ep. Q- TY	Status	Spec	Remarks
1			40106592	40106586	Replaced	THREAD STAND ASM.	1	1.00			
2	☆	*	40106575			SPOOL REST LONG ARM U	2				
3		*	40085795			THREAD GUIDE BUSHING	6				
4		*	40085794			THREAD GUIDE	6				
5		*	40096327	SM4053001SE	Replaced	SPOOL REST ARM UPPER S	2	1.00			
6		*	40106574			SPOOL REST LONG ARM L	2				
7		*	40096326			SPOOL REST ARM LOWER	2				
8		*	40085784			SPOOL REST ROD LOWER	1				
9		*	40096325			SPOOL REST ROD NUT	1				
10		*	40085796			SPOOL REST ROD RUBBER	2				
11		*	40085785			SPOOL REST ROD UPPER	1				
12		*	40085793			SPOOL REST ROD RUBBER	1				
13		*	40085792			SPOOL REST ROD JOINT	1				
14		*	40085789			SPOOL REST CUSHION	6				
15		*	40085788			SPOOL REST	6				
16		*	40085790			SPOOL PIN	6				
17		*	40085791			SPOOL RETAINER	6				
18	☆	*	40106577			SPOOL REST ARM LOWER	1				
19	☆	*	40106578			SPOOL REST ARM LOWER	1				
20		*	SM4051405SE			SCREW M5 L=14	2				
21	☆	*	SM4051001SE			SCREW M5 L=10	2				
22	☆	*	SK3412001SE			WOOD SCREW D=4.1 L=20	2				
23	☆	*	NM6050001SE			NUT M5X0.8 TYPE1	14				
24		*	WP0531001SC			WASHER M5	6				
25		*	WP1612616SE			WASHER 16X30X2.6	2				
26		*	WS0510002KN			SPRING WASHER M5	6				
27	☆	*	40106583			THREAD GUIDE 6	1				
28		*	40106580			THREAD GUIDE UNDER BA	1				
29	☆	*	40106576			THREAD GUIDE ARM	1				
30		*	40106579			THREAD GUIDE ARM BASE	1				
31		*	SM4041201SC			SCREW M4X0.7 L=12	3				
32		*	SM4042501SC			SCREW M4X0.7 L=25	1				
33		*	NM6040002SC	NM6040002SE	Replaced	NUT M4X0.7 TYPE2	4	1.00			

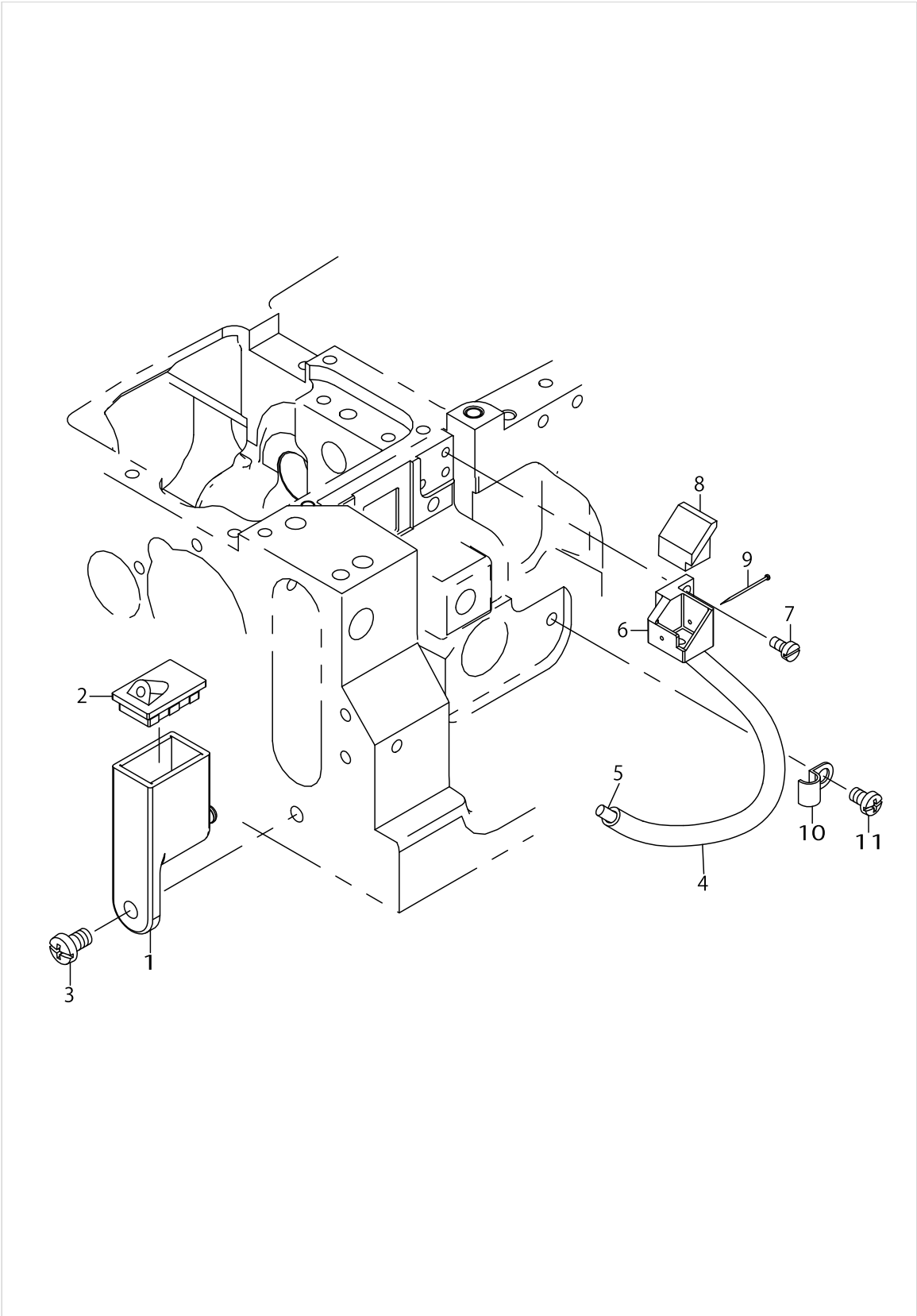
GAUGE PARTS COMPONENTS



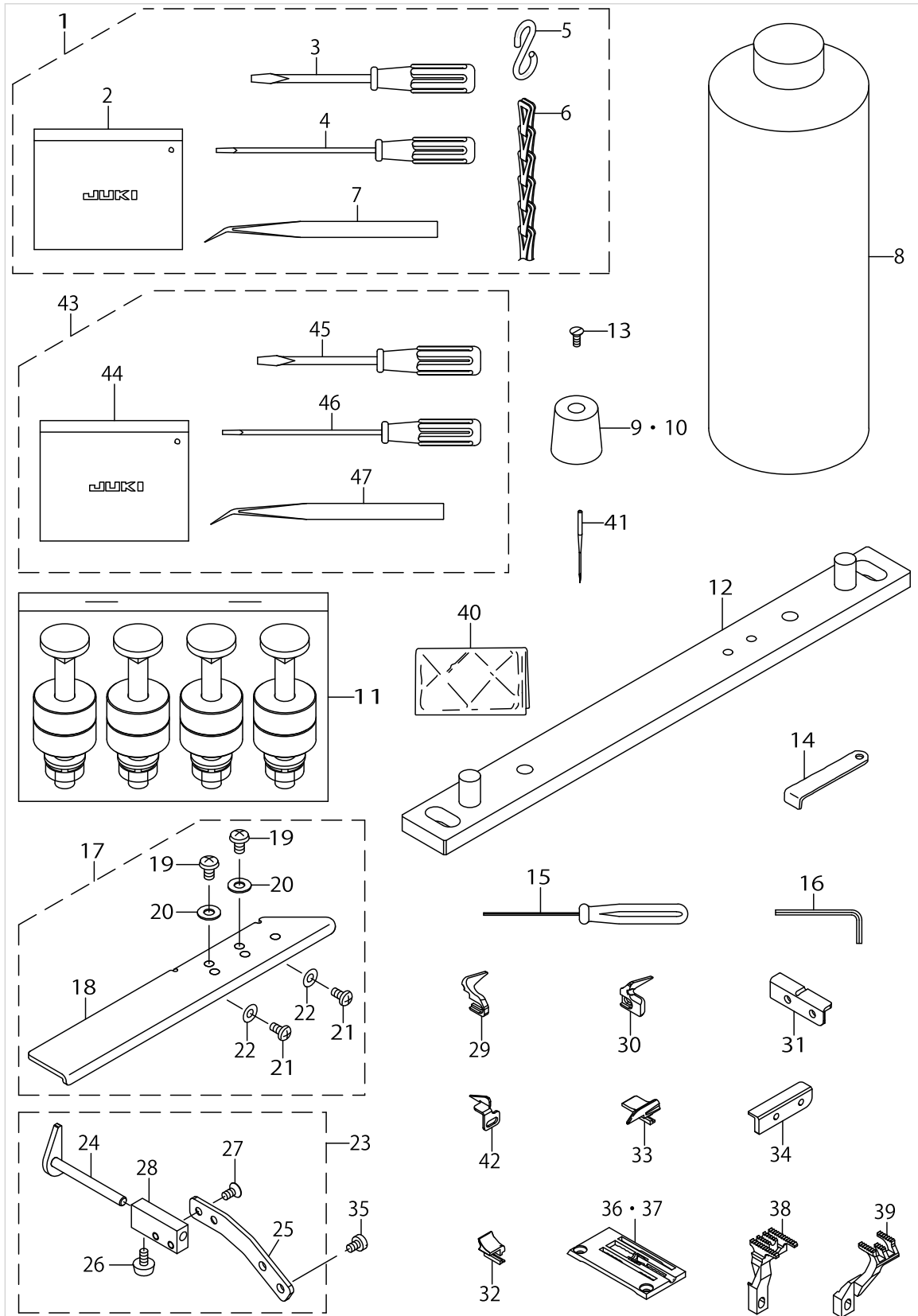
GAUGE PARTS COMPONENTS

No.	C- ons	Le- vel	Parts No.	Replacement	Supply Code	Parts name	Qty	R- ep- Q- TY	Status	Spec	Remarks
1			13350004			NEEDLE HEAD 32	1				FOR B32
2			13350103			NEEDLE HEAD 40	1				FOR B40
3			13350202			NEEDLE HEAD 48	1				FOR B48
4			13350301			NEEDLE HEAD 56	1				FOR B56
5			13350400			NEEDLE HEAD 64	1				FOR B64
6			MUY128S1000			NEEDLE UYX128GAS (S BA	2				FOR B32,B40
7			MUY128S1000			NEEDLE UYX128GAS (S BA	3				FOR B48,B56,B6
8			MUY128S1400			NEEDLE UYX128GAS (S BA	3				FOR JJ
9			SM8030312TP			SCREW M3 L=3	3				FOR B48,B56,B6
10			40058587			THROAT PLATE	1				FOR B32
11			40058706			THROAT PLATE	1				FOR B40
12			70004610			THROAT_PLATE	1				OPTIONAL PAR
13			40040514			THROAT PLATE	1				FOR B48
14			40058033			THROAT PLATE	1				FOR B56
15			40040513			THROAT PLATE	1				FOR B64
16			40082978			THROAT_PLATE	1				FOR JJ
17			13358304			DIFF FEED DOG	1				FOR B32,B40,B4
18			13357603			DIFF FEED DOG	1				FOR B56,B64,JJ
19			40090133			PRESSER FOOT ASSY	1				FOR B32
20			40090196			PRESSER FOOT ASSY	1				FOR B40
21			40090197			PRESSER FOOT ASSY	1				FOR B48
22			40082974			PRESSER FOOT ASSY	1				FOR B56,B64,JJ
23			70004613			PRESSER_FOOT_ASSY	1				OPTIONAL PAR
24		*	40090130			PRESSER FOOT BOTTOM	1				FOR B32
25		*	40090131			PRESSER FOOT BOTTOM	1				FOR B40
26		*	40090132			PRESSER FOOT BOTTOM	1				FOR B48
27		*	40082975	40082974	Replaced	PRESSER FOOT BOTTOM	1	1.00			FOR B56,B64,JJ
28		*	70004612			PRESSER_FOOT_BOTTOM	1				OPTIONAL PAR
29		*	40070224			PRESSER FOOT HINGE	1				EXCEPT OPTIO
30		*	13467907			PRESSER_FOOT_SHANK	1				OPTIONAL PAR
31		*	SM6040800SP			SCREW	1				
32		*	13375209			PIVOT PIN	1				
33		*	SM8030412TP			SCREW	1				
34		*	13377106			SPRING	1				
35		*	40070226			P_F_YIELDING SECTION	2				EXCEPT OPTIO
36		*	40038032			YIELDING SECTION	1				OPTIONAL PAR
37		*	40070227			GUIDE PLATE	2				EXCEPT OPTIO
38		*	13468103			YIELDING_SECTION_PLATE	1				OPTIONAL PAR
39		*	SM1850600SP			SCREW	2				EXCEPT OPTIO
40		*	SM1850600SP			SCREW	1				OPTIONAL PAR
41		*	40070231			PRESSER FOOT GUIDE	1				EXCEPT OPTIO
42		*	SM6850400SP			SCREW M2.5 L=4	1				EXCEPT OPTIO
43		*	WP0280500SC			WASHER	1				EXCEPT OPTIO
44		*	SM8031002TP			SCREW	1				EXCEPT OPTIO
45		*	NM6030001SD			NUT M3X0.5 TYPE1	1				EXCEPT OPTIO
46		*	40070230			SPRING R	1				EXCEPT OPTIO
47		*	40070229			SPRING L	1				EXCEPT OPTIO
48		*	13375308			SPRING_L	1				OPTIONAL PAR
49		*	PS0150065KP			SPRING PIN 1.5X6	2				EXCEPT OPTIO
50		*	PS0150082KH			SPRING PIN	1				OPTIONAL PAR
51			SM8030312TP			SCREW M3 L=3	4				FOR B32,B40
52			13354204			MAIN FEED DOG	1				FOR B32,B40,B4
53			13353701			MAIN FEED DOG	1				FOR B56,B64,JJ
54			70004611			THROAT_PLATE	1				OPTIONAL PAR

NEEDLE COOLING COMPONENTS



ACCESSORIES PARTS COMPONENTS



ACCESSORIES PARTS COMPONENTS

No.	C- ons	Le- vel	Parts No.	Replacement	Supply Code	Parts name	Qty	R- ep. Q- TY	Status	Spec	Remarks
1			40013913			ACCESSORY BAG ASSY	1				
2		*	22932800			ACCESSORIE BAG	1				
3		*	22933105			SCREW DRIVER	1				
4		*	12347308			SCREW DRIVER (SMALL)	1				
5		*	13160304			S SHAPED HOOK	2				
6		*	70001840			CHAIN	1				
7		*	12288403			TWEEZERS	1				
8	☆		MML018800CB	MML018900CA	Replaced	JUKI CORPORATION GENU	1	1.00			
9			40072505			ISOLATOR	1				
10			13155403			ISOLATOR	3				
11			13348966			ASSY BOLT SET	1				
12			13348859			SUPPORT PLATE ASSY	2				
13			13302203			SCREW	1				
14			B9101490000			DRIVER	1				
15			40032763			HEXAGONAL DRIVER(1.5)	1				
16			J106600000B			HEXAGONAL ROD SPANNE	1				
17			40099374			BINDER BRACKET ASSY	1				
18		*	40099373			BINDER BRACKET	1				
19		*	SM5050855SN			SCREW M5 L=8	2				
20		*	WP0550836SC			WASHER 5.5X12X0.8	2				
21		*	SM4040855SP			SCREW	2				
22		*	WP0450801SP			WASHER	2				
23			70001964			HEM GUIDE ASSY	1				
24		*	70001967			HEM GUIDE	1				
25		*	70001962			HEM GUIDE BASE 1	1				
26		*	40019379			KNOB SCREW	1				
27		*	SM1040801SC			SCREW M4X0.7 L=8	2				
28		*	70001963			HEM GUIDE BASE 2	1				
29	☆		70001813			COVERING GUIDE RIGHT	1				
30	☆		70001814			COVERING GUIDE LEFT	1				
31	☆		40099375			BRACKET B	1				
32	☆		70001838			COVERING GUARD L	1				
33	☆		70001839			COVERING GUARD R	1				
34	☆		70001846			BRACKET	1				
35			SM6040650TP			SCREW	2				
36			13352307			THROAT PLATE	1				FOR B56
37			13352406			THROAT PLATE	1				FOR B64
38			70001946			MAIN FEED DOG	1				FOR B56,B64
39			70001947			DIFF FEED DOG	1				FOR B56,B64
40			40066644			HEAD_COVER	1				
41			MUY128S1003			NEEDLES(PACKAGE_OF_3)	1				
42	☆		70001842			GUIDE LEFT	1				
43			70004227			ACCESSORY BAG ASSY	1				FOR UT35,UT37
44		*	22932800			ACCESSORIE BAG	1				
45		*	22933105			SCREW DRIVER	1				
46		*	12347308			SCREW DRIVER (SMALL)	1				
47		*	12288403			TWEEZERS	1				

LIST FOR INFORMATION OF CHANGE

As to the place changed, refer to the corresponding Rev.No.
 When previous parts(Obsoleted part)and new parts(Added parts)are
 not interchangeable with each other:
 In this case,even obsoleted parts(D.)can be ordered with the
 obsoleted part number,so select the parts with changed dates and
 place your orders.

変更箇所は、該当Rev.No.版をご参照ください。
 部品の互換性がない変更の場合は、削除された品番でも、ご注文できます。

70001995
 No.1595-02 Rev.No.

*A:Added parts追加部品/D:Obsoleted parts削除部品/E:Erratum訂正

* Rev. No.	Page 頁	Ref. No.	Parts No. 品番	* Rev. No.	Page 頁	Ref. No.	Parts No. 品番
D 01	4	11	SM-1041400-SP	A 02	4	11	SM-10414C0-SP
D 01	4	22	SM-6040750-TP	A 02	4	22	SM-60407C0-TP
D 01	4	50	SM-8040412-TP	A 02	4	50	SM-8040312-TP
D 01	4	62	SD-0600266-TP	A 02	4	62	700-04493
D 01	4	69	WP-0450000-SD	A 02	4	69	WP-0501016-SD
D 01	6	5	SB-1200018-00				
				A 02	6	5	400-17824
D 01	6	6	134-07408	A 02	6	6	700-04640
D 01	6	9	SB-1200015-00	A 02	6	9	700-04197
D 01	6	15	700-01446	A 02	6	15	700-04630
D 01	6	27	SB-1100023-00	A 02	6	27	700-05086
D 01	6	35	700-03278	A 02	6	35	700-04489
D 01	6	39	700-01458	A 02	6	39	700-04484
D 01	8	16	SD-0700206-TP	A 02	8	16	SD-070020C-TP
D 01	8	24	SD-0700586-TP	A 02	8	24	SD-070058C-TP
D 01	8	26	SM-6062550-TP	A 02	8	26	SM-60625C0-TP
				A 02	8	46	700-04371
D 01	12	35	700-03995				
D 01	14	37	SM-4850455-SP	A 02	14	37	SM-48504C5-SP
D 01	14	56	SM-4040655-SP	A 02	14	56	SM-40405C5-SP
D 01	16	29	700-01556	A 02	16	29	700-04223
D 01	16	31	700-01563	A 02	16	31	700-04224
D 01	18	21	SD-0640246-SP	A 02	18	21	SD-064024C-SP
D 01	18	27	SM-4850455-SP	A 02	18	27	SM-48504C5-SP
				A 02	28	12	700-04610
				A 02	28	23	700-04613
				A 02	28	28	700-04612
				A 02	28	30	134-67907
				A 02	28	36	400-38032
				A 02	28	38	134-68103
				A 02	28	40	SM-1850600-SP
				A 02	28	48	133-75308
				A 02	28	50	SP-0150082-KH
				A 02	28	54	700-04611

HOW TO MAKE USE OF THIS PARTS LIST

1.Explanation of codes

1)"*"mark.....means this part is changed from the previous parts book.

As to the details of the change, refer to the "List for information of change".

2)"#01".....refer to "Note" explanation at bottom of page.

2.Codes on the "Qty" column

- Each numeral indicates the number of parts required.
- "0.1" and "2.5" indicate the length (in meters) of the respective parts.

3.Parentheses mean that the corresponding part is a subpart that constructs an assembly part.

4.Dotted lines on the Figures indicate assembly parts.

5.As to the parts with marks of "☆"(consumable parts) and "◎"(optional parts)on the respective parts, it is recommended to prepare spares.

1 ."注記"欄の記号説明

1) "*"印.....前回のパーツブックに比較して今回変更された部品を意味します。

変更内容は、"変更情報リスト"を参照してください。

2) "#01".....ページ下の"注記"の説明を参照してください。

2.数量欄の数字は、個数を表し、0.1、2.5等の数値は、長さ（単位メートル）を表します。

3.数量欄の（ ）は、組部品を構成している子部品であることを意味します。

4.イラストページの-----枠は、組構成であることを意味します。

5.リストページの"☆"（消耗部品）、"◎"（オプション部品）の印がついた部品は、予備を準備しておくことをお奨めします。

NUMERICAL INDEX OF PARTS

PART NO	PAGE	REF NO.	PART NO	PAGE	REF NO.	PART NO	PAGE	REF NO.
10753309	2	9	13311451	14	65	13322102	18	84
11856101	36	64	13311501	12	58	13322201	18	79
11856101	42	9	13311600	14	67	13322409	16	30
12288403	44	47	13311808	14	64	13323209	20	25
12347308	44	46	13311907	14	63	13323308	16	8
13123302	20	10	13311956	14	62	13323407	16	9
13140504	32	5	13312103	12	55	13323506	16	10
13142500	34	4	13312202	12	56	13323803	16	5
13155403	44	10	13312301	12	57	13324108	8	21
13160304	44	5	13313101	12	3	13324108	10	64
13170105	34	30	13313309	12	4	13324504	22	5
13171004	34	31	13313804	12	11	13324603	22	8
13217401	20	13	13314109	12	15	13324702	22	10
13217500	20	12	13314356	12	17	13324900	22	14
13217708	20	8	13315908	12	8	13325006	22	16
13227905	34	46	13317201	16	12	13325204	22	24
13228200	34	45	13317300	16	19	13325808	22	48
13228309	34	44	13317409	16	20	13325907	22	49
13300801	2	12	13317508	16	21	13326004	22	50
13301700	2	15	13317607	16	22	13326103	22	51
13301809	4	25	13317706	16	24	13326202	22	52
13302104	4	53	13317805	18	61	13326301	22	39
13302203	4	24	13317904	16	57	13326400	22	40
13302203	44	13	13318001	16	48	13326509	22	42
13302302	4	49	13318100	16	49	13326608	22	44
13302708	4	46	13318209	16	47	13326707	22	54
13304209	4	54	13318308	16	54	13326806	12	60
13304308	4	48	13318506	18	63	13326905	22	35
13305107	4	45	13318605	18	77	13328000	24	3
13307251	8	48	13318704	16	14	13328109	24	2
13307301	8	53	13318803	16	15	13328158	24	1
13307509	8	13	13318902	16	16	13328208	24	4
13307707	10	76	13319009	16	42	13328505	24	16
13307806	10	67	13319405	18	73	13328554	24	15
13308457	8	8	13319504	18	76	13328604	24	17
13308507	8	37	13319702	16	32	13328703	24	18
13308705	8	28	13319900	16	35	13328802	24	27
13308804	8	1	13319959	16	34	13329008	24	13
13309208	10	73	13320007	16	36	13329206	24	22
13309307	10	68	13320106	16	37	13332309	26	14
13309406	10	69	13320304	20	18	13332804	26	19
13311006	12	47	13320403	20	19	13332903	26	17
13311204	12	48	13321203	20	4	13333208	26	16
13311253	12	45	13321708	16	28	13333307	26	28
13311303	12	54	13322003	18	81	13333505	26	30

NUMERICAL INDEX OF PARTS

PART NO	PAGE	REF NO.	PART NO	PAGE	REF NO.	PART NO	PAGE	REF NO.
13333604	26	31	13348859	44	12	40019335	26	38
13333703	26	37	13348966	44	11	40019379	44	26
13334701	28	2	13350004	40	1	40023441	26	13
13337308	30	2	13350103	40	2	40023481	26	12
13337357	30	1	13350202	40	3	40024405	34	28
13337407	30	3	13350301	40	4	40032763	44	15
13337506	30	5	13350400	40	5	40033341	2	14
13337605	30	13	13352307	44	36	40035711	8	43
13337704	30	21	13352406	44	37	40038032	40	36
13337803	30	23	13353701	40	53	40039630	20	3
13337902	30	31	13354204	40	52	40040206	20	1
13338504	30	17	13357603	40	18	40040513	40	15
13338801	30	7	13358304	40	17	40040514	40	13
13338900	24	23	13375209	40	32	40042363	32	9
13338900	30	28	13375308	40	48	40042364	32	10
13340005	32	21	13377106	40	34	40042365	32	11
13340104	32	22	13398409	18	71	40042366	32	12
13340302	32	6	13399209	24	11	40050448	30	26
13343009	34	41	13406707	8	3	40050449	30	29
13343108	34	40	13409800	4	28	40052522	30	20
13343207	34	48	13426903	4	2	40052924	28	1
13343306	34	49	13429105	42	2	40056919	42	1
13343405	34	47	13467907	40	30	40058033	40	14
13343603	36	62	13468103	40	38	40058587	40	10
13343801	34	5	22901805	2	34	40058706	40	11
13343900	36	61	22902506	2	2	40065785	32	2
13344056	36	66	22924708	2	11	40066644	44	40
13344155	36	71	22932800	44	44	40070224	40	29
13344502	36	68	22933105	44	45	40070226	40	35
13344601	36	67	22945505	22	43	40070227	40	37
13344700	36	69	22945802	22	41	40070229	40	47
13344809	34	3	23537202	12	18	40070230	40	46
13345053	36	78	23612609	22	9	40070231	40	41
13345202	34	1	23629306	34	20	40070573	12	2
13345400	34	43	23629306	36	76	40070574	12	1
13345459	34	39	23629504	34	23	40072505	44	9
13345509	34	29	23630007	36	70	40082196	4	21
13345608	34	33	26019000	32	7	40082974	40	22
13345855	34	8	30391601	22	25	40082975	40	27
13345905	34	34	31013808	20	22	40082978	40	16
13346101	34	38	40004749	34	53	40085784	38	8
13346556	34	6	40013913	44	1	40085785	38	11
13346705	34	24	40017824	8	5	40085788	38	15
13348008	22	19	40018443	20	21	40085789	38	14
13348305	42	8	40018922	8	10	40085790	38	16

NUMERICAL INDEX OF PARTS

PART NO	PAGE	REF NO.	PART NO	PAGE	REF NO.	PART NO	PAGE	REF NO.
40085791	38	17	70001424	4	18	70001514	20	28
40085792	38	13	70001426	4	26	70001515	20	29
40085793	38	12	70001431	4	27	70001516	20	30
40085794	38	4	70001436	4	58	70001517	20	31
40085795	38	3	70001437	8	45	70001518	20	32
40085796	38	10	70001439	8	46	70001521	16	1
40085995	22	55	70001440	8	56	70001522	16	3
40087068	26	3	70001441	8	59	70001523	18	87
40090130	40	24	70001442	8	60	70001524	18	89
40090131	40	25	70001443	8	51	70001525	18	90
40090132	40	26	70001444	10	65	70001526	18	91
40090133	40	19	70001445	8	2	70001527	18	93
40090196	40	20	70001447	8	25	70001528	16	26
40090197	40	21	70001448	8	26	70001530	20	7
40096325	38	9	70001451	8	30	70001531	20	17
40096326	38	7	70001453	8	31	70001532	18	100
40096327	38	5	70001477	12	37	70001533	18	101
40099371	4	37	70001478	12	35	70001535	10	62
40099373	44	18	70001480	12	5	70001536	10	63
40099374	44	17	70001481	12	6	70001537	22	3
40099375	44	31	70001483	12	9	70001540	22	18
40100791	26	25	70001485	12	13	70001541	22	29
40100793	26	29	70001486	12	19	70001542	22	31
40101602	32	13	70001487	12	29	70001543	22	32
40102003	32	14	70001488	12	32	70001544	22	58
40106574	38	6	70001489	12	33	70001545	22	60
40106575	38	2	70001490	12	34	70001546	22	20
40106576	38	29	70001491	12	39	70001548	22	13
40106577	38	18	70001492	12	42	70001555	24	6
40106578	38	19	70001493	12	43	70001558	24	10
40106579	38	30	70001494	12	22	70001559	24	14
40106580	38	28	70001495	12	25	70001572	26	7
40106583	38	27	70001498	12	21	70001573	26	11
40106592	38	1	70001499	12	7	70001575	26	35
70001407	2	28	70001500	14	66	70001579	26	24
70001409	2	7	70001505	16	2	70001580	26	4
70001411	2	1	70001506	18	74	70001581	26	6
70001414	4	29	70001507	18	94	70001582	26	2
70001415	4	13	70001508	18	96	70001583	26	45
70001416	2	5	70001509	16	29	70001584	26	41
70001418	4	41	70001510	16	41	70001585	26	44
70001420	4	1	70001510	18	62	70001587	28	5
70001421	2	13	70001511	16	43	70001588	28	12
70001422	2	22	70001512	16	60	70001589	20	26
70001423	4	15	70001513	18	72	70001590	28	7

NUMERICAL INDEX OF PARTS

PART NO	PAGE	REF NO.	PART NO	PAGE	REF NO.	PART NO	PAGE	REF NO.
70001591	28	8	70003316	8	22	MUY128S1003	44	41
70001592	28	4	70003331	8	44	MUY128S1400	40	8
70001601	30	10	70004184	8	34	NM6030001SC	26	32
70001602	30	19	70004197	8	9	NM6030001SD	40	45
70001603	30	25	70004223	24	29	NM6040000SN	2	19
70001604	30	27	70004224	24	31	NM6040000SN	4	57
70001610	32	1	70004227	44	43	NM6040000SN	36	86
70001612	32	4	70004371	12	46	NM6040002SC	38	33
70001613	32	18	70004484	8	39	NM6050001SC	18	69
70001614	32	19	70004489	8	35	NM6050001SC	22	45
70001615	32	16	70004493	6	62	NM6050001SC	24	8
70001616	32	17	70004610	40	12	NM6050001SC	30	16
70001617	32	15	70004611	40	54	NM6050001SC	34	26
70001620	32	8	70004612	40	28	NM6050001SE	38	23
70001630	36	63	70004613	40	23	NM6060001CP	12	27
70001631	36	73	70004630	8	15	NM6850001SC	26	43
70001632	36	79	70004631	8	16	PS0150065KP	40	49
70001633	36	80	70004632	8	18	PS0150082KH	22	22
70001634	34	10	70004633	8	17	PS0150082KH	40	50
70001636	34	36	70004640	8	6	PS0300162KH	16	58
70001638	8	57	70005086	8	27	PS0400082KP	22	34
70001639	36	59	B2556280000	18	67	PS0500142KP	12	20
70001644	42	6	B3215470000	16	52	RC0100001KP	16	40
70001659	4	44	B3538112000	42	10	RC0741013KP	18	70
70001813	44	29	B9101490000	44	14	RC1900002KP	4	3
70001814	44	30	B9214850000	22	21	RE0300000K0	4	42
70001830	6	64	BP30000010R	34	56	RE0300000K0	20	11
70001831	6	63	BP30000010R	36	77	RE0500000K0	16	55
70001837	2	27	BT0600402EA	42	4	RE0500000K0	28	11
70001838	44	32	CM300200001	2	29	RE0700000K0	30	12
70001839	44	33	CM300200001	6	65	RO055200100	16	51
70001840	44	6	CM301300001	2	26	RO055200100	28	9
70001842	44	42	CQ303000000	16	23	RO068190100	20	2
70001846	44	34	CQ303000000	24	19	RO137230100	18	82
70001946	44	38	CQ303000000	42	5	RO148240200	8	42
70001947	44	39	CS1000881TP	16	44	RO158240100	16	7
70001959	16	27	CS1000881TP	18	85	RO195240100	2	10
70001962	44	25	CS1000881TP	20	23	SB120001500	8	41
70001963	44	28	CS1000881TP	22	6	SB120001900	10	70
70001964	44	23	CS1000881TP	24	25	SB120002200	8	55
70001967	44	24	CS1000881TP	26	8	SB30800110A	12	49
70001975	36	87	EA9500B0100	36	60	SB30800110B	12	50
70001976	4	60	J106600000B	44	16	SB30800110C	12	51
70001978	4	8	MML018800CB	44	8	SB30800110D	12	52
70001987	26	1	MUY128S1000	40	7	SD0640246SP	2	20

NUMERICAL INDEX OF PARTS

PART NO	PAGE	REF NO.	PART NO	PAGE	REF NO.	PART NO	PAGE	REF NO.
SD064024CSP	26	21	SM4051055SP	6	66	SM6051602TP	4	59
SD070020CTP	12	16	SM4051255SP	18	65	SM6051602TP	18	68
SD070058CTP	12	24	SM4051255SP	20	14	SM6051602TP	34	55
SD0801326TH	16	33	SM4051405SE	38	20	SM6061200SP	10	75
SK3412001SE	38	22	SM4060801SE	2	21	SM6061202TP	12	28
SL4041281SC	26	15	SM4850455SP	26	34	SM6061202TP	18	75
SM1030400SP	20	33	SM4850455SP	28	3	SM6061402TP	8	19
SM1040650TP	22	38	SM48504C5SP	22	37	SM6061402TP	10	61
SM1040750TP	22	59	SM48504C5SP	26	27	SM6061402TP	16	38
SM1040800SP	4	7	SM5040655SN	20	6	SM6061402TP	24	9
SM1040801SC	44	27	SM5050855SN	44	19	SM6061802TP	34	32
SM10414C0SP	4	11	SM6030402TP	16	56	SM60625C0TP	12	26
SM1850600SP	40	40	SM6030600SP	16	39	SM6850400SP	40	42
SM4030455SN	2	17	SM6030600SP	42	7	SM6850802TN	26	42
SM4030855SN	2	18	SM6030800SP	4	38	SM7051460TP	20	15
SM4030855SN	14	61	SM6040600SP	34	51	SM8030312TP	22	26
SM4030855SN	22	27	SM6040602TP	4	10	SM8030312TP	40	51
SM4030855SN	36	82	SM6040650TP	44	35	SM8030412TP	40	33
SM4040555SP	4	51	SM6040750TP	30	32	SM8031002TP	40	44
SM40405C5SP	22	56	SM60407C0TP	4	22	SM8040312TP	4	50
SM4040655SP	2	23	SM6040800SP	4	14	SM8040312TP	28	14
SM4040655SP	4	56	SM6040800SP	12	38	SM8040412TP	4	34
SM4040655SP	8	24	SM6040800SP	18	98	SM8040412TP	8	20
SM4040655SP	12	10	SM6040800SP	22	47	SM8040412TP	16	53
SM4040655SP	22	53	SM6040800SP	40	31	SM8040412TP	24	12
SM4040655SP	26	36	SM6041000SP	12	53	SM8040512TP	12	44
SM4040655SP	32	23	SM6041000SP	16	31	SM8040602TP	16	50
SM4040655SP	34	35	SM6041000SP	20	34	SM8040612TP	18	83
SM4040655SP	36	81	SM6041000SP	24	30	SM8050412TP	18	99
SM4040655SP	42	11	SM6041000SP	30	22	SM8050412TP	24	26
SM4040855SP	2	30	SM6041002TP	4	12	SM8050412TP	34	42
SM4040855SP	34	37	SM6041200SP	12	14	SM8050612TP	16	59
SM4040855SP	44	21	SM6041200SP	24	28	SM8050612TP	18	86
SM4041055SP	2	8	SM6041200SP	36	84	SM8050612TP	20	24
SM4041055SP	4	55	SM6041202TP	12	23	SM8050612TP	22	7
SM4041055SP	8	29	SM6041202TP	30	4	SM8050612TP	26	9
SM4041055SP	12	41	SM6042000SP	34	50	SM8050612TP	28	6
SM4041055SP	22	15	SM6050800SP	4	23	SM8050612TP	30	14
SM4041055SP	32	20	SM6051000SP	28	13	SM8050812TP	16	6
SM4041055SP	34	2	SM6051002TP	12	30	SM8050812TP	18	95
SM4041201SC	38	31	SM6051002TP	22	1	SM8060552TP	8	36
SM4041655SP	32	3	SM6051202TP	12	59	SM8060552TP	16	25
SM4042501SC	38	32	SM6051400SP	4	39	SM8060552TP	18	80
SM4050855SP	42	3	SM6051402TP	22	12	SM8060552TP	26	39
SM4051001SE	38	21	SM6051402TP	30	30	SM8060612TP	8	58

NUMERICAL INDEX OF PARTS

PART NO	PAGE	REF NO.	PART NO	PAGE	REF NO.
SM8060612TP	10	72	WP0450801SP	44	22
SM8060612TP	16	4	WP0450826SC	12	40
SM8060612TP	18	88	WP0450826SC	20	5
SM8060612TP	24	21	WP0450826SC	22	46
SM8060612TP	30	6	WP0460556SD	20	9
SM80606A2TP	18	78	WP0461516SH	30	24
SM8060812TP	8	54	WP0480856SP	18	97
SM8060812TP	36	65	WP0501016SD	6	69
SM8060842TP	8	49	WP0522016SH	22	4
SM8060842TP	10	71	WP0531000SC	4	31
SM8061212TP	8	47	WP0531000SD	4	4
SM8080812TP	10	74	WP0531001SC	38	24
SM9061050TP	24	20	WP0550800SP	4	43
SQ0000452MZ	34	15	WP0550800SP	24	7
SQ0000453MZ	34	13	WP0550800SP	30	15
SQ0000454MZ	34	12	WP0550800SP	34	54
SQ2050452MZ	34	25	WP0550836SC	44	20
SQ2060441SD	34	16	WP0551016SH	12	31
SQ2060442SD	34	11	WP0621016SD	20	16
SQ2060451MZ	34	52	WP0621016SD	28	10
ST4040851SN	22	23	WP1021026SH	30	11
TA0400301M0	4	9	WP1022016SH	24	24
TA0500601M0	16	46	WP1612616SE	38	25
TA0500601M0	30	18	WS0510002KN	22	11
TA0750404R0	20	27	WS0510002KN	38	26
TA0850604R0	2	33	WS0510002KP	4	30
TA0850604R0	4	47	WS0510002KP	22	2
TA1050504R0	2	3	WZ0641510KP	2	16
TA1050504R0	4	17	WZ0641510KP	6	61
TA1050504R0	6	70	WZ0641510KP	26	22
TA1250705R0	2	31			
TA1600406R0	30	9			
TA2050406R0	2	6			
TA2050416R0	4	16			
TA2050416R0	6	68			
TA2101002R0	6	67			
TA2101002R0	26	40			
TA2351004R0	2	24			
WP0280500SC	26	33			
WP0280500SC	40	43			
WP0280501SC	22	36			
WP0370316SD	16	18			
WP0410516SD	26	23			
WP0450801SC	22	57			
WP0450801SC	36	85			