

MODEL : MB-1373/MB-1377

List No : 1493-02

# PARTS LIST

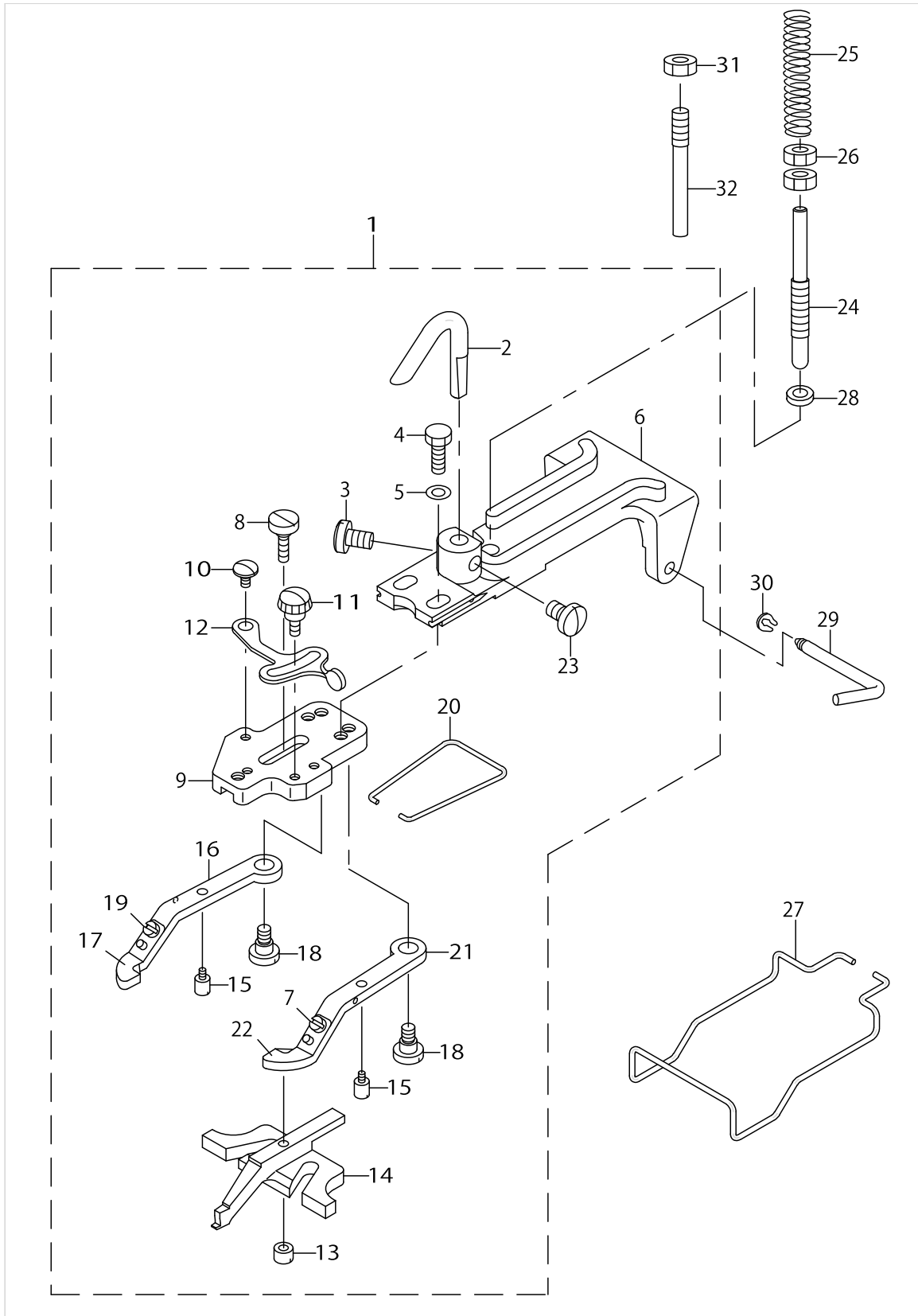
Published:10/31/2016

## CONTENTS

---

BUTTON CLAMP MECHANISM COMPONENTS .....	1
ARM & MISCELLANEOUS COVERS COMPONENTS.....	3
LOOPER SHAFT MECHANISM COMPONENTS .....	5
NIPPER & THREAD TENSION PARTS COMPONENTS .....	7
FEED PLATE COMPONENTS .....	9
BUTTON CLAMP LIFTER COMPONENT .....	13
NEEDLE DRIVING PULLEY SHAFT COMPONENTS .....	15
NEEDLE BAR DRIVING MECHANISM COMPONENTS.....	17
STOP MOTION MECHANISM COMPONENTS .....	19
STITCH SELECTING PARTS COMPONENTS .....	21
THREAD BIND NOTCH COMPONENTS(FOR MB-1377).....	23
THREAD STAND COMPONENTS.....	25
TABLE & STAND COMPONENTS.....	27
ACCESSORIE PARTS COMPONENTS .....	29
SPECIAL ORDER SPEC COMPONENTS.....	31
SUBCLASS COMPONENTS(FOR MB-1373-11).....	33
HOW TO MAKE USE OF THIS PARTS LIST .....	35

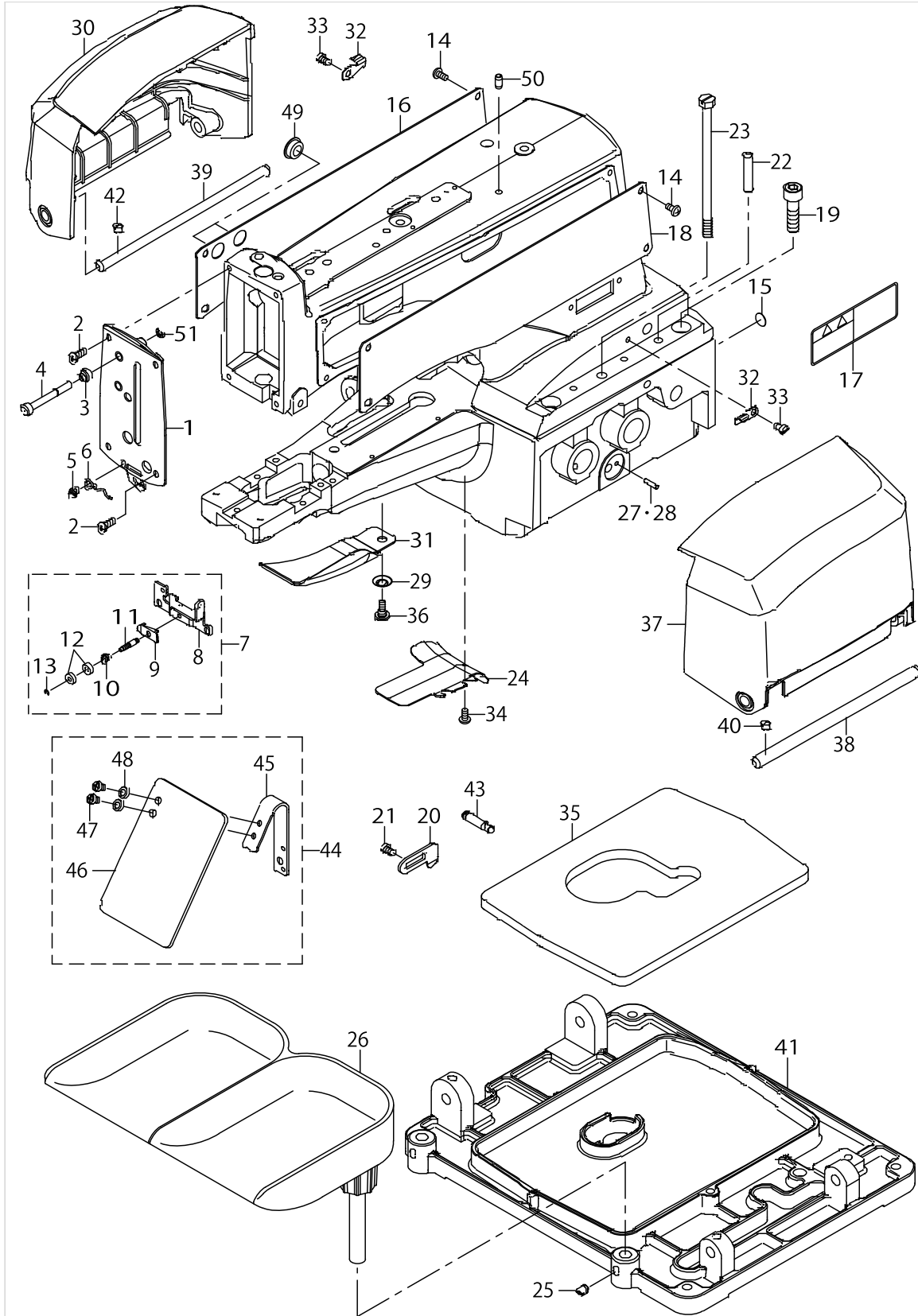
BUTTON CLAMP MECHANISM COMPONENTS



BUTTON CLAMP MECHANISM COMPONENTS

No.	C- ons	Le- vel	Parts No.	Replacement	Supply Code	Parts name	Qty	R- ep. Q- TY	Status	Spec	Remarks
1			26026856			PICK-UP DEVICE ASM.	1				
2		*	40041058			BUTTON CLAMP LIFTING I	1				
3		*	SS7150940SP			SCREW 15/64-28 L=9	1				
4		*	SS9621413SP			SCREW 3/16-32 L=13.5	2				
5		*	WP0501016SD			WASHER 5X10.5X1	2				
6		*	26025502			BUTTON CLAMP HOLDER	1				
7		*	SS7090410SP			SCREW 9/64-40 L= 3.5	1				
8		*	SD0550301SP			HINGE SCREW D=5.5 H=3	1				
9		*	26025403			JAW LEVER HOLDER	1				
10		*	SD0550181SP			HINGE SCREW D= 5.50 H=	1				
11		*	26025809			CLAMP SCREW A	1				
12		*	26025700	B2548372000	Replaced	SNAP FASTENER CLAMP S	1	1.00			
13		*	26026005			NUT	1				
14		*	26025908			BUTTON CLAMP SLIDE	1				
15		*	26026609	B2560372000	Replaced	BUTTON CLAMP STOP PIN	2	1.00			
16		*	26026104	B2555372000	Replaced	BUTTON CLAMP LEVER JA	1	1.00			
17		*	26026203	B2556372000	Replaced	BUTTON HOLDING SPRINC	1	1.00			
18		*	SD0640391TP			HINGE SCREW D= 6.35 H=	2				
19		*	SS7090410SP			SCREW 9/64-40 L= 3.5	1				
20		*	26026708	B2561372000	Replaced	BUTTON CLAMP SPRING	1	1.00			
21		*	26026302	B2557372000	Replaced	BUTTON CLAMP LEVER JA	1	1.00			
22		*	26026401	B2558372000	Replaced	BUTTON HOLDING SPRINC	1	1.00			
23		*	SS7150940SP			SCREW 15/64-28 L=9	1				
24			40040938			BUTTON_CLAMP_PRESSUR	1				
25			26027102			PRESSURE ADJUSTING SPR	1				
26			NM6060001CP			NUT M6	2				
27			26027409			FINGER GUARD	1				
28			40041069			SPRING_HOLDING_PLATE	1				
29			26025205			HINGE PIN	1				
30			B2541372000			SNAP RING	1				
31			NM6060001CP			NUT M6	1				
32			40040937			PICK_UP_DEVICE_STOPPER	1				

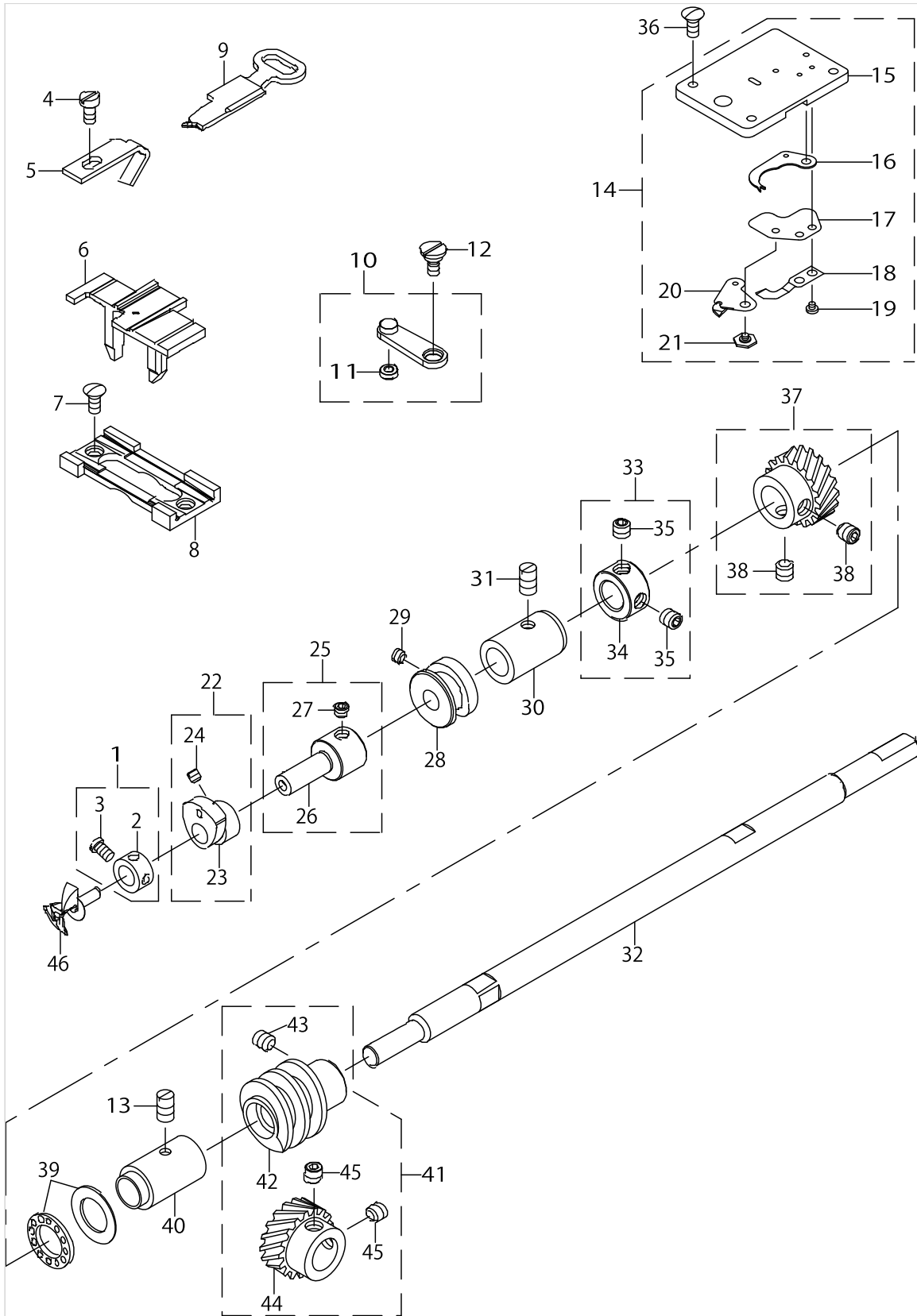
ARM & MISCELLANEOUS COVERS COMPONENTS



ARM & MISCELLANEOUS COVERS COMPONENTS

No.	C- ons	Le- vel	Parts No.	Replacement	Supply Code	Parts name	Qty	R- ep. Q- TY	Status	Spec	Remarks
1			40038426			FACE_PLATE_COMPL.	1				
2			SM4040855SP			SCREW	4				
3			26021600			TENSION SPRING	1				
4			26032003			NIPPER RELEASING STUD	1				
5			SM6040650TP			SCREW	1				
6			26031203			THREAD GUIDE NO.4	1				
7			26031351			THREAD TENSION NO.3 AS	1				
8		*	26031302			TENSION ADJUSTING BASE	1				
9		*	26031401	10129104	Replaced	THREAD PRESSER PLATE	1	1.00			
10		*	26031500	B1136850000	Replaced	TENSION SPRING B	1	1.00			
11		*	26031609	25002809	Replaced	THREAD TENSION STUD	1	1.00			
12		*	26031708	26031351	Replaced	THREAD TENSION NUT	2	1.00			
13		*	RE0200000K0			E-RING 2	1				
14			SM4040855SP			SCREW	8				
15			TA2050406R0			RUBBER PLUG	1				
16			40040931			SIDE_COVER_RIGHT	1				
17			CM301300001			SAFETY LABEL	1				
18			40040932			SIDE_COVER_LEFT	1				
19			SM6083042CH			SCREW M8 L=30	4				
20			26033704			STOPPER	1				
21			SM6050800SP			SCREW M5 L=8	2				
22			26011205			GUIDE PIN	2				
23			40038483			SET_SCREW	1				
24			40038431			BED_OIL_SHIELD	1				
25			SM8060610TP			SCREW	1				
26			40041022			BUTTON_TRAY_ASM.	1				
27			26022608			CAM INDICATING PIN A	2				SELECTIVE PAF
28			26022707			CAM INDICATING PIN B	2				SELECTIVE PAF
29			WS0650389KP			SPRING WASHER 6.5X14.0.	1				
30			40038425			SIDE_COVER_LEFT	1				
31			40038430			LOOPER_COVER	1				
32			40041067			SIDE_COVER_SPRING	2				
33			SM6040600SP			SCREW M4 L=6	2				
34			SM4040855SP			SCREW	2				
35			40038173			OIL_DRIP_FELT	1				
36			SD0600277TP			SHOULDER SCREW D=6 H=	1				
37			40038424			SIDE_COVER_RIGHT	1				
38			40040936			SIDE_COVER_HINGE_SHAF1	2				
39			40040935			SIDE_COVER_HINGE_SHAF1	1				
40			SM8060612TP			SCREW M6 L=6	1				
41			40038446			MACHINE.SUB.BASE	1				
42			SM8060612TP			SCREW M6 L=6	1				
43			40038471			SUSPENSION_SCREW_B	1				
44			40054729			ASSY SAFETY PLATE	1				
45		*	40054730			SAFETY PLATE INSTALLIN	1				
46		*	26037200			SAFETY PLATE	1				
47		*	SM4040655SP			SCREW M4 L=6	2				
48		*	WP0430800SD			WASHER M4	2				
49			TA1250406R0			RUBBER PLUG D=12.5 L=4	2				
50			PS0500102KH			SPRING PIN 5.0X10	1				
51			RE0320000K0			E-RING 3.2	1				

LOOPER SHAFT MECHANISM COMPONENTS

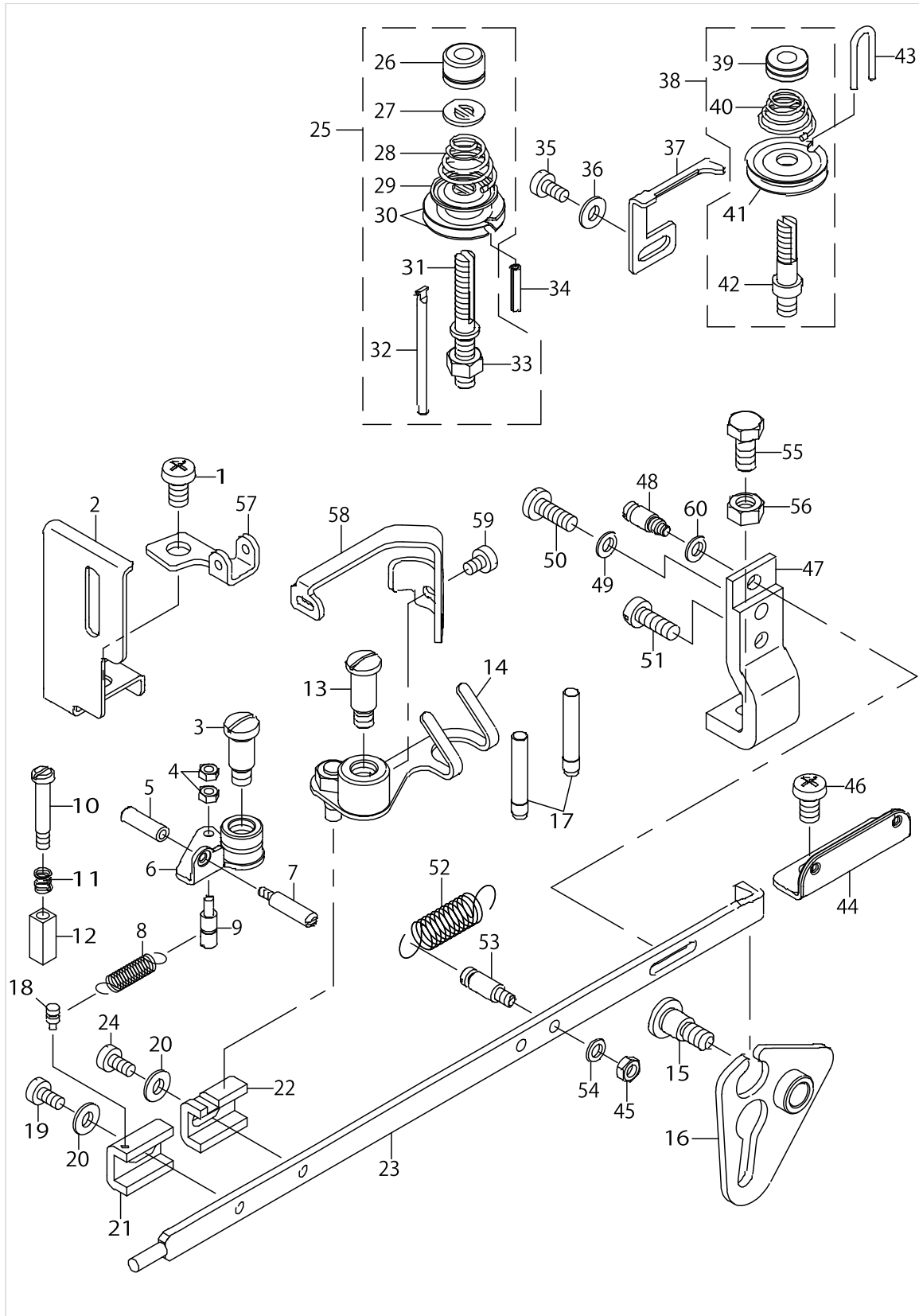


LOOPER SHAFT MECHANISM COMPONENTS

No.	C- ons	Le- vel	Parts No.	Replacement	Supply Code	Parts name	Qty	R- ep. Q- TY	Status	Spec	Remarks
1			CS079072ATH			THRUST COLLAR ASM.	1				
2		*	CS0790721TH			THRUST COLLAR D=7.94 V	1				
3		*	SS7090620TP			SCREW 9/64-40 L=6.1	1				
4			SM6040800SP			SCREW	1				
5			40038484			NEEDLE_GUARD	1				
6			26013607			POSITIONING FINGER YOK	1				
7			SM1040950TP			SCREW M4 L=9	2				
8			26013409			YOKE SLIDE INSERT	1				
9			26013805			YOKE SLIDE	1				
10			40038400			ASSY_LOOP_POSITIONING_	1				
11		*	40038403	40038400	Replaced	LOOP_POSITIONING_FINGE	1	1.00			
12			SD0640246SP			HINGE SCREW D=6.35 H=2.	1				
13			SM8061010TP			SCREW	1				
14			B12413770B0			THROAT PLATE SET	1				
15		*	B12413770A0			THROAT PLATE ASM.	1				
16		*	B27033770A0			THREAD BIND PLATE ASM	1				
17		*	B2702377000			THREAD BIND SUPPORT PI	1				
18		*	B2410373000			COUNTER KNIFE	1				
19		*	SS7080310SP			SCREW 1/8-44 L= 3.0	2				
20		*	B24063730A0			MOVING KNIFE ASM.	1				
21		*	SD0600095TH			HINGE SCREW D= 6 H= 0	1				
22			40041106			ASSY_LOOP_POSITIONING_	1				
23		*	26003103			LOOP POSITIONING FINGE	1				
24		*	SS8110410TP			SCREW 11/64-40 L= 3.5	2				
25			40038482			ASSY_CAM_AND_LOOPER_S	1				
26		*	26015503			CAM AND LOOPER SLEVI	1				
27		*	SS8150410TP			SCREW 15/64-28 L= 4.0	2				
28			26015404			LOOP POSITIONING FINGE	1				
29			SS8110310SP			SCREW 11/64-40 L= 2.8	2				
30			26015305			LOOPER SHAFT BUSHING	1				
31			SM8061010TP			SCREW	1				
32			40038111			LOOPER_SHAFT	1				
33			40098872		Disconinue	COLLER_ASSY	1				
34		*	40097991			COLLER	1				
35		*	SS8110422TP			SCREW 11/64-40 L=4	2				
36			SM1040870TP			SCREW	3				
37			B12243720A0			LOOPER SHAFT DRIVEN G	1				
38		*	SS8660612TP			SCREW 1/4-40 L=6	2				
39			B1215372A00			THRUST BALL BEARING	1				
40			26013102			LOOPER SHAFT BUSHING	1				
41			B1221373NA0			WORM WHEEL ASM.	1				
42		*	B1221373N00	B1221373NA0	Replaced	WORM	1	1.00			
43		*	SS6660712TP			SCREW 1/4-40 L= 7.0	2				
44		*	B1220372000	B1221373NA0	Replaced	CAM SHAFT DRIVEN GEAF	1	1.00			
45		*	SS8660612TP			SCREW 1/4-40 L=6	2				
46			B1239372000			LOOPER	1				



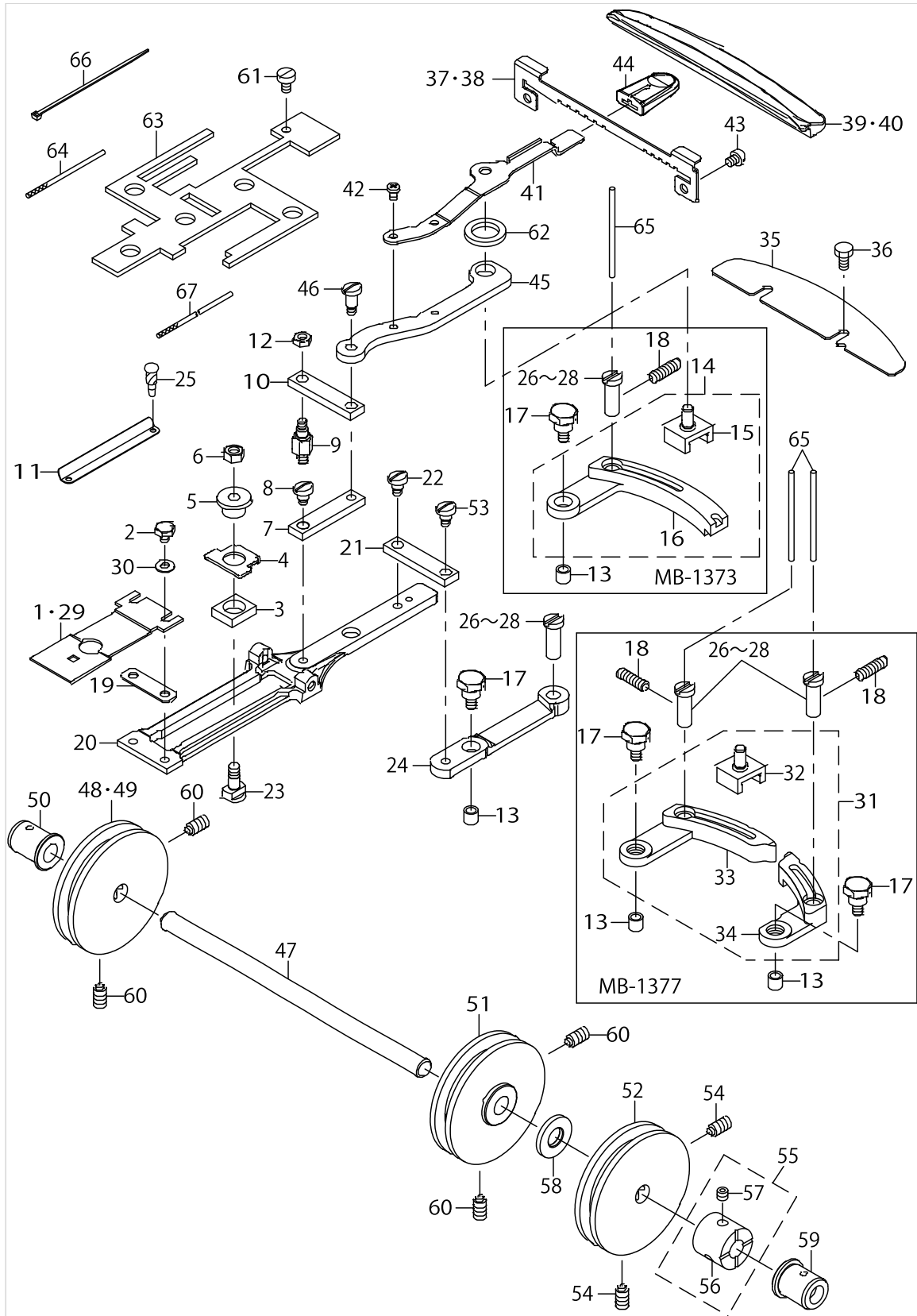
NIPPER & THREAD TENSION PARTS COMPONENTS



NIPPER & THREAD TENSION PARTS COMPONENTS

No.	C- ons	Le- vel	Parts No.	Replacement	Supply Code	Parts name	Qty	R- ep. Q- TY	Status	Spec	Remarks
1			SM4061255SP			SCREW M6 L=12	1				
2			40038205			NEEDLE_BAR_GUARD	1				
3			SD0791276TP			SHOULDER SCREW	1				
4			NM6030001SN			NUT	2				
5			26020602			NUT	1				
6			26000950			NIPPER COMPL.	1				
7			26020503			LOOPER SHAFT BUSHING	1				
8			40041077			NIPPER_BAR_BLOCK_SPRIN	1				
9			40038492			NIPPER_BAR_BLOCK_SPRIN	1				
10			SD0402001TP			HINGE SCREW D=4 H=20	1				
11			26020404			NIPPER SLIDE BLOCK SPRI	1				
12			26020305			NIPPER BLOCK	1				
13			SD0791506TP			SHOULDER SCREW D=7.94	1				
14			40038476			THREAD_PULL_OFF_LEVER	1				
15			SD0790806TP			SHOULDER SCREW D=7.94	1				
16			26000455			NIPPER BAR ACTUATING I	1				
17			26020206			THREAD GUIDE PIN	2				
18			26019406			NIPPER BAR BLOCK SPRIN	1				
19			SM6040800SP			SCREW	1				
20			WP0450801SP			WASHER	2				
21			26019307			NIPPER BAR BLOCK	1				
22			26019208			TENSION LEVER ROCKING	1				
23			40038479			NIPPER_BAR	1				
24			SM6040800SP			SCREW	1				
25			40038208			TENSION_POST_ASM_NO.2	1				
26		*	40038214			TENSION_NUT	1				
27		*	22921407			ROTATION STOPPER	1				
28		*	26019901	40038208	Replaced	THREAD TENSION SPRING	1	1.00			
29		*	26020107			THREAD TENSION DISK PF	1				
30		*	26005207	40038404	Replaced	THREAD TENSION_DISK_NC	2	1.00			
31		*	40038210			TENSION_POST_NO.2	1				
32		*	26019802	40038208	Replaced	TENSION_RELEASE_PIN	1	1.00			
33		*	NM6060001CP			NUT M6	1				
34			PS0300162KH			SPRING PIN 3X16	1				
35			SM6040800SP			SCREW	1				
36			WP0450801SP			WASHER	1				
37			26019109			THREAD TENSION RELEAS	1				
38			40038404			ASSY_THREAD_TENSION_NC	1				
39		*	40038408			THREAD_TENSION_NUT	1				
40		*	26005306	40038404	Replaced	FIRST THREAD TENSION S	1	1.00			
41		*	26005207	40038404	Replaced	THREAD TENSION_DISK_NC	2	1.00			
42		*	40038405	40038404	Replaced	THREAD_TENSION_POST_N	1	1.00			
43			26019505			THREAD GUIDE	1				
44			26021402			THREAD GUIDE NO.1	1				
45			NM6040002SN			NUT M4	1				
46			SM4061255SP			SCREW M6 L=12	1				
47			40038396			NIPPER_BAR_BEARING_BLO	1				
48			40038206			ADJUSTING_SCREW	1				
49			WP0550800SP			WASHER 5.5X10X0.8	1				
50			SM7051460TP			SCREW M5 L=14	1				
51			SM6051400SP			SCREW	1				
52			26019000		Disconinue	THREAD TENSION SPRING	1				
53			40038207			NIPPER_BAR_SPRING_SCREW	1				
54			WP0450846SP			WASHER	1				
55			SM9061403CP			SCREW M6 L=14	1				
56			NM6060001SE			NUT M6	1				
57			26021105			THREAD GUIDE	1				
58			40038320			LEVER	1				
59			SM6040600SP			SCREW M4 L=6	1				
60			WP0501016SD			WASHER 5X10.5X1	1				

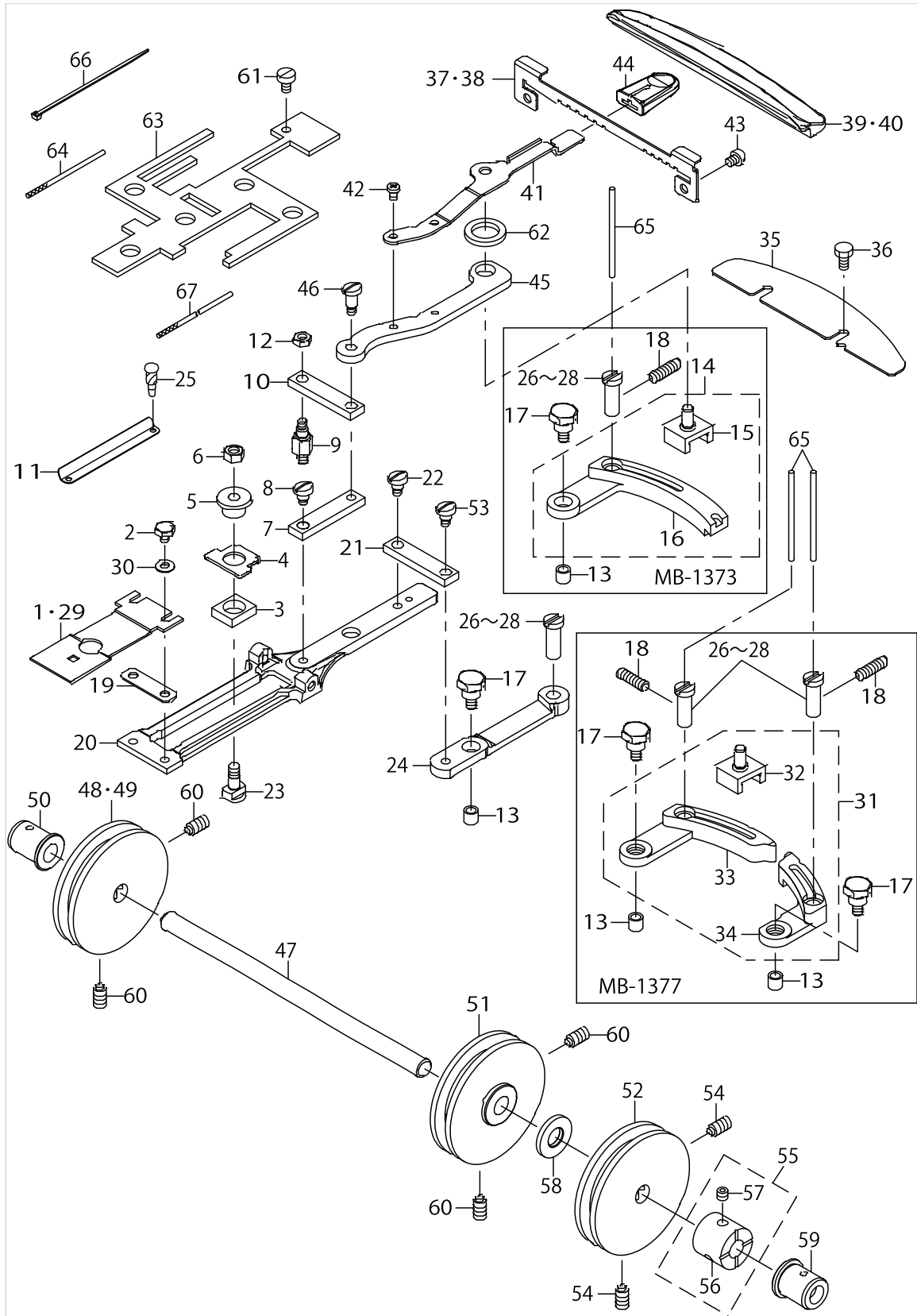
FEED PLATE COMPONENTS



FEED PLATE COMPONENTS

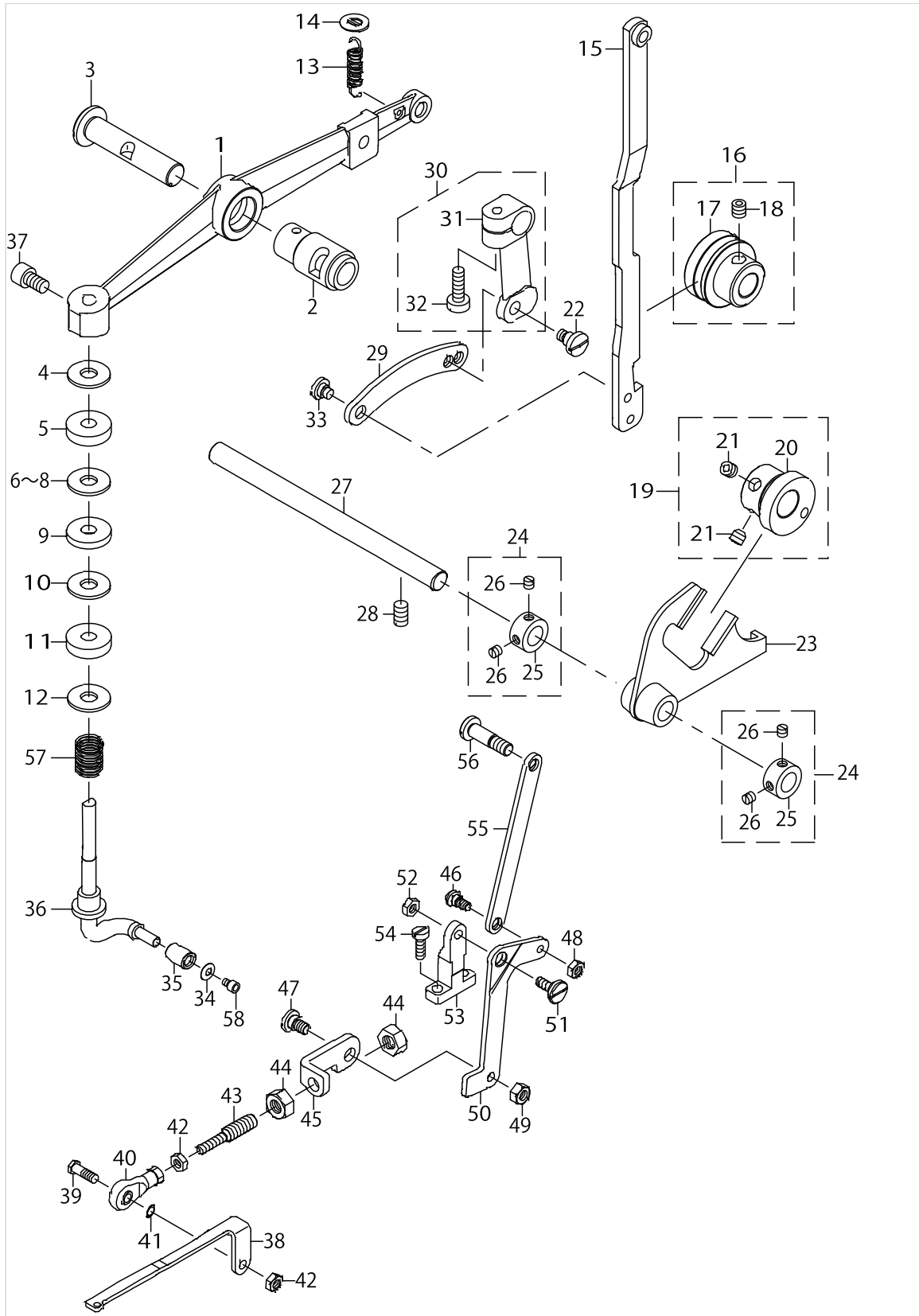
No.	C- ons	Le- vel	Parts No.	Replacement	Supply Code	Parts name	Qty	R- ep- Q- TY	Status	Spec	Remarks
1			B2529373000			FEED PLATE, SMALL BUTT	1				
2			SS9120643TP			SCREW 3/16-28 L=6	2				
3			26024604			LNDICATOR PIN BEARING	1				
4			26024901			CROSSWISE FEED INDICA1	1				
5			26024703			CROSSWISE FEED INDICAT	1				
6			NM6060001CP			NUT M6	1				
7			40038498			SLIDE_PLATE_CONNECTIN	1				
8			SD0640481SP			HINGE SCREW D= 6.35 H=	1				
9			40038499			STUD	1				
10			26024208			INTERMEDI CONNECTING	1				
11			40041052			CROSSWISE_FEED_GRADV/	1				
12			NM6050001SP			NUT M5	1				
13			26023200			CAM ROLL	2				
14			40041030			LENGTHWISE_FEED_LEVEF	1				
15		*	40038439	40041030	Replaced	LENGTHWISE_FEED_LEVEF	1	1.00			
16		*	40041029	40041030	Replaced	FEED_LEVER_1373	1	1.00			
17			40038496			CAM_ROLL_SCREW_STUD	2				
18			SM8061212TP			SCREW M6X12	1				
19			26025106			SPACER PLATE	1				
20			40038463			FEED_PLATE	1				
21			26024208			INTERMEDI CONNECTING	1				
22			SD0640481SP			HINGE SCREW D= 6.35 H=	1				
23			40098330			HINGE_SCREW_FOW_CROS	1				
24			40038453			CROSSWISE_FEED_LEVER	1				
25			B1161227000			RIVET	2				
26			40041055			FEED_STUD_A	1				SELECTIVE PAF
27			40041056			FEED_STUD_B	1				SELECTIVE PAF
28			40041057			FEED_STUD_C	1				SELECTIVE PAF
29			D2529373B00A			FEED PLATE ,SMALLBUTT	1				
30			WP0501016SD			WASHER 5X10.5X1	2				
31			40038469			LENGTHWISE_FEED_LEVEF	1				FOR MB-1377
32		*	40038439	40041030	Replaced	LENGTHWISE_FEED_LEVEF	1	1.00			
33		*	40038432			FEED_LEVER_L	1				
34		*	40038433			FEED_LEVER_R	1				
35			40041061			FEED_KNOB_GUIDE_PLATE	2				
36			SM9050813SE			SCREW M5X0.8 L=8	1				
37			40042279			PLATE_BASE_(MB-1373)	1				FOR MB-1373
38			40038436			PLATE_BASE_(MB-1377)	1				FOR MB-1377
39			40038313			GRADUATE_PLATE(MB-137	1				FOR MB-1373
40			40038314			GRADUATE_PLATE(MB-137	1				FOR MB-1377
41			40042281			HANDLE_AND_INDICATOR	1				
42			SM4040655SP			SCREW M4 L=6	2				
43			SM4050855SP			SCREW	2				
44			40038442			KNOB	1				
45			40040965			INDICATOR_SPRING_CONN	1				
46			SD0640976TP			SHOULDER SCREW D=6.35	2				
47			40038444			CAM_SHAFT	1				
48			40041032			LENGTHWAISE_FEED_CAM	1				
49			B2506373000A			LONGITUDINAL FEED CAM	1				FOR MB-1373
50			26022509			CAM SHAFT BUSHING.LEF	1				
51			40041033			LATERAL_FEED_CAM	1				
52			40041025			LONGITUDINAL_FEED_CAM	1				FOR MB-1377
53			SD0640486TP			SHOULDER SCREW D=6.35	1				
54			SS8681412TP			SCREW 9/32-28 L=13.5	2				FOR MB-1377
55			40040964			THRUST_COLLAR_ASSY	1				FOR MB-1373
56		*	40040961			THRUST_COLLAR	1				
57		*	SM8060552TP			SCREW M6 L=5	2				
58			40042081			SPACER	1				FOR MB-1377
59			26022400			CAM SHAFT BUSHING.RIG	1				
60			SS8681412TP			SCREW 9/32-28 L=13.5	4				

FEED PLATE COMPONENTS





BUTTON CLAMP LIFTER COMPONENT

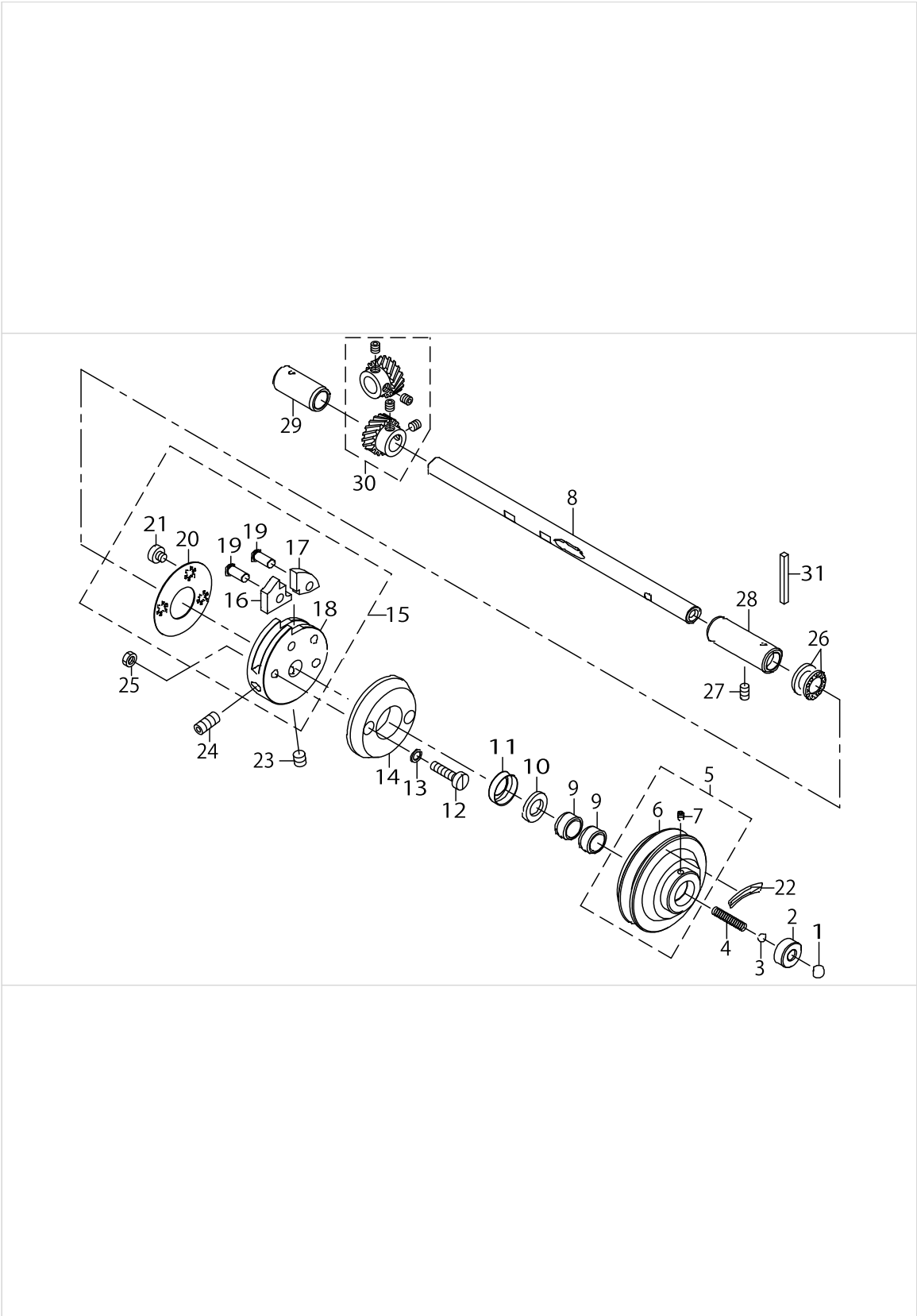


BUTTON CLAMP LIFTER COMPONENT

No.	C- ons	Le- vel	Parts No.	Replacement	Supply Code	Parts name	Qty	R- ep- Q- TY	Status	Spec	Remarks
1			40038119			LIFTING_LEVER	1				
2			26018101			BUSHING	1				
3			40038116			NEEDLE_BAR_LEVER	1				
4			WP0851216SC			WASHER 8.5X18.0X1.2	1				
5			B4420373000			CUSHION	1				
6			WP0851216SC			WASHER 8.5X18.0X1.2	1				SELECTIVE PAF
7			WP0751576SD			WASHER 7.5X19X1.5	1				SELECTIVE PAF
8			10510808			WASHER	1				SELECTIVE PAF
9			WP0751576SD			WASHER 7.5X19X1.5	1				
10			WP0751576SD			WASHER 7.5X19X1.5	1				
11			B4420373000			CUSHION	1				
12			WP0703516SP			WASHER 7X20X3.5	1				
13			26033407			SPRING	1				
14			26033308			WASHER	1				
15			B4411372000	B4411372000A	Replaced	BUTTON CLAMP LIFTING	1	1.00			
16			40040962			ASSY_SLIDING_ROLLER	1				
17		*	40040953			SLIDING_ROLLER	1				
18		*	SM8060612TP			SCREW M6 L=6	1				
19			40038321			ECCENTRIC_CAM	1				
20		*	40038398	40038321	Replaced	ECCENTRIC_CAM	1	1.00			
21		*	SM8060612TP			SCREW M6 L=6	2				
22			SD0640481SP			HINGE SCREW D= 6.35 H=	1				
23			40120628			BUTTON_CLAMP_LIFTING	1				
24			CS0950810SH			THRUST COLLAR ASM. D=	2				
25		*	CS0950816SH	CS0950810SH	Replaced	THRUST COLLAR D=9.5 W=	1	1.00			
26		*	SS8110410TP			SCREW 11/64-40 L= 3.5	2				
27			40038445			LEVER_SHAFT	1				
28			SM8061010TP			SCREW	2				
29			26032508			LIFTING_LINK	1				
30			40038414			LIFTING_PLATE_GUIDE_RO	1				
31		*	40038413			LIFTING_PLATE_GUIDE_RO	1				
32		*	SM6051600SP			SCREW M5 L=16	1				
33			SD0640211SP			HINGE SCREW D= 6.35 H=	1				
34			WP0330501SB			WASHER M3	1				
35			40038283			L_TYPE_LIFTING_BAR_ROLI	1				
36			40038502			BUTTON_CLAMP_LIFTING	1				
37			SM6061002TP			SCREW M6 L=10	1				
38			40038428			CONNECTING_LINK_FRON	1				
39			26022202			JOINT STUD	1				
40			B1632180000			FEED ADJUSTING JOINT	1				
41			WP0510516SD			WASHER 5.1X7.5X0.5	1				
42			NM6050001SP			NUT M5	2				
43			40038219			CONNECTING_SCREW	1				
44			NM6080021SP			NUT M8 TYPE1	2				
45			40038429			CONNECTING_LINK_REAR	1				
46			SD0640323TP			HINGE SCREW D= 6.35 H=	1				
47			SD0790402TP			HINGE SCREW D= 7.94 H=	1				
48			NS6620310SP			NUT 3/16-32	1				
49			NS6150310SP			NUT 15/64-28	1				
50			40038397			THREAD TRIMMING_LEVEF	1				
51			SD0790316TP			SHOULDER SCREW D=7.94	1				
52			NM6050001SP			NUT M5	1				
53			40038495			THREAD_TRIM_LEVER_BASI	1				
54			SM7051460TP			SCREW M5 L=14	2				
55			26021709			THREAD TRIMMING LINK	1				
56			SD0641322TP			HINGE SCREW D=6.35 H=1	1				
57			26033605			SPRING	1				
58			SM6030402TP			SCREW M3X0.5 L=4	1				



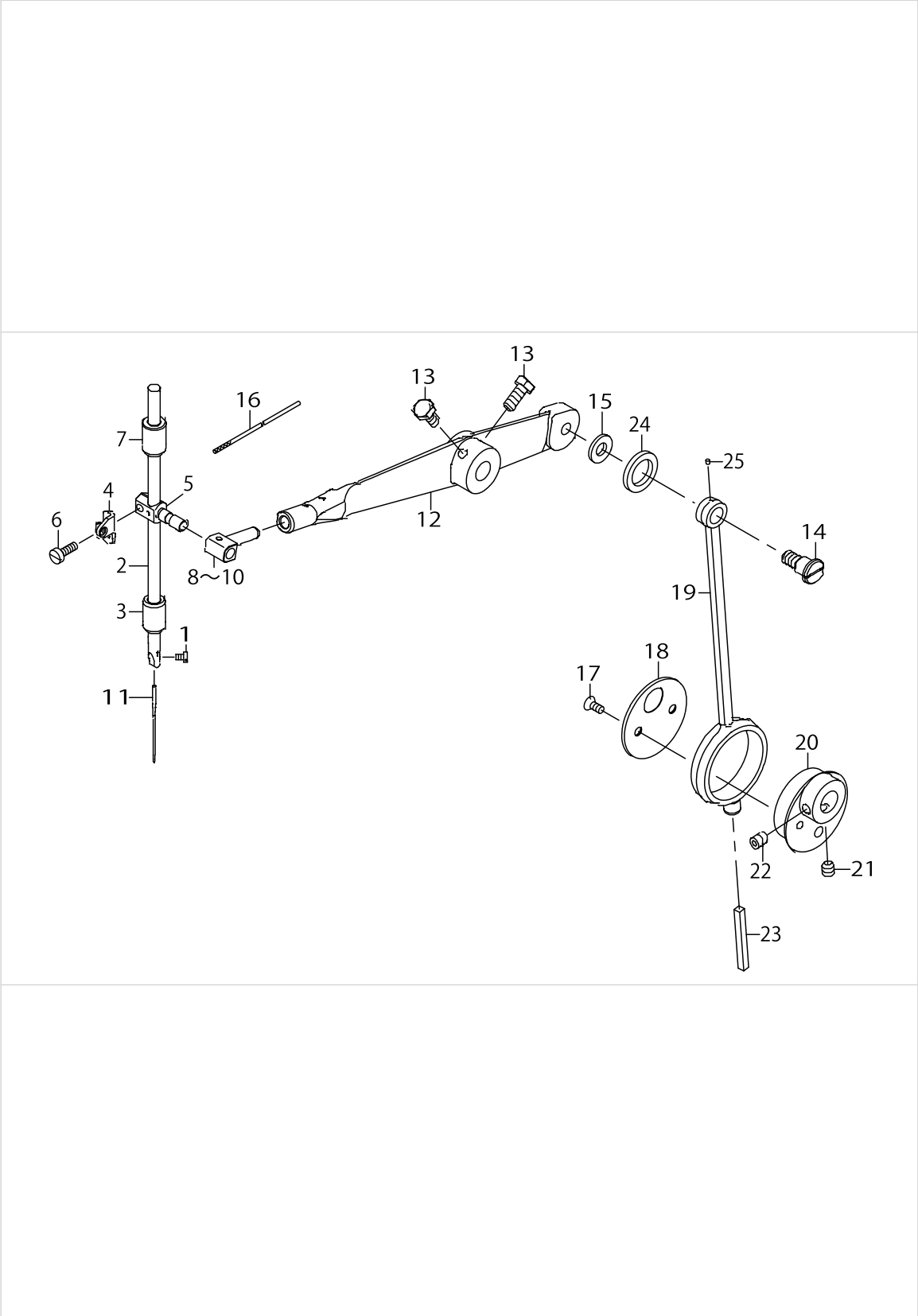
NEEDLE DRIVING PULLEY SHAFT COMPONENTS



NEEDLE DRIVING PULLEY SHAFT COMPONENTS

No.	C- ons	Le- vel	Parts No.	Replacement	Supply Code	Parts name	Qty	R- ep. Q- TY	Status	Spec	Remarks
1			B1203372000			BALL LARGE	1				
2			26012401			PULLEY INSERT	1				
3			40038203			BALL_SMALL	1				
4			26012500			SPRING	1				
5			40038169			DRIVING_PULLEY_ASM.	1				
6		*	40038175			DRIVING_PULLEY	1				
7		*	SM8040612TP			SCREW M4 L=6	1				
8			40038449			NEEDLE_DRIVING_PULLEY_	1				
9			B1243372000			NEEDLE BEARING	2				
10			26012609			GREASE RTETAINING WICH	1				
11			26012708			RETAINING WASHER	1				
12			SM6062450TP			SCREW M6 L=23.5	2				
13			WP0621026SP			WASHER 6.2X9.5X1	2				
14			B1208372000			NEEDLE DRIVING PULLEY	1				
15			40038137			STOP_MOTION_DISC_ASM.	1				
16		*	40038135	40038137	Replaced	STOP_MOTION_DISC_LATC	1	1.00			
17		*	40038136	40038137	Replaced	STOP_MOTION_DISC_LATC	1	1.00			
18		*	40038138	40038137	Replaced	STOP_MOTION_DISC	1	1.00			
19		*	40038139	40038137	Replaced	STOP_MOTION_PAWL_SHAI	2	1.00			
20		*	40038140	40038137	Replaced	STOP_MOTION_DISC_WASH	1	1.00			
21		*	SM6060550TP			SCREW M6 L=4.5	1				
22			CM500200001			DIRECTION LABEL.	1				
23			SM8080812TP			SCREW M8X8	1				
24			SM8081752TP			SCREW M8 L=17	1				
25			NM6060003SP			NUT M6 TYPE3	2				
26			B1215372B00			THRUST BALL BEARING	1				
27			SM8061010TP			SCREW	1				
28			40038461			PULLEY_SHAFT_BUSHING_I	1				
29			40042148			PULLET_SHAFT_BUSHING_I	1				
30			B12173720BA			DRIVING GEAR (A) ASM.	1				
31			26018309			OIL WICK	1				

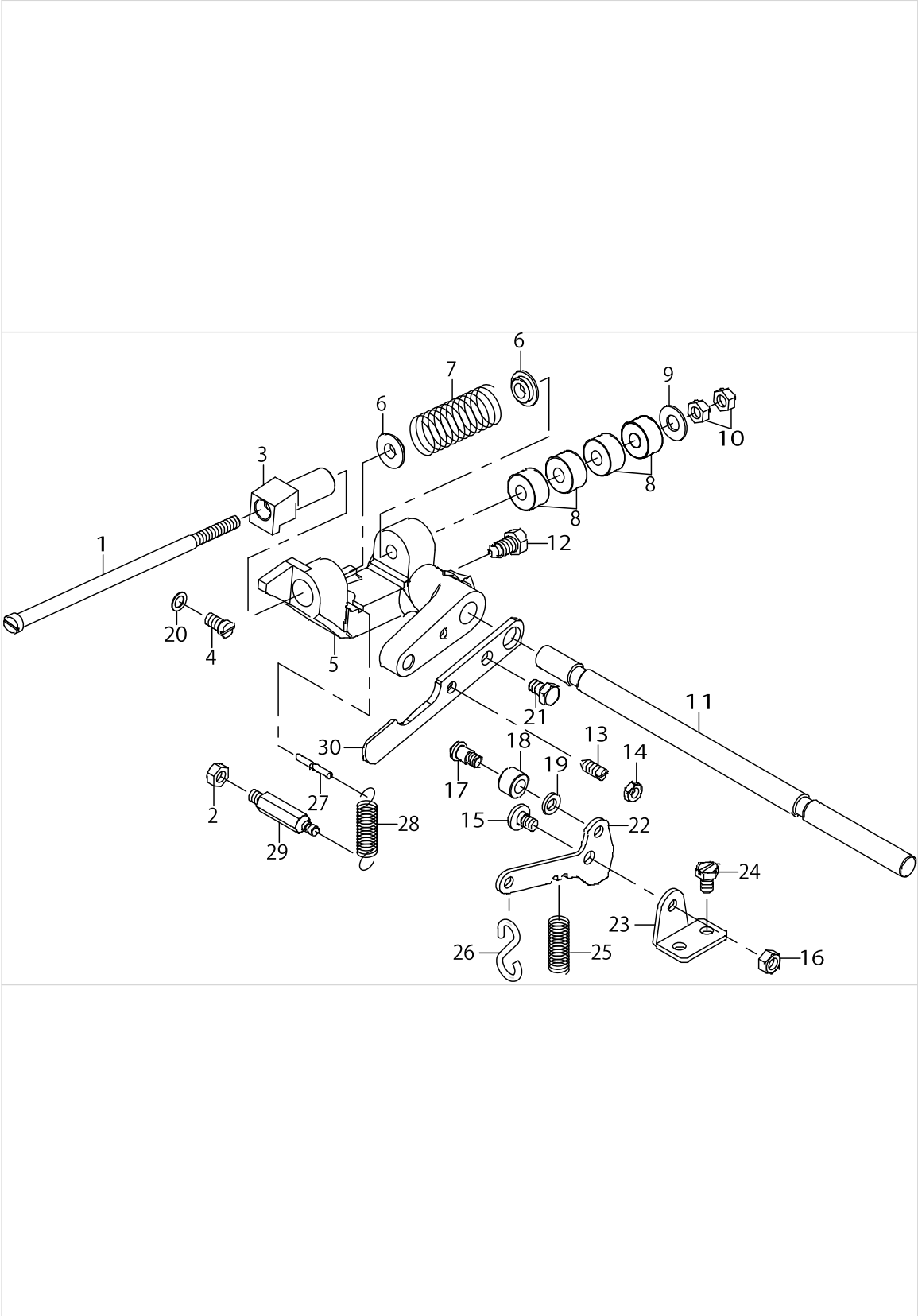
NEEDLE BAR DRIVING MECHANISM COMPONENTS



NEEDLE BAR DRIVING MECHANISM COMPONENTS

No.	C- ons	Le- vel	Parts No.	Replacement	Supply Code	Parts name	Qty	R- ep. Q- TY	Status	Spec	Remarks
1			SS7080510TP			SCREW 1/8-44 L=4.5	1				
2			14606107			NEEDLE ROD	1				
3			26017707			NEEDLE BAR BUSHING LO	1				
4			40040951			NEEDLE_BAR_BALANCE	1				
5			40040952			NEEDLE_BAR_CLAMP	1				
6			SM6041200SP			SCREW M4 L=12	1				
7			40038142			NEEDLE_BAR_BUSHING_UP	1				
8			40038120			NEEDLE_BAR_SLIDE_BLOCK	1				SELECTIVE PAF
9			40038121			NEEDLE_BAR_SLIDE_BLOCK	1				SELECTIVE PAF
10			40038122			NEEDLE_BAR_SLIDE_BLOCK	1				SELECTIVE PAF
11			MTQ100B1600			NEEDLE TQX1 #16	1				
12			40038117			NEEDLE_BAR_DRIVING_LEV	1				
13			SM9061403CP			SCREW M6 L=14	2				
14			SD0950804TP			SHOULDER SCREW D=9.53	1				
15			26018705			WASHER	1				
16			CQ202000000			OIL WICK	.1				
17			SS2110920TP			SCREW 11/64-40 L=8.5	2				
18			26018606			THRUST HOLDER	1				
19			26018408			CRANK ROD	1				
20			26018507	26018457	Replaced	ECCENTRIC CAM	1	1.00			
21			SS8660612TP			SCREW 1/4-40 L=6	1				
22			SS8660942TP			SCREW 1/4-40 L= 8.5	1				
23			26018309			OIL WICK	1				
24			40041045			OIL_RETAINING_FELT	1				
25			CQ250000F0			OIL WICK	.01				

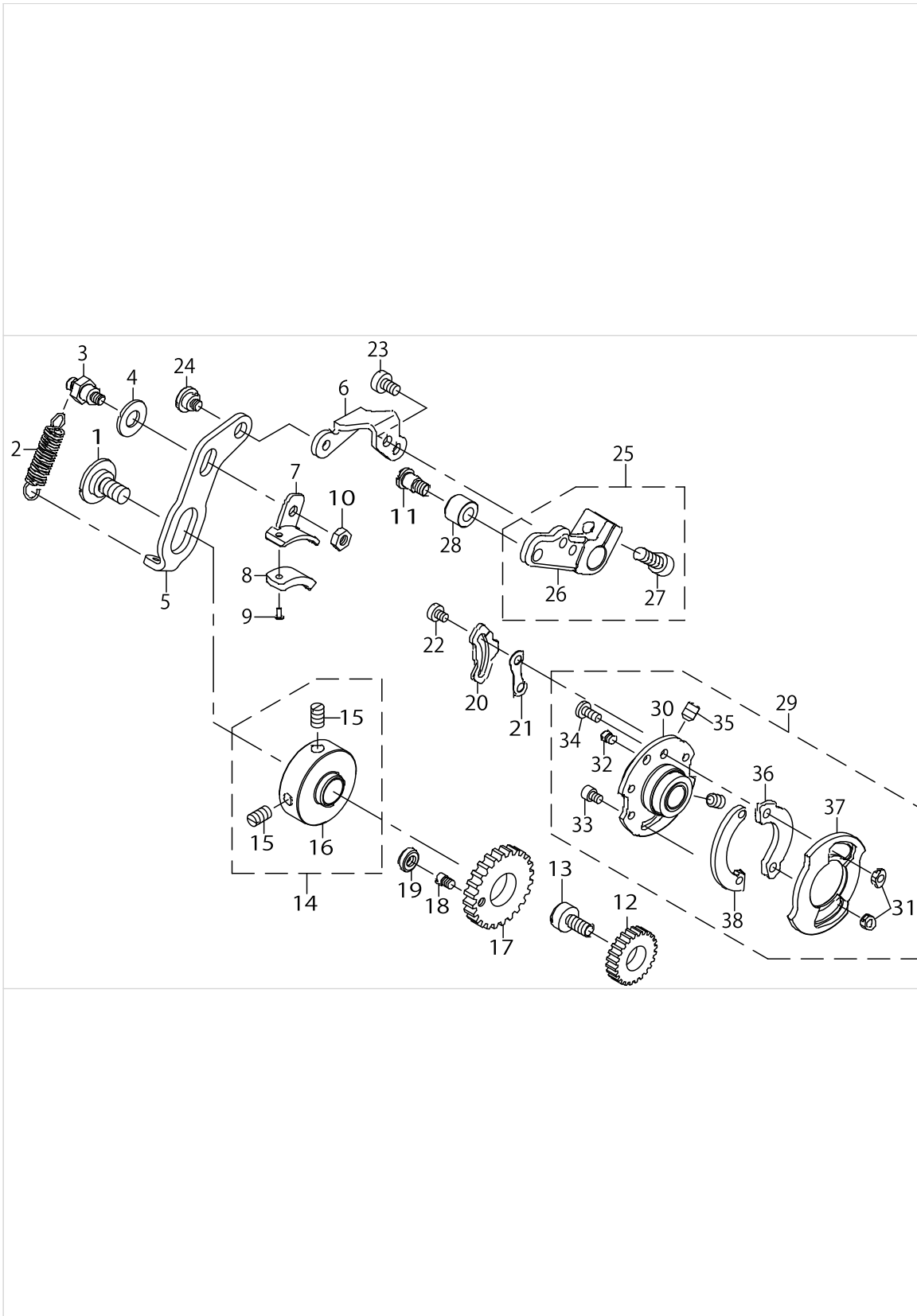
STOP MOTION MECHANISM COMPONENTS



STOP MOTION MECHANISM COMPONENTS

No.	C- ons	Le- vel	Parts No.	Replacement	Supply Code	Parts name	Qty	R- ep. Q- TY	Status	Spec	Remarks
1			26027805			STOP MOTION PLUNGER F	1				
2			NM6060003SP			NUT M6 TYPE3	1				
3			40038118			CROSSING_HOOK	1				
4			SM6061150TP			SCREW M6 L=11	1				
5			40038270		Disconinue	STOP_MOTION_PLUNGER_I	1				
6			26229104			WASHER	2				
7			40038110			STOP_MOTION_SPRING	30				
8			B2608280000			RUBBER CUSHION	4				
9			26030601			WASHER	1				
10			NS6680410SP			NUT 9/32-28	2				
11			40038448			STOP_MOTION_SHAFT	1				
12			40042437			SCREW	1				
13			SS8151570SP			SCREW 15/64-28 L=15.0	1				
14			NS6150310SP			NUT 15/64-28	1				
15			SD0680276TP			SHOULDER SCREW D=6.8 H	1				
16			NM6060001CP			NUT M6	1				
17			SD0800706TP			SHOULDER SCREW D=8 H=	1				
18			40087058			STITCH_ADJUSTING_ROLLI	1				
19			WP0612066SP			WASHER 6.1X11X2	1				
20			26019604	26217604	Replaced	WASHER	1	1.00			
21			SM9061003CP			SCREW M6 L=10	1				
22			40038160			STOP_MOTION_TRIP_LEVEL	1				
23			26028308			STOP MOTION TRIP LEVEL	1				
24			SM9061250TP			SCREW M6 L=12	2				
25			22924906			OIL REGULATOR SCREW S	1				
26			13160304			S SHAPED HOOK	1				
27			26028001			STOP MOTION LEVER SPR	1				
28			40038410			STOP_MOTION_LEVER_SPR	1				
29			40040940			SCREW_STUD	1				
30			B2611373N00			PRESSURE APPLYING LEVE	1				

STITCH SELECTING PARTS COMPONENTS

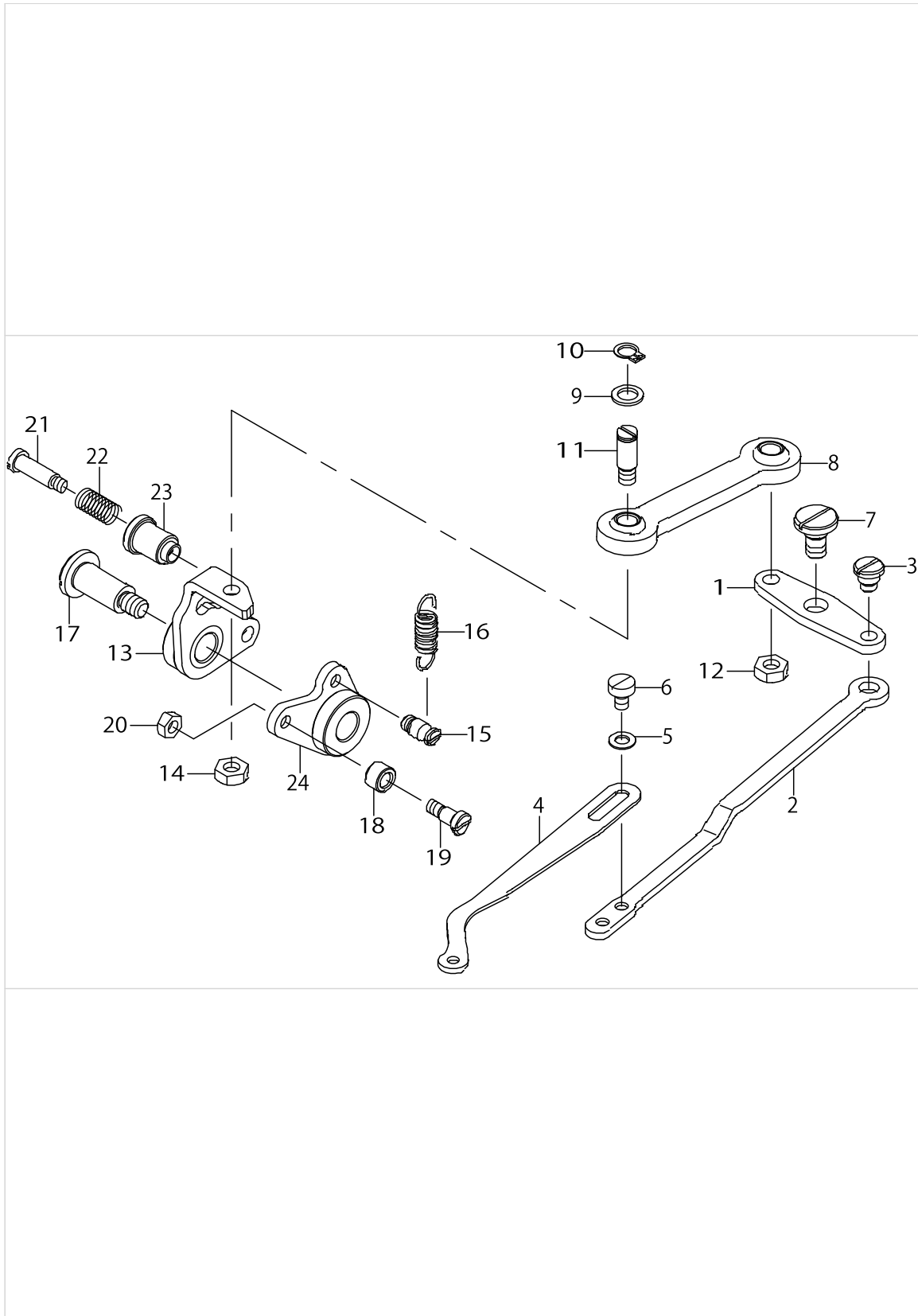


STITCH SELECTING PARTS COMPONENTS

No.	C- ons	Le- vel	Parts No.	Replacement	Supply Code	Parts name	Qty	R- ep- Q- TY	Status	Spec	Remarks
1			SD1270346TP			SHOULDER SCREW D=12.7	1				
2			26030304			SPRING FOR FRICTION PL	1				
3			26030007			FRICTION PLATE ROTATIN	1				
4			WP0850002SP			WASHER 8.5X18X1.6	1				
5			26030908			SPEED SLOWING LEVER	1				
6			26031005			FITTING PLATE	1				
7			26030106			FRICTION PLATE HOLDER	1				
8			B2640372000			SPEED SLOWING FRICTION	1				
9			B3211232000			POSITIONING PIN	2				
10			NS6110310SP			NUT 11/64-40	1				
11			SD0710706TP			SHOULDER SCREW D=7.14	1				
12			B2629372000			STITCH SELECTING SPUR	1				
13			40040943			INTERMEDIATE_GEAR_SHA	1				
14			40040942			ASSY_SPEED_SLOWING_FRI	1				
15		*	SM8061010TP			SCREW	2				
16		*	40040944			SPEED_SLOWING_FRICTION	1				
17			B2630372000A			GEAR,LARGE	1				
18			B2631372000			SCREW	1				
19			B2632372000A			ROLLER	1				
20			40040946			THREAD BIND_NOTCH	1				
21			26030809			SPACER	1				
22			SM6040560TP			SCREW M4X0.5 L=4.5	2				
23			SM6050800SP			SCREW M5 L=8	2				
24			SD0800341SP			HINGE SCREW D=8 H=3.4	1				
25			40038269			STITCH_ADJUSTING_ARM_A	1				
26		*	40038271			STITCH_ADJUSTING_ARM	1				
27		*	SM6061602TN			SCREW M6 L=16	1				
28			26029207	40087058	Replaced	STITCH ADJUSTING ROLL	1	1.00			
29			40041046			STITCH_ADJUSTING_CAM_A	1				
30		*	40041054			STITCH_ADJUSTING_CAM_A	1				
31		*	40041050			NUT	2				
32		*	40038304			SCREW	1				
33		*	SM6040502TP			SCREW M4X0.7 L=5	1				
34		*	SS7090910TP			SCREW 9/64-40 L= 8.5	2				
35		*	SM8060812TP			SCREW M6 L=8	2				
36		*	40041048	40041046	Replaced	SPACER	1	1.00			
37		*	40041049			STITCH_CAM_A	1				
38		*	40041051	40041046	Replaced	STOP MOTION CAM SHOE	1	1.00			



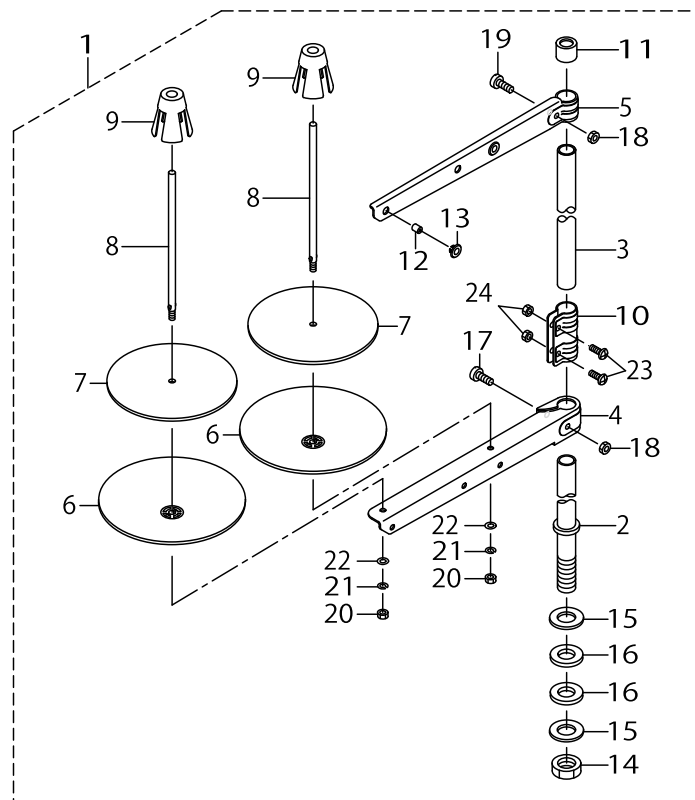
THREAD BIND NOTCH COMPONENTS(FOR MB-1377)



THREAD BIND NOTCH COMPONENTS(FOR MB-1377)

No.	C- ons	Le- vel	Parts No.	Replacement	Supply Code	Parts name	Qty	R- ep. Q- TY	Status	Spec	Remarks
1			40038488			THREAD_BIND_LEVER	1				
2			40038452			CONNECTING_PLATE_LAR	1				
3			SD0640328TP			SHOULDER SCREW D=6.35	1				
4			40038486			CONNECTING_PLATE_SMA	1				
5			WP0430800SD			WASHER M4	2				
6			SM6040650TP			SCREW	2				
7			SD0720336SP			SHOULDER SCREW	1				
8			D2509282A00			WORK CAMP FOOT BALL	1				
9			40038489			THREAD_BIND_LINK_SHAFT	2				
10			WP0621026SP			WASHER 6.2X9.5X1	2				
11			RC0560711KP			RETAINING RING	2				
12			NM6050001SP			NUT M5	1				
13			40038456			THREAD_BIND_ARM_B	1				
14			NM6050001SP			NUT M5	1				
15			40038494			THREAD_BIND_ARM_SPRING	1				
16			26017103			SPRING	1				
17			SD0901806TP			SHOULDER SCREW	1				
18			26017301			ROLLER	1				
19			SD0460576TP			SHOULDER SCREW D=4.6 F	1				
20			NM6040001SP			NUT M4X0.7	1				
21			SD0481456TP			SHOULDER SCREW D=4.8 F	1				
22			40038306			SPRING	1				
23			40038305			STITCH_ADJUSTING_CAM_H	1				
24			40038455			ASS_THREAD_BIND_ARM_A	1				

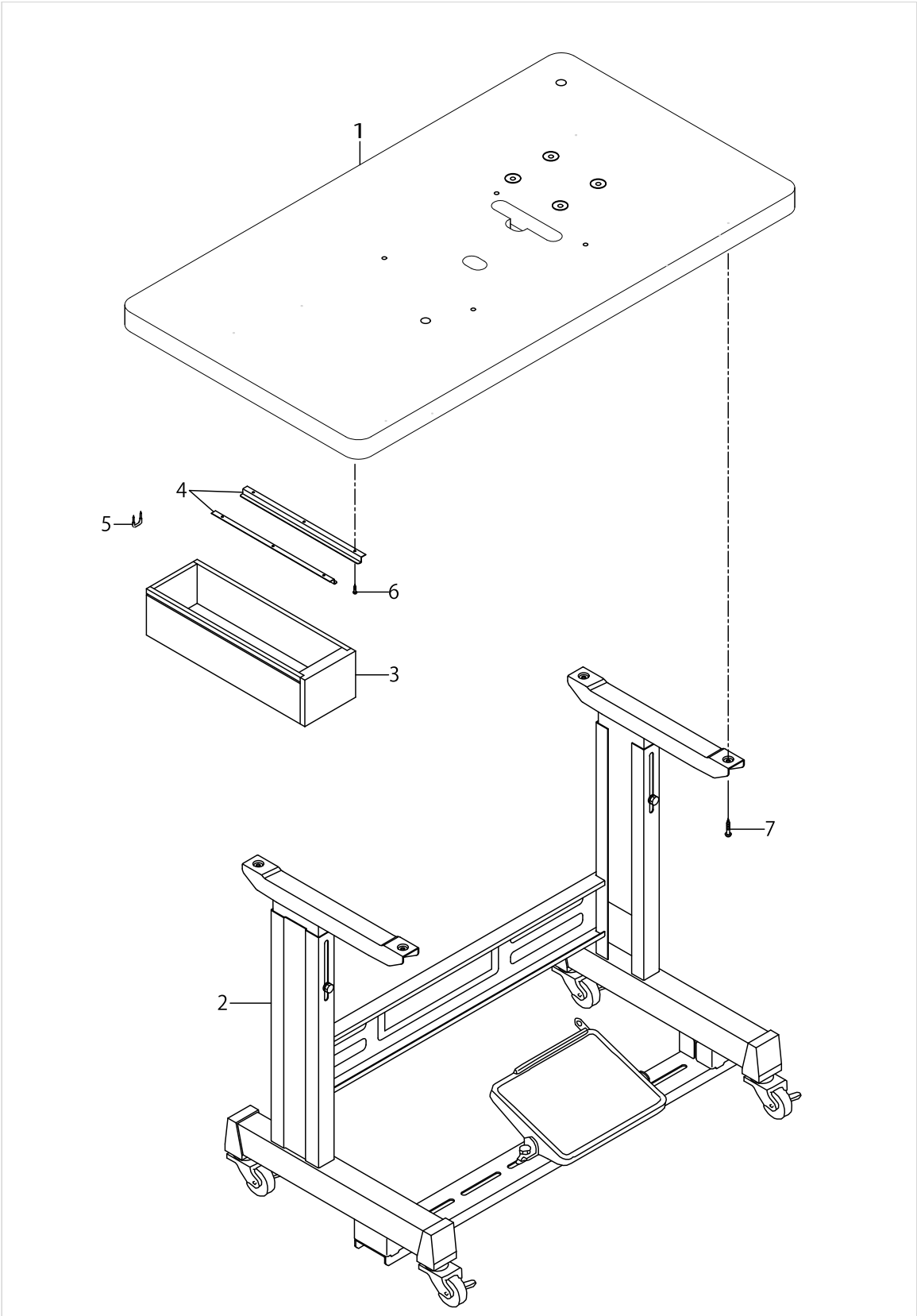
THREAD STAND COMPONENTS



THREAD STAND COMPONENTS

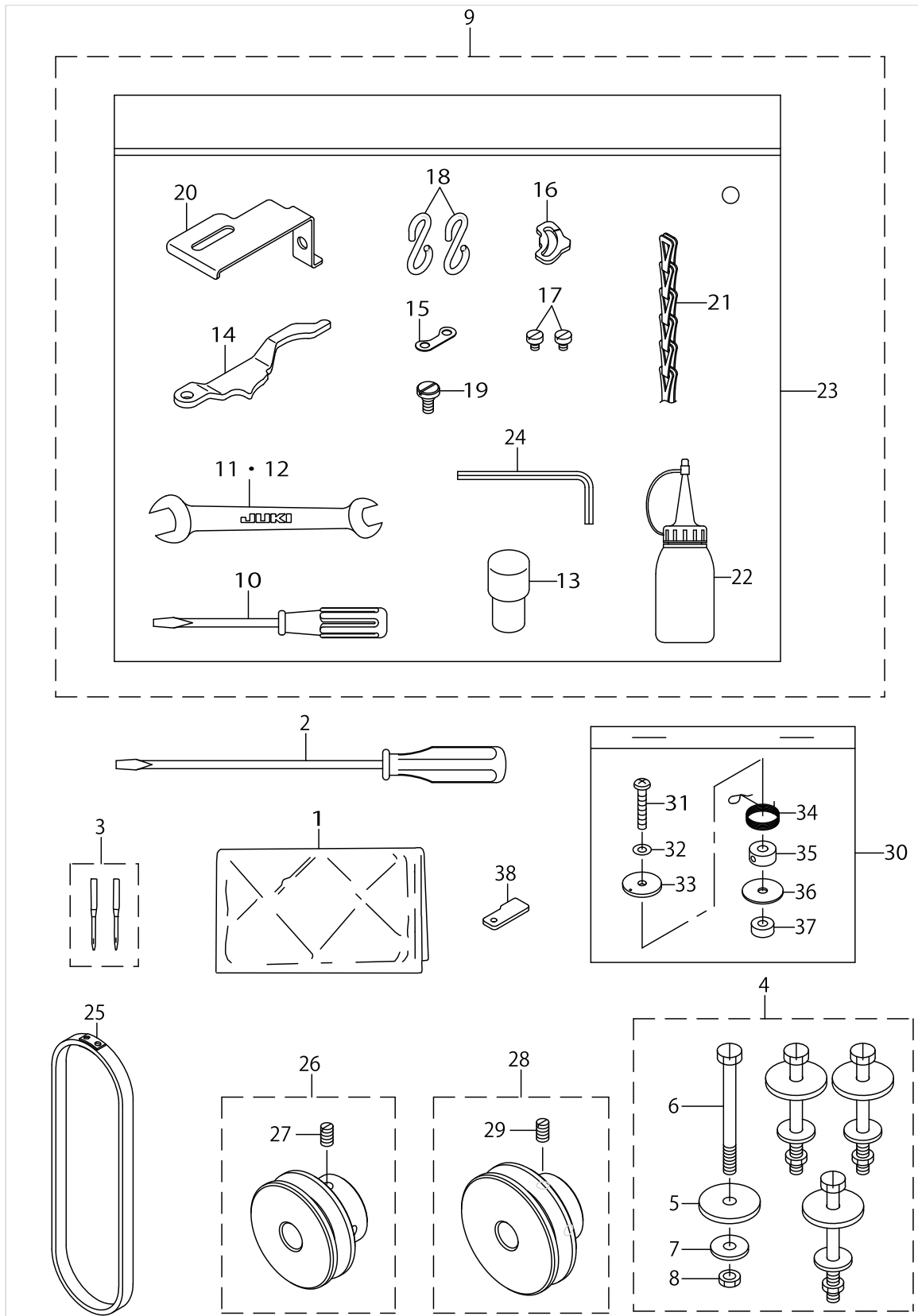
No.	C- ons	Le- vel	Parts No.	Replacement	Supply Code	Parts name	Qty	R- ep. Q- TY	Status	Spec	Remarks
1			40096354			THREAD STAND ASM.	1				
2		*	40085784			SPOOL REST ROD LOWER	1				
3		*	40085785			SPOOL REST ROD UPPER	1				
4		*	40085786			SPOOL REST ARM LOWER	1				
5		*	40085787			SPOOL REST ARM UPPER	1				
6		*	40085788			SPOOL REST	2				
7		*	40085789			SPOOL REST CUSHION	2				
8		*	40085790			SPOOL PIN	2				
9		*	40085791			SPOOL RETAINER	2				
10		*	40085792			SPOOL REST ROD JOINT	1				
11		*	40085793			SPOOL REST ROD RUBBER	1				
12		*	40085794			THREAD GUIDE	2				
13		*	40085795			THREAD GUIDE BUSHING	2				
14		*	40096325			SPOOL REST ROD NUT	1				
15		*	WP1612616SE			WASHER 16X30X2.6	2				
16		*	40085796			SPOOL REST ROD RUBBER	2				
17		*	40096326			SPOOL REST ARM LOWER	1				
18		*	NM6050001SE			NUT M5	2				
19		*	40096327	SM4053001SE	Replaced	SPOOL REST ARM UPPER S	1	1.00			
20		*	NM6050001SE			NUT M5	2				
21		*	WS0510002KN			SPRING WASHER M5	2				
22		*	WP0531001SC			WASHER M5	2				
23		*	SM4051405SE			SCREW M5 L=14	2				
24		*	NM6050001SE			NUT M5	2				

TABLE & STAND COMPONENTS





ACCESSORIE PARTS COMPONENTS

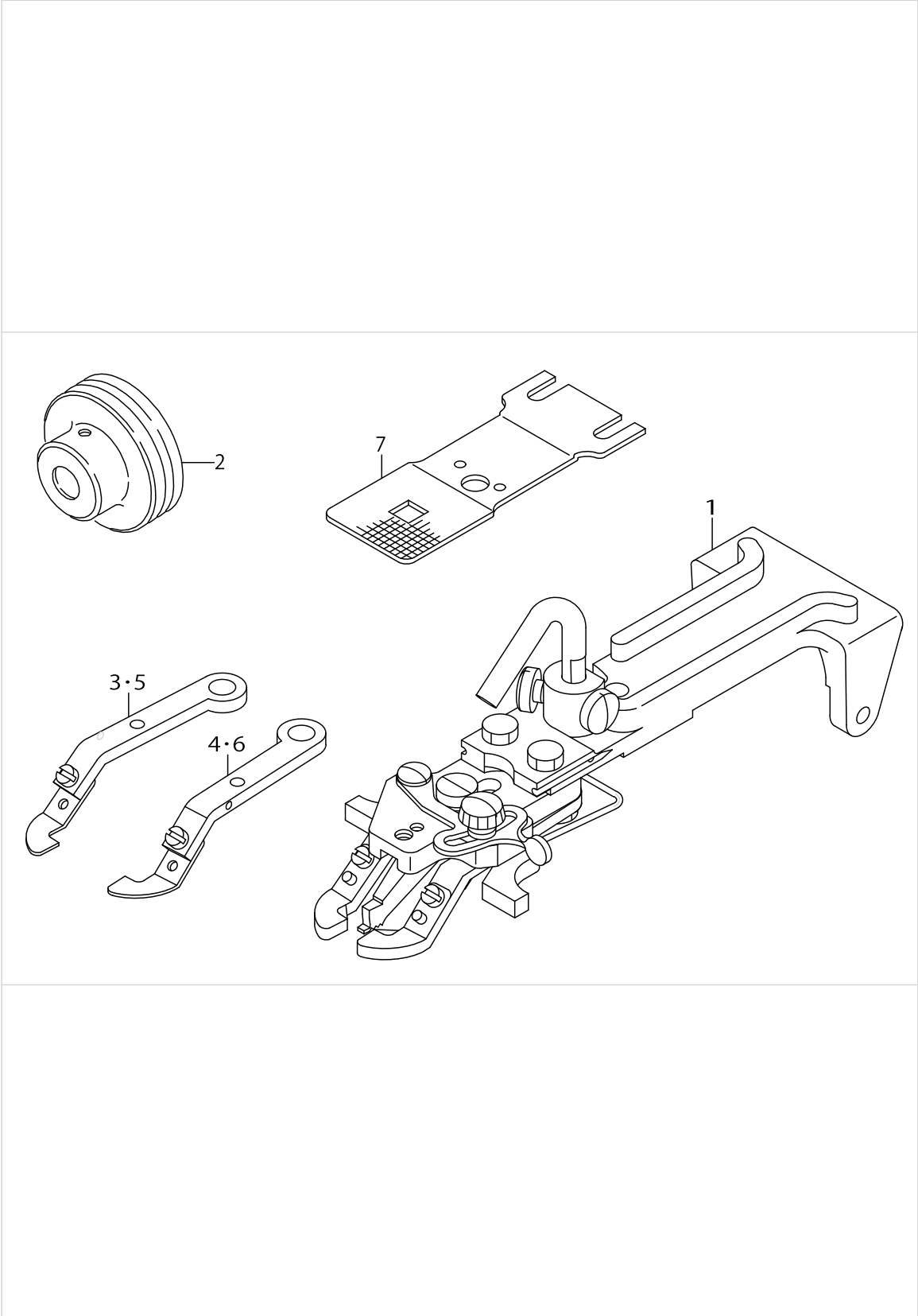


ACCESSORIE PARTS COMPONENTS

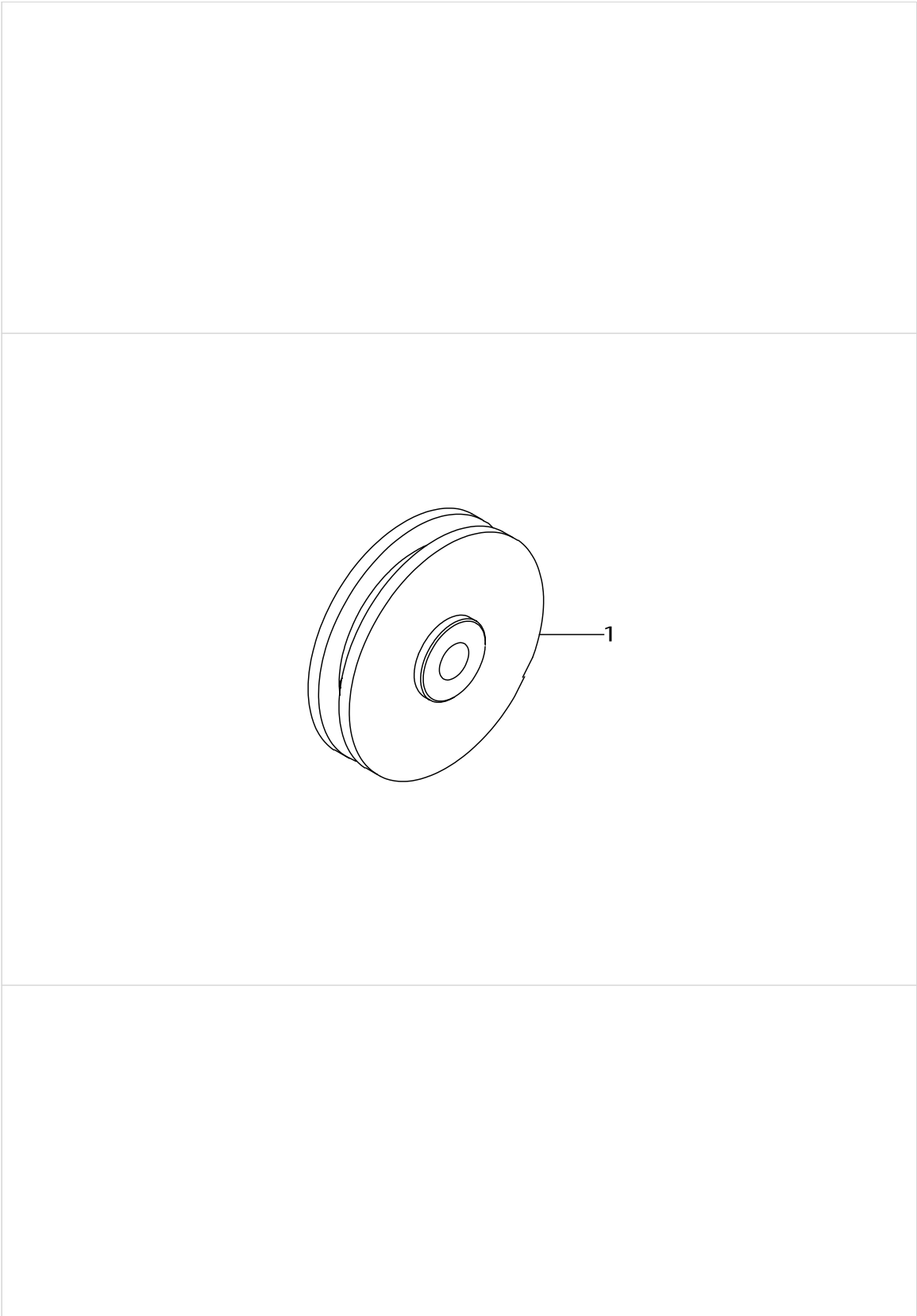
No.	C- ons	Le- vel	Parts No.	Replacement	Supply Code	Parts name	Qty	R- ep- Q- TY	Status	Spec	Remarks
1			22933303			VINYL COVER	1				
2			22933006			SCREW DRIVER,LARGE	1				
3			MTQ700B1802			NEEDLE TQX7#18-2	1				
4			40041072			BASE_SCREW_SET	1				
5		*	40038174			RUBBER_CUSHION	4				
6		*	SS9156830SP			SCREW 15/64-28 L=68	4				
7		*	WP0612056SD			WASHER 6.1X18.5X2	4				
8		*	NS6150310SP			NUT 15/64-28	4				
9			40041073			ACCESSORIE_BAG_ASM.	1				
10		*	22933105			SCREW DRIVER,MIDDLE	1				
11		*	26233700			WRENCH	1				
12		*	26034801			WRENCH	1				
13		*	40033327			FRAME_SUPPORT_BAR	1				
14		*	40038459			STITCH_NUMBER_LEVER	1				
15		*	26030809			SPACER	1				
16		*	40040946			THREAD_BIND_NOTCH	1				
17		*	SM6040560TP			SCREW M4X0.5 L=4.5	2				
18		*	13160304			S SHAPED HOOK	2				
19		*	SD0600346TP			SHOULDER SCREW D=6 H=	1				
20		*	40038205			NEEDLE_BAR_GUARD	1				
21		*	26037903			CHAIN	1				
22		*	J1067000000			OILER	1				
23		*	22932800			ACCESSORIE BAG	1				
24		*	40055591			HEXAGONAL WRENCH KY	1				
25			MTJVM00000C			V ROPE 820MM (LACING)	1				
26			40038286			MOTOR_PULLEY_60HZ_1300	1				
27		*	SM8061010TP			SCREW	2				
28			40038285			MOTOR_PULLEY_50HZ_1300	1				
29		*	SM8061010TP			SCREW	2				
30			40112426			THREAD_TENSION_NO3_AS	1				
31		*	SM4042501SC			SCREW M4X0.7 L=25	1				
32		*	WP0430801SE			WASHER 4.3X9X0.8	1				
33		*	40112427			SPRING_BASE	1				
34		*	B3105377B00			THREAD TAKE-UP SPRING	1				
35		*	40040243			SPRING_HOOK	1				
36		*	WP0451016SP			WASHER 4.5X20X1	1				
37		*	D2063772B00			LOCKING CAM PLATE HO	1				
38			40041085			GAUGE	1				



SPECIAL ORDER SPEC COMPONENTS









## HOW TO MAKE USE OF THIS PARTS LIST

1.As to "#01" and "#02" refer to the "Note" given at the bottom of the respective pages.

2.Codes on the "Qty" column

- Each numeral indicates the number of parts required.
- "0.1" and "2.5" indicate the length (in meters) of the respective parts.

3.Parentheses mean that the corresponding part is a subpart that constructs an assembly part.

4.Dotted lines on the Figures indicate assembly parts.

1. リストページの# 0 1、# 0 2の印は、ページ下の"注記"の説明を参照下さい。
2. 数量欄の数字は、個数を表し、0. 1、2. 5等の数値は、長さ（単位メートル）を表します。
3. 数量欄の（ ）は、組部品を構成している子部品であることを意味します。
4. イラストページの-----枠は、組構成であることを意味します。

NUMERICAL INDEX OF PARTS

PART NO	PAGE	REF NO.	PART NO	PAGE	REF NO.	PART NO	PAGE	REF NO.
10510808	14	8	26019505	8	43	26030007	22	3
11155108	28	3	26019604	20	20	26030106	22	7
11155207	28	4	26019802	8	32	26030304	22	2
11159365	28	2	26019901	8	28	26030601	20	9
13160304	20	26	26020107	8	29	26030809	22	21
13160304	30	18	26020206	8	17	26030809	30	15
14606107	18	2	26020305	8	12	26030908	22	5
22921407	8	27	26020404	8	11	26031005	22	6
22924906	20	25	26020503	8	7	26031203	4	6
22932800	30	23	26020602	8	5	26031302	4	8
22933006	30	2	26021105	8	57	26031351	4	7
22933105	30	10	26021402	8	44	26031401	4	9
22933303	30	1	26021600	4	3	26031500	4	10
26000455	8	16	26021709	14	55	26031609	4	11
26000950	8	6	26022202	14	39	26031708	4	12
26003103	6	23	26022400	10	59	26032003	4	4
26005207	8	41	26022509	10	50	26032508	14	29
26005306	8	40	26022608	4	27	26033308	14	14
26011205	4	22	26022707	4	28	26033407	14	13
26012401	16	2	26023200	10	13	26033605	14	57
26012500	16	4	26024208	10	21	26033704	4	20
26012609	16	10	26024604	10	3	26034801	30	12
26012708	16	11	26024703	10	5	26037200	4	46
26013102	6	40	26024901	10	4	26037903	30	21
26013409	6	8	26025106	10	19	26229104	20	6
26013607	6	6	26025205	2	29	26233700	30	11
26013805	6	9	26025403	2	9	40033327	30	13
26015305	6	30	26025502	2	6	40038110	20	7
26015404	6	28	26025700	2	12	40038111	6	32
26015503	6	26	26025809	2	11	40038116	14	3
26017103	24	16	26025908	2	14	40038117	18	12
26017301	24	18	26026005	2	13	40038118	20	3
26017707	18	3	26026104	2	16	40038119	14	1
26018101	14	2	26026203	2	17	40038120	18	8
26018309	16	31	26026302	2	21	40038121	18	9
26018309	18	23	26026401	2	22	40038122	18	10
26018408	18	19	26026609	2	15	40038135	16	16
26018507	18	20	26026708	2	20	40038136	16	17
26018606	18	18	26026856	2	1	40038137	16	15
26018705	18	15	26027102	2	25	40038138	16	18
26019000	8	52	26027409	2	27	40038139	16	19
26019109	8	37	26027805	20	1	40038140	16	20
26019208	8	22	26028001	20	27	40038142	18	7
26019307	8	21	26028308	20	23	40038160	20	22
26019406	8	18	26029207	22	28	40038169	16	5

NUMERICAL INDEX OF PARTS

PART NO	PAGE	REF NO.	PART NO	PAGE	REF NO.	PART NO	PAGE	REF NO.
40038173	4	35	40038433	10	34	40040946	30	16
40038174	30	5	40038436	10	38	40040951	18	4
40038175	16	6	40038439	10	32	40040952	18	5
40038203	16	3	40038442	10	44	40040953	14	17
40038205	8	2	40038444	10	47	40040961	10	56
40038205	30	20	40038445	14	27	40040962	14	16
40038206	8	48	40038446	4	41	40040964	10	55
40038207	8	53	40038448	20	11	40040965	10	45
40038208	8	25	40038449	16	8	40040971	28	1
40038210	8	31	40038452	24	2	40041022	4	26
40038214	8	26	40038453	10	24	40041025	10	52
40038219	14	43	40038455	24	24	40041029	10	16
40038269	22	25	40038456	24	13	40041030	10	14
40038270	20	5	40038459	30	14	40041032	10	48
40038271	22	26	40038461	16	28	40041032	34	1
40038283	14	35	40038463	10	20	40041033	10	51
40038285	30	28	40038469	10	31	40041044	12	63
40038286	30	26	40038471	4	43	40041045	12	62
40038290	32	2	40038476	8	14	40041045	18	24
40038304	22	32	40038479	8	23	40041046	22	29
40038305	24	23	40038482	6	25	40041048	22	36
40038306	24	22	40038483	4	23	40041049	22	37
40038313	10	39	40038484	6	5	40041050	22	31
40038314	10	40	40038486	24	4	40041051	22	38
40038320	8	58	40038488	24	1	40041052	10	11
40038321	14	19	40038489	24	9	40041054	22	30
40038396	8	47	40038492	8	9	40041055	10	26
40038397	14	50	40038494	24	15	40041056	10	27
40038398	14	20	40038495	14	53	40041057	10	28
40038400	6	10	40038496	10	17	40041058	2	2
40038403	6	11	40038498	10	7	40041061	10	35
40038404	8	38	40038499	10	9	40041067	4	32
40038405	8	42	40038502	14	36	40041069	2	28
40038408	8	39	40040243	30	35	40041072	30	4
40038410	20	28	40040931	4	16	40041073	30	9
40038413	14	31	40040932	4	18	40041077	8	8
40038414	14	30	40040935	4	39	40041085	30	38
40038424	4	37	40040936	4	38	40041106	6	22
40038425	4	30	40040937	2	32	40042081	10	58
40038426	4	1	40040938	2	24	40042148	16	29
40038428	14	38	40040940	20	29	40042279	10	37
40038429	14	45	40040942	22	14	40042281	10	41
40038430	4	31	40040943	22	13	40042437	20	12
40038431	4	24	40040944	22	16	40054729	4	44
40038432	10	33	40040946	22	20	40054730	4	45

NUMERICAL INDEX OF PARTS

PART NO	PAGE	REF NO.	PART NO	PAGE	REF NO.	PART NO	PAGE	REF NO.
40055591	30	24	B25563720AA	32	3	NM6060001CP	2	31
40085784	26	2	B25583720AA	32	4	NM6060001CP	8	33
40085785	26	3	B2608280000	20	8	NM6060001CP	10	6
40085786	26	4	B2611373N00	20	30	NM6060001CP	20	16
40085787	26	5	B2629372000	22	12	NM6060001SE	8	56
40085788	26	6	B2630372000A	22	17	NM6060003SP	16	25
40085789	26	7	B2631372000	22	18	NM6060003SP	20	2
40085790	26	8	B2632372000A	22	19	NM6080021SP	14	44
40085791	26	9	B2640372000	22	8	NS6110310SP	22	10
40085792	26	10	B2702377000	6	17	NS6150310SP	14	49
40085793	26	11	B27033770A0	6	16	NS6150310SP	20	14
40085794	26	12	B3105377B00	30	34	NS6150310SP	30	8
40085795	26	13	B3211232000	22	9	NS6620310SP	14	48
40085796	26	16	B4411372000	14	15	NS6680410SP	20	10
40087058	20	18	B4420373000	14	11	PS0300162KH	8	34
40096325	26	14	CM301300001	4	17	PS0500102KH	4	50
40096326	26	17	CM500200001	16	22	RC0560711KP	24	11
40096327	26	19	CQ202000000	18	16	RE0200000K0	4	13
40096354	26	1	CQ2500000F0	18	25	RE0320000K0	4	51
40097991	6	34	CQ252000000	12	67	SD0402001TP	8	10
40098330	10	23	CQ3000000F0	12	65	SD0460576TP	24	19
40098872	6	33	CS0790721TH	6	2	SD0481456TP	24	21
40112426	30	30	CS079072ATH	6	1	SD0550181SP	2	10
40112427	30	33	CS0950810SH	14	24	SD0550301SP	2	8
40120628	14	23	CS0950816SH	14	25	SD0600095TH	6	21
B1161227000	10	25	D2063772B00	30	37	SD0600277TP	4	36
B1203372000	16	1	D2509282A00	24	8	SD0600346TP	30	19
B1208372000	16	14	D2529373B00A	10	29	SD0640211SP	14	33
B1215372A00	6	39	D2529373C00A	32	7	SD0640246SP	6	12
B1215372B00	16	26	D2556372CAA	32	5	SD0640323TP	14	46
B12173720BA	16	30	D2558372CAA	32	6	SD0640328TP	24	3
B1220372000	6	44	D8204555D00	28	5	SD0640391TP	2	18
B1221373N00	6	42	EA9500B0100	12	66	SD0640481SP	10	22
B1221373NA0	6	41	J1067000000	30	22	SD0640481SP	14	22
B12243720A0	6	37	MAZ201010A0	32	1	SD0640486TP	10	53
B1239372000	6	46	MTJVM00000C	30	25	SD0640976TP	10	46
B12413770A0	6	15	MTQ100B1600	18	11	SD0641322TP	14	56
B12413770B0	6	14	MTQ700B1802	30	3	SD0680276TP	20	15
B1243372000	16	9	NM6030001SN	8	4	SD0710706TP	22	11
B1632180000	14	40	NM6040001SP	24	20	SD0720336SP	24	7
B24063730A0	6	20	NM6040002SN	8	45	SD0790316TP	14	51
B2410373000	6	18	NM6050001SE	26	24	SD0790402TP	14	47
B2506373000A	10	49	NM6050001SP	10	12	SD0790806TP	8	15
B2529373000	10	1	NM6050001SP	14	52	SD0791276TP	8	3
B2541372000	2	30	NM6050001SP	24	14	SD0791506TP	8	13



NUMERICAL INDEX OF PARTS

PART NO	PAGE	REF NO.	PART NO	PAGE	REF NO.	PART NO	PAGE	REF NO.
SD0800341SP	22	24	SM8060812TP	22	35	WP0501016SD	8	60
SD0800706TP	20	17	SM8061010TP	6	31	WP0501016SD	10	30
SD0901806TP	24	17	SM8061010TP	14	28	WP0510516SD	14	41
SD0950804TP	18	14	SM8061010TP	16	27	WP0531001SC	26	22
SD1270346TP	22	1	SM8061010TP	22	15	WP0550800SP	8	49
SK3311600SE	28	6	SM8061010TP	30	29	WP0612056SD	30	7
SK3483200SE	28	7	SM8061212TP	10	18	WP0612066SP	20	19
SM1040870TP	6	36	SM8080812TP	16	23	WP0621026SP	16	13
SM1040950TP	6	7	SM8081752TP	16	24	WP0621026SP	24	10
SM4040655SP	4	47	SM9050813SE	10	36	WP0703516SP	14	12
SM4040655SP	10	42	SM9061003CP	20	21	WP0751576SD	14	10
SM4040855SP	4	34	SM9061250TP	20	24	WP0850002SP	22	4
SM4042501SC	30	31	SM9061403CP	8	55	WP0851216SC	14	6
SM4050855SP	10	43	SM9061403CP	18	13	WP1612616SE	26	15
SM4051405SE	26	23	SS2110920TP	18	17	WS0510002KN	26	21
SM4061255SP	8	46	SS6660712TP	6	43	WS0650389KP	4	29
SM6030402TP	14	58	SS7080310SP	6	19			
SM6040502TP	22	33	SS7080510TP	18	1			
SM6040560TP	22	22	SS7090410SP	2	19			
SM6040560TP	30	17	SS7090620TP	6	3			
SM6040600SP	4	33	SS7090910TP	22	34			
SM6040600SP	8	59	SS7150940SP	2	23			
SM6040650TP	4	5	SS8110310SP	6	29			
SM6040650TP	24	6	SS8110410TP	6	24			
SM6040800SP	6	4	SS8110410TP	14	26			
SM6040800SP	8	35	SS8110422TP	6	35			
SM6041200SP	18	6	SS8150410TP	6	27			
SM6050800SP	4	21	SS8151570SP	20	13			
SM6050800SP	12	61	SS8660612TP	6	45			
SM6050800SP	22	23	SS8660612TP	18	21			
SM6051400SP	8	51	SS8660942TP	18	22			
SM6051600SP	14	32	SS8681412TP	10	60			
SM6060550TP	16	21	SS9120643TP	10	2			
SM6061002TP	14	37	SS9156830SP	30	6			
SM6061150TP	20	4	SS9621413SP	2	4			
SM6061602TN	22	27	TA1250406R0	4	49			
SM6062450TP	16	12	TA2050406R0	4	15			
SM6083042CH	4	19	WP0330501SB	14	34			
SM7051460TP	8	50	WP0430800SD	4	48			
SM7051460TP	14	54	WP0430800SD	24	5			
SM8040612TP	16	7	WP0430801SE	30	32			
SM8060552TP	10	57	WP0450801SP	8	36			
SM8060610TP	4	25	WP0450846SP	8	54			
SM8060612TP	4	42	WP0451016SP	30	36			
SM8060612TP	14	21	WP0501016SD	2	5			