

MODEL : LU-2810/LU-28107/LU-2860/LU-2860-7/LU-2818-7/LU-2868-7/  
LU-2810-7/X73178  
List No : 1677-00

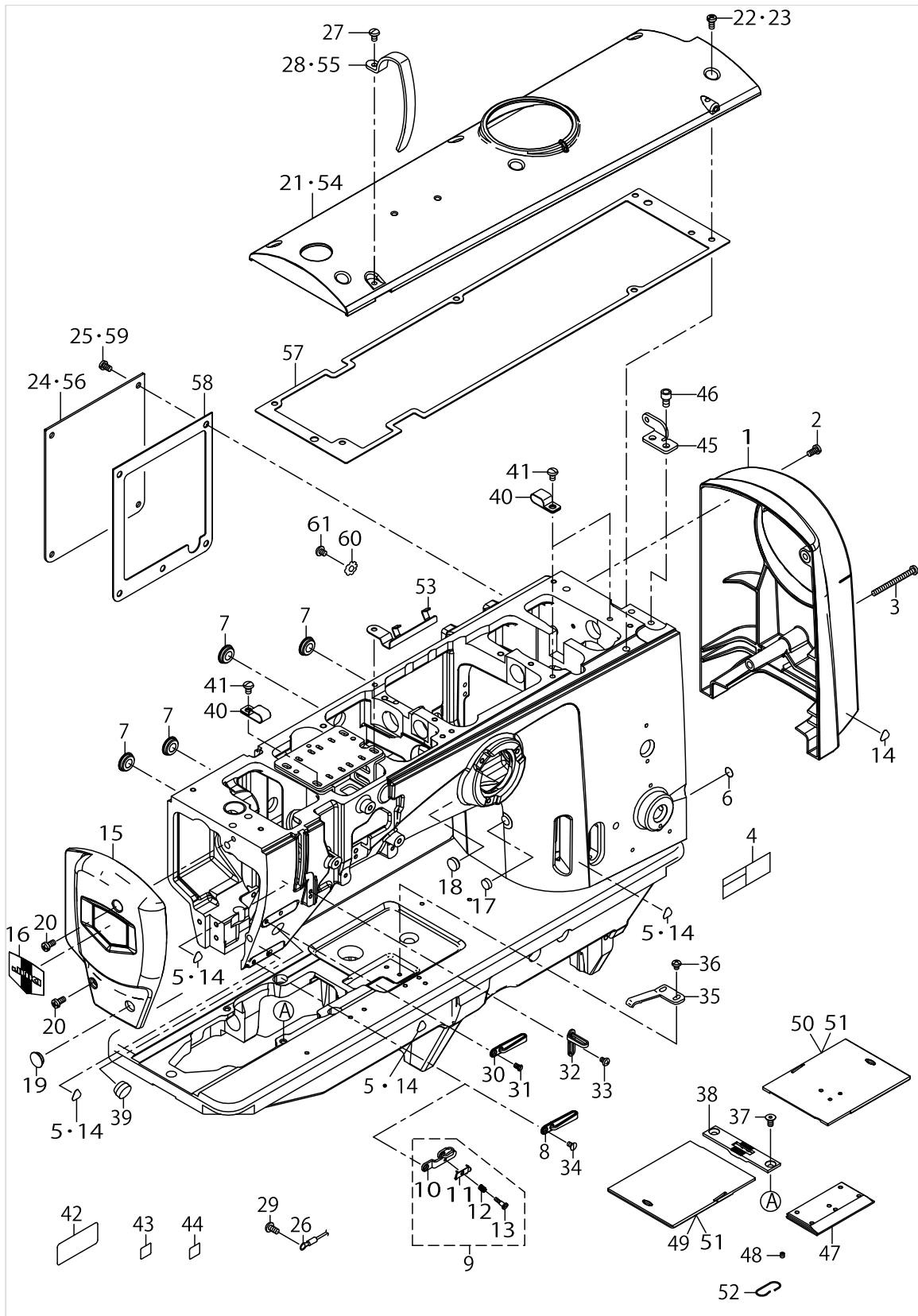
# PARTS LIST

Published:09/10/2017

## CONTENTS

FRAME & MISCELLANEOUS COVER COMPONENTS .....	1
MAIN SHAFT & THREAD TAKE-UP LEVER COMPONENTS .....	5
NEEDLE BAR COMPONENTS .....	9
LOWER SHAFT COMPONENTS.....	13
OPENNER COMPONENTS .....	19
HOOK COMPONENTS.....	21
UPPER FEED COMPONENTS.....	25
HAND LIFTER & AUTO LIFTER COMPONENTS.....	31
KNEE LIFTER COMPONENTS (FOR LU-2810,2860).....	33
LOWER FEED COMPONENTS.....	35
FEED ADJUST COMPONENTS (FOR LU-2810,2860,2810-7,2860-7,2810-7/X73178).....	39
FEED ADJUST COMPONENTS (FOR LU-2818-7,2868-7) .....	43
DL COMPONENTS (FOR LU-2810-7,2860-7,2818-7,2868-7,2810-7/X73178).....	47
AUTO BT COMPONENTS (FOR LU-2810-7,2860-7,2810-7/X73178).....	49
AUTO BT COMPONENTS (FOR LU-2818-7,2868-7) .....	51
6-RANGE SW COMPONENTS (FOR LU-2810-7,2860-7,2818-7,2868-7,2810-7/X73178).....	53
SPEED ADJUST COMPONENTS (FOR LU-2810-7,2860-7,2818-7,2868-7,2810-7/X73178).....	55
THREAD CUTTING COMPONENTS (FOR LU-2810-7,2860-7,2818-7,2868-7,2810-7/X73178).....	57
CONDENSE COMPONENTS (FOR LU-2818-7,2868-7).....	63
THREAD TENSION COMPONENTS (FOR LU-2810,2810-7,2818-7,2810-7/X73178).....	65
THREAD TENSION COMPONENTS (FOR LU-2860,2860-7,2868-7) .....	67
TENSION RELEASE COMPONENTS (FOR LU-2810-7,2860-7,2818-7,2868-7,2810-7/X73178).....	71
PNEUMATIC COMPONENTS (FOR LU-2810-7,2860-7,2818-7,2868-7,2810-7/X73178).....	73
BOBBIN WINDER COMPONENTS.....	75
LUBRICATION COMPONENTS (FOR LU-2810,2810-7,2818-7,2810-7/X73178).....	77
LUBRICATION COMPONENTS (FOR LU-2860,2860-7,2868-7) .....	81
THREAD STAND COMPONENTS (FOR LU-2810,2810-7,2818-7,2810-7/X73178).....	87
THREAD STAND COMPONENTS (FOR LU-2860,2860-7,2868-7).....	89
BOTTOM COVER & BELT COVER COMPONENTS .....	91
ACCESSORIES PARTS COMPONENTS .....	93
TABLE OF EXCHANGING GAUGE PARTS (FOR LU-2810,2810-7,2818-7).....	95
TABLE OF EXCHANGING GAUGE PARTS (FOR LU-2860,2860-7,2868-7).....	97
TABLE OF EXCHANGING GAUGE PARTS SET.....	101
TABLE OF OPTIONAL GAUGE PARTS .....	105
TABLE OF OPTIONAL GAUGE PARTS (FOR LU-2810S,2810S-7).....	107
TABLE OF OPTIONAL GAUGE PARTS (FOR LU-2810A,2810A-7,2818A-7).....	109
TABLE OF OPTIONAL GAUGE PARTS (FOR LU-2860S,2860S-7).....	111
TABLE OF OPTIONAL GAUGE PARTS (FOR LU-2860A,2860A-7,2868A-7).....	113
GREASE COMPONENTS (OPTIONAL PARTS) .....	115
SUSPENSION SQUARE COMPONENTS (OPTIONAL PARTS) .....	117
HOW TO MAKE USE OF THIS PARTS LIST .....	119

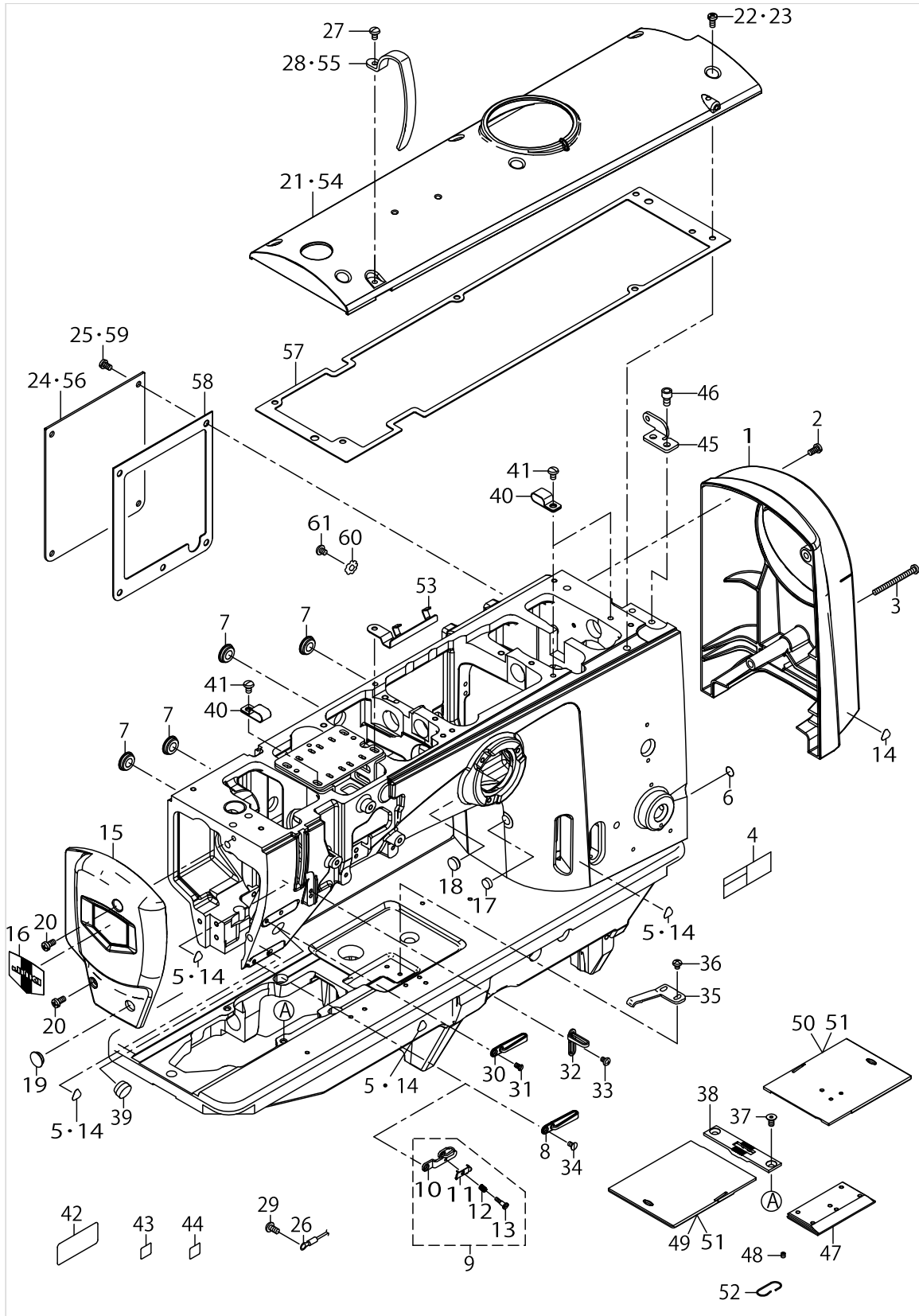
FRAME & MISCELLANEOUS COVER COMPONENTS



FRAME & MISCELLANEOUS COVER COMPONENTS

No.	Parts No.	Parts name	Remarks	Level	Cons	Qty
1	40130705	MOTOR_COVER	FOR LU-2810-7,2860-7, 2818-- 7,2868-7,2810-7/X73178			1
2	SM4051055SP	SCREW	FOR LU-2810-7,2860-7, 2818-- 7,2868-7,2810-7/X73178			2
3	SM4055501SC	SCREW M5X0.8 L=55	FOR LU-2810-7,2860-7, 2818-- 7,2868-7,2810-7/X73178			1
4	40102261	SAFETY_LABEL_S				1
5	CM300200001	ATTENTION SEAL	FOR LU-2810,2860			4
6	22901805	GROUND MARK				1
7	TA1650406R0	PRUG				4
8	40084142	THREAD_GUIDE_LOWER	FOR LU-2810,2860			1
9	40034675	THREAD_GUIDE_ASM_E	FOR LU-2810-7,2860-7, 2818-- 7,2868-7,2810-7/X73178			1
10	40034674	THREAD_GUIDE		*		1
11	40042716	THREAD_PRESSER_PLATE		*		1
12	B1132521000	THREAD PRESSER PLATE SPRING		*		1
13	SD0380556TL	SHOULDER SCREW D=3.8 H=5.5		*		1
14	CM300200001	ATTENTION SEAL	FOR LU-2810-7,2860-7, 2818-- 7,2868-7,2810-7/X73178			5
15	40130704	FACE_PLATE				1
16	22902506	FACE PLATE				1
17	TA1030402R0	RUBBER PLUG D=10.3 L=4				1
18	TA1270502R0	RUBBER PLUG				1
19	TA1250406R0	RUBBER PLUG D=12.5 L=4				1
20	SM4051055SP	SCREW				2
21	40130706	TOP_COVER	FOR LU-2810,2860,2810-7, 2860-7,2810-7/X7317			1
22	SM4051055SP	SCREW	FOR LU-2810-7,2860-7, 2818-- 7,2868-7,2810-7/X73178			6
23	SM4051055SP	SCREW	FOR LU-2810,2860			9
24	40130703	APERTURE_COVER	FOR LU-2810,2860,2810-7, 2860-7,2810-7/X7317			1
25	SM4050855SP	SCREW	FOR LU-2810,2860,2810-7, 2860-7,2810-7/X7317			4
26	22951552	GROUND WIRE ASM.	FOR LU-2810-7,2860-7, 2818-- 7,2868-7,2810-7/X73178			1
27	SM4040855SP	SCREW				1
28	23600505	THREAD TAKE-UP LEVER COVER	FOR LU-2810,2860,2810-7, 2860-7			1
29	SM4051055SP	SCREW	FOR LU-2810-7,2860-7, 2818-- 7,2868-7,2810-7/X73178			1
30	40084142	THREAD_GUIDE_LOWER				1
31	SM1040750TP	SCREW M4 L=7				1
32	40126221	THREAD_GUIDE				1
33	SM4040655SP	SCREW M4 L=6				1
34	SM1040750TP	SCREW M4 L=7				1
35	B1111563000	BED SLIDE SPRING				1
36	SM4040655SP	SCREW M4 L=6				2
37	SM1051052TN	PLATE SCREW M5 L=10				2
38	40126349	THROAT_PLATE_2810	EXCHANGING GAUGE PARTS (SEE.P.53,54)			1
39	TA1550902R0	PLUG				1
40	D2112555B00	CORD HOLDER LARGE	FOR LU-2810-7,2860-7, 2818-- 7,2868-7,2810-7/X73178			3
41	SM4050855SP	SCREW	FOR LU-2810-7,2860-7, 2818-- 7,2868-7,2810-7/X73178			2
42	40094561	SEWING MACHINE LABEL (EU)	FOR JE			1
43	CM600100101	WEEE MARK LABEL S	FOR JE			1

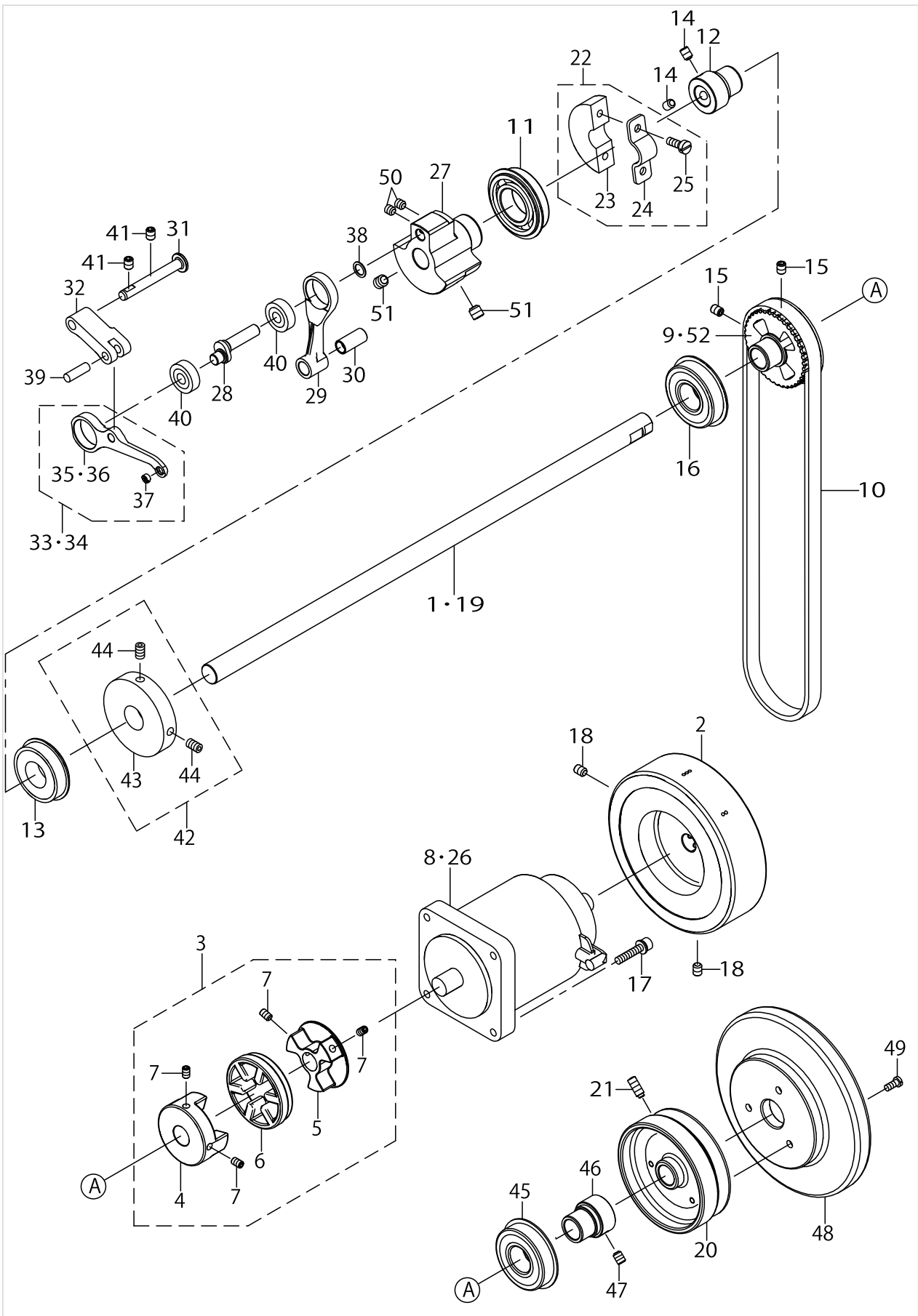
FRAME & MISCELLANEOUS COVER COMPONENTS



FRAME & MISCELLANEOUS COVER COMPONENTS

No.	Parts No.	Parts name	Remarks	Level	Cons	Qty
44	40150131	EAC_MARK_LABEL_S	FOR JE			1
45	40112277	PLATE	FOR LU-2810,2860			1
46	SM6061002TP	SCREW M6 L=10	FOR LU-2810,2860			2
47	40147918	SLIDE_PLATE_FRONT	EXCHANGING GAUGE PARTS (SEE.P.53,54)			1
48	SM8040412TP	SET SCREW M4 L=4	FOR LU-2810A,2810A-7,2860-A, 2860A-7,2818A-7,2868A-7, 2810-7/X73178			1
49	40112224	SLIDE_PLATE_2810L	EXCHANGING GAUGE PARTS (SEE.P.53,54)			2
50	40112225	SLIDE_PLATE_2810R	EXCHANGING GAUGE PARTS (SEE.P.53,54)			1
51	40127056	SLIDE_PLATE_2860R	EXCHANGING GAUGE PARTS (SEE.P.53,54)			1
52	B111105100B	SPRING	FOR LU-2810A,2810A-7,2860-A, 2860A-7,2818A-7,2868A-7, 2810-7/X73178			1
53	40134805	CABLE HOLDER	FOR LU-2810-7,2860-7, 2818-7,2868-7,2810-7/X73178			1
54	40148283	TOP COVER LP	FOR LU-2818-7,2868-7			1
55	40134834	THREAD_TAKE_UP_LEVER COVER	FOR LU-2818-7,2868-7, 2810-7/X7317			1
56	40129995	APERTURE_COVER	FOR LU-2818-7,2868-7			1
57	40147919	TOP_COVER_PACKING				1
58	40151799	WINDOW_PLATE_PACKING				1
59	SM4051055SP	SCREW	FOR LU-2818-7,2868-7			5
60	WT0530002KS	TOOTHED WASHER D=5.3	FOR LU-2810,2860			1
61	SM4050655SP	SCREW M5 L=6	FOR LU-2810,2860			1

MAIN SHAFT & THREAD TAKE-UP LEVER COMPONENTS

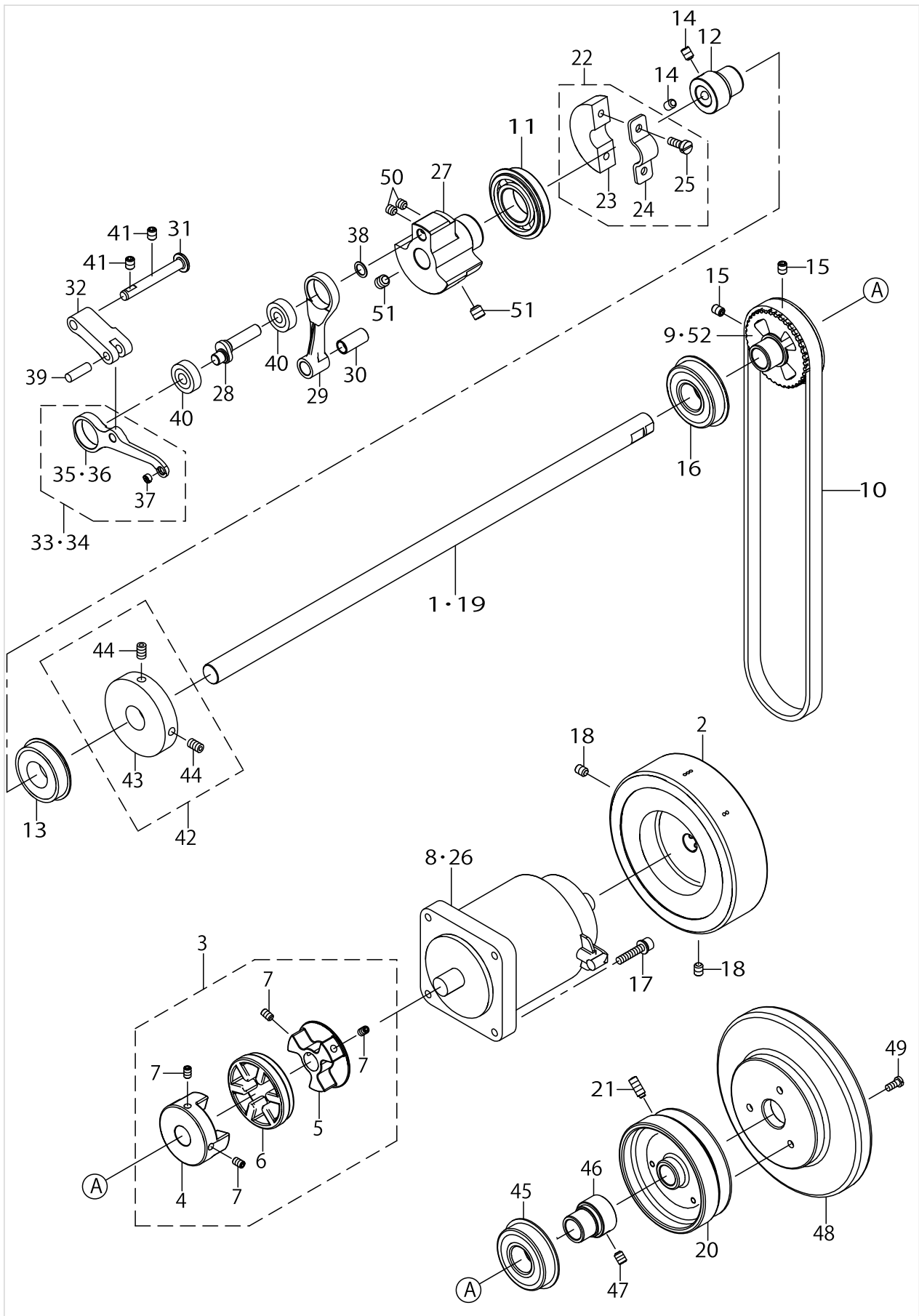


MAIN SHAFT & THREAD TAKE-UP LEVER COMPONENTS

No.	Parts No.	Parts name	Remarks	Level	Cons	Qty
1	40112087	MAIN_SHAFT_DD	FOR LU-2810-7,2860-7, 2818--7,2868-7, 2810-7/X73178			1
2	40130702	HAND_WHEEL	FOR LU-2810-7,2860-7, 2818--7,2868-7, 2810-7/X73178			1
3	40112312	COUPLING_ASSY	FOR LU-2810-7,2860-7, 2818--7,2868-7, 2810-7/X73178			1
4	40130277	HUB_L	FOR LU-2810-7,2860-7, 2818--7,2868-7, 2810-7/X73178	*		1
5	40112106	HUB_R	FOR LU-2810-7,2860-7, 2818--7,2868-7, 2810-7/X73178	*		1
6	40125950	SPIDER	FOR LU-2810-7,2860-7, 2818--7,2868-7, 2810-7/X73178	*		1
7	SM8050812TP	SCREW M5X8	FOR LU-2810-7,2860-7, 2818--7,2868-7, 2810-7/X73178	*		4
8	40151488	SERVO_MOTOR_550W	FOR LU-2810-7,2818-7			1
9	40126321	SPROCKET_UPPER	FOR LU-2810-7,2860-7, 2818--7,2868-7, 2810-7/X73178			1
10	40112274	TIMING_BELT			☆	1
11	40143083	BUSHING				1
12	23605207	MAIN SHAFT BEARING SUPPORT				1
13	SB120001800	BEARING				1
14	SM80608A2TP	SCREW M6 L=8				2
15	SM8060812TP	SCREW M6 L=8				2
16	40143088	BEARING	FOR LU-2810-7,2860-7, 2818--7,2868-7, 2810-7/X73178			1
17	SL6052592TN	BOLT	FOR LU-2810-7,2860-7, 2818--7,2868-7, 2810-7/X73178			4
18	SM8060812TP	SCREW M6 L=8	FOR LU-2810-7,2860-7, 2818--7,2868-7, 2810-7/X73178			2
19	40112088	MAIN_SHAFT	FOR LU-2810,2860			1
20	40112299	HAND_WHEEL_A	FOR LU-2810,2860			1
21	SS8151550SP	SCREW 15/64-28 L=15	FOR LU-2810,2860			2
22	40010437	CRANK_BALANCER_ASM.				1
23	40010438	CRANK_BALANCER		*		1
24	40010439	CRANK_BALANCER_FIX_PLATE		*		1
25	40010440	CRANK_BALANCER_FIX_PLATE_SCREW		*		2
26	40126244	AC SERVO MOTOR	FOR LU-2860-7,2868-7			1
27	40112091	COUNTER_WEIGHT				1
28	40112092	NEEDLE_BAR_CRANK				1
29	40112093	NEEDLE_BAR_CRANK_ROD				1
30	40112094	CRANK_ROD_BUSH				1
31	40011902	THREAD_TAKE_UP_CRANK_SHAFT				1
32	40125930	TAKE_UP_LEVER_CRANK				1
33	40127049	THREAD_TAKE_UP_ASM.	FOR LU-2810,2860, 2810-7,2860-7			1
34	40134545	THREAD_TAKE_UP_ASM.	FOR LU-2818-7,2868-7, 2810-7/X73178			1
35	40125939	THREAD_TAKE_UP	FOR LU-2810,2860, 2810-7,2860-7	*		1
36	40134532	THREAD_TAKE_UP	FOR LU-2818-7,2868-7, 2810-7/X73178	*		1
37	10546901	BUSH		*		1
38	WP0820516SP	WASHER 11.6X8.2X0.6				1
39	10721504	FEED ADJUSTING PIN				1
40	SB108002400	BEARING				2
41	SM8060812TP	SCREW M6 L=8				2
42	40010533	BTW_DRIVING_WHEEL_ASM.				1
43	40010534	BTW_DRIVING_WHEEL		*		1



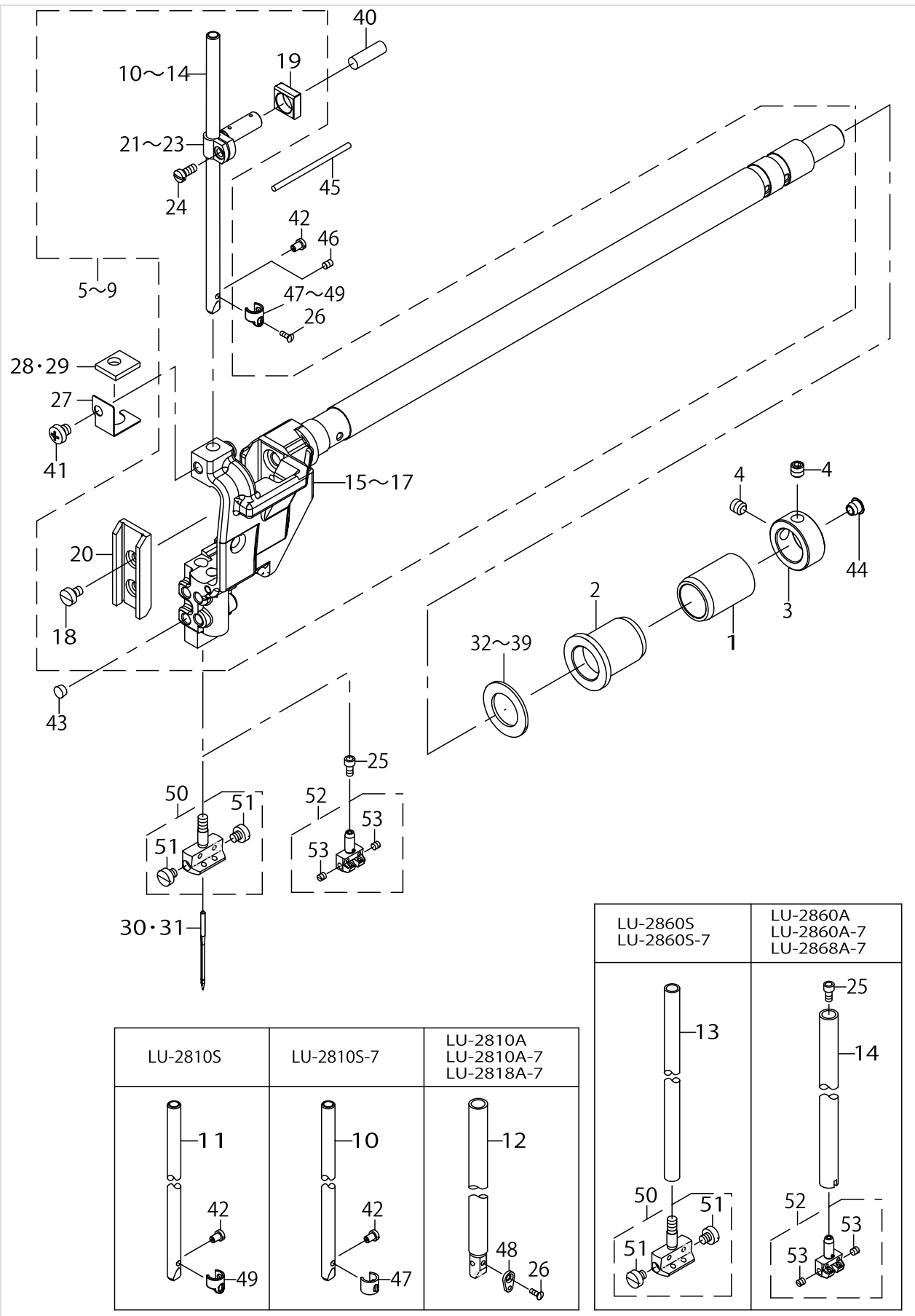
MAIN SHAFT & THREAD TAKE-UP LEVER COMPONENTS



MAIN SHAFT & THREAD TAKE-UP LEVER COMPONENTS

No.	Parts No.	Parts name	Remarks	Level	Cons	Qty
44	40010535	DRIVING_WHEEL_SCREW		*		2
45	SB120002700	BEARING	FOR LU-2810,2860			1
46	23605207	MAIN SHAFT BEARING SUPPORT	FOR LU-2810,2860			1
47	SM80608A2TP	SCREW M6 L=8	FOR LU-2810,2860			2
48	40026457	HAND WHEEL B	FOR LU-2810,2860			1
49	SM4051055SP	SCREW	FOR LU-2810,2860			3
50	SM8060612TP	SCREW M6 L=6				2
51	SM8080812TP	SCREW M8X8				2
52	40028116	MAIN_SHAFT_SPROCKET	FOR LU-2810,2860			1

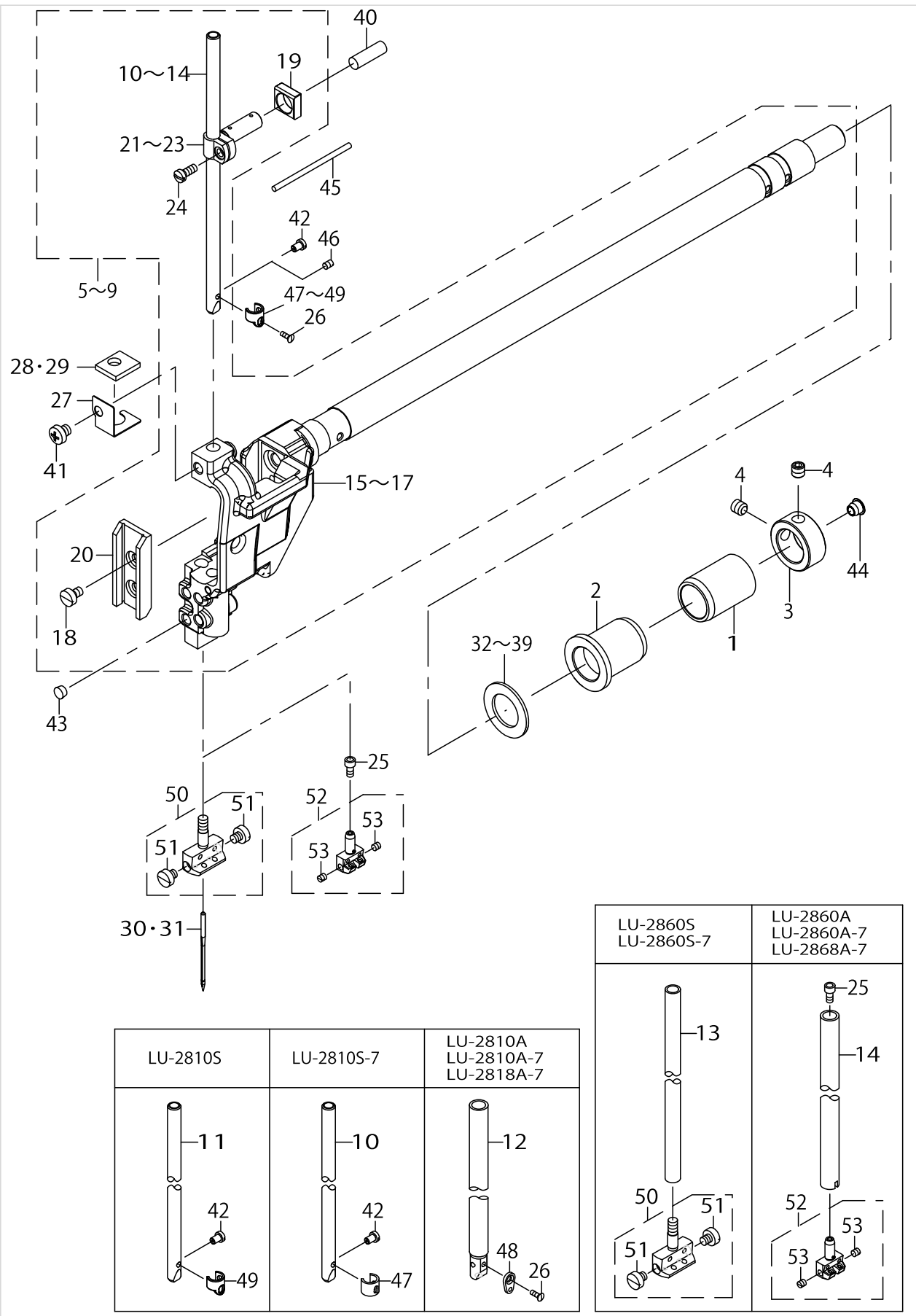
# NEEDLE BAR COMPONENTS



NEEDLE BAR COMPONENTS

No.	Parts No.	Parts name	Remarks	Level	Cons	Qty
1	40010709	NF SHAFT BUSH R				1
2	40152451	BUSHING				1
3	CS1701181TP	THRUST COLLAR D=17 W=11				1
4	SM8060612TP	SCREW M6 L=6				2
5	40126403	N_B_ROCKING_BASE_ASM_2810S7	FOR LU-2810S-7			1
6	40127042	N_B_ROCKING_BASE_ASM_2810SS	FOR LU-2810S			1
7	40126402	N_B_ROCKING_BASE_ASM_2810E	FOR LU-2810A,2810A-7, 2818A-7,2810-7/X73178			1
8	40127051	N_B_ROCKING_BASE_ASM_2860S	FOR LU-2860S,2860S-7			1
9	40127054	N_B_ROCKING_BASE_ASM_2860E	FOR LU-2860A,2860A-7,2868A-7			1
10	21338405	NEEDLE BAR THREAD RACK	FOR LU-2810S-7	*		1
11	B1401053000	NEEDLE BAR	FOR LU-2810S	*		1
12	40143220	NEEDLE_BAR_2810A	FOR LU-2810A,2810A-7, 2818A-7,2810-7/X73178	*		1
13	40127052	NEEDLE BAR	FOR LU-2860S,2860S-7	*		1
14	21451406	NEEDLE BAR	FOR LU-2860A,2860A-7,2868A-7	*		1
15	40154226	N_B_ROCKING_BASE_ASM_2810S	FOR LU-2810S,2810S-7	*		1
16	40136296	N_B_ROCKING_BASE_ASM_2810E	FOR LU-2810A,2810A-7,2860A, 2860A--7,2818A-7,2868A-7, 2810-7/X73178	*		1
17	40154227	N_B_ROCKING_BASE_ASM_2860S	FOR LU-2860S,2860S-7	*		1
18	SM6040650TP	SCREW		*		2
19	40112152	NEEDLE_ROD_SQUARE_BLOCK		*		1
20	40127041	NEEDLE_BAR_GUIDE		*		1
21	B1411053000	NEEDLE BAR CONNECTION	FOR LU-2810S,2810S-7	*		1
22	40112273	NEEDLE BAR CONNECTION	FOR LU-2810A,2810A-7,2860A, 2860A--7,2818A-7,2868A-7, 2810-7/X73178	*		1
23	B1411521000	NEEDLE ROD HOLDER	FOR LU-2860S,2860S-7	*		1
24	SS7090910TP	SCREW 9/64-40 L=8.5		*		1
25	SM6030602TP	SCREW M3X0.5 L=6	FOR LU-2860A,2860A-7,2868A-7			1
26	SS2060310SP	SCREW 3/32-56 L=3	FOR LU-2810A,2810A-7, 2818A-7,2810-7/X73178			1
27	40112270	FELT HOLDER				1
28	40112271	NEEDLE_BAR_FELT_S	FOR LU-2810S,2810S-7,2860S, 2860S-7			1
29	40112272	NEEDLE_BAR_FELT_E	FOR LU-2810A,2810A-7,2860A, 2860A--7,2818A-7,2868A-7, 2810-7/X73178			1
30	M13517B1600	NEEDLE 135X17 #160	FOR LU-2810,2810-7,2818-7		☆	1
31	M13517B1600	NEEDLE 135X17 #160	FOR LU-2860,2860-7,2868-7		☆	2
32	B1438512B00	WASHER 17.1X28X1.5	SELECTIVE PARTS			1
33	22606206	SPACER Y	SELECTIVE PARTS			1
34	22606305	SPACER Z	SELECTIVE PARTS			1
35	22607600	SPACER A	SELECTIVE PARTS			1
36	22607709	SPACER B	SELECTIVE PARTS			1
37	22607808	SPACER D	SELECTIVE PARTS			1
38	22607907	SPACER E	SELECTIVE PARTS			1
39	22606404	SPACER F	SELECTIVE PARTS			1
40	B1412051000	FELT	FOR LU-2810S,2810S-7,2860S, 2860S-7			1
41	SM4050501SC	SCREW M5X0.8 L=5				1
42	SS7080510TP	SCREW 1/8-44 L=4.5	FOR LU-2810S,2810S-7			1
43	TA0500301R0	PLUG 5X5.8 L=3				4
44	TA0620504R0	CAP				1
45	CQ252000000	OIL WICK	FOR LU-2810A,2810A-7,2860A, 2860A--7,2818A-7,2868A-7, 2810-7/X73178			0.05

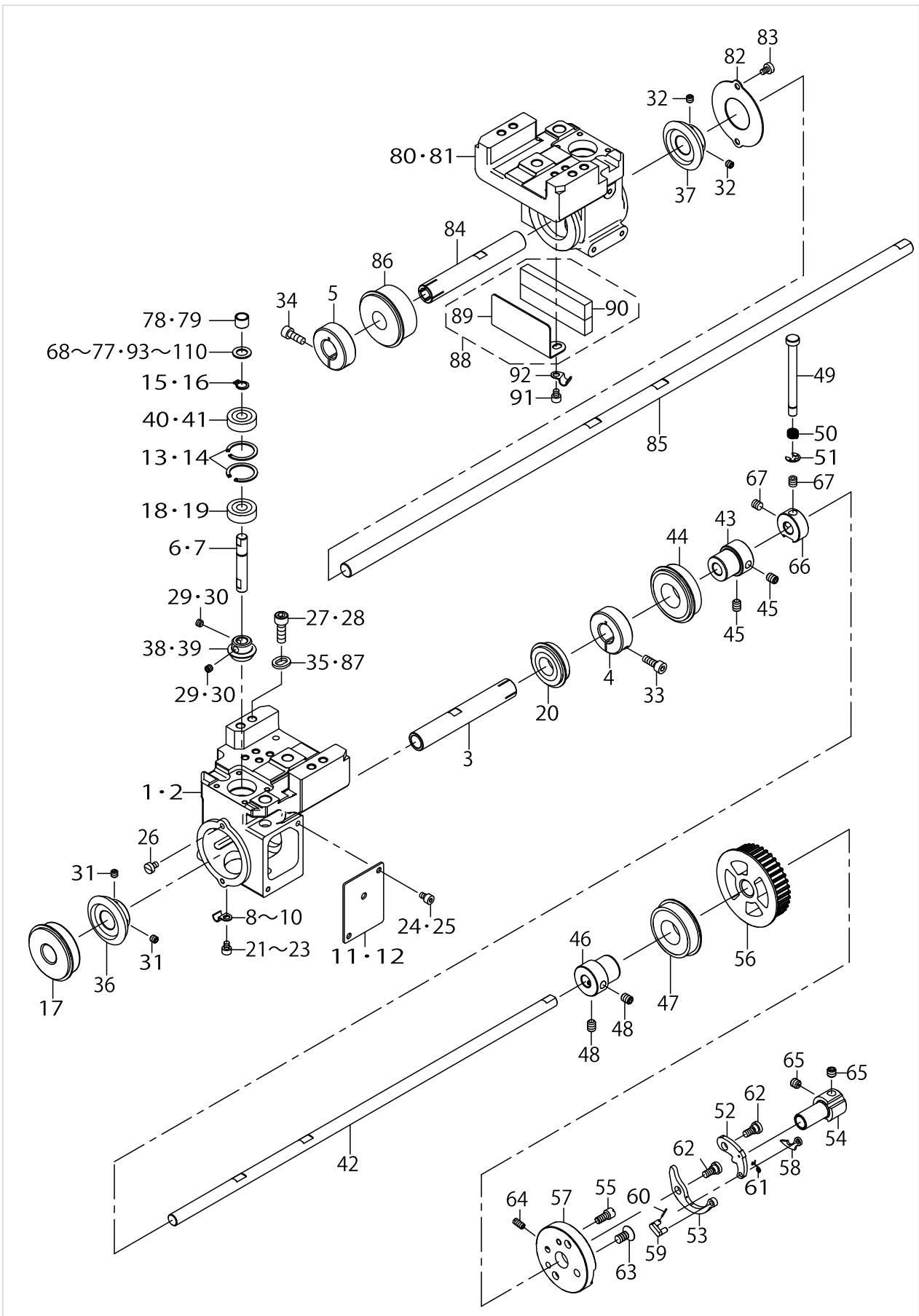
# NEEDLE BAR COMPONENTS



## NEEDLE BAR COMPONENTS

No.	Parts No.	Parts name	Remarks	Level	Cons	Qty
46	SS8080410TP	SCREW 1/8-44 L=3.5	FOR LU-2810A,2810A-7, 2818A-7,2810-7/X73178			1
47	21338504	NEEDLE BAR THREAD RACK	FOR LU-2810S-7			1
48	40143221	NEEDLE_BAR_THREAD_GUIDE_2810A	FOR LU-2810A,2810A-7, 2818A-7,2810-7/X73178			1
49	10308609	THREAD GUARD	FOR LU-2810S			1
50	21368154	NEEDLE CLAMP 3/16 ASM.	EXCHANGING GAUGE PARTS (SEE.P.54)			1
51	SS6090410TP	SCREW 9/64-40 L=3.5	EXCHANGING GAUGE PARTS (SEE.P.54)	*	☆	2
52	40038778	NEEDLE CLAMP(6MM)ASM.	EXCHANGING GAUGE PARTS (SEE.P.54)			1
53	SS8080310TP	SCREW 1/8-44 L=2.8	EXCHANGING GAUGE PARTS (SEE.P.54)	*	☆	2

LOWER SHAFT COMPONENTS

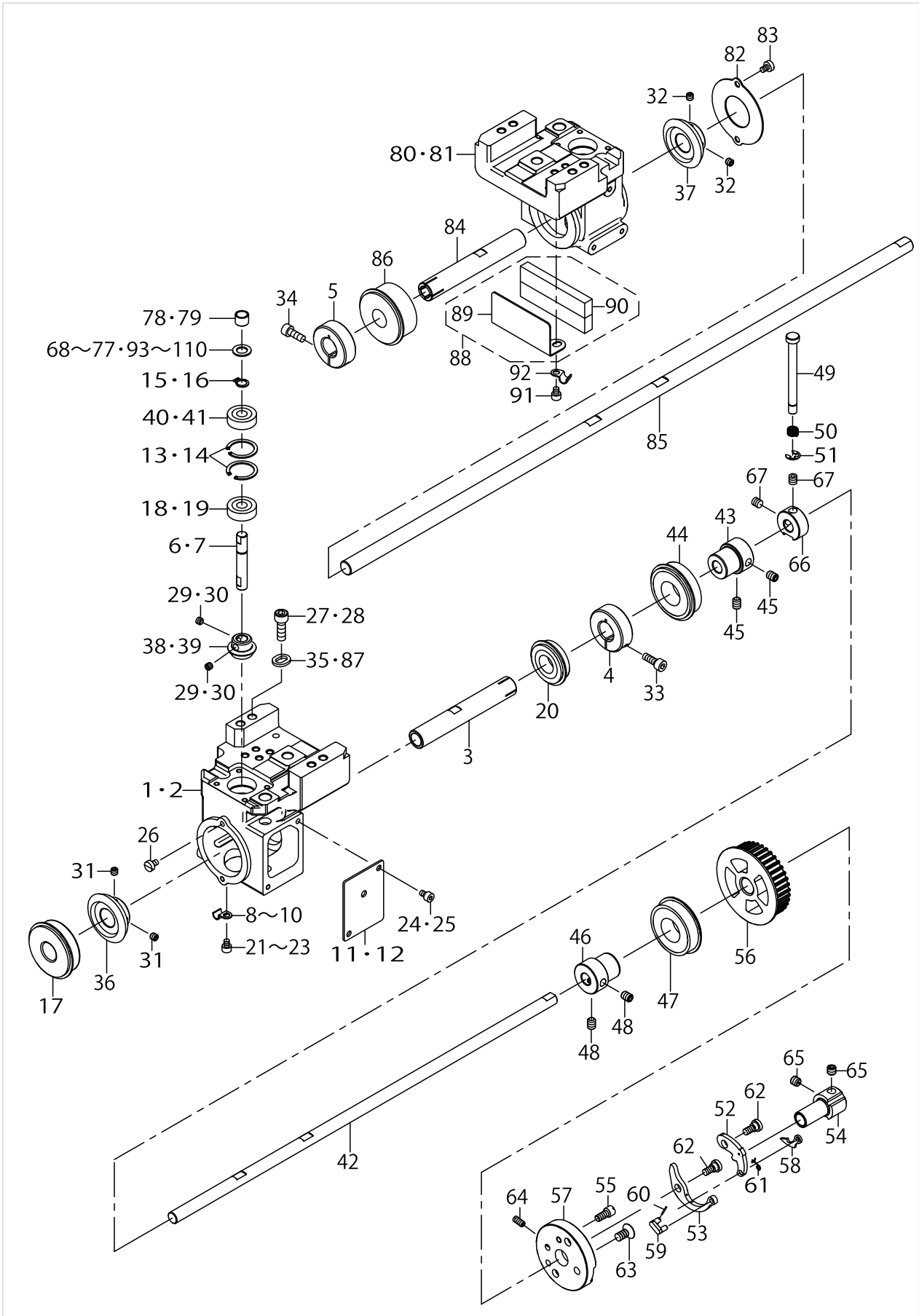


LOWER SHAFT COMPONENTS

No.	Parts No.	Parts name	Remarks	Level	Cons	Qty
1	40125845	HOOK_SHAFT_BASE_RIGHT_TC	FOR LU-2810-7,2860-7, 2818-7,2868-7, 2810-7/X73178			1
2	40125846	HOOK_SHAFT_BASE_RIGHT_N	FOR LU-2810,2860			1
3	40112253	LOWER_SHAFT_C				1
4	40052253	SET COLLAR				1
5	40052253	SET COLLAR	FOR LU-2860,2860-7,2868-7			1
6	40126381	HOOK_SHAFT	FOR LU-2810,2810-7,2818-7, 2810-7/X73178			1
7	40126381	HOOK_SHAFT	FOR LU-2860,2860-7,2868-7			2
8	B3538112000	OIL RETURN TUBE HOLDER	FOR LU-2810			2
9	B3538112000	OIL RETURN TUBE HOLDER	FOR LU-2810-7,2818-7, 2810-7/X73178			1
10	B3538112000	OIL RETURN TUBE HOLDER	FOR LU-2860-7,2868-7			2
11	40123340	HOOK_SHAFT_BASE_SIDE_PLATE	FOR LU-2810,2810-7,2818-7, 2810-7/X73178			1
12	40135474	HOOK_SHAFT_BASE_SIDE_PLATE	FOR LU-2860,2860-7,2868-7			2
13	RC2351018KP	RETAINIG PIN 23.5	FOR LU-2810,2810-7,2818-7, 2810-7/X73178			2
14	RC2351018KP	RETAINIG PIN 23.5	FOR LU-2860,2860-7,2868-7			4
15	RC0740816K0	RETAINING RING	FOR LU-2810,2810-7,2818-7, 2810-7/X73178			1
16	RC0740816K0	RETAINING RING	FOR LU-2860,2860-7,2868-7			2
17	40143084	BUSHING				1
18	40143086	BUSHING	FOR LU-2810,2810-7,2818-7, 2810-7/X73178			1
19	40143086	BUSHING	FOR LU-2860,2860-7,2868-7			2
20	40143082	BUSHING				1
21	SM6040502TP	SCREW M4X0.7 L=5	FOR LU-2810			1
22	SM6040502TP	SCREW M4X0.7 L=5	FOR LU-2810,2810-7,2818-7, 2810-7/X73178			1
23	SM6040502TP	SCREW M4X0.7 L=5	FOR LU-2860-7,2868-7			2
24	SM6040602TP	SCREW M4 L=6	FOR LU-2810,2810-7,2818-7, 2810-7/X73178			2
25	SM6040602TP	SCREW M4 L=6	FOR LU-2860,2860-7,2868-7			4
26	SM6040650TP	SCREW				2
27	SM6061802TP	SCREW M6 L=18	FOR LU-2810,2810-7,2818-7, 2810-7/X73178			2
28	SM6061802TP	SCREW M6 L=18	FOR LU-2860,2860-7,2868-7			4
29	SM8050412TP	SCREW M5 L=4	FOR LU-2810,2810-7,2818-7, 2810-7/X73178			2
30	SM8050412TP	SCREW M5 L=4	FOR LU-2860,2860-7,2868-7			4
31	SM80506A2TP	SCREW M5 L=6				2
32	SM80506A2TP	SCREW M5 L=6	FOR LU-2860,2860-7,2868-7			2
33	SM6051402TP	SCREW M5X0.8 L=14				1
34	SM6051402TP	SCREW M5X0.8 L=14	FOR LU-2860,2860-7,2868-7			1
35	40139043	WASHER	FOR LU-2810,2810-7,2818-7, 2810-7/X73178			2
36	40126372	LOWER_SHAFT_GEAR				1
37	40126372	LOWER_SHAFT_GEAR	FOR LU-2860,2860-7,2868-7			1
38	40112242	HOOK_SHAFT_GEAR	FOR LU-2810,2810-7,2818-7, 2810-7/X73178			1
39	40112242	HOOK_SHAFT_GEAR	FOR LU-2860,2860-7,2868-7			2
40	40143086	BUSHING	FOR LU-2810,2810-7,2818-7, 2810-7/X73178			1
41	40143086	BUSHING	FOR LU-2860,2860-7,2868-7			2
42	40126365	LOWER_SHAFT_1N	FOR LU-2810,2810-7,2818-7, 2810-7/X73178			1
43	40123247	BEARING_COLLAR				1
44	SB120001800	BEARING				1
45	SM8060812TP	SCREW M6 L=8				2
46	40123247	BEARING_COLLAR				1



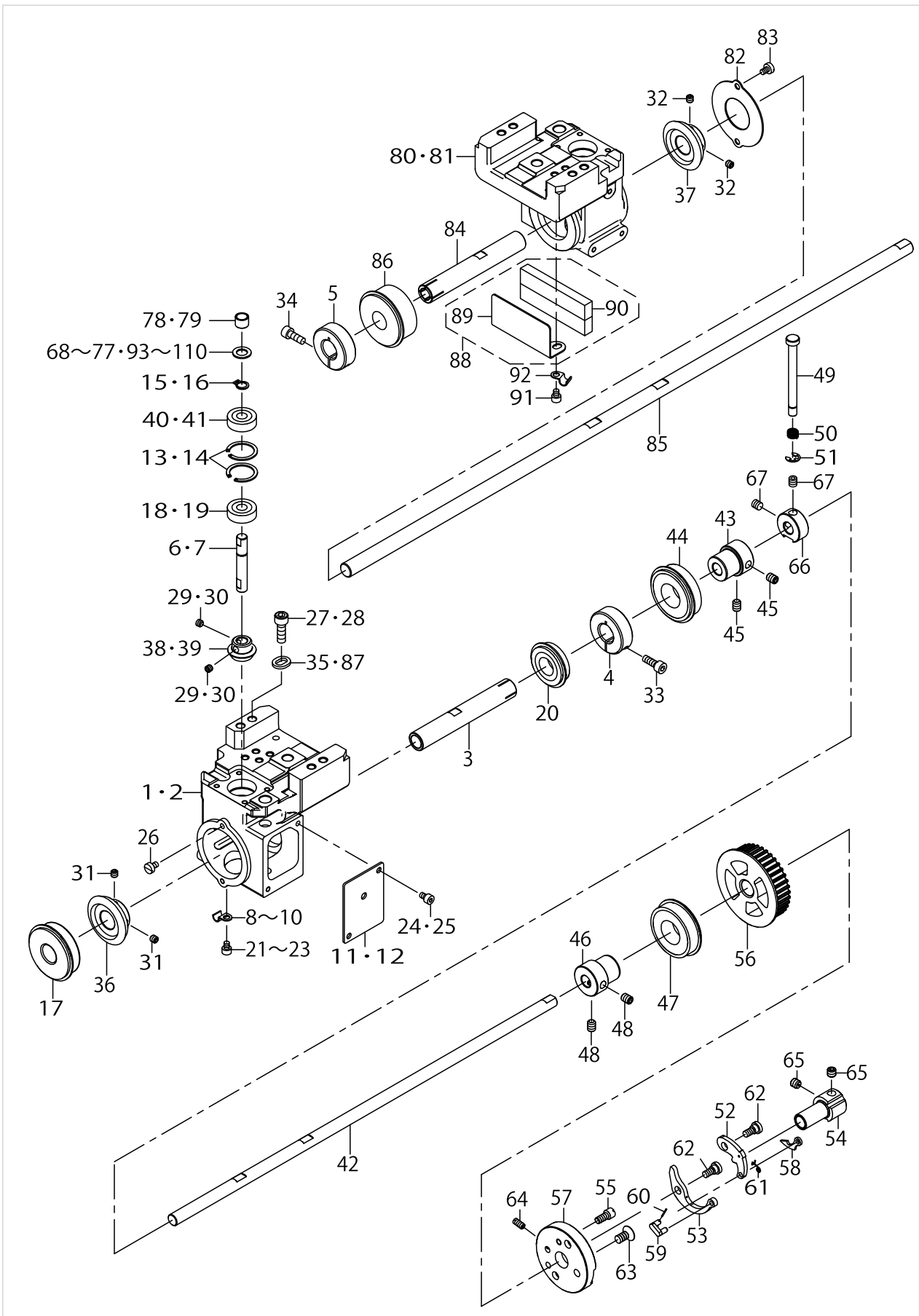
LOWER SHAFT COMPONENTS



LOWER SHAFT COMPONENTS

No.	Parts No.	Parts name	Remarks	Level	Cons	Qty
47	SB120001800	BEARING				1
48	SM8060812TP	SCREW M6 L=8				2
49	40112240	SAFETY_REVERSE_BUTTON				1
50	B1639051000	SPRING				1
51	RE0500000K0	E-RING				1
52	21387600	SAFETY CLUTCH HOOK				1
53	21387709	SAFETY CLUTCH SPRING				1
54	21387808	SAFETY BASE				1
55	21387907	ADJUSTING PIN (1.2)				1
56	40125862	LOWER_SHAFT_SPROCKET				1
57	40126366	CLUTCH_BASE				1
58	B1308055000	SAFETY CLUTCH COUNTER-HOOK				1
59	B1310055000	SAFETY CLUTCH SMALL LINK				1
60	B1314055000	SAFETY CLUTCH SMALL LINK PIN				1
61	40113224	COUNTER HOOK SPRING				1
62	SD0640322TP	HINGE SCREW D=6.35 H=3.2				2
63	SM1061201SN	SCREW M6 L=12				2
64	SS8111010TP	SCREW 11/64-40 L=9.5				1
65	SS8660612TP	SCREW 1/4-40 L=6				2
66	21333901	SAFETY CLUTCH DISC				1
67	SS8660612TP	SCREW 1/4-40 L=6				2
68	B255728000A	WASHER FOR DRIVING ARM	SELECTIVE PARTS FOR LU-2810,- 2810-7,2818-7, 2810-7/X73178			1
69	B255728000B	WASHER	SELECTIVE PARTS FOR LU-2810,- 2810-7,2818-7, 2810-7/X73178			1
70	B255728000C	WASHER	SELECTIVE PARTS FOR LU-2810,- 2810-7,2818-7, 2810-7/X73178			1
71	B255728000D	WASHER D	SELECTIVE PARTS FOR LU-2810,- 2810-7,2818-7, 2810-7/X73178			1
72	B255728000E	WASHER	SELECTIVE PARTS FOR LU-2810,- 2810-7,2818-7, 2810-7/X73178			1
73	B255728000A	WASHER FOR DRIVING ARM	SELECTIVE PARTS FOR LU-2860,2860-7,2868-7			2
74	B255728000B	WASHER	SELECTIVE PARTS FOR LU-2860,2860-7,2868-7			2
75	B255728000C	WASHER	SELECTIVE PARTS FOR LU-2860,2860-7,2868-7			2
76	B255728000D	WASHER D	SELECTIVE PARTS FOR LU-2860,2860-7,2868-7			2
77	B255728000E	WASHER	SELECTIVE PARTS FOR LU-2860,2860-7,2868-7			2
78	40126382	HOOK_SHAFT_COLLAR	FOR LU-2810,2810-7,2818-7, 2810-7/X73178			1
79	40126382	HOOK_SHAFT_COLLAR	FOR LU-2860,2860-7,2868-7			2
80	40125847	HOOK_SHAFT_BASE_LEFT_TC	FOR LU-2860-7,2868-7			1
81	40125848	HOOK_SHAFT_BASE_LEFT_N	FOR LU-2860			1
82	40126455	HOOK_SHAFT_BASE_COVER	FOR LU-2860,2860-7,2868-7			1
83	SM6040650TP	SCREW	FOR LU-2860,2860-7,2868-7			2
84	40126454	LOWER_SHAFT_D	FOR LU-2860,2860-7,2868-7			1
85	40123428	LOWER_SHAFT_2N	FOR LU-2860,2860-7,2868-7			1
86	SB115002200	BEARING	FOR LU-2860,2860-7,2868-7			1
87	40139042	WASHER	FOR LU-2860,2860-7,2868-7			4
88	40135505	OIL_SHIELD_PLATE_ASM.	FOR LU-2860,2860-7,2868-7			1
89	40127345	OIL_SHIELD_PLATE	FOR LU-2860,2860-7,2868-7	*		1
90	40135504	GASKET	FOR LU-2860,2860-7,2868-7	*		2
91	SM6040502TP	SCREW M4X0.7 L=5	FOR LU-2860			3

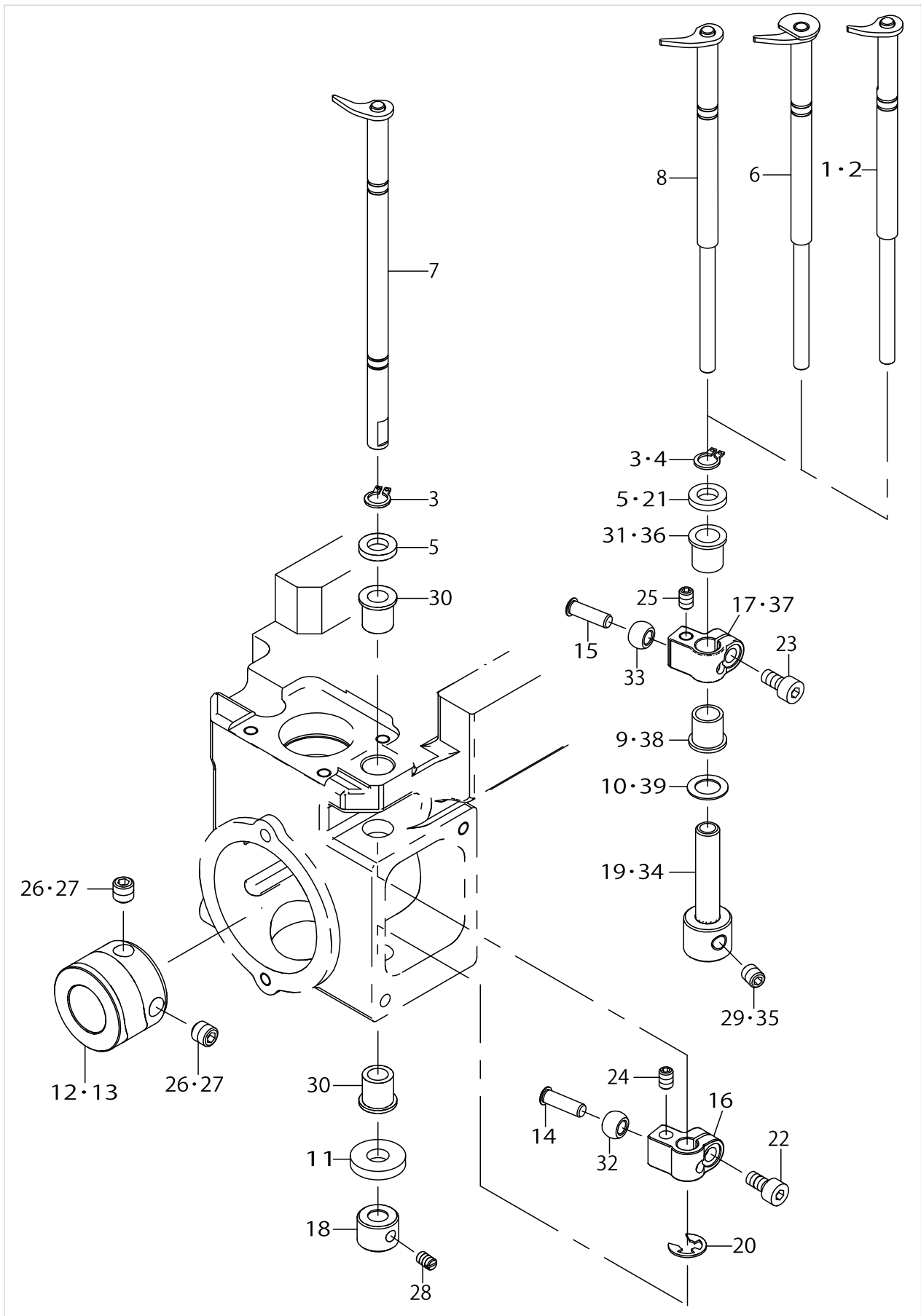
LOWER SHAFT COMPONENTS



LOWER SHAFT COMPONENTS

No.	Parts No.	Parts name	Remarks	Level	Cons	Qty
92	B3538112000	OIL RETURN TUBE HOLDER	FOR LU-2860			5
93	40138418	WASHER_T=1.3	SELECTIVE PARTS FOR LU-2810,- 2810-7,2818-7, 2810-7/X73178			1
94	40138419	WASHER_T=1.4	SELECTIVE PARTS FOR LU-2810,- 2810-7,2818-7, 2810-7/X73178			1
95	40138420	WASHER_T=1.5	SELECTIVE PARTS FOR LU-2810,- 2810-7,2818-7, 2810-7/X73178			1
96	40138421	WASHER_T=1.6	SELECTIVE PARTS FOR LU-2810,- 2810-7,2818-7, 2810-7/X73178			1
97	40138422	WASHER_T=1.7	SELECTIVE PARTS FOR LU-2810,- 2810-7,2818-7, 2810-7/X73178			1
98	40138423	WASHER_T=1.8	SELECTIVE PARTS FOR LU-2810,- 2810-7,2818-7, 2810-7/X73178			1
99	40143185	WASHER	SELECTIVE PARTS FOR LU-2810,- 2810-7,2818-7, 2810-7/X73178			1
100	40143188	WASHER	SELECTIVE PARTS FOR LU-2810,- 2810-7,2818-7, 2810-7/X73178			1
101	40143581	WASHER	SELECTIVE PARTS FOR LU-2810,- 2810-7,2818-7, 2810-7/X73178			1
102	40138418	WASHER_T=1.3	SELECTIVE PARTS FOR LU-2860,2860-7,2868-7			2
103	40138419	WASHER_T=1.4	SELECTIVE PARTS FOR LU-2860,2860-7,2868-7			2
104	40138420	WASHER_T=1.5	SELECTIVE PARTS FOR LU-2860,2860-7,2868-7			2
105	40138421	WASHER_T=1.6	SELECTIVE PARTS FOR LU-2860,2860-7,2868-7			2
106	40138422	WASHER_T=1.7	SELECTIVE PARTS FOR LU-2860,2860-7,2868-7			2
107	40138423	WASHER_T=1.8	SELECTIVE PARTS FOR LU-2860,2860-7,2868-7			2
108	40143185	WASHER	SELECTIVE PARTS FOR LU-2860,2860-7,2868-7			2
109	40143188	WASHER	SELECTIVE PARTS FOR LU-2860,2860-7,2868-7			2
110	40143581	WASHER	SELECTIVE PARTS FOR LU-2860,2860-7,2868-7			2

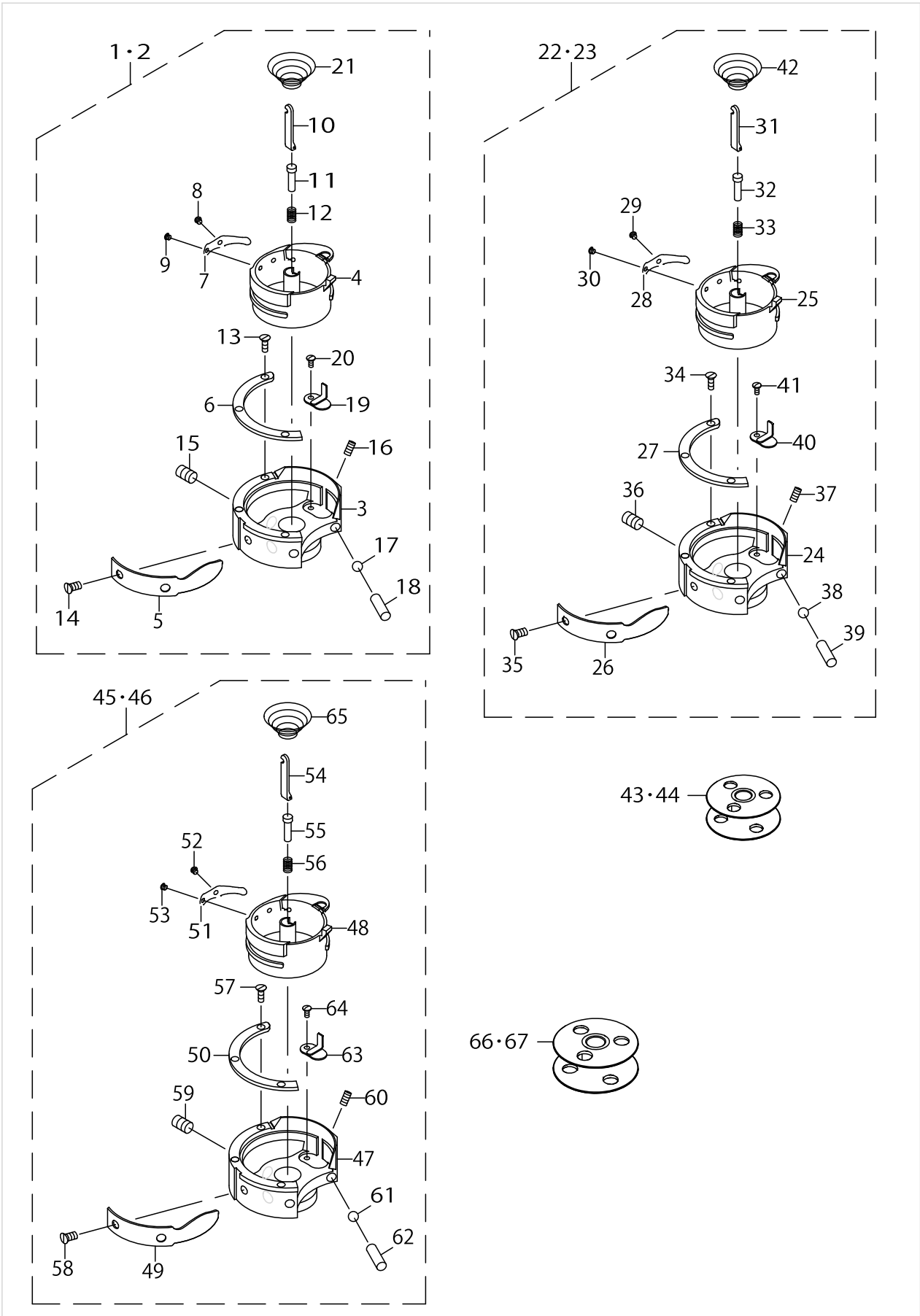
OPENNER COMPONENTS



OPENNER COMPONENTS

No.	Parts No.	Parts name	Remarks	Level	Cons	Qty
1	40147915	OPENER_ASM_XXL	FOR LU-2818-7,2810-7/X73178		☆	1
2	40147915	OPENER_ASM_XXL	FOR LU-2868-7		☆	2
3	RC0560711KP	RETAINING RING	FOR LU-2810,2810-7, 2818-7,2810-7/X73178			1
4	RC0560711KP	RETAINING RING	FOR LU-2860,2860-7, 2868-7			2
5	WP0612066SP	WASHER 6.1X11X2	FOR LU-2810,2810-7, 2818-7,2810-7/X73178			1
6	40137431	OPENER_ASM_L	FOR LU-2860-7		☆	2
7	40126361	OPENER_ASM.	FOR LU-2810,2810-7		☆	1
8	40135500	OPENER_ASM. L	FOR LU-2860		☆	2
9	40135473	METAL	FOR LU-2860,2860-7, 2868-7			2
10	WP0740516SP	WASHER 7.4X11.8X0.5	FOR LU-2860,2860-7, 2868-7			2
11	B3010141H00	WASHER	FOR LU-2810-7			1
12	40126547	OPENER_CAM_L	FOR LU-2860,2860-7, 2868-7			1
13	40126391	OPENER_CAM_R				1
14	40126360	OPENER_CAM_ROLLAR_SHAFT	FOR LU-2810,2810-7, 2818-7,2810-7/X73178			1
15	40126360	OPENER_CAM_ROLLAR_SHAFT	FOR LU-2860,2860-7, 2868-7			2
16	40125859	OPENER_DRIVING_ARM	FOR LU-2810,2810-7			1
17	40135475	OPENER_DRIVING_ARM	FOR LU-2860,2860-7, 2868-7			2
18	40010298	JUNCTION SHAFT COLLAR	FOR LU-2810,2810-7			1
19	40135472	JUNCTION SHAFT COLLAR	FOR LU-2860,2860-7, 2868-7			2
20	RE0500000K0	E-RING	FOR LU-2810,2810-7			1
21	WP0612066SP	WASHER 6.1X11X2	FOR LU-2860,2860-7, 2868-7			2
22	SM6040802TP	SCREW M4X0.7 L=8	FOR LU-2810,2810-7, 2818-7,2810-7/X73178			1
23	SM6040802TP	SCREW M4X0.7 L=8	FOR LU-2860,2860-7, 2868-7			2
24	SM8040612TP	SCREW M4 L=6	FOR LU-2810,2810-7, 2818-7,2810-7/X73178			1
25	SM8040612TP	SCREW M4 L=6	FOR LU-2860,2860-7, 2868-7			2
26	SM8060612TP	SCREW M6 L=6	FOR LU-2810,2810-7, 2818-7,2810-7/X73178			2
27	SM8060612TP	SCREW M6 L=6	FOR LU-2860,2860-7, 2868-7			4
28	SS8090670SP	SCREW 9/64-40 L=5.5	FOR LU-2810,2810-7			1
29	SM8050612TP	SCREW M5X6	FOR LU-2860,2860-7, 2868-7			4
30	40112252	OPENER_METAL	FOR LU-2810,2810-7			2
31	40112252	OPENER_METAL	FOR LU-2860,2860-7, 2868-7			2
32	40126351	OPENER_CAM_ROLLER	FOR LU-2810,2810-7, 2818-7,2810-7/X73178			1
33	40126351	OPENER_CAM_ROLLER	FOR LU-2860,2860-7, 2868-7			2
34	40135472	OPENNER_SLEEVE	FOR LU-2818-7,2810-7/X73178			1
35	SM8050612TP	SCREW M5X6	FOR LU-2818-7,2810-7/X73178			2
36	40112252	OPENER_METAL	FOR LU-2818-7,2810-7/X73178			1
37	40135475	OPENER_DRIVING_ARM	FOR LU-2818-7,2810-7/X73178			1
38	40135473	OPENER_METAL	FOR LU-2818-7,2810-7/X73178			1
39	WP0740516SP	WASHER 7.4X11.8X0.5	FOR LU-2818-7,2810-7/X73178			1

HOOK COMPONENTS

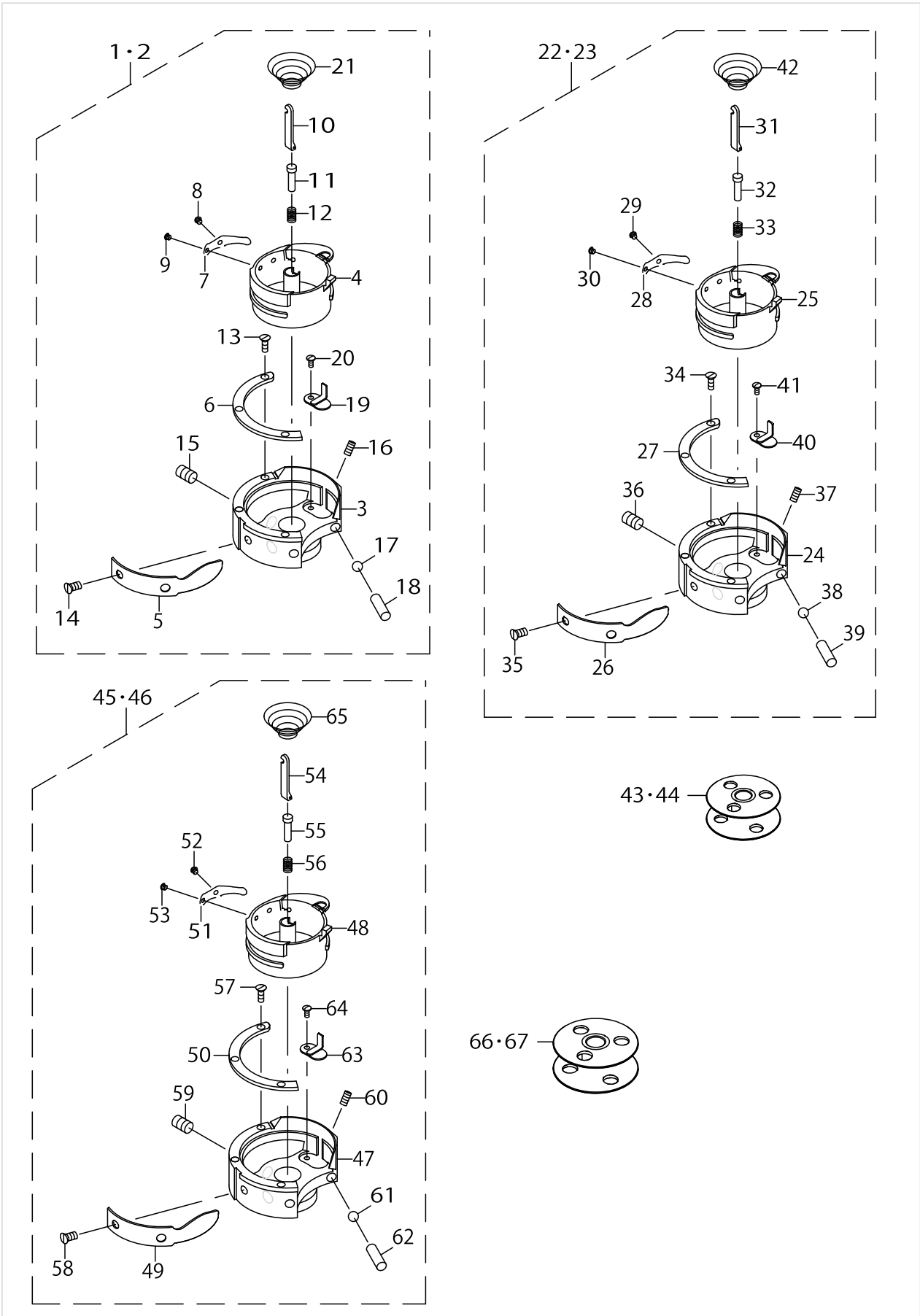


## HOOK COMPONENTS

No.	Parts No.	Parts name	Remarks	Level	Cons	Qty
1	40131956	HOOK_ASM_T	FOR LU-2810-7		☆	1
2	40131956	HOOK_ASM_T	FOR LU-2860-7		☆	2
3	40148039	OUTER_HOOK		*	☆	1
4	40148040	INNER_HOOK		*	☆	1
5	40079896	NEEDLE HOLDER		*	☆	1
6	40148033	INNER_HOOK_HOLDER		*	☆	1
7	40079898	TENTION_SPRING		*	☆	1
8	40079899	ADJUSTING_SCREW		*	☆	1
9	40079900	TENTION_SPRING_SETSCREW		*	☆	1
10	40079901	BOBBIN_PRESSER		*	☆	1
11	40079902	PRESSER LIFTER		*	☆	1
12	40079903	PRESSER LIFTER SPRING		*	☆	1
13	40079904	INNER HOOK HOLDER SETSCREW		*	☆	3
14	40079905	NEEDLE HOLDER SETSCREW		*	☆	2
15	40075542	OUTER_HOOK_SETSCREW		*	☆	2
16	40079909	NEEDLE HOLDER ADJUSTING SCREW		*	☆	1
17	40148037	BALL		*	☆	1
18	40148038	SLIDE_PIN		*	☆	1
19	40075548	OIL_COVER		*	☆	1
20	40075547	OIL_COVER_SETSCREW		*	☆	1
21	40079912	IDLING PRIVENTION SPRING		*	☆	1
22	40126399	HOOK_ASM.	FOR LU-2810		☆	1
23	40126399	HOOK_ASM.	FOR LU-2860		☆	2
24	40148031	OUTER_HOOK		*	☆	1
25	40148032	INNER_HOOK		*	☆	1
26	40079896	NEEDLE HOLDER		*	☆	1
27	40148033	INNER_HOOK_HOLDER		*	☆	1
28	40148034	TENTION_SPRING		*	☆	1
29	40148035	ADJUSTING_SCREW		*	☆	1
30	40148036	TENTION_SPRING_SETSCREW		*	☆	1
31	40079901	BOBBIN PRESSER		*	☆	1
32	40079902	PRESSER LIFTER		*	☆	1
33	40079903	PRESSER LIFTER SPRING		*	☆	1
34	40079904	INNER HOOK HOLDER SETSCREW		*	☆	3
35	40079905	NEEDLE HOLDER SETSCREW		*	☆	2
36	40075542	OUTER_HOOK_SETSCREW		*	☆	2
37	40079909	NEEDLE HOLDER ADJUSTING SCREW		*	☆	1
38	40148037	BALL		*	☆	1
39	40148038	SLIDE_PIN		*	☆	1
40	40075548	OIL_COVER		*	☆	1
41	40075547	OIL_COVER_SETSCREW		*	☆	1
42	40079912	IDLING PRIVENTION SPRING		*	☆	1
43	21334800	ALUMINUM BOBBIN WITH KNURL	FOR LU-2810,2810-7		☆	1
44	21334800	ALUMINUM BOBBIN WITH KNURL	FOR LU-2860,2860-7		☆	2
45	40147985	TRIM HOOK ASM. XXL LP	FOR LU-2818-7,2810-7/X73178		☆	1
46	40147985	TRIM HOOK ASM. XXL LP	FOR LU-2868-7		☆	2
47	40149030	OUTER_HOOK		*	☆	1



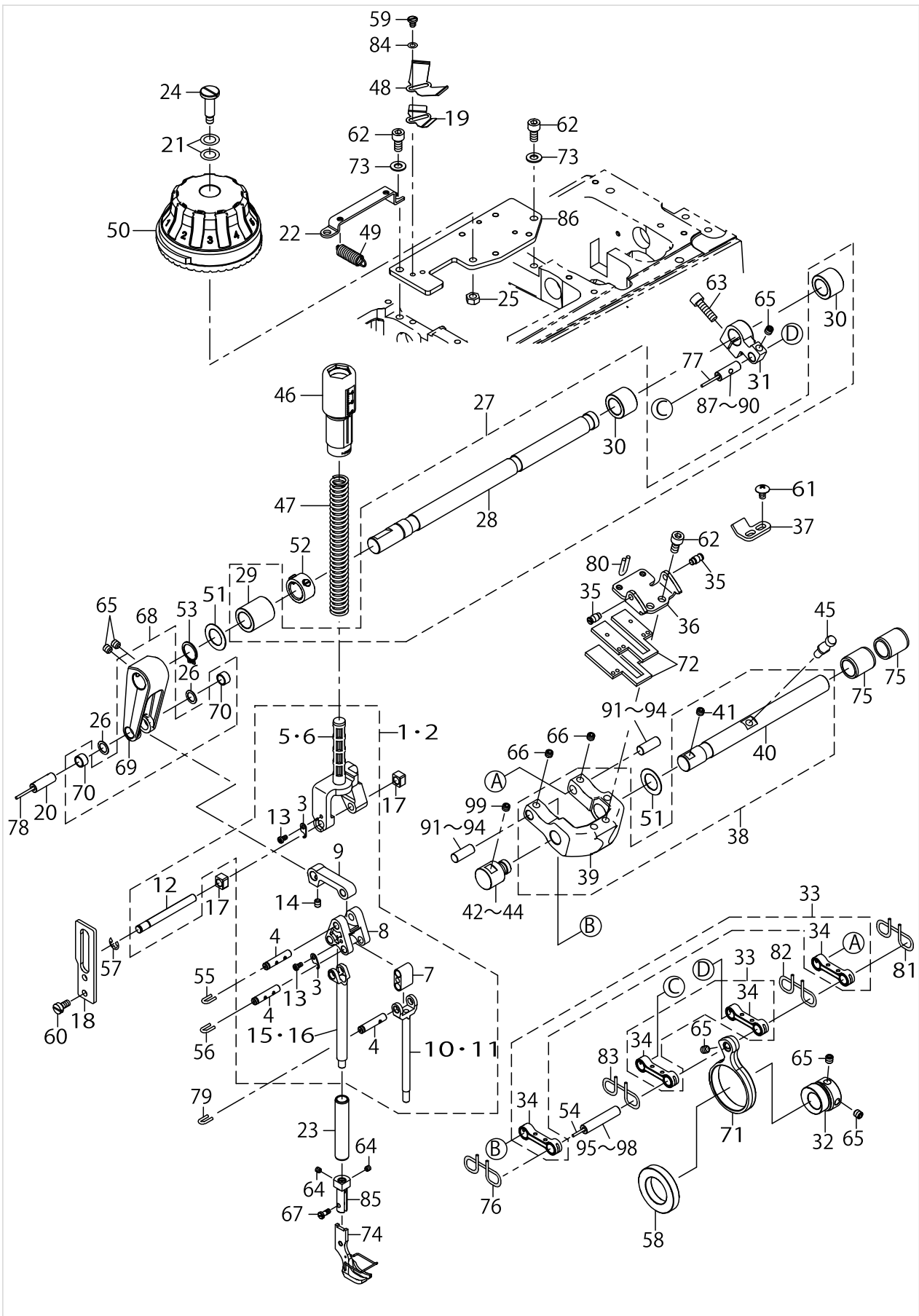
HOOK COMPONENTS



## HOOK COMPONENTS

No.	Parts No.	Parts name	Remarks	Level	Cons	Qty
48	40149038	INNER_HOOK		*	☆	1
49	40149032	NEEDLE HOLDER		*	☆	1
50	40149033	INNER_HOOK HOLDER		*	☆	1
51	40079898	TENTION SPRING		*	☆	1
52	40079899	ADJUSTING SCREW		*	☆	1
53	40079900	TENTION SPRING SETSCREW		*	☆	1
54	40149034	BOBBIN_PRESSER		*	☆	1
55	40079902	PRESSER LIFTER		*	☆	1
56	40079903	PRESSER LIFTER SPRING		*	☆	1
57	40149035	INNER_HOOK HOLDER SETSCREW		*	☆	3
58	40149036	NEEDLE HOLDER SETSCREW		*	☆	2
59	40075542	OUTER_HOOK SETSCREW		*	☆	2
60	40079909	NEEDLE HOLDER ADJUSTING SCREW		*	☆	1
61	40148037	BALL		*	☆	1
62	40149037	SLIDE_PIN		*	☆	1
63	40075547	OIL_COVER SETSCREW		*	☆	1
64	40075548	OIL_COVER		*	☆	1
65	40079912	IDLING PRIVENTION SPRING		*	☆	1
66	40147913	BOBBIN	FOR LU-2818-7,2810-7/X73178		☆	1
67	40147913	BOBBIN	FOR LU-2868-7		☆	2

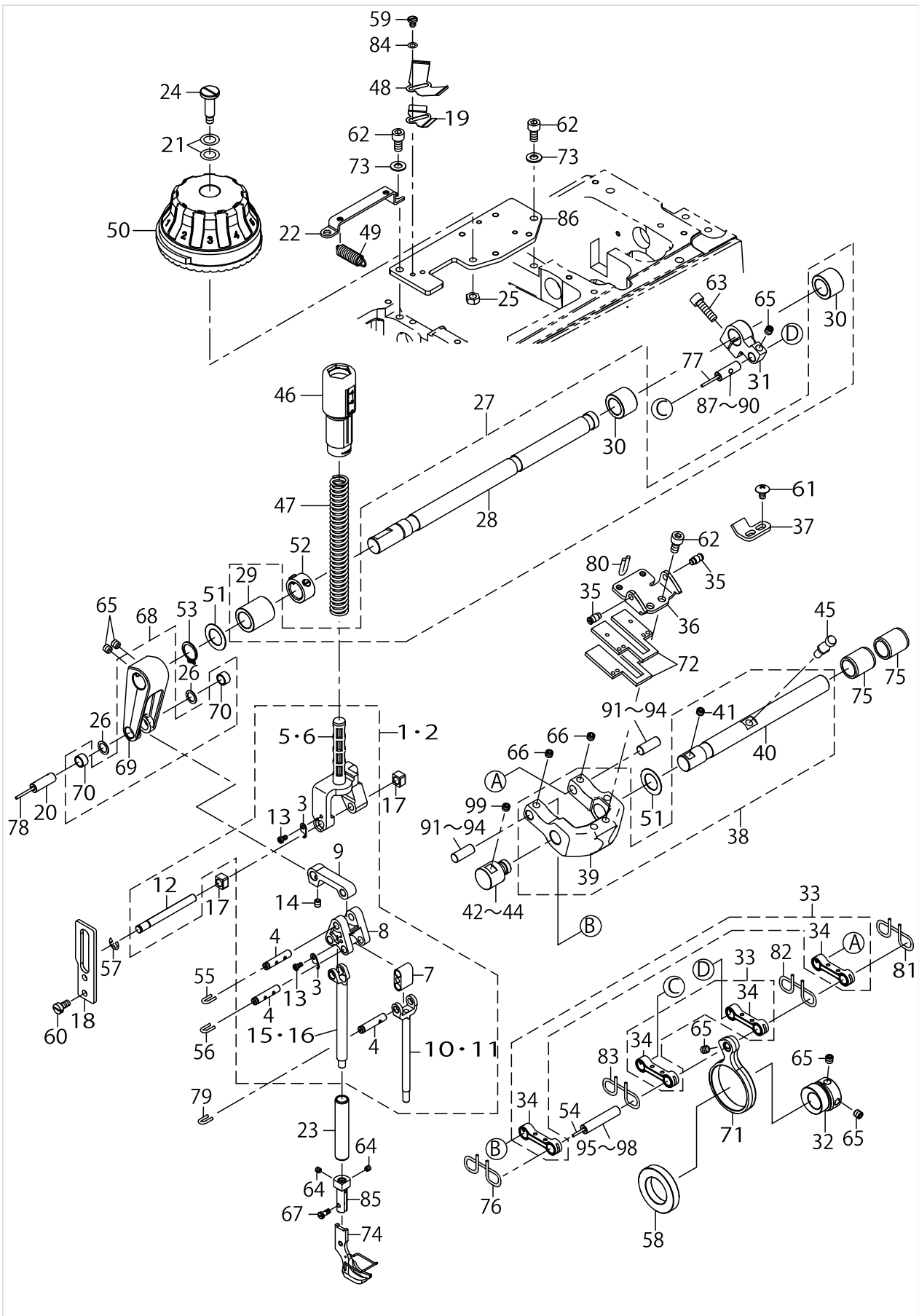
UPPER FEED COMPONENTS



UPPER FEED COMPONENTS

No.	Parts No.	Parts name	Remarks	Level	Cons	Qty
1	40144288	UPPER_FEED F ASM_S	FOR LU-2810S,2810S-7,2860S, 2860S-7			1
2	40144289	UPPER_FEED F ASM_E	FOR LU-2810A,2810A-7,2860A, 2860A-- 7,2818A-7,2868A-7 2810-7/X73178			1
3	10710804	TRIANGLE LEVER SHAFT STOPPER		*		2
4	40112176	CONNECTION_PIN		*		3
5	40144286	SPRING RECEIVING S	FOR LU-2810S,2810S-7,2860S, 2860S-7	*		1
6	40144287	SPRING RECEIVING E	FOR LU-2810A,2810A-7,2860A, 2860A-- 7,2818A-7,2868A-7 2810-7/X73178	*		1
7	40123665	WALKING_BAR_DRIVING_LINK		*		1
8	40125852	TRIANGULAR_LEVER		*		1
9	40125854	UPPER_FEED_LINK_A		*		1
10	40125936	WALKING_BAR_S	FOR LU-2810S,2810S-7,2860S, 2860S-7	*		1
11	40125937	WALKING_BAR_E	FOR LU-2810A,2810A-7,2860A, 2860A-- 7,2818A-7,2868A-7 2810-7/X73178	*		1
12	40126166	PRESSER_BAR_GUIDE_SHAFT		*		1
13	SM4030601SN	SCREW M3X6		*		2
14	SM8050612TP	SCREW M5X6		*		1
15	40125860	PRESSURE_BAR_S_A	FOR LU-2810S,2810S-7,2860S, 2860S-7	*		1
16	40125861	PRESSURE_BAR_E	FOR LU-2810A,2810A-7,2860A, 2860A-- 7,2818A-7,2868A-7 2810-7/X73178	*		1
17	40090058	SLIDE BLOCK				2
18	40125943	PRESSER ROD GUIDE				1
19	40154199	LEAF_SPRING_ADJUSTING_PLATE				1
20	40123634	ROCKING_LINK_PIN				1
21	40023627	PRESSER PLATE SHEET WASHER				2
22	40125867	SPRING_HOOK				1
23	40135014	BUSHING				1
24	SD0802126TP	SHOULDER SCREW D=8 H=21.2				1
25	NM6060001SD	NUT M6				1
26	E2613700000	WASHER				2
27	40123319	UPPER_FEED_SHAFT_ASM.				1
28	40123262	UPPER_FEED_SHAFT		*		1
29	40123320	UPPER_FEED_SHAFT_METAL_F		*		1
30	40123321	UPPER_FEED_SHAFT_METAL_R		*		2
31	40126160	UPPER_FEED_REAR_ARM				1
32	40126390	UPPER_FEED_CAM				1
33	40126338	CONNECTION_LINK_ASM.				2
34	40126223	CONNECTION_LINK		*		2
35	40038494	THREAD_BIND_ARM_SPRING RAC				2
36	40126269	CHANGE_BASE_SPRING_RACK				1
37	40126264	CHANGE_BASE_STOPPER				1
38	40123416	UPPER_FEED_CHANGE_BASE_ASM.				1
39	40123414	UPPER_FEED_CHANGE_BASE		*		1
40	40123555	UF_CHANGE_BASE_SHAFT		*		1
41	SM80608A2TP	SCREW M6 L=8		*		1
42	40145548	UF_CHANGE_BASE_SUPPORT_PIN	SELECTIVE PARTS			1
43	40145549	UF_CHANGE_BASE_SUPPORT_PIN	SELECTIVE PARTS			1
44	40145550	UF_CHANGE_BASE_SUPPORT_PIN	SELECTIVE PARTS			1
45	40126374	VERTICAL_ADJUSTING_PIN				1

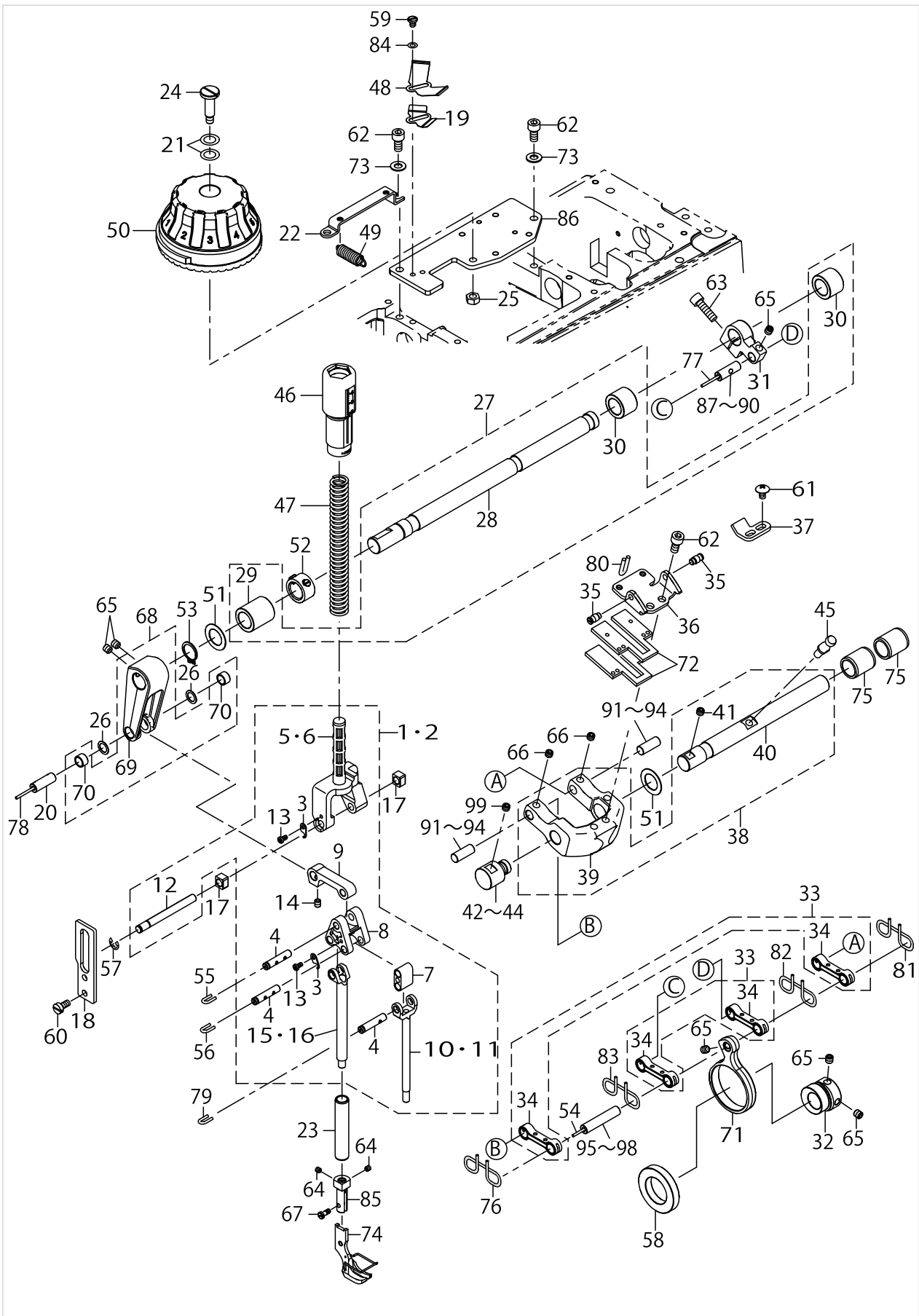
UPPER FEED COMPONENTS



UPPER FEED COMPONENTS

No.	Parts No.	Parts name	Remarks	Level	Cons	Qty
46	40125926	PRESSER_ADJUSTING_SCREW				1
47	40112197	PRESSER_SPRING			☆	1
48	40112199	LEAF_SPRING				1
49	40126400	SPRING				2
50	40125850	VERTICAL_DIAL(VE)				1
51	D1231555B00	WASHER				2
52	22904155	MAIN SHAFT THRUST COLLAR ASM.				1
53	RC0150001KP	RETAINING RING 13.8				1
54	CQ202000000	OIL WICK				0.042
55	CQ252000000	OIL WICK				0.048
56	CQ252000000	OIL WICK				0.048
57	RE0500000K0	E-RING				1
58	SB125000600	BEARING				1
59	SM6040650TP	SCREW				2
60	SM6051000SP	SCREW				2
61	SM0050801SC	SCREW				2
62	SM6061202TP	SCREW M6 L=12				5
63	SM6062002TP	SCREW M6 L=20				1
64	SM8040412TP	SET SCREW M4 L=4	FOR LU-2810S,2810S-7,2860S, 2860S-7			2
65	SM8060612TP	SCREW M6 L=6				6
66	SM8060552TP	SCREW M6 L=5				2
67	SS6090910TP	SCREW 9/64-40 L=9	FOR LU-2810S,2810S-7,2860S, 2860S-7			1
68	40126159	UPPER_FEED_FRONT_ARM_ASM.				1
69	40126157	UPPER_FEED_FRONT_ARM		*		1
70	40126158	UPPER_FEED_FRONT_ARM_BUSH		*		2
71	40125876	UPPER_FEED_CAM_ROD				1
72	40123345	FELT				2
73	WP0651001SC	WASHER				2
74	21350152	PRESSER FOOT ASM.	EXCHANGING GAUGE PARTS (SEE.P.53)			1
75	22913008	FEED ROCKER SHAFT BUSHING				2
76	CQ202000000	OIL WICK				0.25
77	CQ202000000	OIL WICK				0.02
78	CQ202000000	OIL WICK				0.02
79	CQ252000000	OIL WICK				0.048
80	CQ202000000	OIL WICK				0.1
81	CQ202000000	OIL WICK				0.25
82	CQ202000000	OIL WICK				0.25
83	CQ202000000	OIL WICK				0.25
84	WP0430800SD	WASHER M4				4
85	40125877	PRESSURE_BAR_S_B	FOR LU-2810S,2810S-7			1
86	40125868	INSTALLING_PLATE				1
87	40149115	ROCKING_LINK_PIN_A	SELECTIVE PARTS			1
88	40149116	ROCKING_LINK_PIN_B	SELECTIVE PARTS			1
89	40149117	ROCKING_LINK_PIN_C	SELECTIVE PARTS			1
90	40149118	ROCKING_LINK_PIN_D	SELECTIVE PARTS			1
91	40149120	FEED_ADJUSTING_PIN_A	SELECTIVE PARTS			2
92	40149121	FEED_ADJUSTING_PIN_B	SELECTIVE PARTS			2

UPPER FEED COMPONENTS

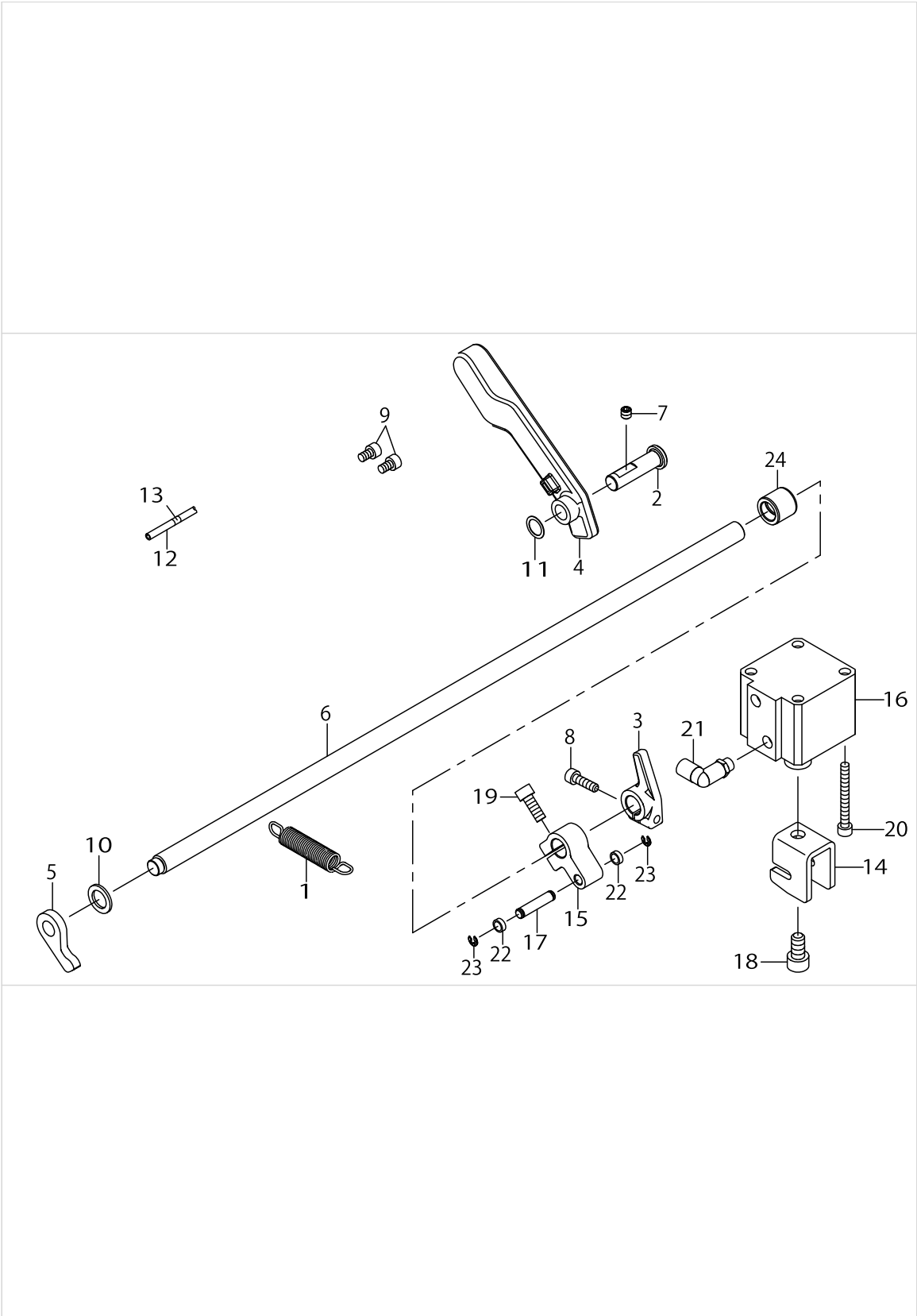


UPPER FEED COMPONENTS

No.	Parts No.	Parts name	Remarks	Level	Cons	Qty
93	40149122	FEED_ADJUSTING_PIN_C	SELECTIVE PARTS			2
94	40149123	FEED_ADJUSTING_PIN_D	SELECTIVE PARTS			2
95	40149125	FEED_ROD_PIN_A	SELECTIVE PARTS			1
96	40149126	FEED_ROD_PIN_B	SELECTIVE PARTS			1
97	40149127	FEED_ROD_PIN_C	SELECTIVE PARTS			1
98	40149128	FEED_ROD_PIN_D	SELECTIVE PARTS			1
99	SM80608A2TP	SCREW M6 L=8				1



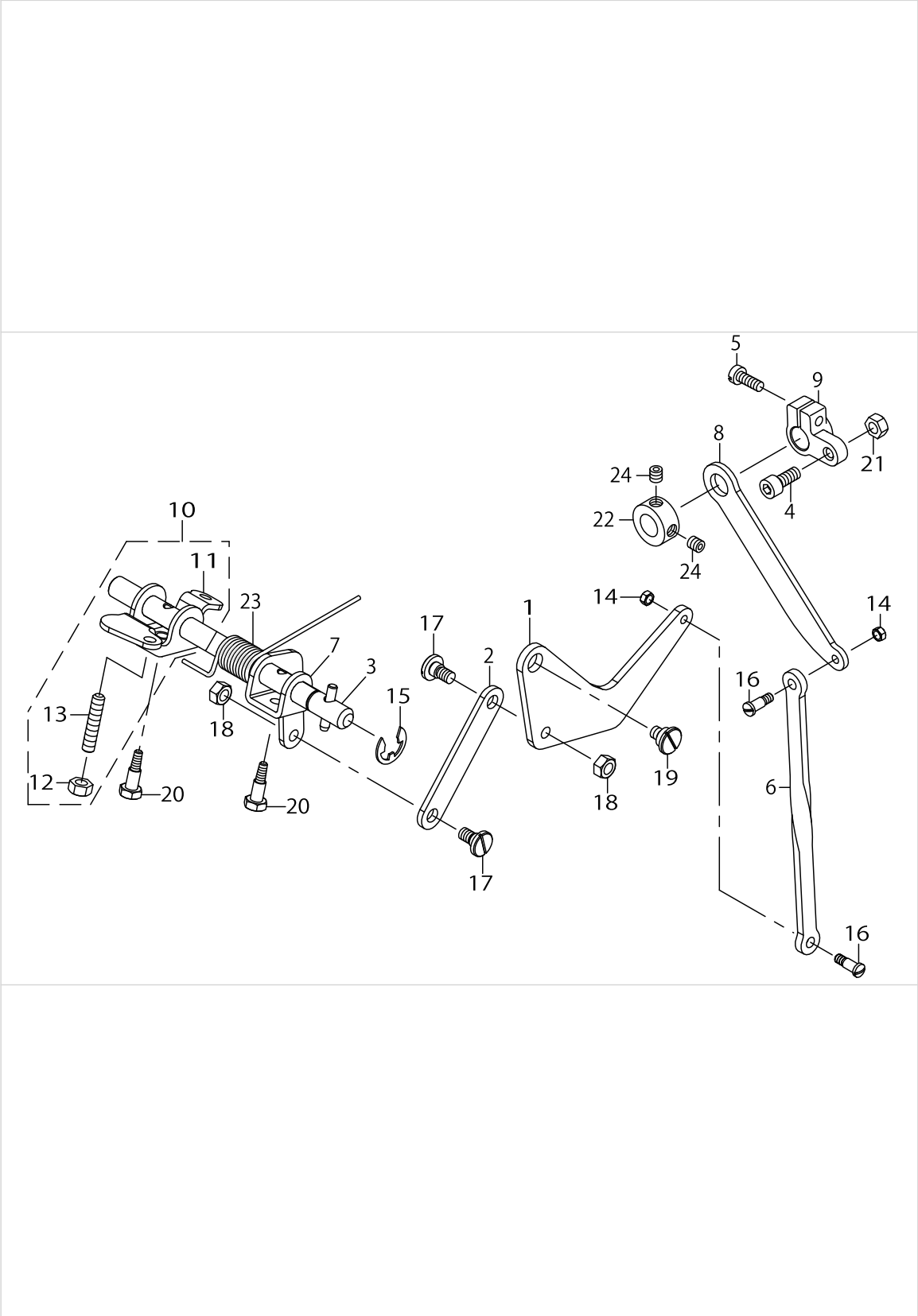
HAND LIFTER & AUTO LIFTER COMPONENTS



HAND LIFTER & AUTO LIFTER COMPONENTS

No.	Parts No.	Parts name	Remarks	Level	Cons	Qty
1	40126367	SPRING				1
2	40006716	THREAD_TRIMMER_SHAFT				1
3	40112184	LIFTER_LEVER_A				1
4	40126150	LIFTER_LEVER_B				1
5	40144283	LIFTER PLATE				1
6	40126364	LIFTER_SHAFT				1
7	SM8060612TP	SCREW M6 L=6				1
8	SM6051802TP	SCREW M5 L=18				1
9	SM6050802TP	SCREW M5X0.8 L=8				2
10	13409107	WASHER				1
11	WZ1052010KP	WAVED WASHER				1
12	BT0400251EB	URETHANE HOSE BLACK	FOR LU-2810-7,2860-7, 2818-7,2868-7			0.62
13	18035303	WIRE MARK (4)	FOR LU-2810-7,2860-7, 2818-7,2868-7			1
14	40112187	KNUCKLE_JOINT_A	FOR LU-2810-7,2860-7, 2818-7,2868-7			1
15	40112188	LIFTING_ARM	FOR LU-2810-7,2860-7, 2818-7,2868-7			1
16	PA400150200	AIR CYLINDER	FOR LU-2810-7,2860-7, 2818-7,2868-7			1
17	22949101	ROLLER FULCRUM SHAFT	FOR LU-2810-7,2860-7, 2818-7,2868-7			1
18	SM6081552TP	SCREW M8 L=15	FOR LU-2810-7,2860-7, 2818-7,2868-7			1
19	SM6061602TP	SCREW M6 L=16	FOR LU-2810-7,2860-7, 2818-7,2868-7			1
20	SM6054502TN	SCREW M5 L=45	FOR LU-2810-7,2860-7, 2818-7,2868-7			4
21	PJ304045102	ELBOW UNION C	FOR LU-2810-7,2860-7, 2818-7,2868-7			1
22	13951009	PRESSER FOOT ROLLER	FOR LU-2810-7,2860-7, 2818-7,2868-7			2
23	RE0400000K0	E-RING 4	FOR LU-2810-7,2860-7, 2818-7,2868-7			2
24	40086018	BUSHING_MAIN_FEED				1

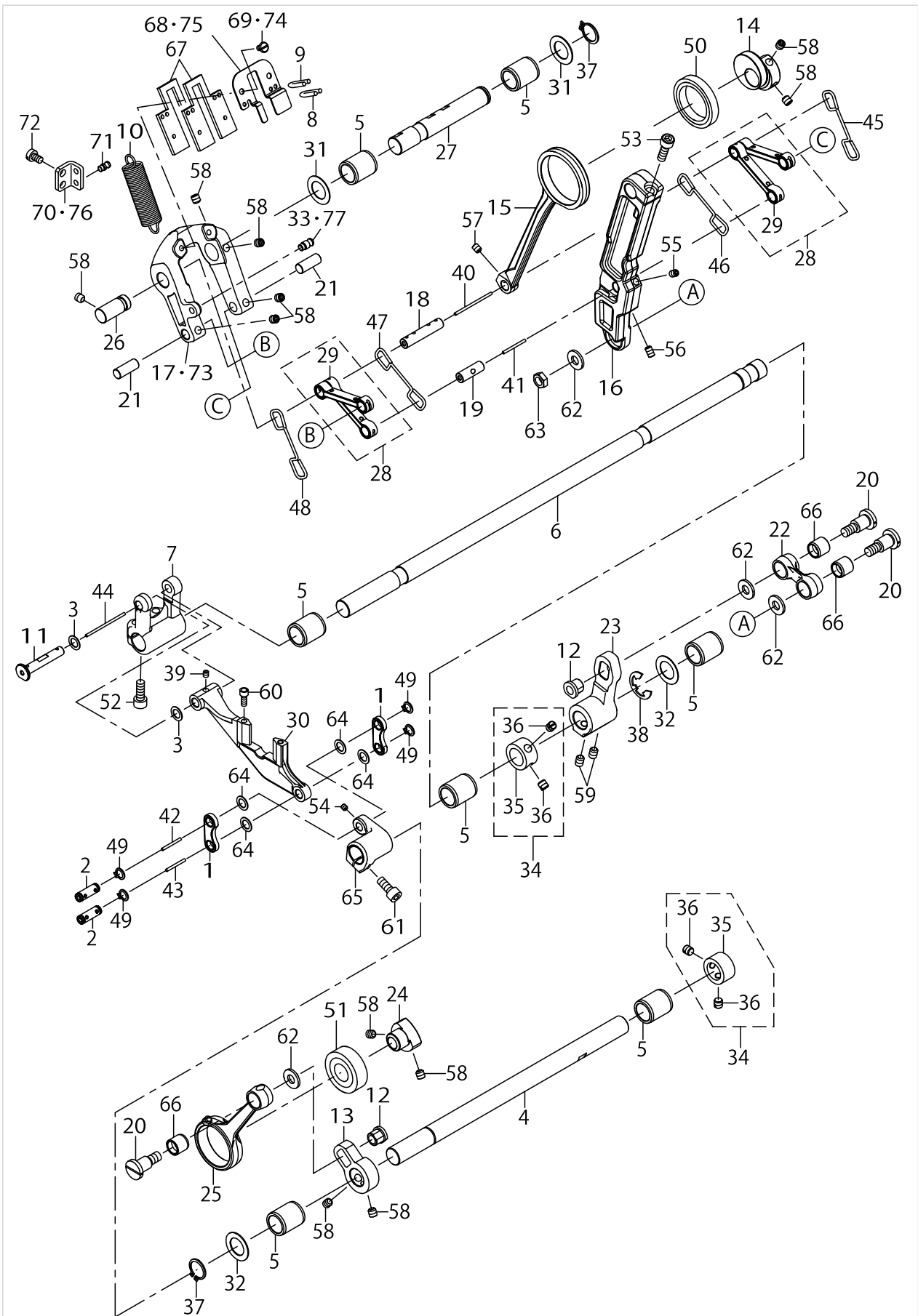
KNEE LIFTER COMPONENTS (FOR LU-2810,2860)



KNEE LIFTER COMPONENTS (FOR LU-2810,2860)

No.	Parts No.	Parts name	Remarks	Level	Cons	Qty
1	40126270	KNEE_PAD_LINK_A				1
2	40126271	KNEE_PAD_LINK_B				1
3	40126356	KNEE_LIFTER_SHAFT_ASM.				1
4	SM6051202TP	SCREW M5X0.8 L=12				1
5	SM6051400SP	SCREW				1
6	40126272	KNEE_PAD_LINK_D				1
7	40126273	KNEE_PAD_DRIVING_ARM				1
8	40126274	KNEE_PAD_LINK_C				1
9	40112127	BACKWARD_FEED_CONNECTING_ARM				1
10	22932156	KNEE LIFTER ROTATION ARM ASM.				1
11	22932107	KNEE LIFTING ROTATING ARM		*		1
12	NM6060001SE	NUT M6		*		2
13	SM8063012TR	SCREW M6 L=30		*		2
14	NS6110310SP	NUT 11/64-40				2
15	RE1000000K0	E-RING 10				1
16	SD0500803TP	HINGE SCREW D=5 H=8				2
17	40082078	SHOULDER SCREW D=7.24 H=3.3				2
18	NM6060001SE	NUT M6				2
19	SD1000406TP	SHOULDER SCREW				1
20	SM9061853SR	SCREW M6 L=17.5				2
21	NM6050001SD	NUT M5X0.8				1
22	CS1201171TP	THRUST COLLAR D=12 W=11				1
23	23639503	SPRING				1
24	SM8060612TP	SCREW M6 L=6				2

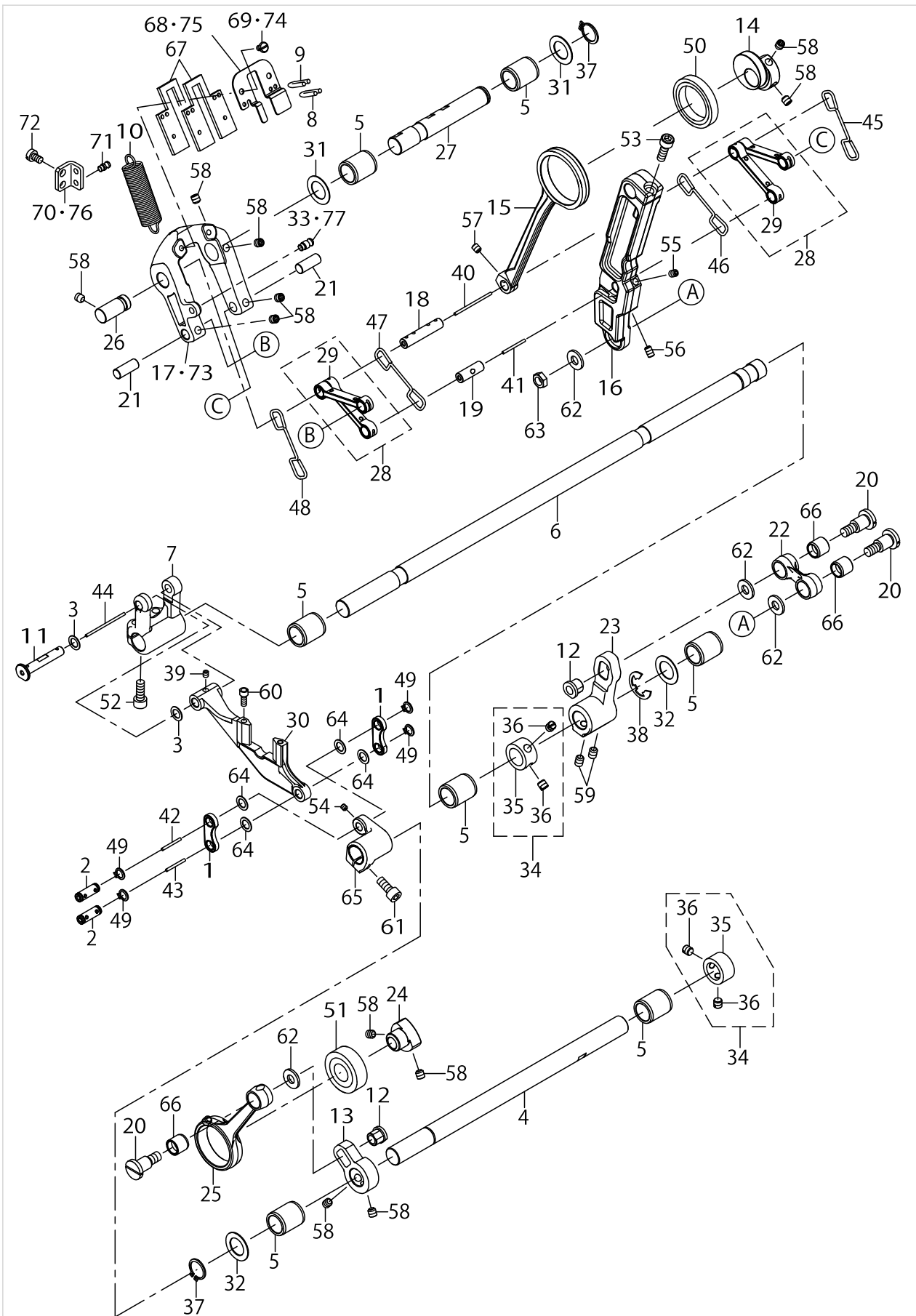
LOWER FEED COMPONENTS



LOWER FEED COMPONENTS

No.	Parts No.	Parts name	Remarks	Level	Cons	Qty
1	40123666	VERTICAL_LINK				2
2	40143626	VERTICAL FEED LINK SHAFT				2
3	WP0740516SP	WASHER 7.4X11.8X0.5				2
4	40123667	VERTICAL_FEED_LINK				1
5	22913008	FEED ROCKER SHAFT BUSHING				7
6	40126386	HORIZONTAL_FEED_SHAFT				1
7	40126161	FEED_BASE_ARM				1
8	CQ202000000	OIL WICK				0.05
9	CQ202000000	OIL WICK				0.05
10	40126401	SPRING_B				1
11	40112098	FEED_BASE_SHAFT				1
12	40126357	VERTICAL_FEED_ROD_NUT				2
13	40125843	VERTICAL_FEED_ARM_REAR				1
14	40123626	HORIZONTAL_FEED_CAM				1
15	40126151	HORIZONTAL_FEED_ROD				1
16	40123547	NEEDLE_BAR_ROCKING_LINK				1
17	40123629	HORIZONTAL_FEED_CHANGE_BASE	FOR LU-2810,2860,2810-7 2860-7,2810-7/X73178			1
18	40112118	FEED_ROD_PIN				1
19	40123634	ROCKING_LINK_PIN				1
20	SD1021251SP	HINGE SCREW D=10.20 H=12.5				3
21	40126375	FEED_ADJUSTING_PIN_A				2
22	40125856	CONNECTION_LINK				1
23	40123668	HORIZONTAL_FEED_ARM				1
24	40123627	VERTICAL_FEED_CAM				1
25	40125857	VERTICAL_FEED_ROD				1
26	40123639	HF_CHANGE_BASE_SUPPORT_PIN				1
27	40123332	CHANGE_BASE_SHAFT				1
28	40126339	CONNECTION_LINK_ASM.				2
29	40123252	CONNECTION_LINK		*		2
30	40112293	FEED_BASE				1
31	D1231555B00	WASHER				2
32	B125578100A	WASHER A				2
33	40038494	THREAD_BIND_ARM_SPRING RAC	FOR LU-2810,2860,2810-7 2860-7,2810-7/X73178			1
34	22904155	MAIN SHAFT THRUST COLLAR ASM.				2
35	22904106	MAIN SHAFT THRUST COLLAR		*		1
36	SS8660610TP	SCREW 1/4-40 L=6		*		2
37	RC0150001KP	RETAINING RING 13.8				2
38	RE1200000K0	E-RING 12				1
39	SS8110422TP	SCREW 11/64-40 L=4				1
40	CQ202000000	OIL WICK				0.042
41	CQ202000000	OIL WICK				0.02
42	CQ202000000	OIL WICK				0.024
43	CQ202000000	OIL WICK				0.024
44	CQ202000000	OIL WICK				0.04
45	CQ202000000	OIL WICK				0.3
46	CQ202000000	OIL WICK				0.3

LOWER FEED COMPONENTS

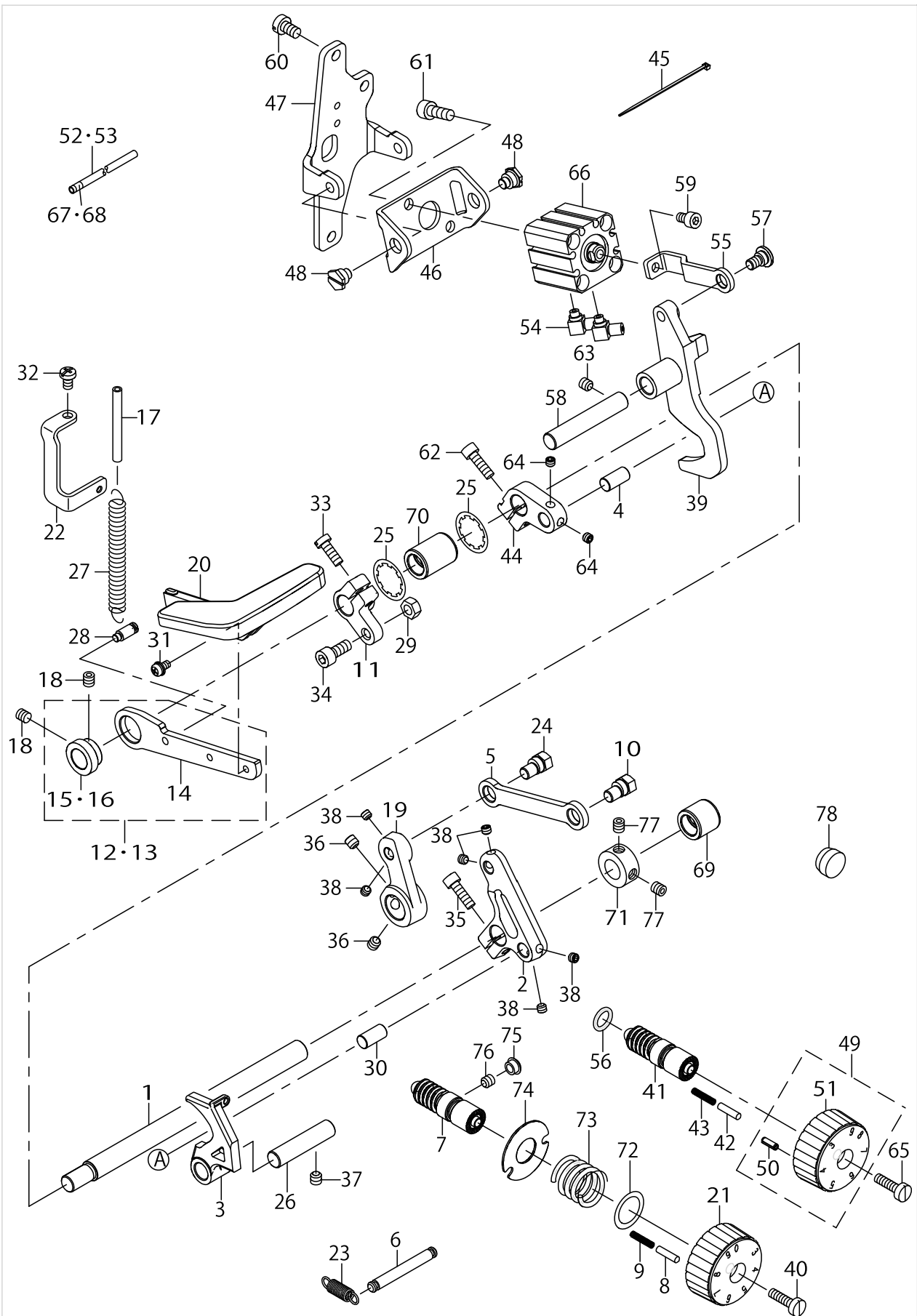


LOWER FEED COMPONENTS

No.	Parts No.	Parts name	Remarks	Level	Cons	Qty
47	CQ202000000	OIL WICK				0.3
48	CQ202000000	OIL WICK				0.3
49	RC0650811KP	RETAINING RING				4
50	40143087	BEARING				1
51	40143085	BEARING				1
52	SM6061602TP	SCREW M6 L=16				2
53	SM6061802TP	SCREW M6 L=18				1
54	SM8040412TP	SET SCREW M4 L=4				1
55	SM8050842TP	SETSCREW				1
56	SM8050812TP	SCREW M5X8				1
57	SM8050612TP	SCREW M5X6				1
58	SM8060612TP	SCREW M6 L=6				11
59	SM8060812TP	SCREW M6 L=8				2
60	SS6111052TP	SCREW				2
61	SM6061402TP	SCREW M6 L=14				1
62	26018705	WASHER				4
63	NS6680410SP	NUT 9/32-28				1
64	WP0740516SP	WASHER 7.4X11.8X0.5				4
65	40125935	VERTICAL_FEED_ARM_FRONT				1
66	40126359	VERTICAL_FEED_ROD_BUSH				3
67	40123345	FELT				2
68	40123346	FELT HOLDER	FOR LU-2810,2860,2810-7 2860-7,2810-7/X73178			1
69	SM6040650TP	SCREW	FOR LU-2810,2860,2810-7 2860-7,2810-7/X73178			2
70	12288908	THROAT PLATE BASE B SUPPORT	FOR LU-2810,2860,2810-7 2860-7,2810-7/X73178			1
71	26017400	SPRING RAC				1
72	SM6050800SP	SCREW M5 L=8				2
73	40137553	HORIZONTAL_FEED_CHANGE_BASE	FOR LU-2818-7,2868-7			1
74	SM6040650TP	SCREW	FOR LU-2818-7,2868-7			1
75	40137554	FELE HOLDER	FOR LU-2818-7,2868-7			1
76	40137779	SUPPORT_PLATE	FOR LU-2818-7,2868-7			1
77	40137780	SPRING_RAC	FOR LU-2818-7,2868-7			1



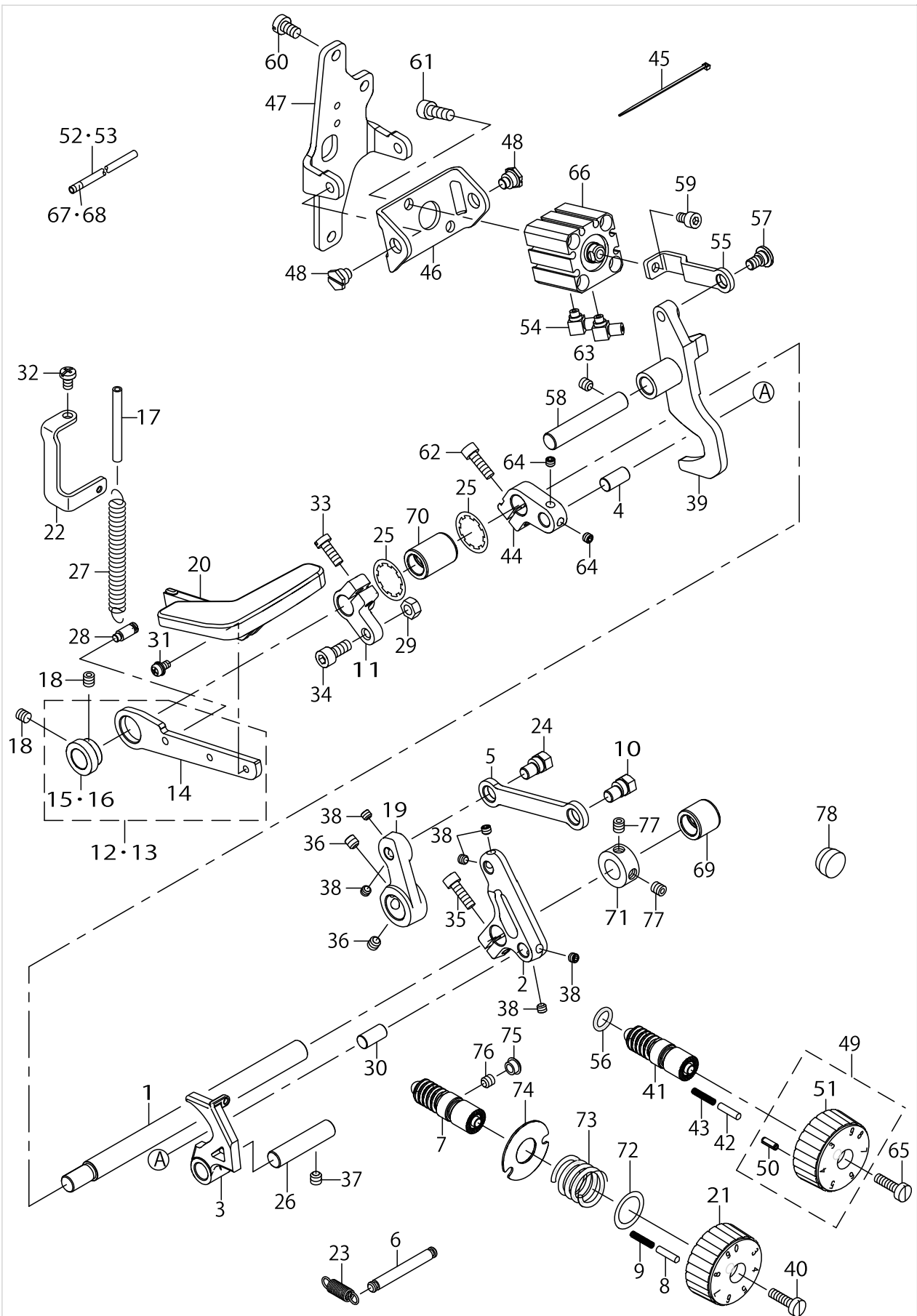
FEED ADJUST COMPONENTS (FOR LU-2810,2860,2810-7,2860-7,2810-7/X73178)



FEED ADJUST COMPONENTS (FOR LU-2810,2860,2810-7,2860-7,2810-7/X73178)

No.	Parts No.	Parts name	Remarks	Level	Cons	Qty
1	40126363	BACKWARD_FEED_LEVER_SHAFT				1
2	40125934	FEED_ADJUSTING_PIN HOLDER_A				1
3	40125919	ADJUSTING_BASE_A				1
4	40131887	FEED_ADJUSTING_PIN	FOR LU-2810-7,2860-7			1
5	40126561	FEED_ADJUSTING_LINK				1
6	13518501	SPRING SUSPENSION				1
7	22911804	FEED REGULATOR SCREW			☆	1
8	40122887	FEED REGULATOR PIN				1
9	22912109	FEED REGULATOR PIN SPRING				1
10	23613409	FEED ADJUSTING PIN				1
11	40112127	BACKWARD_FEED_CONNECTING_ARM	FOR LU-2810-7,2860-7, 2810-7/X73178			1
12	40112128	REVERSE_FEED_LEVER_PLATE_ASM.	FOR LU-2810-7,2860-7, 2810-7/X73178			1
13	40126362	REVERSE_FEED_LEVER_ASM.	FOR LU-2810,2860			1
14	40112281	REVERSE_FEED_REVER_PLATE		*		1
15	40112282	REVERSE_FEED_REVER_BUSH	FOR LU-2810-7,2860-7, 2810-7/X73178	*		1
16	40126555	REVERSE_FEED_LEVER_BUSH	FOR LU-2810,2860	*		1
17	23630007	TUBE	FOR LU-2810-7,2860-7, 2810-7/X73178			0.08
18	SM8060612TP	SCREW M6 L=6	FOR LU-2810,2860			2
19	40123628	FEED_ADJUSTING_ARM				1
20	40126116	REVERSE_FEED_LEVER_DRAFT				1
21	40142199	FEED_DIAL			☆	1
22	40125864	REVERSE_FEED_LEVER_SPRING_HOOK	FOR LU-2810-7,2860-7, 2810-7/X73178			1
23	10721306	CHANGE SPRING				1
24	23613409	FEED ADJUSTING PIN				1
25	WT1780011KP	TOOTHED WASHER 18				2
26	40033825	HEAD_FIXED_SHAFT				1
27	D2629M1YC0F	SPRING	FOR LU-2810-7,2860-7, 2810-7/X73178			1
28	26229302	SUSPENSION SCREW	FOR LU-2810-7,2860-7, 2810-7/X73178			1
29	NM6050001SD	NUT M5X0.8	FOR LU-2810-7,2860-7, 2810-7/X73178			1
30	40134959	FEED_ADJUSTING_PIN				1
31	SL4040881SC	SCREW M4 L=8				2
32	SM4050855SP	SCREW	FOR LU-2810-7,2860-7			1
33	SM6051400SP	SCREW	FOR LU-2810-7,2860-7			1
34	SM6051202TP	SCREW M5X0.8 L=12	FOR LU-2810-7,2860-7			1
35	SM6051602TP	SCREW M5X0.8 L=16				1
36	SM8060612TP	SCREW M6 L=6				2
37	SM8060612TP	SCREW M6 L=6				1
38	SM8050412TP	SCREW M5 L=4				6
39	40125920	ADJUSTING_BASE_B	FOR LU-2810-7,2860-7			1
40	SS6121860SP	SCREW 3/16-28 L=18				1
41	22911804	FEED REGULATOR SCREW	FOR LU-2810-7,2860-7		☆	1
42	22912000	FEED REGULATOR PIN	FOR LU-2810-7,2860-7			1
43	22912109	FEED REGULATOR PIN SPRING	FOR LU-2810-7,2860-7			1
44	40125858	FEED_ADJUSTING_PIN HOLDER_B	FOR LU-2810-7,2860-7			1
45	EA9500B0100	CABLE BAND				1
46	40126642	CYLINDER_BASE_A	FOR LU-2810-7,2860-7			1
47	40126643	CYLINDER_BASE_B	FOR LU-2810-7,2860-7			1

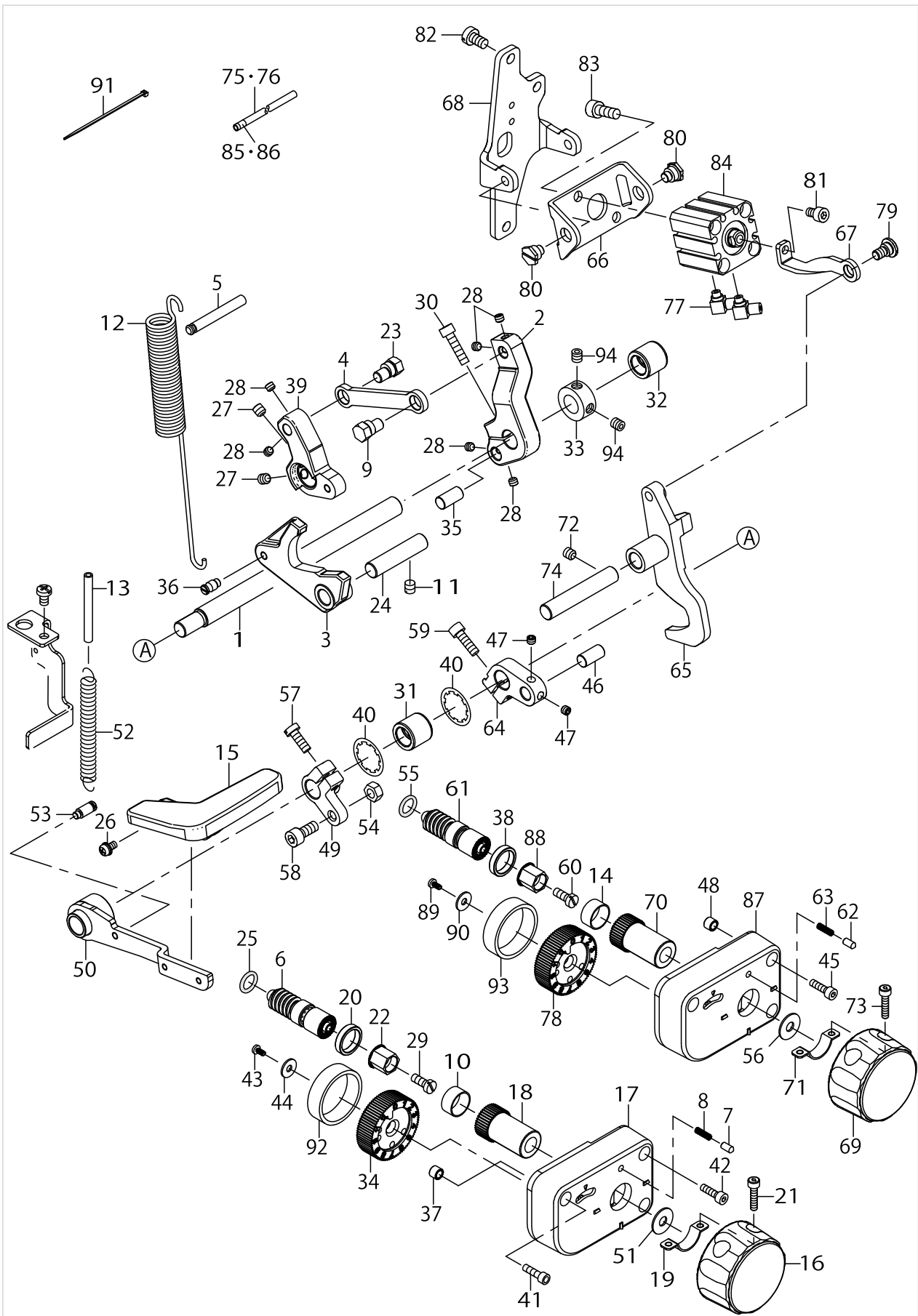
FEED ADJUST COMPONENTS (FOR LU-2810,2860,2810-7,2860-7,2810-7/X73178)



FEED ADJUST COMPONENTS (FOR LU-2810,2860,2810-7,2860-7,2810-7/X73178)

No.	Parts No.	Parts name	Remarks	Level	Cons	Qty
48	SD0900426TP	SHOULDER SCREW D=9 H=4.2	FOR LU-2810-7,2860-7			2
49	40142200	FEED_DIAL(A) ASM.	FOR LU-2810-7,2860-7			1
50	PS0350102KR	SPRING PIN 3.5X10	FOR LU-2810-7,2860-7	*		1
51	40142201	FEED_DIAL(A)		*	☆	1
52	BT0400251EB	URETHANE HOSE BLACK	FOR LU-2810-7,2860-7			0.36
53	BT0400251EB	URETHANE HOSE BLACK	FOR LU-2810-7,2860-7			0.36
54	PJ046052503	HOSE ELBOW	FOR LU-2810-7,2860-7			2
55	40112267	CYLINDER_JOINT	FOR LU-2810-7,2860-7			1
56	RO092270200	RUBBER RING	FOR LU-2810-7,2860-7		☆	1
57	SD0800346TP	SHOULDER SCREW	FOR LU-2810-7,2860-7			1
58	40077931	PRESSURE_LOWERING_SHAFT	FOR LU-2810-7,2860-7			1
59	SM6050802TP	SCREW M5X0.8 L=8	FOR LU-2810-7,2860-7			1
60	SM6061010TP	SCREW M6 L=10	FOR LU-2810-7,2860-7			3
61	SM6061602TP	SCREW M6 L=16	FOR LU-2810-7,2860-7			2
62	SM6051602TP	SCREW M5X0.8 L=16	FOR LU-2810-7,2860-7			1
63	SM8060612TP	SCREW M6 L=6	FOR LU-2810-7,2860-7			1
64	SM8050412TP	SCREW M5 L=4	FOR LU-2810-7,2860-7			2
65	SS6121860SP	SCREW 3/16-28 L=18	FOR LU-2810-7,2860-7			1
66	PA200150900	AIR CYLINDER	FOR LU-2810-7,2860-7			1
67	18035006	CABLE MARK NO.1	FOR LU-2810-7,2860-7			1
68	18035105	WIRE MARK (2)	FOR LU-2810-7,2860-7			1
69	40143624	BUSHING MAIN FEED				1
70	13424502	BUSHING FRONT				1
71	CS1201171TP	THRUST COLLAR D=12 W=11				1
72	WP1751616SD	WASHER 17.5X24X1.6				1
73	23534506	FEED DIAL SPRING				1
74	40090101	FEED_DIAL_STOPPER_WASHER_B				1
75	TA0750404R0	PLUG D=7.5 L=3.5				1
76	SM8060612TP	SCREW M6 L=6				1
77	SM8060612TP	SCREW M6 L=6				2
78	TA1550902R0	PLUG	LU-2810-7/X73178			1

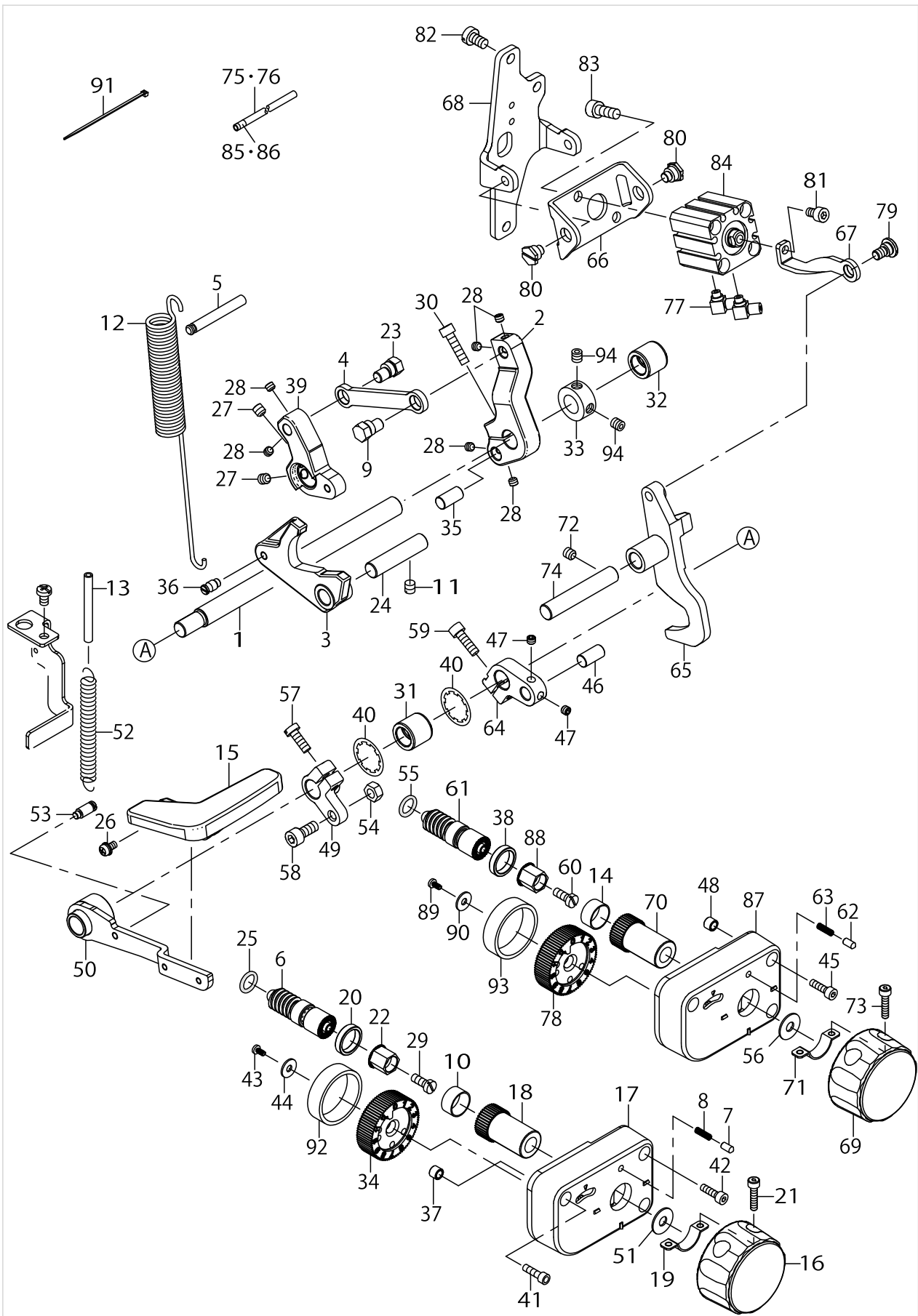
FEED ADJUST COMPONENTS (FOR LU-2818-7,2868-7)



FEED ADJUST COMPONENTS (FOR LU-2818-7,2868-7)

No.	Parts No.	Parts name	Remarks	Level	Cons	Qty
1	40126363	BACKWARD_FEED_LEVER_SHAFT				1
2	40129986	FEED_ADJUSTING_PIN_HOLDER_A				1
3	40129984	ADJUSTING_BASE_A				1
4	40129988	FEED_ADJUSTING_LINK				1
5	40134528	SPRING SUSPENSION				1
6	22911804	FEED REGULATOR SCREW			☆	1
7	10715704	VERTICAL DIAL PIN			☆	1
8	B152652700G	SPRING				1
9	23613409	FEED ADJUSTING PIN				1
10	40137613	DIAL PLATE BUSH				1
11	SM8060612TP	SCREW M6 L=6				1
12	40134105	FEED_ADJUSTING_BASE_SPRING				1
13	23630007	TUBE				0.08
14	40137613	DIAL PLATE BUSH				1
15	40126116	REVERSE_FEED_LEVER_DRAFT				1
16	40130004	FEED_DIAL_KNOB			☆	1
17	40130001	FEED_DIAL_COVER_A				1
18	40130003	FEED_DIAL_GEAR				1
19	40130005	FEED_DIAL_SUPPORT_PLATE				1
20	40133826	SPACER				1
21	SM6041802TP	SCREW M4 L=18				2
22	40130006	HEXA_SHAFT				1
23	23613409	FEED ADJUSTING PIN				1
24	40033825	HEAD_FIXED_SHAFT				1
25	RO092270200	O-RING			☆	1
26	SL4040881SC	SCREW M4 L=8				2
27	SM8060612TP	SCREW M6 L=6				2
28	SM8050412TP	SCREW M5 L=4				6
29	SS6121210SP	SCREW 3/16-28 L=12				1
30	SM6052002TP	SCREW M5X0.8 L=20				1
31	13424502	BUSHING FRONT				1
32	40143624	BUSHING MAIN FEED				1
33	CS1201171TP	THRUST COLLAR D=12 W=11				1
34	40132118	FEED_DIAL_PLATE_A				1
35	40134959	FEED ADJUSTING PIN A				1
36	40137780	SPRING RAC				1
37	B4122804000	ROLLER				1
38	40133826	SPACER				1
39	40130412	FEED_ADJUSTING_ARM_BT				1
40	WT1780011KP	TOOTHED WASHER 18				2
41	SM6041402TP	SCREW M4 L=14				1
42	SM6040802TP	SCREW M4X0.7 L=8				2
43	40130820	SCREW				1
44	WP0431005SP	PLAIN WASHER				1
45	SM6041402TP	SCREW M4 L=14				3
46	40131887	FEED_ADJUSTING_PIN				1
47	SM8050412TP	SCREW M5 L=4				2

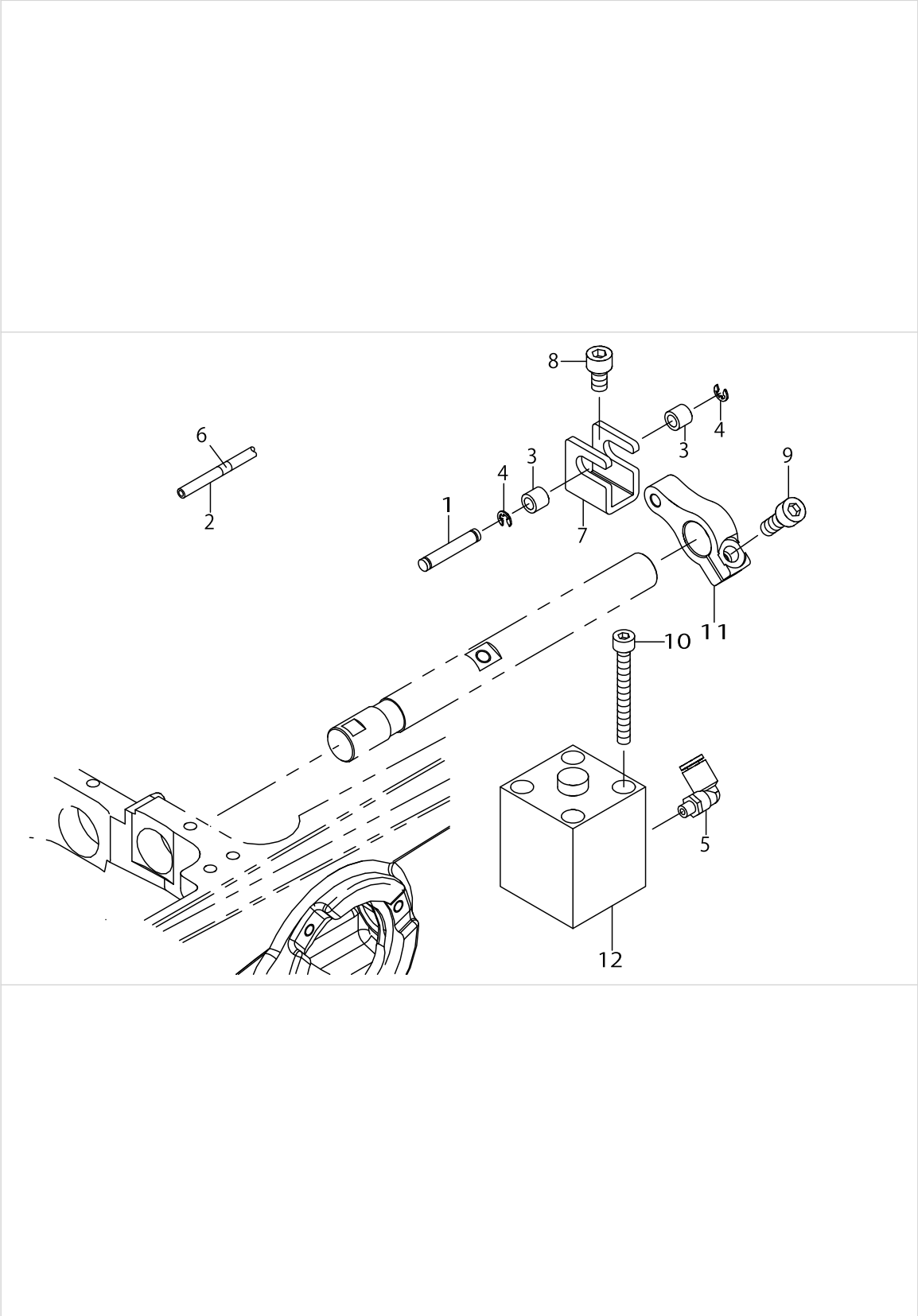
FEED ADJUST COMPONENTS (FOR LU-2818-7,2868-7)



FEED ADJUST COMPONENTS (FOR LU-2818-7,2868-7)

No.	Parts No.	Parts name	Remarks	Level	Cons	Qty
48	B4122804000	ROLLER				3
49	40112127	BACKWARD_FEED_CONNECTING_ARM				1
50	40129991	REVERSE_FEED_LEVER_ASM				1
51	WP0621036SP	WASHER				4
52	D2629M1YC0F	SPRING				1
53	26229302	SUSPENSION SCREW				1
54	NM6050001SD	NUT M5X0.8 TYPE1				1
55	RO092270200	O-RING			☆	1
56	WP0621036SP	WASHER				4
57	SM6051400SP	SCREW				1
58	SM6051202TP	SCREW M5X0.8 L=12				1
59	SM6051602TP	SCREW M5X0.8 L=16				1
60	SS6121210SP	SCREW 3/16-28 L=12				1
61	22911804	FEED REGULATOR SCREW			☆	1
62	10715704	VERTICAL DIAL PIN			☆	1
63	B152652700G	SPRING				1
64	40125858	FEED_ADJUSTING_PIN HOLDER_B				1
65	40129985	ADJUSTING_BASE_B				1
66	40126642	CYLINDER_BASE_A				1
67	40129999	CYLINDER_JOINT_B				1
68	40126643	CYLINDER_BASE_B				1
69	40130004	FEED_DIAL_KNOB			☆	1
70	40130003	FEED_DIAL_GEAR				1
71	40130005	FEED_DIAL_SUPPORT_PLATE				1
72	SM8060612TP	SCREW M6 L=6				1
73	SM6041802TP	SCREW M4 L=18				2
74	40077931	PRESSURE_LOWERING_SHAFT				1
75	BT0400251EB	URETHANE TUBE BLACK 4X2.5				0.36
76	BT0400251EB	URETHANE TUBE BLACK 4X2.5				0.36
77	PJ046052503	HOSE ELBOW				2
78	40132118	FEED_DIAL_PLATE_A				1
79	SD0800346TP	SHOULDER SCREW D=8 H=3.4				1
80	SD0900426TP	SHOULDER SCREW D=9 H=4.2				2
81	SM6050802TP	SCREW M5X0.8 L=8				1
82	SM6061010TP	SCREW M6 L=10				3
83	SM6061602TP	SCREW M6 L=16				2
84	PA200150900	AIR CYLINDER				1
85	18035006	CABLE MARK NO.1				1
86	18035105	WIRE MARK (2)				1
87	40130819	FEED_DIAL_COVER_B				1
88	40130006	HEXA_SHAFT				1
89	40130820	SCREW				2
90	WP0431005SP	PLAIN WASHER				2
91	EA9500B0100	CABLE BAND				2
92	40137612	DIAL PLATE BUSH				1
93	40137612	DIAL PLATE BUSH				1
94	SM8060612TP	SCREW M6 L=6				2

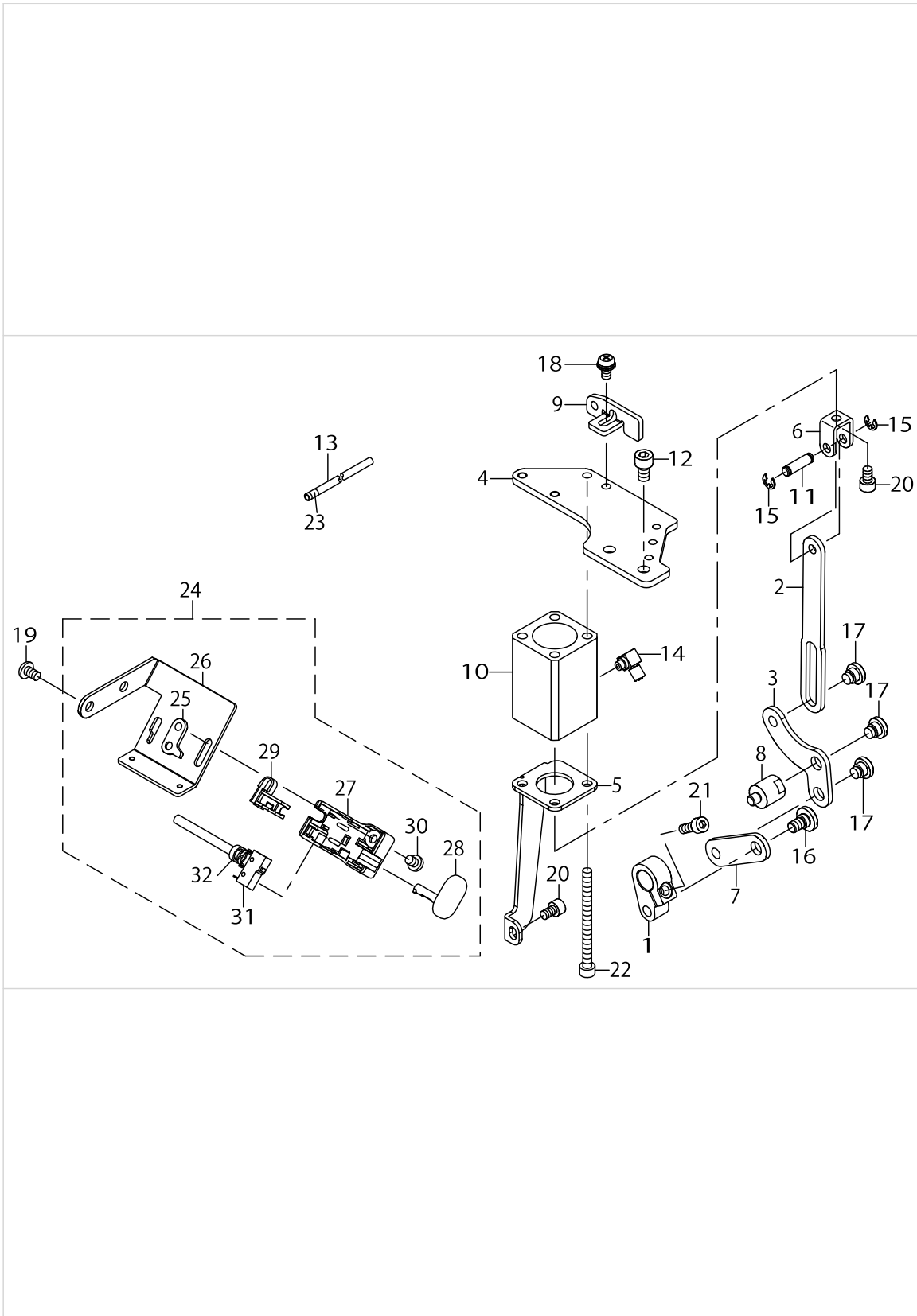




## DL COMPONENTS (FOR LU-2810-7,2860-7,2818-7,2868-7,2810-7/X73178)

No.	Parts No.	Parts name	Remarks	Level	Cons	Qty
1	B1504210000	CONNECTING SHAFT				1
2	BT0400251EB	URETHANE HOSE BLACK				0.58
3	B3031141H00	CONNECTING STUD				2
4	RE0320000K0	E-RING 3.2				2
5	PJ304040504	ELBOW UNION				1
6	18035501	WIRE MARK (6)				1
7	40112191	KNUCKLE_JOINT_B				1
8	SM6061002TP	SCREW M6 L=10				1
9	SM6061602TP	SCREW M6 L=16				1
10	SM6054502TP	SCREW M5X0.8 L=45				2
11	40112192	TERTICAL_CYLINDER_ARM				1
12	PA250250900	AIR CYLINDER				1

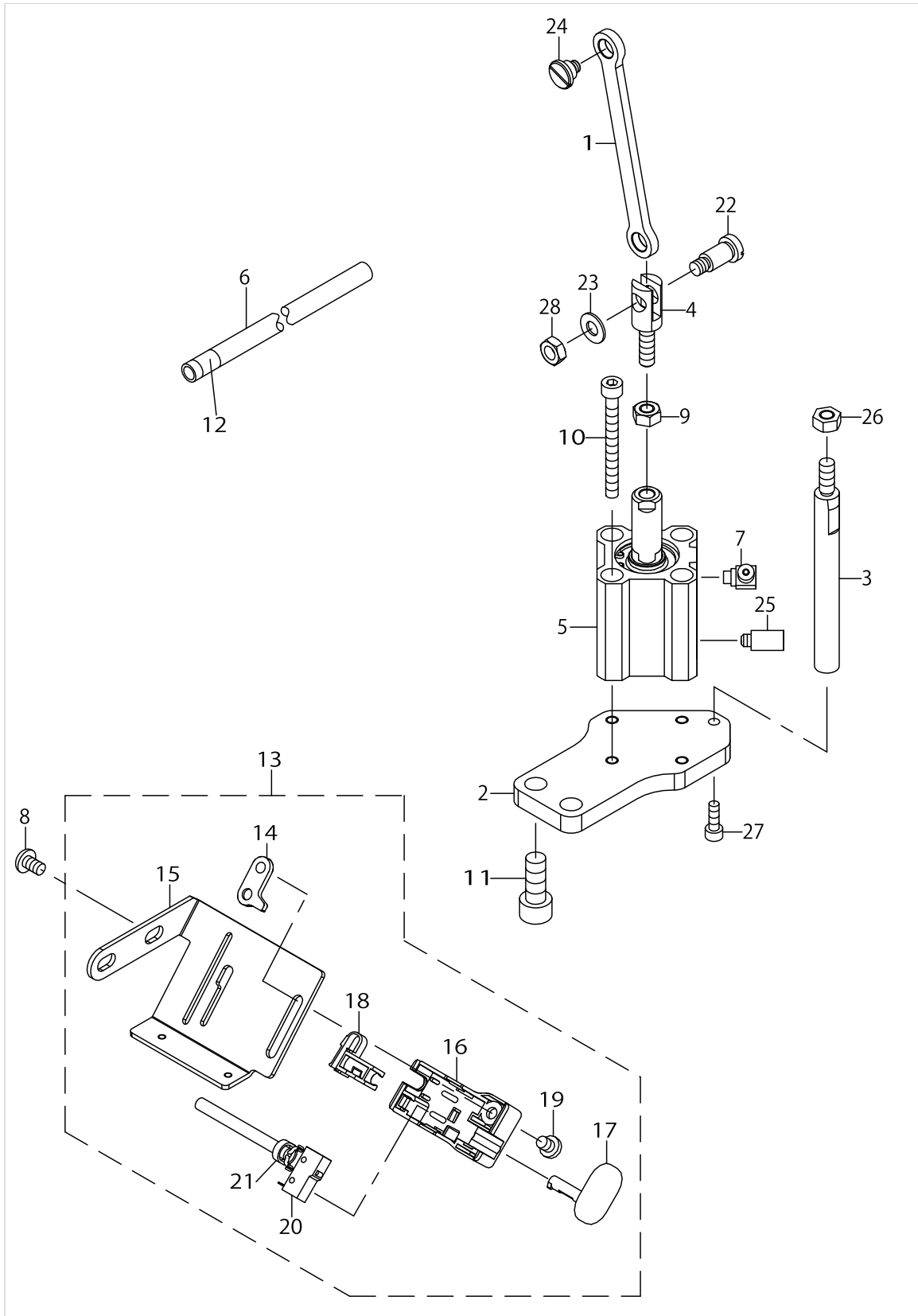
AUTO BT COMPONENTS (FOR LU-2810-7,2860-7,2810-7/X73178)



AUTO BT COMPONENTS (FOR LU-2810-7,2860-7,2810-7/X73178)

No.	Parts No.	Parts name	Remarks	Level	Cons	Qty
1	40112136	BT_ARM				1
2	40112137	LINK_A				1
3	40112138	LINK_B				1
4	40125872	CYLINDER_BRACKET				1
5	40112140	CYLINDER_STAY				1
6	40112149	CYLINDER_KNUCKLE				1
7	40112150	LINK_C				1
8	40112151	BT_LINK_STUD				1
9	40112228	MOTOR_COVER_FITTING_PLATE				1
10	40142208	AIR CYLINDER				1
11	D2464555B00	LINK DRIVING MAGNET PIN				1
12	SM6061002TP	SCREW M6 L=10				2
13	BT0400251EB	URETHANE HOSE BLACK				0.27
14	PJ046052503	HOSE ELBOW				1
15	RE0400000K0	E-RING 4				2
16	SD0800321TH	HINGE SCREW D=8 H=3.2				1
17	SD0800341SP	HINGE SCREW D=8 H=3.4				3
18	SL4051091SC	SCREW M5X0.8 L=10				1
19	SM4050855SP	SCREW				2
20	SM6050802TP	SCREW M5X0.8 L=8				2
21	SM6051402TP	SCREW M5X0.8 L=14				1
22	SM6056552TP	SCREW				3
23	18035709	WIRE MARK (8)				1
24	40112288	TB_SWITCH_ASSY				1
25	23632102	REVERSE FEED SWITCH BASE GUIDE		*		1
26	40112213	TB_SW_MOUNTING_PLATE		*		1
27	23631708	REVERSE FEED SWITCH COVER		*		1
28	23631807	REVERSE FEED SWITCH SHAFT		*		1
29	23631906	REVERSE FEED SWITCH SUPPORT		*		1
30	SS7110740TP	SCREW 11/64-40 L=7		*		1
31	40126129	REVERSE FEED CORD ASM.		*		1
32	EA9500B0100	CABLE BAND		*		1

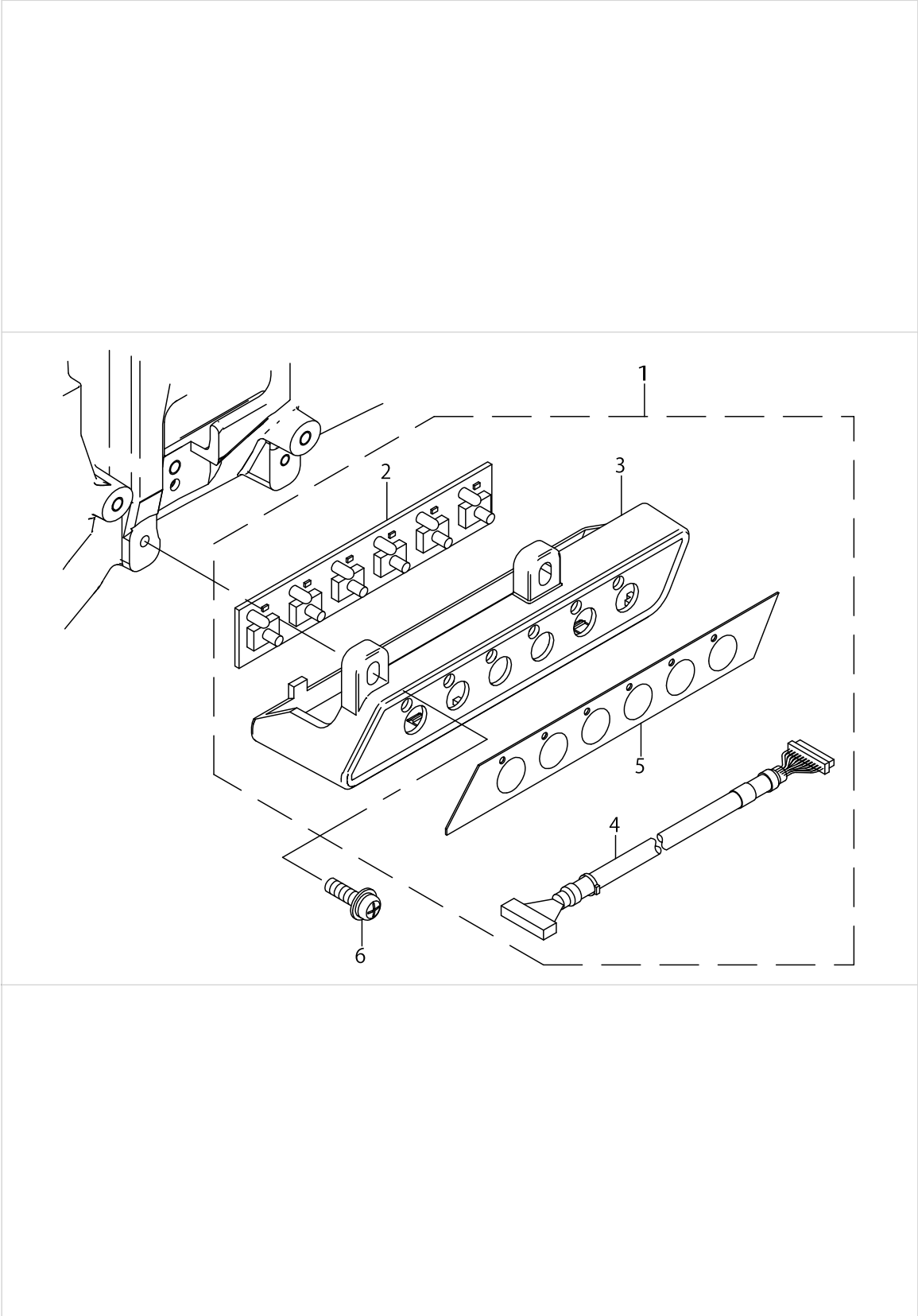
AUTO BT COMPONENTS (FOR LU-2818-7,2868-7)



AUTO BT COMPONENTS (FOR LU-2818-7,2868-7)

No.	Parts No.	Parts name	Remarks	Level	Cons	Qty
1	40147946	BT_LINK				1
2	40147947	BT_CYLINDER_PLATE				1
3	40147948	BT_PLATE_STUD				1
4	40052254	CYLINDER KNUCKLE JOINT				1
5	PA250250900	AIR CYLINDER				1
6	BT0400251EB	URETHANE TUBE BLACK 4X2.5				0.3
7	PJ046052503	HOSE ELBOW				1
8	SM4050855SP	SCREW				2
9	NM6060001CP	NUT M6X1 TYPE1				1
10	SM6055002TP	SCREW M5 L=50				4
11	SM6082002TP	SCREW M8 L=20				2
12	18035907	WIRE MARK (10)				1
13	40112288	TB_SWITCH_ASSY				1
14	23632102	REVERSE FEED SWITCH BASE GUIDE		*		1
15	40112213	TB_SW_MOUNTING_PLATE		*		1
16	23631708	REVERSE FEED SWITCH COVER		*		1
17	23631807	REVERSE FEED SWITCH SHAFT		*		1
18	23631906	REVERSE FEED SWITCH SUPPORT		*		1
19	SS7110740TP	SCREW 11/64-40 L=7		*		1
20	40126129	REVERSE FEED CORD ASM		*		1
21	EA9500B0100	CABLE BAND		*		1
22	SD0791271SP	HINGE SCREW D=7.94 H=12.7				1
23	WP0621016SD	WASHER 6.2X13X1				1
24	SD0800406TP	SHOULDER SCREW D=8 H=4				1
25	PX050501000	SILENCER				1
26	NM6060001SC	NUT M6				1
27	SM6041202TP	SCREW M4X0.7 L=12				1
28	NS6150430SP	NUT 15/64-28				1

6-RANGE SW COMPONENTS (FOR LU-2810-7,2860-7,2818-7,2868-7,2810-7/X73178)

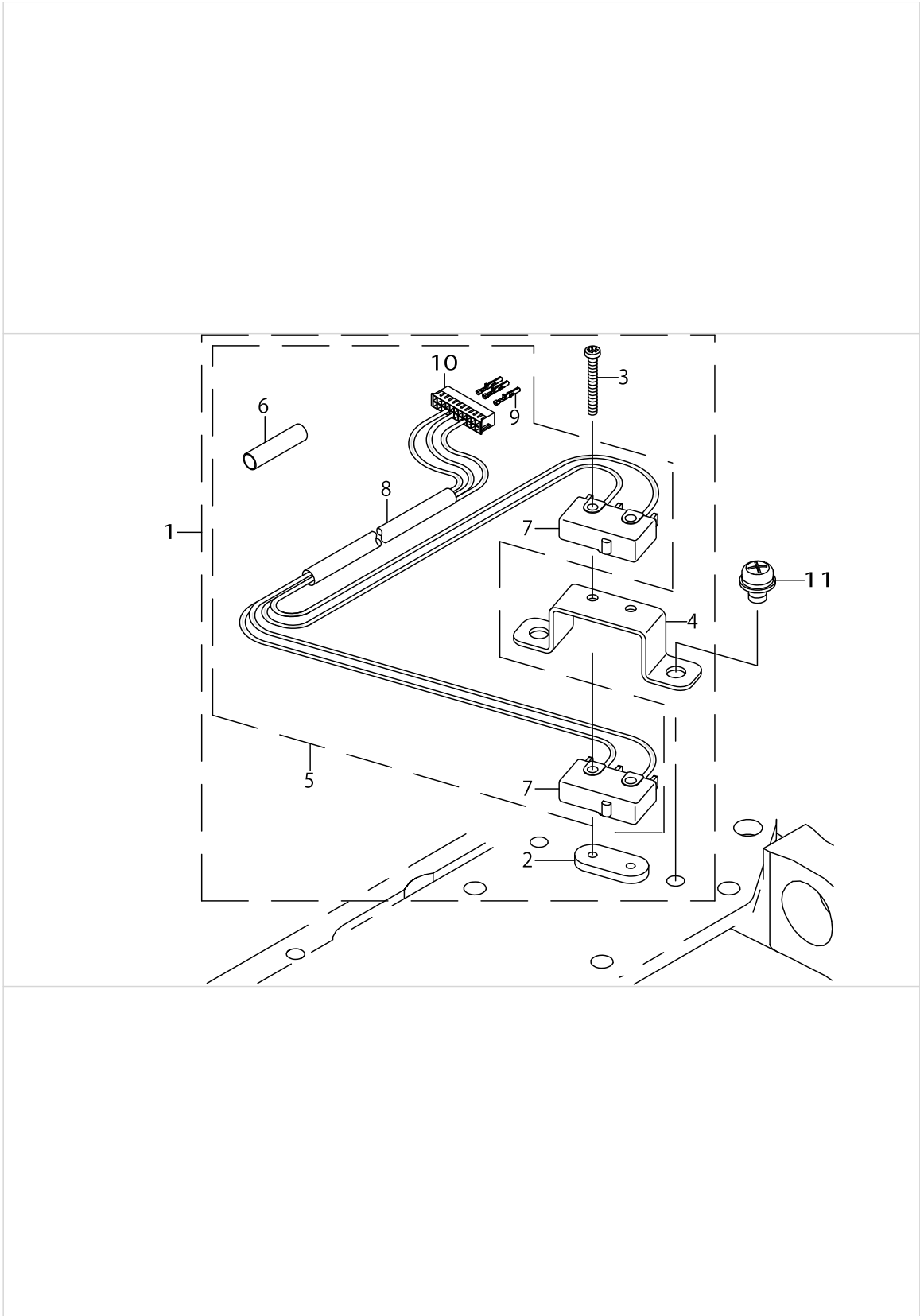


6-RANGE SW COMPONENTS (FOR LU-2810-7,2860-7,2818-7,2868-7,2810-7/X73178)

No.	Parts No.	Parts name	Remarks	Level	Cons	Qty
1	40105508	6RANGE SWITCH ASM.				1
2	40105510	6RANGE SWITCH PCB ASSY		*		1
3	40112215	6RANGE_SWITCH_COVER		*		1
4	40105509	6RANGE SWITCH CABLE ASM.		*		1
5	40112216	PANEL SHEET		*		1
6	SL4041491SC	SCREW 4X14		*		2



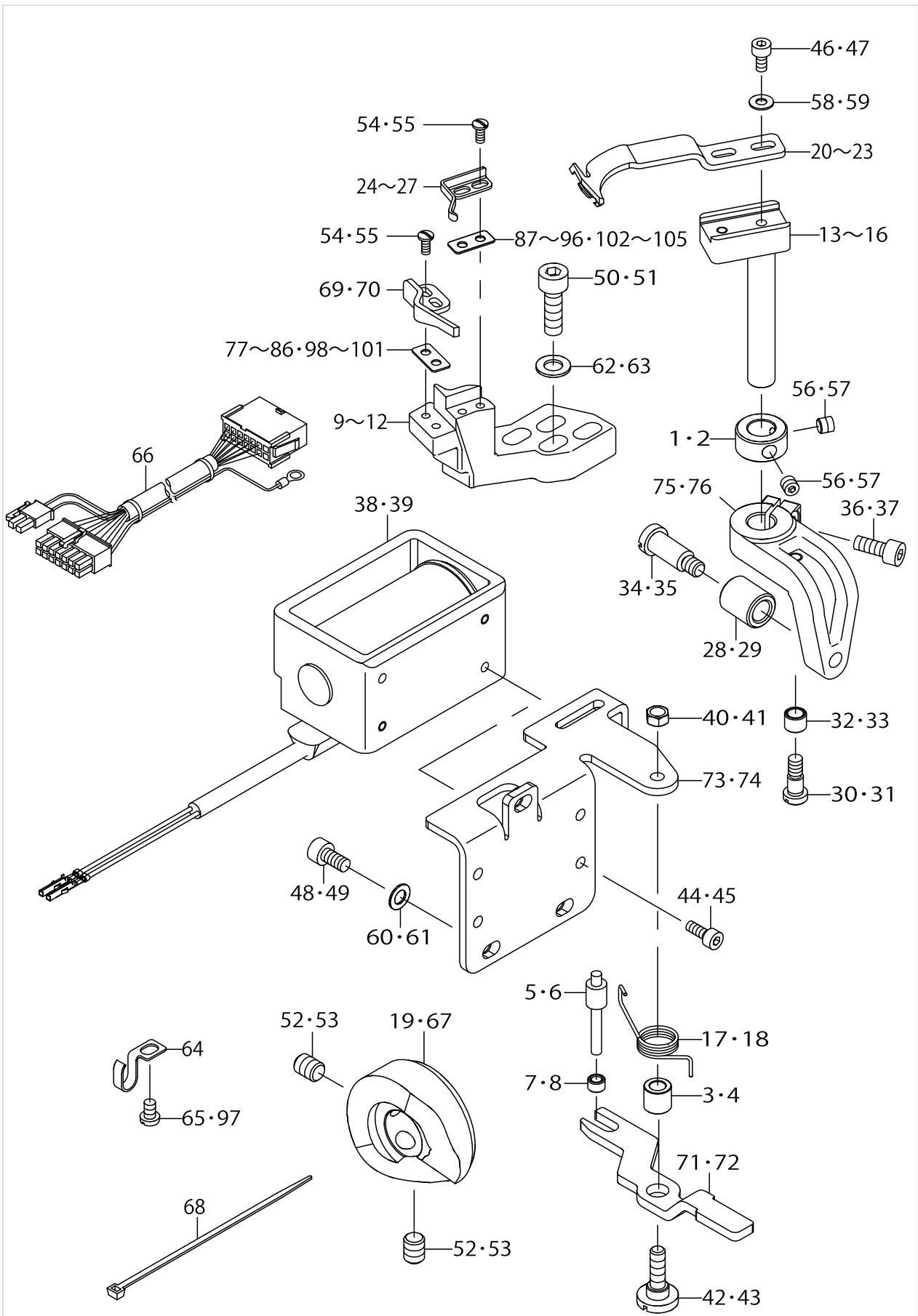
SPEED ADJUST COMPONENTS (FOR LU-2810-7,2860-7,2818-7,2868-7,2810-7/X73178)



SPEED ADJUST COMPONENTS (FOR LU-2810-7,2860-7,2818-7,2868-7,2810-7/X73178)

No.	Parts No.	Parts name	Remarks	Level	Cons	Qty
1	40126260	VERTICAL_DETECTOR_SWITCH_ASM.				1
2	23638406	SAFETY SWITCH NUT		*		1
3	SM4021601SN	SCREW M2 L=16		*		2
4	40126259	SENSOR_BRACKET		*		1
5	40126131	SPEED CONTROL CORD ASM.		*		1
6	E8760452D00	TUBE 0.015M		*		0.03
7	HA004680000	SWITCH		*		2
8	HW000840040	4-CORE CABTYRE CORD		*		1.37
9	HK075230000	TERMINAL		*		3
10	HK063610220	CONNECTOR		*		1
11	SL4040691SC	SCREW M4 L=6				2

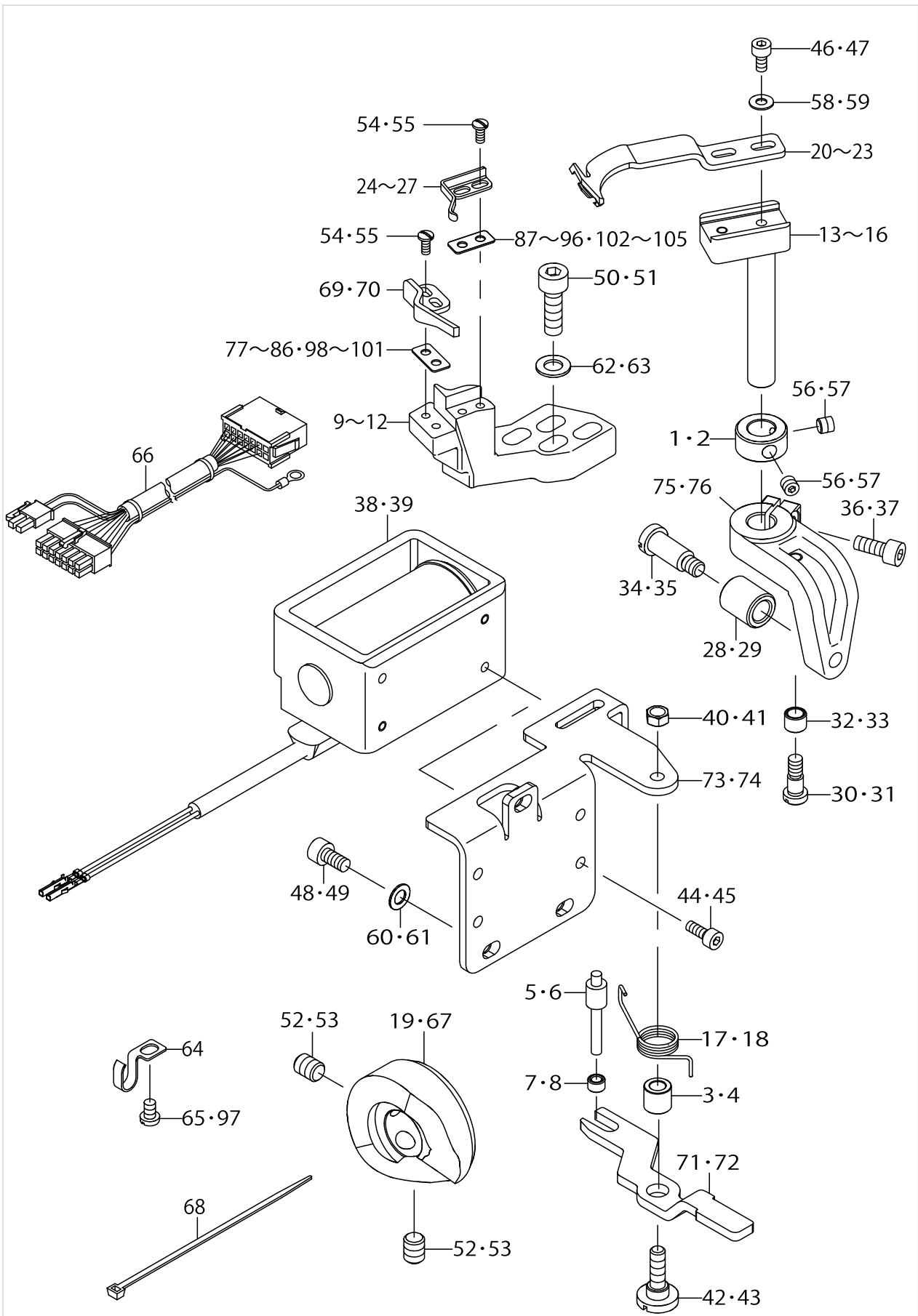
THREAD CUTTING COMPONENTS (FOR LU-2810-7,2860-7,2818-7,2868-7,2810-7/X73178)



THREAD CUTTING COMPONENTS (FOR LU-2810-7,2860-7,2818-7,2868-7,2810-7/X73178)

No.	Parts No.	Parts name	Remarks	Level	Cons	Qty
1	22917009	THRUST COLLAR	FOR LU-2810-7,2818-7, 2810-7/X73178			1
2	22917009	THRUST COLLAR	FOR LU-2860-7,2868-7			2
3	22956205	WIPER HINGE SCREW COLLAR	FOR LU-2810-7,2818-7, 2810-7/X73178			1
4	22956205	WIPER HINGE SCREW COLLAR	FOR LU-2860-7,2868-7			2
5	22957104	WIPER SOLENOID SHAFT	FOR LU-2810-7,2818-7, 2810-7/X73178			1
6	22957104	WIPER SOLENOID SHAFT	FOR LU-2860-7,2868-7			2
7	22957203	WIPER LINK COLLAR	FOR LU-2810-7,2818-7, 2810-7/X73178			1
8	22957203	WIPER LINK COLLAR	FOR LU-2860-7,2868-7			2
9	40125879	FIXED_KNIFE_BASE	FOR LU-2810-7			1
10	40125879	FIXED_KNIFE_BASE	FOR LU-2860-7			2
11	40147942	FIXED_KNIFE_BASE_XXL	FOR LU-2818-7,2810-7/X73178			1
12	40147942	FIXED_KNIFE_BASE_XXL	FOR LU-2868-7			2
13	40112230	MOVING_KNIFE_SHAFT	FOR LU-2810-7			1
14	40112230	MOVING_KNIFE_SHAFT	FOR LU-2860-7			2
15	40147941	MOVING_KNIFE_SHAFT_XXL	FOR LU-2818-7,2810-7/X73178			1
16	40147941	MOVING_KNIFE_SHAFT_XXL	FOR LU-2868-7			2
17	40112235	DRIVING_ARM_RETURN_SPRING	FOR LU-2810-7,2818-7, 2810-7/X73178			1
18	40112235	DRIVING_ARM_RETURN_SPRING	FOR LU-2860-7,2868-7			2
19	40112278	THREAD_TRIMMER_CAM_R				1
20	40132434	MOVING_KNIFE	FOR LU-2810-7		☆	1
21	40132434	MOVING KNIFE	FOR LU-2860-7		☆	2
22	40147940	MOVING_KNIFE_XXL	FOR LU-2818-7,2810-7/X73178		☆	1
23	40147940	MOVING_KNIFE_XXL	FOR LU-2868-7		☆	2
24	21389408	CLAMP SPRING	FOR LU-2810-7		☆	1
25	21389408	CLAMP SPRING	FOR LU-2860-7		☆	2
26	40147943	CLAMP_SPRING_XXL	FOR LU-2818-7,2810-7/X73178		☆	1
27	40147943	CLAMP_SPRING_XXL	FOR LU-2868-7		☆	2
28	40112232	THREAD_TRIMMER_CAM_ROLLER	FOR LU-2810-7,2818-7, 2810-7/X73178			1
29	40112232	THREAD_TRIMMER_CAM_ROLLER	FOR LU-2860-7,2868-7			2
30	SD0460576TP	SHOULDER SCREW D=4.6 H=5.7	FOR LU-2810-7,2818-7, 2810-7/X73178			1
31	SD0460576TP	SHOULDER SCREW D=4.6 H=5.7	FOR LU-2860-7,2868-7			2
32	B2508047000	BLOCK ROLLER	FOR LU-2810-7,2818-7, 2810-7/X73178			1
33	B2508047000	BLOCK ROLLER	FOR LU-2860-7,2868-7			2
34	SD0651301TH	HINGE SCREW D=6.5 H=13	FOR LU-2810-7,2818-7, 2810-7/X73178			1
35	SD0651301TH	HINGE SCREW D=6.5 H=13	FOR LU-2860-7,2868-7			2
36	SM6041002TP	SCREW M4 L=10	FOR LU-2810-7,2818-7, 2810-7/X73178			1
37	SM6041002TP	SCREW M4 L=10	FOR LU-2860-7,2868-7			2
38	40112251	THREAD_TRIMMER_SOLENOID	FOR LU-2810-7,2818-7, 2810-7/X73178			1
39	40137921	THREAD_TRIMMER_SOLENOID	FOR LU-2860-7,2868-7			2
40	NS6110310SP	NUT 11/64-40	FOR LU-2810-7,2818-7, 2810-7/X73178			1
41	NS6110310SP	NUT 11/64-40	FOR LU-2860-7,2868-7			2
42	SD0650321TP	HINGE SCREW D=6.5 H=3.2	FOR LU-2810-7,2818-7, 2810-7/X73178			1
43	SD0650321TP	HINGE SCREW D=6.5 H=3.2	FOR LU-2860-7,2868-7			2
44	SM6030602TP	SCREW M3X0.5 L=6	FOR LU-2810-7,2818-7, 2810-7/X73178			4
45	SM6030602TP	SCREW M3X0.5 L=6	FOR LU-2860-7,2868-7			8
46	SM6030602TP	SCREW M3X0.5 L=6	FOR LU-2810-7,2818-7, 2810-7/X73178			2
47	SM6030602TP	SCREW M3X0.5 L=6	FOR LU-2860-7,2868-7			4

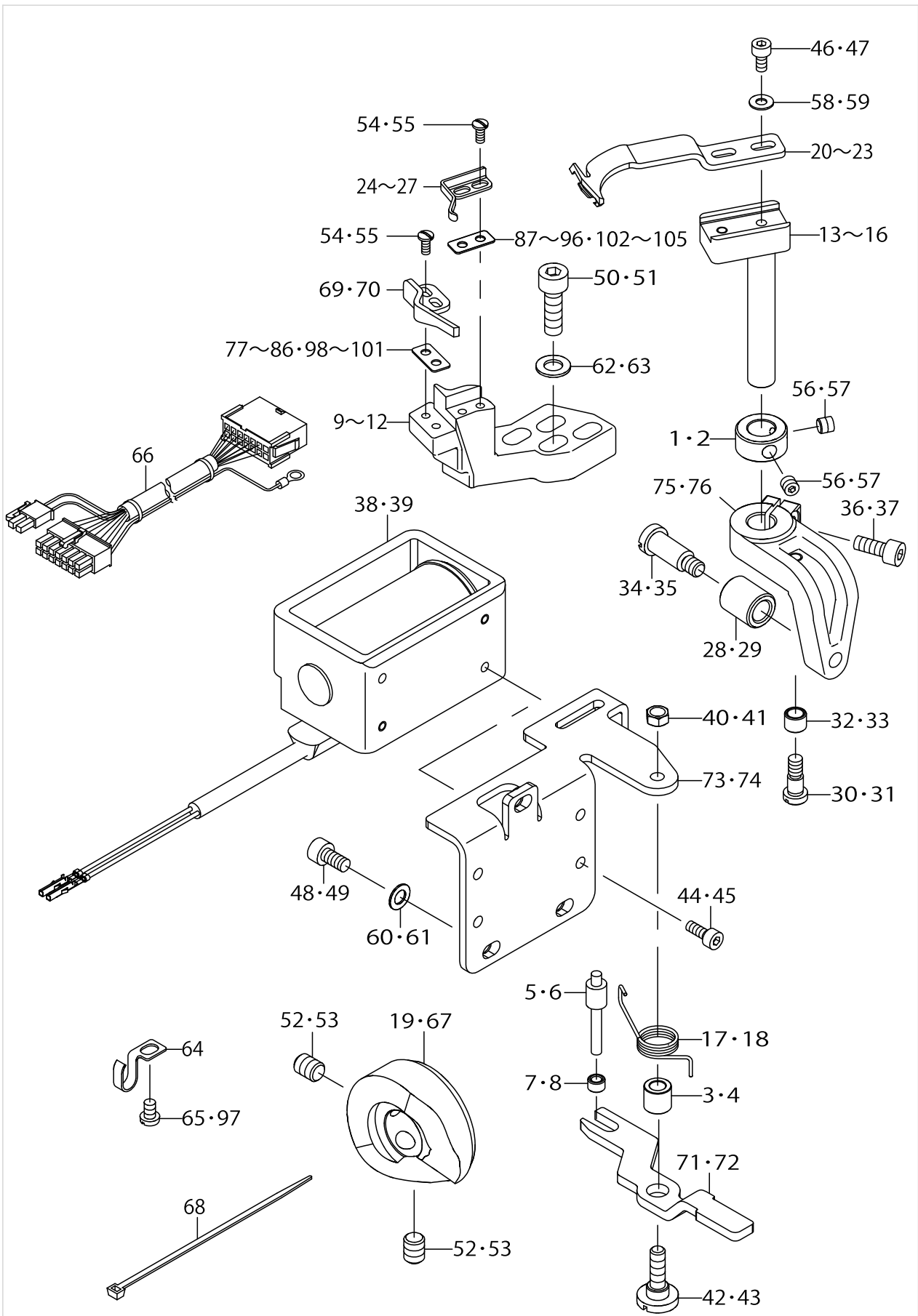
THREAD CUTTING COMPONENTS (FOR LU-2810-7,2860-7,2818-7,2868-7,2810-7/X73178)



THREAD CUTTING COMPONENTS (FOR LU-2810-7,2860-7,2818-7,2868-7,2810-7/X73178)

No.	Parts No.	Parts name	Remarks	Level	Cons	Qty
48	SM6040802TP	SCREW M4X0.7 L=8	FOR LU-2810-7,2818-7, 2810-7/X73178			3
49	SM6040802TP	SCREW M4X0.7 L=8	FOR LU-2860-7,2868-7			6
50	SM6051602TP	SCREW M5X0.8 L=16	FOR LU-2810-7,2818-7, 2810-7/X73178			2
51	SM6051602TP	SCREW M5X0.8 L=16	FOR LU-2860-7,2868-7			4
52	SM8060812TP	SCREW M6 L=8	FOR LU-2810-7,2818-7, 2810-7/X73178			2
53	SM8060812TP	SCREW M6 L=8	FOR LU-2860-7,2868-7			4
54	SS7060610SP	SCREW 3/32-56 L=5.5	FOR LU-2810-7,2818-7, 2810-7/X73178		☆	4
55	SS7060610SP	SCREW 3/32-56 L=5.5	FOR LU-2860-7,2868-7		☆	8
56	SS8110422TP	SCREW 11/64-40 L=4	FOR LU-2810-7,2818-7, 2810-7/X73178			2
57	SS8110422TP	SCREW 11/64-40 L=4	FOR LU-2860-7,2868-7			4
58	WP0320501SC	WASHER M3	FOR LU-2810-7,2818-7, 2810-7/X73178			2
59	WP0320501SC	WASHER M3	FOR LU-2860-7,2868-7			4
60	WP0450000SD	WASHER 4.5X8X0.5	FOR LU-2810-7,2818-7, 2810-7/X73178			3
61	WP0450000SD	WASHER 4.5X8X0.5	FOR LU-2860-7,2868-7			6
62	WP0550800SP	WASHER 5.5X10X0.8	FOR LU-2810-7,2818-7, 2810-7/X73178			2
63	WP0550800SP	WASHER 5.5X10X0.8	FOR LU-2860-7,2868-7			4
64	26231902	OIL WICK PIPE STOPPER				1
65	SM4040655SP	SCREW M4 L=6	FOR LU-2810-7,2860-7			1
66	40126130	SOLENOID RELAY CABLE ASM.				1
67	40126546	THREAD_TRIMMER_CAM_LEFT	FOR LU-2860-7,2868-7			1
68	EA9500B0100	CABLE BAND				1
69	21389309	FIXED KNIFE	FOR LU-2810-7,2818-7, 2810-7/X73178		☆	1
70	21389309	FIXED KNIFE	FOR LU-2860-7,2868-7		☆	2
71	40112234	KNIFE_DRIVING_ARM_LINK	FOR LU-2810-7,2818-7, 2810-7/X73178			1
72	40112234	KNIFE_DRIVING_ARM_LINK	FOR LU-2860-7,2868-7			2
73	40112233	THREAD_TRIMMER_SOL_BASE_PLATE	FOR LU-2810-7,2818-7, 2810-7/X73178			1
74	40112233	THREAD_TRIMMER_SOL_BASE_PLATE	FOR LU-2860-7,2868-7			2
75	40123248	MOVING_KNIFE_DRIVING_ARM	FOR LU-2810-7,2818-7, 2810-7/X73178			1
76	40123248	MOVING_KNIFE_DRIVING_ARM	FOR LU-2860-7,2868-7			2
77	40155295	F_KNIFE_SPACER_T=0.2	FOR LU-2818-7,2810-7/X73178			1
78	40155296	F_KNIFE_SPACER_T=0.4	FOR LU-2818-7,2810-7/X73178			1
79	40155297	F_KNIFE_SPACER_T=0.6	FOR LU-2818-7,2810-7/X73178			1
80	40155298	F_KNIFE_SPACER_T=0.8	FOR LU-2818-7,2810-7/X73178			1
81	40155299	F_KNIFE_SPACER_T=1.0	FOR LU-2818-7,2810-7/X73178			1
82	40155295	F_KNIFE_SPACER_T=0.2	FOR LU-2868-7			2
83	40155296	F_KNIFE_SPACER_T=0.4	FOR LU-2868-7			2
84	40155297	F_KNIFE_SPACER_T=0.6	FOR LU-2868-7			2
85	40155298	F_KNIFE_SPACER_T=0.8	FOR LU-2868-7			2
86	40155299	F_KNIFE_SPACER_T=1.0	FOR LU-2868-7			2
87	40155301	CLAMP_SPRING_SPACER_T=0.2	FOR LU-2818-7,2810-7/X73178			1
88	40155302	CLAMP_SPRING_SPACER_T=0.4	FOR LU-2818-7,2810-7/X73178			1
89	40155303	CLAMP_SPRING_SPACER_T=0.6	FOR LU-2818-7,2810-7/X73178			1
90	40155304	CLAMP_SPRING_SPACER_T=0.8	FOR LU-2818-7,2810-7/X73178			1
91	40155305	CLAMP_SPRING_SPACER_T=1.0	FOR LU-2818-7,2810-7/X73178			1
92	40155301	CLAMP_SPRING_SPACER_T=0.2	FOR LU-2868-7			2
93	40155302	CLAMP_SPRING_SPACER_T=0.4	FOR LU-2868-7			2
94	40155303	CLAMP_SPRING_SPACER_T=0.6	FOR LU-2868-7			2

THREAD CUTTING COMPONENTS (FOR LU-2810-7,2860-7,2818-7,2868-7,2810-7/X73178)

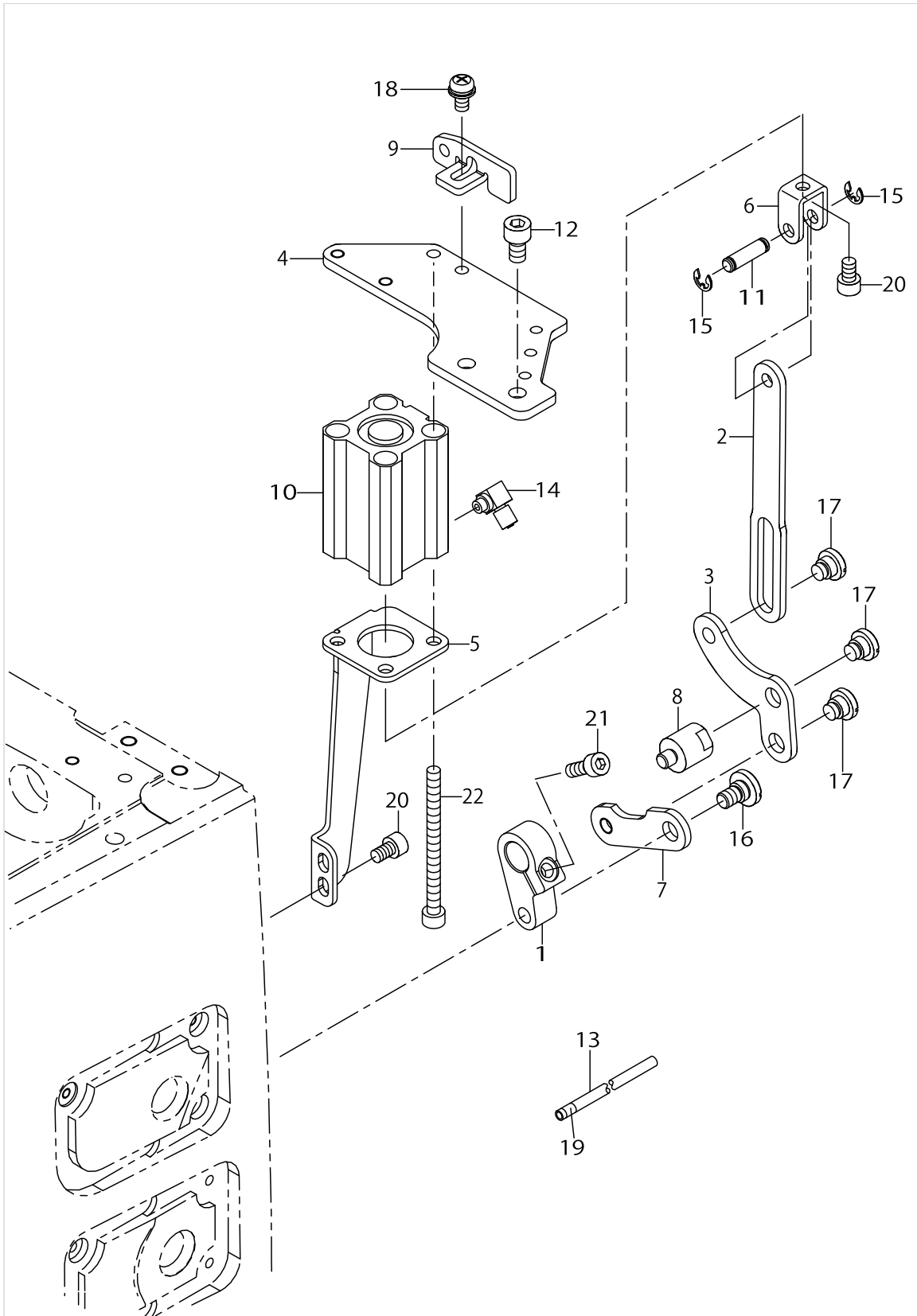


THREAD CUTTING COMPONENTS (FOR LU-2810-7,2860-7,2818-7,2868-7,2810-7/X73178)

No.	Parts No.	Parts name	Remarks	Level	Cons	Qty
95	40155304	CLAMP_SPRING_SPACER_T=0.8	FOR LU-2868-7			2
96	40155305	CLAMP_SPRING_SPACER_T=1.0	FOR LU-2868-7			2
97	SM4040855SP	SCREW	FOR LU-2818-7,2868-7 2810-7/X73178			1
98	40157628	F_KNIFE_SPACER	FOR LU-2818-7,2810-7/X73178			1
99	40157629	F_KNIFE_SPACER	FOR LU-2818-7,2810-7/X73178			1
100	40157628	F_KNIFE_SPACER	FOR LU-2868-7			2
101	40157629	F_KNIFE_SPACER	FOR LU-2868-7			2
102	40157625	CLAMP_SPRING_SPACER	FOR LU-2818-7,2810-7/X73178			1
103	40157626	CLAMP_SPRING_SPACER	FOR LU-2818-7,2810-7/X73178			1
104	40157625	CLAMP_SPRING_SPACER	FOR LU-2868-7			2
105	40157626	CLAMP_SPRING_SPACER	FOR LU-2868-7			2



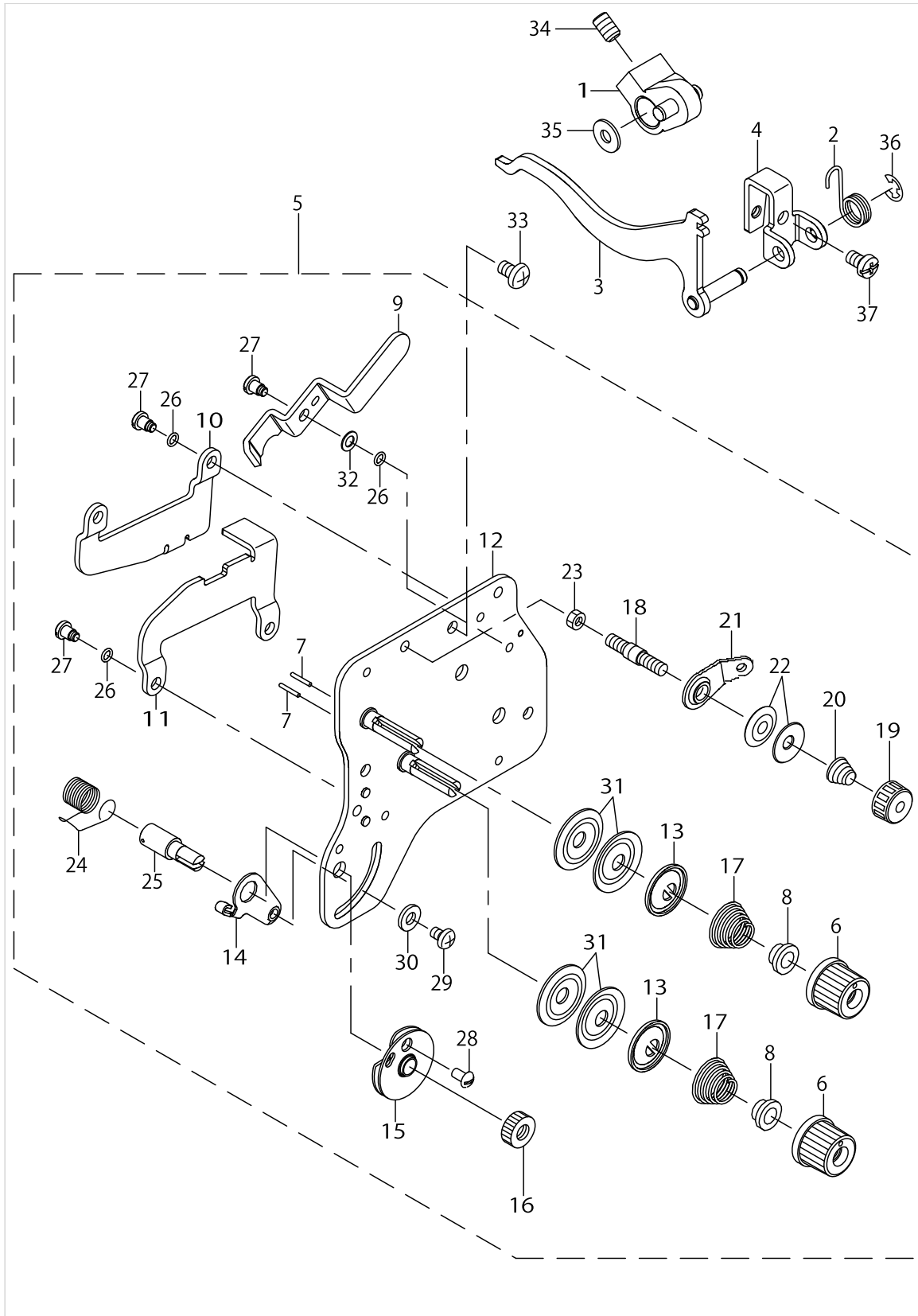
CONDENSE COMPONENTS (FOR LU-2818-7,2868-7)



CONDENSE COMPONENTS (FOR LU-2818-7,2868-7)

No.	Parts No.	Parts name	Remarks	Level	Cons	Qty
1	40133612	CONDENSE ARM				1
2	40112137	LINK_A				1
3	40112138	LINK_B				1
4	40125872	CYLINDER_BRACKET				1
5	40112140	CYLINDER_STAY				1
6	40112149	CYLINDER_KNUCKLE				1
7	40133655	LINK D				1
8	40112151	BT_LINK_STUD				1
9	40112228	MOTOR_COVER_FITTING_PLATE				1
10	40142208	AIR CYLINDER				1
11	D2464555B00	LINK DRIVING MAGNET PIN				1
12	SM6061002TP	SCREW M6 L=10				2
13	BT0400251EB	URETHANE HOSE BLACK				0.27
14	PJ046052503	HOSE ELBOW				1
15	RE0400000K0	E-RING 4				2
16	SD0800321TH	HINGE SCREW D=8 H=3.2				1
17	SD0800341SP	HINGE SCREW D=8 H=3.4				3
18	SL4051091SC	SCREW M5X0.8 L=10				1
19	18035709	WIRE MARK (8)				1
20	SM6050802TP	SCREW M5X0.8 L=8				3
21	SM6051402TP	SCREW M5X0.8 L=14				1
22	SM6056552TP	SCREW				3

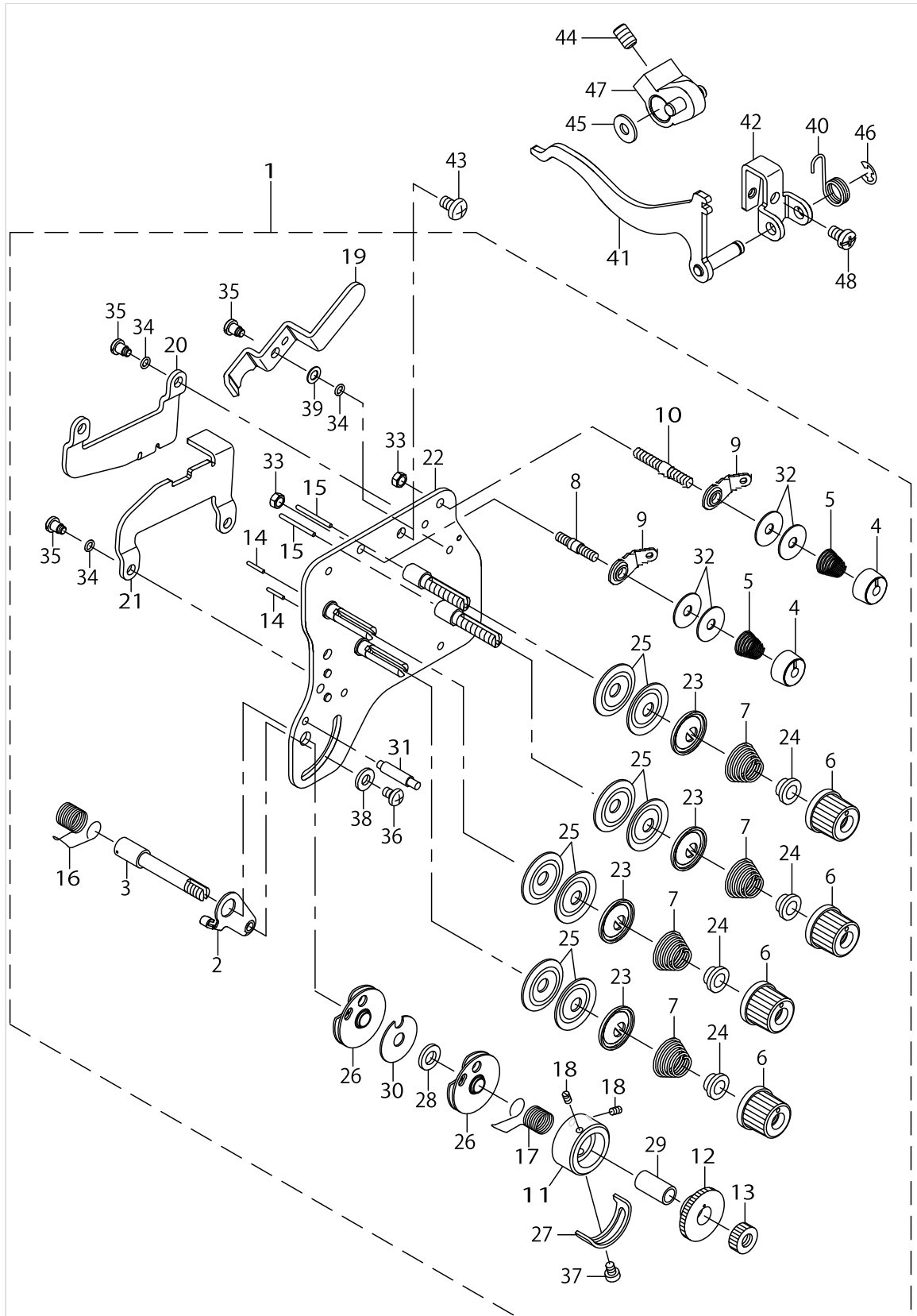
THREAD TENSION COMPONENTS (FOR LU-2810,2810-7,2818-7,2810-7/X73178)



THREAD TENSION COMPONENTS (FOR LU-2810,2810-7,2818-7,2810-7/X73178)

No.	Parts No.	Parts name	Remarks	Level	Cons	Qty
1	22912257	FEED REVERSE ARM ASM.				1
2	22954309	REVERSE FEED SWITCH SPRING				1
3	40126265	DISK_RELEASE_LINK_ASM.				1
4	40125873	DISK_RELEASE_LINK_BASE				1
5	40126373	THREAD_TENSION_ASM_2810				1
6	13817408	THREAD TENSION NUT		*	☆	2
7	22618201	TENSION RELEASE PIN A		*		2
8	B3112704000	TENSION SPRING BUSHING		*		2
9	40112204	TENSION_RELEASE_LEVER		*		1
10	40112218	DISK_RELEASE_PLATE_A		*		1
11	40112219	DISK_RELEASE_PLATE_B		*		1
12	40126404	ASSY_TENSION_BASE_PLATE_2810		*		1
13	40126724	TENSION_DISC HOLDER		*		2
14	10697506	THREAD TENSION BRACKET A		*		1
15	B31375270A0	TAKE-UP SPRING GUIDE ASM.		*		1
16	22617807	NUT		*		1
17	12938304	TENSION SPRING		*	☆	2
18	22528806	PRE_TENSION_POST		*		1
19	22945703	THREAD TENSION NUT		*		1
20	22963409	THREAD TENSION SPRING		*	☆	1
21	22529408	BOBBIN THREAD GUIDE		*		1
22	22945802	THREAD TENSION DISK		*		1
23	NS6110310SP	NUT 11/64-40		*		1
24	22618706	THREAD TAKE-UP SPRING A		*	☆	1
25	10320109	SCREW STUD		*		1
26	RO037180100	RUBBER RING		*		5
27	SD0450401SP	HINGE SCREW D=4.5 H=4		*		5
28	SS3090710TP	SCREW 9/64-40 L=7		*		1
29	SS4110615SP	SCREW 11/64-40 L=6		*		1
30	WP0501016SD	WASHER 5X10.5X1		*		1
31	22921506	THREAD TENSION DISK		*		4
32	WP0460556SD	WASHER 4.6X7.5X0.5		*		1
33	SM4051001SN	SCREW M5				3
34	SS8661012TP	SCREW				1
35	22528509	FELT				1
36	RE0500000K0	E-RING				1
37	SM4050855SP	SCREW				1

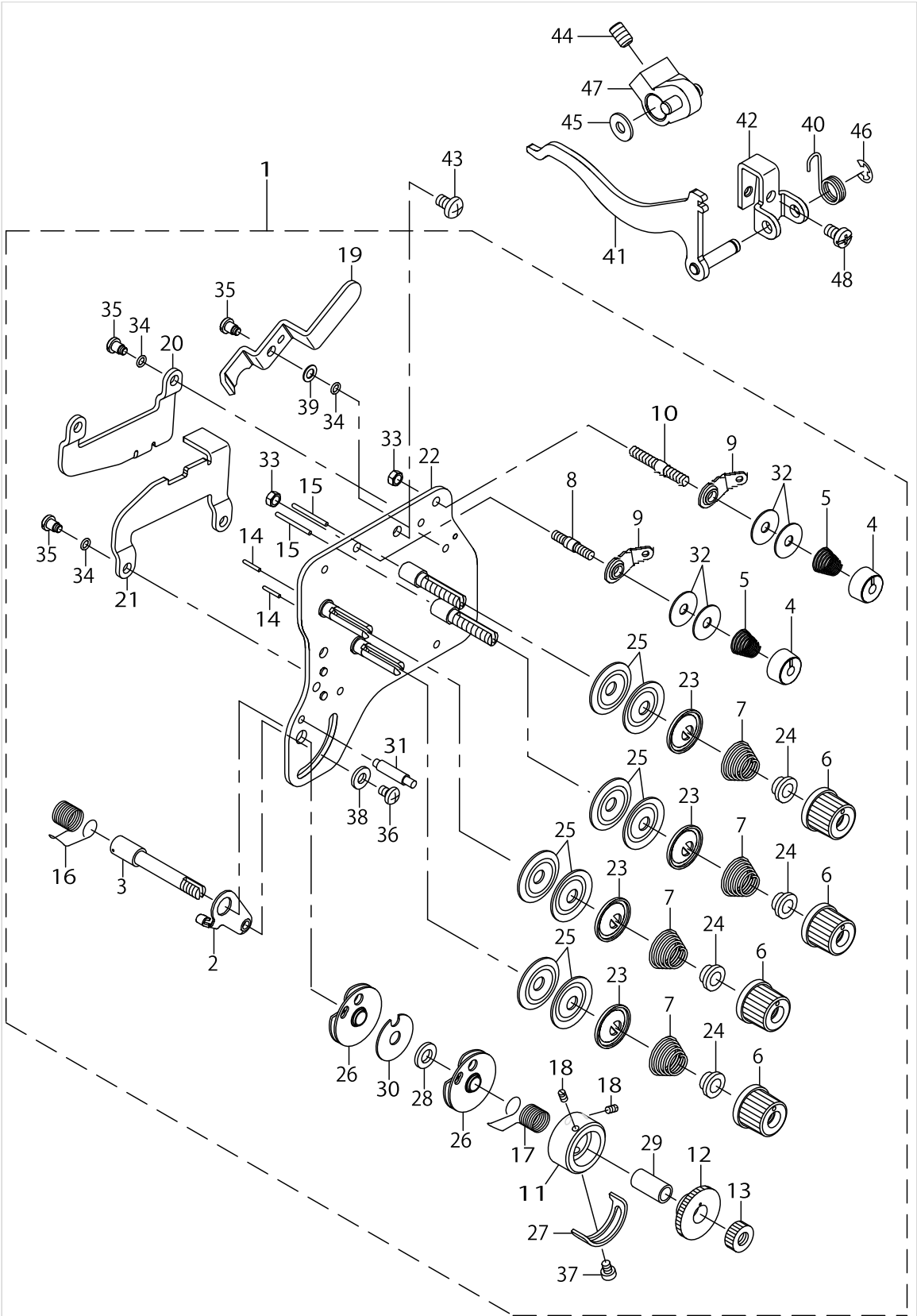
THREAD TENSION COMPONENTS (FOR LU-2860,2860-7,2868-7)



THREAD TENSION COMPONENTS (FOR LU-2860,2860-7,2868-7)

No.	Parts No.	Parts name	Remarks	Level	Cons	Qty
1	40126556	THREAD_TENSION_ASM_2860				1
2	10697506	THREAD TENSION BRACKET A		*		1
3	10697605	THREAD TAKE-UP SPRING STUD		*		1
4	11072402	THREAD TENSION NUT		*		2
5	11093606	THREAD TENSION SPRING		*	☆	2
6	13817408	THREAD TENSION NUT		*	☆	4
7	12938304	TENSION SPRING		*	☆	4
8	22528806	THREAD TENSION POST		*		1
9	22529408	BOBBIN THREAD GUIDE		*		2
10	22529515	BOBBIN THREAD TENSION ROD		*		1
11	22617609	THREAD TENSION POST		*		1
12	22617708	TAKE-UP SPRING GUIDE		*		1
13	22617807	NUT		*		1
14	22618201	TENSION RELEASE PIN A		*		2
15	22618300	TENSION RELEASE PIN B		*		2
16	22618706	THREAD TAKE-UP SPRING A		*	☆	1
17	22618805	THREAD TAKE-UP SPRING B		*	☆	1
18	22618904	SET SCREW		*		2
19	40112204	TENSION_RELEASE_LEVER		*		1
20	40112218	DISK_RELEASE_PLATE_A		*		1
21	40112219	DISK_RELEASE_PLATE_B		*		1
22	40126557	ASSY_TENSION_BASE_PLATE_2860		*		1
23	40126724	TENSION_DISC HOLDER		*		4
24	B3112704000	TENSION SPRING BUSHING		*		4
25	22921506	THREAD TENSION DISK		*		8
26	B31375270A0	TAKE-UP SPRING GUIDE ASM.		*		2
27	B3138527000	ADJUSTING PLATE B		*		1
28	B3139527000	COLLAR		*		1
29	B3141527000	PRESSER COLLAR		*		1
30	B3142527000	TAKE-UP SPRING GUIDE PLATE		*		1
31	B3143527000	TAKE-UP SPRING GUIDE STUD		*		1
32	B3214047000	BOBBIN WINDER TENSION DISC		*		4
33	NS6110310SP	NUT 11/64-40		*		2
34	RO037180100	RUBBER RING		*		5
35	SD0450401SP	HINGE SCREW D=4.5 H=4		*		5
36	SS4110615SP	SCREW 11/64-40 L=6		*		1
37	SS7090510SP	SCREW 9/64-40 L=4.6		*		1
38	WP0501016SD	WASHER 5X10.5X1		*		1
39	WP0460556SD	WASHER 4.6X7.5X0.5		*		1
40	22954309	REVERSE FEED SWITCH SPRING				1
41	40126265	DISK_RELEASE_LINK_ASM.				1
42	40125873	DISK_RELEASE_LINK_BASE				1
43	SM4051001SN	SCREW M5				3
44	SS8661012TP	SCREW				1
45	22528509	FELT				1
46	RE0500000K0	E-RING				1
47	22912257	FEED REVERSE ARM ASM.				1

THREAD TENSION COMPONENTS (FOR LU-2860,2860-7,2868-7)

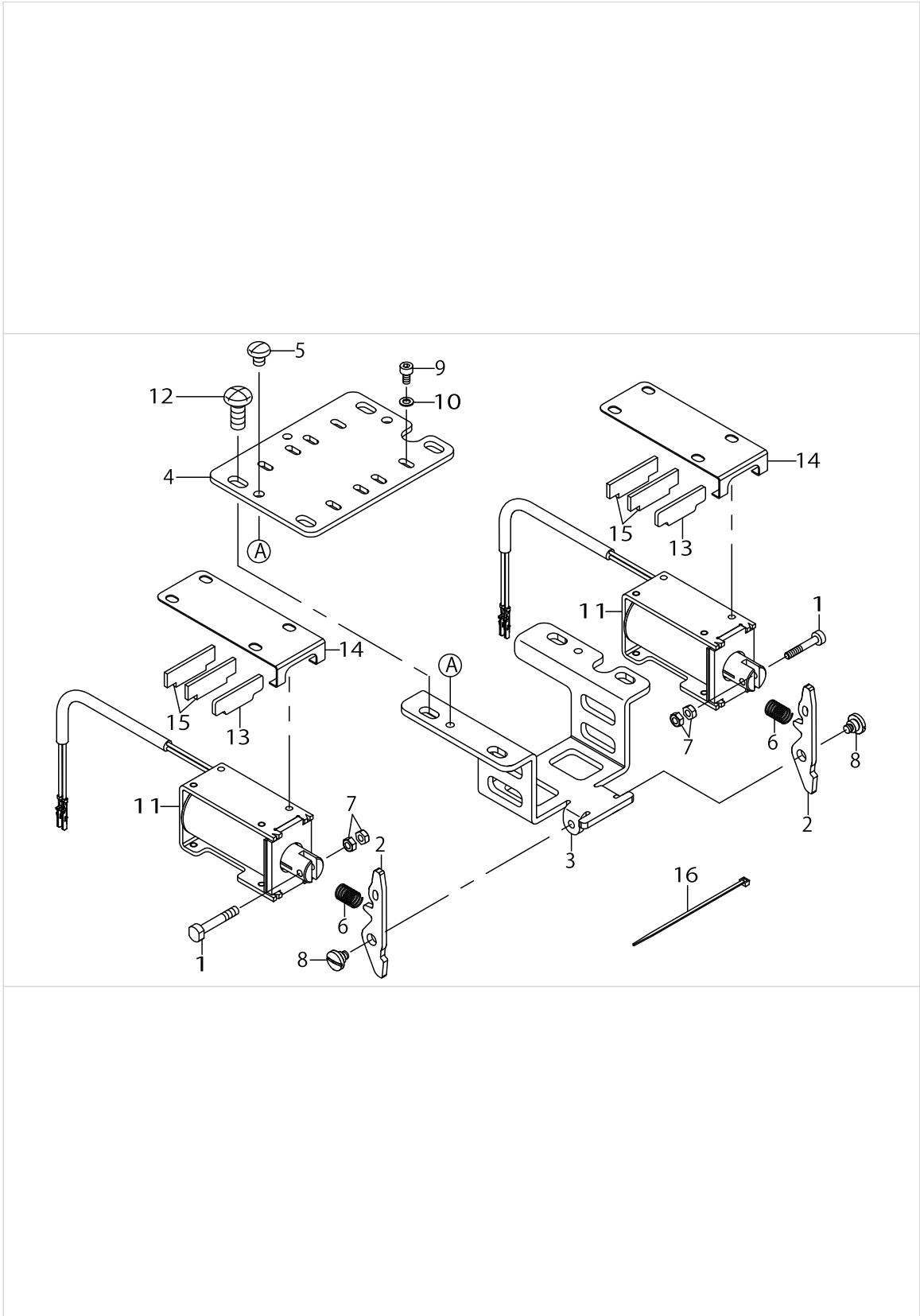


THREAD TENSION COMPONENTS (FOR LU-2860,2860-7,2868-7)

No.	Parts No.	Parts name	Remarks	Level	Cons	Qty
48	SM4050855SP	SCREW				1



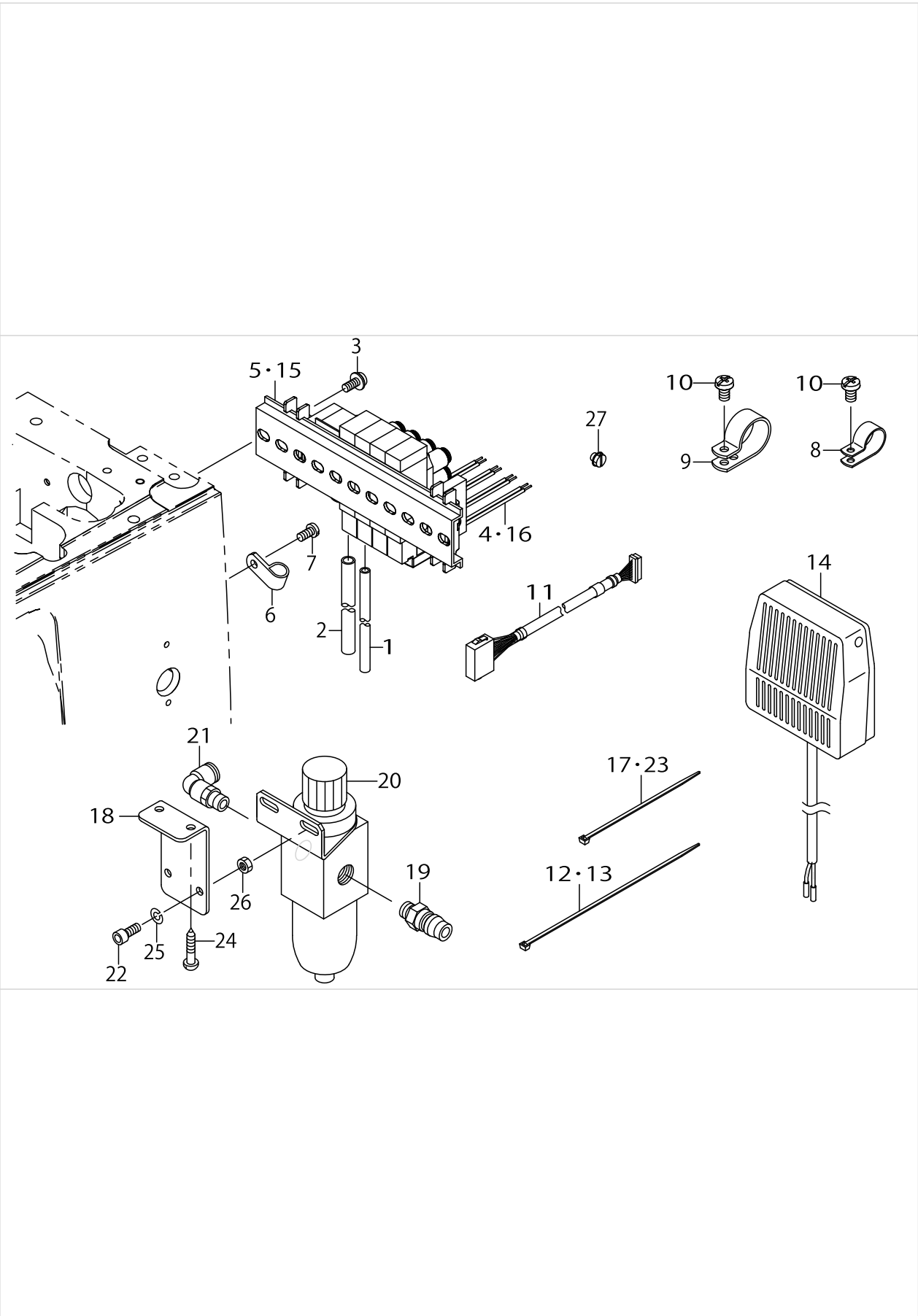
TENSION RELEASE COMPONENTS (FOR LU-2810-7,2860-7,2818-7,2868-7,2810-7/X73178)



## TENSION RELEASE COMPONENTS (FOR LU-2810-7,2860-7,2818-7,2868-7,2810-7/X73178)

No.	Parts No.	Parts name	Remarks	Level	Cons	Qty
1	40139345	PLUNGER_LINK_PIN				2
2	40125948	RELEASE_SOLENOID_LINK				2
3	40126263	SOLENOID_LINK_MOUNTING_PLATE				1
4	40125949	RELEASE_SOLENOID_BASE				1
5	SS4090515SP	SCREW 9/64-40 L=5				2
6	32055501	AT (UPPER) SPRING				2
7	NM6030001SC	NUT M3X0.5 TYPE1				4
8	SD0550271TP	HINGE SCREW D=5.50 H=2.7				2
9	SM6030602TP	SCREW M3X0.5 L=6				8
10	WP0320501SE	WASHER 3.2X7.0X0.5				8
11	40112285	TENSION_RELEASE_SOLENOID				2
12	SM4051255SP	SCREW M5 L=12				4
13	40126563	STOPPER_PLATE				2
14	40126562	RUBBER HOLDER				2
15	40086679	WIPER_STOPPER_RUBBER				4
16	EA9500B0100	CABLE BAND				1

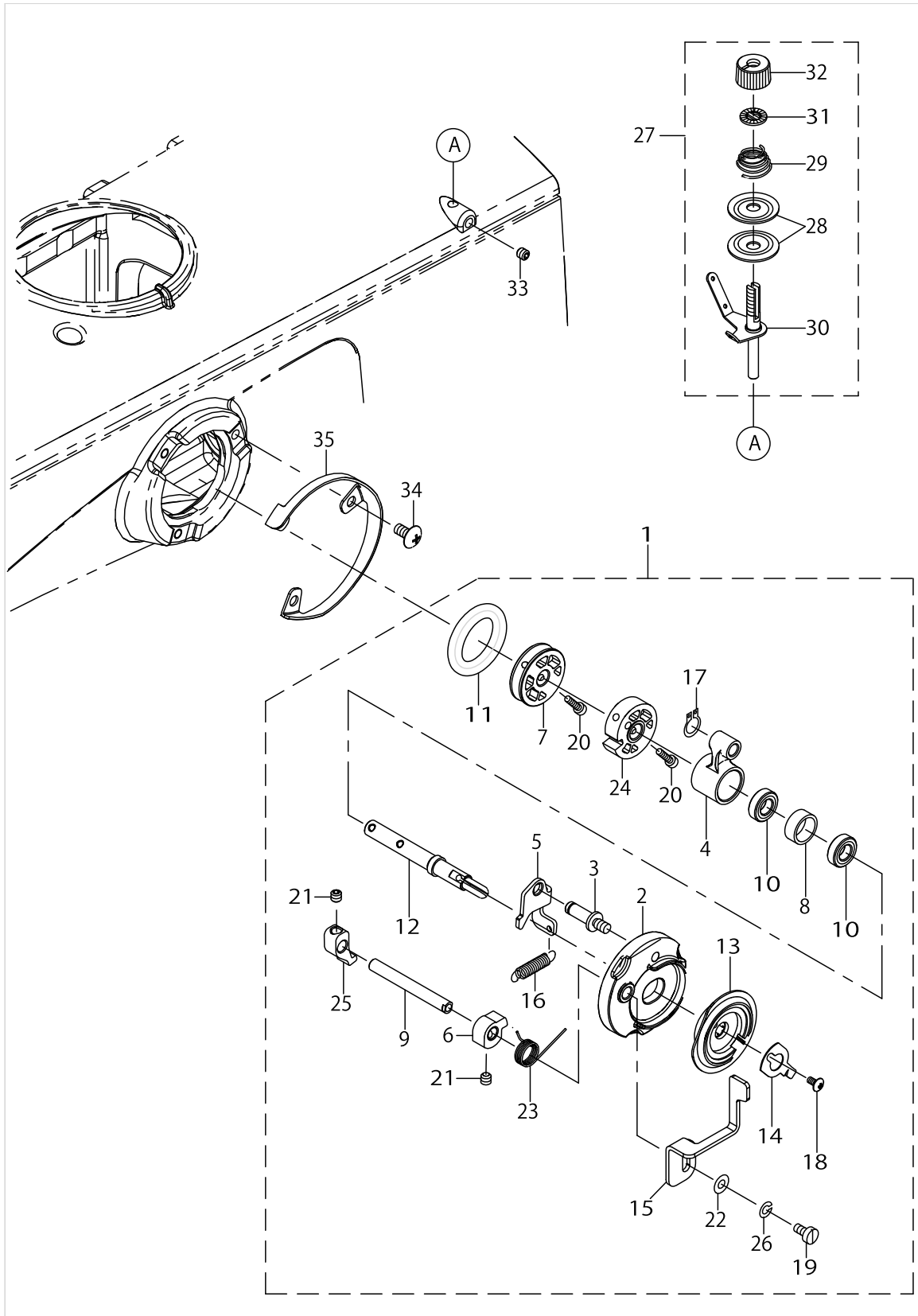
PNEUMATIC COMPONENTS (FOR LU-2810-7,2860-7,2818-7,2868-7,2810-7/X73178)



PNEUMATIC COMPONENTS (FOR LU-2810-7,2860-7,2818-7,2868-7,2810-7/X73178)

No.	Parts No.	Parts name	Remarks	Level	Cons	Qty
1	BT0600401EB	TUBE				1.1
2	BT0800501EB	VINYL TUBE				1.1
3	SL4041091SC	SCREW M4 L=10				2
4	40126128	SOLENOID VALVE CABLE ASM.	FOR LU-2810-7,2860-7, 2810-7/X73178			1
5	40126545	SOLENOID_VALVE_ASSY	FOR LU-2810-7,2860-7, 2810-7/X73178			1
6	HX00150000C	CABLE CLIP				1
7	SM4040855SP	SCREW				1
8	HX00150000H	CABLE CLIP				1
9	HX00150000M	CABLE CLIP				1
10	SM4040855SP	SCREW				2
11	40126127	AIR VALVE RELAY CABLE ASM.				1
12	EA9500B0200	CABLE BAND 150	FOR LU-2810-7,2860-7, 2810-7/X73178			2
13	EA9500B0200	CABLE BAND 150	FOR LU-2818-7,2868-7			4
14	40143553	KNEE_SWITCH_ASM.				1
15	40130283	SOLENOID_VALVE_ASM	FOR LU-2818-7,2868-7			1
16	40130284	SOLENOID VALVE CABLE ASM	FOR LU-2818-7,2868-7			1
17	EA9500B0100	CABLE BAND	FOR LU-2818-7,2868-7			1
18	13860408	REGULATOR BRACKET				1
19	PJ025100003	PLUG				1
20	PF055107000	FILTER REGULATOR				1
21	PJ304065101	ELBOW UNION 6XPT1/8				1
22	SM6051202TP	SCREW M5X0.8 L=12				2
23	EA9500B0100	CABLE BAND	FOR LU-2810-7,2860-7, 2810-7/X73178			1
24	SK3482001SE	WOOD SCREW D=4.8 L=20				2
25	WS0510002KN	SPRING WASHER M5				2
26	NM6050001SP	NUT M5				2
27	PJ020500002	PLUG	FOR LU-2810-7/X73178			1

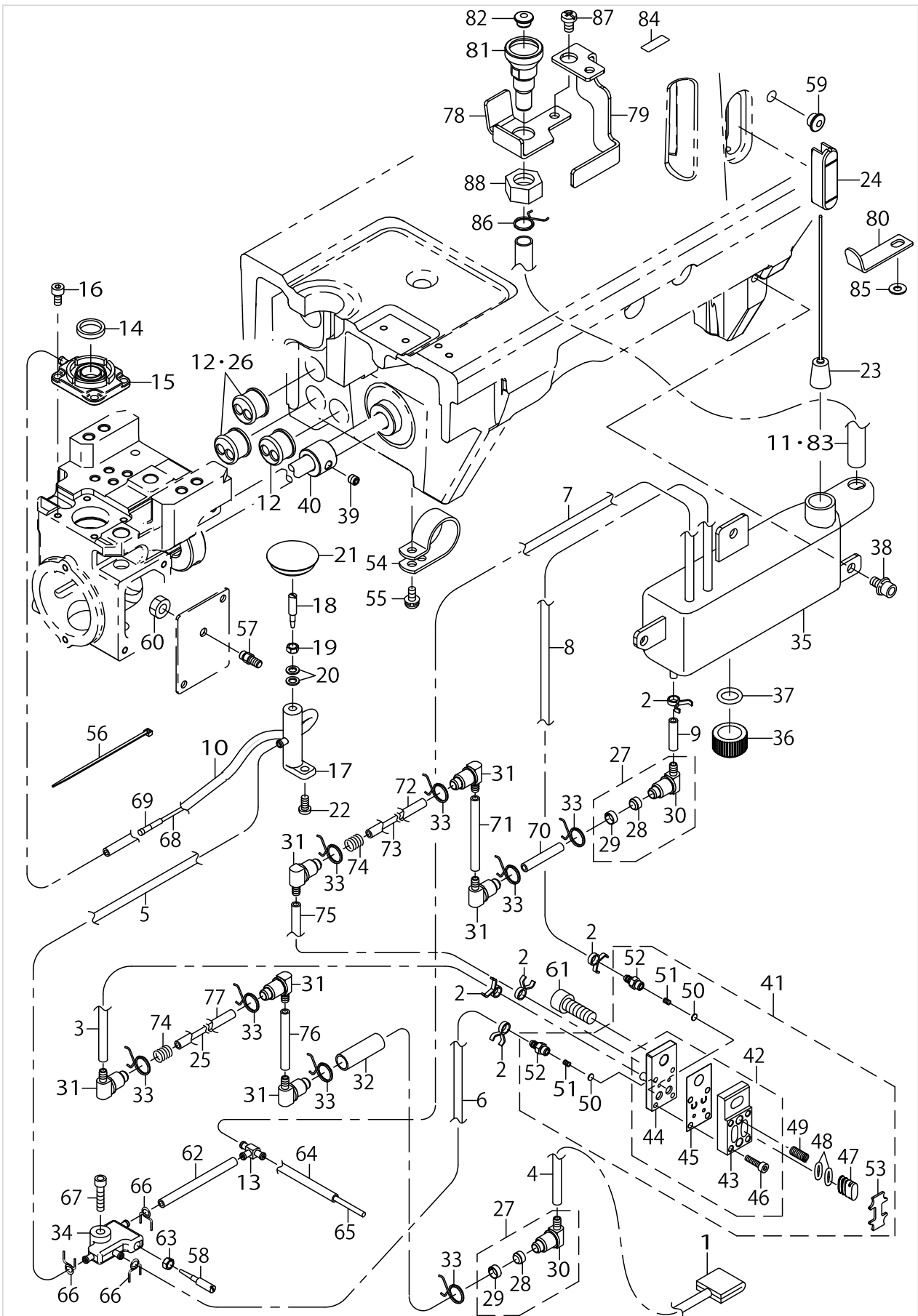
BOBBIN WINDER COMPONENTS



BOBBIN WINDER COMPONENTS

No.	Parts No.	Parts name	Remarks	Level	Cons	Qty
1	40126355	BOBBIN_WINDER_UNIT				1
2	26260109	BTW_BASE		*		1
3	26260307	BTW_BASE_SHAFT		*		1
4	26260406	BTW_SHAFT_BASE		*		1
5	40126594	BTW_CAM_PLATE		*		1
6	26260505	BTW_CAM_LEVER		*		1
7	40125851	WINDER_WHEEL		*		1
8	26260802	BTW_BEARING_SPACER		*		1
9	26261008	BTW_LEVER_SHAFT		*		1
10	40126354	WINDER_BEARING		*		1
11	26261503	BTW_WHEEL_RUBBER		*	☆	1
12	40126550	BOBBIN_SHAFT		*		1
13	40125927	BOBBIN_BASE		*		1
14	40126311	WINDER_CUTTER		*		1
15	40151791	BOBBIN_LEVER		*		1
16	13718507	SPRING		*		1
17	RC0560711KP	RETAINING RING		*		1
18	SM0030601SC	SCREW M3X0.5 L=6		*		1
19	SM6040860TP	SCREW M4 L=8		*		1
20	SM6031202TP	SCREW M3X0.5 L=12		*		1
21	SM8050502TP	SCREW M5 L=5		*		2
22	WP0450801SP	WASHER		*		1
23	40126549	HELICAL_TORSION_COIL_SPRING		*		1
24	40125928	WINDER_LATCH_CAM		*		1
25	40125844	WINDER_LATCH_B		*		1
26	WS0451040KP	SPRING WASHER 4.5X8.5X1		*		1
27	40088958	BOBBIN_THREAD_TENSION_ASM.				1
28	22921506	THREAD_TENSION_DISK		*		1
29	22921704	THREAD_TENSION_SPRING_A		*	☆	1
30	40088959	BOBBIN_THREAD_TENSION_ROD_ASM.		*		1
31	22921407	ROTATION_STOPPER		*		1
32	22921308	THREAD_TENSION_NUT		*		1
33	SM8051002TP	SCREW M5 L=10				1
34	SM0051001SC	SCREW				3
35	40152022	BTW_GUARD				1

LUBRICATION COMPONENTS (FOR LU-2810,2810-7,2818-7,2810-7/X73178)

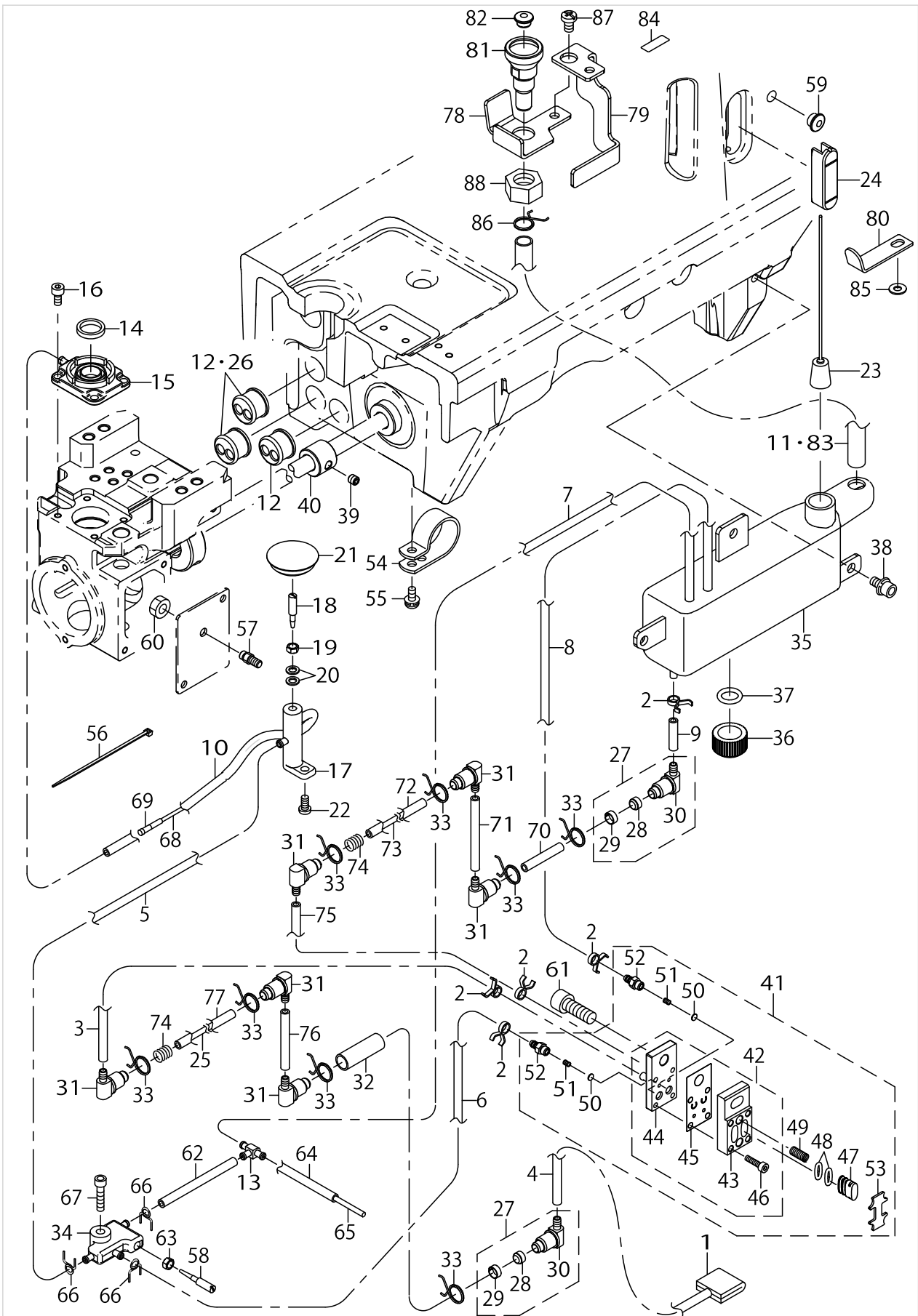


LUBRICATION COMPONENTS (FOR LU-2810,2810-7,2818-7,2810-7/X73178)

No.	Parts No.	Parts name	Remarks	Level	Cons	Qty
1	40112320	FELT				1
2	13142609	OIL TUBE HOLDER				5
3	23630007	TUBE				0.1
4	23630007	TUBE				0.4
5	23630007	TUBE				0.12
6	23630007	TUBE				0.08
7	23630007	TUBE				0.31
8	23630007	TUBE				0.4
9	23630007	TUBE				0.02
10	23630007	TUBE				0.22
11	23630106	TUBE_B	FOR LU-2810,2810-7, 2810-7/X73178			0.32
12	22935308	MAGNET_CORD_RUBBER				2
13	13765607	OIL_CONNEC_ARM				1
14	40112318	OIL_SUPPLY_FELT				1
15	40112246	OIL_SUPPLY				1
16	SM6040802TP	SCREW_M4X0.7_L=8				4
17	40069741	OIL_REGULATING_VALVE				1
18	B1843563000	OIL_ADJUSTING_SCREW				1
19	NS6110310SP	NUT_11/64-40_				1
20	WP0450846SP	WASHER				2
21	40028294	FEED_ADJUSTING_CAP				1
22	SM4040855SP	SCREW				1
23	23628357	FLOATERASM.				1
24	40036167	OIL_GAGE				1
25	CQ303000000	OIL WICK				0.26
26	22935308	MAGNETCORDRUBBER	FOR LU-2810-7,2810-7/X73178			3
27	23630650	OIL_FILTER_JOINT_ASM.				2
28	23630403	OIL_FILTER_STOPPER		*	☆	1
29	23630502	OIL_FILTER		*		1
30	23630601	OIL_FILTER_JOINT		*		1
31	23630601	OIL_FILTER_JOINT				6
32	23630106	TUBE_B				0.03
33	23629405	PIPE STOPPER B				8
34	40032804	BASE				1
35	40125929	OIL_TANK				1
36	40013595	OIL_EXIT_CAP				1
37	RO098240100	RUBBER_RING				1
38	SL6051092TN	BOLT				3
39	SM8050512TP	SCREW				1
40	40101721	ECCENTRIC_CAM				1
41	40101719	PUMP_BASE_ASSY				1
42	40102249	PUMP_BASE_ASM.		*		1
43	40101715	PUMP_BASE_TOP		*		1
44	40101716	PUMP_BASE_BOTTOM		*		1
45	40101717	GASKET_SHEET		*		1
46	SM6031202TP	SCREW_M3X0.5_L=12		*		4
47	40101713	OVAL_PLUNGER		*		2



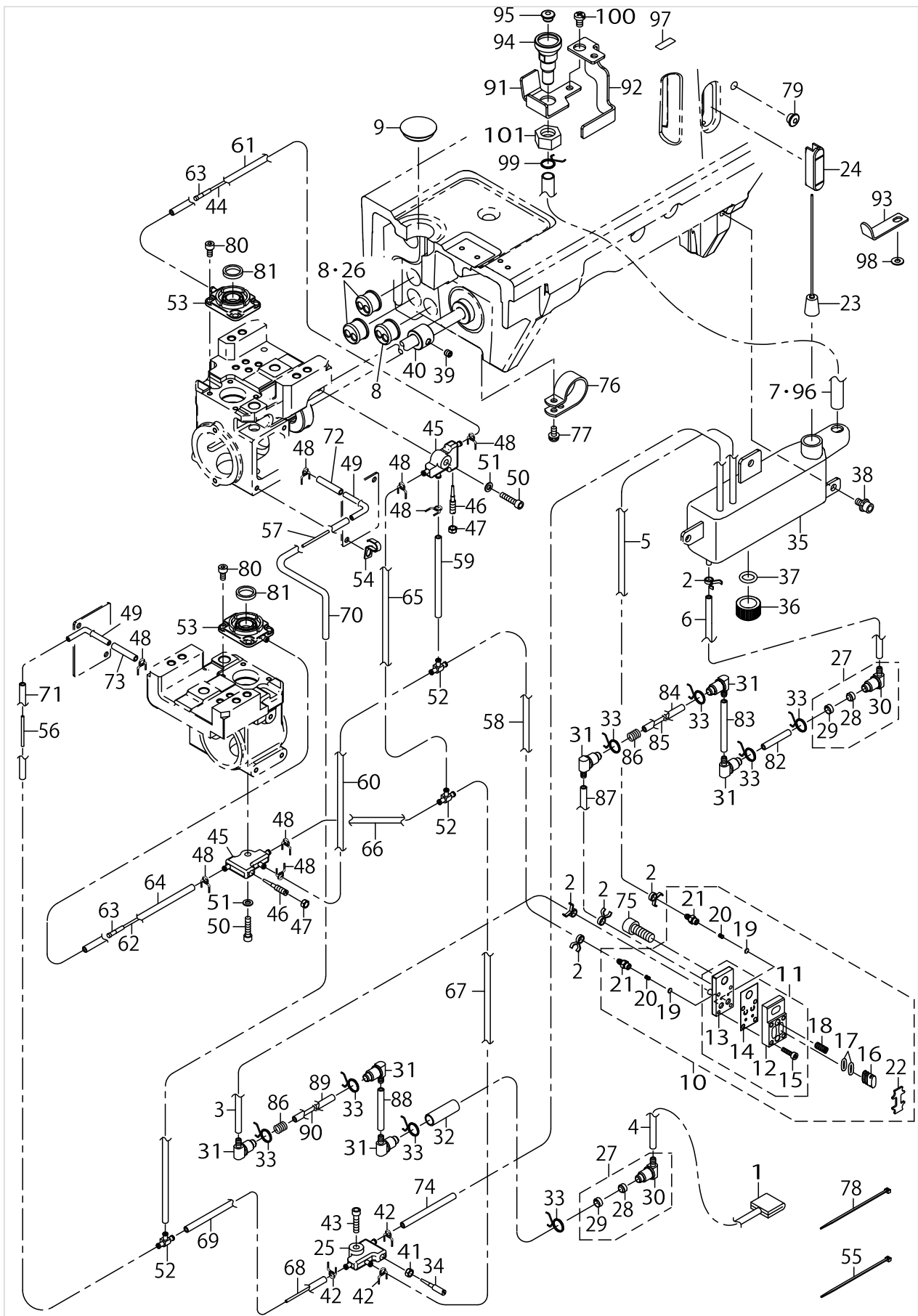
LUBRICATION COMPONENTS (FOR LU-2810,2810-7,2818-7,2810-7/X73178)



LUBRICATION COMPONENTS (FOR LU-2810,2810-7,2818-7,2810-7/X73178)

No.	Parts No.	Parts name	Remarks	Level	Cons	Qty
48	40116455	OVAL_O_RING		*		4
49	40116456	SPRING		*		2
50	40116457	FREE_VALVE		*		2
51	40116458	SPRING		*		2
52	40116459	CONNECTING_SCREW		*		2
53	40101714	PLUNGER_HOLD_PLATE		*		1
54	HX00150000M	CABLE_CLIP				1
55	SL4041091SC	SCREW M4 L=10				1
56	EA9500B0100	CABLE_BAND				4
57	SQ2050452MZ	CONNECTING_SCREW				1
58	B1843563000	OIL ADJUSTING SCREW				1
59	40126582	RUBBER_PLUG	FOR LU-2810,2810-7, 2810-7/X73178			1
60	NM6050003SC	NUT_M5X0.8				1
61	SM6061802TP	SCREW_M6_L=18				1
62	23630007	TUBE				0.06
63	NS6110310SP	NUT 11/64-40				1
64	23630007	TUBE				0.28
65	CQ202000000	COTTON OIL WICK D=2				0.05
66	13142609	OIL TUBE HOLDER				3
67	SM6041802TP	SCREW M4 L=18				1
68	CQ202000000	OIL WICK				0.18
69	11015906	OIL WICK				2
70	23630007	TUBE				0.03
71	23630007	TUBE				0.05
72	23630106	TUBE B				0.09
73	CQ303000000	OIL WICK				0.26
74	12210803	SPRING				2
75	23630007	TUBE				0.1
76	23630007	TUBE				0.04
77	23630106	TUBE B				0.09
78	40147956	INLET_PLATE	FOR LU-2818-7			1
79	40155370	TUBE HOLDER A	FOR LU-2818-7			1
80	40155371	TUBE HOLDER B	FOR LU-2818-7			1
81	40155440	LUBRICATING INLET	FOR LU-2818-7			1
82	40126582	RUBBER_PLUG	FOR LU-2818-7			1
83	23630106	TUBE B	FOR LU-2818-7			0.35
84	B1140761000	OILING LABEL	FOR LU-2818-7			1
85	WP0450801SP	WASHER	FOR LU-2818-7			1
86	23629405	PIPE STOPPER B	FOR LU-2818-7			1
87	SM4050855SP	SCREW	FOR LU-2818-7			1
88	NM6120001CP	NUT M12	FOR LU-2818-7			1

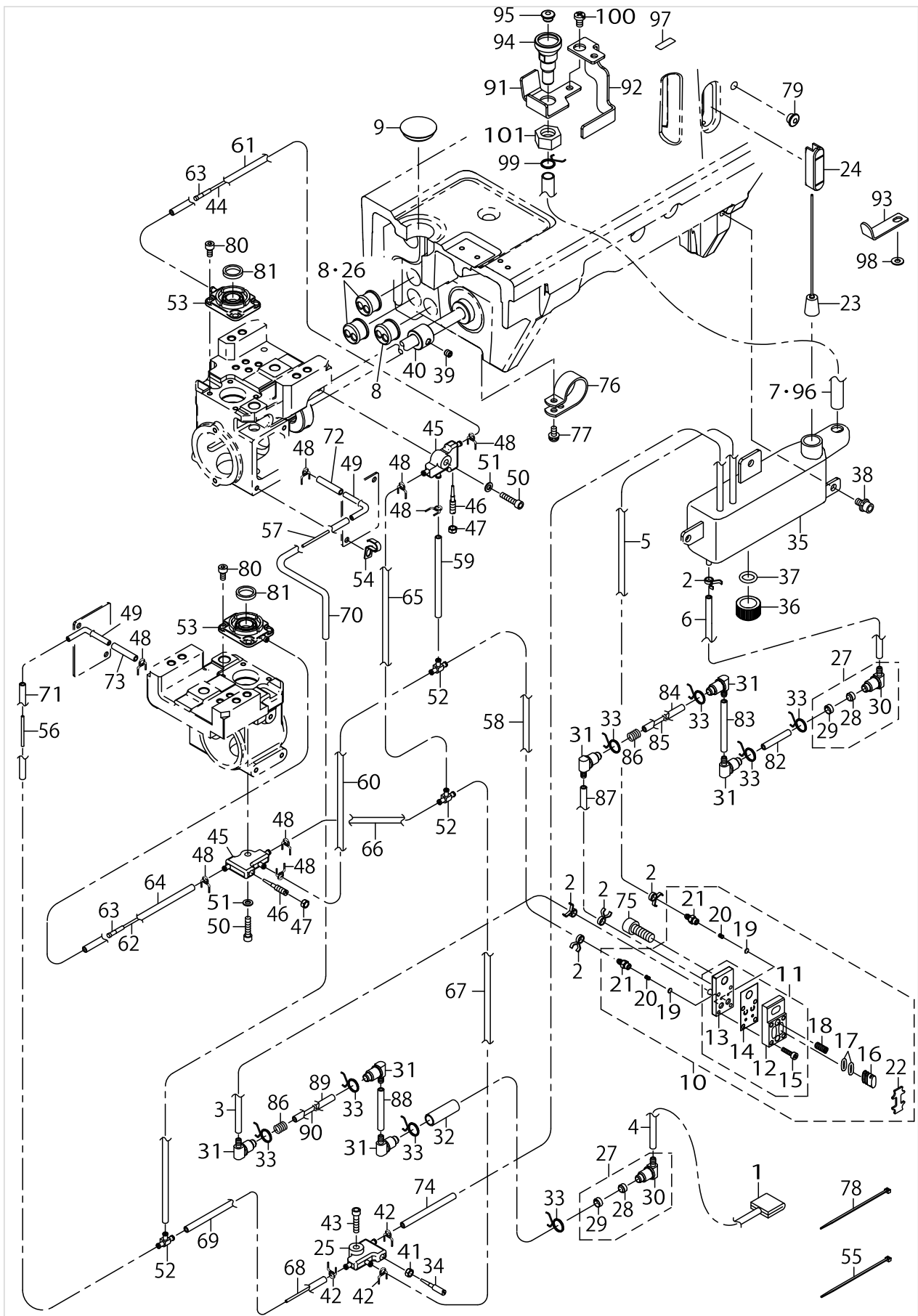
LUBRICATION COMPONENTS (FOR LU-2860,2860-7,2868-7)



LUBRICATION COMPONENTS (FOR LU-2860,2860-7,2868-7)

No.	Parts No.	Parts name	Remarks	Level	Cons	Qty
1	40112320	FELT				1
2	13142609	OIL TUBE HOLDER				5
3	23630007	TUBE				0.1
4	23630007	TUBE				0.4
5	23630007	TUBE				0.4
6	23630007	TUBE				0.02
7	23630106	TUBE_B	FOR LU-2860,2860-7			0.32
8	22935308	MAGNET_CORD_RUBBER				2
9	40028294	FEED_ADJUSTING_CAP				1
10	40101719	PUMP_BASE_ASSY				1
11	40102249	PUMP_BASE_ASM.		*		1
12	40101715	PUMP_BASE_TOP		*		1
13	40101716	PUMP_BASE_BOTTOM		*		1
14	40101717	GASKET_SHEET		*		1
15	SM6031202TP	SCREW_M3X0.5_L=12		*		4
16	40101713	OVAL_PLUNGER		*		2
17	40116455	OVAL_O_RING		*		4
18	40116456	SPRING		*		2
19	40116457	FREE_VALVE		*		2
20	40116458	SPRING		*		2
21	40116459	CONNECTING_SCREW		*		2
22	40101714	PLUNGER_HOLD_PLATE		*		1
23	23628357	FLOATER_ASM.				1
24	40036167	OIL_GAGE				1
25	40032804	BASE				1
26	22935308	MAGNET CORD RUBBER	FOR LU-2860-7			3
27	23630650	OIL_FILTER_JOINT_ASM.				2
28	23630403	OIL_FILTER_STOPPER		*	☆	1
29	23630502	OIL_FILTER		*		1
30	23630601	OIL_FILTER_JOINT		*		1
31	23630601	OIL_FILTER_JOINT				6
32	23630106	TUBE_B				0.03
33	23629405	PIPE STOPPER B				8
34	B1843563000	OIL ADJUSTING SCREW				1
35	40125929	OIL_TANK				1
36	40013595	OIL_EXIT_CAP				1
37	RO098240100	RUBBER_RING				1
38	SL6051092TN	BOLT				3
39	SM8050512TP	SCREW				1
40	40101721	ECCENTRIC_CAM				1
41	NS6110310SP	NUT 11/64-40				1
42	13142609	OIL TUBE HOLDER				3
43	SM6041802TP	SCREW M4 L=18				1
44	CQ202000000	OIL WICK				0.15
45	40032804	BASE				2
46	B1834512000A	OIL ADJUSTING SCREW				2
47	NS6110310SP	HEXAGONAL NUT 11/64-40				2

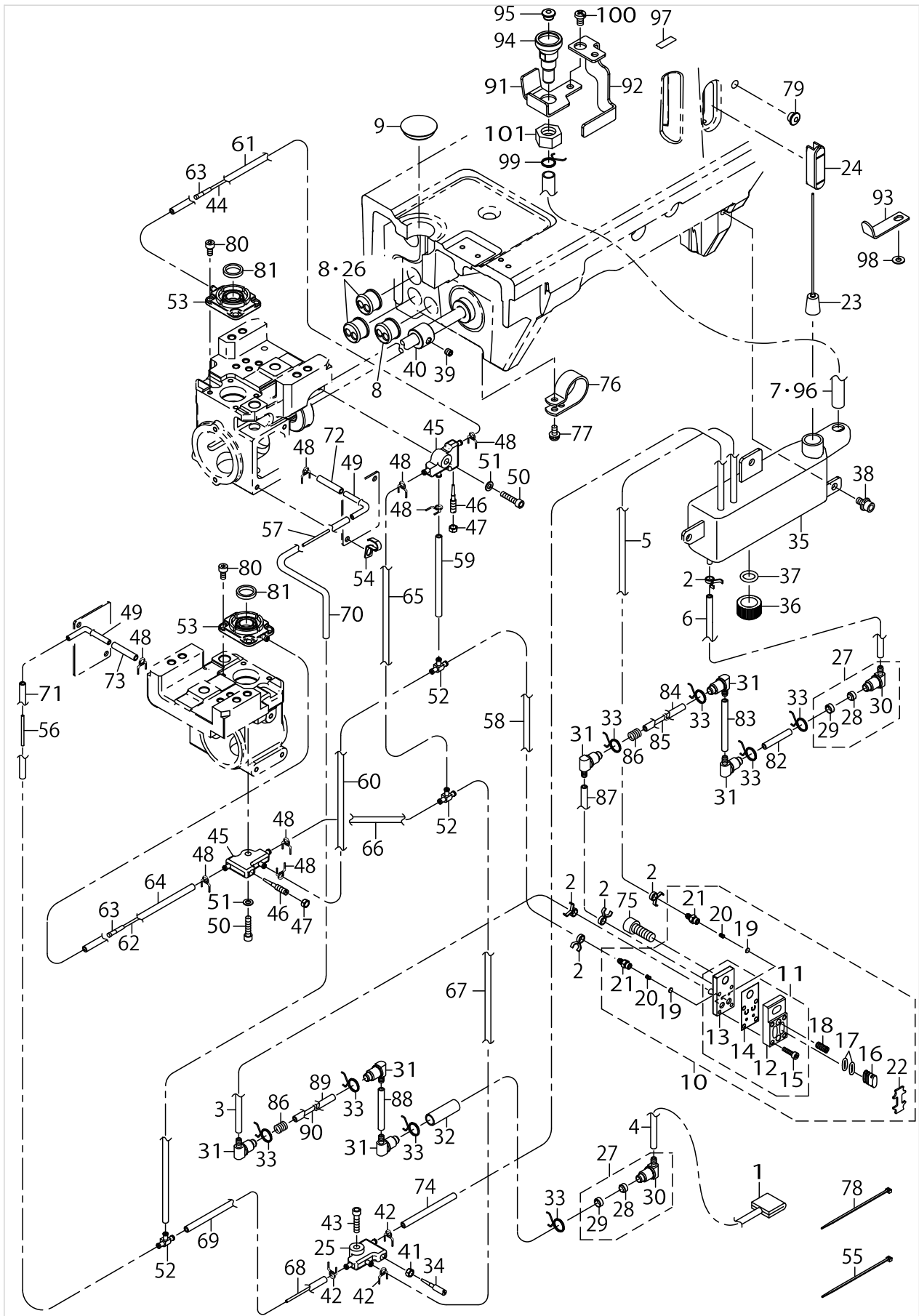
LUBRICATION COMPONENTS (FOR LU-2860,2860-7,2868-7)



LUBRICATION COMPONENTS (FOR LU-2860,2860-7,2868-7)

No.	Parts No.	Parts name	Remarks	Level	Cons	Qty
48	13142609	OIL TUBE HOLDER				8
49	22923908	HOOK DRIVING SHAFT OILING PIPE				2
50	SM6041802TP	SCREW M4 L=18				2
51	WP0430800SD	WASHER M4				2
52	13765607	OIL CONNEC. ARM				3
53	40112246	OIL_SUPPLY				2
54	26231902	OIL WICK PIPE STOPPER				1
55	EA9500B0100	CABLE_BAND				2
56	CQ202000000	COTTON OIL WICK D=2				0.03
57	CQ202000000	COTTON OIL WICK D=2				0.03
58	23630007	TUBE				0.19
59	23630007	TUBE				0.08
60	23630007	TUBE				0.145
61	23630007	TUBE				0.195
62	CQ202000000	OIL WICK				0.16
63	11015906	OIL WICK				4
64	23630007	TUBE				0.16
65	23630007	TUBE				0.065
66	23630007	TUBE				0.11
67	23630007	TUBE				0.18
68	CQ202000000	OIL WICK				0.1
69	23630007	TUBE				0.12
70	23630007	TUBE				0.13
71	23630007	TUBE				0.095
72	23630007	TUBE				0.026
73	23630007	TUBE				0.026
74	23630007	TUBE				0.33
75	SM6061802TP	SCREW_M6_L=18				1
76	HX00150000M	CABLE CLIP				1
77	SL4041091SC	SCREW M4 L=10				1
78	EA9500B0100	CABLE_BAND				5
79	40126582	RUBBER_PLUG	FOR LU-2860,2860-7			1
80	SM6040802TP	SCREW_M4X0.7_L=8				8
81	40112318	OIL_SUPPLY_FELT				2
82	23630007	TUBE				0.03
83	23630007	TUBE				0.05
84	23630106	TUBE B				0.09
85	CQ303000000	OIL WICK				0.26
86	12210803	SPRING				2
87	23630007	TUBE				0.1
88	23630007	TUBE				0.04
89	23630106	TUBE B				0.09
90	CQ303000000	OIL WICK				0.26
91	40147956	INLET_PLATE	FOR LU-2868-7			1
92	40155370	TUBE HOLDER A	FOR LU-2868-7			1
93	40155371	TUBE HOLDER B	FOR LU-2868-7			1
94	40155440	LUBRICATING INLET	FOR LU-2868-7			1

LUBRICATION COMPONENTS (FOR LU-2860,2860-7,2868-7)

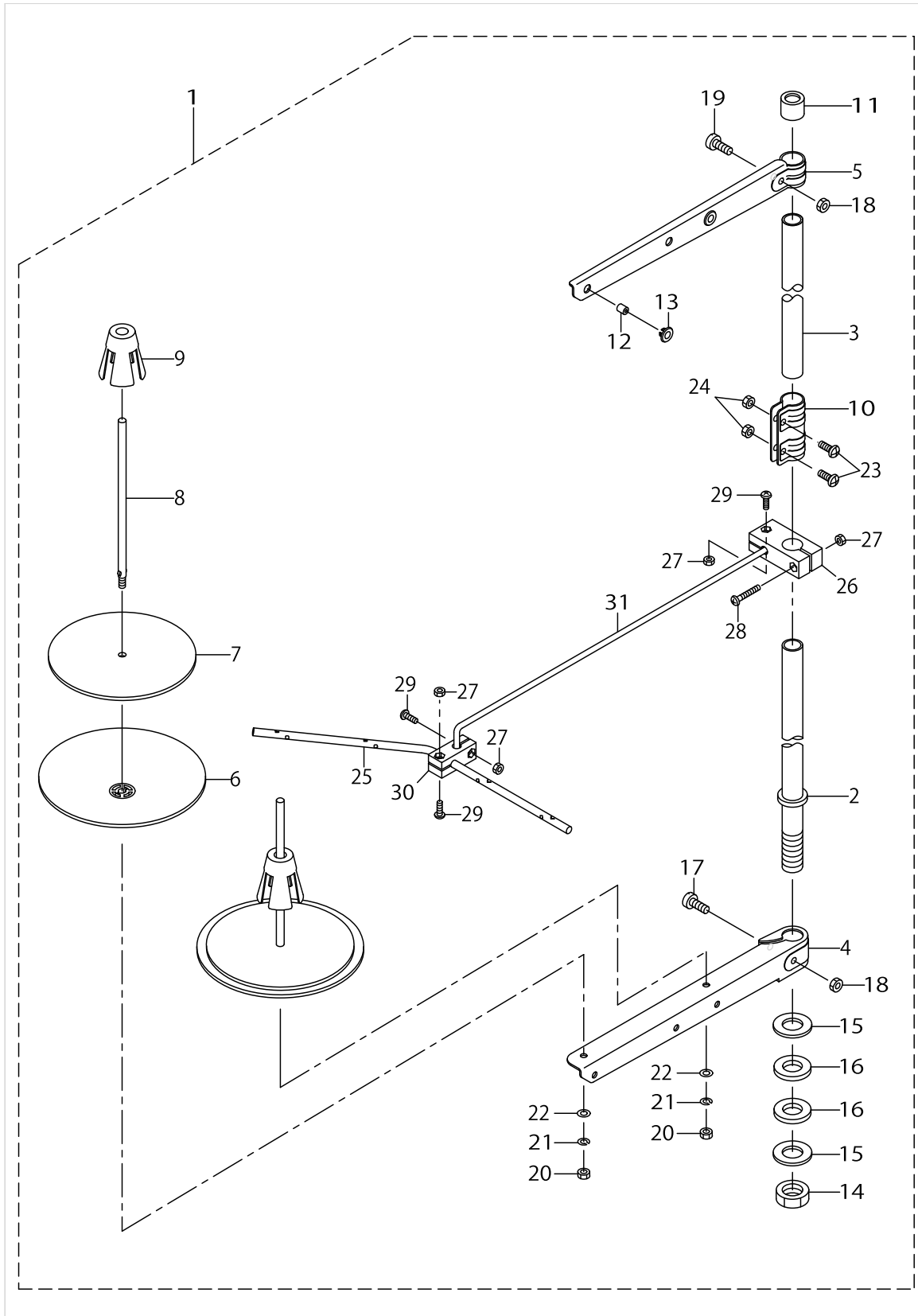


LUBRICATION COMPONENTS (FOR LU-2860,2860-7,2868-7)

No.	Parts No.	Parts name	Remarks	Level	Cons	Qty
95	40126582	RUBBER_PLUG	FOR LU-2868-7			1
96	23630106	TUBE B	FOR LU-2868-7			0.35
97	B1140761000	OILING LABEL	FOR LU-2868-7			1
98	WP0450801SP	WASHER	FOR LU-2868-7			1
99	23629405	PIPE STOPPER B	FOR LU-2868-7			1
100	SM4050855SP	SCREW	FOR LU-2868-7			1
101	NM6120001CP	NUT M12	FOR LU-2868-7			1



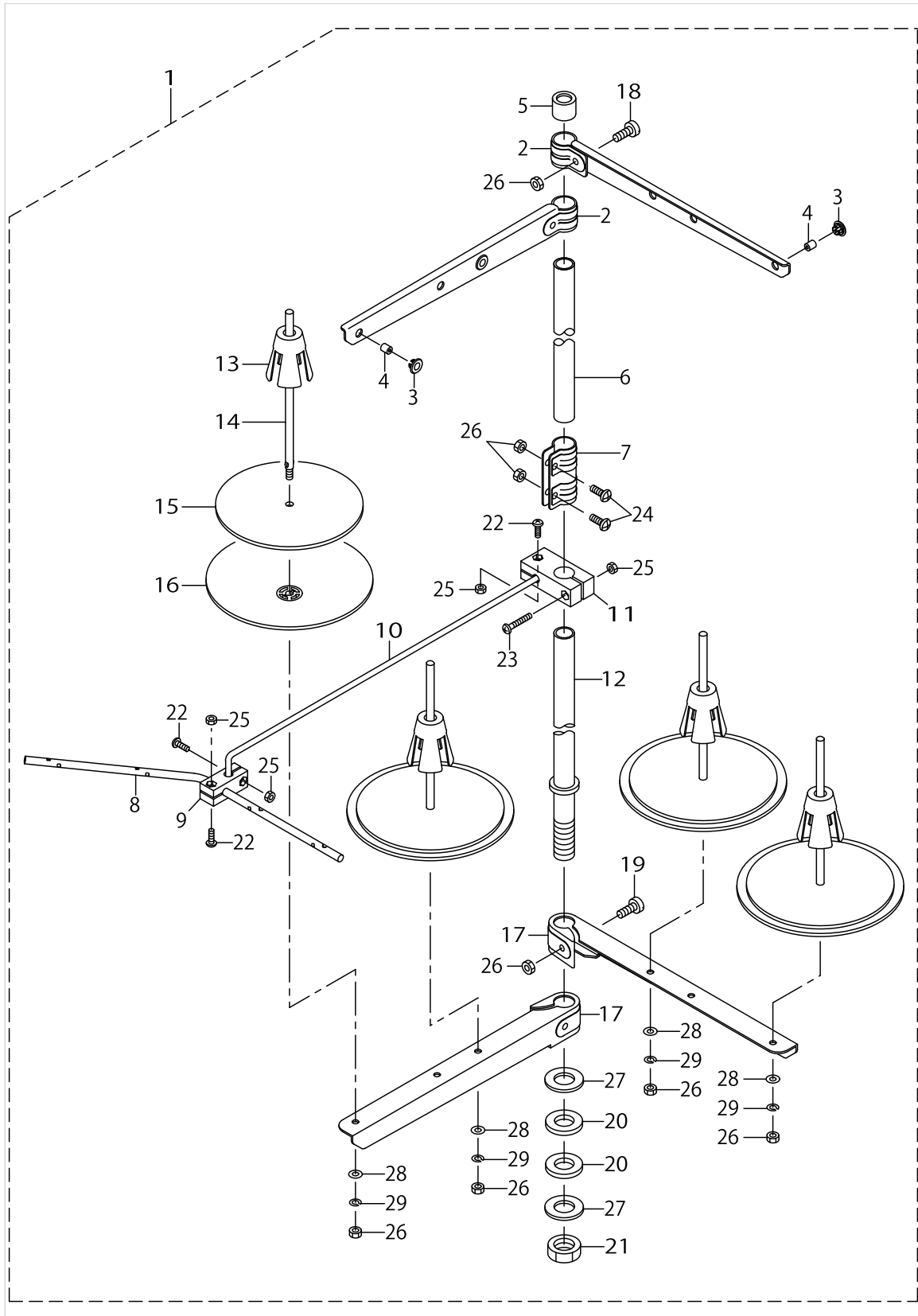
THREAD STAND COMPONENTS (FOR LU-2810,2810-7,2818-7,2810-7/X73178)



THREAD STAND COMPONENTS (FOR LU-2810,2810-7,2818-7,2810-7/X73178)

No.	Parts No.	Parts name	Remarks	Level	Cons	Qty
1	40142213	THREAD_STAND_PACKING				1
2	40085784	SPOOL_REST_ROD_LOWER		*		1
3	40085785	SPOOL_REST_ROD_UPPER		*		1
4	40085786	SPOOL_REST_ARM_LOWER		*		1
5	40085787	SPOOL_REST_ARM_UPPER		*		1
6	40085788	SPOOL_REST		*		2
7	40085789	SPOOL_REST_CUSHION		*		2
8	40085790	SPOOL_PIN		*		2
9	40085791	SPOOL_RETAINER		*		2
10	40085792	SPOOL_REST_ROD_JOINT		*		1
11	40085793	SPOOL_REST_ROD_RUBBER_CAP		*		1
12	40085794	THREAD_GUIDE		*		2
13	40085795	THREAD_GUIDE_BUSHING		*		2
14	40096325	SPOOL_REST_ROD_NUT		*		1
15	WP1612616SE	WASHER_16X30X2.6		*		2
16	40085796	SPOOL_REST_ROD_RUBBER_CUSHION		*		2
17	40096326	SPOOL_REST_ARM_LOWER_SCREW		*		1
18	NM6050001SE	NUT_M5		*		2
19	40096327	SPOOL_REST_ARM_UPPER_SCREW		*		1
20	NM6050001SE	NUT_M5		*		2
21	WS0510002KN	SPRING_WASHER_M5		*		2
22	WP0531001SC	WASHER_M5		*		2
23	SM4051405SE	SCREW_M5_L=14		*		2
24	NM6050001SE	NUT_M5		*		2
25	40106582	THREAD_GUIDE_4		*		1
26	40106579	THREAD_GUIDE_ARM_BASE		*		1
27	NM6040002SC	NUT_M4		*		4
28	SM4042501SC	SCREW_M4X0.7_L=25		*		1
29	SM4041201SC	SCREW_M4_L=12		*		3
30	40106580	THREAD_GUIDE_UNDER_BASE		*		1
31	40106576	THREAD_GUIDE_ARM		*		1

THREAD STAND COMPONENTS (FOR LU-2860,2860-7,2868-7)



THREAD STAND COMPONENTS (FOR LU-2860,2860-7,2868-7)

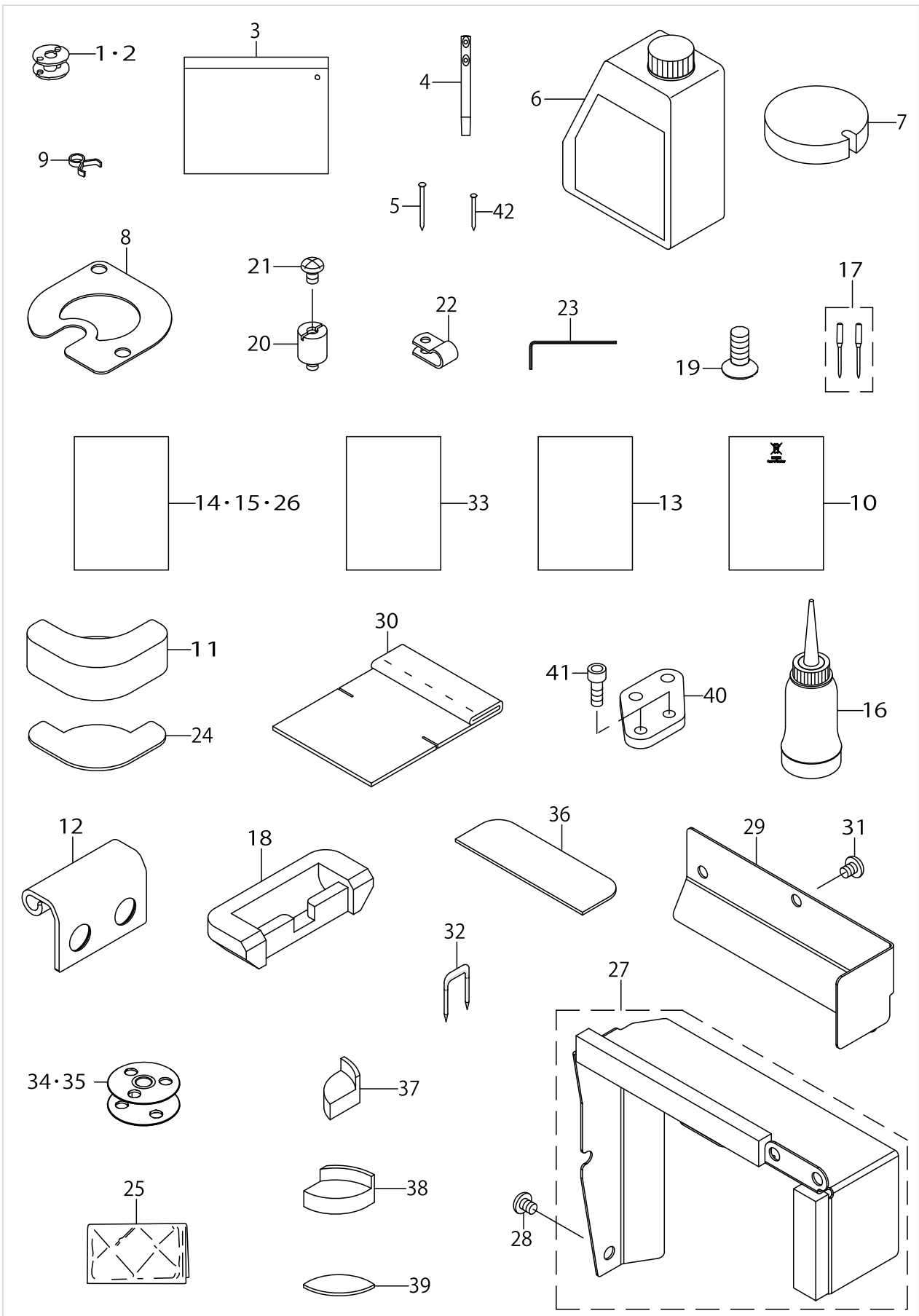
No.	Parts No.	Parts name	Remarks	Level	Cons	Qty
1	40106584	THREAD STAND PACKING				1
2	40085787	SPOOL REST ARM UPPER		*		2
3	40085795	THREAD GUIDE BUSHING		*		4
4	40085794	THREAD GUIDE		*		4
5	40085793	SPOOL REST ROD RUBBER CAP		*		1
6	40085785	SPOOL REST ROD UPPER		*		1
7	40085792	SPOOL REST ROD JOINT		*		1
8	40106582	THREAD GUIDE 4		*		1
9	40106580	THREAD GUIDE UNDER BASE		*		1
10	40106576	THREAD GUIDE ARM		*		1
11	40106579	THREAD GUIDE ARM BASE		*		1
12	40085784	SPOOL REST ROD LOWER		*		1
13	40085791	SPOOL RETAINER		*		4
14	40085790	SPOOL PIN		*		4
15	40085789	SPOOL REST CUSHION		*		4
16	40085788	SPOOL REST		*		4
17	40085786	SPOOL REST ARM LOWER		*		2
18	40096327	SPOOL REST ARM UPPER SCREW		*		2
19	40096326	SPOOL REST ARM LOWER SCREW		*		2
20	40085796	SPOOL REST ROD RUBBER CUSHION		*		2
21	40096325	SPOOL REST ROD NUT		*		1
22	SM4041201SC	SCREW M4 L=12		*		3
23	SM4042501SC	SCREW M4X0.7 L=25		*		1
24	SM4051405SE	SCREW M5 L=14		*		2
25	NM6040002SC	NUT M4		*		4
26	NM6050001SE	NUT M5		*		10
27	WP1612616SE	WASHER 16X30X2.6		*		2
28	WP0531001SC	WASHER M5		*		4
29	WS0510002KN	SPRING WASHER M5		*		4



BOTTOM COVER & BELT COVER COMPONENTS

No.	Parts No.	Parts name	Remarks	Level	Cons	Qty
1	40126155	OIL_PAN				1
2	SK3482001SE	WOOD SCREW D=4.8 L=20				10
3	40126543	BELT_COVER	FOR LU-2810,2860			1
4	40143069	KNEE LIFTER JOINT ASM.	FOR LU-2810,2860			1
5	40143070	KNEE LIFTER JOINT		*		1
6	40143071	PRESSER SPRING		*		1
7	SM6040602TP	SCREW M4 L=6		*		1
8	22932453	BRACKET ASM.	FOR LU-2810,2860			1
9	22932404	BRACKET		*		1
10	22934707	SCREW		*		2
11	21343157	KNEE PRESS PLATE ASM.	FOR LU-2810,2860			1
12	SM9061203SE	SCREW M6 L=12		*		1
13	21343108	KNEE PRESS LEVER		*		1
14	22934509	KNEE PAD PLATE COVER		*		1
15	22934400	KNEE PAD PLATE RUBBER		*		1
16	22934202	KNEE PAD PLATE		*		1
17	22934301	KNEE PAD PLATE SUPPORT		*		1
18	40126560	ASSY_BELT_COVER_B2	FOR LU-2810,2860			1
19	40112296	BELT_COVER_B_COMPL.		*		1
20	40112314	BELT_COVER_B		*		1
21	40112313	BELT_COVER_B_LID_ASM.		*		1
22	SK3412000SC	WOOD SCREW D=4.1 L=20		*		2
23	WP0501016SD	WASHER 5X10.5X1		*		2
24	SM4051055SP	SCREW	FOR LU-2810,2860			3

ACCESSORIES PARTS COMPONENTS



ACCESSORIES PARTS COMPONENTS

No.	Parts No.	Parts name	Remarks	Level	Cons	Qty
1	21334800	ALUMINUM BOBBIN WITH KNURL	FOR LU-2810,2810-7		☆	1
2	21334800	ALUMINUM BOBBIN WITH KNURL	FOR LU-2860,2860-7		☆	2
3	21413158	ACCESSORY BAG ASM.				1
4	22958300	NEEDLE THREAD GUIDE PIN	FOR LU-2860,2860-7,2868-7			1
5	10539906	SET NAIL				14
6	40102087	JUKI_MACHINE_OIL_7				1
7	40126405	OIL_FILTER				1
8	40126267	FELT HOLDER				1
9	23629306	PIPE STOPPER A				2
10	CM600100201	WEEE INFORMATION SHEET	FOR JE			1
11	40151800	CUSHION_RUBBER				2
12	40125869	HINGE				2
13	40142430	DECLARATION OF INCORPORATION (LU2800)	FOR JE			1
14	40151455	INSTRUCTION_MANUAL_1K	FOR CHINA			1
15	40151456	INSTRUCTION_MANUAL_4K	EXCEPT CHINA			1
16	B91210120A0	OILER ASM.				1
17	M13517B1602	NEEDLE 135X17 #160-2			☆	1
18	40151801	HINGE_RUBBER				2
19	B1516210D00	SCREW				4
20	40126222	CP_SPACER	FOR LU-2810-7,2860-7 2818-7- ,2868-7, 2810-7/X73178			2
21	SM4050855SP	SCREW	FOR LU-2810-7,2860-7 2818-7- ,2868-7, 2810-7/X73178			2
22	HX00150000B	CABLE CLIP	FOR LU-2810-7,2860-7 2818-7- ,2868-7, 2810-7/X73178			2
23	40079298	WRENCH				1
24	10740900	RUBBER				8
25	40048536	HEAD_COVER				1
26	40151457	INSTRUCTION_MANUAL_9K	FOR JE			1
27	40131916	OIL_SHIELD_PLATE_ASSY	FOR LU-2810,2810-7,2818-7, 2810-7/X73178			1
28	SM4050655SP	SCREW M5 L=6	FOR LU-2810,2810-7,2818-7, 2810-7/X73178			4
29	40131580	OIL_SHIELD_PLATE	FOR LU-2860,2860-7,2868-7			1
30	40133730	OIL FILTER				1
31	SM4050655SP	SCREW M5 L=6	FOR LU-2860,2860-7,2868-7			2
32	MAO11532000	CORD STAPLE	FOR LU-2810-7,2860-7 2818-7- ,2868-7, 2810-7/X73178			3
33	40151458	PARTS_LIST				1
34	40147913	BOBBIN	FOR LU-2818-7		☆	1
35	40147913	BOBBIN	FOR LU-2868-7		☆	2
36	40151802	SPACER_RUBBER				8
37	40151803	RUBBER_CUSHION_LEFT				1
38	40151804	RUBBER_CUSHION_RIGHT				1
39	40151805	RUBBER_CUSHION_SHEET				4
40	40112214	EDGE_GUIDE_FITTING_PLATE				1
41	SM6051402TP	SCREW M5X0.8 L=14				2
42	22926208	SET NAIL				2



TABLE OF EXCHANGING GAUGE PARTS (FOR LU-2810,2810-7,2818-7)

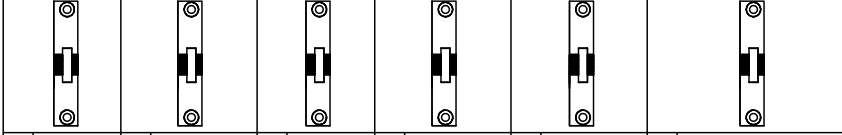
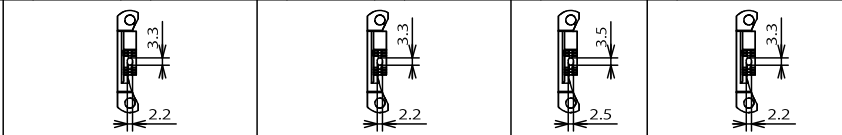
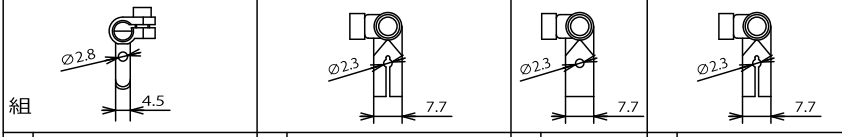

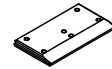
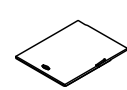
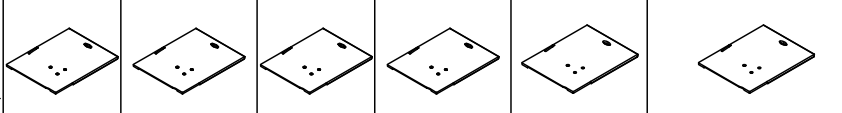


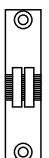
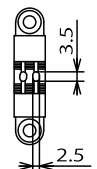
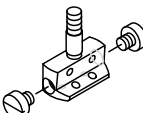
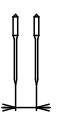
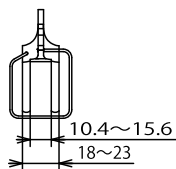
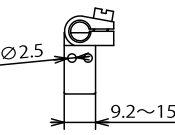
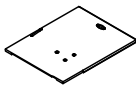
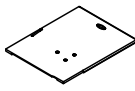
Item 品名	Standar gauge 標準ゲージ				Europe gauge ヨーロッパゲージ							
	LU-2810S		LU-2810S-7		LU-2810A		LU-2810A-7		LU-2818A-7		LU-2810A-7/X73178	
Throat plate 針板												
	No.	Part No.	No.	Part No.	No.	Part No.	No.	Part No.	No.	Part No.	No.	Part No.
	1	401-12212	2	401-26349	3	401-12211	4	401-26350	5	401-47949	6	401-26350
Feed dog 送り歯												
	No.	Part No.		No.	Part No.		No.	Part No.		No.	Part No.	
	7	401-33270		8	401-33272		9	401-25925		10	401-33272	
Working foot asm. 送り足組												
	No.	Part No.		No.	Part No.		No.	Part No.		No.	Part No.	
	11	401-43061		12	107-11653		13	107-12354		14	107-11653	
Presser foot asm. 押え足組												
	No.	Part No.		No.	Part No.							
	15	213-50152		16	107-12552							
Slide plate (front) 正面滑り板												
	No.	Part No.										
	17	401-47918										
Slide plate (left) 滑り板 左												
	No.	Part No.										
	18	401-12224										
Slide plate (right) 滑り板 右												
	No.	Part No.	No.	Part No.	No.	Part No.	No.	Part No.	No.	Part No.	No.	Part No.
	19	401-42215	20	401-12225	19	401-42215	20	401-12225	21	401-47944	22	401-47944

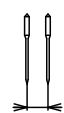


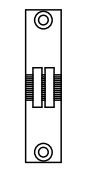
TABLE OF EXCHANGING GAUGE PARTS (FOR LU-2810,2810-7,2818-7)

No.	Parts No.	Parts name	Remarks	Level	Cons	Qty
1	40112212	THROAT_PLATE_2810_S				1
2	40126349	THROAT_PLATE_2810				1
3	40112211	THROAT_PLATE_2810_E				1
4	40126350	THROAT_PLATE_2810				1
5	40147949	THROAT_PLATE_2818AL				1
6	40126350	THROAT_PLATE_2810				1
7	40133270	FEED_DOG_S(2.2X3.3)				1
8	40133272	FEED_DOS_E(2.2X3.3)				1
9	40125925	FEED_DOG_E				1
10	40133272	FEED_DOS_E(2.2X3.3)				1
11	40143061	WALKING_FOOT_ASM				1
12	10711653	FEED FOOT ASM.				1
13	10712354	FEED FOOT ASM.				1
14	10711653	FEED FOOT ASM.				1
15	21350152	PRESSER FOOT ASM.				1
16	10712552	PRESSER FOOT ASM.				1
17	40147918	SLIDE_PLATE_FRONT				1
18	40112224	SLIDE_PLATE_2810L				1
19	40142215	SLIDE_PLATE_2810R_N				1
20	40112225	SLIDE_PLATE_2810R				1
21	40147944	SLIDE_PLATE_2810R				1
22	40147944	SLIDE_PLATE_2810R				1

TABLE OF EXCHANGING GAUGE PARTS (FOR LU-2860,2860-7,2868-7)

Needle gauge size 針 幅	Throat plate 針 板				Feed dog 送 り 歯		Needle clamp asm. 針 留 め 組			
	LU-2860S		LU-2860S-7		LU-2860S,LU-2860S-7		LU-2860S,LU-2860S-7			
Code コード										
	inch	mm	No.	Part No.	No.	Part No.	No.	Part No.	No.	Part No.
D	3/16	4.8	1	401-27004	5	401-27023	9	401-26146	13	213-68154
F	1/4	6.4	2	401-27005	6	401-27024	10	401-26147	14	213-68253
H	5/16	7.9	3	401-27006	7	401-27025	11	401-26148	15	213-68352
K	3/8	9.5	4	401-27007	8	401-27026	12	401-26149	16	213-68451

Needle gauge size 針 幅	Presser foot asm. 押 え 足 組		Walking foot asm. 送 り 足 組		Slide plate 滑 り 板					
	LU-2860S,LU-2860S-7		LU-2860S,LU-2860S-7		LU-2860,LU-2860-7		LU-2868A-7			
Code コード										
	inch	mm	No.	Part No.	No.	Part No.	No.	Part No.	No.	Part No.
D	3/16	4.8	17	213-67651	21	213-67156	25	401-27056	26	401-47945
F	1/4	6.4	18	213-67750	22	213-67255				
H	5/16	7.9	19	213-67859	23	213-67354				
K	3/8	9.5	20	213-67958	24	213-67453				

Needle gauge size 針 幅	Throat plate 針 板				Feed dog 送 り 歯				
	LU-2860A		LU-2860A-7		LU-2868A-7				
Code コード									
	mm	No.	Part No.	No.	Part No.	No.	Part No.		
B	6	27	401-26976	31	401-26986	35	401-47951	39	401-26142
C	8	28	401-26977	32	401-26987	36	401-47952	40	401-26143
D	10	29	401-26978	33	401-26988	37	401-47953	41	401-26144
E	12	30	401-26979	34	401-26989	38	401-47954	42	401-26145

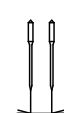
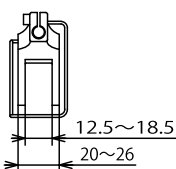
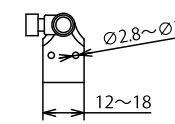

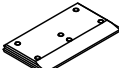
Needle gauge size 針 幅	Presser foot asm. 押 え 足 組		Walking foot asm. 送 り 足 組		Needle clamp asm. 針 留 め 組		Slide plate front 正面滑り板			
	LU-2860A,LU-2860A-7 LU-2868A-7		LU-2860A,LU-2860A-7 LU-2868A-7		LU-2860A,LU-2860A-7 LU-2868A-7		LU-2860A,LU-2860A-7 LU-2868A-7			
Code コード										
	mm	No.	Part No.	No.	Part No.	No.	Part No.	No.	Part No.	
B	6	43	107-81656	47	401-35589	51	400-38778	55	401-47918	
C	8	44	107-81755	48	401-35590	52	400-38776			
D	10	45	107-81854	49	400-38898	53	400-38774			
E	12	46	107-81953	50	400-95748	54	400-38772			

TABLE OF EXCHANGING GAUGE PARTS (FOR LU-2860,2860-7,2868-7)

No.	Parts No.	Parts name	Remarks	Level	Cons	Qty
1	40127004	THROAT_PLATE_S(3/16)				1
2	40127005	THROAT_PLATE_S(1/4)				1
3	40127006	THROAT_PLATE_S(5/16)				1
4	40127007	THROAT_PLATE_S(3/8)				1
5	40127023	THROAT_PLATE_S7(3/16)				1
6	40127024	THROAT_PLATE_S7(1/4)				1
7	40127025	THROAT_PLATE_S7(5/16)				1
8	40127026	THROAT_PLATE_S7(3/8)				1
9	40126146	FEED_DOG_S_(3/16)				1
10	40126147	FEED_DOG_S_(1/4)				1
11	40126148	FEED_DOG_S_(5/16)				1
12	40126149	FEED_DOG_S_(3/8)				1
13	21368154	NEEDLE CLAMP 3/16 ASM.				1
14	21368253	NEEDLE CLAMP 1/4 ASM.				1
15	21368352	NEEDLE CLAMP 5/16 ASM.				1
16	21368451	NEEDLE CLAMP 3/8 ASM.				1
17	21367651	PRESSER FOOT ASM. 3/16				1
18	21367750	PRESSER FOOT ASM. 1/4				1
19	21367859	PRESSER FOOT ASM. 5/16				1
20	21367958	PRESSER FOOT ASM. 3/8				1
21	21367156	WALKING FOOT 3/16 ASM.				1
22	21367255	WALKING FOOT 1/4 ASM.				1
23	21367354	WALKING FOOT 5/16 ASM.				1
24	21367453	WALKING FOOT 3/8 ASM.				1
25	40127056	SLIDE_PLATE_2860R				1
26	40147945	SLIDE_PLATE_2860R				1
27	40126976	THROAT_PLATE_E(6)				1
28	40126977	THROAT_PLATE_E(8)				1
29	40126978	THROAT_PLATE_E(10)				1
30	40126979	THROAT_PLATE_E(12)				1
31	40126986	THROAT_PLATE_E7(6)				1
32	40126987	THROAT_PLATE_E7(8)				1
33	40126988	THROAT_PLATE_E7(10)				1
34	40126989	THROAT_PLATE_E7(12)				1
35	40147951	THROAT_PLATE_60LA_6MM				1
36	40147952	THROAT_PLATE_60LA_8MM				1
37	40147953	THROAT_PLATE_60LA_10MM				1
38	40147954	THROAT_PLATE_60LA_12MM				1
39	40126142	FEED_DOG_(6MM)				1
40	40126143	FEED_DOG_(8MM)				1
41	40126144	FEED_DOG_E_(10MM)				1
42	40126145	FEED_DOG_E_(12MM)				1
43	10781656	PRESSER FOOT ASM. 6MM				1
44	10781755	PRESSER FOOT ASM. 8MM				1
45	10781854	PRESSER FOOT ASM.				1
46	10781953	PRESSER FOOT ASM. 12MM				1
47	40135589	WALKING_FOOT_ASM(6MM)				1

TABLE OF EXCHANGING GAUGE PARTS (FOR LU-2860,2860-7,2868-7)

Needle gauge size 針 幅	Throat plate 針 板				Feed dog 送 り 歯		Needle clamp asm. 針 留 め 組			
	LU-2860S		LU-2860S-7		LU-2860S,LU-2860S-7		LU-2860S,LU-2860S-7			
Code コード										
	inch	mm	No.	Part No.	No.	Part No.	No.	Part No.		
D	3/16	4.8	1	401-27004	5	401-27023	9	401-26146	13	213-68154
F	1/4	6.4	2	401-27005	6	401-27024	10	401-26147	14	213-68253
H	5/16	7.9	3	401-27006	7	401-27025	11	401-26148	15	213-68352
K	3/8	9.5	4	401-27007	8	401-27026	12	401-26149	16	213-68451

Needle gauge size 針 幅	Presser foot asm. 押 え 足 組		Walking foot asm. 送 り 足 組		Slide plate 滑 り 板					
	LU-2860S,LU-2860S-7		LU-2860S,LU-2860S-7		LU-2860,LU-2860-7		LU-2868A-7			
Code コード										
	inch	mm	No.	Part No.	No.	Part No.	No.	Part No.	No.	Part No.
D	3/16	4.8	17	213-67651	21	213-67156	25	401-27056	26	401-47945
F	1/4	6.4	18	213-67750	22	213-67255				
H	5/16	7.9	19	213-67859	23	213-67354				
K	3/8	9.5	20	213-67958	24	213-67453				

Needle gauge size 針 幅	Throat plate 針 板				Feed dog 送 り 歯				
	LU-2860A		LU-2860A-7		LU-2868A-7				
Code コード									
	mm	No.	Part No.	No.	Part No.	No.	Part No.		
B	6	27	401-26976	31	401-26986	35	401-47951	39	401-26142
C	8	28	401-26977	32	401-26987	36	401-47952	40	401-26143
D	10	29	401-26978	33	401-26988	37	401-47953	41	401-26144
E	12	30	401-26979	34	401-26989	38	401-47954	42	401-26145

Needle gauge size 針 幅	Presser foot asm. 押 え 足 組		Walking foot asm. 送 り 足 組		Needle clamp asm. 針 留 め 組		Slide plate front 正面滑り板			
	LU-2860A,LU-2860A-7 LU-2868A-7		LU-2860A,LU-2860A-7 LU-2868A-7		LU-2860A,LU-2860A-7 LU-2868A-7		LU-2860A,LU-2860A-7 LU-2868A-7			
Code コード										
	mm	No.	Part No.	No.	Part No.	No.	Part No.	No.	Part No.	
B	6	43	107-81656	47	401-35589	51	400-38778	55	401-47918	
C	8	44	107-81755	48	401-35590	52	400-38776			
D	10	45	107-81854	49	400-38898	53	400-38774			
E	12	46	107-81953	50	400-95748	54	400-38772			

TABLE OF EXCHANGING GAUGE PARTS (FOR LU-2860,2860-7,2868-7)

No.	Parts No.	Parts name	Remarks	Level	Cons	Qty
48	40135590	WALKING_FOOT_ASM(8MM)				1
49	40038898	FEED FOOT(10MM 60L)ASM.				1
50	40095748	FEED_FOOT(12MM_60L)ASM.				1
51	40038778	NEEDLE CLAMP(6MM)ASM.				1
52	40038776	NEEDLE CLAMP(8MM)ASM.				1
53	40038774	NEEDLE CLAMP(10MM)ASM.				1
54	40038772	NEEDLE CLAMP(12MM)ASM.				1
55	40147918	SLIDE_PLATE_FRONT				1

TABLE OF EXCHANGING GAUGE PARTS SET

• LU-2860S,2860S-7

GAUGE SET ゲージセット			THROAT PLATE S 針板(糸切りなし)		THROAT PLATE S7 針板(糸切り有り)		FEED DOG 送り歯		NEEDLE CLAMP ASM. 針留め(組)		PRESSER FOOT ASM. 押え足(組)		FEED FOOT ASM. 送り足(組)	
No.	Part No.	Name	No.	Part No.	No.	Part No.	No.	Part No.	No.	Part No.	No.	Part No.	No.	Part No.
1	401-50791	GAUGE SET 3/16(NTC)	9	401-27004			17	401-26146	21	213-68154	25	213-67651	29	213-67156
2	401-50803	GAUGE SET 3/16(TC)			13	401-27023								
3	401-50792	GAUGE SET 1/4(NTC)	10	401-27005			18	401-26147	22	213-68253	26	213-67750	30	213-67255
4	401-50804	GAUGE SET 1/4(TC)			14	401-27024								
5	401-50793	GAUGE SET 5/16(NTC)	11	401-27006			19	401-26148	23	213-68352	27	213-67859	31	213-67354
6	401-50805	GAUGE SET 5/16(TC)			15	401-27025								
7	401-50794	GAUGE SET 3/8(NTC)	12	401-27007			20	401-26149	24	213-68451	28	213-67958	32	213-67453
8	401-50806	GAUGE SET 3/8(TC)			16	401-27026								

A slide plate is not contained in the contents of composition of a gauge set.  
ゲージセットの構成内容に滑り板は含まれません

• LU-2860A,2860A-7

GAUGE SET ゲージセット			THROAT PLATE A 針板(糸切りなし)		THROAT PLATE A7 針板(糸切り有り)		FEED DOG 送り歯		NEEDLE CLAMP ASM. 針留め(組)		PRESSER FOOT ASM. 押え足(組)		FEED FOOT ASM. 送り足(組)	
No.	Part No.	Name	No.	Part No.	No.	Part No.	No.	Part No.	No.	Part No.	No.	Part No.	No.	Part No.
33	401-50762	GAUGE SET 6MM(NTC)	41	401-26976	45	401-26986	49	401-26142	53	400-38778	57	107-81656	61	401-35589
34	401-50777	GAUGE SET 6MM(TC)												
35	401-50763	GAUGE SET 8MM(NTC)	42	401-26977	46	401-26987	50	401-26143	54	400-38776	58	107-81755	62	401-35590
36	401-50778	GAUGE SET 8MM(TC)												
37	401-50764	GAUGE SET 10MM(NTC)	43	401-26978	47	401-26988	51	401-26144	55	400-38774	59	107-81854	63	400-38898
38	401-50779	GAUGE SET 10MM(TC)												
39	401-50765	GAUGE SET 12MM(NTC)	44	401-26979	48	401-26989	52	401-26145	56	400-38772	60	107-81953	64	400-95748
40	401-50780	GAUGE SET 12MM(TC)												

A slide plate is not contained in the contents of composition of a gauge set.  
ゲージセットの構成内容に滑り板は含まれません

• LU-2868A-7

GAUGE SET ゲージセット			THROAT PLATE A 針板(糸切りなし)		THROAT PLATE A7 針板(糸切り有り)		FEED DOG 送り歯		NEEDLE CLAMP ASM. 針留め(組)		PRESSER FOOT ASM. 押え足(組)		FEED FOOT ASM. 送り足(組)	
No.	Part No.	Name	No.	Part No.	No.	Part No.	No.	Part No.	No.	Part No.	No.	Part No.	No.	Part No.
65	401-55973	GAUGE SET 6MM(P=12糸切り付き)	-	-	69	401-47951	49	401-26142	53	400-38778	57	107-81656	61	401-35589
66	401-55974	GAUGE SET 8MM(P=12糸切り付き)	-	-	70	401-47952	50	401-26143	54	400-38776	58	107-81755	62	401-35590
67	401-55975	GAUGE SET 10MM(P=12糸切り付き)	-	-	71	401-47953	51	401-26144	55	400-38774	59	107-81854	63	400-38898
68	401-55976	GAUGE SET 12MM(P=12糸切り付き)	-	-	72	401-47954	52	401-26145	56	400-38772	60	107-81953	64	400-95748

A slide plate is not contained in the contents of composition of a gauge set.  
ゲージセットの構成内容に滑り板は含まれません

• LU-2868A-7

12MM to 9MM EXCHANGE GAGE SET 12mm→9mm交換ゲージセット			THROAT PLATE A 針板(糸切りなし)		THROAT PLATE A7 針板(糸切り有り)		FEED DOG 送り歯		NEEDLE CLAMP ASM. 針留め(組)		PRESSER FOOT ASM. 押え足(組)		FEED FOOT ASM. 送り足(組)		STOPPER PIN 送りダイヤルストップバーピン	
No.	Part No.	Name	No.	Part No.	No.	Part No.	No.	Part No.	No.	Part No.	No.	Part No.	No.	Part No.	No.	Part No.
73	401-55979	GAUGE SET 6MM(P=9交換糸切り付き)	-	-	45	401-26986	49	401-26142	53	400-38778	57	107-81656	61	401-35589		
74	401-55980	GAUGE SET 8MM(P=9交換糸切り付き)	-	-	46	401-26987	50	401-26143	54	400-38776	58	107-81755	62	401-35590		
75	401-55981	GAUGE SET 10MM(P=9交換糸切り付き)	-	-	47	401-26988	51	401-26144	55	400-38774	59	107-81854	63	400-38898		
76	401-55982	GAUGE SET 12MM(P=9交換糸切り付き)	-	-	48	401-26989	52	401-26145	56	400-38772	60	107-81953	64	400-95748	77	PH-0400062-C0

A 12mm to 9mm exchange gauge set becomes the composition of the [9mm gauge set] + [sending dial stopper pin].  
12mm→9mm交換ゲージセットは[9mmのゲージセット]+[送りダイヤルストップバーピン]の構成になります。

A slide plate is not contained in the contents of composition of a gauge set.  
ゲージセットの構成内容に滑り板は含まれません

• LU-2818A-7

12MM to 9MM EXCHANGE GAGE SET 12mm→9mm交換ゲージセット			THROAT PLATE 針板		STOPPER PIN 送りダイヤルストップバーピン	
No.	Part No.	Name	No.	Part No.	No.	Part No.
78	401-56013	P=9交換糸切り付き	79	401-26350	77	PH-0400062-C0

A 12mm to 9mm exchange gauge set becomes the composition of the [9mm throat plate] + [sending dial stopper pin].  
12mm→9mm交換ゲージセットは[9mm針板]+[送りダイヤルストップバーピン]の構成になります。

A slide plate is not contained in the contents of composition of a gauge set.  
ゲージセットの構成内容に滑り板は含まれません

TABLE OF EXCHANGING GAUGE PARTS SET

No.	Parts No.	Parts name	Remarks	Level	Cons	Qty
1	40150791	GAUGE_SET_3/16(NTC)				1
2	40150803	GAUGE_SET_3/16(TC)				1
3	40150792	GAUGE_SET_1/4(NTC)				1
4	40150804	GAUGE_SET_1/4(TC)				1
5	40150793	GAUGE_SET_5/16(NTC)				1
6	40150805	GAUGE_SET_5/16(TC)				1
7	40150794	GAUGE_SET_3/8(NTC)				1
8	40150806	GAUGE_SET_3/8(TC)				1
9	40127004	THROAT_PLATE_S(3/16)				1
10	40127005	THROAT_PLATE_S(1/4)				1
11	40127006	THROAT_PLATE_S(5/16)				1
12	40127007	THROAT_PLATE_S(3/8)				1
13	40127023	THROAT_PLATE_S7(3/16)				1
14	40127024	THROAT_PLATE_S7(1/4)				1
15	40127025	THROAT_PLATE_S7(5/16)				1
16	40127026	THROAT_PLATE_S7(3/8)				1
17	40126146	FEED_DOG_S_(3/16)				1
18	40126147	FEED_DOG_S_(1/4)				1
19	40126148	FEED_DOG_S_(5/16)				1
20	40126149	FEED_DOG_S_(3/8)				1
21	21368154	NEEDLE CLAMP 3/16 ASM.				1
22	21368253	NEEDLE CLAMP 1/4 ASM.				1
23	21368352	NEEDLE CLAMP 5/16 ASM.				1
24	21368451	NEEDLE CLAMP 3/8 ASM.				1
25	21367651	PRESSER FOOT ASM. 3/16				1
26	21367750	PRESSER FOOT ASM. 1/4				1
27	21367859	PRESSER FOOT ASM. 5/16				1
28	21367958	PRESSER FOOT ASM. 3/8				1
29	21367156	WALKING FOOT 3/16 ASM.				1
30	21367255	WALKING FOOT 1/4 ASM.				1
31	21367354	WALKING FOOT 5/16 ASM.				1
32	21367453	WALKING FOOT 3/8 ASM.				1
33	40150762	GAUGE_SET_6MM(NTC)				1
34	40150777	GAUGE_SET_6MM(TC)				1
35	40150763	GAUGE_SET_8MM(NTC)				1
36	40150778	GAUGE_SET_8MM(TC)				1
37	40150764	GAUGE_SET_10MM(NTC)				1
38	40150779	GAUGE_SET_10MM(TC)				1
39	40150765	GAUGE_SET_12MM(NTC)				1
40	40150780	GAUGE_SET_12MM(TC)				1
41	40126976	THROAT_PLATE_E(6)				1
42	40126977	THROAT_PLATE_E(8)				1
43	40126978	THROAT_PLATE_E(10)				1
44	40126979	THROAT_PLATE_E(12)				1
45	40126986	THROAT_PLATE_E7(6)				1
46	40126987	THROAT_PLATE_E7(8)				1
47	40126988	THROAT_PLATE_E7(10)				1



TABLE OF EXCHANGING GAUGE PARTS SET

• LU-2860S,2860S-7

GAUGE SET ゲージセット			THROAT PLATE S 針板(糸切りなし)		THROAT PLATE S7 針板(糸切り有り)		FEED DOG 送り歯		NEEDLE CLAMP ASM. 針留め(組)		PRESSER FOOT ASM. 押え足(組)		FEED FOOT ASM. 送り足(組)	
No.	Part No.	Name	No.	Part No.	No.	Part No.	No.	Part No.	No.	Part No.	No.	Part No.	No.	Part No.
1	401-50791	GAUGE SET 3/16(NTC)	9	401-27004			17	401-26146	21	213-68154	25	213-67651	29	213-67156
2	401-50803	GAUGE SET 3/16(TC)			13	401-27023								
3	401-50792	GAUGE SET 1/4(NTC)	10	401-27005			18	401-26147	22	213-68253	26	213-67750	30	213-67255
4	401-50804	GAUGE SET 1/4(TC)			14	401-27024								
5	401-50793	GAUGE SET 5/16(NTC)	11	401-27006			19	401-26148	23	213-68352	27	213-67859	31	213-67354
6	401-50805	GAUGE SET 5/16(TC)			15	401-27025								
7	401-50794	GAUGE SET 3/8(NTC)	12	401-27007			20	401-26149	24	213-68451	28	213-67958	32	213-67453
8	401-50806	GAUGE SET 3/8(TC)			16	401-27026								

A slide plate is not contained in the contents of composition of a gauge set.  
ゲージセットの構成内容に滑り板は含まれません

• LU-2860A,2860A-7

GAUGE SET ゲージセット			THROAT PLATE A 針板(糸切りなし)		THROAT PLATE A7 針板(糸切り有り)		FEED DOG 送り歯		NEEDLE CLAMP ASM. 針留め(組)		PRESSER FOOT ASM. 押え足(組)		FEED FOOT ASM. 送り足(組)	
No.	Part No.	Name	No.	Part No.	No.	Part No.	No.	Part No.	No.	Part No.	No.	Part No.	No.	Part No.
33	401-50762	GAUGE SET 6MM(NTC)	41	401-26976	45	401-26986	49	401-26142	53	400-38778	57	107-81656	61	401-35589
34	401-50777	GAUGE SET 6MM(TC)												
35	401-50763	GAUGE SET 8MM(NTC)	42	401-26977	46	401-26987	50	401-26143	54	400-38776	58	107-81755	62	401-35590
36	401-50778	GAUGE SET 8MM(TC)												
37	401-50764	GAUGE SET 10MM(NTC)	43	401-26978	47	401-26988	51	401-26144	55	400-38774	59	107-81854	63	400-38898
38	401-50779	GAUGE SET 10MM(TC)												
39	401-50765	GAUGE SET 12MM(NTC)	44	401-26979	48	401-26989	52	401-26145	56	400-38772	60	107-81953	64	400-95748
40	401-50780	GAUGE SET 12MM(TC)												

A slide plate is not contained in the contents of composition of a gauge set.  
ゲージセットの構成内容に滑り板は含まれません

• LU-2868A-7

GAUGE SET ゲージセット			THROAT PLATE A 針板(糸切りなし)		THROAT PLATE A7 針板(糸切り有り)		FEED DOG 送り歯		NEEDLE CLAMP ASM. 針留め(組)		PRESSER FOOT ASM. 押え足(組)		FEED FOOT ASM. 送り足(組)	
No.	Part No.	Name	No.	Part No.	No.	Part No.	No.	Part No.	No.	Part No.	No.	Part No.	No.	Part No.
65	401-55973	GAUGE SET 6MM(P=12糸切り付き)	-	-	69	401-47951	49	401-26142	53	400-38778	57	107-81656	61	401-35589
66	401-55974	GAUGE SET 8MM(P=12糸切り付き)	-	-	70	401-47952	50	401-26143	54	400-38776	58	107-81755	62	401-35590
67	401-55975	GAUGE SET 10MM(P=12糸切り付き)	-	-	71	401-47953	51	401-26144	55	400-38774	59	107-81854	63	400-38898
68	401-55976	GAUGE SET 12MM(P=12糸切り付き)	-	-	72	401-47954	52	401-26145	56	400-38772	60	107-81953	64	400-95748

A slide plate is not contained in the contents of composition of a gauge set.  
ゲージセットの構成内容に滑り板は含まれません

• LU-2868A-7

12MM to 9MM EXCHANGE GAGE SET 12mm→9mm交換ゲージセット			THROAT PLATE A 針板(糸切りなし)		THROAT PLATE A7 針板(糸切り有り)		FEED DOG 送り歯		NEEDLE CLAMP ASM. 針留め(組)		PRESSER FOOT ASM. 押え足(組)		FEED FOOT ASM. 送り足(組)		STOPPER PIN 送りダイヤルストップバーピン	
No.	Part No.	Name	No.	Part No.	No.	Part No.	No.	Part No.	No.	Part No.	No.	Part No.	No.	Part No.	No.	Part No.
73	401-55979	GAUGE SET 6MM(P=9交換糸切り付き)	-	-	45	401-26986	49	401-26142	53	400-38778	57	107-81656	61	401-35589		
74	401-55980	GAUGE SET 8MM(P=9交換糸切り付き)	-	-	46	401-26987	50	401-26143	54	400-38776	58	107-81755	62	401-35590		
75	401-55981	GAUGE SET 10MM(P=9交換糸切り付き)	-	-	47	401-26988	51	401-26144	55	400-38774	59	107-81854	63	400-38898		
76	401-55982	GAUGE SET 12MM(P=9交換糸切り付き)	-	-	48	401-26989	52	401-26145	56	400-38772	60	107-81953	64	400-95748	77	PH-0400062-C0

A 12mm to 9mm exchange gauge set becomes the composition of the [9mm gauge set] + [sending dial stopper pin].  
12mm→9mm交換ゲージセットは[9mmのゲージセット]+[送りダイヤルストップバーピン]の構成になります。

A slide plate is not contained in the contents of composition of a gauge set.  
ゲージセットの構成内容に滑り板は含まれません

• LU-2818A-7

12MM to 9MM EXCHANGE GAGE SET 12mm→9mm交換ゲージセット			THROAT PLATE 針板		STOPPER PIN 送りダイヤルストップバーピン	
No.	Part No.	Name	No.	Part No.	No.	Part No.
78	401-56013	P=9交換糸切り付き	79	401-26350	77	PH-0400062-C0

A 12mm to 9mm exchange gauge set becomes the composition of the [9mm throat plate] + [sending dial stopper pin].  
12mm→9mm交換ゲージセットは[9mm針板]+[送りダイヤルストップバーピン]の構成になります。

A slide plate is not contained in the contents of composition of a gauge set.  
ゲージセットの構成内容に滑り板は含まれません

TABLE OF EXCHANGING GAUGE PARTS SET

No.	Parts No.	Parts name	Remarks	Level	Cons	Qty
48	40126989	THROAT_PLATE_E7(12				1
49	40126142	FEED_DOG_(6MM)				1
50	40126143	FEED_DOG_(8MM)				1
51	40126144	FEED_DOG_E_(10MM)				1
52	40126145	FEED_DOG_E_(12MM)				1
53	40038778	NEEDLE_CLAMP(6MM)ASM.				1
54	40038776	NEEDLE_CLAMP(8MM)ASM.				1
55	40038774	NEEDLE_CLAMP(10MM)ASM.				1
56	40038772	NEEDLE_CLAMP(12MM)ASM.				1
57	10781656	PRESSER FOOT ASM. 6MM				1
58	10781755	PRESSER FOOT ASM. 8MM				1
59	10781854	PRESSER FOOT ASM.				1
60	10781953	PRESSER FOOT ASM. 12MM				1
61	40135589	WALKING_FOOT_ASM(6MM)				1
62	40135590	WALKING_FOOT_ASM(8MM)				1
63	40038898	FEED FOOT(10MM 60L)ASM.				1
64	40095748	FEED_FOOT(12MM_60L)ASM.				1
65	40155973	GAUGE_SET_6MM(P=12_TC)				1
66	40155974	GAUGE_SET_8MM(P=12_TC)				1
67	40155975	GAUGE_SET_10MM(P=12_TC)				1
68	40155976	GAUGE_SET_12MM(P=12_TC)				1
69	40147951	THROAT_PLATE_60LA_6MM				1
70	40147952	THROAT_PLATE_60LA_8MM				1
71	40147953	THROAT_PLATE_60LA_10MM				1
72	40147954	THROAT_PLATE_60LA_12MM				1
73	40155979	EXCHANGE_GAUGE_SET_6MM(P=9_TC)				1
74	40155980	EXCHANGE_GAUGE_SET_8MM(P=9_TC)				1
75	40155981	EXCHANGE_GAUGE_SET_10MM(P=9_TC)				1
76	40155982	EXCHANGE_GAUGE_SET_12MM(P=9_TC)				1
77	PH0400062C0	PIN				1
78	40156013	EXCHANGE_GAUGE_SET_1N(P=9_TC)				1
79	40126350	THROAT_PLATE_2810				1

TABLE OF OPTIONAL GAUGE PARTS

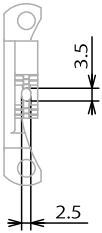
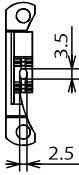
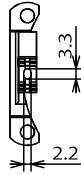
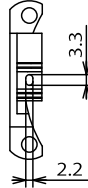
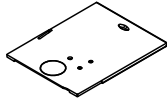
Item 品名	LU-2810S,S-7	LU-2810A,A-7	LU-2818A-7	LU-2868A-7		
Feed dog 送り歯						
		No.	Part No.		No.	Part No.
		2	401-33273		3	401-33272
		No.	Part No.		Without groove. 溝なし	
		4	107-17205			
No.	Part No.	For fine yarn 細糸用				
1	401-33271	5	107-17304			
Item 品名	LU-2810S,S-7	LU-2810A,A-7	LU-2818A-7	LU-2868A-7		
Slide plate (With a window) 滑り板 (窓付)						
	No.	Part No.	No.	Part No.		
	6	401-33312	7	401-55087		
			8	401-56017		

TABLE OF OPTIONAL GAUGE PARTS

No.	Parts No.	Parts name	Remarks	Level	Cons	Qty
1	40133271	FEED_DOG_S(2.5X3.5)				1
2	40133273	FEED_DOS_E(2.5X3.5)				1
3	40133272	FEED_DOS_E(2.2X3.3)				1
4	10717205	FEED DOG,W10 GROOVE				1
5	10717304	FEED DOG (THIN THREAD)				1
6	40133312	SLIDE_PLATE_2810-7R_ASM				1
7	40155087	SLIDE_PLATE_1N_ASM				1
8	40156017	SLIDE_PLATE_2N_ASM				1

TABLE OF OPTIONAL GAUGE PARTS (FOR LU-2810S,2810S-7)

For piping パイピング用					Right-edge presser 右片押え					
		Feed foot 送り足		Presser foot asm. 押え足 (組)				Presser foot asm. 押え足 (組)		
Size(mm)		No.	Part No.	No.	Part No.	No.	Part No.	No.	Part No.	
Ø4.8mm(3/16)		1	B1478-245-000	2	B1530-245-0AD	20	B1476-245-00A	21	B1529-245-0AA	
Ø6.4mm(1/4)				3	B1530-245-0AF	Left-edge presser 左片押え				
Ø7.9mm(5/16)				4	B1530-245-0AH					
Ø9.5mm(3/8)				5	B1530-245-0AK					
Size(mm)		No.	Part No.	No.	Part No.	No.	Part No.	No.	Part No.	
Ø4.8mm(3/16)		6	B1479-245-00D	9	B1531-245-0AD	22	103-38309	23	B1525-563-5A0	
Ø6.4mm(1/4)		7	B1479-245-00F	10	B1531-245-0AF	Slit スリット入り				
Ø7.9mm(5/16)		8	B1479-245-00H	11	B1531-245-0AH					
Ø9.5mm(3/8)		-	-	-	-					
Size(mm)		No.	Part No.	No.	Part No.	No.	Part No.	No.	Part No.	
Ø4.8mm(3/16)		12	B1474-245-00D	16	B1527-245-0AD	24	B1470-245-000	25	B1524-245-0A0	
Ø6.4mm(1/4)		13	B1474-245-00F	17	B1527-245-0AF	For binding テープ付け用				
Ø7.9mm(5/16)		14	B1474-245-00H	18	B1527-245-0AH					
Ø9.5mm(3/8)		15	B1474-245-00K	19	B1527-245-0AK					
Size(mm)		No.	Part No.	No.	Part No.	No.	Part No.	No.	Part No.	
Ø4.8mm(3/16)						26	MAQ-09307000			
Ø6.4mm(1/4)										
Size(mm)		No.	Part No.	No.	Part No.	No.	Part No.	No.	Part No.	
Ø4.8mm(3/16)						27	MAN-10452000	28	MAQ-093080A0	

TABLE OF OPTIONAL GAUGE PARTS (FOR LU-2810S,2810S-7)

No.	Parts No.	Parts name	Remarks	Level	Cons	Qty
1	B1478245000	INNER PRESSER				1
2	B15302450AD	OUTER PRESSER FOOT ASM.,3/16.				1
3	B15302450AF	OUTER PRESSER FOOT 1/4 ASM.				1
4	B15302450AH	OUTER PRESSER FOOT ASM. (5/16)				1
5	B15302450AK	OUTER PRESSER FOOT ASM. (3/8)				1
6	B147924500D	CENTER PRESSER FOOT 3/16				1
7	B147924500F	BACK CUT INNER PRESSER 1/4				1
8	B147924500H	BACK CUT INNER PRESSER 5/16				1
9	B15312450AD	OUTER PRESSER FOOT ASM. 3116				1
10	B15312450AF	OUTER PRESSER ASM., 1/4				1
11	B15312450AH	FEEDING FRAME 5/16 ASM.				1
12	B147424500D	INNER PRESSER (BLADE) 3/16				1
13	B147424500F	WALKING FOOT, F				1
14	B147424500H	INNER PRESSER 5/16				1
15	B147424500K	CENTER PRESSER FOOT 3/8				1
16	B15272450AD	FEEDING FRAME 3/16 ASM.				1
17	B15272450AF	OUTER PRESSER ASM., 1/4				1
18	B15272450AH	OUTER PRESSER FOOT ASM. 5/16				1
19	B15272450AK	OUTER PRESSER FOOT ASM.3/8				1
20	B147624500A	INNER PRESSER				1
21	B15292450AA	OUTER PRESSER FOOT ASM., RIGHT				1
22	10338309	UPPER FEED FOOT				1
23	B1525563SA0	PRESSER FOOT ASM.				1
24	B1470245000	WALKING FOOT				1
25	B15242450A0	PRESSER FOOT ASM.				1
26	MAQ09307000	WALKING FOOT				1
27	MAN10452000	UPPER FEED FOOT				1
28	MAQ093080A0	PRESSER FOOT ASM.				1

TABLE OF OPTIONAL GAUGE PARTS (FOR LU-2810A,2810A-7,2818A-7)

For piping パイピング用				
Feed foot asm. 送り足 (組)		Presser foot asm. 押え足 (組)		
Size(mm)	No.	Part No.	No.	Part No.
Ø3mm	1	107-45354	5	107-47350
Ø4mm	2	107-45453	6	107-47459
Ø5mm	3	107-45552	7	107-47558
Ø6mm	4	107-45651	8	107-47657
Adjustment type 調整式				
Size(mm)	No.	Part No.	No.	Part No.
Ø3mm	9	107-46352	5	107-47350
Ø4mm	10	107-46451	6	107-47459
Ø5mm	11	107-46550	7	107-47558
Ø6mm	12	107-46659	8	107-47657

For urethane ウレタン用				
Feed foot asm. 送り足 (組)		Presser foot asm. 押え足 (組)		
For light-weight urethane 薄いウレタン用 				
No.	Part No.			
13	107-11653			
For light-weight urethane 薄いウレタン用 				
No.	Part No.			
14	107-12354			
For heavy-weight urethane 厚いウレタン用 				
No.	Part No.	No.	Part No.	
15	107-11752	16	107-12750	

Right-edge presser 右片押え			
Feed foot asm. 送り足 (組)		Presser foot asm. 押え足 (組)	
No.	Part No.	No.	Part No.
17	107-11851	18	107-12859
Left-edge presser 左片押え			
No.	Part No.	No.	Part No.
19	107-11950	20	107-12958
Wide type 幅広タイプ			
No.	Part No.	No.	Part No.
21	107-12057	22	107-13055
Control area smallness 押え面積小			
No.	Part No.		
13	107-11653		
No.	Part No.		
14	107-12354	23	107-58456
For overlapped sections of material 段部用			
No.	Part No.		
13	107-11653		
No.	Part No.		
14	107-12354	24	107-12651

TABLE OF OPTIONAL GAUGE PARTS (FOR LU-2810A,2810A-7,2818A-7)

No.	Parts No.	Parts name	Remarks	Level	Cons	Qty
1	10745354	FEEDING FOOT (PIPING) 3MM				1
2	10745453	FEEDING FOOT (PIPING) 4MM				1
3	10745552	FEEDING FOOT (PIPING) 5MM				1
4	10745651	FEEDING FOOT (PIPING) 6MM				1
5	10747350	PRESSER FOOT (PIPING) 3MM				1
6	10747459	PRESSER FOOT (PIPING) 4MM				1
7	10747558	PRESSER FOOT (PIPING) 5MM				1
8	10747657	PIPING FOOT 6MM				1
9	10746352	FEEDING FOOT (PIPING) 3MM ADJUSTABL ASM.				1
10	10746451	FEEDING FOOT (PIPING) 4MM ADJUSTABL ASM.				1
11	10746550	FEEDING FOOT (PIPING) 5MM ADJUSTABL ASM.				1
12	10746659	FEEDING FOOT (PIPING) 6MM ADJUSTABL ASM.				1
13	10711653	FEED FOOT ASM.				1
14	10712354	FEED FOOT ASM.				1
15	10711752	FEEDING FOOT (URETHANE)				1
16	10712750	PRESSER FOOT, URETHANE				1
17	10711851	FEEDING FOOT ASM. RIGHT				1
18	10712859	FEEDING FOOT, RIGHT				1
19	10711950	FEEDING FOOT ASM.,LEFT				1
20	10712958	PRESSER FOOT,LEFT				1
21	10712057	FEED FOOT ASM.				1
22	10713055	FEED FOOT ASM.				1
23	10758456	PRESSER FOOT ASM.				1
24	10712651	PRESSER FOOT ASM				1



TABLE OF OPTIONAL GAUGE PARTS (FOR LU-2860S,2860S-7)


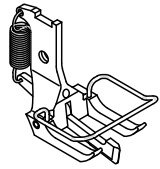

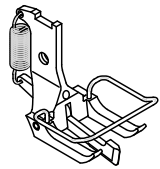
For center guide センターガイド用				
	Feed foot asm. 送り足 (組)		Presser foot asm. 押え足 (組)	
				
Size(mm)	No.	Part No.	No.	Part No.
5/16	1	213-72552	3	213-74657
3/8	2	213-72651	4	213-74756
				
	Slit スリット入り			
Size(mm)	No.	Part No.	No.	Part No.
5/16	5	213-73758	3	213-74657
3/8	6	213-73857	4	213-74756

TABLE OF OPTIONAL GAUGE PARTS (FOR LU-2860S,2860S-7)

No.	Parts No.	Parts name	Remarks	Level	Cons	Qty
1	21372552	WALKING FOOT 5/16 ASM.				1
2	21372651	WALKING FOOT 3/8 ASM.				1
3	21374657	PRESSER FOOT 5/16 ASM.				1
4	21374756	PRESSER FOOT 3/8 ASM.				1
5	21373758	WALKING FOOT ASM. 5/16				1
6	21373857	WALKING FOOT 3/8 ASM.				1

TABLE OF OPTIONAL GAUGE PARTS (FOR LU-2860A,2860A-7,2868A-7)


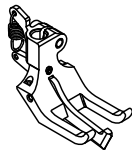
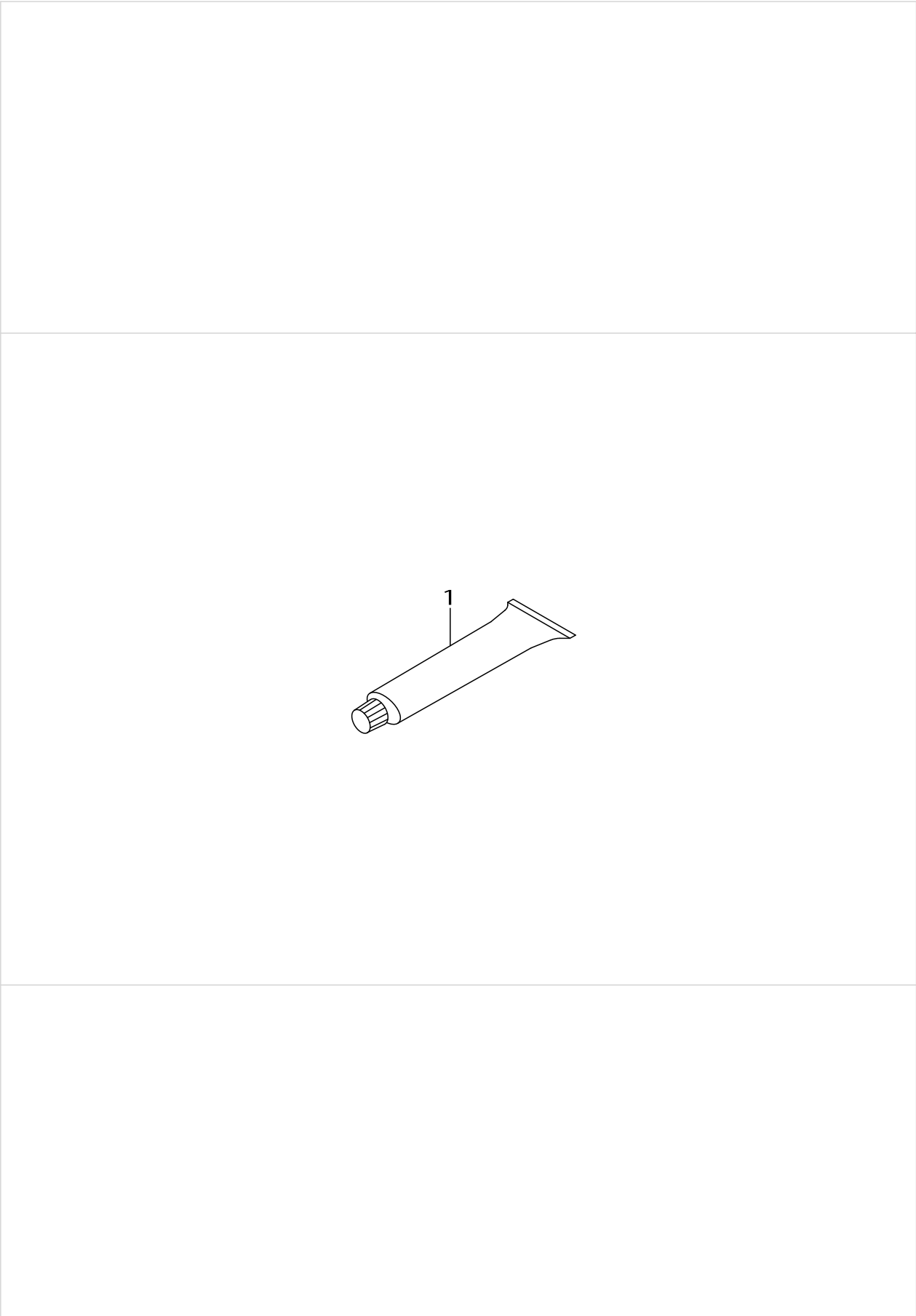
For center guide センターガイド用				
	Feed foot asm. 送り足 (組)		Presser foot asm. 押え足 (組)	
				
Size(mm)	No.	Part No.	No.	Part No.
10mm	1	400-39271	3	400-38806
12mm	2	400-95750	4	400-38802

TABLE OF OPTIONAL GAUGE PARTS (FOR LU-2860A,2860A-7,2868A-7)

No.	Parts No.	Parts name	Remarks	Level	Cons	Qty
1	40039271	FEED FOOT FOR GUIDE(10MM 60L)ASM.				1
2	40095750	FEED_FOOT_FOR_GUIDE(12MM_60L)ASM.				1
3	40038806	PRESSERFOOTWITHGUIDE(10MM)ASM.				1
4	40038802	PRESSERFOOTWITHGUIDE(12MM)ASM.				1

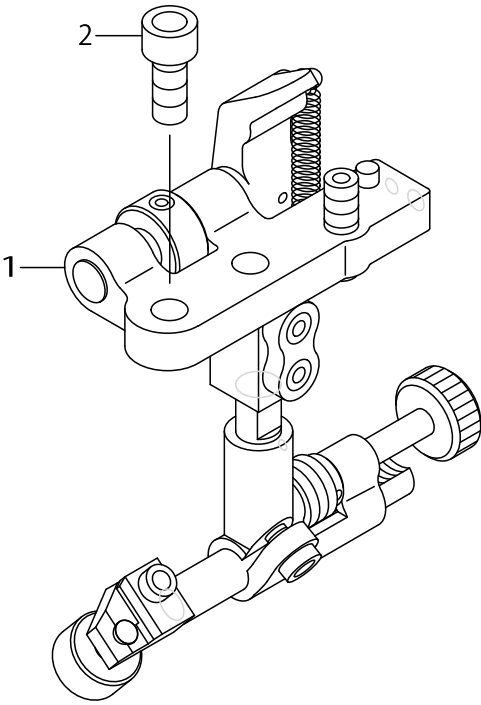
GREASE COMPONENTS (OPTIONAL PARTS)



GREASE COMPONENTS (OPTIONAL PARTS)

No.	Parts No.	Parts name	Remarks	Level	Cons	Qty
1	40006323	JUKI GREASE A TUBE				1

SUSPENSION SQUARE COMPONENTS (OPTIONAL PARTS)



SUSPENSION SQUARE COMPONENTS (OPTIONAL PARTS)

No.	Parts No.	Parts name	Remarks	Level	Cons	Qty
1	MAH152010A0	RULER				1
2	SM6061402TP	SCREW M6 L=14				2



## HOW TO MAKE USE OF THIS PARTS LIST

1.As to "#01" and "#02" refer to the "Note" given at the bottom of the respective pages.

2.Codes on the "Qty" column

- Each numeral indicates the number of parts required.
- "0.1" and "2.5" indicate the length (in meters) of the respective parts.

3.Parentheses mean that the corresponding part is a subpart that constructs an assembly part.

4.Dotted lines on the Figures indicate assembly parts.

5.As to the parts with marks of "☆"(Consumable parts)and "◎"(optional parts)on the respective parts, it is recommended to prepare spares.

1. リストページの#01、#02の印は、ページ下の"注記"の説明を参照下さい。
2. 数量欄の数字は、個数を表し、0.1、2.5等の数値は、長さ（単位メートル）を表します。
3. 数量欄の（ ）は、組部品を構成している子部品であることを意味します。
4. イラストページの-----枠は、組構成であることを意味します。
5. リストページの"☆"（消耗部品）、"◎"（オプション部品）の印が付いた部品は、予備を準備しておくことをお奨めします。

NUMERICAL INDEX OF PARTS

PART NO	PAGE	REF NO.	PART NO	PAGE	REF NO.	PART NO	PAGE	REF NO.
10308609	12	47~49	10781755	98	44	21343157	92	11
10320109	66	25	10781755	104	58	21350152	28	74
10338309	108	22	10781854	98	45	21350152	96	15
10539906	94	5	10781854	104	59	21367156	98	21
10546901	6	37	10781953	98	46	21367156	102	29
10697506	66	14	10781953	104	60	21367255	98	22
10697506	68	2	11015906	80	69	21367255	102	30
10697605	68	3	11015906	84	63	21367354	98	23
10710804	26	3	11072402	68	4	21367354	102	31
10711653	96	14	11093606	68	5	21367453	98	24
10711653	110	13	12210803	80	74	21367453	102	32
10711752	110	15	12210803	84	86	21367651	98	17
10711851	110	17	12288908	38	70·76	21367651	102	25
10711950	110	19	12938304	66	17	21367750	98	18
10712057	110	21	12938304	68	7	21367750	102	26
10712354	96	13	13142609	78	66	21367859	98	19
10712354	110	14	13142609	80	66	21367859	102	27
10712552	96	16	13142609	82	48	21367958	98	20
10712651	110	24	13142609	84	48	21367958	102	28
10712750	110	16	13409107	32	10	21368154	12	50
10712859	110	18	13424502	42	70	21368154	98	13
10712958	110	20	13424502	44	31	21368154	102	21
10713055	110	22	13518501	40	6	21368253	98	14
10715704	44	62	13718507	76	16	21368253	102	22
10715704	46	62	13765607	78	13	21368352	98	15
10717205	106	4	13765607	84	52	21368352	102	23
10717304	106	5	13817408	66	6	21368451	98	16
10721306	40	23	13817408	68	6	21368451	102	24
10721504	6	39	13860408	74	18	21372552	112	1
10740900	94	24	13951009	32	22	21372651	112	2
10745354	110	1	18035006	42	67·68	21373758	112	5
10745453	110	2	18035006	46	85·86	21373857	112	6
10745552	110	3	18035105	42	67·68	21374657	112	3
10745651	110	4	18035105	46	85·86	21374756	112	4
10746352	110	9	18035303	32	13	21387600	16	52
10746451	110	10	18035501	48	6	21387709	16	53
10746550	110	11	18035709	50	23	21387808	16	54
10746659	110	12	18035709	64	19	21387907	16	55
10747350	110	5	18035907	52	12	21389309	60	69·70
10747459	110	6	21333901	16	66	21389408	58	24~27
10747558	110	7	21334800	22	43·44	21413158	94	3
10747657	110	8	21334800	94	1·2	21451406	10	10~14
10758456	110	23	21338405	10	10~14	22528509	66	35
10781656	98	43	21338504	12	47~49	22528509	68	45
10781656	104	57	21343108	92	13	22528806	66	18

# NUMERICAL INDEX OF PARTS

PART NO	PAGE	REF NO.	PART NO	PAGE	REF NO.	PART NO	PAGE	REF NO.
22528806	68	8	22932107	34	11	23630106	86	7·96
22529408	66	21	22932156	34	10	23630403	78	28
22529408	68	9	22932404	92	9	23630403	82	28
22529515	68	10	22932453	92	8	23630502	78	29
22606206	10	32~39	22934202	92	16	23630502	82	29
22606305	10	32~39	22934301	92	17	23630601	78	31
22606404	10	32~39	22934400	92	15	23630601	82	31
22607600	10	32~39	22934509	92	14	23630650	78	27
22607709	10	32~39	22934707	92	10	23630650	82	27
22607808	10	32~39	22935308	78	12·26	23631708	50	27
22607907	10	32~39	22935308	82	8·26	23631708	52	16
22617609	68	11	22945703	66	19	23631807	50	28
22617708	68	12	22945802	66	22	23631807	52	17
22617807	66	16	22949101	32	17	23631906	50	29
22617807	68	13	22951552	2	26	23631906	52	18
22618201	66	7	22954309	66	2	23632102	50	25
22618201	68	14	22954309	68	40	23632102	52	14
22618300	68	15	22956205	58	3·4	23638406	56	2
22618706	66	24	22957104	58	5·6	23639503	34	23
22618706	68	16	22957203	58	7·8	26017400	38	71
22618805	68	17	22958300	94	4	26018705	38	62
22618904	68	18	22963409	66	20	26229302	40	28
22901805	2	6	23534506	42	73	26229302	46	53
22902506	2	16	23600505	2	28·55	26231902	60	64
22904106	36	35	23605207	6	46	26231902	84	54
22904155	28	52	23605207	8	46	26260109	76	2
22904155	36	34	23613409	40	24	26260307	76	3
22911804	40	41	23613409	44	23	26260406	76	4
22911804	44	61	23628357	78	23	26260505	76	6
22911804	46	61	23628357	82	23	26260802	76	8
22912000	40	42	23629306	94	9	26261008	76	9
22912109	40	43	23629405	78	86	26261503	76	11
22912257	66	1	23629405	80	86	32055501	72	6
22912257	68	47	23629405	82	99	40006323	116	1
22913008	28	75	23629405	86	99	40006716	32	2
22913008	36	5	23630007	40	17	40010298	20	18
22917009	58	1·2	23630007	44	13	40010437	6	22
22921308	76	32	23630007	78	76	40010438	6	23
22921407	76	31	23630007	80	76	40010439	6	24
22921506	66	31	23630007	82	88	40010440	6	25
22921506	68	25	23630007	84	88	40010533	6	42
22921506	76	28	23630106	78	11·83	40010534	6	43
22921704	76	29	23630106	80	11·83	40010535	8	44
22923908	84	49	23630106	82	7·96	40010709	10	1
22926208	94	42	23630106	84	7·96	40011902	6	31

# NUMERICAL INDEX OF PARTS

PART NO	PAGE	REF NO.	PART NO	PAGE	REF NO.	PART NO	PAGE	REF NO.
40013595	78	36	40079896	22	26	40085796	90	20
40013595	82	36	40079898	22	51	40086018	32	24
40023627	26	21	40079898	24	51	40086679	72	15
40026457	8	48	40079899	22	52	40088958	76	27
40028116	8	9-52	40079899	24	52	40088959	76	30
40028294	78	21	40079900	22	53	40090058	26	17
40028294	82	9	40079900	24	53	40090101	42	74
40032804	78	34	40079901	22	31	40094561	2	42
40032804	82	45	40079902	22	55	40095748	100	50
40033825	40	26	40079902	24	55	40095748	104	64
40033825	44	24	40079903	22	56	40095750	114	2
40034674	2	10	40079903	24	56	40096325	88	14
40034675	2	9	40079904	22	34	40096325	90	21
40036167	78	24	40079905	22	35	40096326	88	17
40036167	82	24	40079909	22	60	40096326	90	19
40038494	26	35	40079909	24	60	40096327	88	19
40038494	36	33-77	40079912	22	65	40096327	90	18
40038772	100	54	40079912	24	65	40101713	78	47
40038772	104	56	40082078	34	17	40101713	82	16
40038774	100	53	40084142	2	30	40101714	80	53
40038774	104	55	40085784	88	2	40101714	82	22
40038776	100	52	40085784	90	12	40101715	78	43
40038776	104	54	40085785	88	3	40101715	82	12
40038778	12	52	40085785	90	6	40101716	78	44
40038778	100	51	40085786	88	4	40101716	82	13
40038778	104	53	40085786	90	17	40101717	78	45
40038802	114	4	40085787	88	5	40101717	82	14
40038806	114	3	40085787	90	2	40101719	78	41
40038898	100	49	40085788	88	6	40101719	82	10
40038898	104	63	40085788	90	16	40101721	78	40
40039271	114	1	40085789	88	7	40101721	82	40
40042716	2	11	40085789	90	15	40102087	94	6
40048536	94	25	40085790	88	8	40102249	78	42
40052253	14	5	40085790	90	14	40102249	82	11
40052254	52	4	40085791	88	9	40102261	2	4
40069741	78	17	40085791	90	13	40105508	54	1
40075542	22	59	40085792	88	10	40105509	54	4
40075542	24	59	40085792	90	7	40105510	54	2
40075547	22	63	40085793	88	11	40106576	88	31
40075547	24	63	40085793	90	5	40106576	90	10
40075548	22	64	40085794	88	12	40106579	88	26
40075548	24	64	40085794	90	4	40106579	90	11
40077931	42	58	40085795	88	13	40106580	88	30
40077931	46	74	40085795	90	3	40106580	90	9
40079298	94	23	40085796	88	16	40106582	88	25

# NUMERICAL INDEX OF PARTS

PART NO	PAGE	REF NO.	PART NO	PAGE	REF NO.	PART NO	PAGE	REF NO.
40106582	90	8	40112218	66	10	40113224	16	61
40106584	90	1	40112218	68	20	40116455	80	48
40112087	6	1·19	40112219	66	11	40116455	82	17
40112088	6	1·19	40112219	68	21	40116456	80	49
40112091	6	27	40112224	4	49	40116456	82	18
40112092	6	28	40112224	96	18	40116457	80	50
40112093	6	29	40112225	4	50	40116457	82	19
40112094	6	30	40112225	96	20	40116458	80	51
40112098	36	11	40112228	50	9	40116458	82	20
40112106	6	5	40112228	64	9	40116459	80	52
40112118	36	18	40112230	58	13~16	40116459	82	21
40112127	34	9	40112232	58	28·29	40122887	40	8
40112127	40	11	40112233	60	73·74	40123247	14	46
40112127	46	49	40112234	60	71·72	40123248	60	75·76
40112128	40	12·13	40112235	58	17·18	40123252	36	29
40112136	50	1	40112240	16	49	40123262	26	28
40112137	50	2	40112242	14	38·39	40123319	26	27
40112137	64	2	40112246	78	15	40123320	26	29
40112138	50	3	40112246	84	53	40123321	26	30
40112138	64	3	40112251	58	38·39	40123332	36	27
40112140	50	5	40112252	20	31·36	40123340	14	11·12
40112140	64	5	40112253	14	3	40123345	28	72
40112149	50	6	40112267	42	55	40123345	38	67
40112149	64	6	40112270	10	27	40123346	38	68·75
40112150	50	7	40112271	10	28·29	40123414	26	39
40112151	50	8	40112272	10	28·29	40123416	26	38
40112151	64	8	40112273	10	21~23	40123428	16	85
40112152	10	19	40112274	6	10	40123547	36	16
40112176	26	4	40112277	4	45	40123555	26	40
40112184	32	3	40112278	58	19·67	40123626	36	14
40112187	32	14	40112281	40	14	40123627	36	24
40112188	32	15	40112282	40	15·16	40123628	40	19
40112191	48	7	40112285	72	11	40123629	36	17·73
40112192	48	11	40112288	50	24	40123634	26	20
40112197	28	47	40112288	52	13	40123634	36	19
40112199	28	48	40112293	36	30	40123639	36	26
40112204	66	9	40112296	92	19	40123665	26	7
40112204	68	19	40112299	6	20	40123666	36	1
40112211	96	3	40112312	6	3	40123667	36	4
40112212	96	1	40112313	92	21	40123668	36	23
40112213	50	26	40112314	92	20	40125843	36	13
40112213	52	15	40112318	78	14	40125844	76	25
40112214	94	40	40112318	84	81	40125845	14	1·2
40112215	54	3	40112320	78	1	40125846	14	1·2
40112216	54	5	40112320	82	1	40125847	16	80·81

# NUMERICAL INDEX OF PARTS

PART NO	PAGE	REF NO.	PART NO	PAGE	REF NO.	PART NO	PAGE	REF NO.
40125848	16	80·81	40126128	74	4·16	40126273	34	7
40125850	28	50	40126129	50	31	40126274	34	8
40125851	76	7	40126129	52	20	40126311	76	14
40125852	26	8	40126130	60	66	40126321	6	9·52
40125854	26	9	40126131	56	5	40126338	26	33
40125856	36	22	40126142	98	39	40126339	36	28
40125857	36	25	40126142	104	49	40126349	2	38
40125858	40	44	40126143	98	40	40126349	96	2
40125858	46	64	40126143	104	50	40126350	96	6
40125859	20	16	40126144	98	41	40126350	104	79
40125860	26	15·16	40126144	104	51	40126351	20	33
40125861	26	15·16	40126145	98	42	40126354	76	10
40125862	16	56	40126145	104	52	40126355	76	1
40125864	40	22	40126146	98	9	40126356	34	3
40125867	26	22	40126146	102	17	40126357	36	12
40125868	28	86	40126147	98	10	40126359	38	66
40125869	94	12	40126147	102	18	40126360	20	15
40125872	50	4	40126148	98	11	40126361	20	7
40125872	64	4	40126148	102	19	40126362	40	12·13
40125873	66	4	40126149	98	12	40126363	40	1
40125873	68	42	40126149	102	20	40126363	44	1
40125876	28	71	40126150	32	4	40126364	32	6
40125877	28	85	40126151	36	15	40126365	14	42
40125879	58	9~12	40126155	92	1	40126366	16	57
40125919	40	3	40126157	28	69	40126367	32	1
40125920	40	39	40126158	28	70	40126372	14	37
40125925	96	9	40126159	28	68	40126373	66	5
40125926	28	46	40126160	26	31	40126374	26	45
40125927	76	13	40126161	36	7	40126375	36	21
40125928	76	24	40126166	26	12	40126381	14	6·7
40125929	78	35	40126221	2	32	40126382	16	78·79
40125929	82	35	40126222	94	20	40126386	36	6
40125930	6	32	40126223	26	34	40126390	26	32
40125934	40	2	40126244	6	8·26	40126391	20	12·13
40125935	38	65	40126259	56	4	40126399	22	22·23
40125936	26	10·11	40126260	56	1	40126400	28	49
40125937	26	10·11	40126263	72	3	40126401	36	10
40125939	6	35·36	40126264	26	37	40126402	10	5~9
40125943	26	18	40126265	66	3	40126403	10	5~9
40125948	72	2	40126265	68	41	40126404	66	12
40125949	72	4	40126267	94	8	40126405	94	7
40125950	6	6	40126269	26	36	40126454	16	84
40126116	40	20	40126270	34	1	40126455	16	82
40126116	44	15	40126271	34	2	40126543	92	3
40126127	74	11	40126272	34	6	40126545	74	5·15

# NUMERICAL INDEX OF PARTS

PART NO	PAGE	REF NO.	PART NO	PAGE	REF NO.	PART NO	PAGE	REF NO.
40126546	60	19·67	40127023	98	5	40131580	94	29
40126547	20	12·13	40127023	102	13	40131887	40	4
40126549	76	23	40127024	98	6	40131887	44	46
40126550	76	12	40127024	102	14	40131916	94	27
40126555	40	15·16	40127025	98	7	40131956	22	1·2
40126556	68	1	40127025	102	15	40132118	44	78
40126557	68	22	40127026	98	8	40132118	46	78
40126560	92	18	40127026	102	16	40132434	58	20~23
40126561	40	5	40127041	10	20	40133270	96	7
40126562	72	14	40127042	10	5~9	40133271	106	1
40126563	72	13	40127049	6	33·34	40133272	96	10
40126582	80	82	40127051	10	5~9	40133272	106	3
40126582	84	95	40127052	10	10~14	40133273	106	2
40126582	86	95	40127054	10	5~9	40133312	106	6
40126594	76	5	40127056	4	51	40133612	64	1
40126642	40	46	40127056	98	25	40133655	64	7
40126642	46	66	40127345	16	89	40133730	94	30
40126643	40	47	40129984	44	3	40133826	44	38
40126643	46	68	40129985	46	65	40134105	44	12
40126724	66	13	40129986	44	2	40134528	44	5
40126724	68	23	40129988	44	4	40134532	6	35·36
40126976	98	27	40129991	46	50	40134545	6	33·34
40126976	102	41	40129995	4	24·56	40134805	4	53
40126977	98	28	40129999	46	67	40134834	4	28·55
40126977	102	42	40130001	44	17	40134959	40	30
40126978	98	29	40130003	44	70	40134959	44	35
40126978	102	43	40130003	46	70	40135014	26	23
40126979	98	30	40130004	44	69	40135472	20	19·34
40126979	102	44	40130004	46	69	40135473	20	9·38
40126986	98	31	40130005	44	71	40135474	14	11·12
40126986	102	45	40130005	46	71	40135475	20	17·37
40126987	98	32	40130006	44	88	40135500	20	8
40126987	102	46	40130006	46	88	40135504	16	90
40126988	98	33	40130277	6	4	40135505	16	88
40126988	102	47	40130283	74	5·15	40135589	98	47
40126989	98	34	40130284	74	4·16	40135589	104	61
40126989	104	48	40130412	44	39	40135590	100	48
40127004	98	1	40130702	6	2	40135590	104	62
40127004	102	9	40130703	2	24·56	40136296	10	15~17
40127005	98	2	40130704	2	15	40137431	20	6
40127005	102	10	40130705	2	1	40137553	38	17·73
40127006	98	3	40130706	2	21·54	40137554	38	68·75
40127006	102	11	40130819	46	87	40137612	46	93
40127007	98	4	40130820	44	89	40137613	44	14
40127007	102	12	40130820	46	89	40137779	38	70·76

# NUMERICAL INDEX OF PARTS

PART NO	PAGE	REF NO.	PART NO	PAGE	REF NO.	PART NO	PAGE	REF NO.
40137780	38	33·77	40143221	12	47~49	40148033	22	27
40137780	44	36	40143553	74	14	40148034	22	28
40137921	58	38·39			68~	40148035	22	29
		68~	40143581	18	77·93~	40148036	22	30
40138418	18	77·93~			110	40148037	22	61
		110	40143624	42	69	40148037	24	61
		68~	40143624	44	32	40148038	22	39
40138419	18	77·93~	40143626	36	2	40148039	22	3
		110	40144283	32	5	40148040	22	4
		68~	40144286	26	5·6	40148283	4	21·54
40138420	18	77·93~	40144287	26	5·6	40149030	22	47
		110	40144288	26	1·2	40149032	24	49
		68~	40144289	26	1·2	40149033	24	50
40138421	18	77·93~	40145548	26	42~44	40149034	24	54
		110	40145549	26	42~44	40149035	24	57
		68~	40145550	26	42~44	40149036	24	58
40138422	18	77·93~	40147913	24	66·67	40149037	24	62
		110	40147913	94	34·35	40149038	24	48
		68~	40147915	20	1·2	40149115	28	87~90
40138423	18	77·93~	40147918	4	47	40149116	28	87~90
		110	40147918	96	17	40149117	28	87~90
40139042	16	35·87	40147918	100	55	40149118	28	87~90
40139043	14	35·87	40147919	4	57	40149120	28	91~94
40139345	72	1	40147940	58	20~23	40149121	28	91~94
40142199	40	21	40147941	58	13~16	40149122	30	91~94
40142200	42	49	40147942	58	9~12	40149123	30	91~94
40142201	42	51	40147943	58	24~27	40149125	30	95~98
40142208	50	10	40147944	96	22	40149126	30	95~98
40142208	64	10	40147945	98	26	40149127	30	95~98
40142213	88	1	40147946	52	1	40149128	30	95~98
40142215	96	19	40147947	52	2	40150131	4	44
40142430	94	13	40147948	52	3	40150762	102	33
40143061	96	11	40147949	96	5	40150763	102	35
40143069	92	4	40147951	98	35	40150764	102	37
40143070	92	5	40147951	104	69	40150765	102	39
40143071	92	6	40147952	98	36	40150777	102	34
40143082	14	20	40147952	104	70	40150778	102	36
40143083	6	11	40147953	98	37	40150779	102	38
40143084	14	17	40147953	104	71	40150780	102	40
40143085	38	51	40147954	98	38	40150791	102	1
40143086	14	40·41	40147954	104	72	40150792	102	3
40143087	38	50	40147956	80	78	40150793	102	5
40143088	6	16	40147956	84	91	40150794	102	7
		68~	40147985	22	45·46	40150803	102	2
40143185	18	77·93~	40148031	22	24	40150804	102	4
		110	40148032	22	25			
		68~						
40143188	18	77·93~						
		110						
40143220	10	10~14						



# NUMERICAL INDEX OF PARTS

PART NO	PAGE	REF NO.	PART NO	PAGE	REF NO.	PART NO	PAGE	REF NO.
40150805	102	6			87~	B147424500D	108	12
40150806	102	8	40155305	60	96·102	B147424500F	108	13
40151455	94	14·15·26			~105	B147424500H	108	14
40151456	94	14·15·26	40155305	62	87~	B147424500K	108	15
40151457	94	14·15·26			96·102	B147624500A	108	20
40151458	94	33	40155370	80	~105	B1478245000	108	1
40151488	6	8·26	40155370	84	79	B147924500D	108	6
40151791	76	15	40155371	80	92	B147924500F	108	7
40151799	4	58	40155371	84	80	B147924500H	108	8
40151800	94	11	40155440	80	93	B1504210000	48	1
40151801	94	18	40155440	84	81	B1516210D00	94	19
40151802	94	36	40155973	104	94	B15242450A0	108	25
40151803	94	37	40155974	104	65	B1525563SA0	108	23
40151804	94	38	40155975	104	66	B152652700G	44	63
40151805	94	39	40155976	104	67	B152652700G	46	63
40152022	76	35	40155979	104	68	B15272450AD	108	16
40152451	10	2	40155980	104	73	B15272450AF	108	17
40154199	26	19	40155981	104	74	B15272450AH	108	18
40154226	10	15~17	40155982	104	75	B15272450AH	108	18
40154227	10	15~17	40156013	104	76	B15272450AK	108	19
40155087	106	7	40156017	106	78	B15292450AA	108	21
					8	B15302450AD	108	2
40155295	60	77~ 86·98~ 101	40157625	62	87~ 96·102 ~105	B15302450AF	108	3
40155296	60	77~ 86·98~ 101	40157626	62	87~ 96·102 ~105	B15302450AH	108	4
40155297	60	77~ 86·98~ 101	40157628	62	87~ 96·102 ~105	B15302450AK	108	5
40155298	60	77~ 86·98~ 101	40157629	62	77~ 86·98~ 101	B15312450AD	108	9
40155299	60	77~ 86·98~ 101	B111105100B	4	77~ 86·98~ 101	B15312450AF	108	10
40155301	60	87~ 96·102 ~105	B1111563000	2	86·98~ 101	B15312450AH	108	11
40155302	60	87~ 96·102 ~105	B1132521000	2	101	B1639051000	16	50
40155303	60	87~ 96·102 ~105	B1140761000	80	77~ 86·98~ 101	B1834512000A	82	46
40155304	60	87~ 96·102 ~105	B1140761000	86	86·98~ 101	B1843563000	78	58
40155304	62	87~ 96·102 ~105	B125578100A	36	52	B1843563000	80	58
			B1308055000	16	35	B1843563000	82	34
			B1310055000	16	12	B2508047000	58	32·33
			B1314055000	16	84	B255728000A	16	68~ 77·93~ 110
			B1401053000	10	97	B255728000B	16	68~ 77·93~ 110
			B1411053000	10	32	B255728000C	16	68~ 77·93~ 110
			B1411521000	10	58	B255728000D	16	68~ 77·93~ 110
			B1412051000	10	59	B255728000E	16	68~ 77·93~ 110
			B1438512B00	10	60			
			B1470245000	108	10~14			
					21~23			
					21~23			
					40			
					32~39			
					24			

NUMERICAL INDEX OF PARTS

PART NO	PAGE	REF NO.	PART NO	PAGE	REF NO.	PART NO	PAGE	REF NO.
B3010141H00	20	11	D1231555B00	36	31	NM6060001CP	52	9
B3031141H00	48	3	D2112555B00	2	40	NM6060001SC	52	26
B3112704000	66	8	D2464555B00	50	11	NM6060001SD	26	25
B3112704000	68	24	D2464555B00	64	11	NM6060001SE	34	18
B31375270A0	66	15	D2629M1YC0F	40	27	NM6120001CP	80	88
B31375270A0	68	26	D2629M1YC0F	46	52	NM6120001CP	86	101
B3138527000	68	27	E2613700000	26	26	NS6110310SP	34	14
B3139527000	68	28	E8760452D00	56	6	NS6110310SP	58	40-41
B3141527000	68	29	EA9500B0100	40	45	NS6110310SP	66	23
B3142527000	68	30	EA9500B0100	46	91	NS6110310SP	68	33
B3143527000	68	31	EA9500B0100	50	32	NS6110310SP	78	63
B3214047000	68	32	EA9500B0100	52	21	NS6110310SP	80	63
B3538112000	14	92	EA9500B0100	60	68	NS6110310SP	82	47
B3538112000	18	92	EA9500B0100	72	16	NS6150430SP	52	28
B4122804000	44	48	EA9500B0100	74	17-23	NS6680410SP	38	63
B4122804000	46	48	EA9500B0100	80	56	PA200150900	42	66
B91210120A0	94	16	EA9500B0100	84	78	PA200150900	46	84
BT0400251EB	32	12	EA9500B0200	74	12-13	PA250250900	48	12
BT0400251EB	42	52-53	HA004680000	56	7	PA250250900	52	5
BT0400251EB	46	75-76	HK063610220	56	10	PA400150200	32	16
BT0400251EB	48	2	HK075230000	56	9	PF055107000	74	20
BT0400251EB	50	13	HW000840040	56	8	PH0400062C0	104	77
BT0400251EB	52	6	HX00150000B	94	22	PJ020500002	74	27
BT0400251EB	64	13	HX00150000C	74	6	PJ025100003	74	19
BT0600401EB	74	1	HX00150000H	74	8	PJ046052503	42	54
BT0800501EB	74	2	HX00150000M	74	9	PJ046052503	46	77
CM300200001	2	5-14	HX00150000M	80	54	PJ046052503	50	14
CM600100101	2	43	HX00150000M	84	76	PJ046052503	52	7
CM600100201	94	10	M13517B1600	10	30-31	PJ046052503	64	14
CQ202000000	28	83	M13517B1602	94	17	PJ304040504	48	5
CQ202000000	36	48	MAH152010A0	118	1	PJ304045102	32	21
CQ202000000	38	48	MAN10452000	108	27	PJ304065101	74	21
CQ202000000	80	68	MAO11532000	94	32	PS0350102KR	42	50
CQ202000000	82	68	MAQ09307000	108	26	PX050501000	52	25
CQ202000000	84	68	MAQ093080A0	108	28	RC0150001KP	28	53
CQ252000000	10	45	NM6030001SC	72	7	RC0150001KP	36	37
CQ252000000	28	79	NM6040002SC	88	27	RC0560711KP	20	3-4
CQ303000000	78	73	NM6040002SC	90	25	RC0560711KP	76	17
CQ303000000	80	73	NM6050001SD	34	21	RC0650811KP	38	49
CQ303000000	84	90	NM6050001SD	40	29	RC0740816K0	14	15-16
CS1201171TP	34	22	NM6050001SD	46	54	RC2351018KP	14	13-14
CS1201171TP	42	71	NM6050001SE	88	24	RE0320000K0	48	4
CS1201171TP	44	33	NM6050001SE	90	26	RE0400000K0	32	23
CS1701181TP	10	3	NM6050001SP	74	26	RE0400000K0	50	15
D1231555B00	28	51	NM6050003SC	80	60	RE0400000K0	64	15

# NUMERICAL INDEX OF PARTS

PART NO	PAGE	REF NO.	PART NO	PAGE	REF NO.	PART NO	PAGE	REF NO.
RE0500000K0	16	51	SK3482001SE	92	2	SM4051055SP	2	25-59
RE0500000K0	20	20	SL4040691SC	56	11	SM4051055SP	4	25-59
RE0500000K0	28	57	SL4040881SC	40	31	SM4051055SP	8	49
RE0500000K0	66	36	SL4040881SC	44	26	SM4051055SP	92	24
RE0500000K0	68	46	SL4041091SC	74	3	SM4051255SP	72	12
RE1000000K0	34	15	SL4041091SC	80	55	SM4051405SE	88	23
RE1200000K0	36	38	SL4041091SC	84	77	SM4051405SE	90	24
RO037180100	66	26	SL4041491SC	54	6	SM4055501SC	2	3
RO037180100	68	34	SL4051091SC	50	18	SM6030602TP	10	25
RO092270200	42	56	SL4051091SC	64	18	SM6030602TP	58	46-47
RO092270200	44	55	SL6051092TN	78	38	SM6030602TP	72	9
RO092270200	46	55	SL6051092TN	82	38	SM6031202TP	76	20
RO098240100	78	37	SL6052592TN	6	17	SM6031202TP	78	46
RO098240100	82	37	SM0030601SC	76	18	SM6031202TP	82	15
SB108002400	6	40	SM0050801SC	28	61	SM6040502TP	14	91
SB115002200	16	86	SM0051001SC	76	34	SM6040502TP	16	91
SB120001800	6	13	SM1040750TP	2	34	SM6040602TP	14	24-25
SB120001800	14	47	SM1051052TN	2	37	SM6040602TP	92	7
SB120001800	16	47	SM1061201SN	16	63	SM6040650TP	10	18
SB120002700	8	45	SM4021601SN	56	3	SM6040650TP	14	83
SB125000600	28	58	SM4030601SN	26	13	SM6040650TP	16	83
SD0380556TL	2	13	SM4040655SP	2	36	SM6040650TP	28	59
SD0450401SP	66	27	SM4040655SP	60	65-97	SM6040650TP	38	69-74
SD0450401SP	68	35	SM4040855SP	2	27	SM6040802TP	20	23
SD0460576TP	58	30-31	SM4040855SP	62	65-97	SM6040802TP	44	42
SD0500803TP	34	16	SM4040855SP	74	10	SM6040802TP	60	48-49
SD0550271TP	72	8	SM4040855SP	78	22	SM6040802TP	78	16
SD0640322TP	16	62	SM4041201SC	88	29	SM6040802TP	84	80
SD0650321TP	58	42-43	SM4041201SC	90	22	SM6040860TP	76	19
SD0651301TH	58	34-35	SM4042501SC	88	28	SM6041002TP	58	36-37
SD0791271SP	52	22	SM4042501SC	90	23	SM6041202TP	52	27
SD0800321TH	50	16	SM4050501SC	10	41	SM6041402TP	44	45
SD0800321TH	64	16	SM4050655SP	4	61	SM6041802TP	44	73
SD0800341SP	50	17	SM4050655SP	94	31	SM6041802TP	46	73
SD0800341SP	64	17	SM4050855SP	2	41	SM6041802TP	80	67
SD0800346TP	42	57	SM4050855SP	40	32	SM6041802TP	82	50
SD0800346TP	46	79	SM4050855SP	50	19	SM6041802TP	84	50
SD0800406TP	52	24	SM4050855SP	52	8	SM6050800SP	38	72
SD0802126TP	26	24	SM4050855SP	66	37	SM6050802TP	32	9
SD0900426TP	42	48	SM4050855SP	70	48	SM6050802TP	42	59
SD0900426TP	46	80	SM4050855SP	80	87	SM6050802TP	46	81
SD1000406TP	34	19	SM4050855SP	86	100	SM6050802TP	50	20
SD1021251SP	36	20	SM4050855SP	94	21	SM6050802TP	64	20
SK3412000SC	92	22	SM4051001SN	66	33	SM6051000SP	28	60
SK3482001SE	74	24	SM4051001SN	68	43	SM6051202TP	34	4

NUMERICAL INDEX OF PARTS

PART NO	PAGE	REF NO.	PART NO	PAGE	REF NO.	PART NO	PAGE	REF NO.
SM6051202TP	40	34	SM8040612TP	20	25	SS4110615SP	66	29
SM6051202TP	46	58	SM8050412TP	14	29·30	SS4110615SP	68	36
SM6051202TP	74	22	SM8050412TP	40	64	SS6090410TP	12	51
SM6051400SP	34	5	SM8050412TP	42	64	SS6090910TP	28	67
SM6051400SP	40	33	SM8050412TP	44	47	SS6111052TP	38	60
SM6051400SP	46	57	SM8050502TP	76	21	SS6121210SP	44	60
SM6051402TP	14	34	SM8050512TP	78	39	SS6121210SP	46	60
SM6051402TP	50	21	SM8050512TP	82	39	SS6121860SP	40	65
SM6051402TP	64	21	SM8050612TP	20	29·35	SS6121860SP	42	65
SM6051402TP	94	41	SM8050612TP	26	14	SS7060610SP	60	54·55
SM6051602TP	40	62	SM8050612TP	38	57	SS7080510TP	10	42
SM6051602TP	42	62	SM80506A2TP	14	32	SS7090510SP	68	37
SM6051602TP	46	59	SM8050812TP	6	7	SS7090910TP	10	24
SM6051602TP	60	50·51	SM8050812TP	38	56	SS7110740TP	50	30
SM6051802TP	32	8	SM8050842TP	38	55	SS7110740TP	52	19
SM6052002TP	44	30	SM8051002TP	76	33	SS8080310TP	12	53
SM6054502TN	32	20	SM8060552TP	28	66	SS8080410TP	12	46
SM6054502TP	48	10	SM8060612TP	8	50	SS8090670SP	20	28
SM6055002TP	52	10	SM8060612TP	10	4	SS8110422TP	36	39
SM6056552TP	50	22	SM8060612TP	20	26·27	SS8110422TP	60	56·57
SM6056552TP	64	22	SM8060612TP	28	65	SS8111010TP	16	64
SM6061002TP	4	46	SM8060612TP	32	7	SS8151550SP	6	21
SM6061002TP	48	8	SM8060612TP	34	24	SS8660610TP	36	36
SM6061002TP	50	12	SM8060612TP	38	58	SS8660612TP	16	67
SM6061002TP	64	12	SM8060612TP	40	77	SS8661012TP	66	34
SM6061010TP	42	60	SM8060612TP	42	77	SS8661012TP	68	44
SM6061010TP	46	82	SM8060612TP	44	94	TA0500301R0	10	43
SM6061202TP	28	62	SM8060612TP	46	94	TA0620504R0	10	44
SM6061402TP	38	61	SM8060812TP	6	41	TA0750404R0	42	75
SM6061402TP	118	2	SM8060812TP	14	48	TA1030402R0	2	17
SM6061602TP	32	19	SM8060812TP	16	48	TA1250406R0	2	19
SM6061602TP	38	52	SM8060812TP	38	59	TA1270502R0	2	18
SM6061602TP	42	61	SM8060812TP	60	52·53	TA1550902R0	2	39
SM6061602TP	46	83	SM80608A2TP	6	47	TA1550902R0	42	78
SM6061602TP	48	9	SM80608A2TP	8	47	TA1650406R0	2	7
SM6061802TP	14	27·28	SM80608A2TP	26	99	WP0320501SC	60	58·59
SM6061802TP	38	53	SM80608A2TP	30	99	WP0320501SE	72	10
SM6061802TP	80	61	SM8063012TR	34	13	WP0430800SD	28	84
SM6061802TP	84	75	SM8080812TP	8	51	WP0430800SD	84	51
SM6062002TP	28	63	SM9061203SE	92	12	WP0431005SP	44	90
SM6081552TP	32	18	SM9061853SR	34	20	WP0431005SP	46	90
SM6082002TP	52	11	SQ2050452MZ	80	57	WP0450000SD	60	60·61
SM8040412TP	4	48	SS2060310SP	10	26	WP0450801SP	76	22
SM8040412TP	28	64	SS3090710TP	66	28	WP0450801SP	80	85
SM8040412TP	38	54	SS4090515SP	72	5	WP0450801SP	86	98

## NUMERICAL INDEX OF PARTS

PART NO	PAGE	REF NO.
WP0450846SP	78	20
WP0460556SD	66	32
WP0460556SD	68	39
WP0501016SD	66	30
WP0501016SD	68	38
WP0501016SD	92	23
WP0531001SC	88	22
WP0531001SC	90	28
WP0550800SP	60	62·63
WP0612066SP	20	5·21
WP0621016SD	52	23
WP0621036SP	46	56
WP0651001SC	28	73
WP0740516SP	20	10·39
WP0740516SP	36	64
WP0740516SP	38	64
WP0820516SP	6	38
WP1612616SE	88	15
WP1612616SE	90	27
WP1751616SD	42	72
WS0451040KP	76	26
WS0510002KN	74	25
WS0510002KN	88	21
WS0510002KN	90	29
WT0530002KS	4	60
WT1780011KP	40	25
WT1780011KP	44	40
WZ1052010KP	32	11