

MODEL : LU-1510N

List No : 1362-06

# PARTS LIST

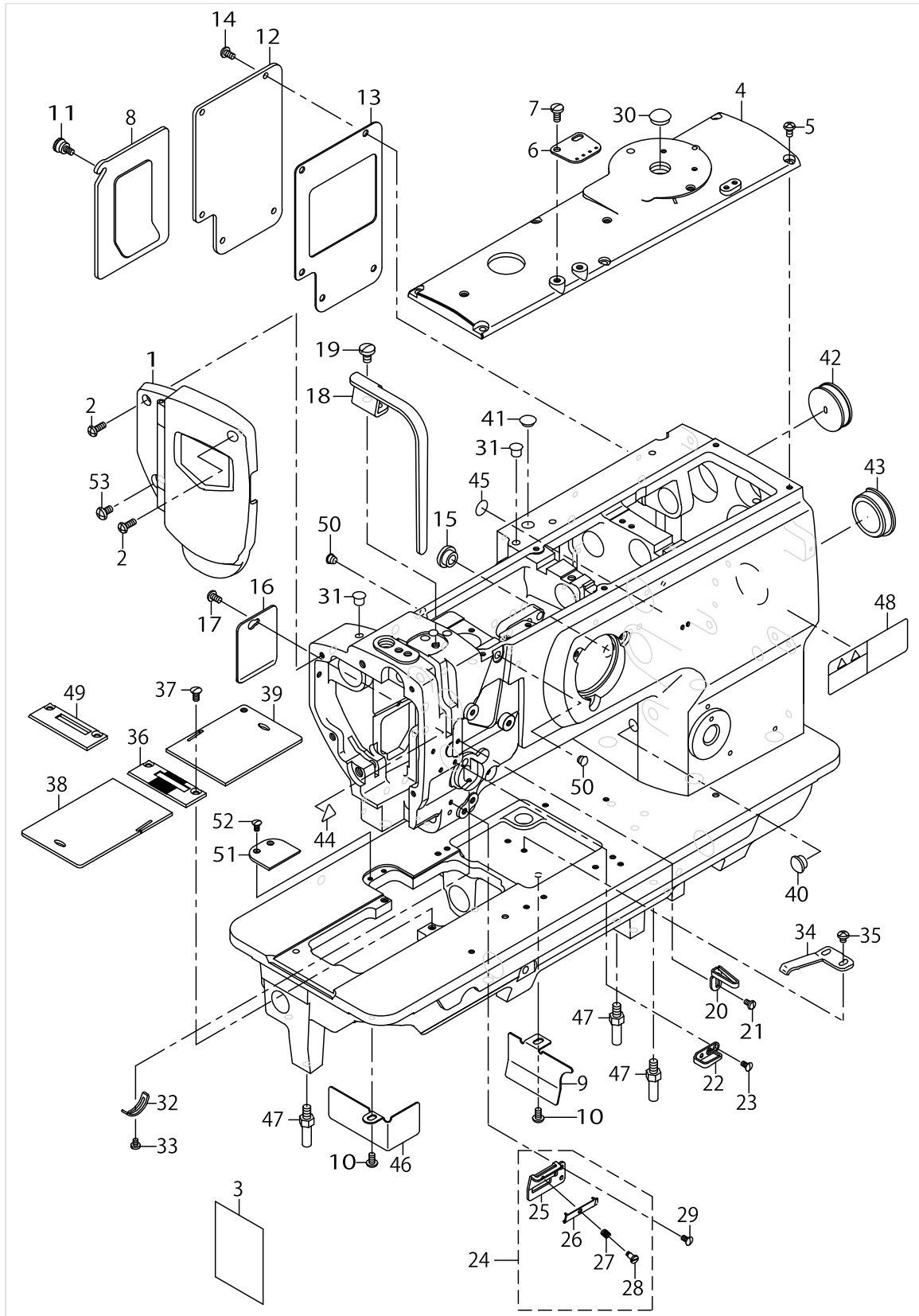
Published:06/02/2017

## CONTENTS

---

FRAME & MISCELLANEOUS COVER COMPONENTS .....	1
UPPER SHAFT,LOWER SHAFT DRIVING & BALANCE COMPONENTS .....	5
NEEDLE BAR ROCKING COMPONENTS .....	9
PRESSURE ADJUSTING & UPPER FEED MECHANISM COMPONENTS .....	11
FEED MECHANISM COMPONENTS.....	15
HOOK SHAFT & LOWER SHAFT COMPONENTS .....	19
THREAD TENSION COMPONENTS .....	23
LOWER THREAD WINDER MECHANISM COMPONENTS .....	25
KNEE LIFTING COMPONENTS .....	27
BELT COVER & OIL RESERVOIR COMPONENTS.....	29
LUBRICATION COMPONENTS .....	31
ACCESSORIES PARTS COMPONENTS .....	35
THREAD STAND COMPONENTS.....	37
AUTOMATIC BACK COMPONENTS (OPTIONAL PARTS).....	39
AUTOMATIC PRESSER LIFTING MECHANISM COMPONENTS (OPTIONAL PARTS).....	43
OPTIONAL PARTS (ADDITIONAL SPRING FOR PRESSER BAR) COMPONENTS .....	45
SUSPENSION SQUARE (OPTION) COMPONENTS.....	47
OPTIONAL PARTS COMPONENTS (1).....	49
OPTIONAL PARTS COMPONENTS (2).....	51
LIST FOR INFORMATION OF CHANGE.....	53
HOW TO MAKE USE OF THIS PARTS LIST .....	54

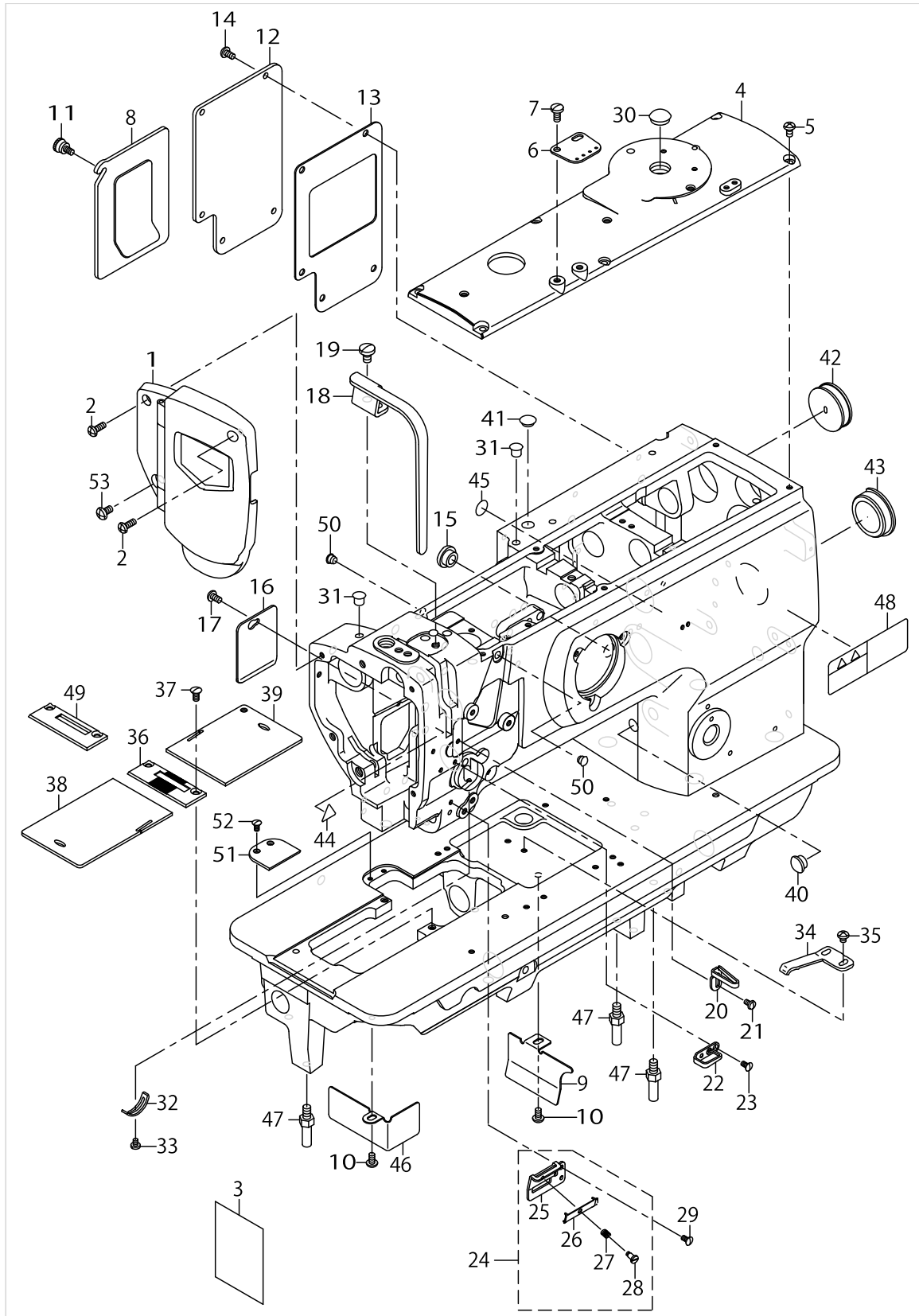
FRAME & MISCELLANEOUS COVER COMPONENTS



FRAME & MISCELLANEOUS COVER COMPONENTS

No.	Supply Code	Parts No.	Replacement	Parts name	Remarks	Choice	Step	Level	Cons	Qty	Rep. QTY
1		40016798		FACE PLATE ASM.						1	
2		SS4111215SP		SCREW11/64-40L=12						2	
3		40152631		LUBRICATION SUPPLEMENT						1	
4		21331301		TOP COVER B						1	
5		SS4110815SP		SCREW 11/64-40 L=8						6	
6		21355904		ARM THREAD GUIDE						1	
7		SS7621040SP		SCREW 3/16-32 L=9.5						2	
8		21331756		WINDOW PLATE A ASM.						1	
9	D	22877609		DUST COVER						1	
10		SS4110815SP		SCREW 11/64-40 L=8						2	
11		21331202		SETSCREW						1	
12		21331806		WINDOW PLATE B						1	
13		21332002		WINDOW PLATE PACKING B						1	
14		SS4110815SP		SCREW 11/64-40 L=8						5	
15		TA1250504R0		RUBBER PLUG						2	
16		21332309		SIDE COVER						1	
17		SS4110815SP		SCREW 11/64-40 L=8						1	
18		21331608		BALANCE COVER						1	
19		SS7150910TP		SCREW 15/64-28 L=9						1	
20		40125273		THREAD_GUIDE						1	
21		SS5090610SP		SCREW 9/64-40 L=6						1	
22		40108675		FRAME THREAD GUIDE						1	
23		SS2090710TP		SCREW 9/64-40 L=7.2						1	
24		21408554		THREAD GUIDE ASM.						1	
25	R	21408505	21408554	THREAD GUIDE PLATE				*		1	1.00
26		17912106		NEEDLE THREAD PRESSER PLATE				*		1	
27		B1132521000		THREAD PRESSER PLATE SPRING				*		1	
28		SD0380551SL		HINGE SCREW D=3.80 H=5.5				*		1	
29		SS2090710TP		SCREW 9/64-40 L=7.2						1	
30		TA1450404R0		RUBBER PLUG D=14.5 L=4						1	
31		TA0750704R0		RUBBER PLUG						2	
32		B3138512000		TAKE-UP SPRING A-DJUSTING PLATE						1	
33		SS7090520TP		SCREW 9/64-40 L=4.5						1	
34		B1111563000		BED SLIDE SPRING						1	
35		SS4110515SP		SCREW 11/64-40 L=5						2	
36		B1109563000		THROAT PLATE						1	
37		SS2110920TP		SCREW 11/64-40 L=8.5						2	
38		21349600		SLIDING PLATE (LEFT)						1	
39		21349709		SLIDING PLATE (RIGHT)						1	
40		TA1050504R0		RUBBER PLUG						1	
41		TA1250504R0		RUBBER PLUG						1	
42		10201200		RUBBER PLUG						1	
43		22619100		CAP						1	
44		CM300200001		ATTENTION SEAL						1	
45		22901805		GROUND MARK						1	
46		21332200		OIL SHIELD (LEFT)						1	

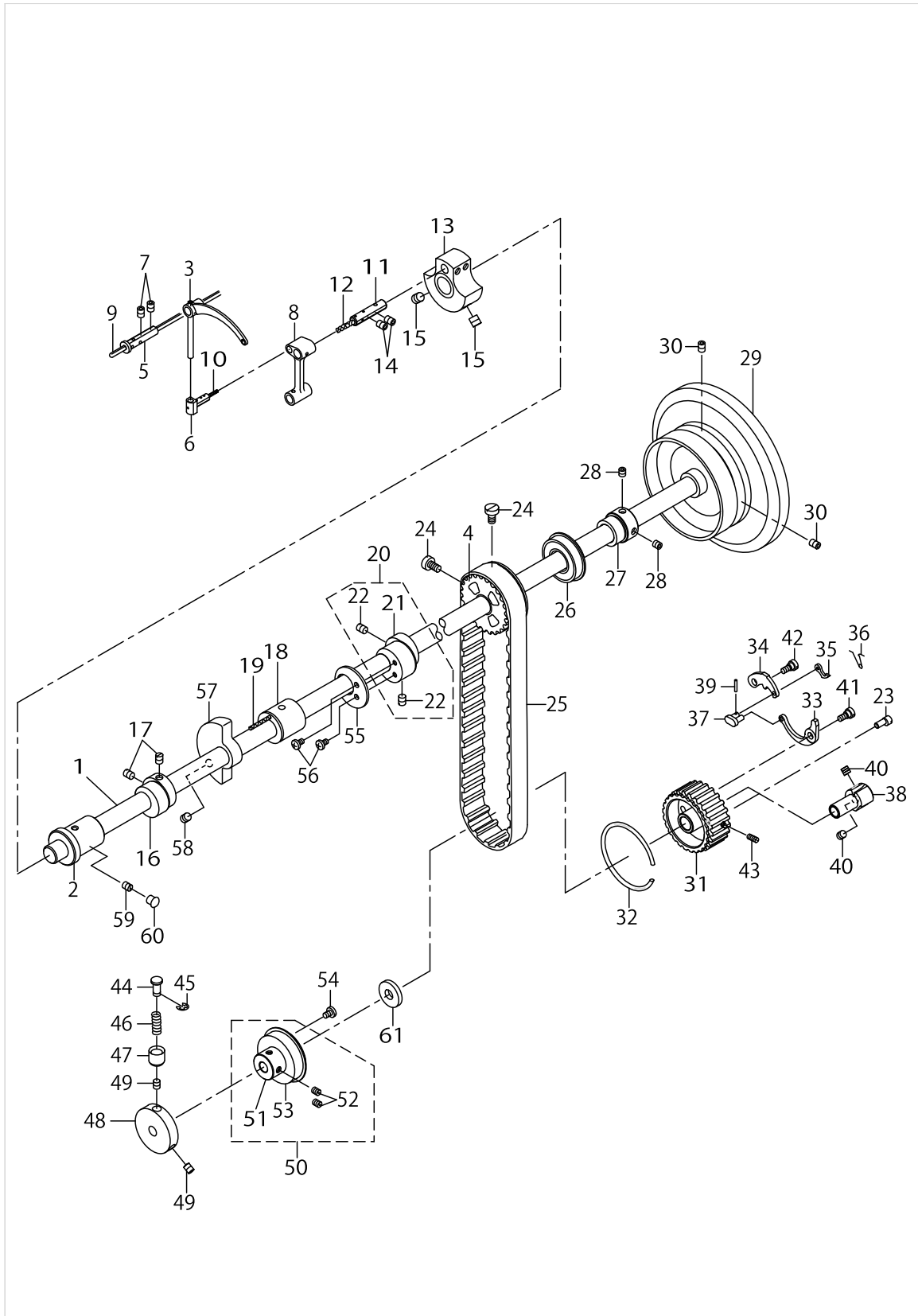
FRAME & MISCELLANEOUS COVER COMPONENTS



FRAME & MISCELLANEOUS COVER COMPONENTS

No.	Supply Code	Parts No.	Replacement	Parts name	Remarks	Choice	Step	Level	Cons	Qty	Rep. QTY
47		22602601		BED SCREW STUD						3	
48		CM301300001		SAFETY LABEL						1	
49		B1109562D00		THROAT PLATE	OPTIONAL PARTS					1	
50		TA0620504R0		CAP						2	
51		23208556		AUXILIARY COVER ASM.						1	
52		SS2090710TP		SCREW 9/64-40 L=7.2						2	
53		SS4150915SP		SCREW 15/64-28 L=9						1	

UPPER SHAFT, LOWER SHAFT DRIVING & BALANCE COMPONENTS

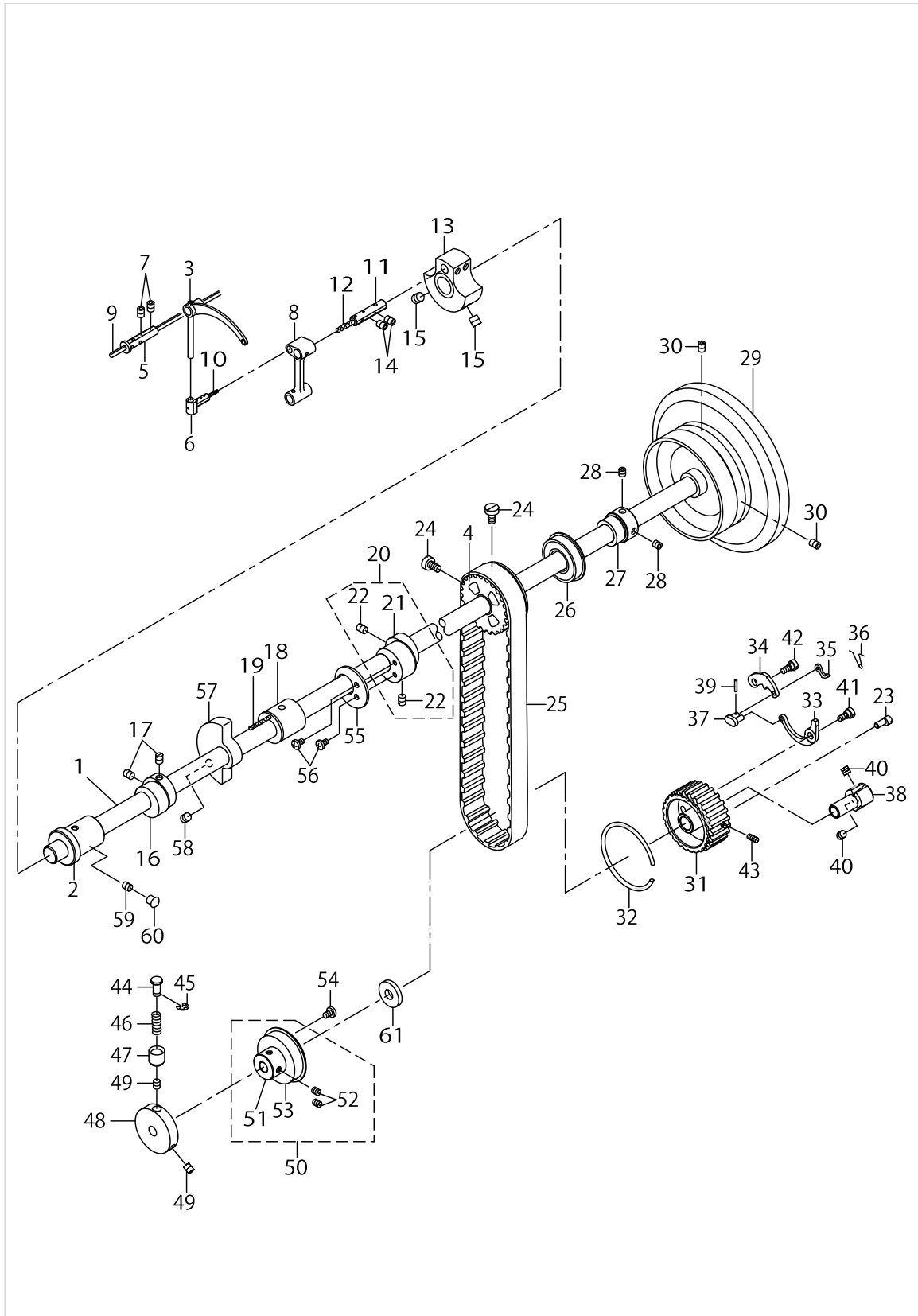


UPPER SHAFT,LOWER SHAFT DRIVING & BALANCE COMPONENTS

No.	Supply Code	Parts No.	Replacement	Parts name	Remarks	Choice	Step	Level	Cons	Qty	Rep. QTY
1		21332705		UPPER SHAFT						1	
2		21333000		UPPER SHAFT FRONT METAL						1	
3		B1905563000		THREAD TAKE-UP LEVER ASM.						1	
4		40038692		UPPER SPROCKET						1	
5		B1906051000		TAKE-UP LEVER PIN						1	
6		B1907051000		TAKE-UP LEVER THRUST PIN						1	
7		SS8150822TP		SCREW 15/64-28 L=8						2	
8		21339106		NEEDLE BAR CRANK ROD						1	
9		CQ303000000		OIL WICK						.45	
10		CQ202000000		OIL WICK						.03	
11		B1210051000		NEEDLE BAR CRANK PIN						1	
12		CQ505000000		OIL WICK						.03	
13		21332507		COUNTER WEIGHT (A) (36MM)						1	
14		SS8150822TP		SCREW 15/64-28 L=8						2	
15		SM8080812TP		SCREW M8X8						2	
16	R	21339502	21339551	UPPERFEEDCAM(3.5)						1	1.00
17		SS8660810TP		SCREW 1/4-40 L=8						2	
18		21333109		UPPER SHAFT INNER METAL						1	
19		CQ202000000		OIL WICK						.15	
20		21336557		ECCENTRIC CAM A ASM.						1	
21	R	21336508	21336557	ECCENTRIC CAM A				*		1	1.00
22		SS8660810TP		SCREW 1/4-40 L=8				*		2	
23		21387907		ADJUSTING PIN (1.2)						1	
24		SS6661110SP		SCREW 1/4-40 L=11						2	
25		22604300		TIMING BELT						1	
26		40143083		BEARING						1	
27		21402300		UPPER SHAFT BEARING HOOK						1	
28		SM8060602TP		SCREW M6X6						2	
29		21334008		FLYWHEEL						1	
30		SS8150822TP		SCREW 15/64-28 L=8						2	
31		21387501		LOWER SPROCKET						1	
32		B1214019000		SPROCKET RING						1	
33		21387709		SAFETY CLUTCH SPRING						1	
34		21387600		SAFETY CLUTCH HOOK						1	
35		B1308055000		SAFETY CLUTCH COUNTER-HOOK						1	
36		40113224		COUNTER HOOK SPRING						1	
37		B1310055000		SAFETY CLUTCH SMALL LINK						1	
38		21387808		SAFETY BASE						1	
39		B1314055000		SAFETY CLUTCH SMALL LINK PIN						1	
40		SS8660612TP		SCREW 1/4-40 L=6						2	
41		SD0640322TP		HINGE SCREW D=6.35 H=3.2						1	
42		SD0640322TP		HINGE SCREW D=6.35 H=3.2						1	
43		SS8111010TP		SCREW 11/64-40 L=9.5						1	
44		40104367		SAFETY CLUTCH PUSH BUTTON						1	
45		RE0500000K0		E-RING						1	
46		B1639051000		SPRING						1	



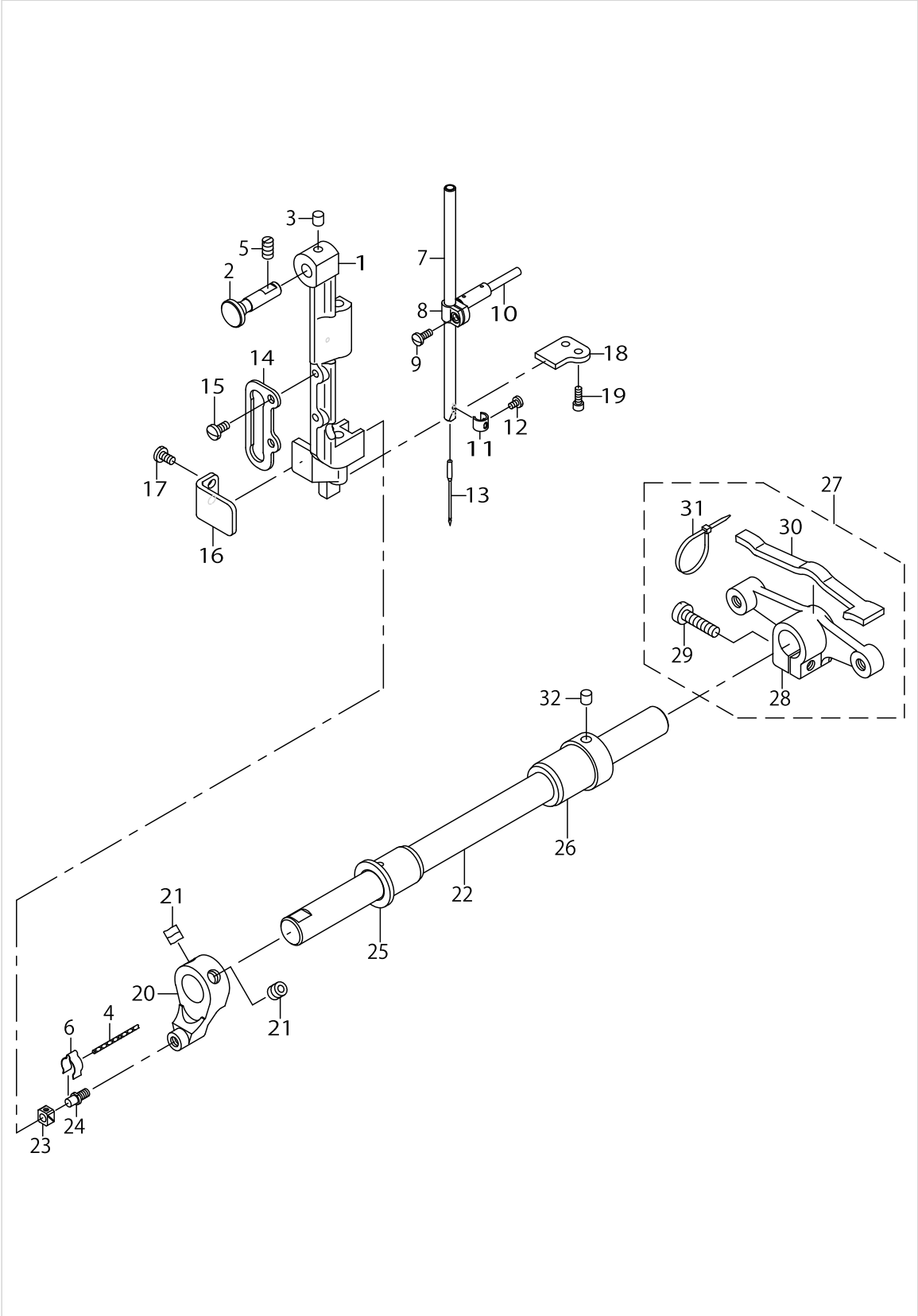
UPPER SHAFT, LOWER SHAFT DRIVING & BALANCE COMPONENTS



UPPER SHAFT,LOWER SHAFT DRIVING & BALANCE COMPONENTS

No.	Supply Code	Parts No.	Replacement	Parts name	Remarks	Choice	Step	Level	Cons	Qty	Rep. QTY
47		B1313055000		SAFETY CLUTCH KNOB SLEEVE						1	
48		21333901		SAFETY CLUTCH DISC						1	
49		SS8660530TP		SCREW 1/4-40 L=4.5						2	
50		40038700		THRUST COLLAR ASM.						1	
51	R	40038702	40038700	THRUST COLLAR				*		1	1.00
52		SS8661030SP		SCREW 1/4-40 L=10				*		2	
53		SB120000200		BEARING 20X42				*		1	
54		SS7120760SP		SCREW 3/16-28 L=7.0						2	
55		21353008		HORIZONTAL FEED CAM COVER						1	
56		SS7110710SP		SCREW 11/64-40 L=7						2	
57		21333406		BALANCER						1	
58		SS8151550SP		SCREW15/64-28L=15						2	
59		SS8150710TP		SCREW 15/64-28 L=7						1	
60		TA0750704R0		RUBBER PLUG						1	
61		40016148		THRUST COLLAR B WASHER						1	

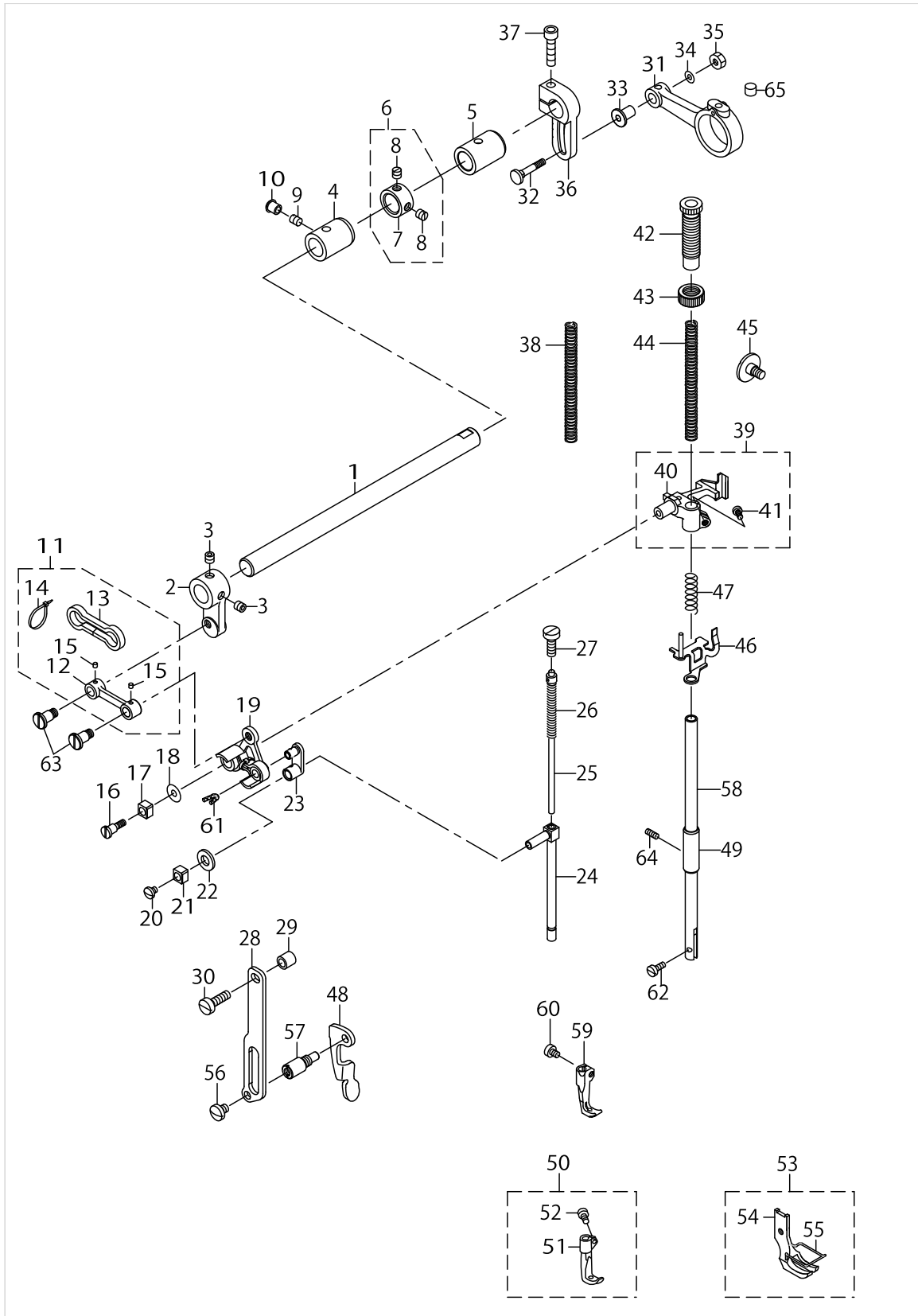
NEEDLE BAR ROCKING COMPONENTS



NEEDLE BAR ROCKING COMPONENTS

No.	Supply Code	Parts No.	Replacement	Parts name	Remarks	Choice	Step	Level	Cons	Qty	Rep. QTY
1		B1420563000		NEEDLE BAR FRAME						1	
2		21405204		HINGE STUD						1	
3		22814909		FELT						1	
4		CQ202000000		OIL WICK						.05	
5		SS8151150TP		SCREW 15/64-28 L=10.5						1	
6		B1437051000		OIL WICK RETAINER						1	
7		B1401053000		NEEDLE BAR						1	
8	D	B1411053000		NEEDLE BAR CONNECTION						1	
9	R	SS7090910SP	SS7090910TP	SCREW 9/64-40 L=8.5						1	1.00
10		B1412051000		FELT						1	
11		10308609		THREAD GUARD						1	
12		SS7080510TP		SCREW 1/8-44 L=4.5						1	
13		M13517B1600		NEEDLE 135X17 #160						1	
14		B1467563000		UPPER FEED BAR GUIDE						1	
15		SS7110910TP		SCREW 11/64-40 L=8.5						2	
16		21388400		ROCKING BASE GUIDE						1	
17		SS7110830SP		SCREW 11/64-40 L=7.5						2	
18		21338603		ROCKING BASE GUIDE (B)						1	
19		SS6091022TP		SCREW						2	
20		21338801		ROCKINGFRONTARM						1	
21		SM8080802TP		SCREW						2	
22		21338900		ROCKING SHAFT						1	
23		B1414232000		SQUARE BLOCK						1	
24		B1410771000		STUD						1	
25		21339304		ROCKING SHAFT FRONT METAL						1	
26		40027746		BUSHING REAR						1	
27		21339056		ROCKING REAR ARM ASM.						1	
28		21339007		ROCKING REAR ARM				*		1	
29		SS6152440SP		SCREW 15/64-28 L=23.5				*		1	
30		21347406		ROCKING REAR ARM FELT				*		1	
31		EA9500B0100		CABLE BAND				*		2	
32		22814909		FELT						1	

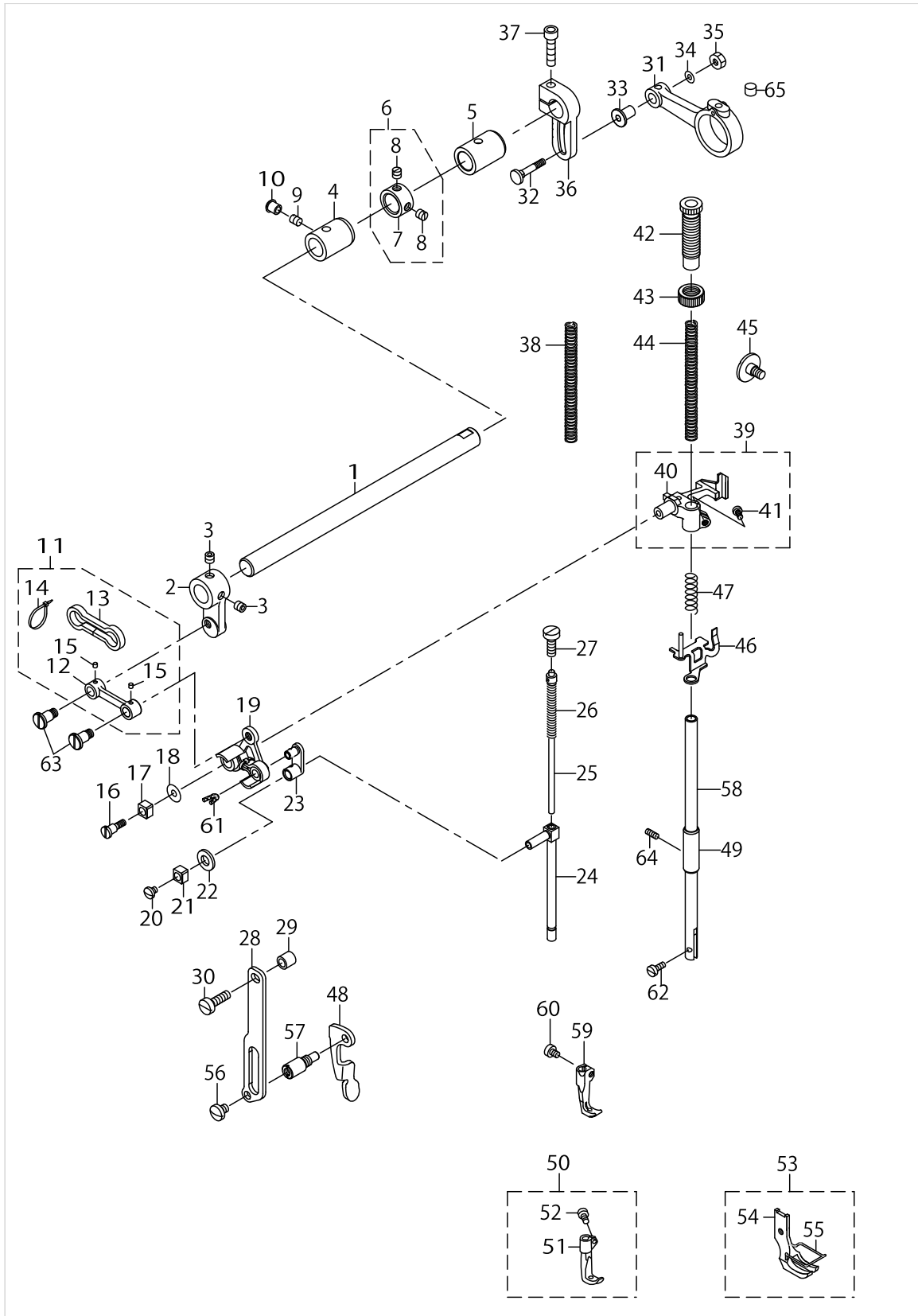
PRESSURE ADJUSTING & UPPER FEED MECHANISM COMPONENTS



PRESSURE ADJUSTING & UPPER FEED MECHANISM COMPONENTS

No.	Supply Code	Parts No.	Replacement	Parts name	Remarks	Choice	Step	Level	Cons	Qty	Rep. QTY
1		21340401		UPPER FEED SHAFT						1	
2		21340500		UPPER FEED FRONT ARM						1	
3		SS8660612TP		SCREW 1/4-40 L=6						2	
4		40039326		FRONT METAL						1	
5		21378302		FEED SHAFT METAL						1	
6		22904155		MAIN SHAFT THRU-ST COLLAR ASM.						1	
7	R	22904106	22904155	MAIN SHAFT THRUST COLLAR				*		1	1.00
8		SS8660610TP		SCREW 1/4-40 L=6				*		2	
9	R	SS8150710SP	SS8150710TP	SCREW 15/64-28 L=7						1	1.00
10		TA0750704R0		RUBBER PLUG						1	
11		40033027		UPPER FEED LINK ASM.						1	
12		40033026		UPPER FEED LINK				*		1	
13		21347109		FELT				*		1	
14		EA9500B0000		CLIP CV-70S				*		2	
15		CQ3000000F0		OIL FELT				*		0.-0028	
16		40018339		SCREW						1	
17		B1414555000		SLIDE BLOCK						1	
18		WP0501046SC		WASHER 5X13X1						1	
19		40033029		TRIANGULAR LEVER ASM.						1	
20		SS7110510SP		SCREW 11/64-40 L=5						1	
21		B1414555000		SLIDE BLOCK						1	
22		10509701		FELT						1	
23		40018341		WALKING BAR DRIVING LINK						1	
24		40033030		WALKING BAR A						1	
25		B14670530A0		WALKING BAR ASM.						1	
26		B1468053000		WALKING BAR SPRING						1	
27		SS6151780SP		SCREW 15/64-28 L=17.0						1	
28		21406509		UPPER FEED GUIDE PLATE						1	
29		26225201		ROLLER						1	
30		SS6151920SP		SCREW 15/64-28 L=19.0						1	
31		21340104		UPPER FEED ROD						1	
32		D1456055B00		HINGE SCREW						1	
33		D1455055B00		CONNECTING STUD						1	
34		WP0482086SD		WASHER 4.8X11.5X2						1	
35		NS6110530SP		NUT 11/64-40						1	
36		21437900		UPPER FEED REAR ARM						1	
37		SM6062502TP		SCREW M6 L=25						1	
38		B1510141H00		PRESSER SPRING	OPTIONAL PARTS					1	
39		40033032		PRESSER BAR HOLDER A ASM.						1	
40		40033031		PRESSER BAR HOLDER A				*		1	
41		SS7110910TP		SCREW 11/64-40 L= 8.5				*		1	
42		21340906		PRESSER ADJUSTING SCREW						1	
43	R	22907604	22907554	PRESSER SPRING REGULATOR NUT						1	1.00
44		B1502246000		PRESSER SPRING						1	
45		SD0800481SP		HINGE SCREW D=8 H=4.9						1	

PRESSURE ADJUSTING & UPPER FEED MECHANISM COMPONENTS

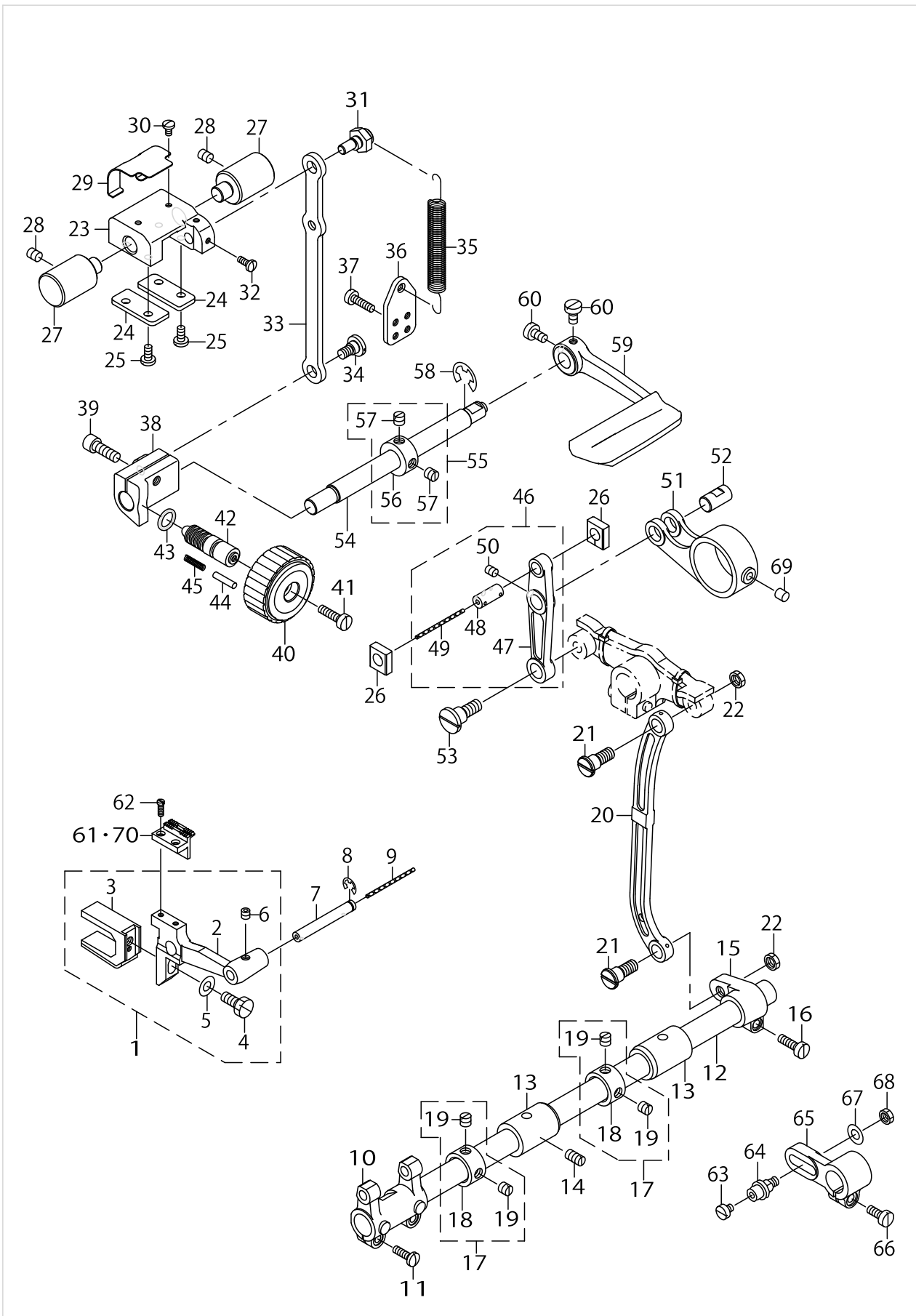


PRESSURE ADJUSTING & UPPER FEED MECHANISM COMPONENTS

No.	Supply Code	Parts No.	Replacement	Parts name	Remarks	Choice	Step	Level	Cons	Qty	Rep. QTY
46		21341151		THREAD RELEASE HOLDING PLATE						1	
47		B1462053000		THREAD RELEASE SPRING						1	
48		21406103		PRESSER LIFTER LEVER						1	
49		B1510155000		PRESSER BAR LOWER BUSHING						1	
50		B1470241HA0		WALKING FOOT ASM.						1	
51	R	B1470241H00	B1470241HA0	WALKING FOOT				*		1	1.00
52		B1471241H00		SCREW				*		1	
53		B1525241HA0		PRESSER FOOT ASM.						1	
54	R	B1525241H00	B1525241HA0	PRESSER FOOT				*		1	1.00
55		10337905		FINGER GUARD				*		1	
56		SS7150740SP		SCREW 15/64-28 L=7						1	
57		21406608		GUIDE PLATE SPACER						1	
58		B1501241H00		PRESSER BAR						1	
59		21350004		UPPER FEED FOOT	OPTIONAL PARTS					1	
60		B1471241H00		SCREW	OPTIONAL PARTS					1	
61		CQ252000000		OIL WICK						.02	
62		SS6090910TP		SCREW 9/64-40 L=9						1	
63		40018340		SCREW						2	
64		SS8111010TP		SCREW 11/64-40 L=9.5						1	
65		22814909		FELT						1	



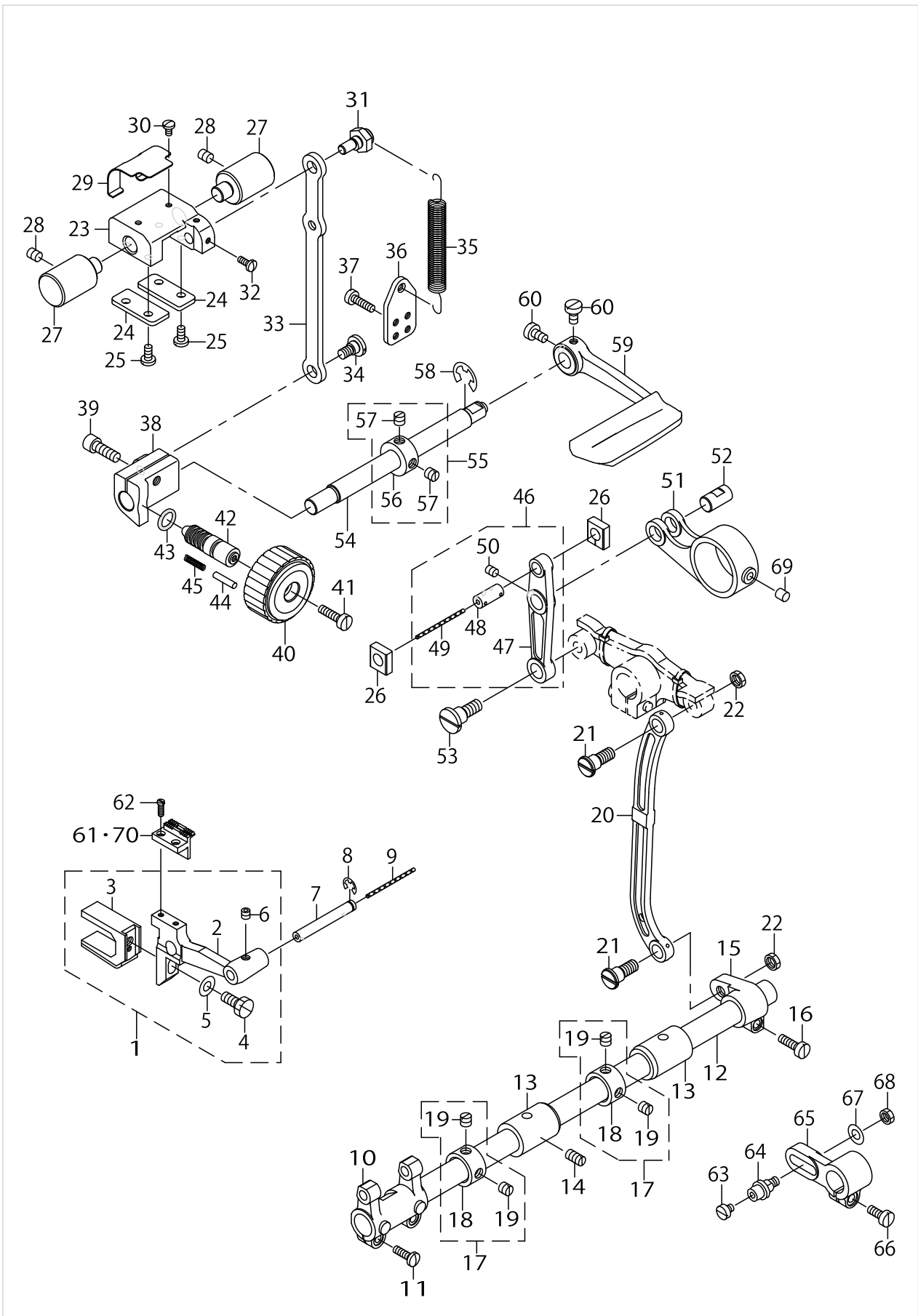
FEED MECHANISM COMPONENTS



FEED MECHANISM COMPONENTS

No.	Supply Code	Parts No.	Replacement	Parts name	Remarks	Choice	Step	Level	Cons	Qty	Rep. QTY
1		21336052		FEED BASE ASM. (A)						1	
2	R	21336003	21336052	FEED BASE		A	LU1508	*		1	1.00
2	R	21336003	21336060	FEED BASE		B	LU1510	*		1	1.00
3		B1604051000		FEED BAR SLIDE FORK				*		1	
4		SS9151440CP		SCREW15/64-28L=14				*		1	
5		WP0621016SD		WASHER 6.2X13X1				*		1	
6		SM8050502TP		SCREW M5 L=5				*		1	
7		B1604012000A		FEED BAR SHAFT						1	
8		RE0500711KP		SNAP RING 5						1	
9		CQ202000000		OIL WICK						14	
10		21364104		FEED ROCKER						1	
11		SS7111410TP		SCREW11/64-40L=14						2	
12		22609408		FEED ROCK SHAFT						1	
13		21378302		FEED ROCK SHAFT METAL						2	
14		SS8151150TP		SCREW 15/64-28 L=10.5						1	
15		22609309		FEED ROCKER SHAFT CRANK						1	
16		SS6121610TP		SCREW 3/16-28 L=15.5						1	
17		22904155		MAIN SHAFT THRU-ST COLLAR ASM.						2	
18	R	22904106	22904155	MAIN SHAFT THRUST COLLAR				*		1	1.00
19		SS8660610TP		SCREW 1/4-40 L=6				*		2	
20		10205201		NEEDLE BAR FRAME ROD						1	
21		SD0900701TP		HINGESCREWD=9H=7						2	
22		NS6680320SP		NUT 9/32-28						2	
23		21337506		FEED ADJUSTING BASE						1	
24		21337704		FEED ADJUSTING BASE COVER						2	
25		SS7110910TP		SCREW 11/64-40 L=8.5						4	
26		21337407		SQUARE BLOCK						2	
27		21337803		FEED ADJUSTING BASE SUPPORT						2	
28		SS8150822TP		SCREW 15/64-28 L=8						2	
29		21338306		FELT SUPPORT						1	
30		SS7090610SP		SCREW 9/64-40 L=6						2	
31		21337902		ECCENTRIC PIN						1	
32		SS7090910TP		SCREW 9/64-40 L=8.5						2	
33		21337308		FEED ADJUSTING ROD						1	
34		SD0800402TP		HINGESCREWD=8H=4						1	
35		21337605		SPRING						1	
36		40019926		SPRING HOOK						1	
37		SS6111610SP		SCREW11/64-40L=16						2	
38		21337209		FEED ADJUSTING A						1	
39		SM6061802TP		SCREW M6 L=18						1	
40		21336805		FEED DIAL A						1	
41		SS6121860SP		SCREW 3/16-28 L=18						1	
42		22911804		FEED REGULATOR SCREW						1	
43		RO092270200		RUBBER RING						1	
44		22912000		FEED REGULATOR PIN						1	
45		22912109		FEED REGULATOR PIN SPRING						1	

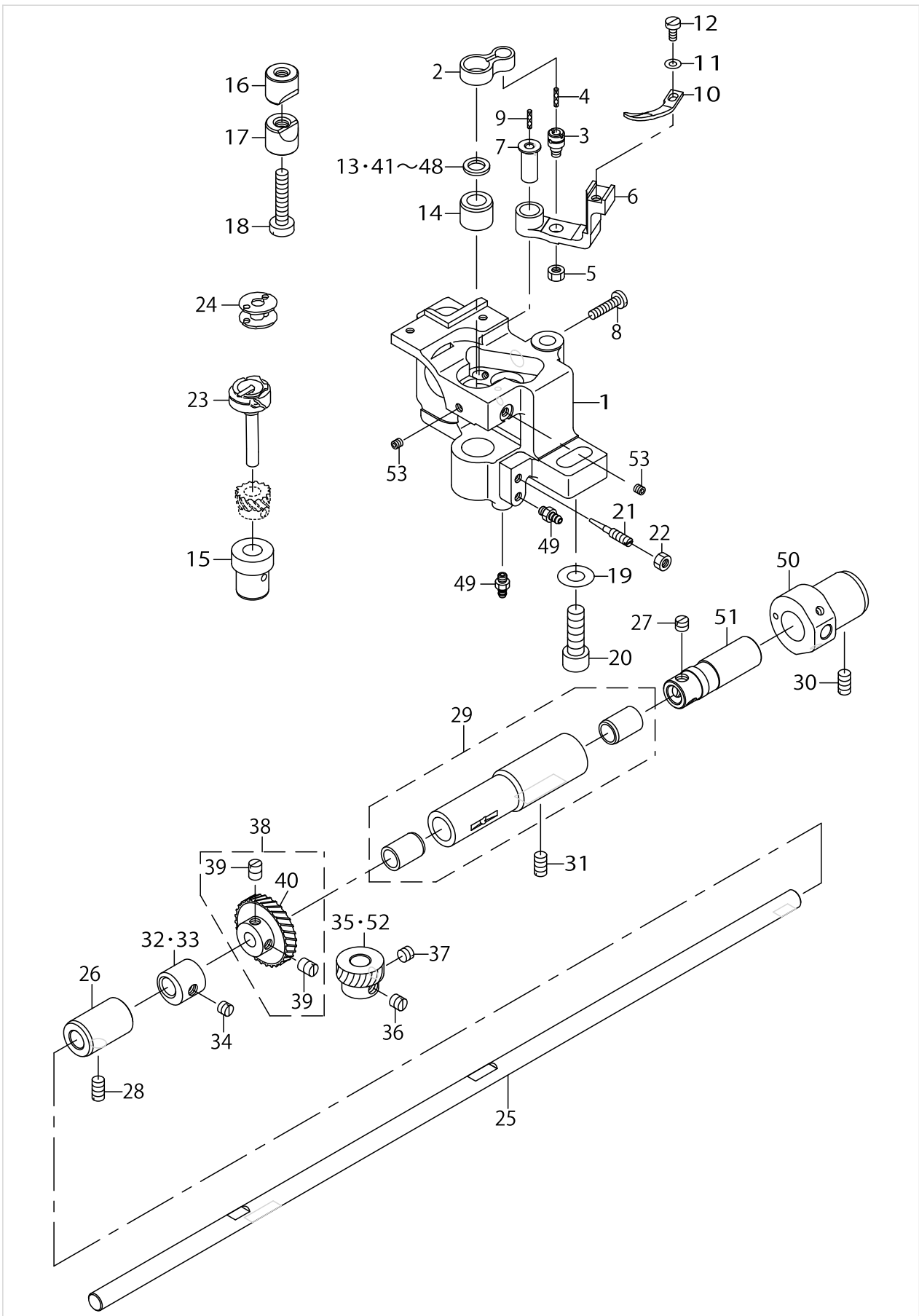
# FEED MECHANISM COMPONENTS



FEED MECHANISM COMPONENTS

No.	Supply Code	Parts No.	Replacement	Parts name	Remarks	Choice	Step	Level	Cons	Qty	Rep. QTY
46		21336656		FEED LINK ASM.						1	
47		21336607		FEED LINK				*		1	
48	R	B1418761000	40009103	CONNECTING FORKED LINK PIN				*		1	1.00
49		CQ202000000		OIL WICK				*		0.04	
50		SM8050612TP		SCREW M5X6				*		1	
51		21336706		FEED ROD A						1	
52		21378906		FEED LINK PIN						1	
53		SD1000801SH		HINGE SCREW D=10 H=8						1	
54		21336300		BACKWARD FEED LEVER SHAFT						1	
55		CS1201010SH		THRUST COLLAR ASM. D=12 W=10						1	
56		CS1201011SH		THRUST COLLAR D=12 W=10				*		1	
57		SS8660610TP		SCREW 1/4-40 L=6				*		2	
58		RE0900000K0		E-RING 9						1	
59		21388004		REVERSE FEED CONTROL LEVER						1	
60		SS6120930TP		SCREW 3/16-28 L=9						2	
61		21349303		FEED DOG (2.5X7.2)						1	
62		B1611055000		SCREW						2	
63		SS6110520TP		SCREW 11/64-40 L=4.5	OPTIONAL PARTS					1	
64		10122000		CONNECTING PIN	OPTIONAL PARTS					1	
65		B3025141H00A		CONNECTING ARM	OPTIONAL PARTS					1	
66		SS6121210TP		SCREW 3/16-28 L=12	OPTIONAL PARTS					1	
67		WP0650876SD		WASHER 6.5X13X0.8	OPTIONAL PARTS					1	
68		NS6150310SP		NUT 15/64-28	OPTIONAL PARTS					1	
69		21387402		FELT						1	
70		21349204		FEED DOG (2.5X3.5)	OPTIONAL PARTS					1	

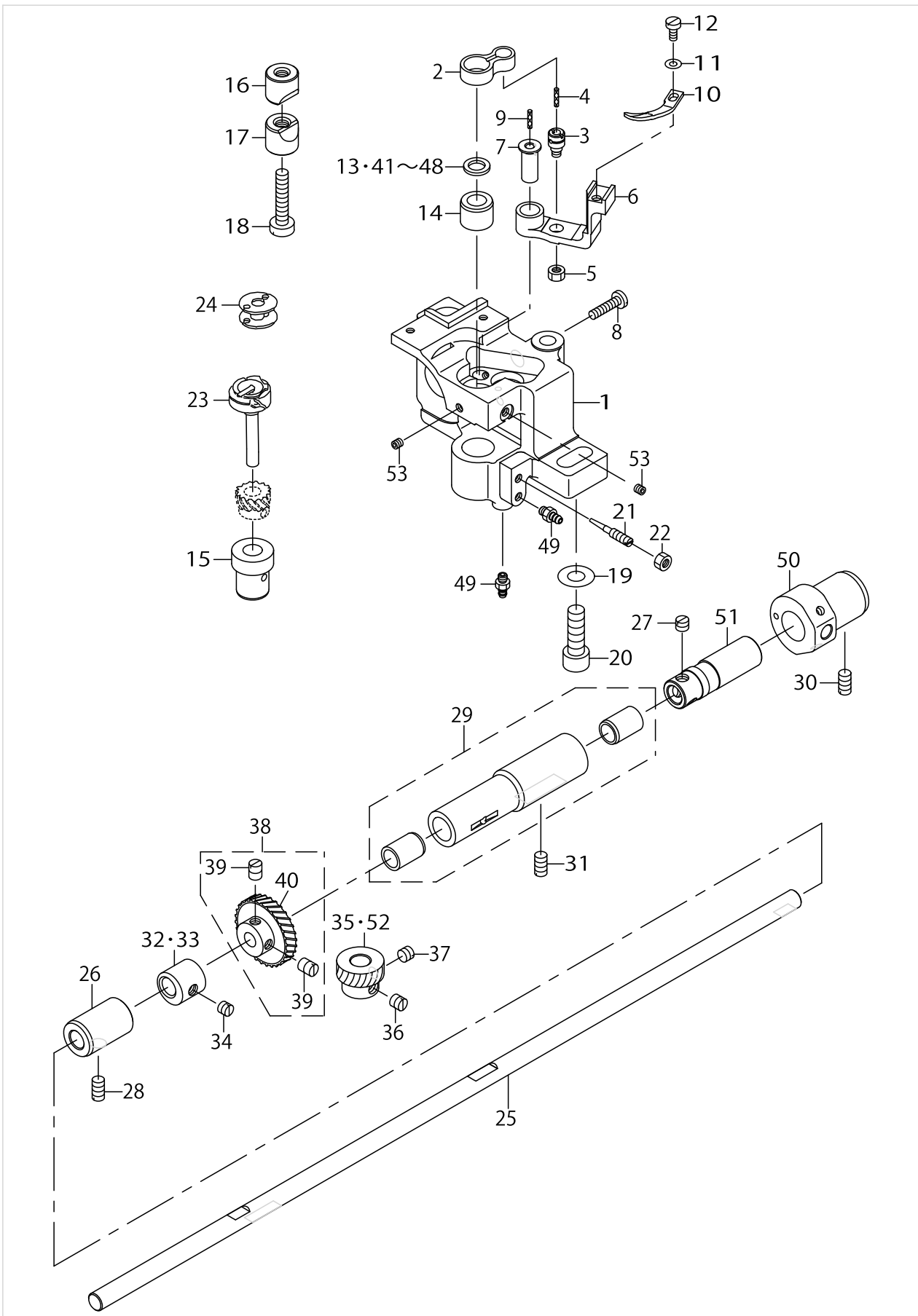
HOOK SHAFT & LOWER SHAFT COMPONENTS



## HOOK SHAFT & LOWER SHAFT COMPONENTS

No.	Supply Code	Parts No.	Replacement	Parts name	Remarks	Choice	Step	Level	Cons	Qty	Rep. QTY
1		21335104		HOOK SHAFT BASE (RIGHT)						1	
2		B1820563000		BOBBIN CASE OPENING LEVER LINK						1	
3		B1821051000		CRANK SCREW STUD						1	
4		CQ202000000		OIL WICK						.01	
5		NS6110420SP		NUT 11/64-40						1	
6		B1822563000		BOBBIN CASE OPENING LEVER CRANK						1	
7		B1823051000		OPENING LEVER CRANK PIN						1	
8	R	SS7111810SP	SS7111810TP	SCREW 11/64-40 L=18						1	1.00
9		CQ202000000		OIL WICK						.01	
10		B1824563000		BOBBIN CASE OPENING LEVER						1	
11		WP0371016SD		WASHER 3.7X8X1						1	
12		SS6090810SP		SCREW 9/64-40 L=7.5						1	
13		10111102		THRUST WASHER 1.3	SELECTIVE PARTS					1	
14		21378500		HOOK SHAFT UPPER METAL						1	
15		21334701		HOOK SHAFT LOWER METAL						1	
16		10109908		SADDLE INSTALLING BLOCK UPPER						1	
17		10112407		SADDLE INSTALLING BLOCK LOWER						1	
18		SS6153040SP		SCREW 15/64-28 L=30						1	
19		WP0850002SP		WASHER 8.5X18X1.6						1	
20		SM6082502TP		SCREW M8 L=25						1	
21		B1834512000A		OIL ADJUSTING SCREW						1	
22		NS6110420SP		NUT 11/64-40						1	
23		B18305630A0		VERTICAL-AXIS SEWING HOOK ASM.						1	
24		B9117563000		BOBBIN						1	
25		21333604		LOWER SHAFT						1	
26		21427307		LOWER SHAFT METAL REAR						1	
27		SS8660530TP		SCREW 1/4-40 L=4.5						3	
28		SS8151150TP		SCREW 15/64-28 L=10.5						1	
29		B18035150A0		BUSHING ASM. INTERMEDIATE						1	
30		SS8151150TP		SCREW 15/64-28 L=10.5						1	
31		SS8151150TP		SCREW 15/64-28 L=10.5						1	
32		B184005100A		VERTICAL FEED CAM	OPTIONAL PARTS					1	
33		B1840051000		FEED DRIVING ECCENTRIC						1	
34		SS8150510TP		SCREW 15/64-28 L=4.7						1	
35		B1817051000		HOOK DRIVING SHAFT GEAR SMALL	SELECTIVE PARTS					1	
36		SS8660670SP		SCREW 1/4-40 L=6.1						1	
37		SS8660530TP		SCREW 1/4-40 L=4.5						1	
38		40162860		HOOK DRIVING SHAFT GEAR ASM						1	
39		SS8660810TP		SCREW 1/4-40 L=8				*		2	
40		B1816051000		HOOK DRIVING SHAFT GEAR LARGE				*		1	
41		10109700		THRUST WASHER A	SELECTIVE PARTS					1	
42		10109809		THRUST WASHER B	SELECTIVE PARTS					1	
43		10110906		BUSHING THRUST 1.1	SELECTIVE PARTS					1	
44		10111003		THRUST WASHER 1.2	SELECTIVE PARTS					1	

# HOOK SHAFT & LOWER SHAFT COMPONENTS

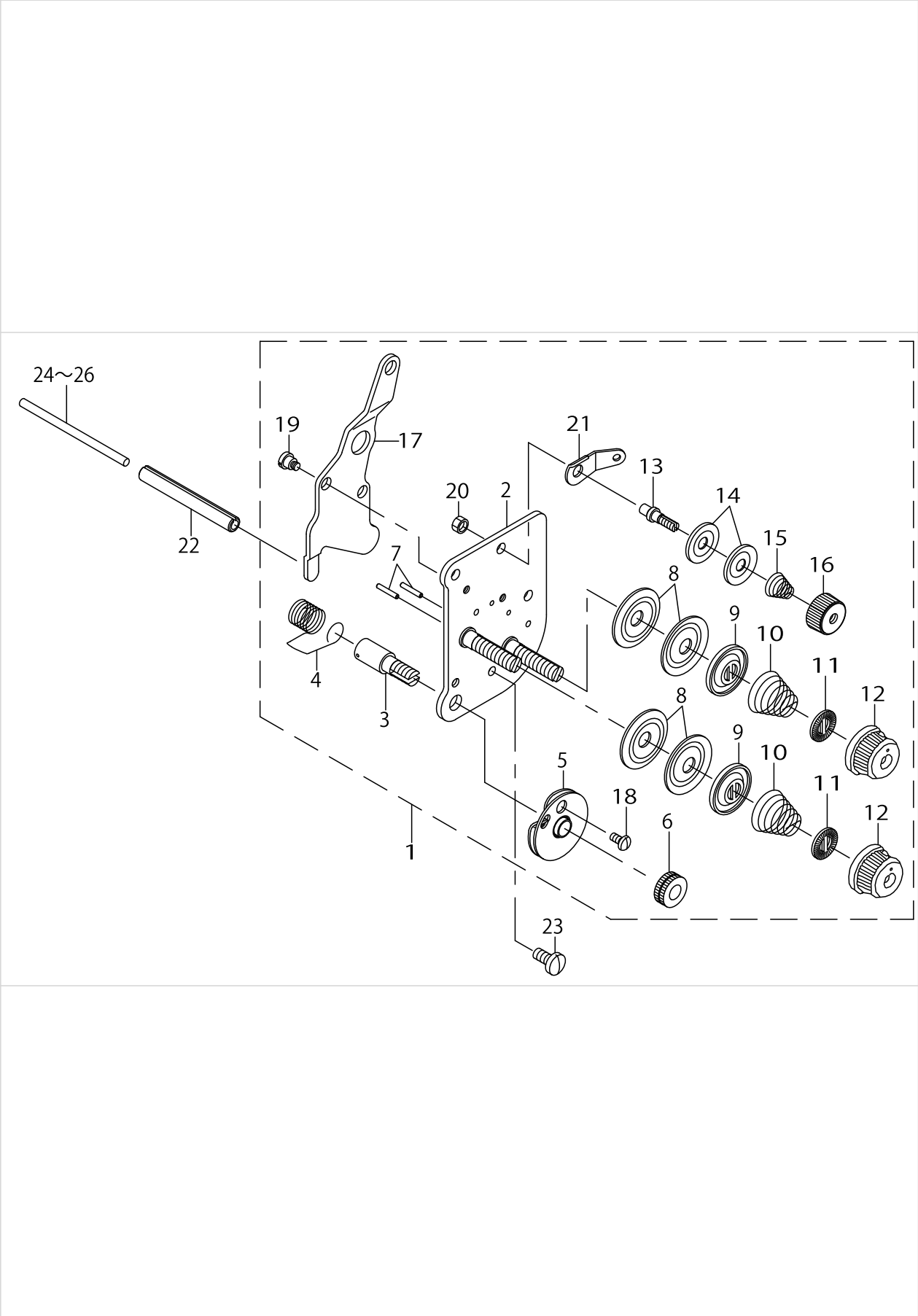


## HOOK SHAFT & LOWER SHAFT COMPONENTS

No.	Supply Code	Parts No.	Replacement	Parts name	Remarks	Choice	Step	Level	Cons	Qty	Rep. QTY
45		10111201		THRUST WASHER F	SELECTIVE PARTS					1	
46		10112506		THRUST WASHER 1.6	SELECTIVE PARTS					1	
47		10112605		THRUST WASHER 1.7	SELECTIVE PARTS					1	
48		10112704		THRUST WASHER 1.8	SELECTIVE PARTS					1	
49		SQ1110401MZ		CONNECTING SCREW						2	
50		22611701		PLUNGER BUSHING B						1	
51		22611909		OIL PUMP SHAFT						1	
52		40042611		HOOK DRIVING SHAFT GEAR	SELECTIVE PARTS					1	
53		SS8110422TP		SCREW 11/64-40 L=4						2	



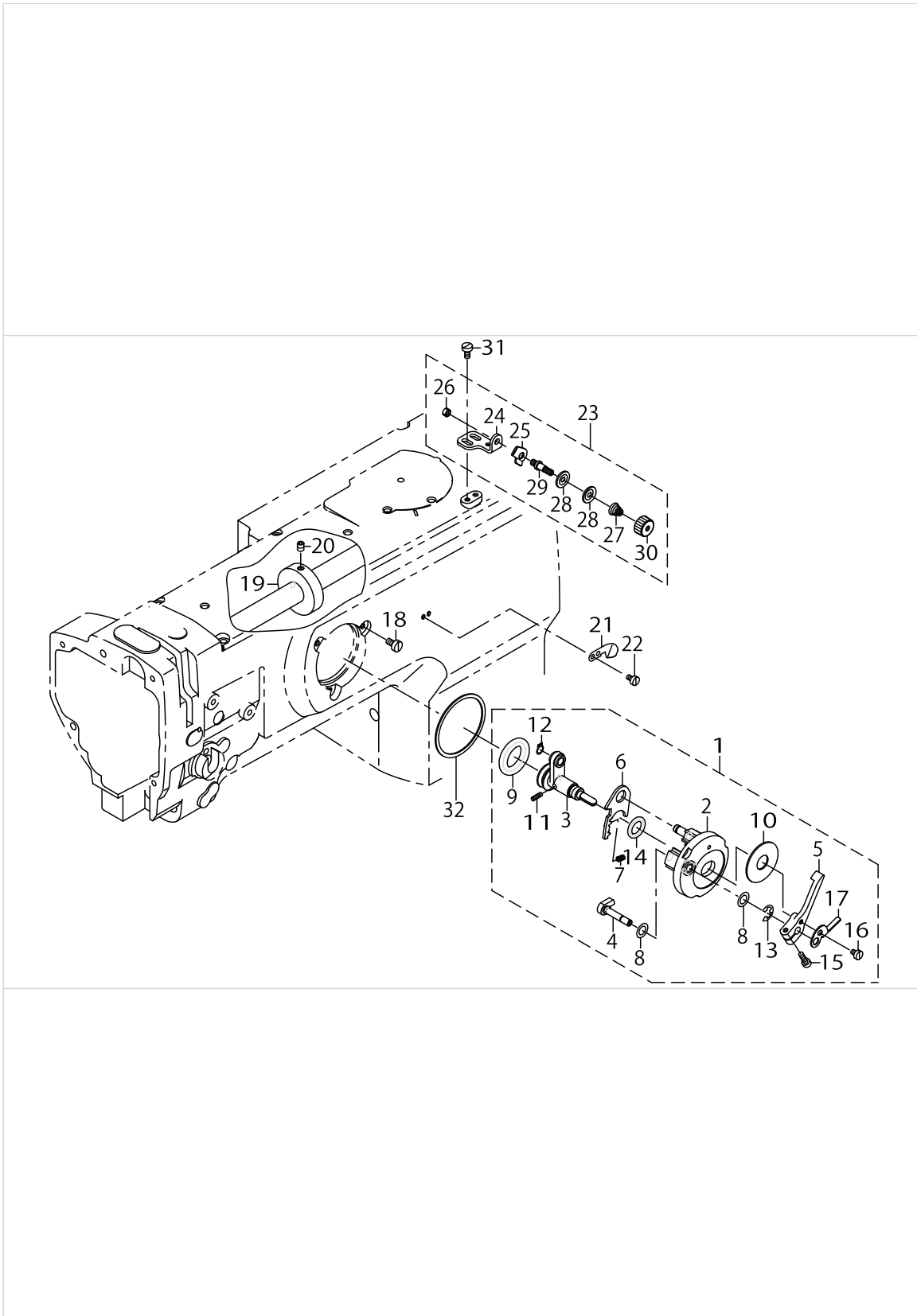
THREAD TENSION COMPONENTS



THREAD TENSION COMPONENTS

No.	Supply Code	Parts No.	Replacement	Parts name	Remarks	Choice	Step	Level	Cons	Qty	Rep. QTY
1		40103925		THREAD TENSION ASM.						1	
2		21441050		TENSION POST COMPL.				*		1	
3		10320109		SCREW STUD				*		1	
4		B3128520000		TENSION SPRING				*		1	
5		B31370510A0		TAKE-UP SPRING GUIDE DISC ASM.				*		1	
6	R	B3125012000	22928808	THREAD TENSION NUT				*		1	1.00
7		22618201		TENSION RELEASE PIN A				*		2	
8		13138201		THREAD TENSION DISK				*		4	
9		22617906		THREAD TENSION DISK PRESSER				*		2	
10		B3129526000		TENSIONS PRING(1.2)				*		2	
11		22921407		ROTATION STOPPER				*		2	
12		22921308		THREAD TENSION NUT				*		2	
13		10124204		THREAD TENSION POST A				*		1	
14		10741106		FIRST THREAD TENSION PLATE				*		2	
15		22945505		THREAD TENSION SPRING				*		1	
16		22945703		THREAD TENSION NUT				*		1	
17		21441100		TENSION RELEASE PLATE				*		1	
18		SS4080620TP		SCREW 1/8-44 L=6				*		1	
19		SD0470281SP		HINGE SCREW D=4.7 H=2.8				*		2	
20		NS6110310SP		NUT 11/64-40				*		1	
21		D3162555B00		THREAD GUIDE				*		1	
22		PS0600502KP		SPRING PIN						1	
23		SS7110910TP		SCREW 11/64-40 L=8.5						2	
24		21348206		TENSION RELEASE BAR	SELECTIVE PARTS					1	
25		10321107		TENSION RELEASE BAR	SELECTIVE PARTS					1	
26		23006406		TENSION RELEASE BAR						1	

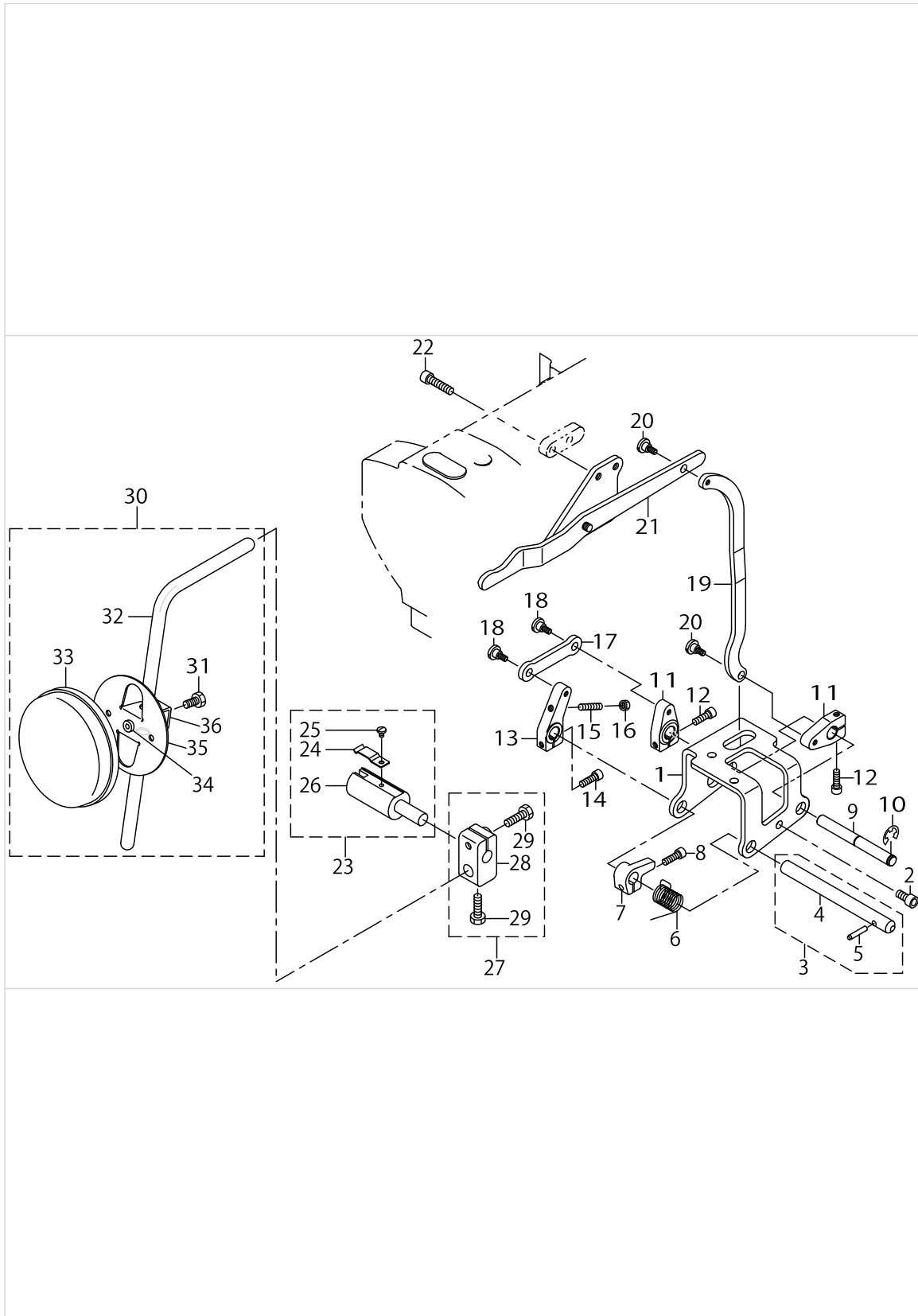
LOWER THREAD WINDER MECHANISM COMPONENTS



LOWER THREAD WINDER MECHANISM COMPONENTS

No.	Supply Code	Parts No.	Replacement	Parts name	Remarks	Choice	Step	Level	Cons	Qty	Rep. QTY
1		21357967		BOBBIN DEVICE ASM.						1	
2		22537658		BOBBIN FITTING BASIS COMPL.				*		1	
3		21357959		BOBIN SHAFT COMPL.				*		1	
4		22538151		BOBBIN CAM SHAFT COMPL.				*		1	
5		23636202		BOBBIN LEVER				*		1	
6		21356001		ADJUSTING PLATE				*		1	
7		B152989000CA		PRESSUR FOOT SPRING				*		1	
8		10618304		VERTICAL ROLLER WASHER				*		2	
9		A321600100A		RUBBER RING				*		1	
10		B3205210000		CUSHION				*		1	
11	R	B1148555000	22912109	SPRING				*		1	1.00
12		RC0560711KP		RETAINING RING				*		1	
13		RE0500000K0		E-RING				*		1	
14		RO092270200		RUBBER RING				*		1	
15		SS7091410SP		SCREW 9/64-40 L=13.5				*		1	
16		SS6090520SP		SCREW 9/64-40 L=5.0				*		1	
17		14512503		BOBBIN ADJUSTING PLATE				*		1	
18		SS6110810TP		SCREW 11/64-40 L=8						3	
19		10704807		BOBBIN FRICTION WHEEL						1	
20		SM8050602TP		SCREW M5 L=6						2	
21		10502300		THREAD CUTTER						1	
22	R	SS6090620SP	SS6090620TP	SCREW 9/64-40 L=6						2	1.00
23		21355755		LOWER THREAD GUIDE ASM.						1	
24	R	21355706	21355755	FITTING BASE				*		1	1.00
25		D3162555B00		THREAD GUIDE				*		1	
26		NS6110310SP		NUT 11/64-40				*		1	
27		22945505		THREAD TENSION SPRING				*		1	
28		40113092		THREAD TENSION DISK				*		2	
29	R	21378708	21355755	THREAD TENSION POST				*		1	1.00
30		22945703		THREAD TENSION NUT				*		1	
31		SM6040800SP		SCREW						2	
32		22538706		PACKING						1	

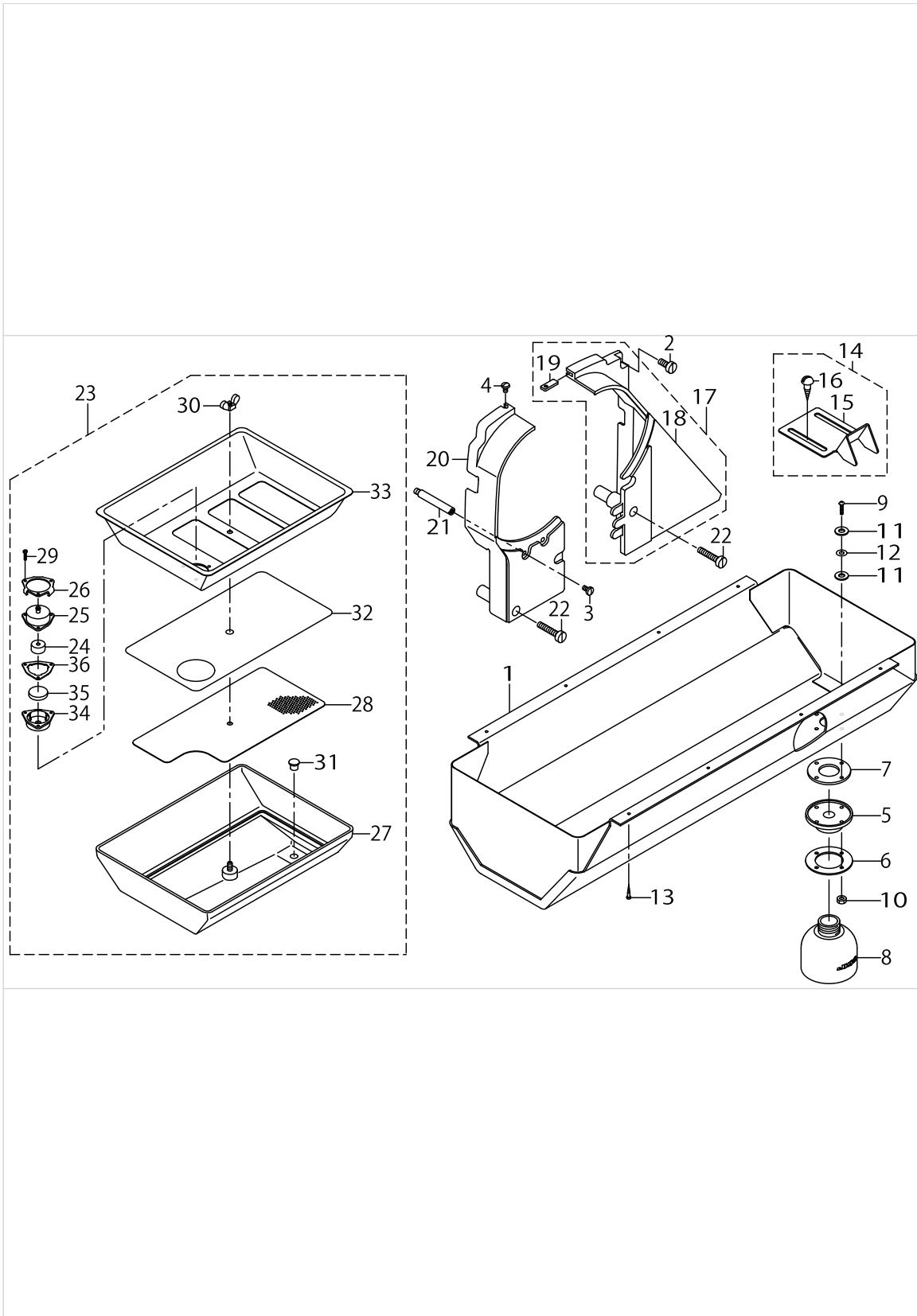
KNEE LIFTING COMPONENTS



KNEE LIFTING COMPONENTS

No.	Supply Code	Parts No.	Replacement	Parts name	Remarks	Choice	Step	Level	Cons	Qty	Rep. QTY
1		21343207		KNEE LIFTER SHAFT BASIS						1	
2		SM6061202TP		SCREW M6 L=12						3	
3		21342555		KNEE LIFTER SHAFT A ASM.						1	
4	R	21342506	21342555	KNEELIFTERSHAFTA				*		1	1.00
5	R	21342605	21342555	KNEE LIFTER SHAFT PIN				*		1	1.00
6		21343702		KNEE LIFTER SHAFT A SPRING						1	
7		21343801		KNEE LIFTER SPRING RACK						1	
8		SM6051602TP		SCREW M5X0.8 L=16						1	
9		21342704		KNEELIFTERSHAFTB						1	
10		RE0800000K0		E-SHAPED SNAP RING (8MM)						1	
11		21343009		KNEELIFTERLEVERB						2	
12		SM6052002TP		SCREW M5 L=20						2	
13		21342803		KNEELIFTERLEVERA						1	
14		SM6052002TP		SCREW M5 L=20						1	
15		SM8052502TP		SCREW M5X0.8 L=25						1	
16		NM6050001SD		NUT M5X0.8						1	
17		21342902		KNEE LIFTER LINK						1	
18		SD0700451TP		HINGE SCREW D=7 H=4.5						2	
19		21343405		KNEE LIFTER CONNECTING PLATE						1	
20		SD0700451TP		HINGE SCREW D=7 H=4.5						2	
21		21343355		KNEE LIFTER LEVER ASM.						1	
22		SM6062502TP		SCREW M6 L=25						2	
23		22863252		KNEE LIFTER JOINT ASM.						1	
24		B3428521000		PRESSER SPRING				*		1	
25		SS7090510SP		SCREW 9/64-40 L=4.6				*		1	
26	R	22863203	22863252	KNEE LIFTER JOINT				*		1	1.00
27		22932453		BRACKET ASM.						1	
28	R	22932404	22932453	BRACKET				*		1	1.00
29		22934707		SCREW				*		2	
30		21343157		KNEE PRESS PLATE ASM.						1	
31		SM9061203SE		SCREW M6 L=12				*		1	
32	R	21343108	21343157	KNEE PRESS LEVER				*		1	1.00
33		22934509		KNEE PAD PLATE COVER				*		1	
34		22934400		KNEE PAD PLATE RUBBER				*		1	
35		22934202		KNEE PAD PLATE				*		1	
36		22934301		KNEE PAD PLATE SUPPORT				*		1	

BELT COVER & OIL RESERVOIR COMPONENTS

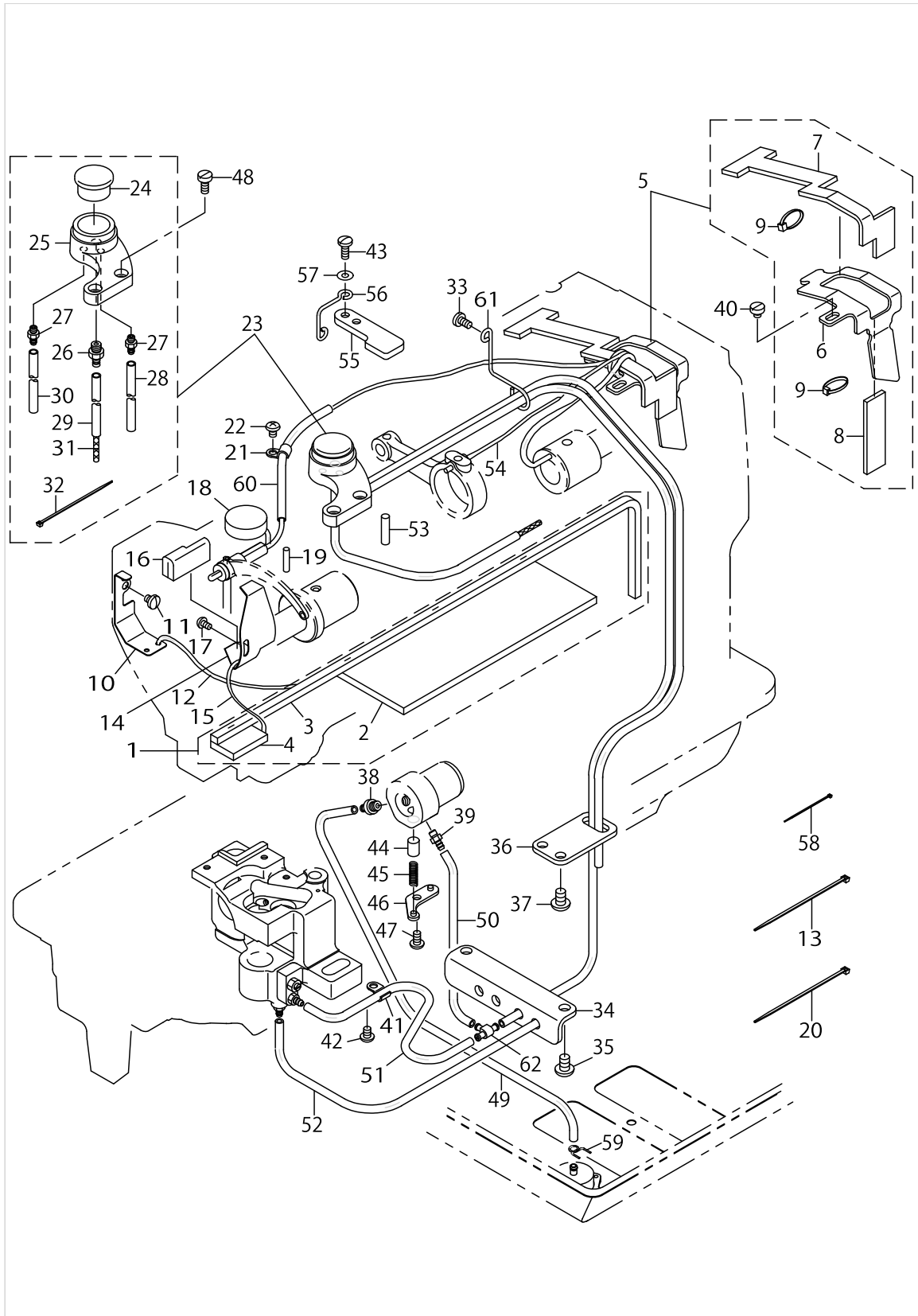


BELT COVER & OIL RESERVOIR COMPONENTS

No.	Supply Code	Parts No.	Replacement	Parts name	Remarks	Choice	Step	Level	Cons	Qty	Rep. QTY
1		21351457		OIL RESERVOIR ASM.						1	
2		SS6151440SP		SCREW15/64-28L=14						1	
3		SS7110840SP		SCREW 11/64-40 L=7.8						1	
4		SS5110740TP		SCREW 11/64-40 L=6.5						1	
5		40025299		OIL POT JOINT						1	
6		21379003		OIL MANAGEMENT WASHER						1	
7		B8112220000		OIL SEAL						1	
8		40025300		OIL POT						1	
9		SM3031401SE		SCREW M3X0.5 L=14						4	
10		NM6030001SC		NUT M3						4	
11		10748101		OIL REMOVING SET- SCREW PACKING						8	
12		WP0320501SC		WASHER M3						4	
13		SK3241601SC		WOOD SCREW D=2.4 L=16						8	
14		10755254		BELT COVER C ASM. (FOR JE)						1	
15		10755205		BELT COVER C(JE)				*		1	
16	R	SK3482500SC	SK3482501SE	WOOD SCREW D=4.8 L=25				*		2	1.00
17		21351150		BELT COVER ASM. (RIGHT)						1	
18	R	21351101	21351150	BELT COVER (RIGHT)				*		1	1.00
19		21351002		BELT COVER AUXILIARY PLATE				*		1	
20		21351200		BELT COVER (LEFT)						1	
21		D8232241E00		BELT COVER SUPPORT A						1	
22		SS6153040SP		SCREW15/64-28L=30						2	
23		21345350		OIL TANK ASM.						1	
24		10727303		FILTER				*		1	
25		10727204		FILTER CAP				*		1	
26		10753002		FILTER PLATE				*		1	
27		21345301		OIL TANK				*		1	
28		21346804		COVER(LOWER)				*		1	
29		SM6021000TP		SCREW				*		3	
30		NM9050001SC		WING NUT M5X0.8				*		1	
31		TA0800704R0		RUBBER PLUG				*		1	
32		21346903		FILTER				*		1	
33		21346705		COVER(REAR)				*		1	
34		21345509		FILTER CASE				*		1	
35		B8228125000		OIL RESERVOIR MAGNET				*		1	
36		10739209		FILTER PACKING				*		1	



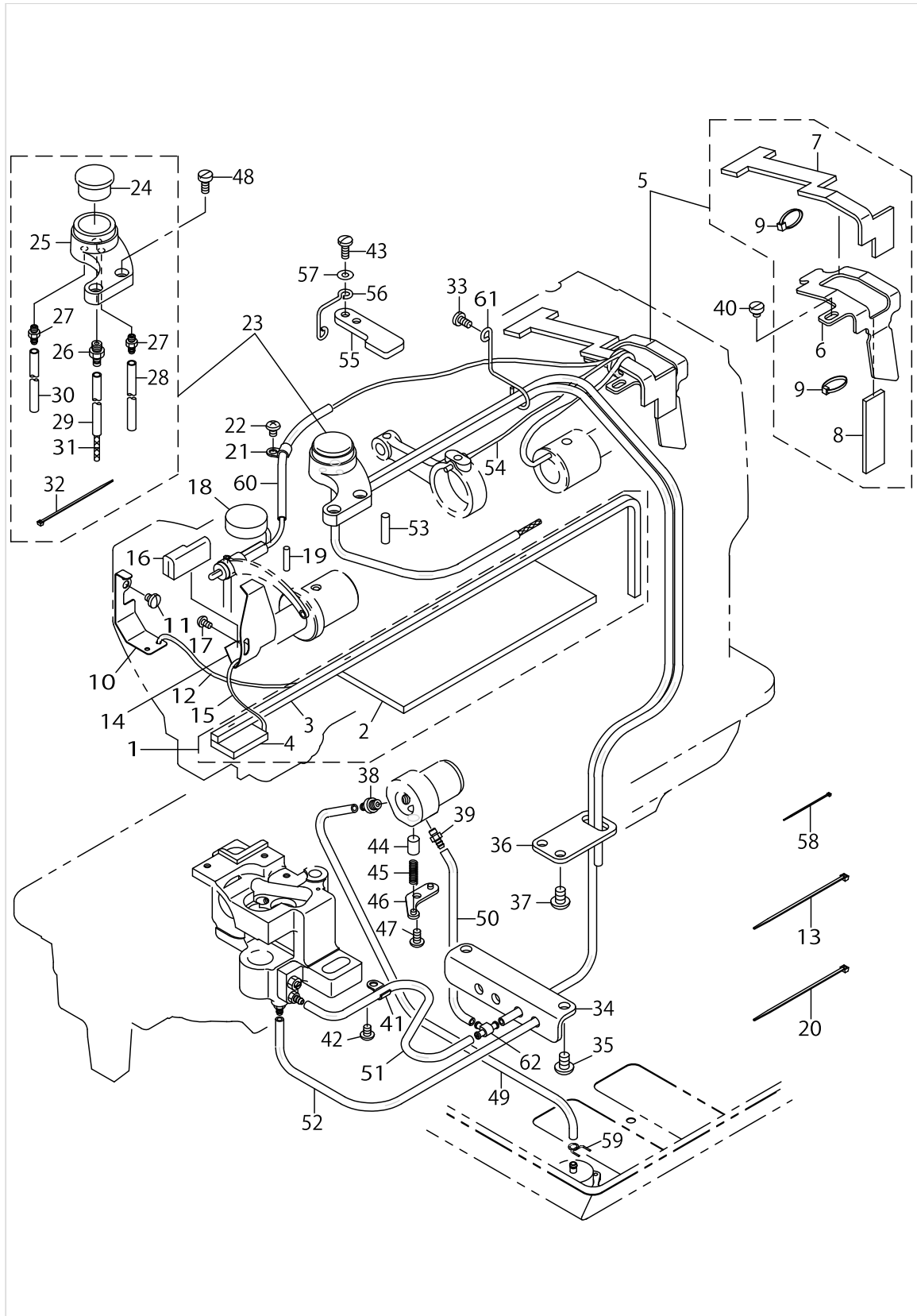
LUBRICATION COMPONENTS



LUBRICATION COMPONENTS

No.	Supply Code	Parts No.	Replacement	Parts name	Remarks	Choice	Step	Level	Cons	Qty	Rep. QTY
1		21345756		ARM ONCE THROU- GH OIL FELT ASM.						1	
2		21345707		ARM ONCE THROUGH FELT A				*		1	
3		21345806		FELT B				*		1	
4		21345905		FACE ONCE THROUGH FELT				*		1	
5		21346358		FELT SUPPORT ASM.						1	
6		21346309		FELT				*		1	
7		21346507		FEED CHANGE FELT				*		1	
8		21346408		FELT				*		1	
9		EA9500B0000		CLIP CV-70S				*		2	
10		21340708		UPPER FEED OIL BAR PLATE						1	
11		SS7110510SP		SCREW 11/64-40 L=5						1	
12		CQ202000000		OIL WICK						.2	
13		EA9500B0100		CABLE BAND						1	
14		B1140051000		TAKE-UP OIL SPLASHER						1	
15		CQ202000000		OIL WICK						.25	
16		21347208		TAKE-UP LUBRICATION FELT						1	
17		SS3090610SP		SCREW 9/64-40 L=6						1	
18		21346002		FELT						1	
19		B1412051000		FELT						1	
20		A407855000A		CLIP BAND						1	
21		B3538112000		OIL RETURN TUBE HOLDER						1	
22		SS4110615SP		SCREW 11/64-40 L=6						1	
23		40051503		ARM OIL TANK ASM.						1	
24		B3520586000		OIL SIGHT WINDOW				*		1	
25	R	21345608	21345657	ARM OIL TANK				*		1	1.00
26		SQ1110401MZ		CONNECTING SCREW				*		1	
27		SQ11150451MZ		CONNECTING SCREW				*		2	
28		23630007		TUBE				*		0.5	
29		23630007		TUBE				*		0.2	
30		23630007		TUBE				*		0.6	
31		CQ252000000		OIL WICK				*		0.7	
32		EA9500B0100		CABLE BAND				*		3	
33		SS7110830SP		SCREW 11/64-40 L=7.5						1	
34		21345103		LUBRICATION BRACKET						1	
35		SS4150915SP		SCREW 15/64-28 L=9						2	
36		21345202		OIL PIPE STAY						1	
37		SS4150915SP		SCREW 15/64-28 L=9						2	
38		40064409		CONNECTION SCREW ASM.						1	
39		SQ1110401MZ		CONNECTING SCREW						1	
40		SS6110480SP		SCREW 11/64-40 L=4.3						1	
41		B3538112000		OIL RETURN TUBE HOLDER						1	
42		SS4110615SP		SCREW 11/64-40 L=6						1	
43		SS7111120TP		SCREW						2	
44		B3534155000		PLUNGER						1	
45		B1214038000		PLUNGER SPRING						1	
46		B3524552000		PLUNGER THRUST PLATE						1	

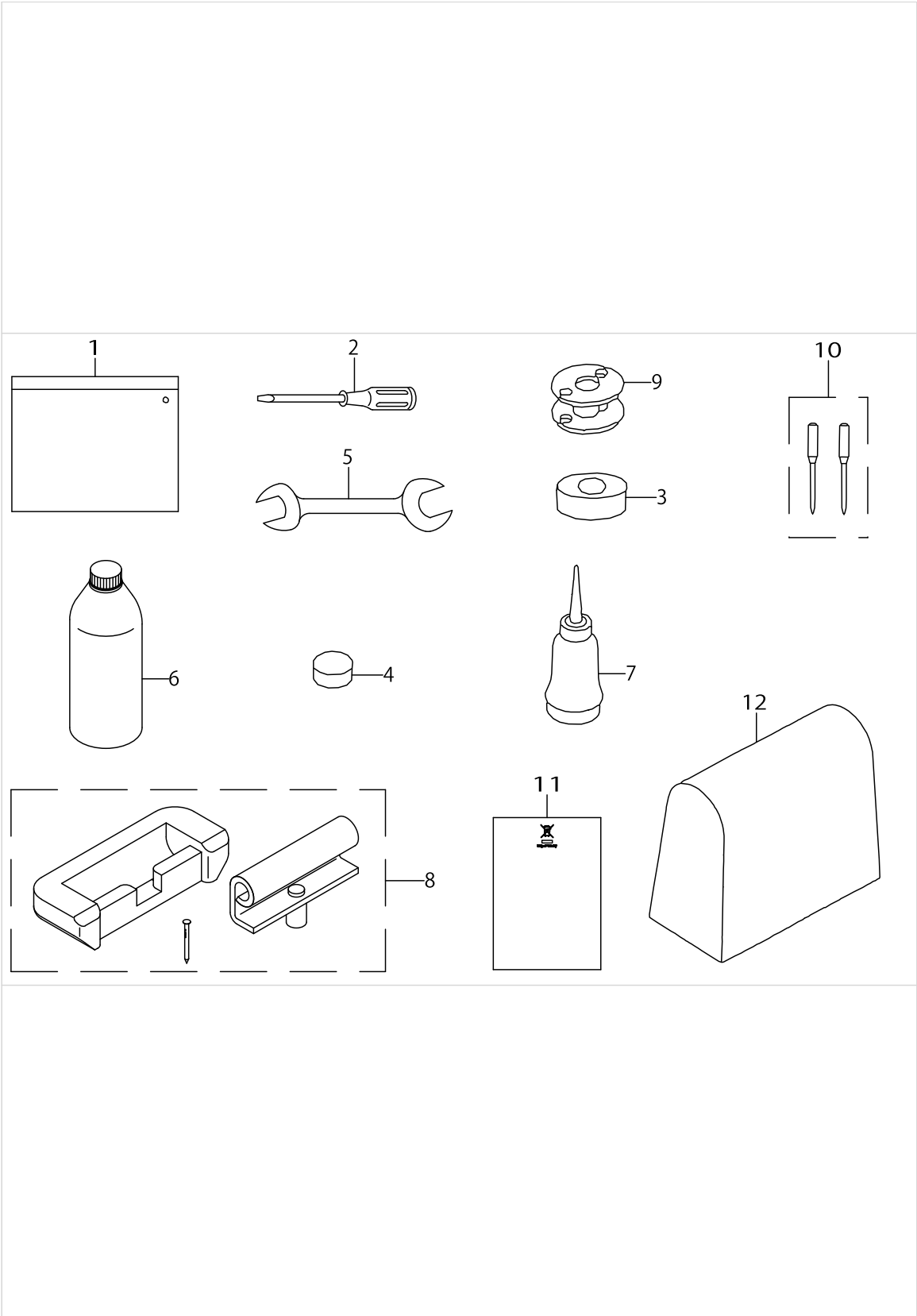
LUBRICATION COMPONENTS



LUBRICATION COMPONENTS

No.	Supply Code	Parts No.	Replacement	Parts name	Remarks	Choice	Step	Level	Cons	Qty	Rep. QTY
47		SS4110815SP		SCREW 11/64-40 L=8						1	
48		SS6111010TP		SCREW 11/64-40 L=9.5						2	
49		23630007		TUBE						.36	
50		23630007		TUBE						.16	
51		23630007		TUBE						.22	
52		23630007		TUBE						.35	
53		PS0500202KP		SPRING PIN 5X20						1	
54		CQ202000000		OIL WICK						.2	
55		21339700		UPPER FEED STOPPER PLATE (B)						1	
56		22620504		OIL WICK HOLDER						1	
57		WP0450801SD		WASHER 4.5X10X0.8						1	
58		EA9500B0100		CABLE BAND						10	
59		10126803		OIL TUBE HOLDER						1	
60		BT0600402EA		OIL TUBE						.12	
61		21346606		PIPE SUPPORT						1	
62		13765607		OIL CONNEC. ARM						1	

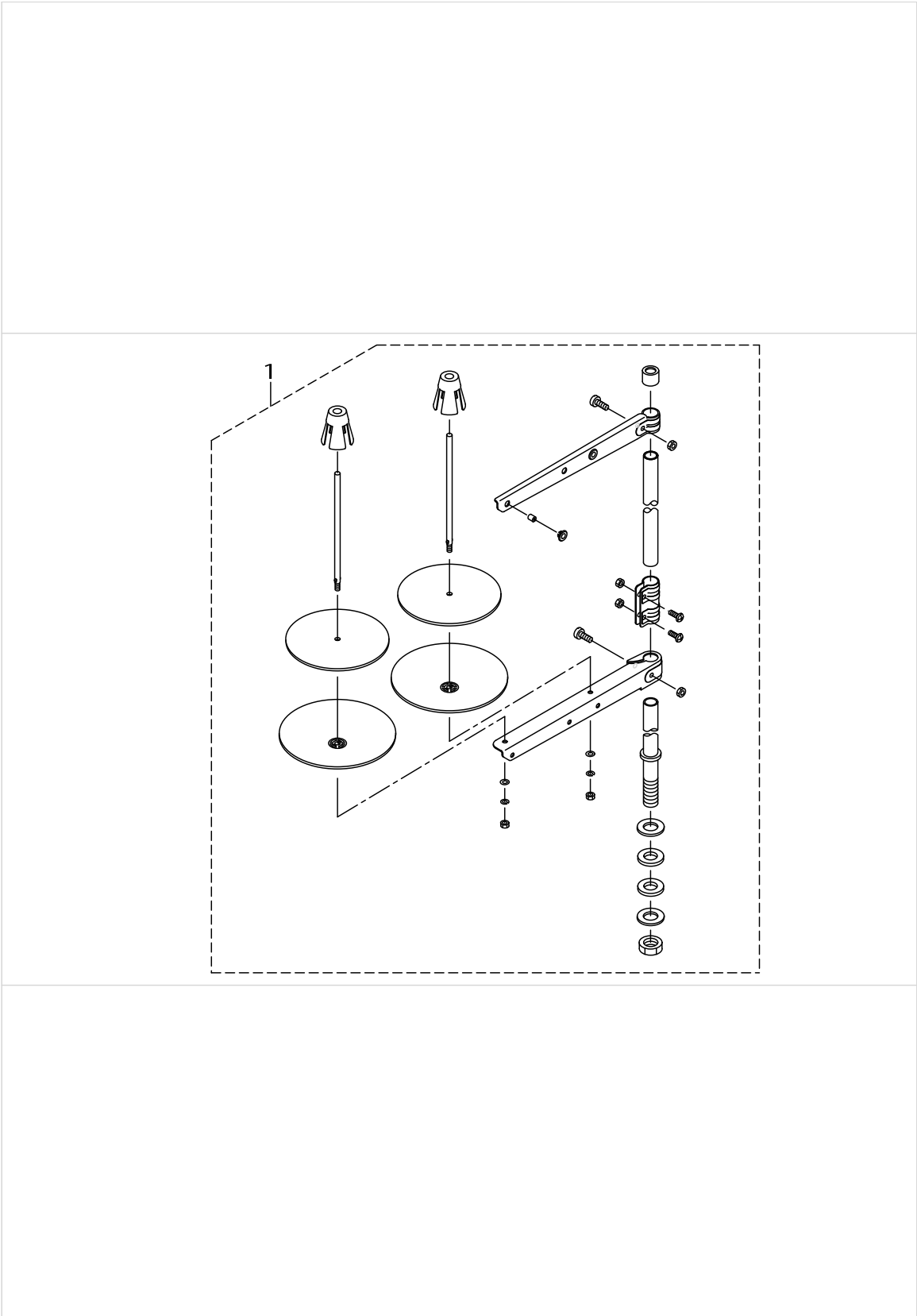
ACCESSORIES PARTS COMPONENTS



ACCESSORIES PARTS COMPONENTS

No.	Supply Code	Parts No.	Replacement	Parts name	Remarks	Choice	Step	Level	Cons	Qty	Rep. QTY
1		21413158		ACCESSORY BAG ASM.						1	
2		22933006		SCREW DRIVER LARGE						1	
3		B8209012000		RUBBER CUSHION						4	
4		B8206012000		FELT CUSHION						4	
5		B9113012000		WRENCH (9X10)						1	
6		MDFRX2700C0		NEW DEFRIX OIL NO.2(700CC)						1	
7		J1067000000		OILER						1	
8		21413257		RUBBER HINGE ASM.						1	
9		B9117563000		BOBBIN						1	
10		M13517B1602		NEEDLE 135X17 #160-2						1	
11		CM600100201		WEEE INFORMATION SHEET						1	
12		22933303		VINYL COVER						1	

THREAD STAND COMPONENTS

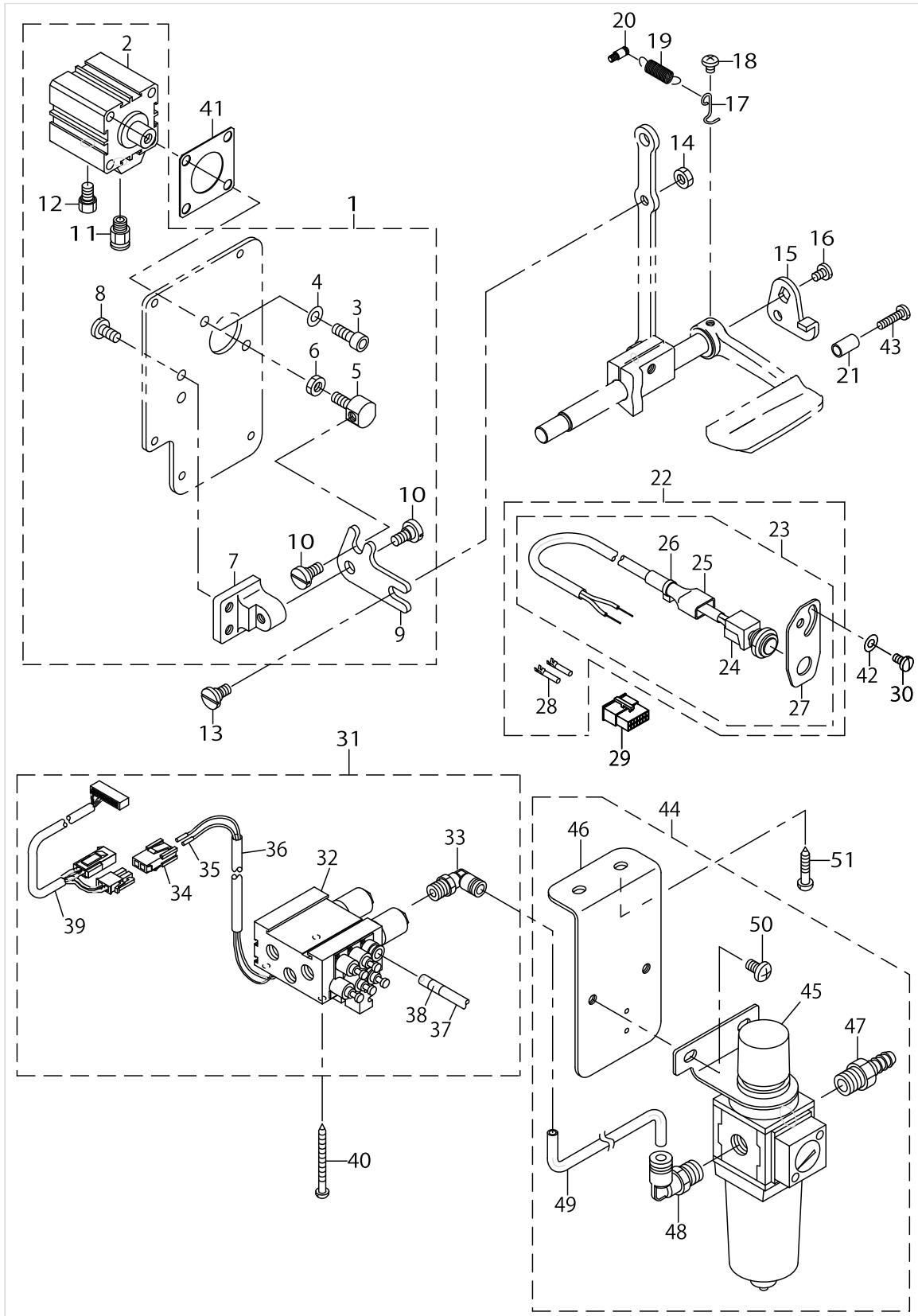


THREAD STAND COMPONENTS

No.	Supply Code	Parts No.	Replacement	Parts name	Remarks	Choice	Step	Level	Cons	Qty	Rep. QTY
1		40096354		THREAD STAND ASM.						1	



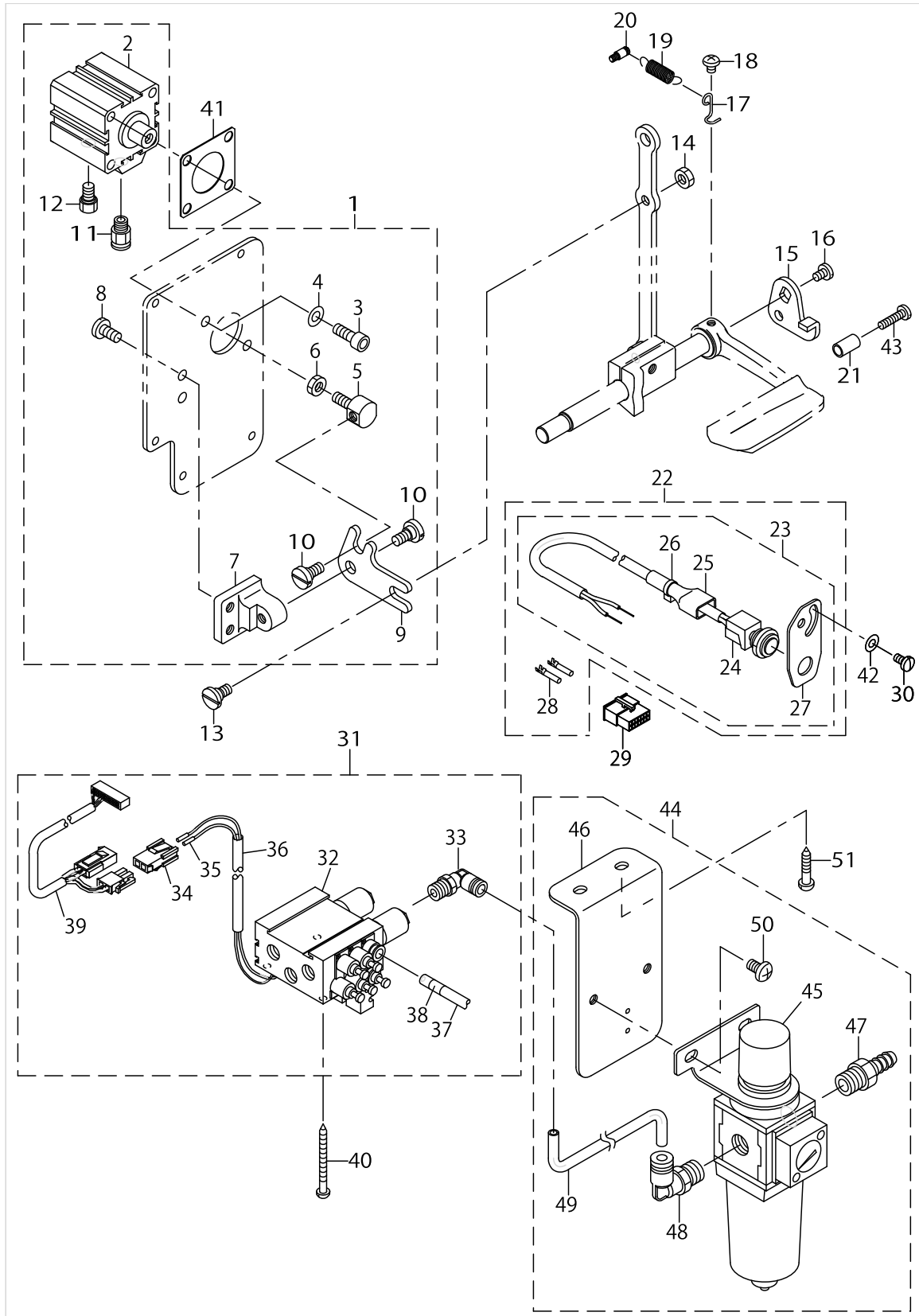
AUTOMATIC BACK COMPONENTS (OPTIONAL PARTS)



AUTOMATIC BACK COMPONENTS (OPTIONAL PARTS)

No.	Supply Code	Parts No.	Replacement	Parts name	Remarks	Choice	Step	Level	Cons	Qty	Rep. QTY
1		21348958		WINDOW PLATE ASM.						1	
2		PA320150200		JIG CYLINDER				*		1	
3		SM6061602TP		SCREW M6 L=16				*		2	
4		WP0641601SD		WASHER M6				*		2	
5		21348602		CYLINDER CONNECTING SCREW				*		1	
6		NM6060003SC		NUT M6				*		1	
7		21348503		FITTING BASE				*		1	
8		SS7151210SP		SCREW15/64-28L=12				*		2	
9		21348701		BACKWARD FEED LINK				*		1	
10		SD0800352SP		HINGE SCREW D=8 H=3.5				*		2	
11		PJ301065104		HALF UNION				*		1	
12		PX015101000		MUFFLER				*		1	
13		SD0800402TP		HINGESCREWD=8H=4						1	
14		NS6150430SP		NUT 15/64-28						1	
15		22656102		REVERSE FEED LINK (1)						1	
16		SS7120760SP		SCREW 3/16-28 L=7.0						1	
17		22656003		SPRINGSUSPENSION						1	
18		SS4120615SP		SCREW 3/16-28 L=6						1	
19		26226209		SPRING						1	
20		40023289		SPRINGSUSPENSION						1	
21		22952501		BACK LEVER STOPPER						1	
22		40056366		BT SWITCH C ASM.						1	
23		40056365		BT SWITCH B ASM.				*		1	
24		40056364		BT SWITCH A ASM.				*		1	
25		GTS01037000		CONNECTOR COVER				*		1	
26		EA9500B0100		CABLE BAND				*		1	
27	R	21388608	21388665	SWITCH FITTING PLATE				*		1	1.00
28		HK03464000A		TERMINAL FEMALE				*		2	
29		HK034610140		HOUSING 14P						1	
30		SS7110840SP		SCREW 11/64-40 L=7.8						2	
31		40107488		AIRAPPARATUSASM.						1	
32		40105335		ELECTROMAGNETIC VALVE (F)				*		1	
33		GAK29001000		SOLENOID VALVE MOUNTING PLATE				*		1	
34		HK034620020		2P PLUG				*		1	
35		HK03463000A		TERMINAL				*		2	
36		GAKA1503000		INSULATION TUBE				*		1	
37		BT0600401EB		TUBE				*		1.3	
38		HX002950000		WIRE MARK(1)				*		4	
39		40105811		CORD ASM.				*		1	
40		SK3385001SE		WOOD SCREW D=3.8 L=50						4	
41		21349105		CYLINDER PACKING						1	
42		WP0501016SD		WASHER 5X10.5X1						2	
43	R	SS7111810SP	SS7111810TP	SCREW11/64-40L=18						1	1.00
44		40038722		FILTER REGULATAR ASM.						1	
45		PF0552170A0		FILTER REGULATOR				*		1	

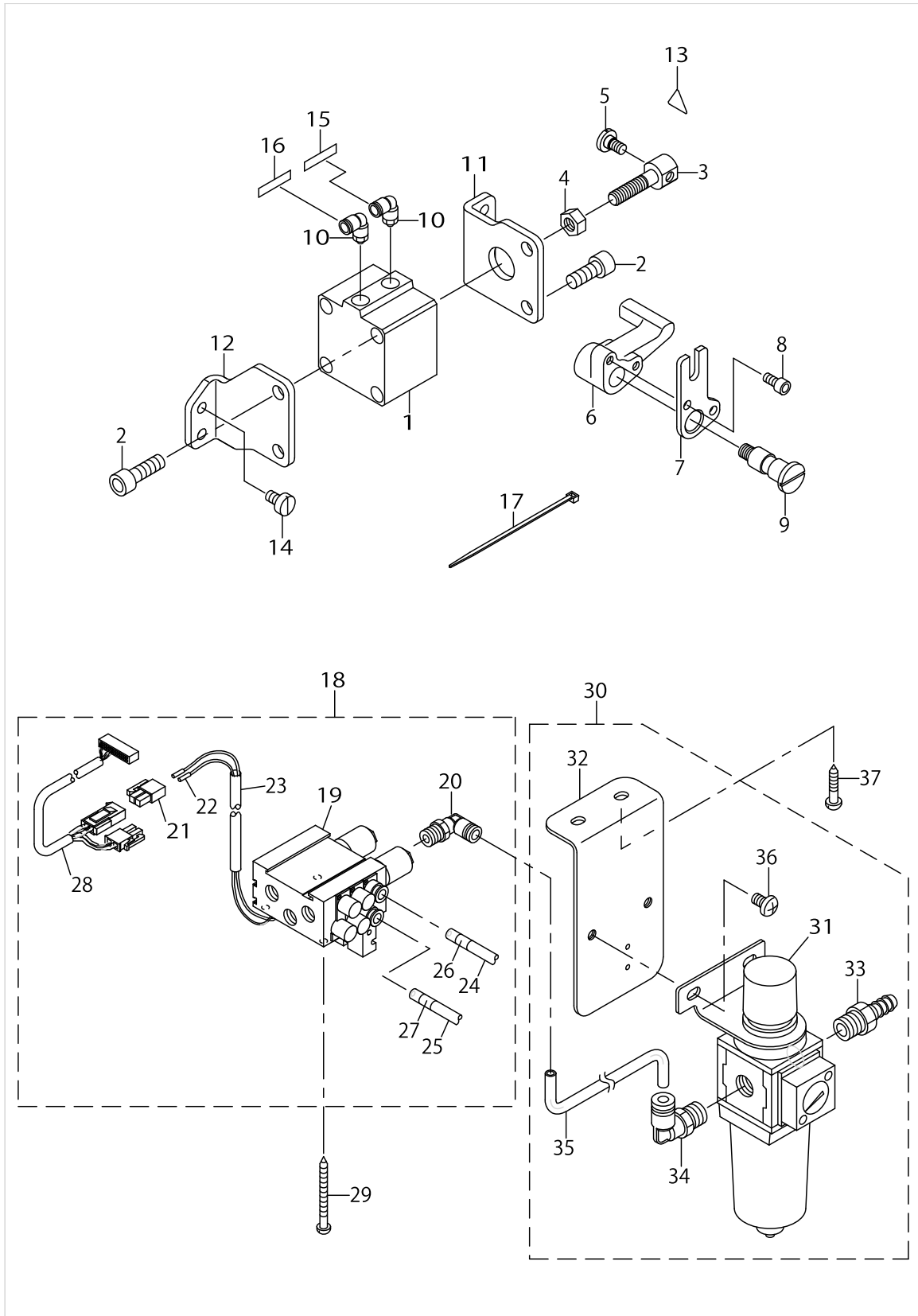
AUTOMATIC BACK COMPONENTS (OPTIONAL PARTS)



AUTOMATIC BACK COMPONENTS (OPTIONAL PARTS)

No.	Supply Code	Parts No.	Replacement	Parts name	Remarks	Choice	Step	Level	Cons	Qty	Rep. QTY
46		40038723		FILTER REGULATOR MOUNTING PLATE				*		1	
47		40107618		NIPPLE				*		1	
48		GAK29009000		ELBOW				*		1	
49		BT0600401EB		TUBE				*		0.28	
50		SM4061001SB		SCREW M6 L=10				*		2	
51		SK3482501SE		WOOD SCREW D=4.8 L=25				*		2	

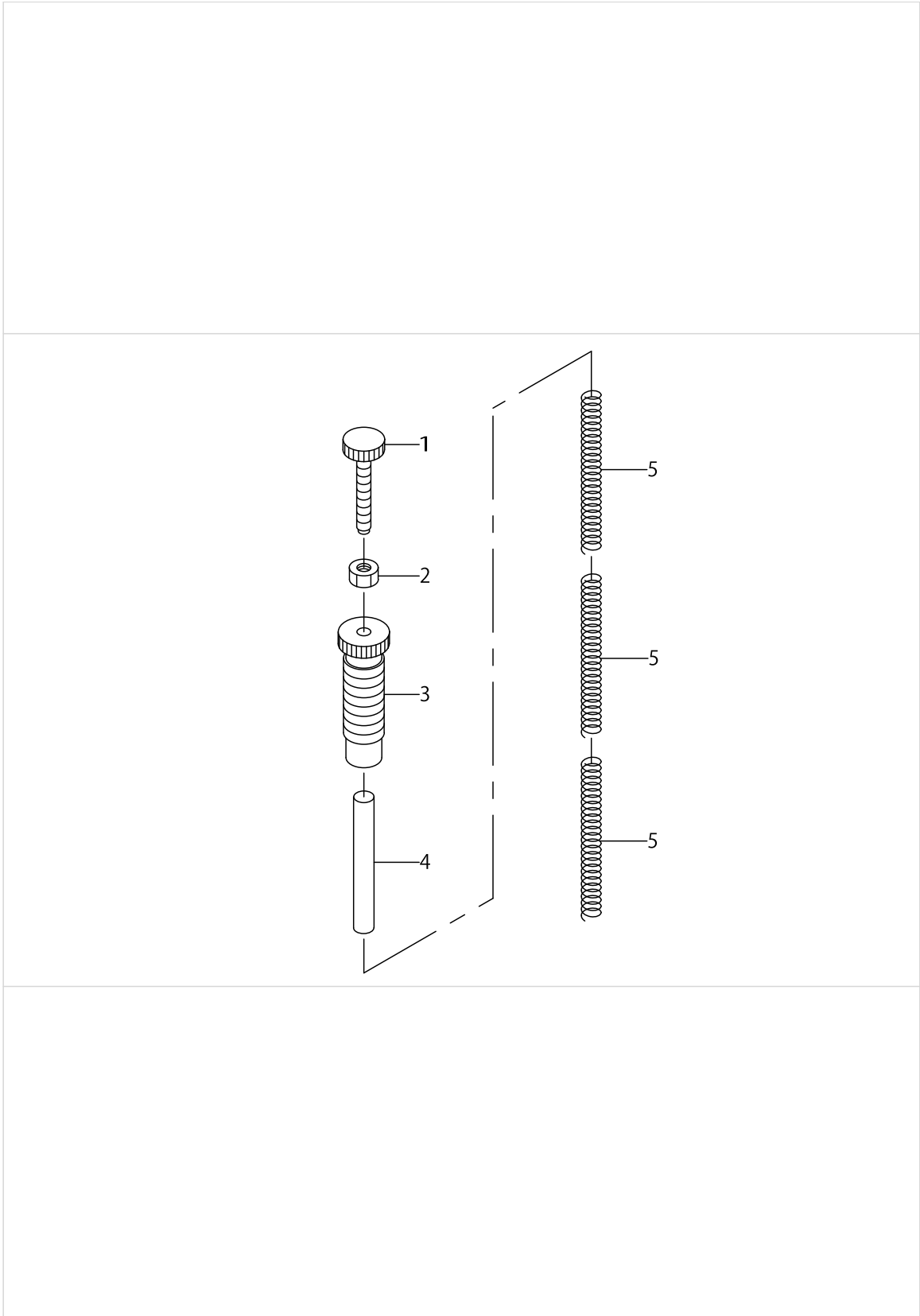
AUTOMATIC PRESSER LIFTING MECHANISM COMPONENTS (OPTIONAL PARTS)



AUTOMATIC PRESSER LIFTING MECHANISM COMPONENTS (OPTIONAL PARTS)

No.	Supply Code	Parts No.	Replacement	Parts name	Remarks	Choice	Step	Level	Cons	Qty	Rep. QTY
1		PA400150100		AIR CYLINDER						1	
2		SM6082002TP		SCREW M8 L=20						4	
3		21356506		CYLINDER CONNECTING SCREW						1	
4		NM6080001SE		NUT M8						1	
5		SD0720331SP		HINGE SCREW D=7.24 H=3.3						1	
6		21356605		LEVER A						1	
7		21356803		LEVER B						1	
8		SM6051002TP		SCREW M5X0.8 L=10						2	
9		21356704		SHAFT						1	
10		PJ304065101		ELBOW UNION 6XPT1/8						2	
11		21356308		CYLINDER STAY(FRONT)						1	
12		21356407		CYLINDER STAY(REAR)						1	
13		CM300200001		ATTENTION SEAL						1	
14		SS6151040SP		SCREW15/64-28L=10						4	
15		HX002950000		WIRE MARK(1)						1	
16		HX00295000A		WIRE MARK(2)						1	
17		EA9500B0100		CABLE BAND						3	
18		40103003		AIR APPARATUS(P)ASM.						1	
19		40038904		MAGNETIC VALVE(P)				*		1	
20		GAK29010000		ELBOW B				*		1	
21		HK034610020		2-POLE NYLON PLUG				*		1	
22		HK03464000A		TERMINAL FEMALE				*		2	
23		GAKA1503000		INSULATION TUBE				*		1	
24		BT0600401EB		TUBE				*		1.3	
25		BT0600401EB		TUBE				*		1.3	
26		HX00295000A		WIRE MARK(2)				*		4	
27		HX00295000B		WIRE MARK(3)				*		4	
28		40105811		CORD ASM.				*		1	
29		SK3385001SE		WOOD SCREW D=3.8 L=50						4	
30		40038722		FILTER REGULATAR ASM.						1	
31		PF0552170A0		FILTER REGULATOR				*		1	
32		40038723		FILTER REGULATOR MOUNTING PLATE				*		1	
33		40107618		NIPPLE				*		1	
34		GAK29009000		ELBOW				*		1	
35		BT0600401EB		TUBE				*		0.28	
36		SM4061001SB		SCREW M6 L=10				*		2	
37		SK3482501SE		WOOD SCREW D=4.8 L=25						2	

OPTIONAL PARTS (ADDITIONAL SPRING FOR PRESSER BAR) COMPONENTS

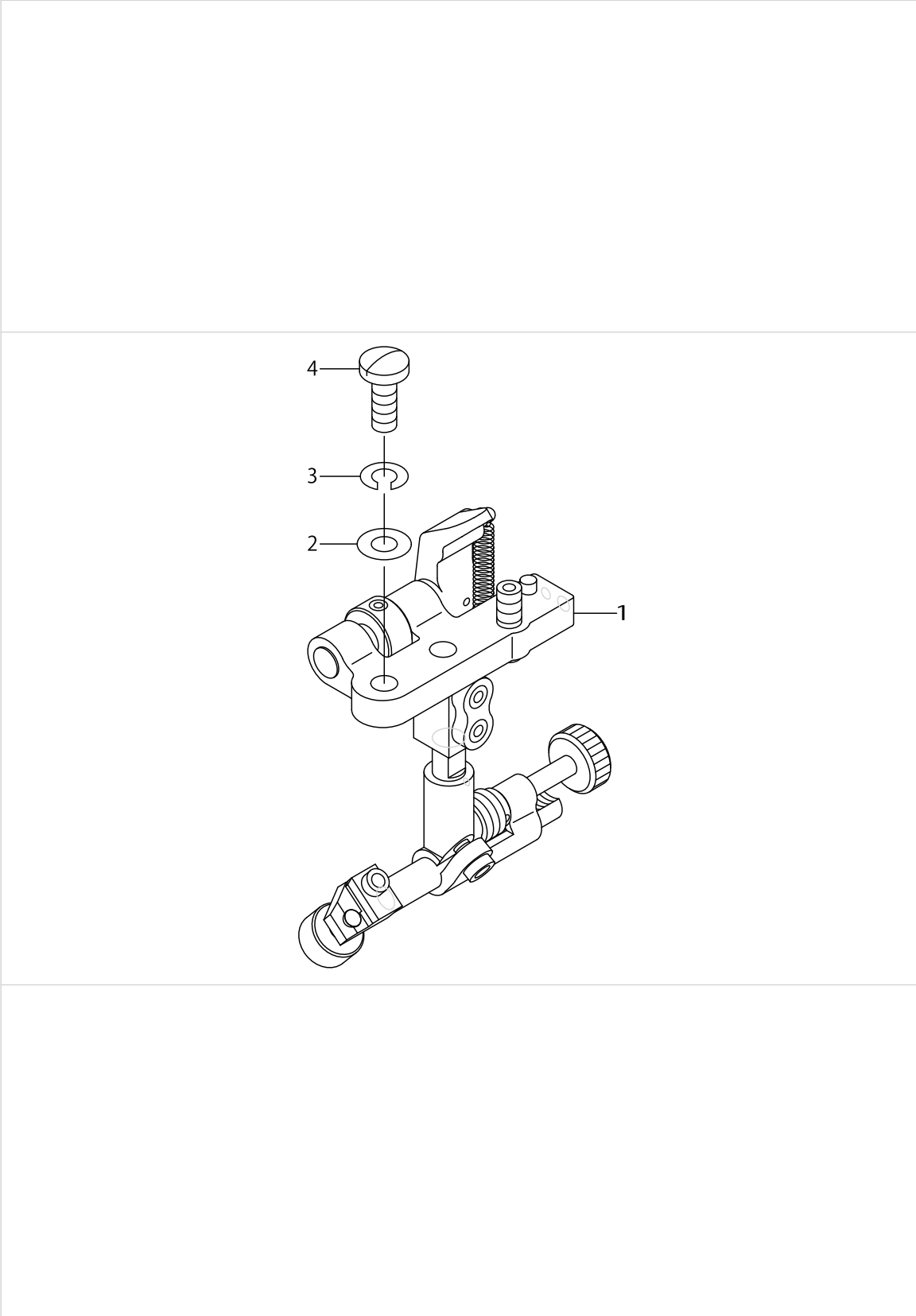


OPTIONAL PARTS (ADDITIONAL SPRING FOR PRESSER BAR) COMPONENTS

No.	Supply Code	Parts No.	Replacement	Parts name	Remarks	Choice	Step	Level	Cons	Qty	Rep. QTY
1		21006507		ADJUST SCREW B						1	
2		NS6110530SP		NUT 11/64-40						1	
3		21006408		ADJUST SCREW A						1	
4		21342407		GUIDE SHAFT						1	
5		21006002		ADJUST SPRING B						3	




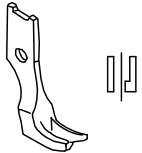

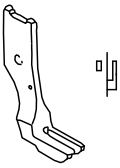

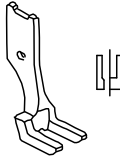

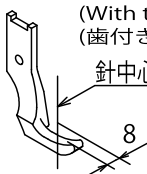
SUSPENSION SQUARE (OPTION) COMPONENTS



SUSPENSION SQUARE (OPTION) COMPONENTS

No.	Supply Code	Parts No.	Replacement	Parts name	Remarks	Choice	Step	Level	Cons	Qty	Rep. QTY
1		MAH152010A0		RULER						1	
2		WP0621016SD		WASHER 6.2X13X1						2	
3		WS0610002KN		SPRING WASHER 6.1X12.2X1.5						2	
4		SS7151610SP		SCREW15/64-28L=16						2	

OPTIONAL PARTS COMPONENTS (1)

Item	Walking foot		Item	Presser foot			
	品名			品名			
For piping パイピング用	 (Commonly used for every size of presser foot) (各サイズ共用)				Ref.No.	Part No.	
					1	B1478-245-000	
			Size(mm)	Ref.No.	Part No.		
			4.4mm(5/32)	12	B1530-245-0AC		
			4.8mm(3/16)	13	B1530-245-0AD		
			6.4mm(1/4)	14	B1530-245-0AF		
			7.9mm(5/16)	15	B1530-245-0AH		
	9.5mm(3/8)	16	B1530-245-0AK				
					Size(mm)	Ref.No.	Part No.
					4.4mm(5/32)	2	B1478-245-000
4.8mm(3/16)	3	B1479-245-00D					
6.4mm(1/4)	4	B1479-245-00F					
7.9mm(5/16)	5	B1479-245-00H					
9.5mm(3/8)							
				Size(mm)	Ref.No.	Part No.	
				4.4mm(5/32)	6	B1474-245-00C	
4.8mm(3/16)	7	B1474-245-00D					
6.4mm(1/4)	8	B1474-245-00F					
7.9mm(5/16)	9	B1474-245-00H					
9.5mm(3/8)	10	B1474-245-00K					
 (With teeth) (歯付き)		 (With teeth) (歯付き)		Ref.No.	Part No.		
				11	103-38309		
		Ref.No.	Part No.				
		26	B1525-563-SA0				

OPTIONAL PARTS COMPONENTS (1)

No.	Supply Code	Parts No.	Replacement	Parts name	Remarks	Choice	Step	Level	Cons	Qty	Rep. QTY
1		B1478245000		INNER PRESSER						1	
2		B1478245000		INNER PRESSER						1	
3		B147924500D		CENTER PRESSER FOOT 3/16						1	
4		B147924500F		BACK CUT INNER PRESSER 1/4						1	
5		B147924500H		BACK CUT INNER PRESSER 5/16						1	
6		B147424500C		INNER PRESSER 5/32						1	
7		B147424500D		INNER PRESSER (BLADE) 3/16						1	
8		B147424500F		WALKING FOOT F						1	
9		B147424500H		INNER PRESSER 5/16						1	
10		B147424500K		CENTER PRESSER FOOT 3/8						1	
11	D	10338309		UPPER FEED FOOT						1	
12		B15302450AC		OUTER PRESSER ASM. 5/32						1	
13		B15302450AD		OUTER PRESSER F- OOT ASM. 3/16.						1	
14		B15302450AF		OUTER PRESSER FOOT 1/4 ASM.						1	
15		B15302450AH		OUTER PRESSER F- OOT ASM. (5/16)						1	
16		B15302450AK		OUTER PRESSER FOOT ASM. (3/8)						1	
17		B15312450AC		OUTER PRESSER F- OOT ASM. (5/32)						1	
18		B15312450AD		OUTER PRESSER FOOT ASM. 3/16						1	
19		B15312450AF		OUTER PRESSER ASM. 1/4						1	
20		B15312450AH		FEEDING FRAME 5/16 ASM.						1	
21		B15272450AC		OUTER PRESSER FOOT ASM. 5/32						1	
22		B15272450AD		FEEDING FRAME 3/16 ASM.						1	
23		B15272450AF		OUTER PRESSER ASM. 1/4						1	
24		B15272450AH		OUTER PRESSER FOOT ASM. 5/16						1	
25		B15272450AK		OUTER PRESSER FOOT ASM. 3/8						1	
26		B1525563SA0		PRESSER FOOT ASM.						1	

OPTIONAL PARTS COMPONENTS (2)

Item 品名	Walking foot 中足	Presser foot 外足
		(With teeth) (歯付き) テープ付け用 FOR BINDING 針中心 
Ref.No.	1	7
Part No.	MAQ-09307000	MAQ-093080A0
		/
Ref.No.	2	
Part No.	MAN-10452000	
		(With teeth) (歯付き) 針中心 
Ref.No.	3	8
Part No.	B1476-245-00A	B1529-245-0AA
		針中心 
Ref.No.	4	9
Part No.	103-25306	103-25157
		針中心 
Ref.No.	5	10
Part No.	103-26205	103-26304
		針中心 
Ref.No.	6	11
Part No.	B1470-245-000	B1524-245-0A0

Item 品名	Throat plate 針板	Feed dog 送り歯
	パイピング用 FOR PIPING 	
Ref.No.	12	14
Part No.	B1109-562-A00	B1613-562-A00
	テープ付け用 FOR BINDING (最大縫い長さ 7mm) (MAX:Stitch length 7mm) 	
Ref.No.	13	15
Part No.	B1109-563-C00	B1613-563-C00

Item 品名	Feed driving eccentric 上下送り加	
Ref.No.	16	17
Part No.	B1840-051-000	213-78104

OPTIONAL PARTS COMPONENTS (2)

No.	Supply Code	Parts No.	Replacement	Parts name	Remarks	Choice	Step	Level	Cons	Qty	Rep. QTY
1		MAQ09307000		WALKING FOOT						1	
2		MAN10452000		UPPER FEED FOOT						1	
3		B147624500A		INNER PRESSER						1	
4		10325306		WALKING FOOT						1	
5	D	10326205		UPPER FEED FOOT						1	
6	R	B1470245000	B14702450A0	WALKING FOOT						1	1.00
7		MAQ093080A0		PRESSER FOOT ASM.						1	
8		B15292450AA		OUTER PRESSER FOOT ASM. RIGHT						1	
9		10325157		PRESSER FOOT ASM.						1	
10		10326304		PRESSER FOOT						1	
11		B15242450A0		PRESSER FOOT ASM.						1	
12		B1109562A00		THROAT PLATE (WIDE)						1	
13		B1109563C00		THROAT PLATE						1	
14		B1613562A00		FEED (WIDE)						1	
15		B1613563C00		FEED DOG C						1	
16		B1840051000		FEED DRIVING ECCENTRIC						1	
17	R	21378104	21378153	FEED DRIVING ECCENTRIC						1	1.00



## HOW TO MAKE USE OF THIS PARTS LIST

### 1.Explanation of codes

1)"\*"mark.....means this part is changed from the previous parts book.

As to the details of the change, refer to the "List for information of change".

2)"#01".....refer to "Note" explanation at bottom of page.

### 2.Codes on the "Qty" column

- Each numeral indicates the number of parts required.
- "0.1" and "2.5" indicate the length (in meters) of the respective parts.

3.Parentheses mean that the corresponding part is a subpart that constructs an assembly part.

4.Dotted lines on the Figures indicate assembly parts.

### 1."注記"欄の記号説明

1) "\*"印.....前回のパーツブックに比較して今回変更された部品を意味します。

変更内容は、"変更情報リスト"を参照してください。

2) "#01".....ページ下の"注記"の説明を参照してください。

2.数量欄の数字は、個数を表し、0.1、2.5等の数値は、長さ（単位メートル）を表します。

3.数量欄の（ ）は、組部品を構成している子部品であることを意味します。

4.イラストページの-----枠は、組構成であることを意味します。



# NUMERICAL INDEX OF PARTS

PART NO	PAGE	REF NO.	PART NO	PAGE	REF NO.	PART NO	PAGE	REF NO.
10109700	20	13-41~ 48	14512503	26	17	21339056	10	27
			17912106	2	26	21339106	6	8
10109809	20	13-41~ 48	21006002	46	5	21339304	10	25
10109908	20	16	21006408	46	3	21339502	6	16
10110906	20	13-41~ 48	21006507	46	1	21339700	34	55
			21331202	2	11	21340104	12	31
10111003	20	13-41~ 48	21331301	2	4	21340401	12	1
			21331608	2	18	21340500	12	2
10111102	20	13-41~ 48	21331756	2	8	21340708	32	10
			21331806	2	12	21340906	12	42
10111201	22	13-41~ 48	21332002	2	13	21341151	14	46
10112407	20	17	21332200	2	46	21342407	46	4
			21332309	2	16	21342506	28	4
10112506	22	13-41~ 48	21332507	6	13	21342555	28	3
			21332705	6	1	21342605	28	5
10112605	22	13-41~ 48	21333000	6	2	21342704	28	9
10112704	22	13-41~ 48	21333109	6	18	21342803	28	13
10122000	18	64	21333406	8	57	21342902	28	17
10124204	24	13	21333604	20	25	21343009	28	11
10126803	34	59	21333901	8	48	21343108	28	32
10201200	2	42	21334008	6	29	21343157	28	30
10205201	16	20	21334701	20	15	21343207	28	1
10308609	10	11	21335104	20	1	21343355	28	21
10320109	24	3	21336003	16	2	21343405	28	19
10321107	24	24~26	21336052	16	1	21343702	28	6
10325157	52	9	21336300	18	54	21343801	28	7
10325306	52	4	21336508	6	21	21345103	32	34
10326205	52	5	21336557	6	20	21345202	32	36
10326304	52	10	21336607	18	47	21345301	30	27
10337905	14	55	21336656	18	46	21345350	30	23
10338309	50	11	21336706	18	51	21345509	30	34
10502300	26	21	21336805	16	40	21345608	32	25
10509701	12	22	21337209	16	38	21345707	32	2
10618304	26	8	21337308	16	33	21345756	32	1
10704807	26	19	21337407	16	26	21345806	32	3
10727204	30	25	21337506	16	23	21345905	32	4
10727303	30	24	21337605	16	35	21346002	32	18
10739209	30	36	21337704	16	24	21346309	32	6
10741106	24	14	21337803	16	27	21346358	32	5
10748101	30	11	21337902	16	31	21346408	32	8
10753002	30	26	21338306	16	29	21346507	32	7
10755205	30	15	21338603	10	18	21346606	34	61
10755254	30	14	21338801	10	20	21346705	30	33
13138201	24	8	21338900	10	22	21346804	30	28
13765607	34	62	21339007	10	28	21346903	30	32

# NUMERICAL INDEX OF PARTS

PART NO	PAGE	REF NO.	PART NO	PAGE	REF NO.	PART NO	PAGE	REF NO.
21347109	12	13	21387907	6	23	22912109	16	45
21347208	32	16	21388004	18	59	22921308	24	12
21347406	10	30	21388400	10	16	22921407	24	11
21348206	24	24~26	21388608	40	27	22932404	28	28
21348503	40	7	21402300	6	27	22932453	28	27
21348602	40	5	21405204	10	2	22933006	36	2
21348701	40	9	21406103	14	48	22933303	36	12
21348958	40	1	21406509	12	28	22934202	28	35
21349105	40	41	21406608	14	57	22934301	28	36
21349204	18	61·70	21408505	2	25	22934400	28	34
21349303	18	61·70	21408554	2	24	22934509	28	33
21349600	2	38	21413158	36	1	22934707	28	29
21349709	2	39	21413257	36	8	22945505	24	15
21350004	14	59	21427307	20	26	22945505	26	27
21351002	30	19	21437900	12	36	22945703	24	16
21351101	30	18	21441050	24	2	22945703	26	30
21351150	30	17	21441100	24	17	22952501	40	21
21351200	30	20	22537658	26	2	23006406	24	24~26
21351457	30	1	22538151	26	4	23208556	4	51
21353008	8	55	22538706	26	32	23630007	32	52
21355706	26	24	22602601	4	47	23630007	34	52
21355755	26	23	22604300	6	25	23636202	26	5
21355904	2	6	22609309	16	15	26225201	12	29
21356001	26	6	22609408	16	12	26226209	40	19
21356308	44	11	22611701	22	50	40016148	8	61
21356407	44	12	22611909	22	51	40016798	2	1
21356506	44	3	22617906	24	9	40018339	12	16
21356605	44	6	22618201	24	7	40018340	14	63
21356704	44	9	22619100	2	43	40018341	12	23
21356803	44	7	22620504	34	56	40019926	16	36
21357959	26	3	22656003	40	17	40023289	40	20
21357967	26	1	22656102	40	15	40025299	30	5
21364104	16	10	22814909	10	32	40025300	30	8
21378104	52	17	22814909	14	65	40027746	10	26
21378302	12	5	22863203	28	26	40033026	12	12
21378302	16	13	22863252	28	23	40033027	12	11
21378500	20	14	22877609	2	9	40033029	12	19
21378708	26	29	22901805	2	45	40033030	12	24
21378906	18	52	22904106	12	7	40033031	12	40
21379003	30	6	22904106	16	18	40033032	12	39
21387402	18	69	22904155	12	6	40038692	6	4
21387501	6	31	22904155	16	17	40038700	8	50
21387600	6	34	22907604	12	43	40038702	8	51
21387709	6	33	22911804	16	42	40038722	40	44
21387808	6	38	22912000	16	44	40038722	44	30

# NUMERICAL INDEX OF PARTS

PART NO	PAGE	REF NO.	PART NO	PAGE	REF NO.	PART NO	PAGE	REF NO.
40038723	42	46	B1410771000	10	24	B15302450AH	50	15
40038723	44	32	B1411053000	10	8	B15302450AK	50	16
40038904	44	19	B1412051000	10	10	B15312450AC	50	17
40039326	12	4	B1412051000	32	19	B15312450AD	50	18
40042611	22	35-52	B1414232000	10	23	B15312450AF	50	19
40051503	32	23	B1414555000	12	21	B15312450AH	50	20
40056364	40	24	B1418761000	18	48	B1604012000A	16	7
40056365	40	23	B1420563000	10	1	B1604051000	16	3
40056366	40	22	B1437051000	10	6	B1611055000	18	62
40064409	32	38	B1462053000	14	47	B1613562A00	52	14
40096354	38	1	B14670530A0	12	25	B1613563C00	52	15
40103003	44	18	B1467563000	10	14	B1639051000	6	46
40103925	24	1	B1468053000	12	26	B18035150A0	20	29
40104367	6	44	B1470241H00	14	51	B1816051000	20	40
40105335	40	32	B1470241HA0	14	50	B1817051000	20	35-52
40105811	40	39	B1470245000	52	6	B1820563000	20	2
40105811	44	28	B1471241H00	14	60	B1821051000	20	3
40107488	40	31	B147424500C	50	6	B1822563000	20	6
40107618	42	47	B147424500D	50	7	B1823051000	20	7
40107618	44	33	B147424500F	50	8	B1824563000	20	10
40108675	2	22	B147424500H	50	9	B18305630A0	20	23
40113092	26	28	B147424500K	50	10	B1834512000A	20	21
40113224	6	36	B147624500A	52	3	B1840051000	20	32-33
40125273	2	20	B1478245000	50	2	B1840051000	52	16
40143083	6	26	B147924500D	50	3	B184005100A	20	32-33
40152631	2	3	B147924500F	50	4	B1905563000	6	3
40162860	20	38	B147924500H	50	5	B1906051000	6	5
A321600100A	26	9	B1501241H00	14	58	B1907051000	6	6
A407855000A	32	20	B1502246000	12	44	B3025141H00A	18	65
B1109562A00	52	12	B1510141H00	12	38	B3125012000	24	6
B1109562D00	4	49	B1510155000	14	49	B3128520000	24	4
B1109563000	2	36	B15242450A0	52	11	B3129526000	24	10
B1109563C00	52	13	B1525241H00	14	54	B31370510A0	24	5
B1111563000	2	34	B1525241HA0	14	53	B3138512000	2	32
B1132521000	2	27	B1525563SA0	50	26	B3205210000	26	10
B1140051000	32	14	B15272450AC	50	21	B3428521000	28	24
B1148555000	26	11	B15272450AD	50	22	B3520586000	32	24
B1210051000	6	11	B15272450AF	50	23	B3524552000	32	46
B1214019000	6	32	B15272450AH	50	24	B3534155000	32	44
B1214038000	32	45	B15272450AK	50	25	B3538112000	32	41
B1308055000	6	35	B15292450AA	52	8	B8112220000	30	7
B1310055000	6	37	B152989000CA	26	7	B8206012000	36	4
B1313055000	8	47	B15302450AC	50	12	B8209012000	36	3
B1314055000	6	39	B15302450AD	50	13	B8228125000	30	35
B1401053000	10	7	B15302450AF	50	14	B9113012000	36	5

# NUMERICAL INDEX OF PARTS

PART NO	PAGE	REF NO.	PART NO	PAGE	REF NO.	PART NO	PAGE	REF NO.
B9117563000	20	24	HK034620020	40	34	RO092270200	26	14
B9117563000	36	9	HK03463000A	40	35	SB120000200	8	53
BT0600401EB	40	49	HK03464000A	40	28	SD0380551SL	2	28
BT0600401EB	42	49	HK03464000A	44	22	SD0470281SP	24	19
BT0600401EB	44	35	HX002950000	40	38	SD0640322TP	6	42
BT0600402EA	34	60	HX002950000	44	15	SD0700451TP	28	20
CM300200001	2	44	HX00295000A	44	26	SD0720331SP	44	5
CM300200001	44	13	HX00295000B	44	27	SD0800352SP	40	10
CM301300001	4	48	J1067000000	36	7	SD0800402TP	16	34
CM600100201	36	11	M13517B1600	10	13	SD0800402TP	40	13
CQ202000000	6	19	M13517B1602	36	10	SD0800481SP	12	45
CQ202000000	10	4	MAH152010A0	48	1	SD0900701TP	16	21
CQ202000000	16	49	MAN10452000	52	2	SD1000801SH	18	53
CQ202000000	18	49	MAQ09307000	52	1	SK3241601SC	30	13
CQ202000000	20	9	MAQ093080A0	52	7	SK3385001SE	40	40
CQ202000000	32	54	MDFRX2700C0	36	6	SK3385001SE	44	29
CQ202000000	34	54	NM6030001SC	30	10	SK3482500SC	30	16
CQ252000000	14	61	NM6050001SD	28	16	SK3482501SE	42	51
CQ252000000	32	31	NM6060003SC	40	6	SK3482501SE	44	37
CQ3000000F0	12	15	NM6080001SE	44	4	SM3031401SE	30	9
CQ303000000	6	9	NM9050001SC	30	30	SM4061001SB	42	50
CQ505000000	6	12	NS6110310SP	24	20	SM4061001SB	44	36
CS1201010SH	18	55	NS6110310SP	26	26	SM6021000TP	30	29
CS1201011SH	18	56	NS6110420SP	20	22	SM6040800SP	26	31
D1455055B00	12	33	NS6110530SP	12	35	SM6051002TP	44	8
D1456055B00	12	32	NS6110530SP	46	2	SM6051602TP	28	8
D3162555B00	24	21	NS6150310SP	18	68	SM6052002TP	28	14
D3162555B00	26	25	NS6150430SP	40	14	SM6061202TP	28	2
D8232241E00	30	21	NS6680320SP	16	22	SM6061602TP	40	3
EA9500B0000	12	14	PA320150200	40	2	SM6061802TP	16	39
EA9500B0000	32	9	PA400150100	44	1	SM6062502TP	12	37
EA9500B0100	10	31	PF0552170A0	40	45	SM6062502TP	28	22
EA9500B0100	32	58	PF0552170A0	44	31	SM6082002TP	44	2
EA9500B0100	34	58	PJ301065104	40	11	SM6082502TP	20	20
EA9500B0100	40	26	PJ304065101	44	10	SM8050502TP	16	6
EA9500B0100	44	17	PS0500202KP	34	53	SM8050602TP	26	20
GAK29001000	40	33	PS0600502KP	24	22	SM8050612TP	18	50
GAK29009000	42	48	PX015101000	40	12	SM8052502TP	28	15
GAK29009000	44	34	RC0560711KP	26	12	SM8060602TP	6	28
GAK29010000	44	20	RE0500000K0	6	45	SM8080802TP	10	21
GAKA1503000	40	36	RE0500000K0	26	13	SM8080812TP	6	15
GAKA1503000	44	23	RE0500711KP	16	8	SM9061203SE	28	31
GTS01037000	40	25	RE0800000K0	28	10	SQ1110401MZ	22	49
HK034610020	44	21	RE0900000K0	18	58	SQ1110401MZ	32	39
HK034610140	40	29	RO092270200	16	43	SQ1150451MZ	32	27

NUMERICAL INDEX OF PARTS

PART NO	PAGE	REF NO.	PART NO	PAGE	REF NO.	PART NO	PAGE	REF NO.
SS2090710TP	2	52	SS7110510SP	32	11	TA0620504R0	4	50
SS2090710TP	4	52	SS7110710SP	8	56	TA0750704R0	2	31
SS2110920TP	2	37	SS7110830SP	10	17	TA0750704R0	8	60
SS3090610SP	32	17	SS7110830SP	32	33	TA0750704R0	12	10
SS4080620TP	24	18	SS7110840SP	30	3	TA0800704R0	30	31
SS4110515SP	2	35	SS7110840SP	40	30	TA1050504R0	2	40
SS4110615SP	32	42	SS7110910TP	10	15	TA1250504R0	2	41
SS4110815SP	2	17	SS7110910TP	12	41	TA1450404R0	2	30
SS4110815SP	34	47	SS7110910TP	16	25	WP0320501SC	30	12
SS4111215SP	2	2	SS7110910TP	24	23	WP0371016SD	20	11
SS4120615SP	40	18	SS7111120TP	32	43	WP0450801SD	34	57
SS4150915SP	4	53	SS7111410TP	16	11	WP0482086SD	12	34
SS4150915SP	32	37	SS7111810SP	20	8	WP0501016SD	40	42
SS5090610SP	2	21	SS7111810SP	40	43	WP0501046SC	12	18
SS5110740TP	30	4	SS7120760SP	8	54	WP0621016SD	16	5
SS6090520SP	26	16	SS7120760SP	40	16	WP0621016SD	48	2
SS6090620SP	26	22	SS7150740SP	14	56	WP0641601SD	40	4
SS6090810SP	20	12	SS7150910TP	2	19	WP0650876SD	18	67
SS6090910TP	14	62	SS7151210SP	40	8	WP0850002SP	20	19
SS6091022TP	10	19	SS7151610SP	48	4	WS0610002KN	48	3
SS6110480SP	32	40	SS7621040SP	2	7			
SS6110520TP	18	63	SS8110422TP	22	53			
SS6110810TP	26	18	SS8111010TP	6	43			
SS6111010TP	34	48	SS8111010TP	14	64			
SS6111610SP	16	37	SS8150510TP	20	34			
SS6120930TP	18	60	SS8150710SP	12	9			
SS6121210TP	18	66	SS8150710TP	8	59			
SS6121610TP	16	16	SS8150822TP	6	30			
SS6121860SP	16	41	SS8150822TP	16	28			
SS6151040SP	44	14	SS8151150TP	10	5			
SS6151440SP	30	2	SS8151150TP	16	14			
SS6151780SP	12	27	SS8151150TP	20	31			
SS6151920SP	12	30	SS8151550SP	8	58			
SS6152440SP	10	29	SS8660530TP	8	49			
SS6153040SP	20	18	SS8660530TP	20	37			
SS6153040SP	30	22	SS8660610TP	12	8			
SS6661110SP	6	24	SS8660610TP	16	57			
SS7080510TP	10	12	SS8660610TP	18	57			
SS7090510SP	28	25	SS8660612TP	6	40			
SS7090520TP	2	33	SS8660612TP	12	3			
SS7090610SP	16	30	SS8660670SP	20	36			
SS7090910SP	10	9	SS8660810TP	6	22			
SS7090910TP	16	32	SS8660810TP	20	39			
SS7091410SP	26	15	SS8661030SP	8	52			
SS7110510SP	12	20	SS9151440CP	16	4			