

Single Needle, Post Basting Machine

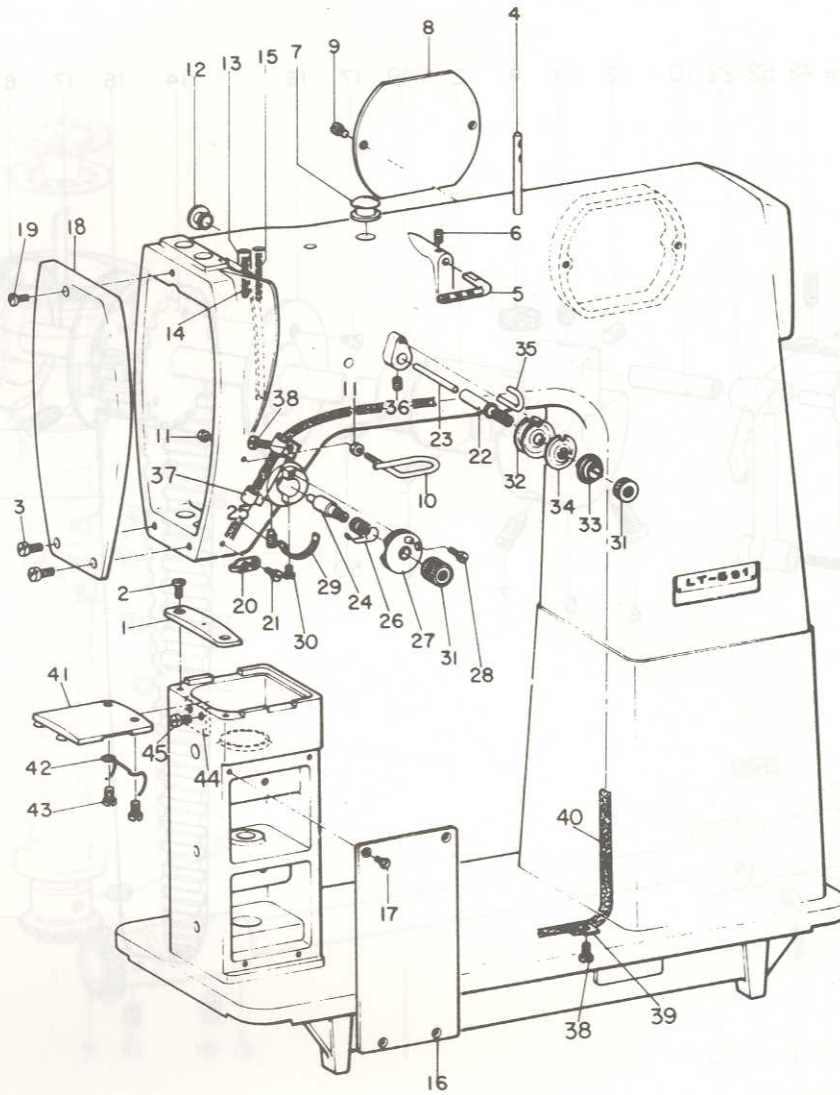
一本針本縫ポスト型しつけ縫ミシン

# LT-591

## PARTS LIST

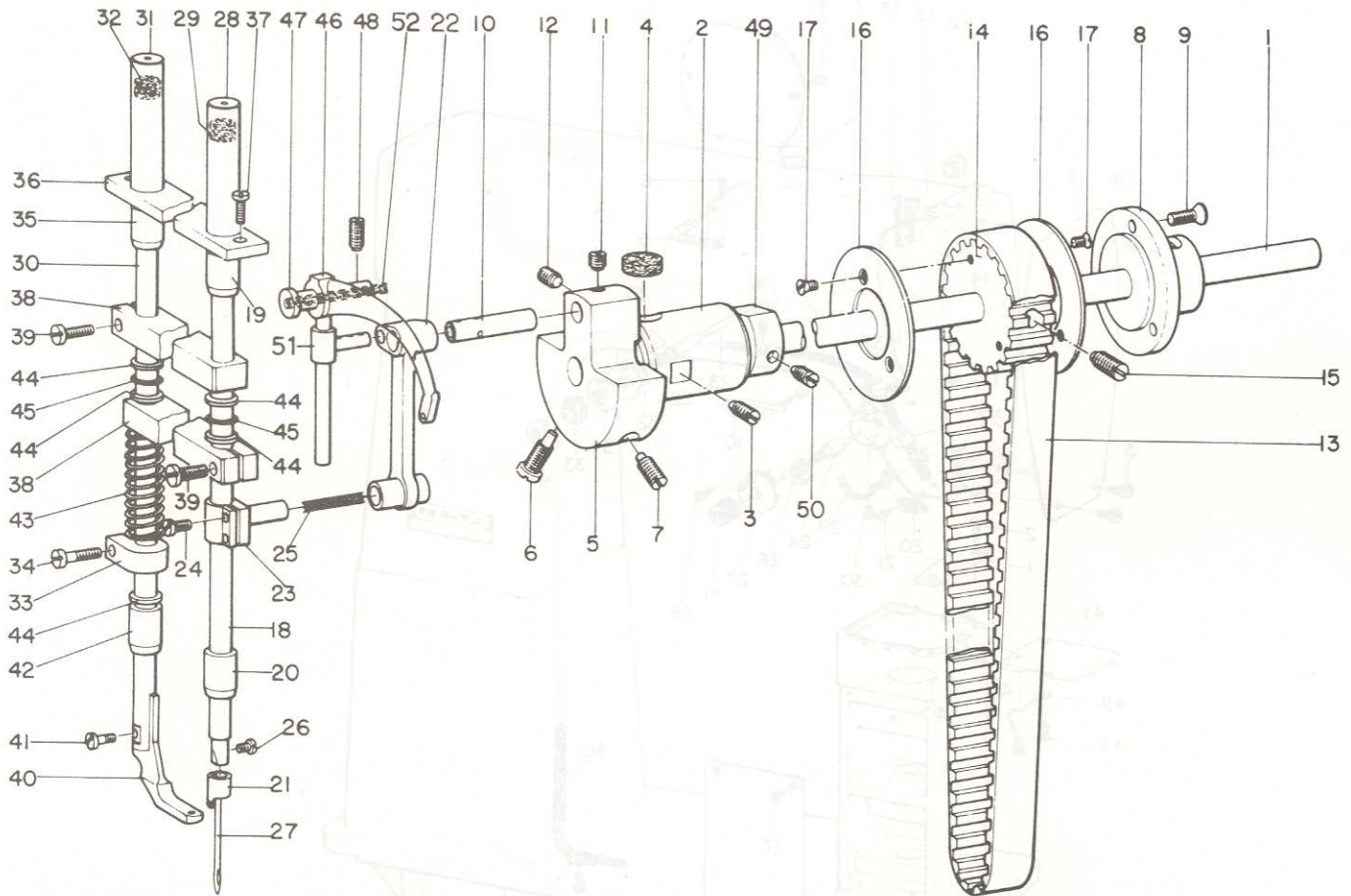


# 1. MACHINE FRAME & TENSION PARTS COMPONENTS



Ref. No.	Part No.	Description	Amt. Req.	Ref. No.	Part No.	Description	Amt. Req.
1	B-1109-059-000	Throat plate	1	24	B-3123-051-000	Take-up spring stud	1
2	SS-7110710-SP	. . . Screw	2	25	SS-8111251-SP	. . . Screw	1
3	SS-7090910-SP	Screw	2	26	B-3128-591-000	Take-up spring	1
4	B-1114-012-000	Thread guide pin	1	*27	B-3137-051-0A0	Take-up spring guide disc asm.	1
5	B-1128-522-000	Three-hole thread eyelet	1	28	SS-6081210-SP	Guide disc set screw	1
6	SS-8110320-SP	. . . Screw	1	29	B-3138-591-000	Take-up spring adjusting plate	1
7	B-1180-541-000	Rubber plug	1	30	SS-7090520-SP	. . . Screw	1
8	B-1130-027-000	Side plate	1	31	B-3125-012-000	Tension nut	3
9	SS-2090710-SP	. . . Screw	2	32	B-3126-051-000	Tension disc	2
10	B-1130-591-000	Frame thread guide	1	33	B-3129-012-A00	Tension spring	1
11	NS-6090310-SP	. . . Nut	2	34	B-3132-051-000	Tension release washer	1
12	B-1164-012-000	Rubber plug	1	35	B-3130-591-000	Thread guide (B)	1
13	B-1170-591-000	Oil pipe	1	36	SS-8150410-SP	Tension post set screw	1
14	CQ-202000000	Oil wick	1	37	D-3536-555-B00	Oil wick holder	1
15	CQ-202000000	Oil wick	1	38	SS-7090710-SP	Screw	2
16	B-1812-059-000	Post-bed cover	1	39	B-3508-512-000	Oil wick holder B	1
17	SS-2090510-SP	. . . Screw	4	40	B-1171-591-000	Oil wick	1
18	B-3101-059-000	Face plate	1	41	B-1110-591-000	Bed slide	1
19	SS-7090910-SP	. . . Screw	1	42	B-1111-591-000	Spring	1
20	B-1130-051-000	Frame thread guide, lower	1	43	SS-7090510-SP	Screw	2
21	SS-2090710-SP	. . . Screw	1	44	B-1840-591-000	Plate	1
22	B-3124-059-000	Thread tension post	1	45	SS-7060610-SP	Screw	2
23	B-3141-059-000	Tension release pin	1				

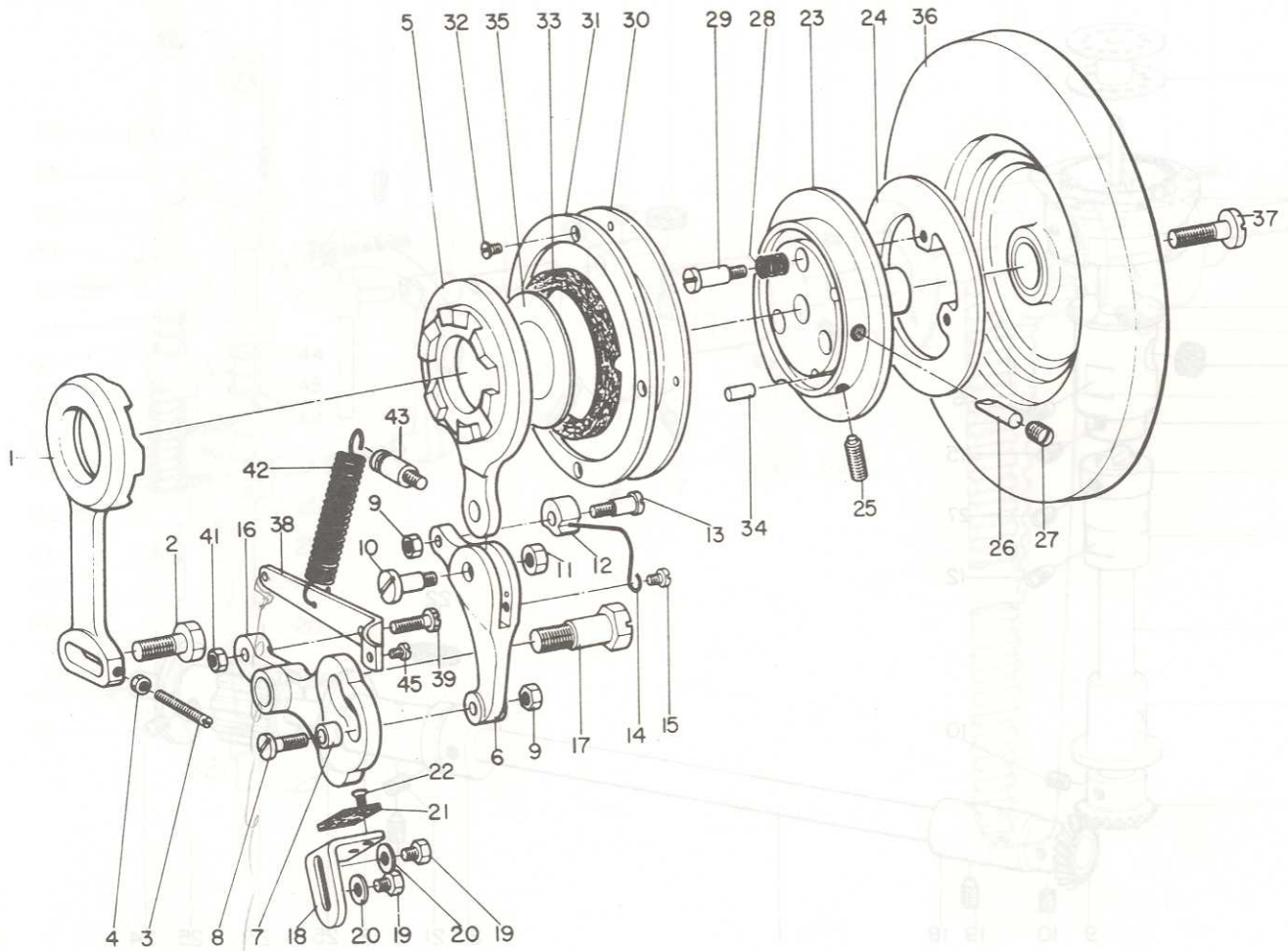
## 2. MAIN SHAFT, NEEDLE BAR & PRESSER BAR COMPONENTS



Ref. No.	Part No.	Description	Amt. Req.	Ref. No.	Part No.	Description	Amt. Req.
1	B-1201-059-000	Main shaft	1	26	SS-7080510-SP	Needle set screw	1
2	B-1202-059-000	. . . Bushing, front	1	27	MTV-700B1400	Needle (TV x 7 #14)	1
3	SS-8151770-SP	. . . Screw	1	28	B-1506-059-000	Needle bar guide sleeve	1
4	B-1203-051-000	. . . Oil felt	1	29	B-1507-591-000	. . . Oil felt	1
5	B-1206-059-000	Counterweight	1	30	B-1501-059-000	Presser bar	1
6	SS-7681750-TP	. . . Screw (A)	1	31	B-1506-059-000	Presser bar guide sleeve	1
7	SS-8681650-TP	. . . Screw (B)	1	32	B-1507-591-000	. . . Oil felt	1
8	B-1203-591-000	Main shaft rear bushing	1	33	B-1505-059-000	Presser bar guide bracket	1
9	SS-7621040-SP	. . . Screw	3	34	SS-6121610-SP	. . . Screw	1
10	B-1210-051-000	Needle bar crank pin	1	35	B-1402-059-000	Presser bar upper bushing	1
11	SS-8680540-SP	. . . Screw (A)	1	36	B-1508-059-000	Support plate, for guide sleeve	1
12	SS-8680730-SP	. . . Screw (B)	1	37	SS-7120910-SP	. . . Screw	2
13	B-1340-059-000	Timing belt	1	38	B-1509-059-000	Presser bar connecting plate	2
14	B-1341-059-000	Sprocket wheel, upper	1	39	SS-6621410-SP	. . . Screw	2
15	SS-8681650-TP	. . . Screw	2	40	B-1524-059-000	Presser foot	1
16	B-1343-059-000	. . . Thrust plate	2	41	SS-6090910-TP	. . . Screw	1
17	SS-2090510-SP	. . . Screw	6	42	B-1403-059-000	Presser bar lower bushing	1
18	B-1401-059-000	Needle bar	1	43	B-1504-591-000	Presser spring	1
19	B-1402-059-000	. . . Bushing, upper	1	44	B-2740-771-000	Gasket, for connecting plate	5
20	B-1403-059-000	. . . Bushing, lower	1	45	RO-0952001-00	Rubber ring, for connecting plate	2
21	B-1418-591-A00	Needle thread guide	1	46	B-1905-059-000	Thread take-up lever	1
22	B-1408-057-000	Needle bar crank connecting rod	1	47	B-1906-051-000	. . . Shaft	1
23	B-1411-057-000	Needle bar connection	1	48	SS-8151550-SP	. . . Screw	1
24	SS-7110720-SP	. . . Screw	2	49	B-3140-591-000	Thread tension release cam	1
25	B-1204-051-000	. . . Oil wick	1	50	SS-8621150-SP	. . . Screw	2
				51	B-1907-057-000	Thrust pin	1
				52	CQ-2020000-00	Oil wick	1



#### 4. STOP-MOTION CLUTCH COMPONENTS



Ref. No.	Part No.	Description	Amt. Req.	Ref. No.	Part No.	Description	Amt. Req.
1	B-1301-050-000	Fixed clutch	1	23	B-1315-591-000	Friction clutch (A)	1
2	B-1313-050-000	... Screw	1	24	B-1316-050-000	Friction clutch (B)	1
3	B-1314-050-000	... Stopper	1	25	SS-8681650-TP	... Screw	2
4	NS-6080210-SP	... Nut	1	26	B-1318-050-000	... Pin	1
5	B-1302-050-000	Stop-motion clutch	1	27	SS-8680730-SP	... Screw	1
6	B-1303-050-000	... Lever	1	28	B-1322-050-000	... Spring	3
7	B-1305-050-000	... Roller, for driving lever	1	29	SD-0651501-SP	... Driving pin	3
8	SD-0640642-SP	... Hinge screw	1	30	B-1317-050-000	... Plate	1
9	NS-6150310-SP	... Nut	2	31	B-1324-050-000	... Presser plate	1
10	SD-0790802-SP	... Hinge screw	1	32	SS-1090930-SP	... Screw	4
11	NS-6160520-SP	... Nut	1	33	B-1320-050-000	Brake	1
12	B-1307-050-000	... Driving cam	1	34	B-1319-050-000	... Pin	1
13	SD-0640641-SP	... Hinge screw	1	35	B-1323-050-000	Clutch liner	1
14	B-1309-050-000	... Spring	1	36	B-1325-050-000	Driving pulley	1
15	SS-6080610-TP	... Screw	1	37	B-1211-050-000	... End screw	1
16	B-1310-050-000	... Driving lever	1	38	B-1330-050-000	Driving lever	1
17	SD-1201751-SP	... Hinge screw	1	39	SS-9151740-CP	... Bolt	1
18	B-1331-050-000	... Stopper	1	40	SS-4091010-SP	... Screw	1
19	SS-9151120-CP	... Screw	2	41	NS-6150430-SP	... Nut	1
20	WP-0650876-SD	... Washer	2	42	B-1342-591-000	Tension spring	1
21	B-1332-050-000	... Cushion	1	43	B-2714-761-000	... Suspension screw	1
22	SS-1080510-SP	... Screw	2				



**JUKI**

**JUKI CORPORATION**

HEAD OFFICE  
2-1, 8-CHOME, KOKURYO-CHO,  
CHOFU-CITY, TOKYO, JAPAN

BUSINESS OFFICE  
23-3, KABUKI-CHO 1-CHOME,  
SHINJUKU-KU, TOKYO 160, JAPAN

CABLE : JUKI TOKYO  
TELEX : J22967, 232-2301  
PHONE : 03(205)1188, 1189, 1190

**JUKI 株式会社**

〒182 東京都調布市国領町8-2-1  
TEL. 03-480-1111(代表)  
工業製品販売部  
TEL. 03-480-1113(ダイヤルイン)

1	1000000000	Clutch housing (1)
2	1000000000	Clutch housing (2)
3	1000000000	Screw
4	1000000000	Pin
5	1000000000	Clutch housing (3)
6	1000000000	Clutch housing (4)
7	1000000000	Clutch housing (5)
8	1000000000	Clutch housing (6)
9	1000000000	Clutch housing (7)
10	1000000000	Clutch housing (8)
11	1000000000	Clutch housing (9)
12	1000000000	Clutch housing (10)
13	1000000000	Clutch housing (11)
14	1000000000	Clutch housing (12)
15	1000000000	Clutch housing (13)
16	1000000000	Clutch housing (14)
17	1000000000	Clutch housing (15)
18	1000000000	Clutch housing (16)
19	1000000000	Clutch housing (17)
20	1000000000	Clutch housing (18)
21	1000000000	Clutch housing (19)
22	1000000000	Clutch housing (20)
23	1000000000	Clutch housing (21)
24	1000000000	Clutch housing (22)
25	1000000000	Clutch housing (23)
26	1000000000	Clutch housing (24)
27	1000000000	Clutch housing (25)
28	1000000000	Clutch housing (26)
29	1000000000	Clutch housing (27)
30	1000000000	Clutch housing (28)
31	1000000000	Clutch housing (29)
32	1000000000	Clutch housing (30)
33	1000000000	Clutch housing (31)
34	1000000000	Clutch housing (32)
35	1000000000	Clutch housing (33)
36	1000000000	Clutch housing (34)
37	1000000000	Clutch housing (35)
38	1000000000	Clutch housing (36)
39	1000000000	Clutch housing (37)
40	1000000000	Clutch housing (38)
41	1000000000	Clutch housing (39)
42	1000000000	Clutch housing (40)
43	1000000000	Clutch housing (41)
44	1000000000	Clutch housing (42)
45	1000000000	Clutch housing (43)
46	1000000000	Clutch housing (44)
47	1000000000	Clutch housing (45)
48	1000000000	Clutch housing (46)
49	1000000000	Clutch housing (47)
50	1000000000	Clutch housing (48)
51	1000000000	Clutch housing (49)
52	1000000000	Clutch housing (50)
53	1000000000	Clutch housing (51)
54	1000000000	Clutch housing (52)
55	1000000000	Clutch housing (53)
56	1000000000	Clutch housing (54)
57	1000000000	Clutch housing (55)
58	1000000000	Clutch housing (56)
59	1000000000	Clutch housing (57)
60	1000000000	Clutch housing (58)
61	1000000000	Clutch housing (59)
62	1000000000	Clutch housing (60)
63	1000000000	Clutch housing (61)
64	1000000000	Clutch housing (62)
65	1000000000	Clutch housing (63)
66	1000000000	Clutch housing (64)
67	1000000000	Clutch housing (65)
68	1000000000	Clutch housing (66)
69	1000000000	Clutch housing (67)
70	1000000000	Clutch housing (68)
71	1000000000	Clutch housing (69)
72	1000000000	Clutch housing (70)
73	1000000000	Clutch housing (71)
74	1000000000	Clutch housing (72)
75	1000000000	Clutch housing (73)
76	1000000000	Clutch housing (74)
77	1000000000	Clutch housing (75)
78	1000000000	Clutch housing (76)
79	1000000000	Clutch housing (77)
80	1000000000	Clutch housing (78)
81	1000000000	Clutch housing (79)
82	1000000000	Clutch housing (80)
83	1000000000	Clutch housing (81)
84	1000000000	Clutch housing (82)
85	1000000000	Clutch housing (83)
86	1000000000	Clutch housing (84)
87	1000000000	Clutch housing (85)
88	1000000000	Clutch housing (86)
89	1000000000	Clutch housing (87)
90	1000000000	Clutch housing (88)
91	1000000000	Clutch housing (89)
92	1000000000	Clutch housing (90)
93	1000000000	Clutch housing (91)
94	1000000000	Clutch housing (92)
95	1000000000	Clutch housing (93)
96	1000000000	Clutch housing (94)
97	1000000000	Clutch housing (95)
98	1000000000	Clutch housing (96)
99	1000000000	Clutch housing (97)
100	1000000000	Clutch housing (98)