

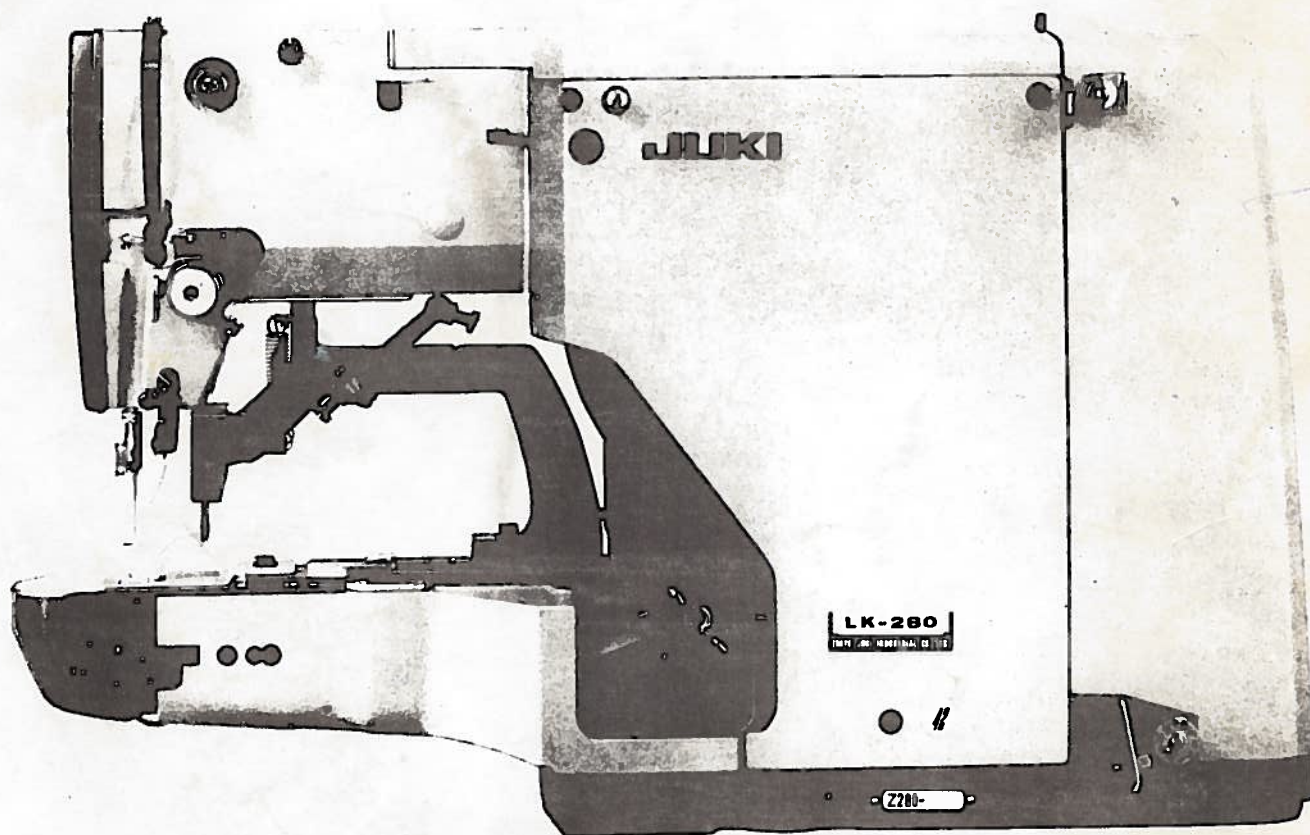
JUKI®

model **LK-280**
SERIES

High Speed Single Needle Lockstitch Bar Tacking
Industrial Sewing Machine

PARTS * BOOK

REVISION No. 6 (1976. 8)



TOKYO JUKI INDUSTRIAL CO., LTD.

1921

1921

HOW TO MAKE USE OF THIS PARTS BOOK

1. This is a consolidated PARTS BOOK of Model LK-280.
2. This book is divided, as a principle, into various sections according to the functions of parts and also contains illustrations to assist you visually.
For example, if you want some parts for the SHUTTLE DRIVER SHAFT COMPONENTS, just refer to the section on "SHUTTLE DRIVER SHAFT COMPONENTS" etc.
3. The figures on the illustrations indicate the corresponding numbers on the BOOK.
4. On bits and pieces parts such as screws, etc. the illustration shows only a representative one and so for the required quantity of these parts, refer to the BOOK.
5. Parts marked with * on the "Ref. No." column, mean these parts are one complete assembly unit.
6. The parts under "Amt. Req." column circled by \bigcirc are parts included in the one assembly unit which is marked with * just above these parts.
7. When placing your order, please specify your order by the assembly unit number marked with * under the "Ref. No." column.

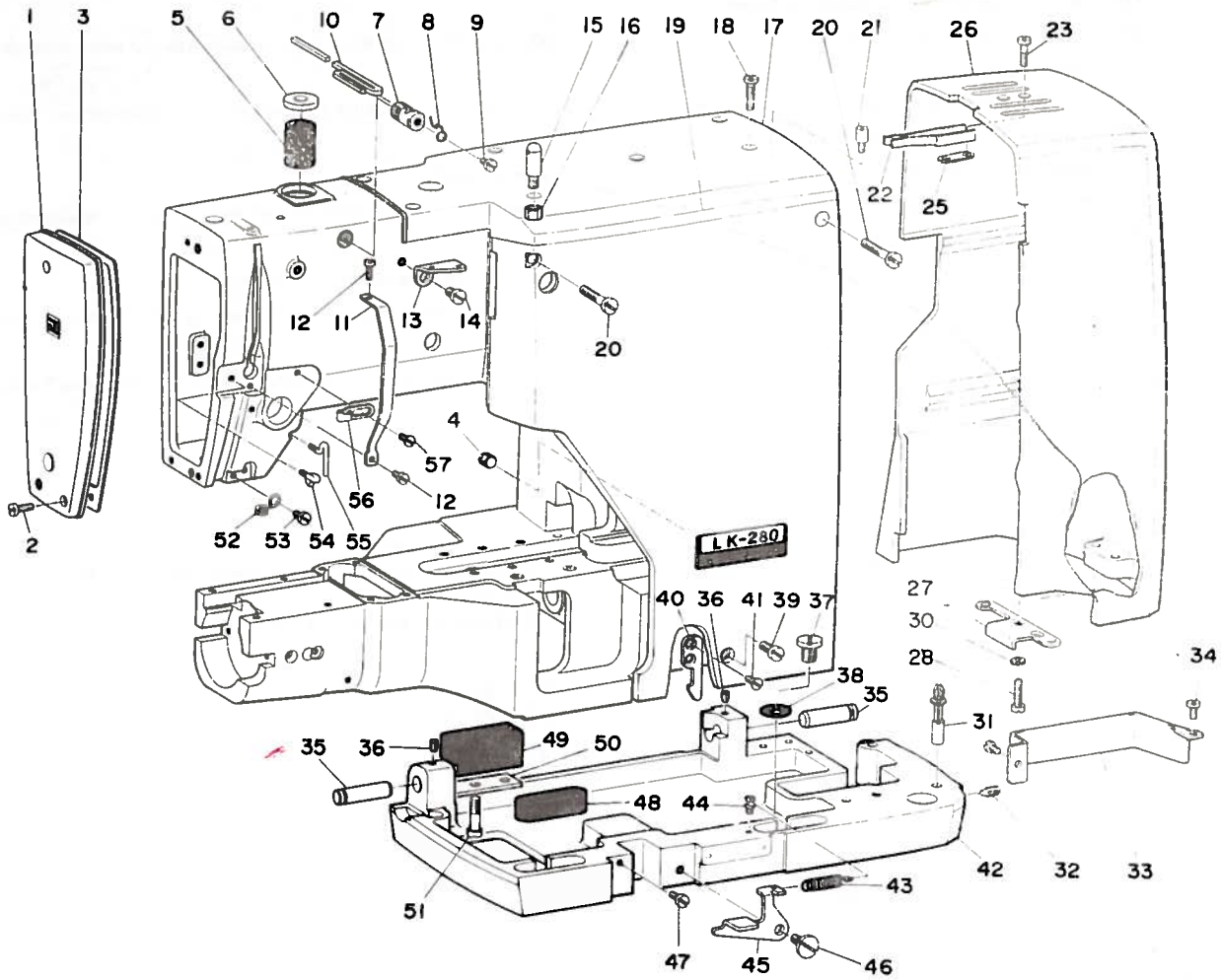
FOR EXAMPLE

Ref. No.	Part No.	Description	Amt. Req.	
* 1	B-1111-111-0A0	Name of part	1	Means one assembly unit
2	B-1111-111-000	" "	\bigcirc 1	Means this is included in the above B-1111-111-0A0 assembly unit. (This part can be sold as a single unit)

CONTENTS

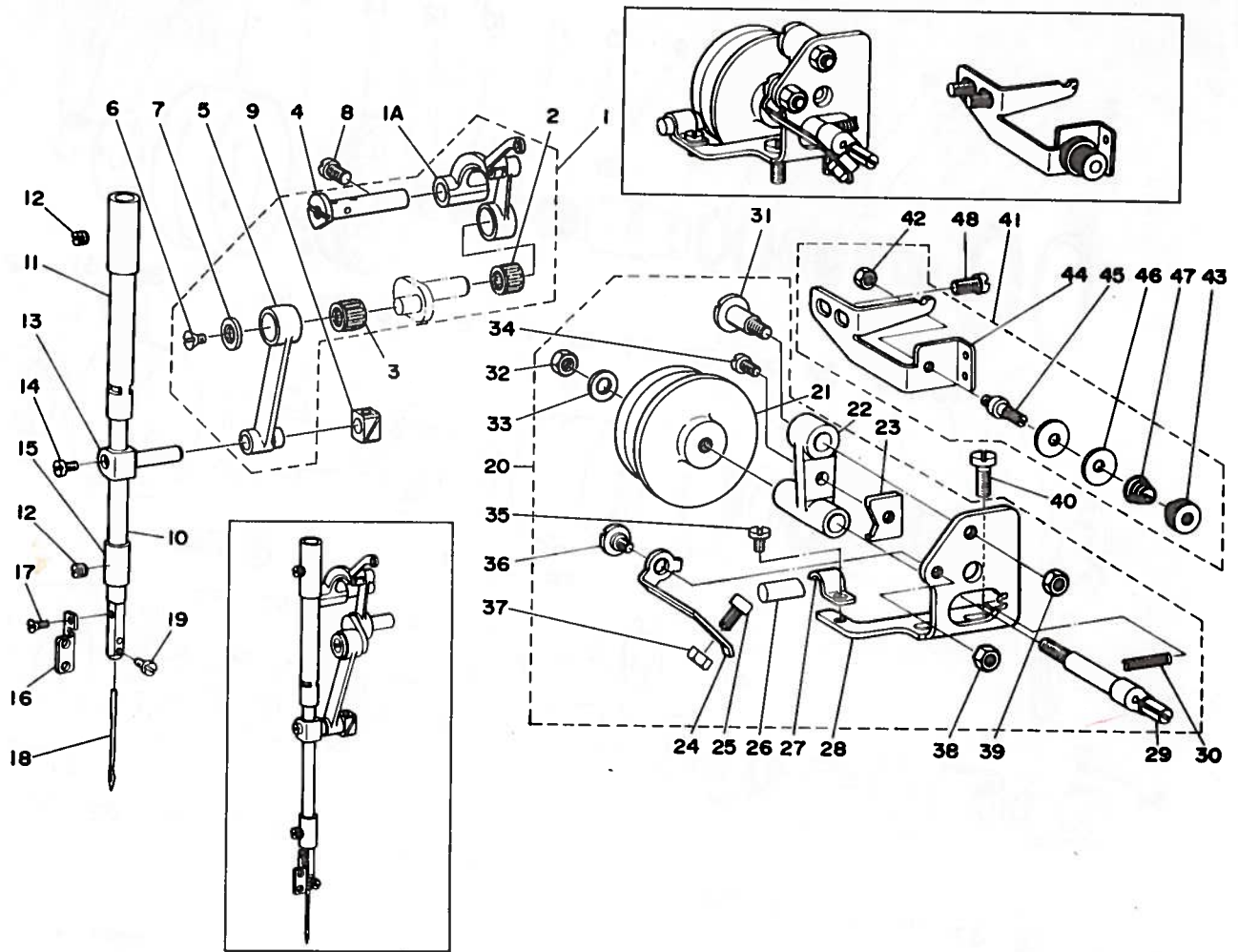
1. MACHINE FRAME COMPONENTS	1
2. THREAD TAKE-UP LEVER & BOBBIN THREAD WINDER COMPONENTS	2
3. MAIN SHAFT COMPONENTS	4
4. THREAD TENSION RELEASE COMPONENTS	6
5. SHUTTLE DRIVER SHAFT COMPONENTS	6
6. THREAD TRIMMER & NEEDLE PLATE COMPONENTS	7
7. FEED CAM COMPONENTS	8
8. WORK CLAMP FOOT COMPONENTS	9
9. PEDAL PRESSURE DECREASING UNIT COMPONENTS	10
10. STOP-MOTION MECHANISM COMPONENTS	11
11. OIL LUBRICATION MECHANISM COMPONENTS	12
12. TABLE COMPONENTS	13
13. NUMERICAL INDEX OF PARTS	14
14. MODEL LK-2B2-LK-284 SUBCLASS PARTS BOOK	16

1. MACHINE FRAME COMPONENTS



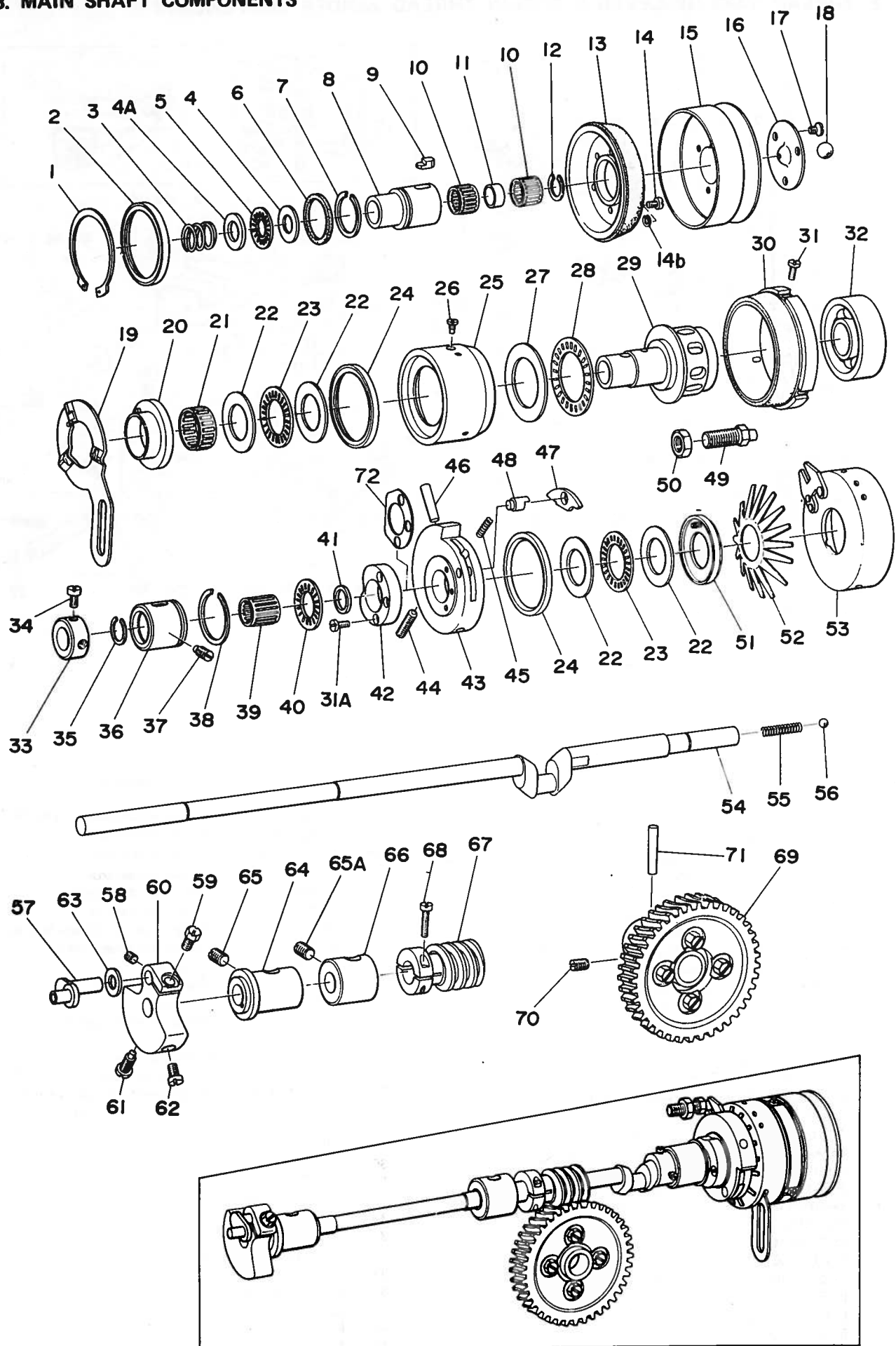
Ref. No.	Part No.	Description	Amt. Req.	Ref. No.	Part No.	Description	Amt. Req.
1	B1120-280-000	Face plate	1	30	WP-0501016-SD	Washer	2
2	SS-7111120-SP	Screw	3	31	B1116-280-000	Pin	2
3	B1121-280-000	Gasket	1	33	B1112-280-000	Belt cover, small	1
4	SS-8680730-SP	Oiling screw	1	34	SS-7110710-SP	Screw	2
5	B1130-280-000	Silicon oil tank felt	1	35	B1107-280-000	Base connecting pin	2
6	B1129-280-000	Silicon oil tank cover	1	36	SS-8151150-TP	Screw	2
7	B1126-280-000	Silicon oil pipe	1	37	SS-6741010-SP	Oil drain cap screw	1
8	B1127-280-000	Silicon oil thread guide	1	38	B8219-125-000	Gasket	1
9	SS-7110410-SP	Screw	1	39	SS-7151210-SP	Top cover set screw, small	1
10	B1128-280-000	Silicon oil felt	1	40	B1109-280-000	Hook B	1
11	B1122-280-000	Thread take-up lever oil guard	1	41	SS-1110840-SP	Screw	2
12	SS-7090710-SP	Screw	2	42	B1103-280-000	Machine base	1
13	B1111-232-000	Thread guide, No.2	1	43	B1507-352-000	Spring, for hook A	1
14	SS-7150740-SP	Screw	1	44	B1110-280-000	Suspension	1
15	B1123-280-000	Thread guide, No.1	1	45	B1108-280-000	Hook A	1
16	NS-6150310-SP	Set nut	1	46	SD-0720331-SP	Hinge screw	1
17	B1117-280-000	Top cover	1	47	SS-6111010-TP	Stopper	1
18	SS-6151780-SP	Screw	4	48	B1104-280-000	Rubber pad	2
19	B1119-280-000	Cam cover	1	49	B1105-280-000	Base connecting pin bracket	1
20	SS-6153040-SP	Screw	2	50	B1106-280-000	Washer	1
21	B1114-280-000	Belt cover spring suspension	1	51	SS-6153040-SP	Screw	2
22	B1113-280-000-A	Stopper spring for belt cover	1	52	B1124-280-000	Frame thread guide B	1
23	SS-7111310-SP	Screw	2	53	SS-7110710-SP	Screw	1
25	B1133-280-000	Spring set plate	1	54	B3114-771-000	Take-up thread guide	1
26	B1111-280-000	Belt cover	1	55	B1125-280-000	Tension thread guide	1
27	B1115-280-000	Hinge	1	56	B1126-552-000	Frame thread guide A	1
28	SS-6111210-SP	Screw	2	57	SS-3090610-SP	Screw	1

2. THREAD TAKE-UP LEVER & BOBBIN THREAD WINDER COMPONENTS



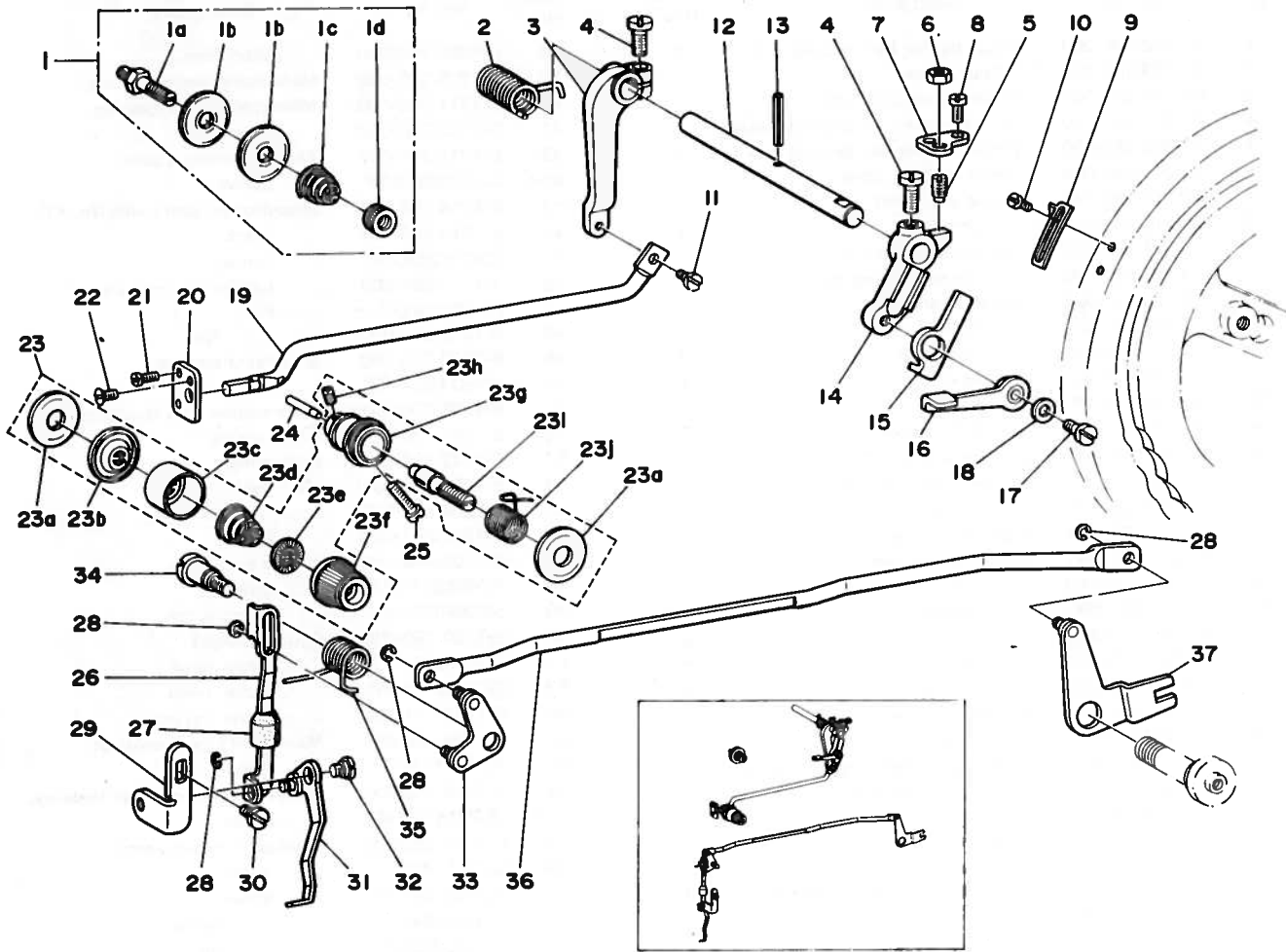
Ref. No.	Part No.	Description	Amt. Req.	Ref. No.	Part No.	Description	Amt. Req.
*1	B-1901-280-0B0	Thread take-up lever complete	1	25	B-3208-280-000	Bobbin winder adjusting screw	①
1A	B-1901-280-0A0	Thread take-up lever	①	26	B-3209-280-000	Bobbin winder brake	①
2	B-1905-541-B00	. . . Needle bearing	①	27	B-3210-280-000	. . . Presser plate	①
3	B-1411-804-B00	Needle bar crank needle bearing	①	28	B-3201-280-000	Bobbin winder base	①
4	B-1904-280-000	Take-up lever pin	①	29	B-3204-280-000	Bobbin winder spindle	①
5	B-1404-280-000	Needle bar crank rod	①	30	B-3203-280-000	Spring, for bushing	①
6	B-1903-552-000	. . . End screw	①	31	SD-0791501-SP	Hinge screw, for spindle bushing	①
7	B-1910-552-000	. . . Washer	①	32	NS-6150310-SP	Set nut, for bobbin winder wheel	①
8	SS-7150940-SP	Take-up lever pin set screw	1	33	WP-0651056-SD	Washer, for bobbin winder wheel	①
9	B-1414-232-000	Needle bar connection slide block	1	34	SS-7110910-SP	Bobbin winder tension bracket set screw	①
10	B-1401-280-000	Needle bar	1	35	SS-7110410-SP	Bobbin winder brake presser plate set screw	①
11	B-1402-280-000	. . . Upper bushing	1	36	SD-0720193-SP	Hinge screw, for trip latch	①
12	SS-8150310-SP Screw	2	37	NS-6110530-SP	Nut, for bobbin winder adjusting screw	①
*13	B-1411-552-0A0	. . . Connection, with screw	1	38	NS-6110420-SP	Nut, for trip latch	①
14	SS-6090670-TP Clamp screw	①	39	NS-6150310-SP	Nut, for spindle bushing set hinge screw	①
15	B-1403-280-000	. . . Lower bushing	1	40	SS-7151210-SP	Screw, for bobbin winder base	2
16	B-1405-280-000	. . . Thread guide	1	*41	B-3211-280-0A0	Bobbin winder thread guide complete	1
17	SS-2060510-SP Screw	1	42	NS-6110310-SP	Tension post nut	①
18	MDP-500B1600	Needle (DPx5 #16)	1	43	B-3216-047-000	Tension nut	①
19	SS-7080510-SP	. . . Screw	1	44	B-3211-280-000	Tension bracket	①
*20	B-3201-280-0A0	Bobbin thread winder complete	1	45	B-3219-232-000	Tension post	①
21	B-3205-280-000	Bobbin winder wheel	①	46	B-3214-047-000	Tension disc	②
22	B-3202-280-000	. . . Spindle bushing	①	47	B-3218-232-000	Tension spring	①
23	B-3206-280-000	Bobbin winder tension bracket	①	48	SS-7150940-SP	Tension bracket set screw	2
24	B-3207-280-000	Bobbin winder trip latch	①				

3. MAIN SHAFT COMPONENTS



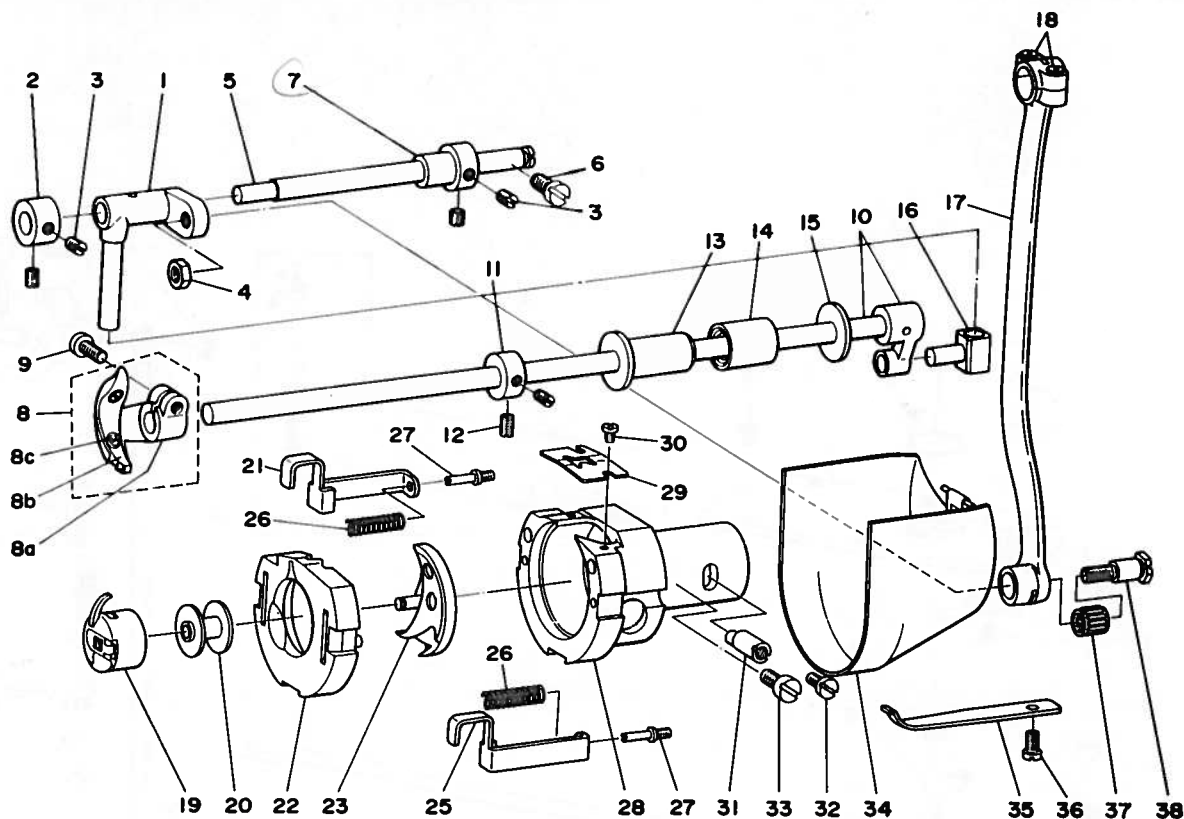
Ref. No.	Part No.	Description	Amt. Req.	Ref. No.	Part No.	Description	Amt. Req.
1	B-1238-280-000	Stop ring, for ball bearing	1	38	B-1209-280-000	. . . Stop ring	1
2	B-1239-280-000	Oil seal, large	1	39	B-1208-280-000	Main shaft needle bearing	1
3	B-1240-280-000	Pushing spring, for ball	1	40	B-1211-280-000	Main shaft thrust bearing	1
4	B-1242-280-000	Thrust washer, for bearing, small	1	41	B-1212-280-000	. . . Stop ring	1
4A	B-1256-280-000	Thrust washer, for bearing	1	42	B-1213-280-000	Thread trimming cam	1
5	B-1241-280-000	Thrust bearing, small	1	31A	SS-7090910-TP	. . . Screw	3
6	B-1247-280-000	Grease guard felt	1	*43	B-1214-280-0A0	Stop-motion cam (with No. 47)	1
7	B-1248-280-000	. . . Stop ring	1	47	B-1215-280-000	. . . Latch	1
8	B-1243-280-000	Bushing, for bearing	1	44	SS-8152030-SP	. . . Screw	1
9	B-1251-280-000	Key, for decreasing speed	1	45	B-1217-280-000	. . . Latch release spring	1
10	B-1244-280-000	Needle bearing	2	46	PT-0603800-TH	. . . Pin	1
11	B-1245-280-000	. . . Collar	1	48	B-1216-280-000 Pin	1
12	B-1246-280-000	. . . Stop ring	1	49	B-2623-280-000	Brake ring stopper	1
13	B-1249-280-000	Driving clutch	1	50	NS-6740510-SP	. . . Nut	1
14	SS-6080610-TP	. . . Screw	6	51	B-1218-280-0A0A	Stop-motion cam thrust collar	1
14b	WS-0441040-KP	. . . Spring washer	6	52	B-1220-280-000A	Brake spring	1
15	B-1250-280-000	Driving pulley	1	53	B-1222-280-0A0	Brake ring	1
16	B-1252-280-000	Stop-motion ball retainer	1	54	B-1201-280-000	Main shaft	1
17	SS-1110640-TP	. . . Screw	3	55	B-1254-280-000	. . . Pressure spring	1
18	B-1253-280-000	Stop-motion ball	1	56	B-1246-372-000	. . . Ball	1
19	B-1226-280-000	Brake release cam	1	57	B-1203-280-000	Needle bar crank	1
20	B-1228-280-0A0	. . . Thrust collar	1	58	SS-8660610-TP	. . . Screw	1
21	B-1715-581-000	. . . Needle bearing	1	59	SS-9661230-CP	. . . Clamp screw	1
22	B-1232-280-000	. . . Stop ring	4	60	B-1202-280-000	Counterweight	1
23	B-1231-280-000	. . . Bearing	2	61	SS-7681750-TP	. . . Screw, large	1
24	B-1230-280-000	. . . Oil seal	2	62	SS-7151120-SP	. . . Screw, small	1
25	B-1233-280-000	Ball bearing case	1	63	B-1223-771-000	. . . Protecting plate	1
26	SS-6090680-TP	. . . Screw	1	64	B-1204-280-000	Main shaft front bushing	1
27	B-1236-280-000	Stop ring, for ball bearing, large	1	65	SS-8151150-SP	. . . Screw	1
28	B-1235-280-000	Thrust bearing, large	1	66	B-1205-280-000	Main shaft intermediate bushing	1
29	B-1219-280-000	Driving ring	1	65A	SS-8151150-SP	. . . Screw	1
30	B-1234-280-000	Brake cork ring	1	67	B-2205-280-000	Feed cam driving worm	1
31	SS-7090910-TP	. . . Screw	3	68	SS-7111410-TP	. . . Screw	2
32	B-1237-280-000	Ball bearing, for speed decreasing	1	69	B-2204-280-0A0	. . . Wheel	1
33	CS-1401113-TH	Main shaft thrust collar	1	70	SS-8660820-TP Screw	1
34	SS-6660710-TP	. . . Screw	2	71	PT-0503200-SH Pin	1
35	B-1210-280-000	Stop ring, for main shaft bearing	1				
36	B-1207-280-000	Rear bushing, for main shaft	1				
37	SS-8151150-SP	. . . Screw	1				

4. THREAD TENSION RELEASE COMPONENTS



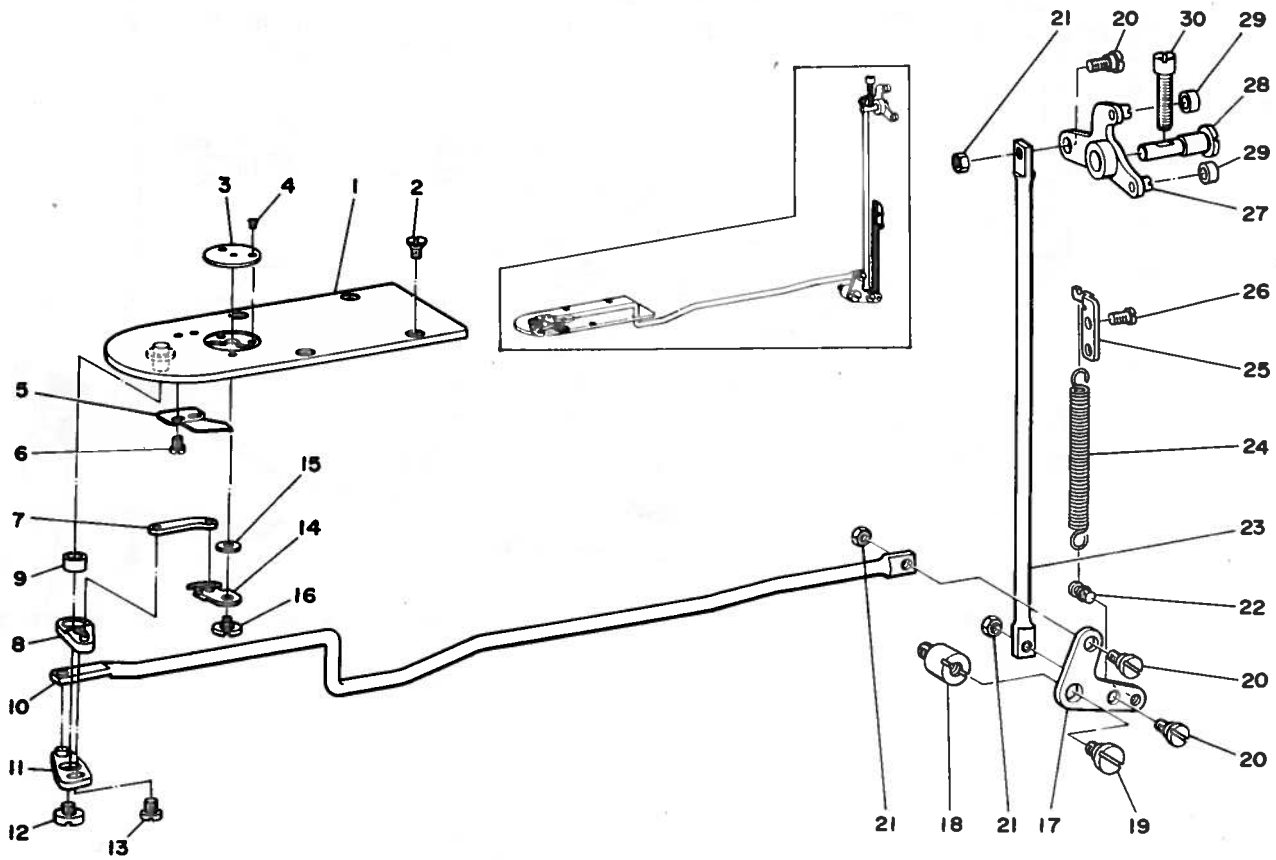
Ref. No.	Part No.	Description	Amt. Req.	Ref. No.	Part No.	Description	Amt. Req.
*1	B-1115-232-0A0	Thread tension, No. 1 asm.	1	23c	B-3107-804-000	Tension disc presser tube	①
1a	B-3123-352-000	Tension post, No. 1	①	23d	B-3114-232-000	Tension spring, No. 2	①
1b	B-3128-012-000	Tension disc	②	23e	B-3120-125-000	Tension disc stopper	①
1c	B-1115-232-000	Tension spring, No. 1	①	23f	B-3119-771-000	Tension nut, No. 2	①
1d	A-3125-002-000	Tension nut, No. 1	①	23g	B-2313-280-000	Tension post socket	①
2	B-2310-280-000	Spring, for tension release link	1	23h	SS-8090610-SP	Tension post set screw	①
3	B-2307-280-000	Tension release link (B)	1	23i	B-2302-280-000	Tension post, No. 2	①
4	SS-7151210-SP	. . . Screw	2	23j	B-3112-761-000	Thread take-up spring	①
5	SS-8151150-TP	Adjusting screw, for tension release latch	1	24	B-2303-280-000	Tension release pin	1
6	NS-6150310-SP	. . . Nut	1	25	SS-9111510-SP	Tension post socket set screw	1
7	B-2315-280-000	Stopper, for link (A)	1	26	B-2103-280-000	Wiper connecting plate	1
8	SS-7110740-TP	. . . Screw	2	27	B-2108-280-000	Oil shield cap	1
9	B-2304-280-000	Tension release link tripping segment	1	28	B-1229-232-000	Snap ring	4
10	SS-7090520-TP	. . . Screw	2	29	B-2102-280-000	Wiper installing plate	1
11	SD-0450211-SP	Hinge screw, for tension release bar	1	30	SS-7110840-SP	. . . Screw	1
12	B-2309-280-000	Shaft, for tension release link	1	31	B-2101-280-0A0	Wiper	1
13	PS-0300201-KP	Pin, for spring	1	32	SD-0640211-SP	. . . Hinge screw	1
14	B-2308-280-000	Tension release link (A)	1	33	B-2104-280-0A0	. . . Connecting arm	1
15	B-2305-280-000	. . . Latch	1	34	B-2109-280-000	. . . Connecting screw	1
16	B-2308-280-0A0	Tension release lever	1	35	B-2110-280-000	. . . Spring, for connecting arm	1
17	SD-0500481-TP	. . . Hinge screw	1	36	B-2106-280-000	. . . Connecting bar	1
18	WP-0520656-SA	. . . Washer	1	37	B-2107-280-0A0	. . . Driving link	1
19	B-2312-280-000	Tension release bar	1				
20	B-2311-280-000	. . . Supporter	1				
21	SS-7090620-SP Screw	2				
22	SS-6090610-SP	. . . Stopper screw	1				
*23	B-2302-280-0A0	Tension controller, No. 2	1				
23a	B-3128-012-000	Tension disc	②				
23b	B-3132-552-000	Tension disc holder	①				

5. SHUTTLE DRIVER SHAFT COMPONENTS



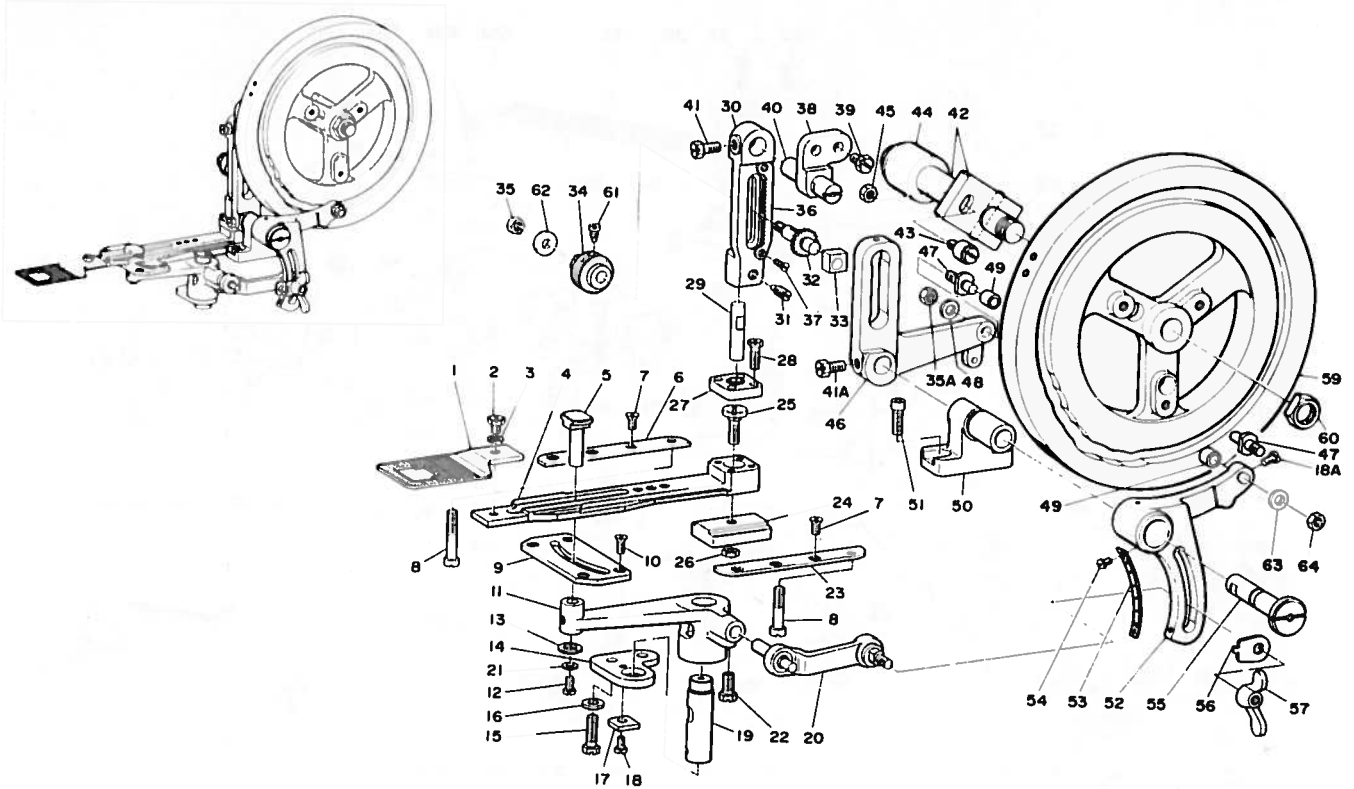
Ref. No.	Part No.	Description	Amt. Req.	Ref. No.	Part No.	Description	Amt. Req.
1	B-1805-280-000	Oscillating rock shaft	1	22	B-1817-280-0A0	Shuttle race ring	1
2	CS-0791016-SH	. . . Thrust collar (small)	1	23	B-1818-280-000	Shuttle	1
3	SS-8110520-TP Clamp screw	4	25	B-1820-280-000	Shuttle race latch (right)	1
4	NS-6660430-SP	Nut, for hinge screw	1	26	B-1823-280-000	Spring, for shuttle race	2
5	B-1803-280-000	Oscillating rock shaft hinge pin	1	27	B-1822-280-000	Shuttle race latch shaft	2
6	SS-7150940-SP	. . . Clamp screw	1	28	B-1814-280-000	Shuttle race	1
7	B-1804-280-000	Thrust collar (large) for oscillating rock	1	29	B-1815-280-000	Shuttle race spring	1
*8	B-1812-280-0A0	Shuttle driver asm.	1	30	SS-6060410-TP	. . . Screw	2
8a	B-1812-280-000	Shuttle driver	①	31	B-1819-280-000	Shuttle race adjusting shaft	1
8b	B-1813-280-000A	. . . Spring	①	32	SS-7110510-TP	. . . Screw	1
8c	SS-2060320-SP Screw	②	33	SS-6151220-SP	Clamp screw, for shuttle race	1
9	SS-6121212-TP	. . . Clamp screw	1	34	B-1824-280-0A0	Cylinder arm cap complete	1
10	B-1811-280-0A0	Shuttle driver shaft with crank	1	35	B-1826-280-000	. . . Spring	1
11	CS-0800816-SH	. . . Thrust collar	1	36	SS-6111010-TP Clamp screw	1
12	SS-6110420-TP Clamp screw	2	37	B-1411-804-800	Connecting rod bearing	1
13	B-1810-280-000	. . . Bushing	1	38	SD-0801021-TP	. . . Hinge screw	1
14	B-1809-280-00B	. . . Needle bearing	1				
15	B-1808-280-000	Washer, for shuttle driver shaft crank	1				
16	B-1807-280-000	Slide block, for shuttle driver shaft crank	1				
17	B-1801-280-000	Shuttle drive connecting rod	1				
18	SS-7111110-SP	. . . Clamp screw	2				
19	B-1828-280-0A0	Bobbin case	1				
20	B-1827-280-000	Bobbin	1				
21	B-1821-280-000	Shuttle race latch (left)	1				

6. THREAD TRIMMER & NEEDLE PLATE COMPONENTS



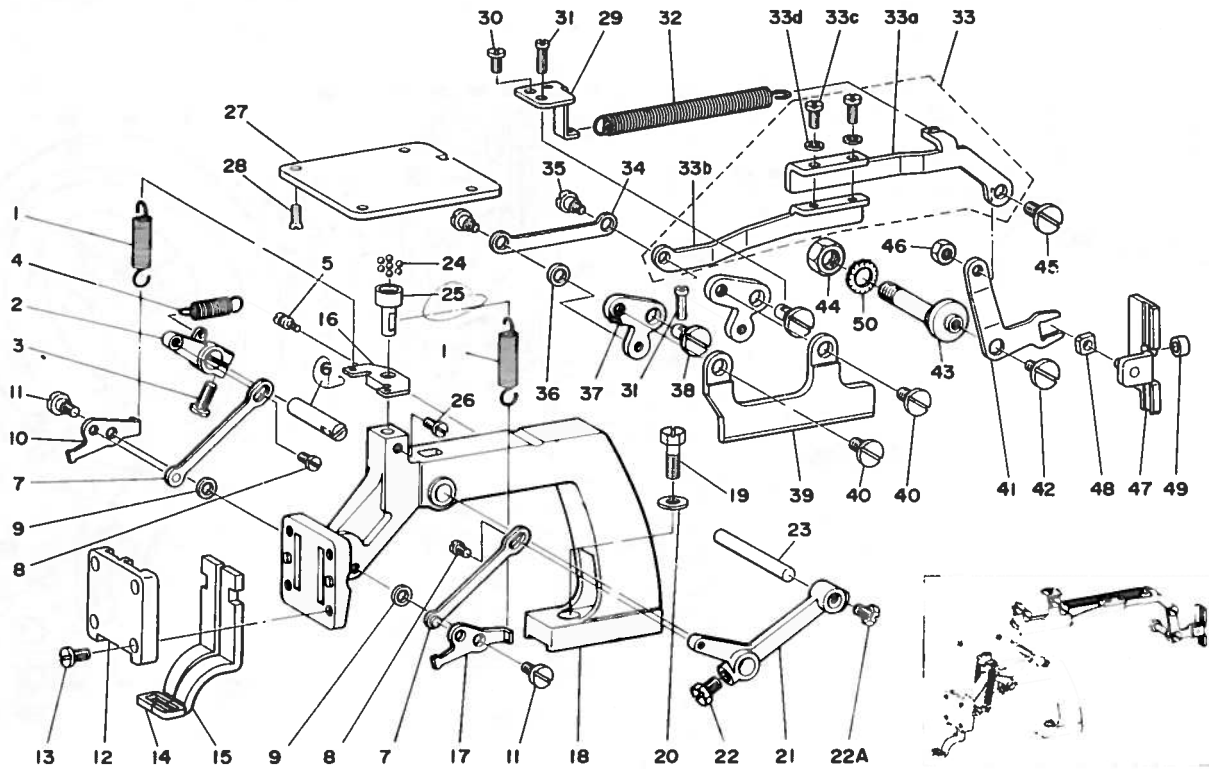
Ref. No.	Part No.	Description	Amt. Req.	Ref. No.	Part No.	Description	Amt. Req.
1	B2425-280-0A0	Needle plate	1	16	SD-0500091-TP	. . . Hinge screw	1
2	SS-1110640-TP	. . . Screw	4	17	B2408-280-000	Knife driving bar connecting link	1
3	B2426-280-000	. . . Needle hole guide	1	18	B2409-280-000	. . . Mounting base	1
4	SS-2060220-SP Screw	2	19	SD-0790303-SP	. . . Hinge screw	1
5	B2424-280-000	Counter knife	1	20	SD-0650305-TP	Hinge screw, for knife driving bar	3
6	SS-7090410-SP	. . . Screw	2	21	NS-6120310-SP	. . . Nut	3
7	B2418-280-000	Moving knife connecting link	1	22	B1110-280-000	Tension spring suspension	1
8	B2415-280-0A0	Moving knife driving lever, small	1	23	B2407-280-000	Knife driving rod	1
9	B2416-280-000	. . . Collar	1	24	B2410-280-000	Tension spring	1
10	B2413-280-000	Knife driving bar, large	1	25	B2412-280-000	. . . Suspension, upper	1
11	SS-1414-280-0A0	Moving knife driving lever, large	1	26	SS-7110720-SP Screw	2
12	SS-6110430-TP	. . . Screw	1	27	B2401-280-0A0	Knife driving rod tripping arm	1
13	SS-7110510-SP	. . . Connecting screw	1	28	B2403-280-000	. . . Stud	1
14	B2421-280-0A0	Moving knife	1	29	B2404-280-000	Cam roller	2
15	B2423-280-00A	. . . Washer (t=0.4)	(1) 15	30	SS-6152440-SP	Screw, for stud	1
	B2423-280-00B	. . . Washer (t=0.5)	1				
	B2423-280-00C	. . . Washer (t=0.6)	(1) 25				
	B2423-280-00D	. . . Washer (t=0.7)	(1) 27				

7. FEED CAM COMPONENTS



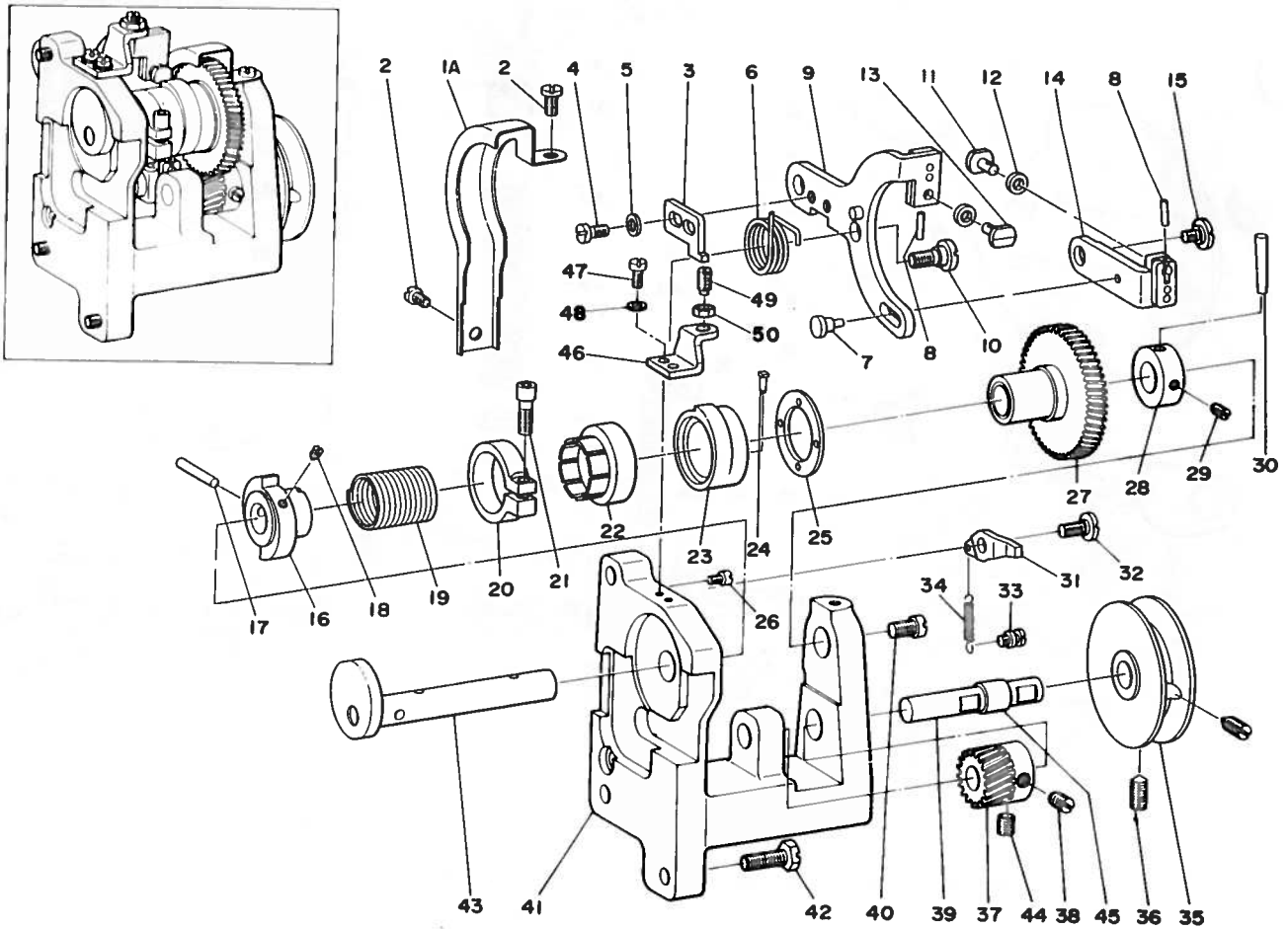
Ref. No.	Part No.	Description	Amt. Req.	Ref. No.	Part No.	Description	Amt. Req.
1	B-2519-280-000	Feed plate	1	34	B-2511-280-000	Feed regulator knob	1
2	SS-9150710-TP	. . . Screw	1	35	NS-6150310-SP	. . . Nut	1
3	WP-0651056-SD	. . . Washer	1	36	B-2508-280-000	Feed regulator rack	1
4	B-2518-280-000	. . . Carrier bar	1	37	SS-1090920-SP	. . . Screw	2
5	B-2533-280-000	Feed across driving block	1	38	B-2505-280-000	Feed regulator supporting plate	1
6	B-2515-280-000	Feed plate carrier bar guide plate, right	1	39	SS-9151630-CP	. . . Screw	2
7	SS-1110821-TP	. . . Screw (A)	6	40	B-2517-280-000	. . . Stud	1
8	SS-7112420-SP	. . . Screw (B)	2	41	SS-9151630-CP Screw	1
9	B-2534-280-000	Slide plate, for feed across driving block	1	42	B-2201-280-0A0	Worm wheel shaft complete	1
10	SS-2110910-SL	. . . Screw	4	43	B-2207-280-000	Feed cam position stud	1
11	B-2530-280-000	Feed across driving arm	1	44	B-2202-280-000	Worm wheel shaft bushing	1
12	SS-7110740-TP	Screw, for driving block	1	45	NS-6660511-SP	Nut, for position stud	1
13	B-2557-280-00B	Washer, for driving arm	1	46	B-2503-280-000	Feed driving arm	1
14	B-2535-280-000	Supporting plate, for driving arm	1	41A	SS-9151120-CP	. . . Screw	1
15	SS-9151910-SN	. . . Screw	2	47	B-2501-280-000	Feed cam roller shaft	2
16	WP-0612516-SD	. . . Washer	2	35A	NS-6660430-SP	. . . Nut	1
17	B-2532-280-000	Stopper, for feed across driving arm stud	1	48	WP-0651056-SD	. . . Washer	1
18	SS-7110510-SP	. . . Screw	1	49	B-2502-280-00B	Feed cam roller 9.5 φ (previous parts)	(2)
19	B-2531-280-000	Feed across driving arm stud	1		B-2502-280-B00	Feed cam roller 11 φ (new parts)	2
20	B-2524-280-0A0A	Feed across driving arm connecting rod	1	50	B-2523-280-000	Feed driving arm bracket	1
21	WP-0501016-SD	Washer, for driving block	1	51	SM-6081542-CP	. . . Screw	2
22	SS-9661230-CP	Screw, for connecting rod	1	52	B-2521-280-000	Feed across regulator	1
23	B-2516-280-000	Feed plate carrier bar guide plate, left	1	53	B-2529-280-000	Feed across scale	1
24	B-2512-280-000	Feed plate carrier bar slide plate	1	54	SS-3090510-SP	. . . Screw	2
25	SD-0790433-TP	Hinge screw, for feed plate carrier bar	1	55	B-2522-280-000	Feed across regulator shaft	1
26	NS-6150310-SP	. . . Nut	1	56	B-2554-280-000	Indicator	1
27	B-2514-280-000	Ball joint connection	1	57	B-2528-280-000	Wing nut	1
28	SS-9121410-TP	. . . Screw	4	63	WP-0650876-SD	. . . Washer	1
29	B-2513-280-000	Feed regulator pin	1	64	NS-6660511-SP	. . . Nut	1
30	B-2504-280-000	Feed regulator	1	59	B-2209-280-000	Feed cam (groove width 9.5 mm) (previous part)	(1)
31	SS-8151350-SP	. . . Pin set screw	1		B-2209-280-000A	Feed cam (groove width 11 mm) (new part)	1
32	B-2506-280-0A0	Pinion	1	60	NS-6361040-SP	Worm wheel shaft set nut	1
33	B-2507-280-000	. . . Slide block	1	61	B-2510-280-000	Screw, for feed regulator knob	1
				62	WP-0612516-SD	. . . Washer	1

8. WORK CLAMP FOOT COMPONENTS



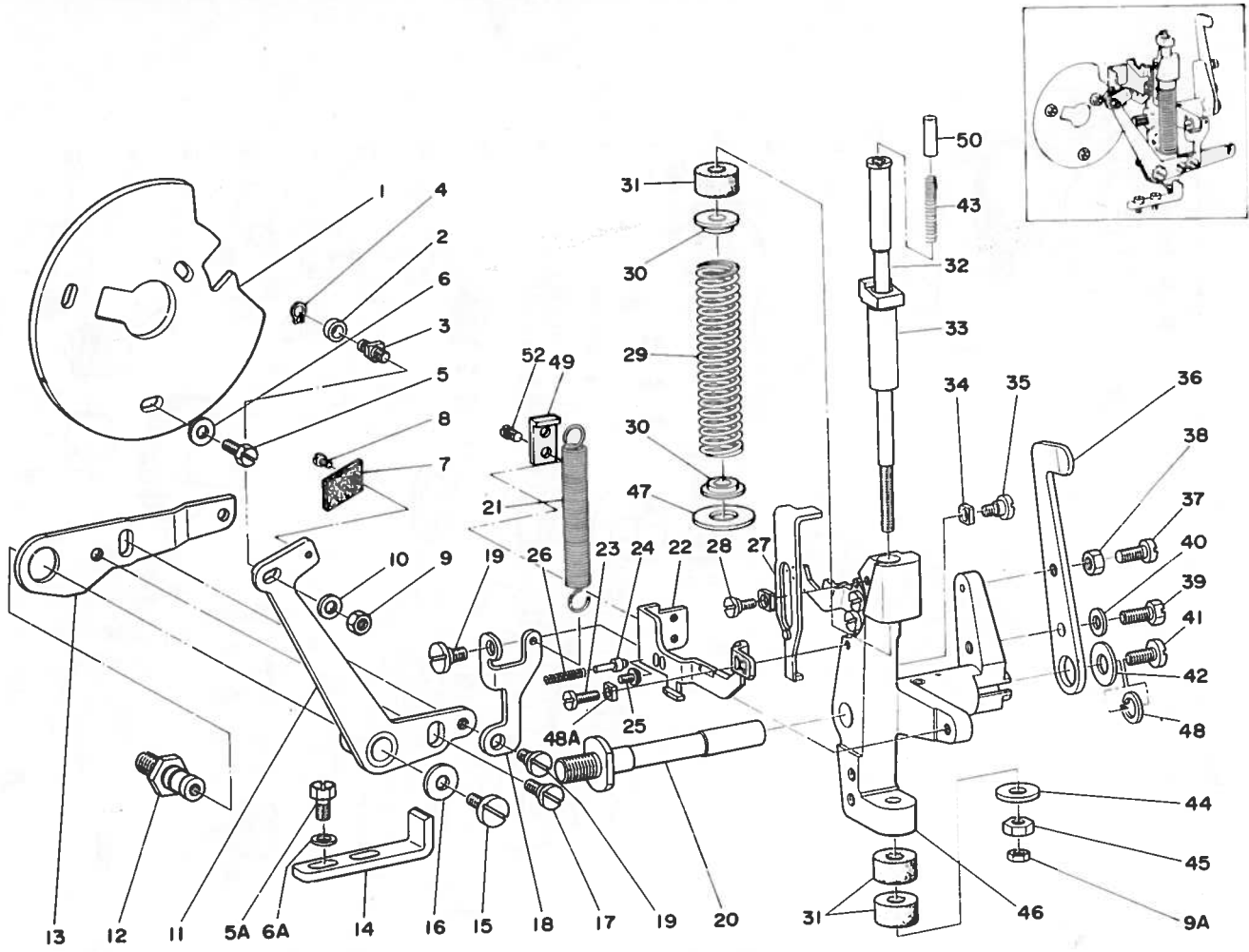
Ref. No.	Part No.	Description	Amt. Req.	Ref. No.	Part No.	Description	Amt. Req.
1	B-2545-280-000	Pressure spring	2	29	B-1514-280-000A	Spring suspension	1
2	B-2538-280-000	Work clamp foot lifting lever, small	1	30	SS-7110710-SP	. . . Screw	1
3	SS-6121212-TP	. . . Screw	1	32	B-1513-280-000	Tension spring	1
4	B-2556-280-000	. . . Spring,	1	*33	B-1506-280-0A0	Work clamp foot lowering lever asm.	1
5	B-2036-372-000 Suspension	1	33a	B-1506-280-000	Work clamp foot lowering lever (A)	1
6	B-2539-280-000	. . . Stud	1	33b	B-1507-280-000	Work clamp foot lowering lever (B)	1
7	B-2540-280-0A0	. . . Link	2	33c	SS-7110910-TP	. . . Screw	2
8	SS-6110620-TP Screw	2	33d	WS-0451040-KP	. . . Spring washer	2
9	B-2544-280-000	Washer, for work clamp foot hook	2	34	B-1503-280-000	Work clamp foot lowering link	1
10	B-2542-280-000	Work clamp foot hook, right	1	35	SD-0640602-SP	. . . Screw	2
11	SD-0600452-TP	. . . Hinge screw	2	36	B-1504-280-000	. . . Collar	1
12	B-2547-280-000	Work clamp foot face plate	1	37	B-1502-280-000	Work clamp foot lowering plate driving arm	2
13	SS-7120910-SP	. . . Screw	4	38	B-1505-280-000	. . . Stud	2
14	B-2551-280-000	Work clamp foot, right	1	31	SS-6111110-SP Screw	2
15	B-2552-280-000	Work clamp foot, left	1	39	B-1501-280-000	Work clamp foot lowering plate	1
16	B-2546-280-000	Pressure spring suspension	1	40	SD-0790431-SP	. . . Hinge screw	2
17	B-2543-280-000	Work clamp foot hook, left	1	41	B-1508-280-000	Work clamp foot lowering fork	1
18	B-2536-280-000	Work clamp foot mounting base	1	42	SS-6110630-TP	. . . Screw	1
19	SS-9151630-CP	. . . Screw	1	43	B-1509-280-000	. . . Stud	1
20	WP-0621016-SD	. . . Washer	1	44	NS-6740510-SP Nut	1
21	B-2537-280-000	Work clamp foot lifting lever, large	1	45	SD-0720332-SP	Hinge screw, for lowering lever	1
22	SS-9660940-SP	. . . Screw	1	46	NS-6150310-SP	. . . Nut	1
23	B-2555-280-000	Work clamp foot lifting shaft	1	47	B-1515-280-0A0	Work clamp foot lowering slide plate	1
22A	SS-9660940-SP	. . . Screw	1				
24	B-2549-280-000	Ball, for work clamp foot mounting base	7	48	B-1510-280-000	. . . Slide block	1
25	B-2548-280-000	. . . Retainer	1	49	B-2404-280-000	. . . Roller	1
26	SS-7120910-SP	. . . Screw	1	50	B-1516-280-000	Teethed washer	1
27	B-2550-280-000	. . . Support plate	1				
28	SS-1110840-SP Screw	4				

9. PEDAL PRESSURE DECREASING UNIT COMPONENTS



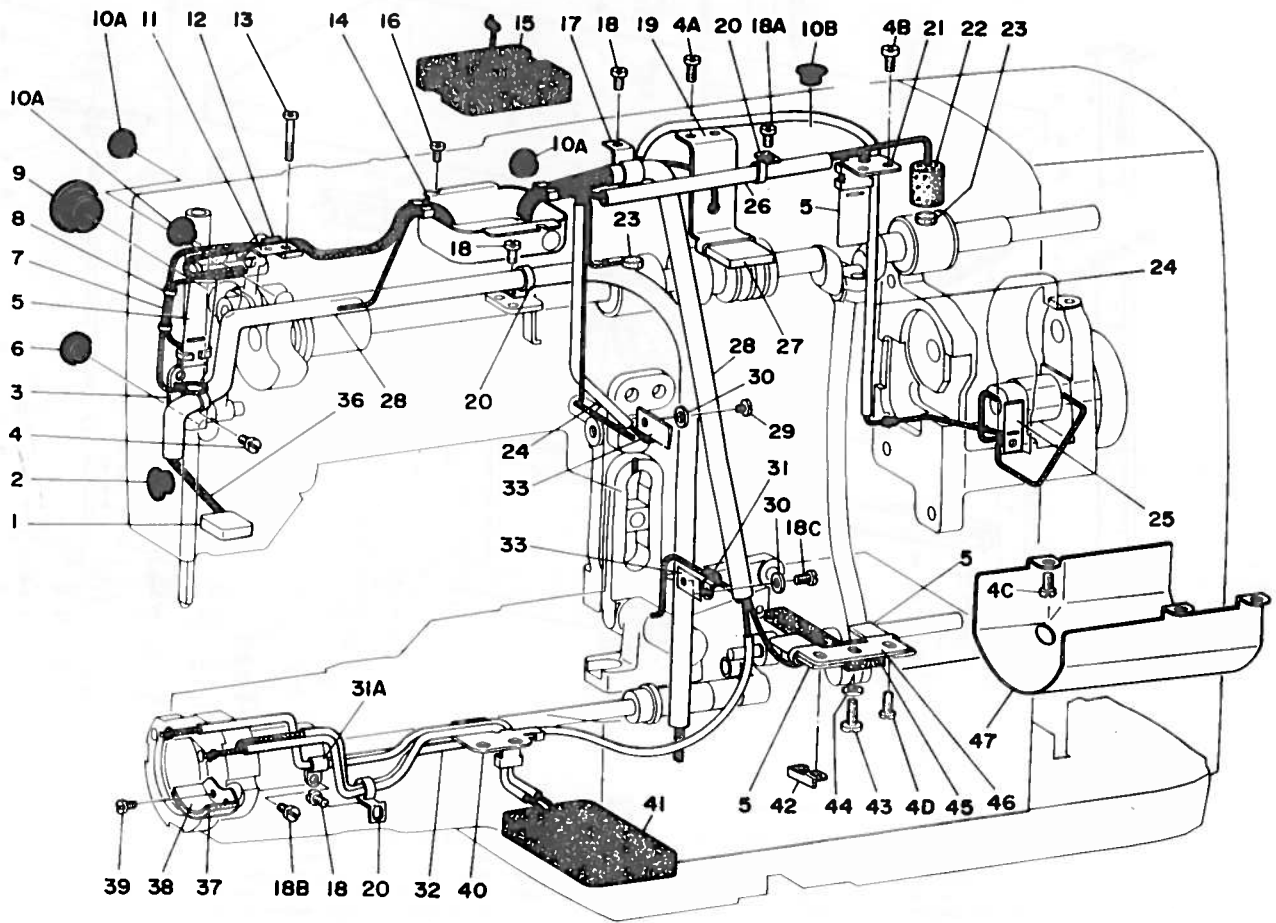
Ref. No.	Part No.	Description	Amt. Req.	Ref. No.	Part No.	Description	Amt. Req.
1	B-3001-280-OA0	Pedal pressure decreasing unit	(1)	26	SS-6090640-SP	Screw, for work clamp lifting spring	1
1A	B-3006-280-000	Cover, for gear	1	27	B-3004-280-OA0	Pressure decreasing gear, large	1
2	SS-7110510-SP	. . . Screw	2	28	B-3016-280-000	Thrust collar, for shaft	1
3	B-3031-280-000	Safety adjusting plate	1	29	SS-8110510-SP	. . . Screw	1
4	SS-6111010-TP	. . . Screw	2	30	PT-0402200-C0	. . . Pin	1
5	WP-0450801-SD	. . . Washer	2	31	B-3028-280-000	Reverse rotation preventing latch	1
6	B-3027-280-000	Spring, for work clamp lifting lever	1	32	SD-0600321-SP	. . . Hinge screw	1
7	B-3026-280-000	. . . Pin	1	33	B-1110-280-000	Spring suspension	1
8	B-3023-280-000	Pin, for stopper	2	34	B-3029-280-000	Spring, for reverse rotation preventing latch	1
9	B-3019-280-OA0	Work clamp lifting lever	1	35	B-3002-280-000	Driving pulley	1
10	SD-0790361-SP	. . . Screw	1	36	SS-8151230-SP	. . . Screw	2
11	B-3024-280-000	Stopper, for guide plate	1	37	B-3003-280-000	Pressure decreasing gear, small	1
13	B-3020-280-000	Stopper	1	38	SS-8660810-TP	. . . Screw (A)	1
12	B-3021-280-000	. . . Rubber ring	2	39	B-3007-280-000	. . . Shaft	1
14	B-3025-280-OA0	Lifting lever guide plate	1	40	SS-7150740-SP	Grease sealing screw	1
15	SD-0800271-SP	. . . Screw	1	41	B-3001-280-000	Pressure decreasing unit frame	1
16	B-3010-280-000A	Pressure decreasing clutch	1	42	SS-9152130-CP	. . . Screw	3
17	PT-0402200-SH	. . . Pin	1	43	B-3015-280-000	Pressure decreasing shaft	1
18	SS-8110510-SP	. . . Screw	1	44	SS-8660610-TP	Screw (B), for small gear	1
19	B-3009-280-000	. . . Spring	1	45	B-3034-280-000	Bushing, for pressure decreasing shaft	1
20	B-3014-280-000	Thrust collar, for sleeve	1	46	B3038-280-000	Work clamp lifting stopper plate	1
21	SS-6121212-TP	. . . Screw	1	47	SS-7111120-SP	. . . Screw	2
22	B-3013-280-000	Inner sleeve	1	48	WP-0480856-SP	. . . Washer	2
23	B-3011-280-000	Outer sleeve	1	49	SS-8151150-SP	Work clamp lifting stopper screw	1
24	B-3012-280-000	. . . Pin	2	50	NS-6150320-SP	. . . Nut	1
25	B-3008-280-000	Thrust washer	1				

10. STOP-MOTION MECHANISM COMPONENTS



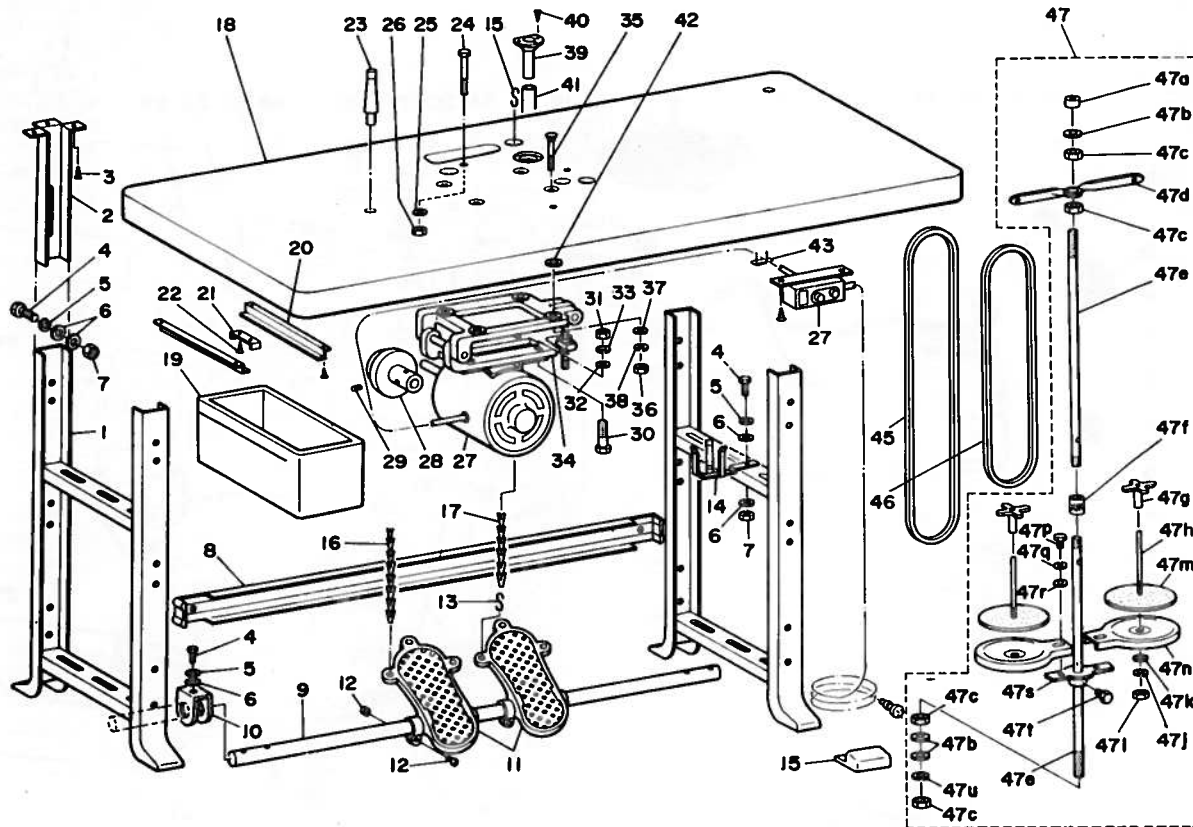
Ref. No.	Part No.	Description	Amt. Req.	Ref. No.	Part No.	Description	Amt. Req.
1	B-2612-280-000	Stop-motion regulating cam	1	24	B-3032-280-000	Stopper pin	1
2	B-2613-280-000	Roller	1	25	SS-6110610-TP	End screw	1
3	B-2614-280-000	Shaft	1	26	B-1217-280-000	Spring	1
4	B-2615-280-000	Stop ring	1	27	B-2605-280-0A0	Stop-motion lever driving lever asm.	1
5	SS-9151120-CP	Screw	3	50	B-2624-280-000	Pin	1
6	WP-0621016-SD	Washer	3	28	SD-0640324-TP	Hinge screw	1
7	B-3520-280-000	Oil felt	1	29	B-2606-280-000	Pressure spring, for stop link rod	1
8	SS-6090630-SP	Screw	1	30	B-2607-280-000	Washer	2
9	NS-6150310-SP	Roller shaft set nut	1	31	B-2608-280-000	Rubber cushion, for stop link rod	3
10	WP-0621016-SD	Washer	1	32	B-2604-280-000A	Stop link rod	1
13	B-2619-280-000	Starting lever	1	33	B-2603-280-000A	Latch	1
11	B-2616-280-0A0	Stop-motion regulating lever complete	1	34	B-2609-280-000	Slide block	2
12	B-2618-280-000	Stud	1	35	SD-0640323-TP	Hinge screw	1
14	B-2621-280-000	Stopper, for starting lever	1	36	B-2611-280-000	Driving pulley pressing plate	1
5A	SS-9151120-CP	Screw	2	37	SS-6151440-SP	Adjusting screw	1
6A	WP-0621016-SD	Washer	2	38	NS-6150540-SP	Nut	1
15	SS-7151330-SP	Screw, for regulating lever	1	39	SS-9151440-CP	Screw	1
16	WP-0612056-SD	Washer	1	40	WP-0621016-SD	Washer	1
17	SD-0790511-SP	Hinge screw, for starting lever	1	41	SS-7151330-SP	Screw, for stop-motion lever	1
18	B-2620-280-000	Stop-motion connecting lever	1	42	WP-0612056-SD	Washer	1
19	SD-0720331-SP	Hinge screw	2	43	B-2622-280-000A	Spring, for stop-motion lever driving plate	1
20	B-2602-280-000	Stop-motion lever installing shaft	1	44	WP-0612056-SD	Washer, for rubber cushion	1
21	B-2610-280-000	Stop-motion lever tension spring	1	45	NS-6150440-SP	Pressure spring adjusting nut, large	1
22	B-3030-280-000A	Safety plate	1	9A	NS-6150310-SP	Pressure spring adjusting nut, small	1
23	SS-6111440-SP	Screw	1	46	B-2601-280-0A0A	Stop-motion lever	1
48A	B-3035-280-000	Slide block	1	47	WP-0751576-SD	Washer, for rubber cushion	1
49	B-3036-280-000	Latch	1	48	WS-0641560-KR	Spring washer, for stop-motion lever	1
52	SS-6111010-TP	Screw	2				

11. OIL LUBRICATION MECHANISM COMPONENTS



Ref. No.	Part No.	Description	Amt. Req.	Ref. No.	Part No.	Description	Amt. Req.
1	B-3507-280-000	Oil felt	1	25	B-3521-280-000	Oil sponge, for gear	1
2	B-1179-552-000	Face plate rubber plug	1	26	BP-6000000-00	Vinyl tube, 6 φ	1
3	B-3506-280-000	Oil wick holder, for needle bar crank	1	27	B-3213-232-000	Oil felt, for worm	1
4	SS-7110710-SP	. . . Screw	2	28	BP-8000000-00	Vinyl tube, 8 φ	1
5	B-3509-280-000	Oil sponge	4	29	SS-7090320-SP	Oil sponge set screw	1
6	B-1159-581-000	Rubber plug, large	1	30	WP-0480856-SP	. . . Washer, small	2
7	CQ-2520000-00	Oil wick	1	31	B-3538-112-000	Oil wick presser plate	1
8	B-1419-026-000	. . . Holder	3	18C	SS-7110710-SP	. . . Screw	1
9	B-1165-415-000	Rubber plug, for counterweight set screw	1	33	B-3517-280-000	Oil sponge, for feed driving arm	2
10A	B-1187-552-000	Rubber plug, medium	3	36	B-3541-012-000	Oil return felt	1
10B	B-1187-552-000	Rubber plug, for top cover	1	37	B-3504-280-000	Oil felt, for shuttle race	1
11	B-3518-280-000	Oil sponge, for take-up lever	1	38	B-3505-280-000	. . . Presser plate	1
12	B-3508-280-000	. . . Holder	1	39	SS-6090510-TP Screw	2
13	SS-6092120-SP Screw	1	31A	B-3523-280-000	Oil wick holder	1
14	B-3501-280-000	Oil tank	1	18B	SS-7110710-SP	. . . Screw	1
15	B-3502-280-000	. . . Felt	1	40	B-3522-280-000	Oil wick holder	1
16	SS-7090520-SP	. . . Screw	2	41	B-3503-280-000	Oil drip felt	1
17	B-3523-280-000	Oil tube holder	1	42	B-3539-112-000	Oil wick holder	1
18	SS-7110710-SP	. . . Screw	1	43	SS-6111140-SP	Oil felt set screw	1
19	B-3510-280-000	Oil felt installing plate, for worm	1	44	WP-0520656-SA	Oil sponge set washer	1
4A	SS-7110710-SP	. . . Screw	2	45	B-3515-280-000	Oil wick supporting felt	1
20	B-3523-280-000	Oil tube holder	3	46	B-3513-280-000	Oil felt supporting plate	1
18A	SS-7110710-SP	. . . Screw	3	4D	SS-7110710-SP	. . . Screw	2
21	B-3512-280-000	Oil felt installing plate	1	47	B-3524-280-000	Oil guard	1
4B	SS-7110710-SP	. . . Screw	2	4C	SS-7110710-SP	. . . Screw	1
22	B-3519-280-000	Oil felt, for main shaft rear bushing	1				
23	B-3511-280-000	Oil felt, for main shaft bushing	2				
24	BP-3000000-00	Vinyl tube 3 φ	1				

12. TABLE COMPONENTS

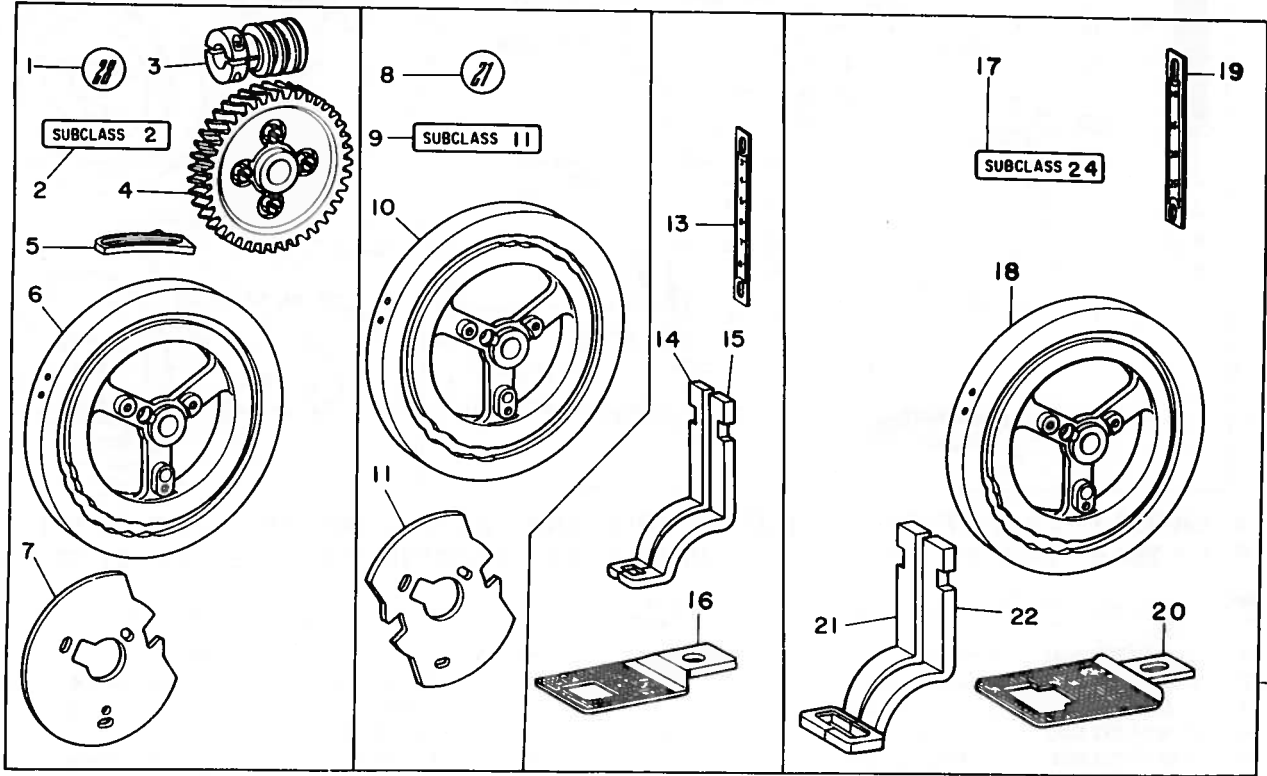


Ref. No.	Part No.	Description	Amt. Req.	Ref. No.	Part No.	Description	Amt. Req.
*	B-8101-232-080	Table leg asm. (No. 1-15)	1	(31)	NM-6060001-SE	... Nut	(3)
1	B-8101-012-0A0	Table legs	(2)	(32)	WP-0611616-SC	... Washer	(4)
2	B-8120-012-000	Height adjusting extension	(6)	(33)	WS-0621210-KR	... Spring washer	(6)
3	SK-1483200-SE	... Screw	(12)	(34)	B-7101-761-8A0	Motor installing base asm.	1
4	SM-9082023-SE	... Clamp screw	(13)		MTJ-MS00000S	Motor installing base set bolt asm.	4
5	WS-0861410-KR	... Spring washer	(15)	35	MTJ-MS000000	Motor installing base set bolt	(6)
6	WP-0871802-SE	... Washer	(2)	36	NS-6200710-SN	... Nut	(4)
7	NM-6080721-SE	... Nut	(1)	37	WP-0850002-SC	... Washer	(4)
8	B-8122-012-000	Leg side support	(2)	38	WS-0902010-KN	... Spring washer	(4)
9	B-8123-012-000	Leg bottom support	(1)	39	B-8236-771-000	Oil drain funnel	1
10	B-8124-012-000	... Bracket	(2)	40	SK-1211000-SC	... Screw	3
11	B-8101-232-000	Pedal	(2)	41	B-9103-771-000	Oil drain tube	1
12	B-8102-232-0A0	... Thrust collar	(2)	42	MTJ-MGC00000	Motor rubber cushion	4
13	B-8133-019-000	S-shaped hook	(4)	43	B-7108-012-000	Staple	5
14	B-8126-012-0A0	Oil holder	(1)	45	MTJ-VM004700	V-belt, for driving 2,000 s.p.m. (50 Hz)	1
15	B-8140-012-000	Rubber cushion	(4)		MTJ-VM004600	V-belt, for driving 1,700 s.p.m. (50 Hz)	1
16	B-8103-232-000	Chain A (accessory part for head)	(1)		MTJ-VM004500	V-belt, for driving 1,400 s.p.m. (50 Hz)	1
17	B-8131-019-000	Chain B (accessory part for head)	(1)		MTJ-VM004700	V-belt, for driving 2,000, 1,700 s.p.m. (50 Hz)	1
*	B-8201-280-0A0	Table top asm. (No. 18-26)	1		MTJ-VM004400	V-belt, 1,400 s.p.m. (60 Hz)	1
18	B-8201-280-000	Table top	(1)	46	MTJ-VM003500	V-belt, for pressure decreasing 2,000 s.p.m. (50 Hz)	1
19	B-8203-012-000	Drawer	(1)		MTJ-VM003400	V-belt, for pressure decreasing 1,700 s.p.m. (50 Hz)	1
20	B-8204-012-0A0	... Support	(2)		MTJ-VM003400	V-belt, for pressure decreasing 1,400 s.p.m. (50 Hz)	1
21	B-8206-012-000	... Stopper	(1)		MTJ-VM003500	V-belt, for pressure decreasing 1,700 s.p.m. (60 Hz)	1
22	SK-3482500-SC	... Screw	(2)		MTJ-VM003500	V-belt, for pressure decreasing 2,000 s.p.m. (60 Hz)	1
23	B-8216-012-0A0	Head support	(1)				
*	BNE-GSET0001	Head base set bolt asm. (No. 24-26)	3	* 47	D-3301-555-8A0	Thread unwinder complete	1
24	SS-9156830-CP	Head base set bolt	(3)	47a	B-3311-704-000	Thread guide rod rubber cap	(1)
25	WP-0612056-SD	... Washer	(3)	47b	WP-1702600-S0	Thread guide position washer	(3)
26	NS-6150310-SP	... Nut	(3)	47c	NM-6180611-SE	Thread guide position nut	(4)
27	MTG-4200020S	Motor complete (with power source switch)	1	47d	D-3307-555-800	Thread	(1)
	MTJ4380020C	Completely enclosed motor (380V)	(1)	47e	B-3301-704-000	Thread guide rod	(2)
	MSH4220020S	Completely enclosed motor (220V)	(1)	47f	B-3305-704-000	... Set collar	(1)
28	B-7101-280-000	Motor pulley 2,000 s.p.m. (50 Hz)	1	47g	B-3312-012-000	Spool pin washer (rubber)	(2)
	B-7101-280-008	Motor pulley 1,700 s.p.m. (50 Hz)	1	47h	B-3306-012-000	Spool pin	(2)
	B-7101-280-00C	Motor pulley 1,400 s.p.m. (50 Hz)	1	47i	NS-6123881-SE	... Nut	(2)
	B-7102-280-000	Motor pulley 2,000 s.p.m. (60 Hz)	1	47j	WS-0521010-KN	... Spring washer	(2)
	B-7102-280-008	Motor pulley 1,700 s.p.m. (60 Hz)	1	47k	WP-0560860-SE	... Washer	(2)
	B-7102-280-00C	Motor pulley 1,400 s.p.m. (60 Hz)	1	47m	B-3311-012-000	Spool cap	(2)
29	SS-9151180-CP	... Screw	2	47n	B-3303-704-000	Spool rest	(2)
*	BNE-GSET0002	Motor set bolt asm.	4	47p	SM-9050813-SE	... Screw	(2)
30	SM-9083813-SN	Motor set bolt	(4)	47q	WS-0521010-KN	... Spring washer	(2)
31	NM-6080710-SN	... Nut	(4)	47r	WP-0520656-SA	... Washer	(2)
32	WP-0850002-SC	... Washer	(4)	47s	D-3302-555-800	... Bracket	(1)
33	WS-0802010-KN	... Spring washer	(4)	47t	SM-9061080-SE	... Screw	(1)
*	BNE-GSET0003	Completely enclosed motor set bolt asm.	(4)	47u	WS-1643202-KN	Thread guide rod set spring washer	(1)
(30)	SM-9063213-CN	Completely enclosed motor set bolt	(4)				

14. MODEL LK-282 · LK-284 SUBCLASS PARTS BOOK

CONTENTS

1. LK-282-2	16	6. LK-282-3	18
2. LK-284-11	16	7. LK-284-6	18
3. LK-284-24	16	8. LK-282-5	18
4. LK-282-1	17	9. LK-282-20	19
5. LK-284-4	17	10. LK-284-10	19



1. LK-282-2 SMALL SIZE BAR TACKING MACHINE, FOR 28 STITCHES

Ref. No.	Part No.	Description	Amt. Req.
1	B-1116-322-000	Stitch number plate, for 28 stitches	1
2	B-LKSUB000-02	Subclass number plate 2	1
3	D-2205-282-A00	Feed cam driving worm	1
4	D-2204-282-A00	Feed cam driving worm wheel	1
5	D-2304-282-A00	Tension release link tripping segment	1
6	D-2209-282-A00	Feed cam, (groove width 9.5 mm) (previous part)	(1)
	D-2209-282-A00A	Feed cam (groove width 11 mm) (new part)	1
7	D-2612-282-A00	Stop-motion regulating cam	1
13	D-2529-282-A00	Feed scale	1
14	D-2551-282-B00	Work clamp foot, right	1
15	D-2552-282-B00	Work clamp foot, left	1
16	D-2519-282-B00	Feed plate	1
○	All parts not mentioned above are same as those of Model LK-280.		

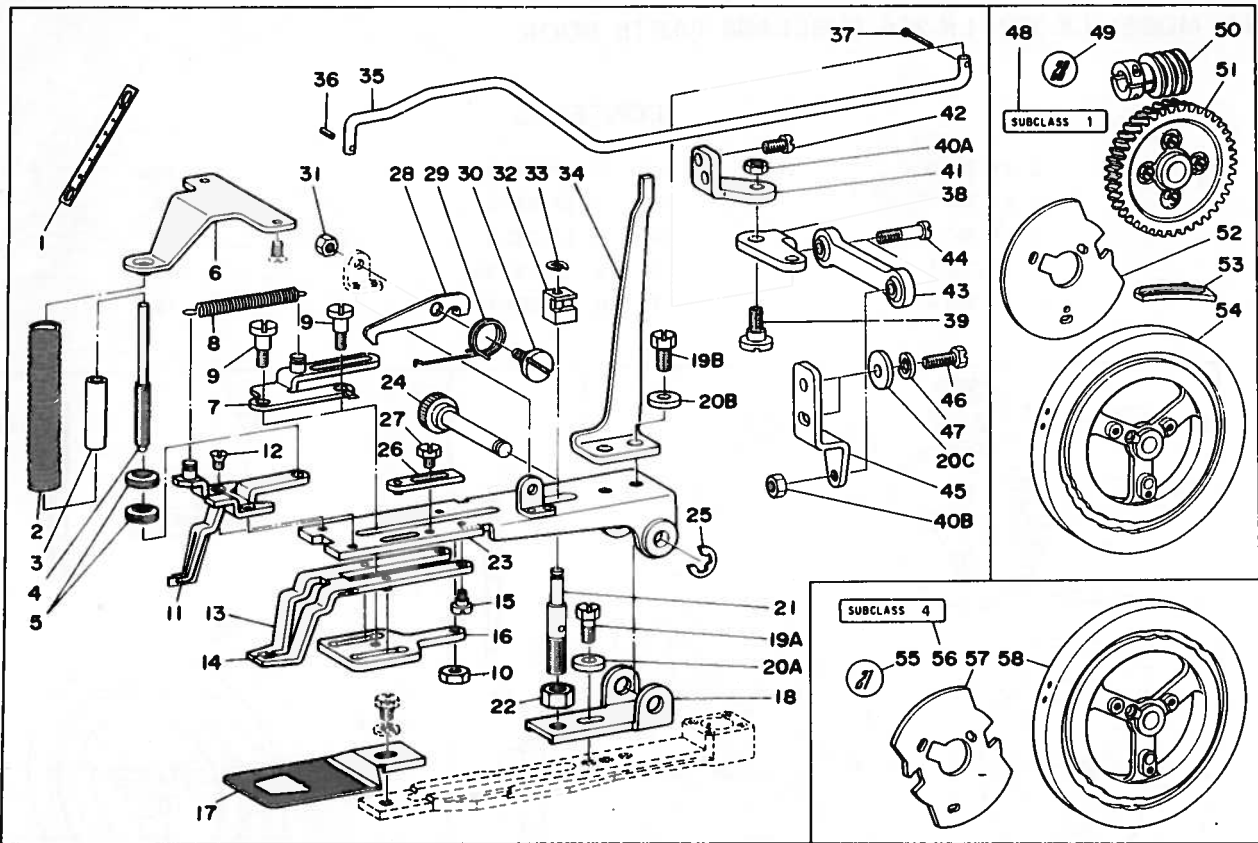
2. LK-284-11 SMALL SIZE BAR TACKING MACHINE, FOR 21 STITCHES

8	D-1116-232-B00	Stitch number plate, for 21 stitches	1
9	B-LKSUB000-11	Subclass number plate 11	1
10	D-2209-284-D00	Feed cam (groove width 9.5 mm) (previous part)	(1)
	D-2209-284-D00A	Feed cam (groove width 11 mm) (new part)	1
11	D-2612-284-D00	Stop-motion regulating cam	1

Ref. No.	Part No.	Description	Amt. Req.
13	D-2529-282-A00	Feed scale	1
14	D-2551-282-B00	Work clamp foot, right	1
15	D-2552-282-B00	Work clamp foot, left	1
16	D-2519-282-B00	Feed plate	1
○	All parts not mentioned above are same as those of Model LK-280.		

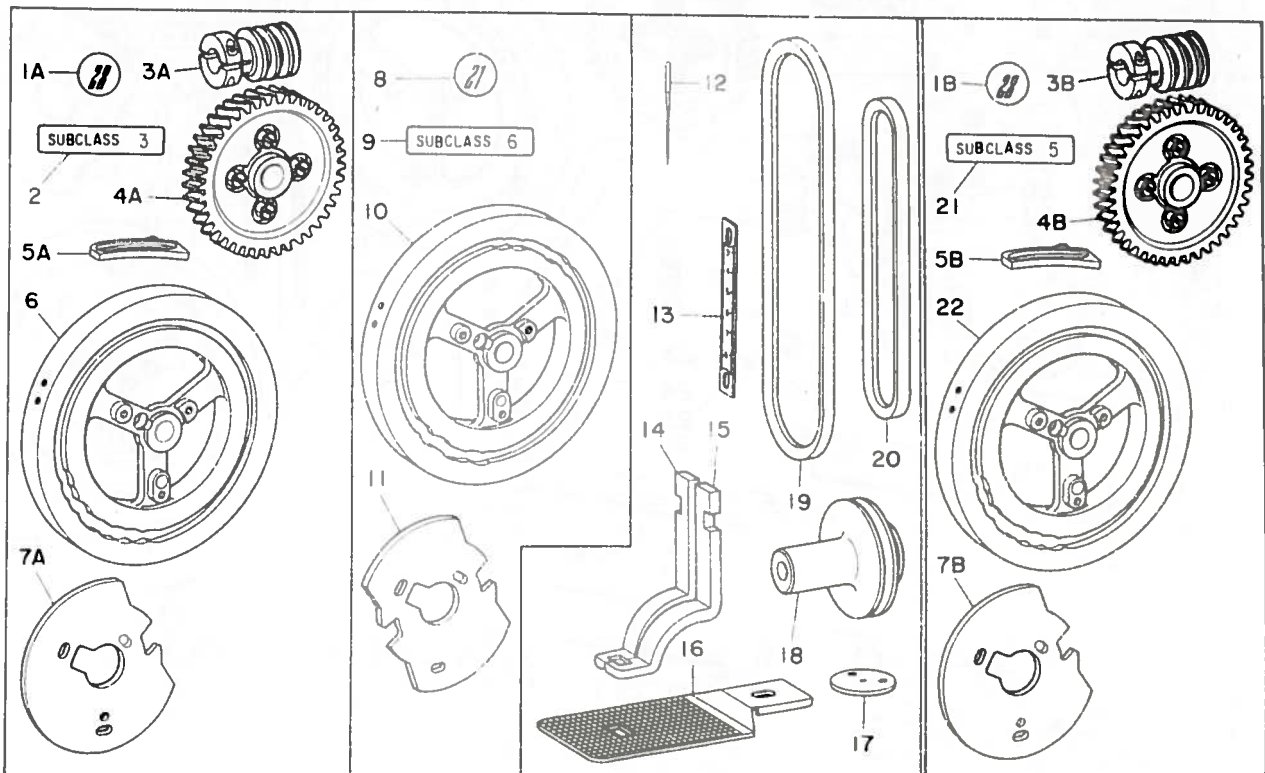
3. LK-284-24 LARGEST SIZE BAR TACKING MACHINE

17	B-LKSUB000-24	Subclass number plate 24	1
18	D-2209-284-Z00	Feed cam (groove width 9.5 mm) (previous part)	(1)
	D-2209-284-Z00A	Feed cam (groove width 11 mm) (new part)	1
19	D-2529-L2A-F00	Feed scale	1
20	D-2519-284-Z00	Feed plate	1
21	D-2551-284-Z00	Work clamp foot, right	1
22	D-2552-284-Z00	Work clamp foot, left	1
○	All parts not mentioned above are same as those of Model LK-280.		



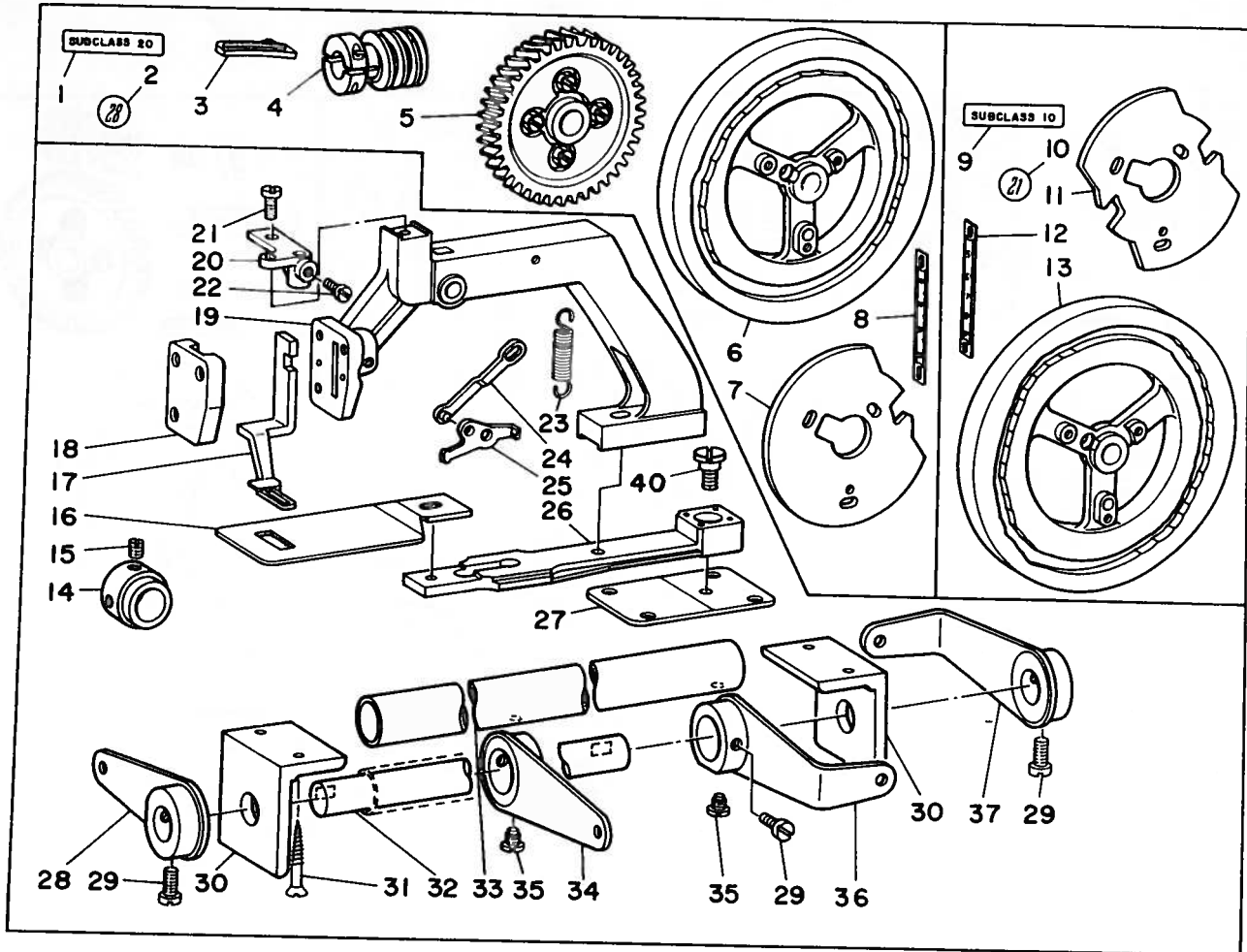
4. LK-282-1 TAIL OF EYELET BUTTONHOLE BAR TACKING MACHINE, FOR 28 STITCHES
5. LK-284-4 TAIL OF EYELET BUTTONHOLE BAR TACKING MACHINE, FOR 21 STITCHES

Ref. No.	Part No.	Description	Amt. Req.	Ref. No.	Part No.	Description	Amt. Req.
1	D-2529-282-A00	Feed scale	1	20B	WP-0612516-SD	Washer	2
2	D-2529-232-D00	Pressure spring	1	32	D-2507-282-A00	Work clamp foot connecting rod	1
3	D-2527-232-D00	Regulating shaft sleeve	1	36	PS-0200082-K0	Pin	1
4	D-2528-232-D00	Regulating shaft	1	37	PD-0201000-0B	Cotter pin	1
5	B-3117-352-000	Regulating nut	2	38	D-2511-282-A00	Work clamp foot connecting plate	1
6	D-2508-282-A00	Retaining plate	1	39	SD-0720331-SP	Hinge screw	1
7	D-2513-232-DA0	Work clamp foot bearing bracket guide asm.	1	40A	NS-6150310-SP	Nut	1
8	D-2515-232-D00	Torsion spring	1	41	D-2510-282-A00	Leg base	1
9	D-2546-232-D0A	Hinges screw	2	42	SS-7150940-SP	Screw	2
10	NS-6120480-SP	Nut	2	43	D-2509-282-A00	Work clamp foot ball link	1
11	D-2505-282-AA0	Work clamp foot guide jaw	1	44	D-2512-282-A00	Shaft	2
12	SS-1110640-SP	Screw	1	40B	NS-6150310-SP	Nut	2
13	D-2520-232-DA0	Work clamp foot, left	1	45	D-2508-282-A00	Stop-motion lever connecting plate	1
14	D-2521-232-DA0	Work clamp foot, right	1	46	SS-9151540-SP	Screw	2
15	SD-0650271-TP	Hinge screw	2	47	WS-0651510-KP	Spring washer	2
16	D-2519-232-D00	Work clamp foot plate cam	1	20C	WP-0612516-SD	Washer	2
17	D-2519-282-A00	Feed plate	1				
18	D-2501-282-A00	Work clamp foot bearing bracket base	1	LK-282-1 Exclusive parts			
19A	SS-9151120-CP	Screw	1	48	B-LKSUB000-01	Subclass number plate 1	1
20A	WP-0612516-SD	Washer	1	49	B-1116-322-000	Stitch number plate, for 28 stitches	1
21	D-2502-282-A00	Stationing block shaft	1	50	D-2205-282-A00	Feed cam driving worm	1
22	NS-6200710-SP	Nut	1	51	D-2204-282-A00	Feed cam driving worm wheel	1
23	D-2504-282-AA0	Work clamp foot bearing bracket asm.	1	52	D-2612-282-A00	Stop-motion regulating cam	1
24	D-2502-232-D00	Shaft block shaft	1	53	D-2304-282-A00	Tension release link tripping segment	1
25	RE-0700000-K0	Snap ring	1	54	D-2209-282-A00	Feed cam (groove width 9.5 mm) (previous part)	(1)
26	D-2516-232-DA0	Work clamp foot regulator asm.	1		D-2209-282-A00A	Feed cam (groove width 11 mm) (new part)	1
27	SS-9110543-CP	Screw	1	LK-284-4 Exclusive parts			
28	D-2509-232-D00	Work clamp foot drive lever stationing latch	1	55	D-1116-232-B00	Stitch number plate, for 21 stitches	1
29	D-2512-232-D00	Torsion spring	1	56	B-LKSUB000-04	Subclass number plate 4	1
30	D-2511-232-D00	Screw	1	57	D-2612-284-D00	Stop-motion regulating cam	1
31	NS-6110530-SP	Nut	1	58	D-2209-284-D00	Feed cam (groove width 9.5 mm) (previous part)	(1)
32	D-2507-232-D00	Stationing block	1		D-2209-284-D00A	Feed cam (groove width 11 mm) (new part)	1
33	D-2548-232-D00	Snap ring, for connecting rod	1	All parts not mentioned above are same as those of Model LK-280.			
34	D-2503-282-A00	Work clamp foot lifting drive plate	1				
19B	SS-9151120-CP	Screw	2				



6. LK-282-3 KNIT GOODS BAR TACKING MACHINE, FOR 28 STITCHES
7. LK-284-6 KNIT GOODS BAR TACKING MACHINE, FOR 21 STITCHES

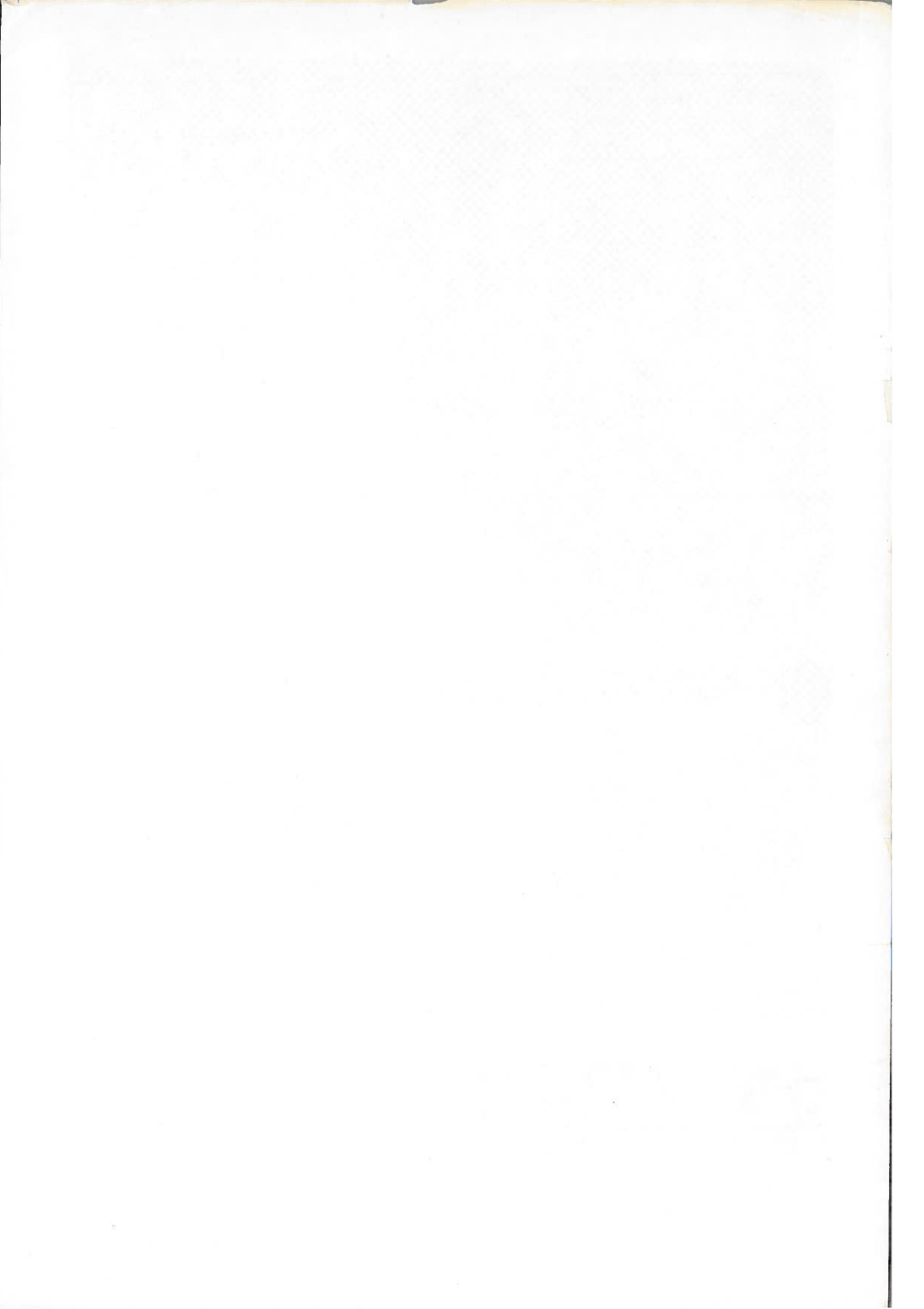
Ref. No.	Part No.	Description	Amt. Req.	Ref. No.	Part No.	Description	Amt. Req.
LK-282-3 Exclusive parts, for 28 stitches				8. LK-282-5 LARGE BARTACKING MACHINE			
1A	B-1116-322-000	Stitch number plate, for 28 stitches	1	1B	B-1116-322-000	Stitch number plate, for 28 stitches	1
2	B-LKSUB000-03	Subclass number plate 3	1	21	B-LKSUB000-05	Subclass number plate 5	1
3A	D-2205-282-A00	Feed cam driving worm	1	3B	D-2205-282-A00	Feed cam driving worm	1
4A	D-2204-282-A00	Feed cam driving worm wheel	1	4B	D-2204-282-A00	Feed cam driving worm wheel	1
5A	D-2304-282-A00	Tension release link tripping segment	1	5B	D-2304-282-A00	Tension release link tripping segment	1
6	D-2209-282-C00	Feed cam (groove width 9.5 mm) (previous part)	(1)	22	D-2209-282-E00	Feed cam (groove width 9.5 mm) (previous part)	(1)
	D-2209-282-C00A	Feed cam (groove width 11 mm) (new part)	1		D-2209-282-E00A	Feed cam (groove width 11 mm) (new part)	1
7A	D-2612-282-A00	Stop-motion regulating cam	1	7B	D-2612-282-A00	Stop-motion regulating cam	1
LK-284-6 Exclusive parts, for 21 stitches				○ All parts not mentioned above are same as those of Model LK-280.			
8	D-1116-232-B00	Stitch number plate, for 21 stitches	1				
9	B-LKSUB000-06	Subclass number plate 6	1				
10	D-2209-284-F00	Feed cam (groove width 9.5 mm) (previous part)	(1)				
	D-2209-284-F00A	Feed cam (groove width 11 mm) (new part)	1				
11	D-2612-284-D00	Stop-motion regulating cam	1				
Common parts, for knit goods bar tacking machine							
12	M-DP500-B1104	Needle DPx5 #11	1				
13	D-2529-282-A00	Feed scale					
				14	D-2552-284-C00	Work clamp foot, left	1
				15	D-2551-282-C00	Work clamp foot, right	1
				16	D-2519-282-C00	Feed plate	1
				17	D-2426-282-C00	Needle plate needle hole guide	1
				18	B-7101-280-00B	Motor pulley 1,700 s.p.m. (50 HZ)	1
					B-7102-280-00B	Motor pulley 1,700 s.p.m. (60 HZ)	1
				19	MTJ-VM004600	V-belt, for driving 1,700 s.p.m. (50 HZ)	1
					MTJ-VM004500	V-belt, for driving 1,700 s.p.m. (60 HZ)	1
				20	MTJ-VM003400	V-belt, for driving 1,700 s.p.m. (50 HZ, 60 HZ)	1



9. LK-282-20 BAND LOOP BAR TACKING MACHINE FOR 28 STITCHES
10. LK-284-10 BAND LOOP BAR TACKING MACHINE FOR 21 STITCHES

Ref. No.	Part No.	Description	Amt. Req.	Ref. No.	Part No.	Description	Amt. Req.
LK-282-20 Exclusive parts				LK-284-10 Exclusive parts			
1	B-LKSUB000-20	Subclass number plate 20	1	9	B-LKSUB000-10	Subclass number plate 10	1
2	B-1116-322-000	Stitch number plate, for 28 stitches	1	10	B-1116-322-000	Stitch number plate, for 21 stitches	1
3	D-2304-282-A00	Tension release link tripping segment	1	11	D-2612-284-D00	Stop-motion regulating cam	1
4	D-2205-282-A00	Feed cam driving worm	1	12	D-2529-284-K00	Feed scale	1
5	D-2204-282-A00	Feed cam driving worm wheel	1	13	D-2209-284-K00	Feed cam (groove width 9.5 mm) (previous part)	(1)
6	D-2209-282-V00	Feed cam (groove width 9.5 mm) (previous part)	(1)		D-2209-284-K00A	Feed cam (groove width 11 mm) (new part)	1
	D-2209-282-V00A	Feed cam (groove width 11 mm) (new part)	1				
7	D-2612-282-A00	Stop-motion regulating cam	1	16	D-2519-284-K00	Feed plate	1
8	D-2529-284-K00	Feed scale	1	17	D-2551-284-K00	Work clamp foot	1
				18	D-2547-284-K00	Work clamp foot face plate	1
				19	D-2536-284-K00	Work clamp foot mounting base	1
				20	D-2546-284-K00	Pressure spring suspension	1
				21	SS-7151210-SP	. . . Screw	1
				22	SS-7110740-TP	Screw, for ball retainer	1
				23	D-2545-284-K00	Pressure spring	1
				24	D-2540-284-K00	Work clamp foot lifting link	1
				25	D-2543-284-K00	Work clamp foot hook, left	1
				26	D-2518-284-K00	Feed plate carrier bar	1
				40	SD-0790402-TP	. . . Hinge screw	1
				27	D-2515-284-K00	. . . Guide plate	1
				28	D-3407-284-KAB	Pressure decreasing pedal lever (small) asm.	1
				29	SS-6661110-SP	Screw, for pedal lever	6
				30	D-3403-284-K00	Pedal connecting rod bracket	2
				31	SK-1413200-SC	. . . Screw	4
				32	D-3401-284-K00	Pressure decreasing pedal connecting rod	1
				33	D-3402-284-KA0	Starting pedal pipe asm.	1
				34	D-3407-284-KAA	Starting pedal lever (small) asm.	1
				35	D-3408-284-K00	Screw, B, for starting pedal	2
				36	D-3406-284-KAA	Starting pedal lever (large) asm.	2
				37	D-3406-284-KAB	Pressure decreasing pedal lever (large) asm.	1
LK-282-20-LK-284-10 Common parts					D-8201-284-K00	Table, for band loop bar tacking machine	(1)
14	D-2560-284-K00	Feed rod thrust collar	1				
15	SS-8150710-TP	. . . Screw	2				

○ All parts not mentioned above are same as those of Model LK-280.





68716

17854

3012

JUKI®

TOKYO JUKI INDUSTRIAL CO., LTD.

Business Office : Kabuki-cho, Shinjuku-ku, Tokyo, Japan

Cable Address : JUKI TOKYO

Telex : 22967 JUKITK

Telephone : Tokyo 203-8241