

MODEL : LK-1900B Series

List No : 1653-04

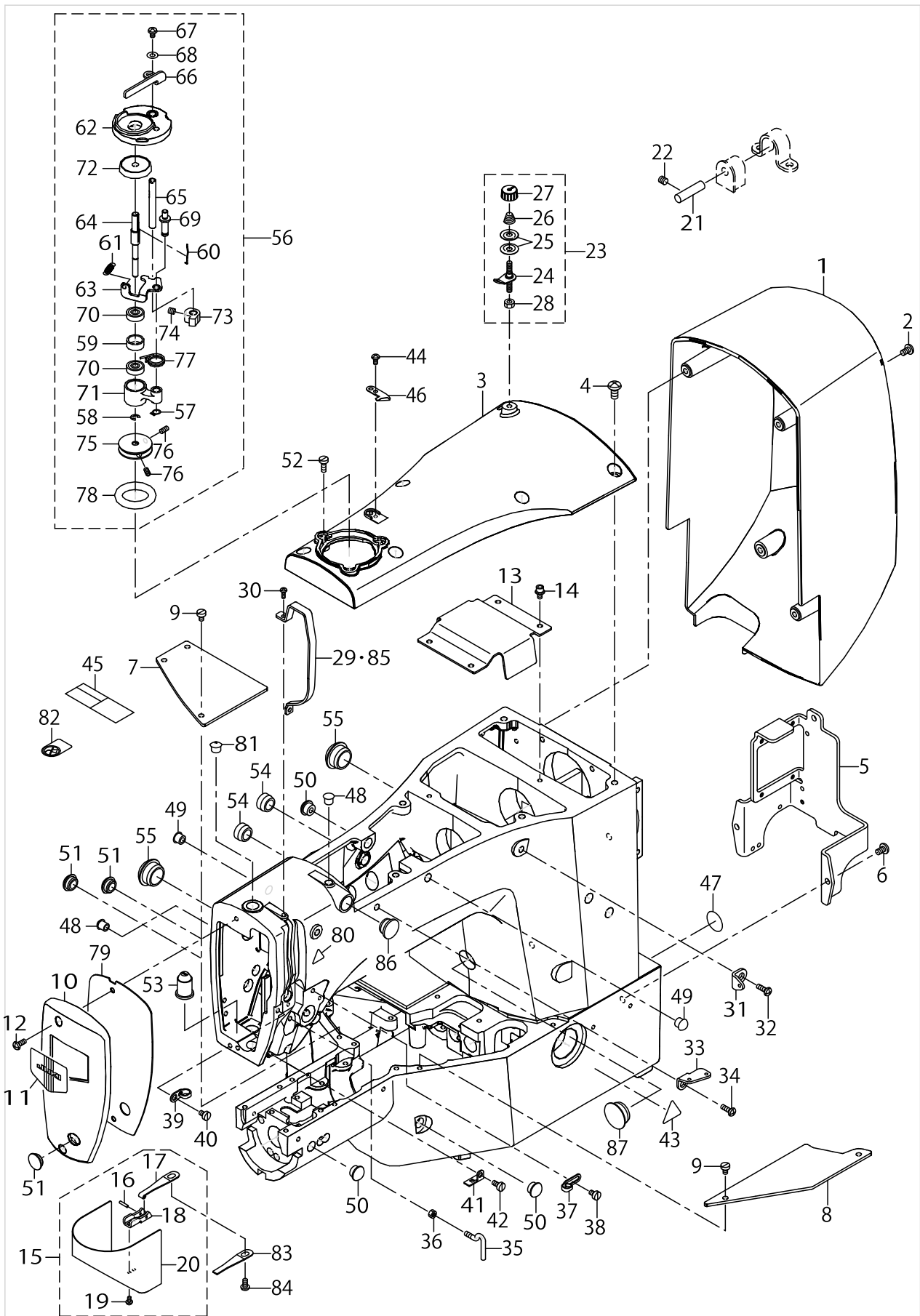
PARTS LIST

Published:05/12/2017

CONTENTS

FRAME & MISCELLANEOUS COVER COMPONENTS	1
MAIN SHAFT & NEEDLE BAR COMPONENTS	5
PRESSER LIFTER & WIPER COMPONENTS	9
SHUTTLE DRIVER SHAFT COMPONENTS.....	13
THREAD TENSION COMPONENTS	17
THREAD TRIMMER MECHANISM COMPONENTS.....	21
FEED MECHANISM COMPONENTS.....	25
TC CLAMP COMPONENTS	29
SENSOR COMPONENTS	31
THREAD STAND COMPONENTS.....	33
TABLE STAND COMPONENTS (JT-K46).....	35
CONTROL BOX COMPONENTS	37
OPERATION PANEL COMPONENTS	41
WIRING DIAGRAM.....	43
ACCESSORIE PARTS COMPONENTS.....	47
EXCLUSIVE PARTS FOR LK-1901BS (1)	49
EXCLUSIVE PARTS FOR LK-1901BS (2)	53
EXCLUSIVE PARTS FOR LK-1902BS,LK-1902BH.....	57
EXCLUSIVE PARTS FOR LK-1903BS-301,LK-1903BS-302(1).....	61
EXCLUSIVE PARTS FOR LK-1903BS-301,LK-1903BS-302(2).....	65
EXCLUSIVE PARTS FOR LK-1903B-BS-301,LK-1900B-BS,LK-1900B-BF(1)	69
EXCLUSIVE PARTS FOR LK-1903B-BS-301,LK-1900B-BS,LK-1900B-BF(2)	73
EXCLUSIVE PARTS FOR LK-1903B-BS-301,LK-1900B-BS,LK-1900B-BF(3)	77
EXCLUSIVE PARTS FOR LK-1903B-BS-301,LK-1900B-BS,LK-1900B-BF(4)	81
AIR COMPONENTS	83
ACCESSORIE PARTS FOR LK-1900B SUBCLASSES.....	85
OPTION COMPONENTS (1)	89
OPTION COMPONENTS (2) (FOR LK-1902B,LK-1903B).....	95
OPTION COMPONENTS (3) (FOR LK-1903B SHANK BUTTON).....	97
LIST FOR INFORMATION OF CHANGE (1).....	101
LIST FOR INFORMATION OF CHANGE (2).....	102
HOW TO MAKE USE OF THIS PARTS LIST	103

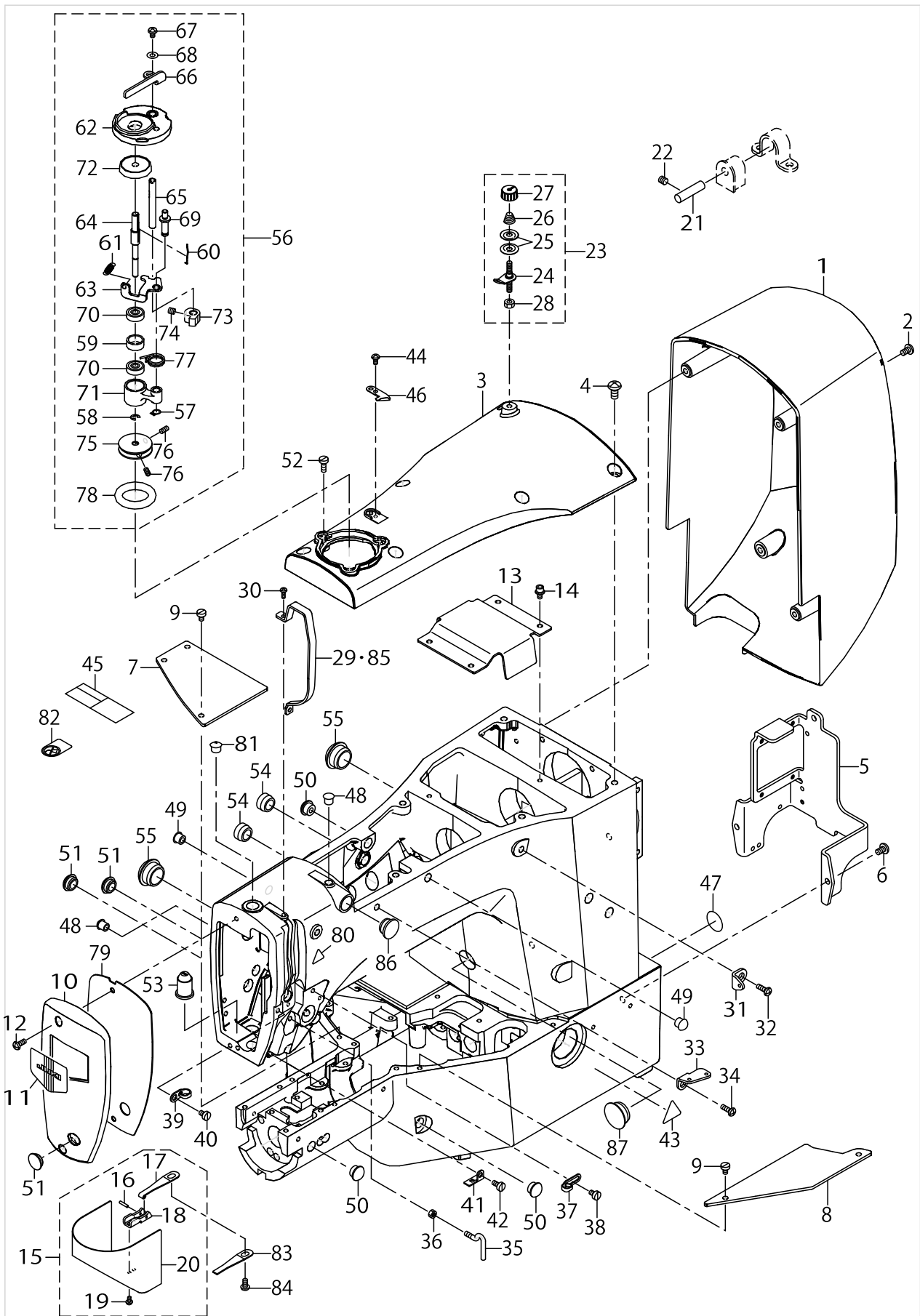
FRAME & MISCELLANEOUS COVER COMPONENTS



FRAME & MISCELLANEOUS COVER COMPONENTS

No.	Supply Code	Parts No.	Replacement	Parts name	Remarks	Choice	Step	Level	Cons	Qty	Rep. QTY
1		40006475		MOTOR COVER						1	
2		SM5040855SN		SCREW						4	
3		40006478		UPSIDE COVER						1	
4		SM4061255SP		SCREW M6 L=12						6	
5		40010404		PROTECTION_PLATE						1	
6		SM4050855SP		SCREW						3	
7		40006487		BED COVER LEFT						1	
8		40006488		BED COVER RIGHT						1	
9		SM6040650TP		SCREW M4 L=6						5	
10		40006481		FACE COVER						1	
11		22902506		FACE PLATE						1	
12		SM4041055SP		SCREW						2	
13		40010405		CRANK_ROD_COVER						1	
14		SL6040892TN		BOLT						2	
15		40142674		CYLINDER_ARM_CAP_ASM.						1	
16		13508700		HOOK COVER PRESSER SPRING PIN				*		1	
17		26221101		HOOK COVER PRESSER SPRING A				*		1	
18	R	40142677	40142674	CYLINDER ARM CAP PLATE		A		*		1	1.00
18	R	40142677	40146832	CYLINDER ARM CAP PLATE		B	LK1903B-- BS-301専用/Only L- K1903B-BS-301	*		1	1.00
19		SM3030552TN		SCREW M3 L=5				*		2	
20		40142675		CYLINDER ARM CAP				*		1	
21		40009290		HINGE STUD						2	
22		SM8060612TP		SCREW M6 L=6						4	
23		14113468		BOBBIN THREAD TENSION ASM.						1	
24		14113450		BOBBIN THREAD TENSION ROD ASM.				*		1	
25	R	B3126012000	22921506	THREAD TENSION DISK				*		2	1.00
26		D7133555B00		CONNECTING ROD SPRING				*		1	
27		11072402		THREAD TENSION NUT				*		1	
28		NS6110310SP		NUT 11/64-40				*		1	
29		40030828		THREAD_TAKE_UP_LEVER_COVER	EXCEPT LK-1903B					1	
30		SM4030855SN		SCREW M3 L=8.0						2	
31		40010414		THREAD_GUIDE_NO.1						1	
32		SM4061255SP		SCREW M6 L=12						1	
33		26211904		THREAD GUIDE PLATE						1	
34		SM4061255SP		SCREW M6 L=12						1	
35		40010571		L_SHAPED_THREAD_GUIDE_A						1	
36		NM6040000SN		NUT M4						1	
37		22920508		ARMTHREADGUIDEA						1	
38		SM6040650TP		SCREW M4 L=6						1	
39		13705108		TAKE-UP THREAD GUIDE B						1	
40		SM6040650TP		SCREW						1	
41		B1129210000		FRAME THREAD GUIDE (B)						1	
42		SM6040860TP		SCREW M4 L=8						1	
43		CM300200002		CAUTION LABEL(25)						1	

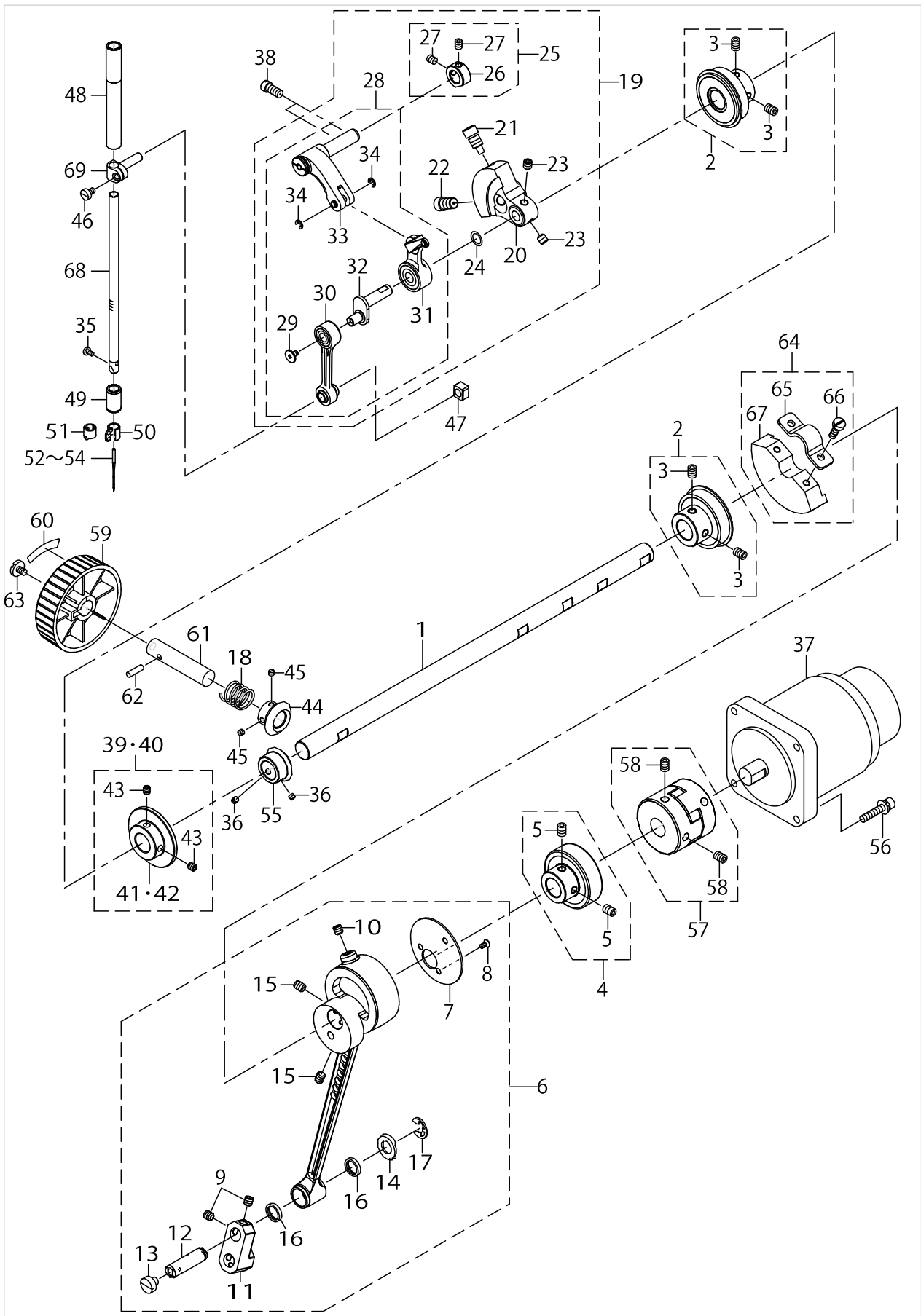
FRAME & MISCELLANEOUS COVER COMPONENTS



FRAME & MISCELLANEOUS COVER COMPONENTS

No.	Supply Code	Parts No.	Replacement	Parts name	Remarks	Choice	Step	Level	Cons	Qty	Rep. QTY
44		SM4030601SN		SCREW M3 L=6						1	
45		40102261		SAFETY_LABEL_S						1	
46		10502300		THREAD CUTTER						1	
47		22901805		GROUND MARK						1	
48		TA0750704R0		RUBBER PLUG						2	
49		TA0850604R0		RUBBER PLUG						2	
50		TA1050504R0		RUBBER PLUG						3	
51		TA1250406R0		RUBBER PLUG D=12.5 L=4						3	
52		SM6041150TP		SCREW M4 L=11						3	
53		13509807		OIL SHIELD CAP						1	
54		TA1550902R0		PLUG						2	
55		TA2100904R0		RUBBER PLUG						2	
56		40142740		BOBBIN_WINDER_UNIT						1	
57		RC0560711KP		RETAINING RING				*		1	
58		RE0400000K0		E-RING 4				*		1	
59	R	26260802	26260000	BTW BEARING SPACER				*		1	1.00
60		26261602		BOBBIN SPRING				*		1	
61		26261701		BTW SPRING				*		1	
62	R	26260109	26260000	BTW BASE				*		1	1.00
63		26260208		BTW CAM PLATE				*		1	
64		26260901		BTW SHAFT				*		1	
65		26261008		BTW LEVER SHAFT				*		1	
66		26261107		BTW LEVER				*		1	
67		SM5040655SN		SCREW				*		1	
68		WP0450826SC		WASHER 4.5X10X0.8				*		1	
69		26260307		BTW BASE SHAFT				*		1	
70	R	26261305	26260000	BTW BEARING				*		2	1.00
71	R	40142773	40142740	BTW_SHAFT_BASE				*		1	1.00
72		26261206		BTW SPACER				*		1	
73		26260505		BTW CAM LEVER				*		1	
74		SM8050502TP		SCREW M5 L=5				*		1	
75		26260604		BTW WHEEL				*		1	
76		SM8040802TP		SCREW M4X8				*		2	
77		26260703		BTW TORSION SPRING				*		1	
78		26261503		BTW WHEEL RUBBER				*	☆	1	
79		40142812		FACE_COVER_CUSHION						1	
80		CM300200001		ATTENTION SEAL						1	
81		22901409		NEEDLE BAR UPPER BUSH CAP						1	
82		CM100100001		OIL INJECTION PROHIBITION LABEL						1	
83		26221200		HOOK COVER PRESSER SPRING B					☆	1	
84		SM5040855SN		SCREW						1	
85		40144258		THREAD_TAKE_UP_LEVER_COVER	FOR LK-1903B					1	
86		TA1470704R0		RUBBER PLUG						1	
87		TA2100904R0		RUBBER PLUG	FOR LK-19-01B,LK-1903B					1	

MAIN SHAFT & NEEDLE BAR COMPONENTS



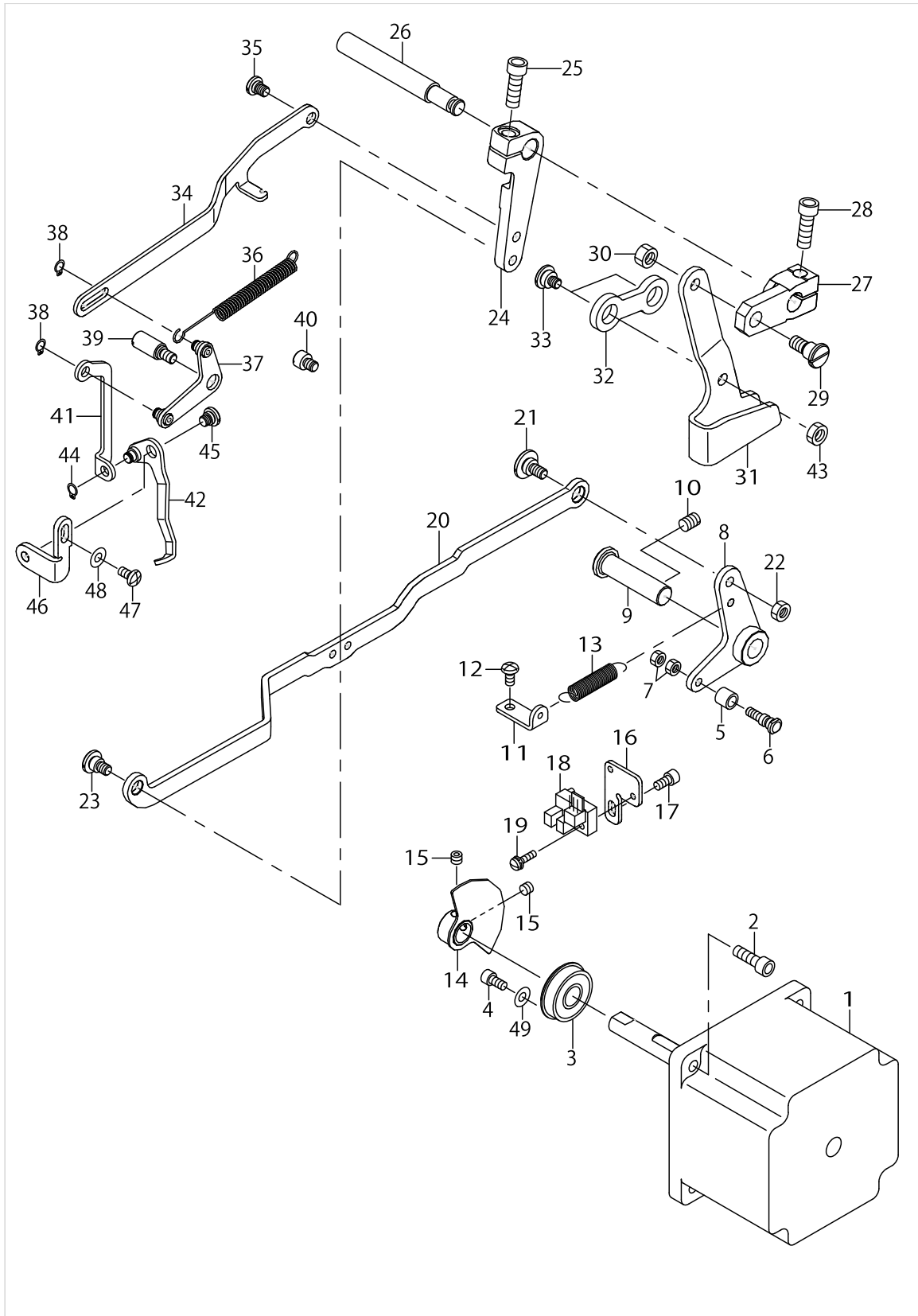
MAIN SHAFT & NEEDLE BAR COMPONENTS

No.	Supply Code	Parts No.	Replacement	Parts name	Remarks	Choice	Step	Level	Cons	Qty	Rep. QTY
1		40142678		MAIN_SHAFT						1	
2		40142685		FRONT_BEARING						2	
3		40010417		BEARING_BUSH_SCREW				*		4	
4		40142686		BACK_BEARING						1	
5		SM8480652TP		SCREW				*		2	
6		40112990		CRANK_ROD_ALL_ASM.						1	
7		40110825		CRANK_ROD_SUPPORT_PLATE				*		1	
8		SM1030601SP		SCREW M3 L=6				*		3	
9		SM8480652TP		SCREW				*		2	
10		SM8480652TP		SCREW				*		1	
11		40112993		OSCILLATOR_ARM				*		1	
12	R	40030939	40089367	OSCILLATOR_PIN				*		1	1.00
13		SM6060550TP		SCREW M6 L=4.5				*		1	
14		40026818		WASHER				*		1	
15		SM8060812TP		SCREW M6 L=8				*		2	
16		10108009		OIL SEAL				*		2	
17		RE0800000K0		E-SHAPED SNAP RING (8MM)				*		1	
18		GAF01007000		SPRING						1	
19		40142689		COUNTER_WEIGHT_COMPL.						1	
20	R	40142691	40142689	COUNTER_WEIGHT		A	LK1900B	*		1	1.00
20	R	40142691	40142785	COUNTER_WEIGHT		B	LK1903B	*		1	1.00
21		40010424		COUNTER_WEIGHT_SCREW_A				*		1	
22		40010425		COUNTER_WEIGHT_SCREW_B				*		1	
23		40010426		COUNTER_WEIGHT_SCREW_C				*		2	
24		WP0820516SP		WASHER 11.6X8.2X0.6				*		1	
25		40110841		THRUST_COLLAR_ASM.				*		1	
26		40110842		THRUST_COLLAR				*		1	
27		SM80506A2TP		SCREW M5 L=6				*		2	
28	R	40142692	40142689	THREAD_TAKE_UP_COMPL.				*		1	1.00
29	R	40142701	40142689	LEFT_HAND_SCREW				*		1	1.00
30	R	40142697	40142689	NEEDLE_BAR_CRANK_ROD_COMPL.		A	LK1900B	*		1	1.00
30	R	40142697	40142785	NEEDLE_BAR_CRANK_ROD_COMPL.		B	LK1903B	*		1	1.00
31	R	40142693	40142689	THREAD_TAKE_UP_ASM.				*		1	1.00
32	R	40142696	40142689	NEEDLE_BAR_CRANK				*		1	1.00
33	R	40142806	40142689	TAKE_UP_CRANK_ASM.				*		1	1.00
34		RE0300000K0		E-RING 3				*		2	
35		SM7030550TP		SCREW M3 L=4.5					☆	1	
36		SM8040310SS		SCREW M4 L=3						2	
37		40138137		IPM550W MOTOR						1	
38		40010470		SHUTTLE_ASM_SCREW						2	
39		40136292		BTW_DRIVING_WHEEL_ASM.	EXCEPT LK-1903B					1	
40		40144697		BTW DRIVING WHEEL 03 ASM.	FOR LK-1903B					1	
41		40136293		BTW_DRIVING_WHEEL	EXCEPT LK-1903B			*		1	
42		40144696		BTW_DRIVING_WHEEL	FOR LK-1903B			*		1	
43		SM80506A2TP		SCREW M5 L=6				*		2	
44		40006516		GEAR B						1	

MAIN SHAFT & NEEDLE BAR COMPONENTS

No.	Supply Code	Parts No.	Replacement	Parts name	Remarks	Choice	Step	Level	Cons	Qty	Rep. QTY
45		SM8040310SS		SCREW M4 L=3						2	
46		SS6090670TP		SCREW 9/64-40 L=6						1	
47		40090058		SLIDE BLOCK						1	
48		40142705		NEEDLE_BAR_METAL						1	
49		40142706		NEEDLE_BAR_LOWER_METAL						1	
50		40010574		THREAD_GUIDE	EXCEPT L-K-1900BH,BW				☆	1	
51		D1405L7AM00		NEEDLE BAR THREAD GUIDE	FOR LK-1900BH,BW				☆	1	
52		MDP500B1100		NEEDLE DPX5 #11	FOR LK-1900BF,BM				☆	1	
53		MDP500B1400		NEEDLE DPX5 #14	FOR LK-1900BS				☆	1	
54		MDP170B2100		NEEDLE DPX17 #21	FOR LK-1900BH,BW				☆	1	
55		40006515		GEAR A						1	
56		SL6052592TN		BOLT						4	
57		40142681		COUPLING ASM.						1	
58		SM80608A2TP		SCREW M6 L=8				*		4	
59		B1212210D00		PULLEY						1	
60		B1144210000		REVOLVING DIRECTION LABEL						1	
61		26500306		HAND PULLEY SHAFT						1	
62		PS0400142KH		SPRING PIN 4X14						1	
63	D	A123050000A		SET-SCREW						1	
64		40110812		CRANK_BALANCER_ASM.						1	
65		40010439		CRANK_BALANCER_FIX_PLATE				*		1	
66		40010440		CRANK_BALANCER_FIX_PLATE_SCREW				*		2	
67		40110813		CRANK_BALANCER				*		1	
68		40142704		NEEDLE_BAR						1	
69	R	B1411552000	B14115520A0	NEEDLE BAR CLAMP						1	1.00

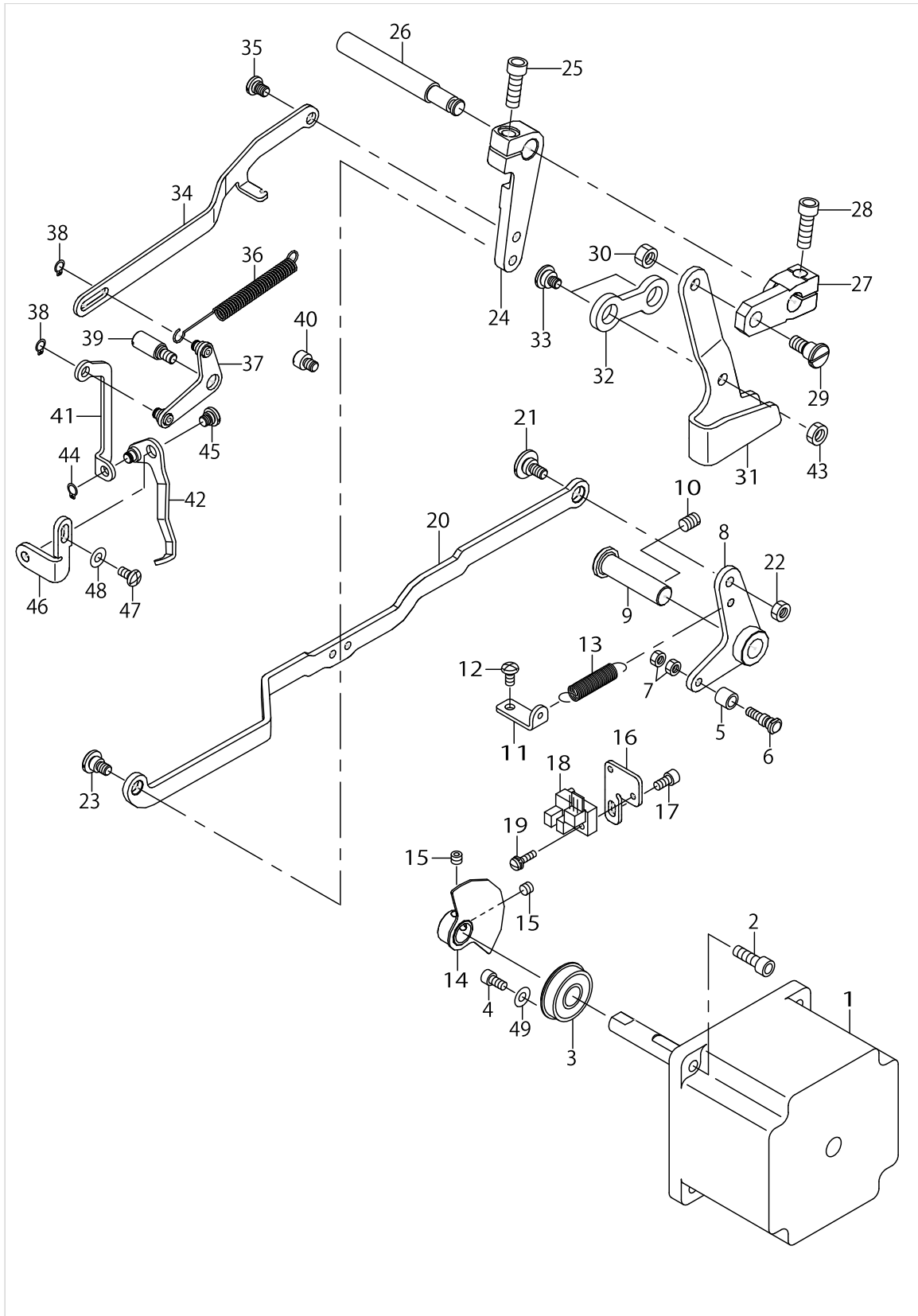
PRESSER LIFTER & WIPER COMPONENTS



PRESSER LIFTER & WIPER COMPONENTS

No.	Supply Code	Parts No.	Replacement	Parts name	Remarks	Choice	Step	Level	Cons	Qty	Rep. QTY
1		40139178		PRESSER LIFTING MOTOR						1	
2		SM6051602TP		SCREW M5X0.8 L=16						4	
3		SB110002400		BEARING						1	
4		SM6040802TP		SCREW M4X0.7 L=8						1	
5		40004254		UTT_CAM_ROLLER						1	
6		40040256		CAM ROLLER SHAFT						1	
7		NM6040001SP		NUT M4X0.7						2	
8		40006661		LIFTER LINK A ASM.						1	
9		40006716		THREAD TRIMMER SHAFT						1	
10		SM8060812TP		SCREW M6 L=8						1	
11		40023831		SPRING_RACK						1	
12		SM4040855SP		SCREW						1	
13		26226209		SPRING						1	
14		40006666		SENSOR SLIT ASM.						1	
15		SM8050402TP		SCREW						2	
16		40010443		SENSOR_INSTALLING_BASE						1	
17		SM6040802TP		SCREW M4X0.7 L=8						1	
18		HD00057000A		PHOTO SENSOR						1	
19		SL4031291SC		SCREW M3X12						1	
20		40006665		LIFTER LINK B						1	
21		SD0800327TP		HINGE SCREW D=8 H=3.2						1	
22		NM6050001SP		NUT M5						1	
23		SD0700406TP		HINGESCREWD=7H=4						1	
24		40006671		CONNECTING ARM						1	
25		SM6061802TP		SCREW M6 L=18						1	
26		40083882		CONNECTING SHAFT						1	
27		40008693		LOWERING ARM						1	
28		SM6061802TP		SCREW M6 L=18						1	
29		SD0790606TP		HINGE SCREW D=7.94 H=6						1	
30		NM6060001CP		NUT M6						1	
31		40010450		LOWERING_FOOT						1	
32		14104400		CONNECTING LINK						1	
33		SD1000406TP		HINGE SCREW D=10 H=4						2	
34		40010460		WIPER CONNECTING LINK						1	
35		SD0600206TP		HINGESCREWD=6H=2						1	
36		26218008		SPRING						1	
37		40010451		WIPER_CONNECTING_ARM_ASM.						1	
38		RC0470611KP		RETAINING RING 4.7						2	
39		40010455		WIPER_CONNECTING_LINK_SHAFT						1	
40		40010457		WIPER_STOPPER						1	
41		40010458		WIPER_CONNECTING_PLATE						1	
42		40017202		WIPER C ASM.						1	
43		NM6060003SC		NUT M6						1	
44		RC0470611KP		RETAINING RING 4.7					☆	1	
45		SD0640216TP		HINGE SCREW D=6.35 H=2.1						1	
46		40006678		WIPER BASE PLATE						1	

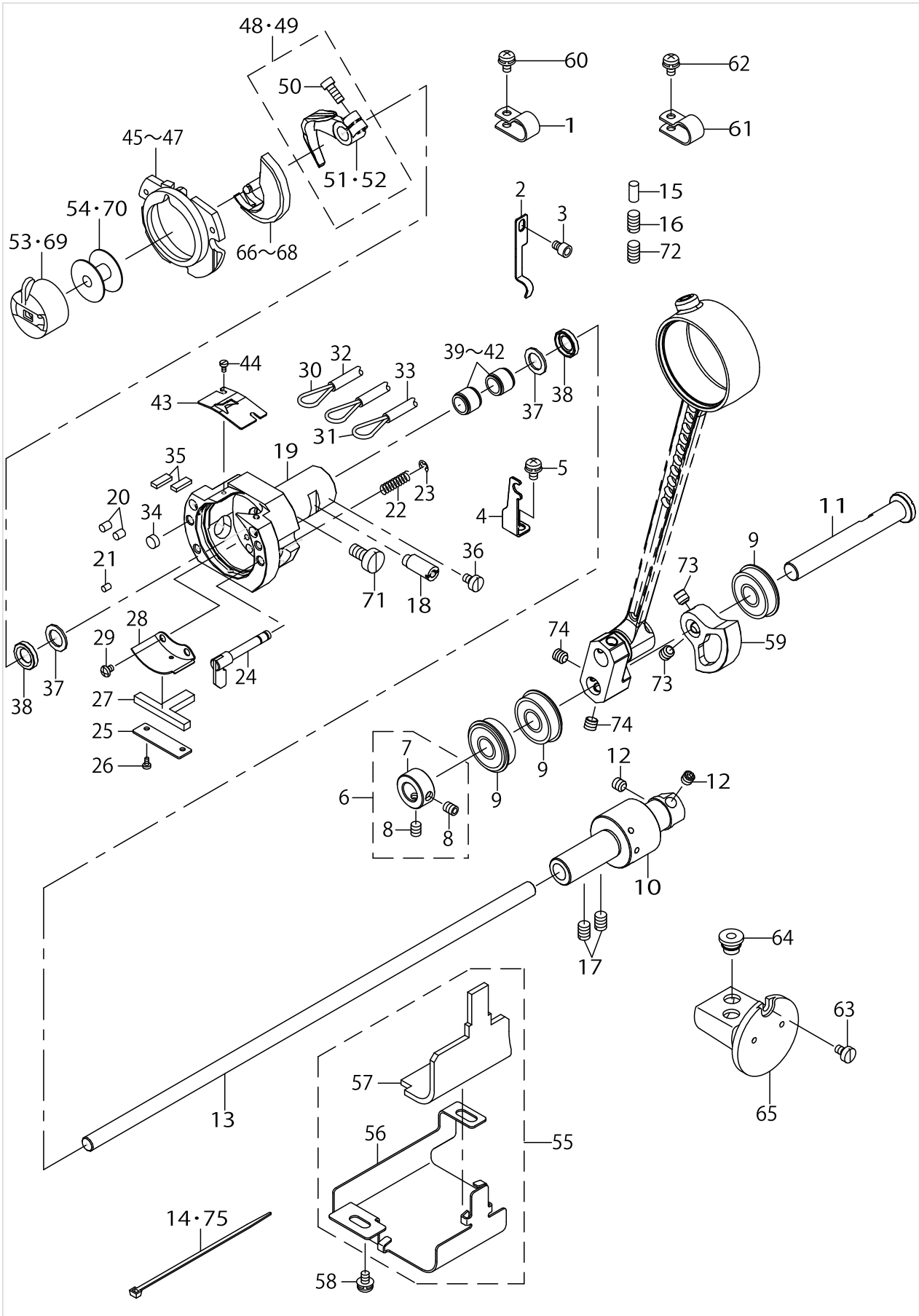
PRESSER LIFTER & WIPER COMPONENTS



PRESSER LIFTER & WIPER COMPONENTS

No.	Supply Code	Parts No.	Replacement	Parts name	Remarks	Choice	Step	Level	Cons	Qty	Rep. QTY
47		SM4040855SP		SCREW						1	
48		WP0450801SP		WASHER						1	
49		WP0450801SP		WASHER						1	

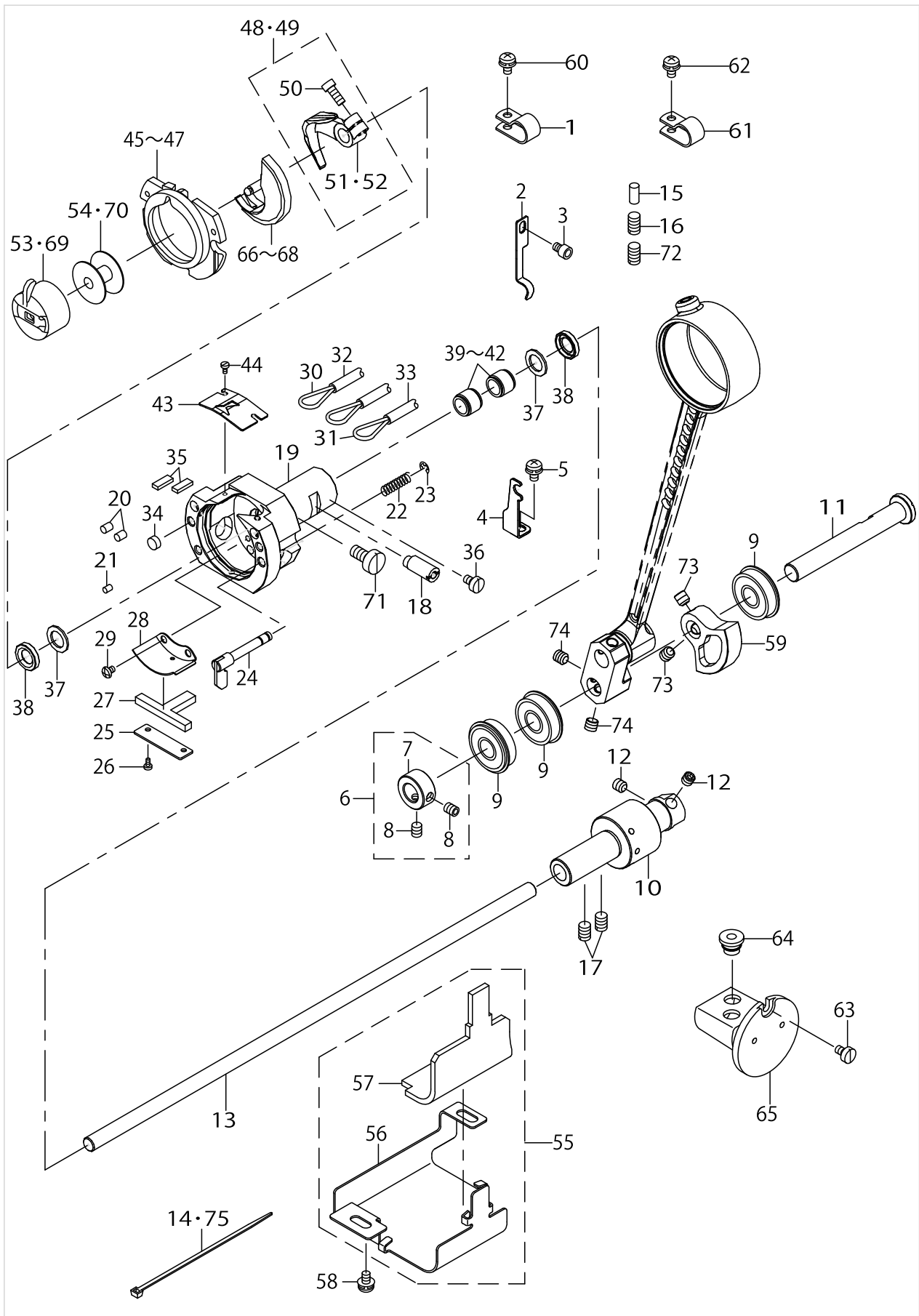
SHUTTLE DRIVER SHAFT COMPONENTS



SHUTTLE DRIVER SHAFT COMPONENTS

No.	Supply Code	Parts No.	Replacement	Parts name	Remarks	Choice	Step	Level	Cons	Qty	Rep. QTY
1		HX00150000D		CABLE CLIP						1	
2		40012127		OIL_PIPE_HOLDER						1	
3		SM6040502TP		SCREW M4X0.7 L=5						1	
4		40013721		TUBE_CLAMP						1	
5		SL4040891SC		SCREW M4 L=8						1	
6		40010464		THRUST_COLLAR_ASM.						1	
7	R	40010467	40010464	THRUST_COLLAR				*		1	1.00
8		40010469		THRUST_COLLAR_SCREW				*		2	
9		SB110002400		BEARING						3	
10		40110830		LOWER_SHAFT_GEAR_ASM.						1	
11		40112994		OSCILLATOR_SHAFT						1	
12		SM8060612TP		SCREW M6 L=6						2	
13		40010575		LOWER SHAFT						1	
14		EA9500B0100		CABLE BAND						1	
15		40006578		OIL WICK PRESSER						1	
16		SM8061010TP		SCREW						1	
17		SM8060812TP		SCREW M6 L=8						2	
18		40010471		SHUTTLE_RACE_ADJUSTING_SHAFT						1	
19		40089365		SHUTTLE						1	
20		B1820210D00		SHUTTLE OIL FELT A					☆	2	
21		B1821210D00		SHUTTLE OIL FELT B					☆	1	
22		B1822215P00		INNER HOOK PRESSER SPRING						2	
23		RE0300000K0		E-RING 3						2	
24		26501858		INNER HOOK PRESSER ASM.						2	
25		14104004		ONCE THROUGH OIL FELT PRESSER						1	
26		SM6020460TP		SCREW M2 L=3.5						2	
27		14103907		SHUTTLE ONCE THROUGHTHROUGH OIL FELT						1	
28		40006577		SHUTTLE LUBRICATING PLATE						1	
29		SM4030455SP		SCREW						2	
30		CQ200000000		OIL WICK						2.6	
31		CQ200000000		OIL WICK						1.4	
32		23630007		TUBE						1	
33		23630007		TUBE						.6	
34		13529607		SHUTTLE PACKING					☆	2	
35		40142719		FELT						2	
36		SM6040650TP		SCREW M4 L=6						1	
37	R	40006575	40010472	SHUTTLE BEARING RING						2	1.00
38		40110856		SUTTLE_OIL_SEAL						2	
39		SB3080010CA		BEARING	SELECTIVE PARTS					2	
40		SB3080010CB		BEARING	SELECTIVE PARTS					2	
41		SB3080010CC		BEARING	SELECTIVE PARTS					2	
42		SB3080010CD		BEARING	SELECTIVE PARTS					2	
43		B1815210000		INNER HOOK UPPER SPRING						1	
44		SM6020460TP		SCREW M2 L=3.5						2	
45		14103253		INNER HOOK PRESSER ASM. A	FOR LK-1900BF,BM					1	

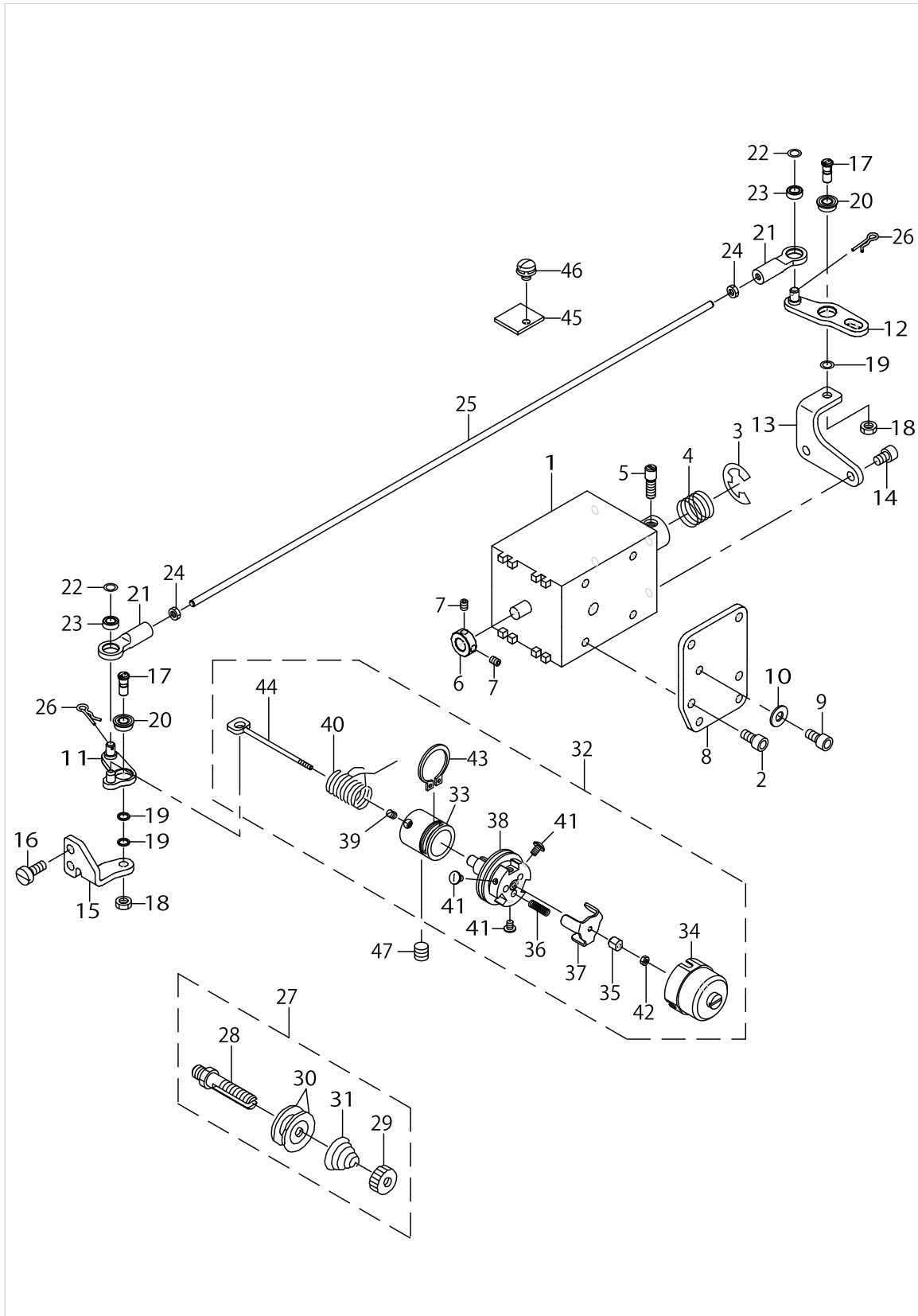
SHUTTLE DRIVER SHAFT COMPONENTS



SHUTTLE DRIVER SHAFT COMPONENTS

No.	Supply Code	Parts No.	Replacement	Parts name	Remarks	Choice	Step	Level	Cons	Qty	Rep. QTY
46		14103352		INNER HOOK PRESSER ASM. B	FOR LK-1900BS					1	
47		14103659		SHUTTLE RACE RING ASM. C	FOR LK-1900BH,BW					1	
48		40011512		DRIVER_ASM.	EXCEPT L-K-1900BW					1	
49		40014963		SHUTTLE DRIVER ASM.	FOR LK-1900BW					1	
50		SS6121212TP		SCREW 3/16-28 L=12.0				*		1	
51	R	40011511	40011512	SHUTTLE_DRIVER	EXCEPT L-K-1900BW			*		1	1.00
52	R	40010879	40014963	SHUTTLE DRIVER	FOR LK-1900BW			*		1	1.00
53		B18289800BB		BOBBIN CASE ASM. (RACING PREVENTION)	EXCEPT L-K-1900BW				☆	1	
54		13812102		BOBBIN	EXCEPT L-K-1900BW				☆	1	
55		40142687		LOWER_SHAFT_GEAR_COVER_ASM.						1	
56		40142688		LOWER_SHAFT_GEAR_COVER				*		1	
57		40010475		LOWER_SHAFT_GEAR_FELT				*		1	
58		SL4040891SC		SCREW M4 L=8						2	
59		40110827		OSCILLATOR						1	
60		SL4040891SC		SCREW M4 L=8						1	
61		HX00150000B		CABLE CLIP						2	
62		SL4040891SC		SCREW M4 L=8						2	
63		SM6040650TP		SCREW M4 L=6						1	
64		40006840		RUBBER BUSH						2	
65		40006836		OIL TANK ASM.						1	
66		40110846		SHUTTLE	EXCEPT L-K-1900BH,BW				☆	1	
67		40112995		SHUTTLE(H)	FOR LK-1900BH				☆	1	
68		40014965		SHUTTLE(H)	FOR LK-1900BW				☆	1	
69		B1828210DAA		BOBBIN CASE ASM.	FOR LK-1900BW				☆	1	
70		B1806210D00		BOBBIN	FOR LK-1900BW				☆	1	
71		40010470		SHUTTLE_ASM_SCREW						1	
72		SM8061050TP		SCREW						1	
73		SM8480652TP		SCREW						2	
74		SM8480652TP		SCREW						2	
75		A4078009000		BAND (SMALL)						1	

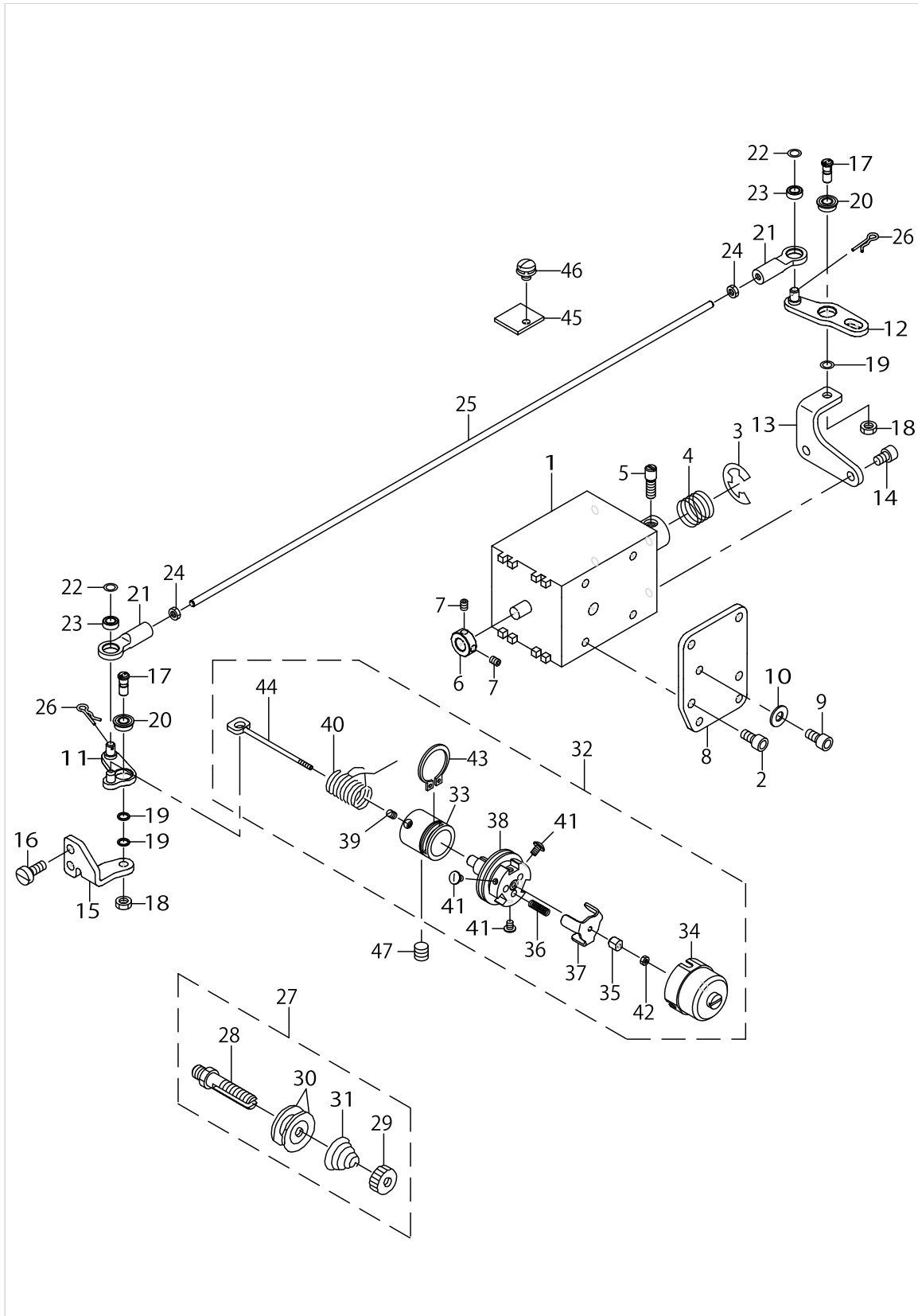
THREAD TENSION COMPONENTS



THREAD TENSION COMPONENTS

No.	Supply Code	Parts No.	Replacement	Parts name	Remarks	Choice	Step	Level	Cons	Qty	Rep. QTY
1		40142273		AT SOLENOID						1	
2		SM6040802TP		SCREW M4X0.7 L=8						4	
3		RE0900000K0		E-RING 9						1	
4		40006625		SPRING						1	
5		40006617		AT SOL PIN						1	
6		40010477		AT_SOL_COLLAR						1	
7		SM8030412TP		SCREW						2	
8		40010479		AT_PLATE						1	
9		SM6040802TP		SCREW M4X0.7 L=8						2	
10		WP0450801SD		WASHER 4.5X10X0.8						2	
11		40010482		AT_DRIVE_LINK(F)_ASM.						1	
12		40010492		AT_DRIVE_LINK(R)_ASM.						1	
13		40010495		AT_PIVOT_BASE(R)						1	
14		SM6040602TP		SCREW M4 L=6						2	
15		40010486		AT_PIVOT_BASE(F)						1	
16		SM6041050TP		SCREW M4 L=10						2	
17		40010487		AT_PIVOT_SCREW						2	
18		NM6040003SC		NUT M4						2	
19		40010489		AT_PIVOT_SCREW_WASHER						3	
20		40010490		AT_PIVOT_BEARING						2	
21		40010497		AT_JOINT						2	
22		40010489		AT_PIVOT_SCREW_WASHER						2	
23		40010498		AT_JOINT_BEARING						2	
24		NM6030001SC		NUT M3X0.5 TYPE1						2	
25		40010500		AT_CONNECTION_BAR						1	
26		40006622		AT SNAP PIN						2	
27		40010503		THREAD_TENSION_1_ASM.						1	
28	R	40010504	40010503	THREAD_TENSION_SHAFT				*		1	1.00
29		22928808		NUT				*		1	
30		22921506		THREAD TENSION DISK				*		2	
31		26218602		FIRST_THREAD_TENSION_SPRING				*		1	
32		40010508		THREAD_TENSION_2_ASM.						1	
33		40010510		THREAD_TENSION_POST_BASE				*		1	
34		40010511		DISK_STOPPER HOLDER_CAP				*		1	
35		40010512		THREAD_TENSION_SHAFT_COLLAR				*		1	
36		40010513		DISK_STOPPER_SPRING				*		3	
37		40010514		DISK_STOPPER				*		1	
38		40010515		ASSY_THREAD_TENSION_POST				*		1	
39		40010478		AT_SOL_COLLAR_SCREW				*		1	
40		22921605		THREAD TAKE-UP SPRING				*	☆	1	
41		40010521		HOLD_CAP_SCREW				*		3	
42		40010522		SHAFT_NUT				*		1	
43	R	40010523	40010508	POST_BASE_C_RING				*		1	1.00
44		40010509		THREAD_TENSION_SHAFT				*		1	
45		40013967		AT-FELT						1	
46		SL4040681SC		SCREW M4 L=6						1	

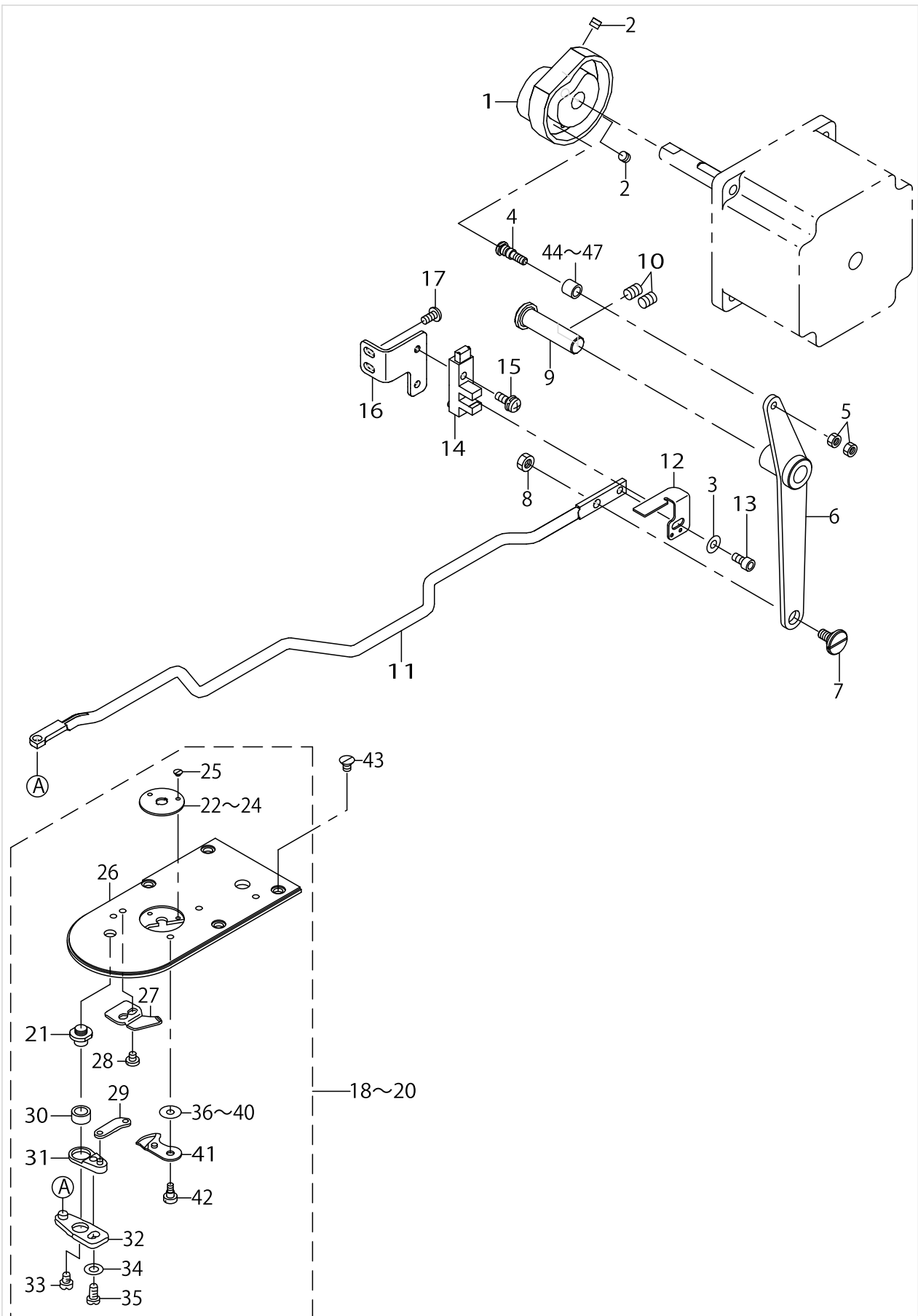
THREAD TENSION COMPONENTS



THREAD TENSION COMPONENTS

No.	Supply Code	Parts No.	Replacement	Parts name	Remarks	Choice	Step	Level	Cons	Qty	Rep. QTY
47		SM80606A2TP		SCREW M6 L=6						1	

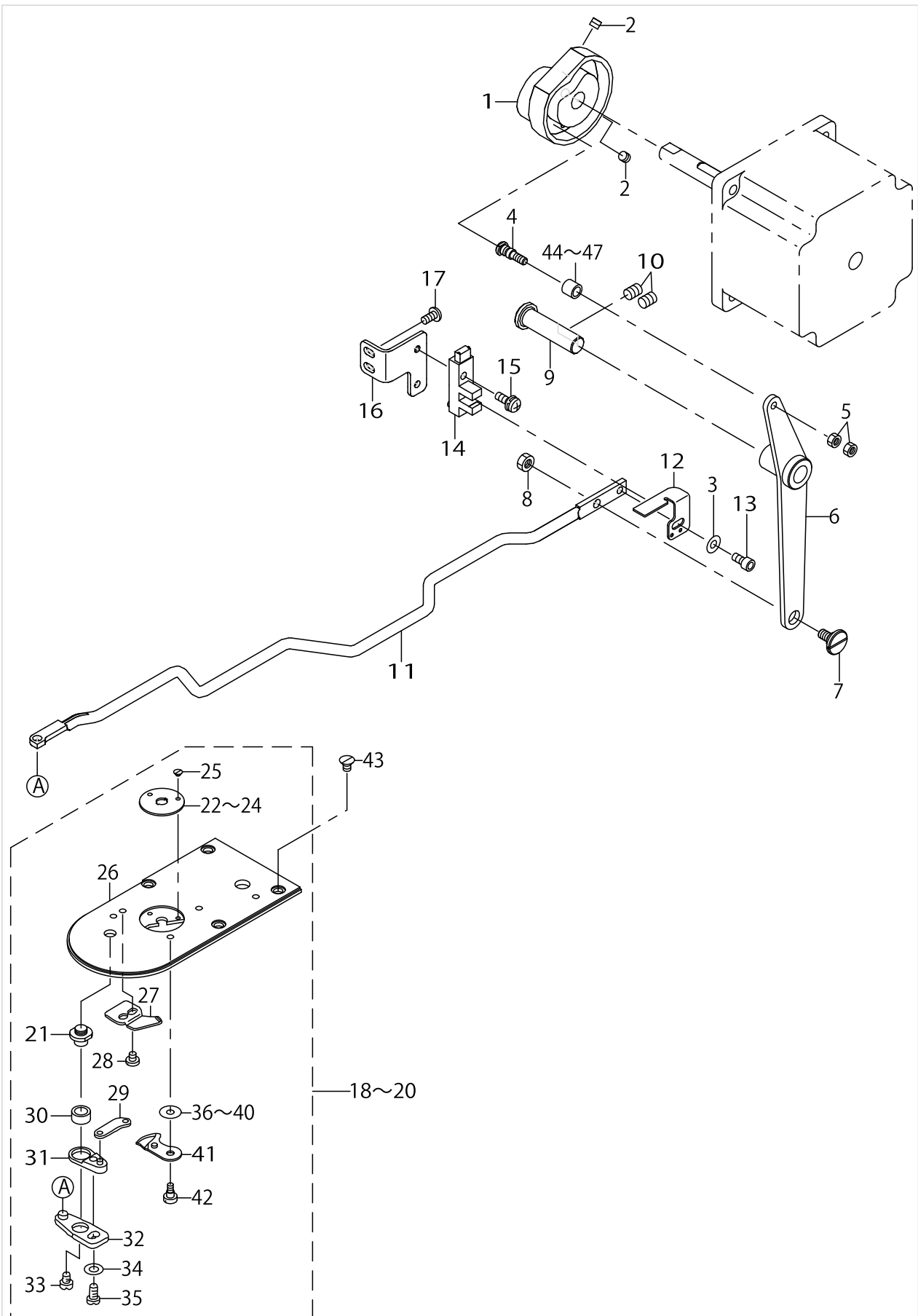
THREAD TRIMMER MECHANISM COMPONENTS



THREAD TRIMMER MECHANISM COMPONENTS

No.	Supply Code	Parts No.	Replacement	Parts name	Remarks	Choice	Step	Level	Cons	Qty	Rep. QTY
1	R	40142728	40142727	THREAD_TRIMMER_CAM						1	1.00
2		SM8050592TP		SCREW						2	
3		WP0450801SP		WASHER						1	
4		40040256		CAM ROLLER SHAFT						1	
5		NM6040001SP		NUT M4X0.7						2	
6		40006712		THREAD TRIMMER LINK ASM.						1	
7		SD0800327TP		HINGE SCREW D=8 H=3.2						1	
8		NM6050001SP		NUT M5						1	
9		40006716		THREAD TRIMMER SHAFT						1	
10		SM8060812TP		SCREW M6 L=8						2	
11		40006717		CONNECTING BAR						1	
12		40010525		THREAD_TRIMMER_SENSOR_SLIT						1	
13		SM6040802TP		SCREW M4X0.7 L=8						1	
14		HD002230000		PHOTO SENSOR						1	
15		SL4041291SC		SCREW M4 L=12						1	
16		40010526		THREAD_TRIMMER_SENSOR_BASE						1	
17		SM4040855SP		SCREW						2	
18		40142720		NEEDLEPLATEASMA	FOR LK-1900BS					1	
19		40142721		NEEDLEPLATEASMH	FOR LK-1900BH,BW					1	
20		40142722		NEEDLEPLATEASME	FOR LK-1900BF,BM					1	
21		B2417280000		THREAD CUTTER LEVER SHAFT				*		1	
22		B2426280000		NEEDLE HOLE GUIDE	FOR LK-1900BS			*	☆	1	
23		14109607		NEEDLE HOLE GUIDE	FOR LK-1900BH,BW			*	☆	1	
24		D2426282C00		NEEDLE HOLE GUIDE	FOR LK-1900BF,BM			*	☆	1	
25		SS1060210TP		SCREW 3/32-56 L=2.2				*	☆	2	
26		40142725		NEEDLE PLATE				*		1	
27		B2424280000		FIXING KNIFE				*	☆	1	
28		SS7090410SP		SCREW 9/64-40 L=3.5				*		2	
29		B2418280000		MOVING KNIFE LINK				*		1	
30		B2416280000		THREAD CUTTING LEVER RING				*		1	
31		B24152800A0		THREAD CUTTER L- EVER ASM. (SMALL)				*		1	
32		B24142800A0		THREAD CUTTER L- EVER ASM. (LARGE)				*		1	
33		SS6110430TP		SCREW 11/64-40 L=4.0				*		1	
34		WP0450846SP		WASHER				*		1	
35		SS7110740TP		SCREW 11/64-40 L=7				*		1	
36		B242328000C		MOVING KNIFE WASHER C	SELECTIVE PARTS			*		1	
37		B242328000A		MOVING KNIFE WASHER A	SELECTIVE PARTS			*		1	
38		B242328000B		MOVING KNIFE WASHER B	SELECTIVE PARTS			*		1	
39		B242328000D		MOVING KNIFE WASHER D	SELECTIVE PARTS			*		1	
40		B242328000E		MOVING KNIFE WASHER E	SELECTIVE PARTS			*		1	
41		B24212800A0		MOVING KNIFE ASM.				*	☆	1	
42		SD0500091TP		HINGE SCREW D=5.0 H=0.9				*		1	
43		SM1040650TP		SCREW M4 L=6						4	
44		23517501		NEEDLE CAM ROLLER A						1	
45		23517600		NEEDLE CAM ROLLER B						1	

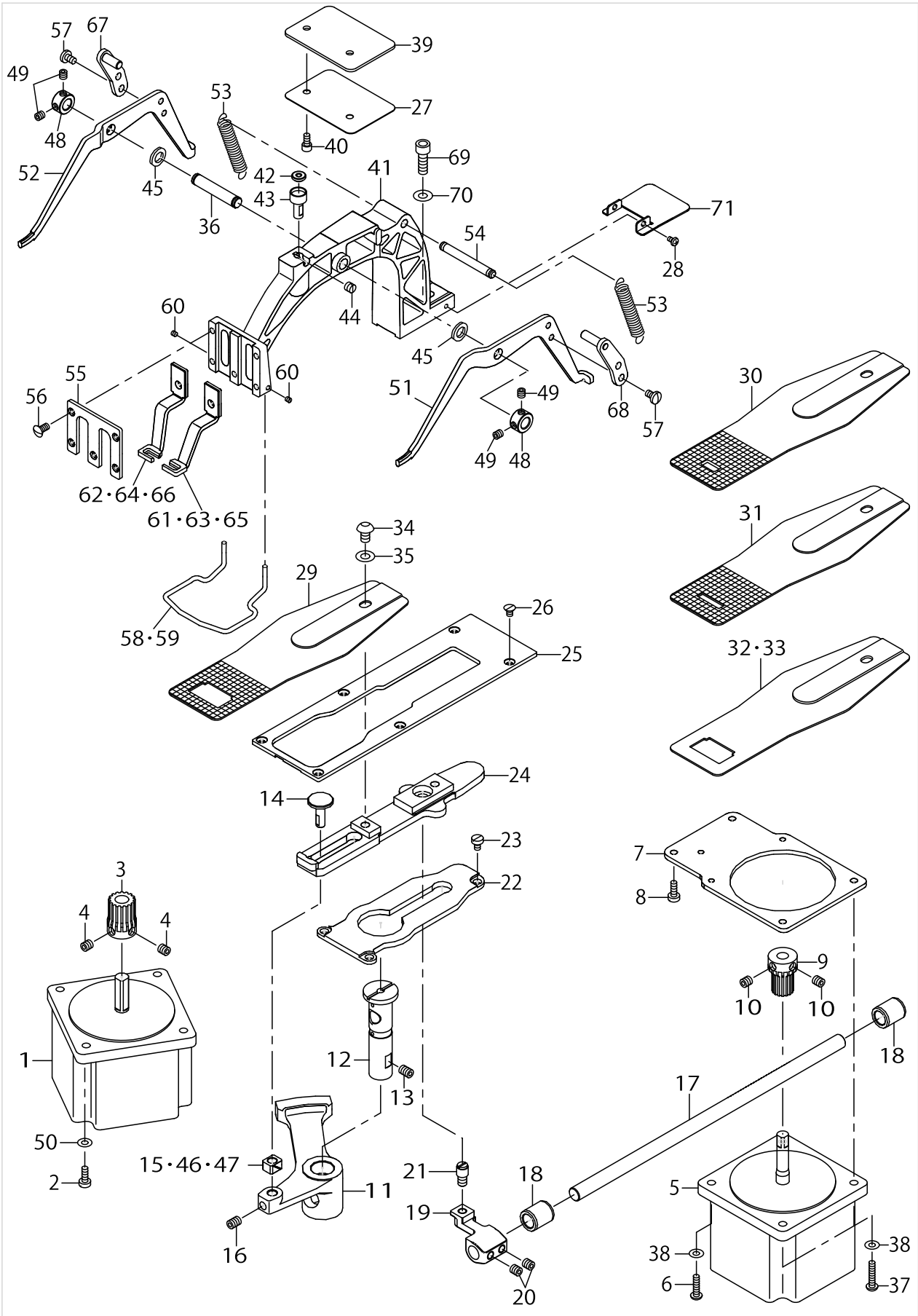
THREAD TRIMMER MECHANISM COMPONENTS



THREAD TRIMMER MECHANISM COMPONENTS

No.	Supply Code	Parts No.	Replacement	Parts name	Remarks	Choice	Step	Level	Cons	Qty	Rep. QTY
46		23517709		NEEDLE CAM ROLLER C						1	
47		23517808		NEEDLE CAM ROLLER D						1	

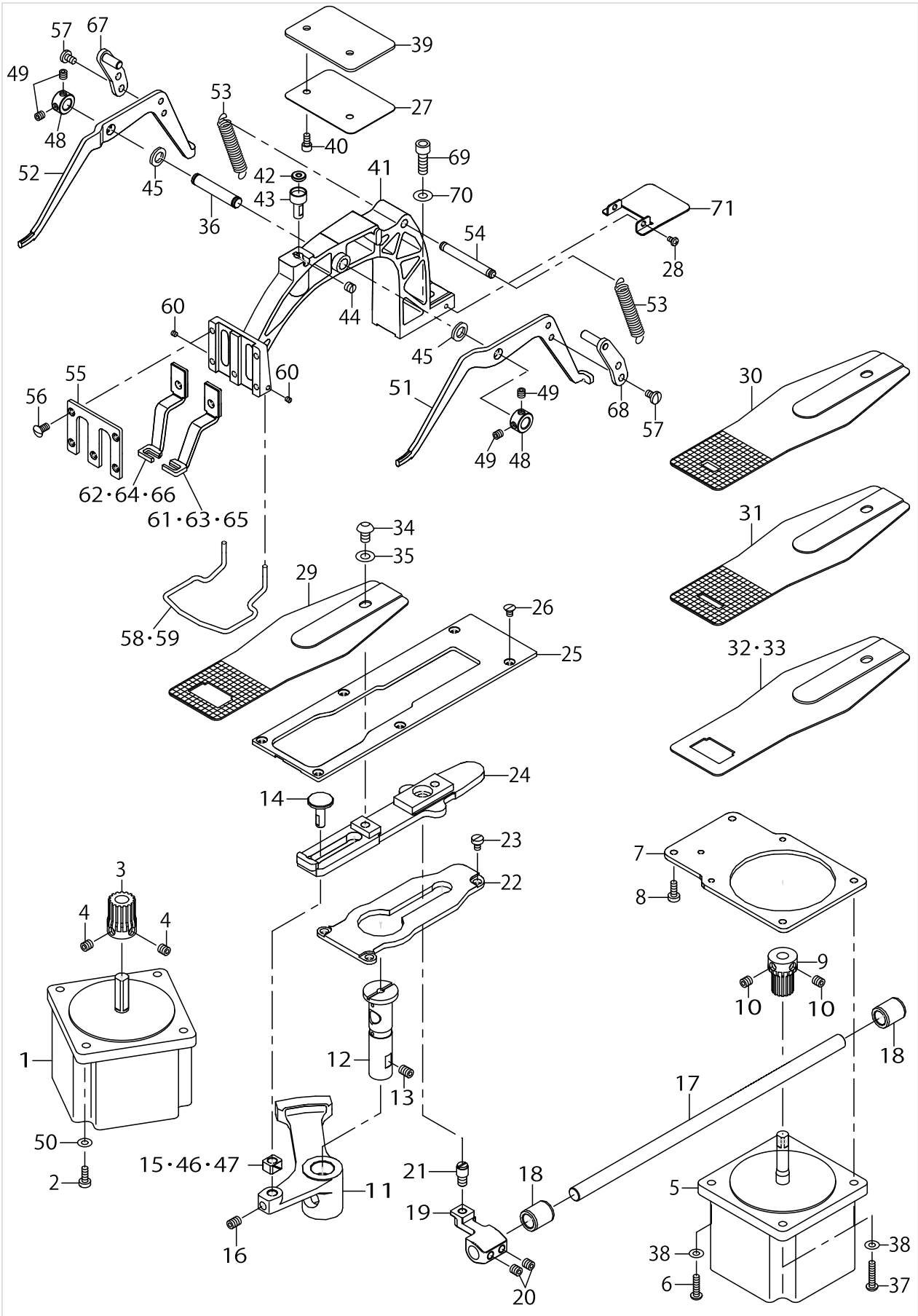
FEED MECHANISM COMPONENTS



FEED MECHANISM COMPONENTS

No.	Supply Code	Parts No.	Replacement	Parts name	Remarks	Choice	Step	Level	Cons	Qty	Rep. QTY
1		40139176		X FEED MOTOR						1	
2		SM4041655SP		SCREW M4 L=16						4	
3		40142729		X FEED GEAR						1	
4		SM8480662TP		SCREW M6X0.75 L=6						2	
5		40139177		Y FEED MOTOR						1	
6		SM4041655SP		SCREW M4 L=16						2	
7		40010536		Y_FEED_MOTOR_BASE						1	
8		SM6041150TP		SCREW M4 L=11						2	
9		26501502		Y FEED GEAR						1	
10		SM8060602TP		SCREW M6X6						2	
11		40142731		CLOTH_FEED_ARM						1	
12		26222703		FEED DRIVING ARM SHAFT						1	
13		SM8060812TP		SCREW M6 L=8						1	
14		26223305		SLIDE BLOCK STUD						1	
15		B1414232000		SQUARE BLOCK	SELECTIVE PARTS					1	
16		SM8060812TP		SCREW M6 L=8						1	
17		40006738		Y FEED SHAFT						1	
18		B2509704000		BUSHING REAR						2	
19		40142733		LENGTHWISE FEED ARM						1	
20		SM8060612TP		SCREW M6 L=6						2	
21		26223503		HINGE STUD						1	
22		40006740		CLOTH FEED SUPPORT PLATE						1	
23		SM6040650TP		SCREW						3	
24		40006737		CLOTH FEED PLATE						1	
25		40006739		CLOTH FEED PRESSER PLATE						1	
26		SM1040650TP		SCREW M4 L=6						6	
27		40142735		SLIDER SHEET						1	
28		SM5030501SC		SCREW M3 L=5						2	
29		14116107		FEED PLATE A	FOR LK-1900BS					1	
30		14116206		FEED PLATE B	FOR LK-1900BM					1	
31		13554803		FEED PLATE	FOR LK-1900BH,BW					1	
32		14116800		FEED PLATE H	FOR LK-19-00BF(EXCEPT BB)					1	
33		14116404		FEED PLATE D	FOR LK-1900BF,BB					1	
34		SM3061052TP		SCREW M6 L=10						1	
35		WP0621016SD		WASHER 6.2X13X1						1	
36		40083883		LIFTING LEVER SHAFT B						1	
37		SM4042055SP		SCREW M4 L=20						2	
38		WP0450801SP		WASHER						4	
39		40142734		SUPPORT PLATE						1	
40		SM6040802TP		SCREW M4X0.7 L=8						2	
41		40039013		FEED BRACKET B						1	
42		40142736		SLIDER						1	
43		26224808		BALL RETAINER						1	
44		SS8150510TP		SCREW 15/64-28 L=4.7						1	
45		40083885		WASHER						2	
46		B141423200A		CRANK SLIDE BLOCK	SELECTIVE PARTS					1	

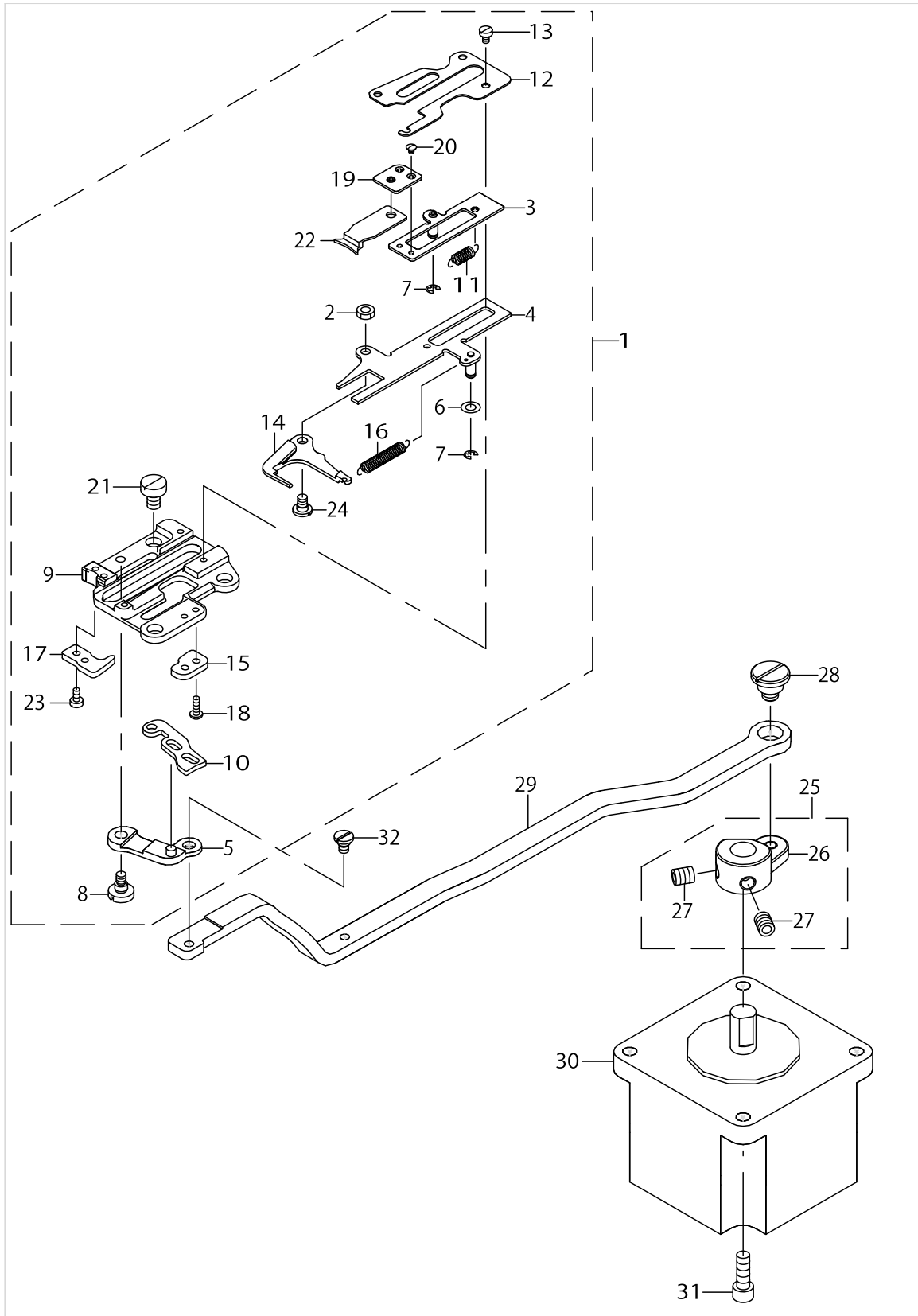
FEED MECHANISM COMPONENTS



FEED MECHANISM COMPONENTS

No.	Supply Code	Parts No.	Replacement	Parts name	Remarks	Choice	Step	Level	Cons	Qty	Rep. QTY
47		B141423200B		GUIDE ROLLER	SELECTIVE PARTS					1	
48		40083884		THRUST COLLAR D=8 W=8						2	
49		SM8050512TP		SCREW M5 L=5						4	
50		WP0450801SP		WASHER						4	
51		26204008		LIFTING LEVER (RIGHT)						1	
52		26204107		LIFTING LEVER (LEFT)						1	
53		14105407		CLOTH PRESSER SPRING						2	
54		13518501		SPRINGSUSPENSION						1	
55		26224105		WORK CLAMP FOOT FACE PLATE						1	
56		SS2110930SP		SCREW 11/64-40 L=8.7						5	
57		SS7110740TP		SCREW 11/64-40 L=7						4	
58		26224204		FINGER GUARD	EXCEPT L-K-1900BH,BW					1	
59		13548300		FINGER GUARD	FOR LK-1900BH,BW					1	
60		SS8080310TP		SCREW 1/8-44 L=2.8						2	
61		13518600		WORK CLAMP FOOT (RIGHT)	FOR LK-1900BS,BF					1	
62		13518709		WORK CLAMP FOOT (LEFT)	FOR LK-1900BS,BF					1	
63		13548102		WORK CLAMR FOOT (RIGHT)	FOR LK-1900BH,BW					1	
64		13548201		WORK CLAMR FOOT (LEFT)	FOR LK-1900BH,BW					1	
65		13542915		WORK CLAMP FOOT (RIGHT)	FOR LK-1900BM					1	
66		13543012		WORK CLAMP FOOT (LEFT)	FOR LK-1900BM					1	
67		40103155		LEVER_DRIVING_PLATE_L.ASM.						1	
68		40103154		LEVER_DRIVING_PLATE_R.ASM.						1	
69		SM6061802TP		SCREW M6 L=18						1	
70		WP0621016SD		WASHER 6.2X13X1						1	
71		40010570		HIDDEN_PLATE						1	

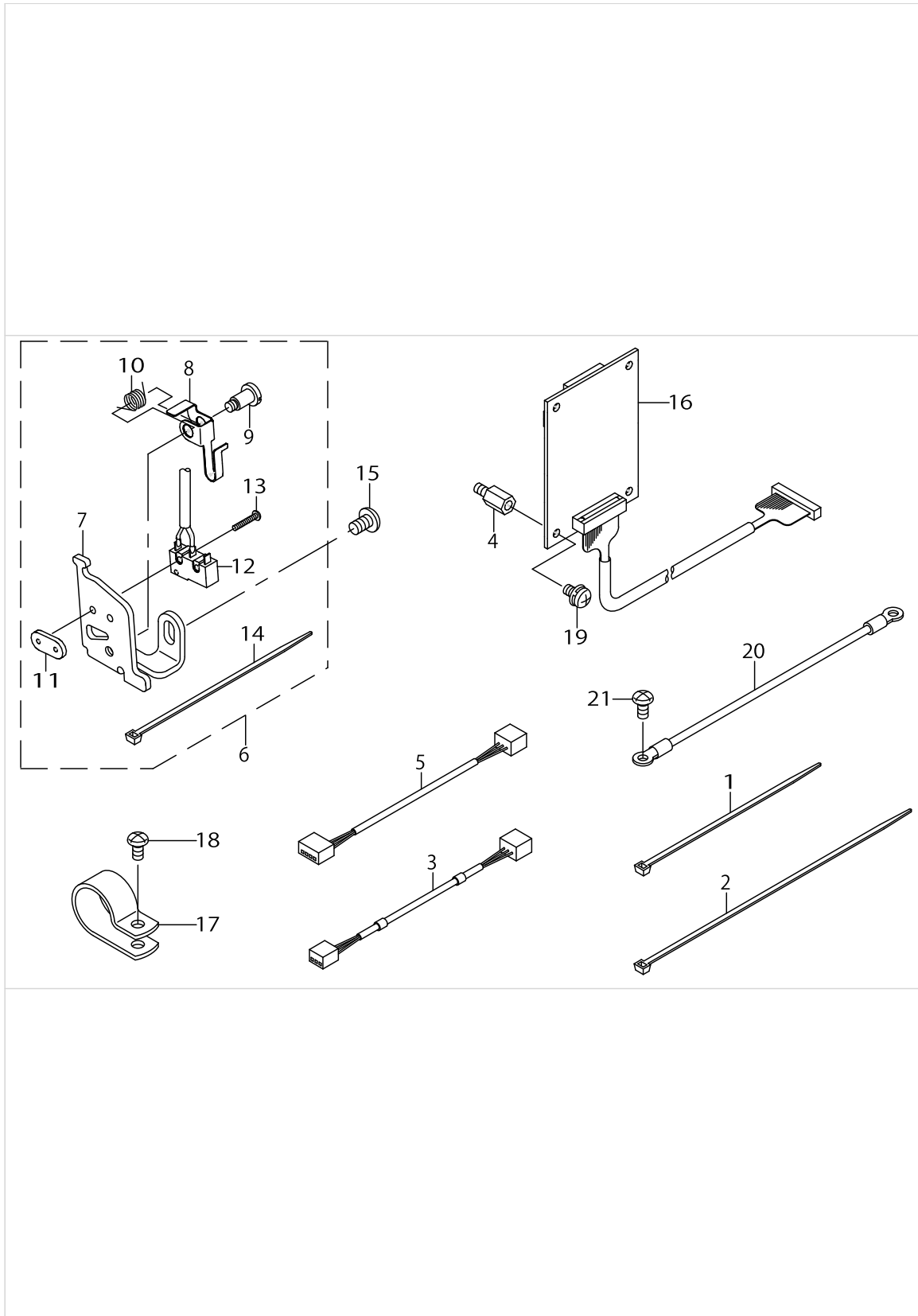
TC CLAMP COMPONENTS



TC CLAMP COMPONENTS

No.	Supply Code	Parts No.	Replacement	Parts name	Remarks	Choice	Step	Level	Cons	Qty	Rep. QTY
1		40142737		THREAD_CLAMP_UNIT_ASM.						1	
2		NM6030003SC		NUT M3				*		1	
3		40076233		TC_CLAMP_PLATE_ASM.				*		1	
4	R	40076238	40076235	TC_SUPPORT_PLATE				*		1	1.00
5		40015800		TC_LINK_ASM.				*		1	
6		WP0320500SC		WASHER M3				*		2	
7		RE0200000K0		E-RING				*		2	
8		SD0400266TP		HINGE SCREW D=4 H=2.6				*		1	
9		40076237		TC_BASE				*		1	
10		40010590		TC_CAM_PLATE				*		1	
11		40006780		TC_SPRING				*		1	
12		40076236		TC_BASE_COVER				*		1	
13		SM6020350SP		SCREW M2 L=2.5				*		4	
14	R	40076239	40155049	TC_OPEN_PLATE				*		1	1.00
15		40030943		TC_NOTCH_R_H				*		1	
16		40076232		TC_OPEN_SPRING				*		1	
17		40030942		TC_NOTCH_F_H				*		1	
18		SM4020600SP		SCREW M2 L=6				*		2	
19		40012815		TC JOINT ASM.				*		1	
20		SM2360110TP		SCREW				*		2	
21		SM6040650TP		SCREW				*		3	
22		40006761		TC CLAMP				*		1	
23		SM6020450TP		SCREW				*		2	
24		SD0350156TP		SHOULDER SCREW				*		1	
25		40010527		TC_DRIVING_ARM_ASM.						1	
26		40142739		TC_DRIVING_ARM				*		1	
27	R	40011152	40010527	TC_ARM_SCREW				*		2	1.00
28		SD0800407TP		SHOULDER SCREW						1	
29		40006776		TC_CONNECTING_LINK						1	
30		40139179		THREAD CLAMP MOTOR						1	
31		SM6041202TP		SCREW M4X0.7 L=12						4	
32		SD0350156TP		SHOULDER SCREW						1	

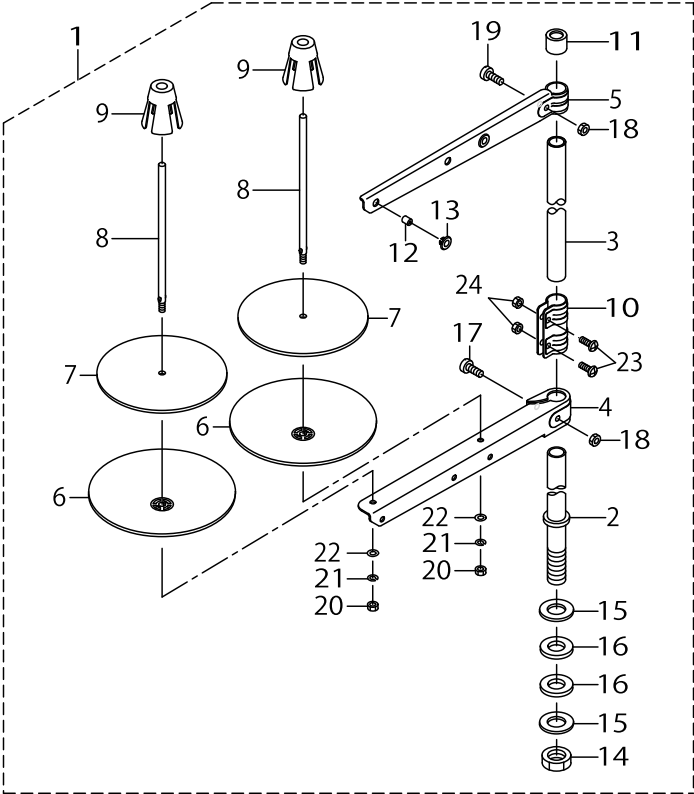
SENSOR COMPONENTS



SENSOR COMPONENTS

No.	Supply Code	Parts No.	Replacement	Parts name	Remarks	Choice	Step	Level	Cons	Qty	Rep. QTY
1		EA9500B0100		CABLE BAND						2	
2		EA9500B0200		CABLE BAND 150						2	
3		40005732		PF SENSOR CABLE ASM.						1	
4		KX000000380		SPACER						4	
5		40142747		TT SENSOR CABLE ASM.						1	
6		40006495		SAFETY SW ASM.						1	
7	R	40006496	40006495	SAFETY SW BASE				*		1	1.00
8		23638109		SAFETY SWITCH ARM.				*		1	
9	R	40006497	40006495	SAFETY SW ARM SHAFT				*		1	1.00
10	R	23638208	23638059	SAFETY SWITCH SPRING				*		1	1.00
11	R	23638406	23638059	SAFETY SWITCH NUT				*		1	1.00
12		40005734		SAFETY SW CABLE ASM.				*		1	
13		SM4021201SC		SCREW M2 L=12				*		2	
14		EA9500B0100		CABLE BAND				*		1	
15		SM4050855SP		SCREW						1	
16		40137370		INT PCB ASM.						1	
17		HX00150000K		CABLE CLIP						1	
18		SM4040855SP		SCREW						1	
19		SL4040881SF		SCREW M4 L=8						4	
20		14115554		HEAD GROUND CABLE A ASM.						1	
21		SM4040855SP		SCREW						1	

THREAD STAND COMPONENTS



THREAD STAND COMPONENTS

No.	Supply Code	Parts No.	Replacement	Parts name	Remarks	Choice	Step	Level	Cons	Qty	Rep. QTY
1		40096354		THREAD STAND ASM.						1	
2		40085784		SPOOL REST ROD (LOWER)				*		1	
3		40085785		SPOOL REST ROD (UPPER)				*		1	
4		40085786		SPOOL REST ARM (LOWER)				*		1	
5		40085787		SPOOL REST ARM (UPPER)				*		1	
6		40085788		SPOOL REST				*		2	
7		40085789		SPOOL REST CUSHION				*		2	
8		40085790		SPOOL PIN				*		2	
9		40085791		SPOOL RETAINER				*		2	
10		40085792		SPOOL REST ROD JOINT				*		1	
11		40085793		SPOOL REST ROD RUBBER CAP				*		1	
12		40085794		THREAD GUIDE				*		2	
13		40085795		THREAD GUIDE BUSHING				*		2	
14		40096325		SPOOL REST ROD NUT				*		1	
15		WP1612616SE		WASHER 16X30X2.6				*		2	
16		40085796		SPOOL REST ROD RUBBER CUSHION				*		2	
17		40096326		SPOOL REST ARM LOWER SCREW				*		1	
18		NM6050001SE		NUT M5				*		2	
19	R	40096327	SM4053001SE	SPOOL REST ARM UPPER SCREW				*		1	1.00
20		NM6050001SE		NUT M5				*		2	
21		WS0510002KN		SPRING WASHER M5				*		2	
22		WP0531001SC		WASHER M5				*		2	
23		SM4051405SE		SCREW M5 L=14				*		2	
24		NM6050001SE		NUT M5				*		2	

TABLE STAND COMPONENTS (JT-K46)

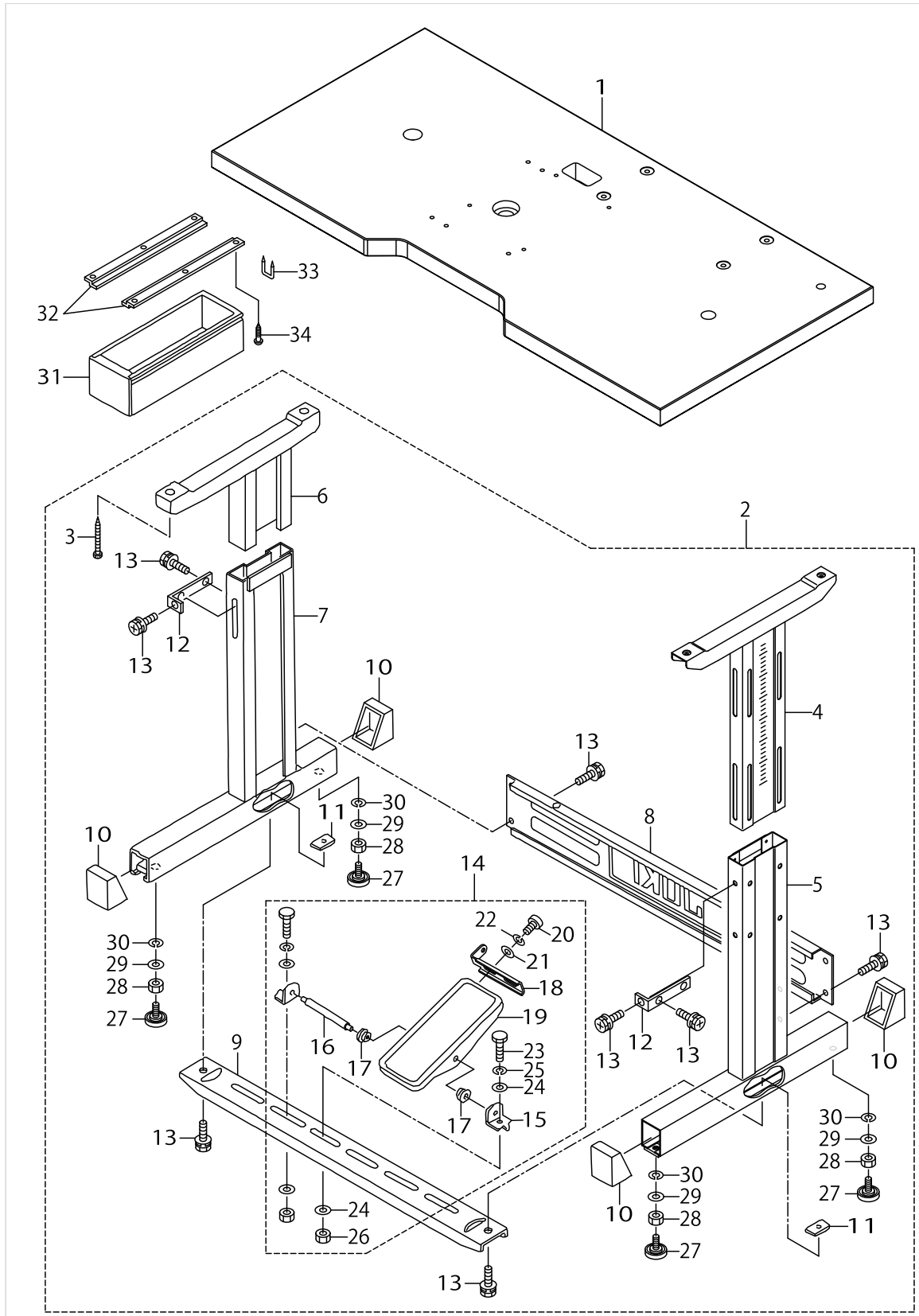
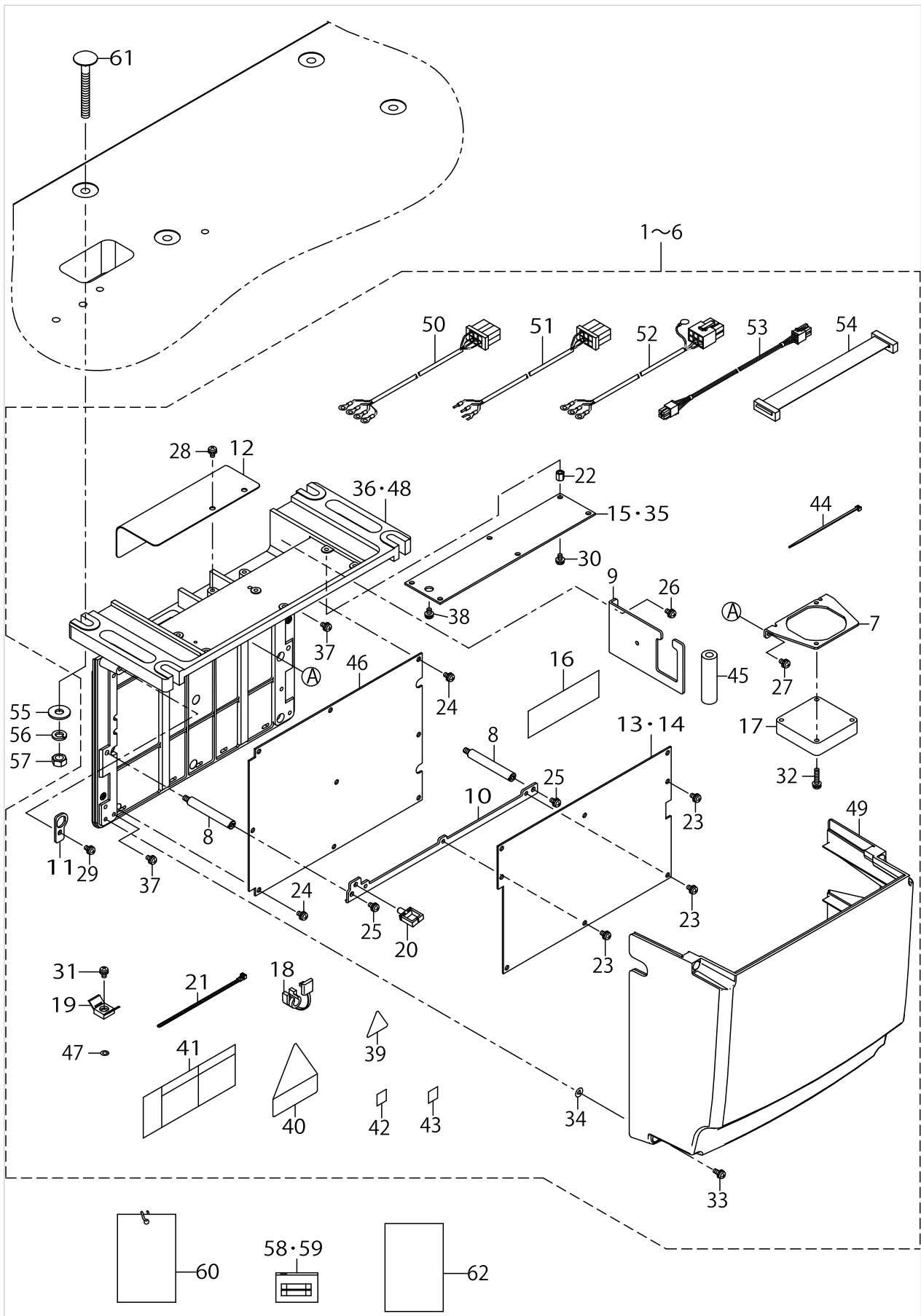


TABLE STAND COMPONENTS (JT-K46)

No.	Supply Code	Parts No.	Replacement	Parts name	Remarks	Choice	Step	Level	Cons	Qty	Rep. QTY
1		40143093		TABLE						1	
2		14118053		T-STAND COMPL.						1	
3		ST9053511SR		TAPPING SCREW M5X35				*		4	
4		14118152		UPPER STAND ASM. (RIGHT)				*		1	
5		14118251		STAND ASM. (RIGHT)				*		1	
6		B8101210AAB		UPPER STAND ASM.				*		1	
7		B8105210AAA		STAND ASM.				*		1	
8	D	11158300		STAND SIDE SUPPORT				*		1	
9		11158409		STAND SIDE SUPPORT				*		1	
10		11158607		RUBBER CAP				*		4	
11		17007402		NUT				*		2	
12		11158516		UPPERSTANDPLATE				*		2	
13		SL9082091SE		WASHER HEXAGONAL BOLT				*		12	
14		13817754		Z-STAND PEDAL ASM.				*		1	
15		11159001		PEDAL SHAFT BRACKET				*		1	
16		B8153771000		PEDAL CONNECTING ROD				*		1	
17		D8113555B00		PEDAL BUSHING				*		2	
18		GPF06080000		PEDAL ADJUSTING PLATE				*		1	
19		GPF060600A0		PEDAL ASM.				*		1	
20		SM9061203SE		SCREW M6 L=12				*		2	
21		WP0671016SE		WASHER 6.7X13X1				*		2	
22		WS0621210KR		SPRING WASHER 6.2X11.4X1.2				*		2	
23		SM9082023SE		SCREW M8 L=20				*		2	
24		WP0871602SE		WASHER 8.7X18X1.6				*		4	
25		WS0861410KR		SPRING WASHER 8.6X15X1.4				*		2	
26		NM6080721SE		NUT M8				*		2	
27		B81085550A0		ADJUSTING SCREW ASM. WITH CAP				*		4	
28		NM6120001SE		NUT M12				*		4	
29		WP1302501SE		WASHER M12				*		4	
30		WS1253010KN		SPRING WASHER 12.5X21.5X3				*		4	
31	R	11155108	11155157	DRAWER						1	1.00
32		11155207		DRAWER SUPPORT						2	
33		D8204555D00		DRAWER STOPPER						1	
34		SK3311601SE		WOOD SCREW D=3.1 L=16						6	

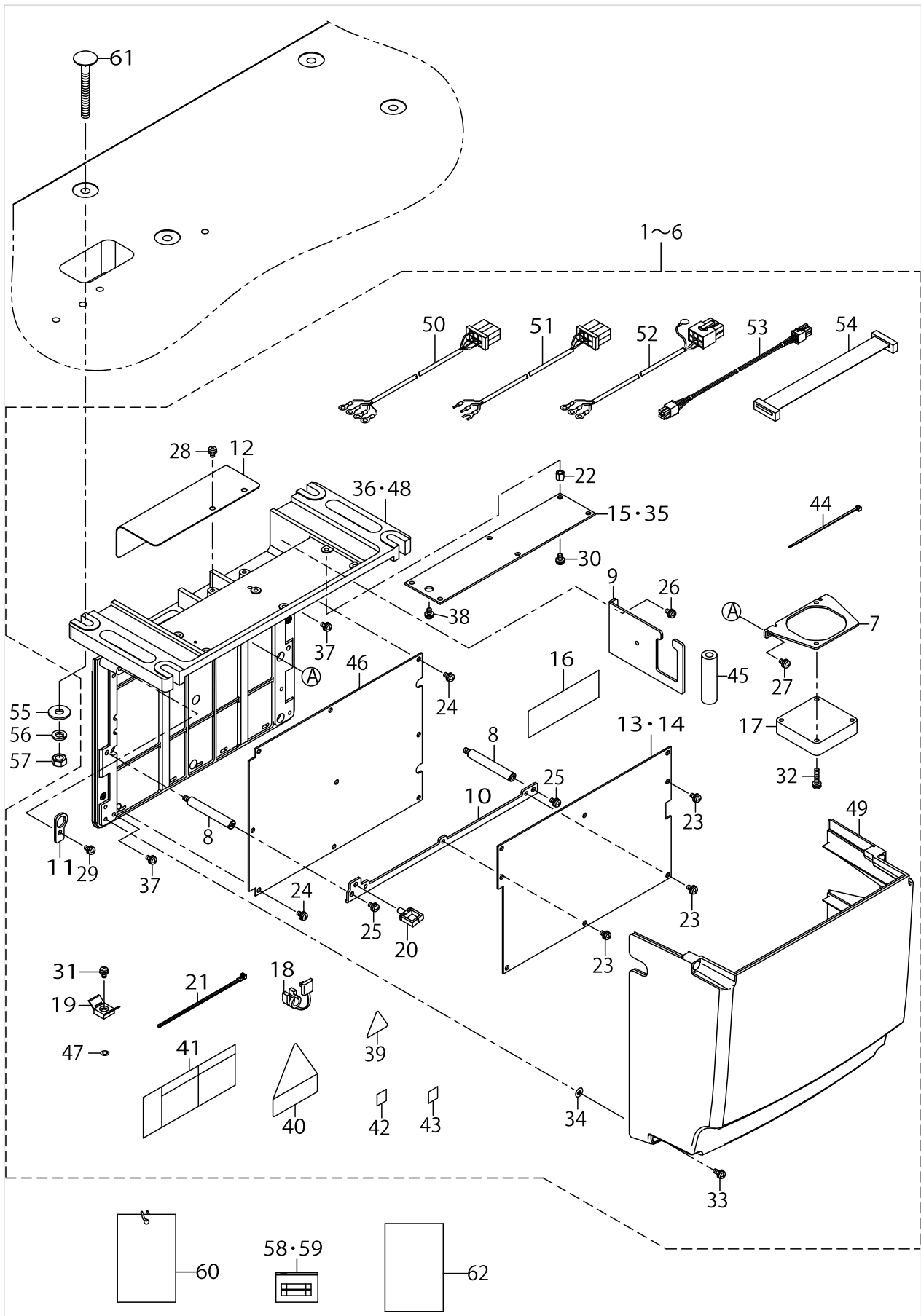
CONTROL BOX COMPONENTS



CONTROL BOX COMPONENTS

No.	Supply Code	Parts No.	Replacement	Parts name	Remarks	Choice	Step	Level	Cons	Qty	Rep. QTY
1		40142663		CONTROLBOXAASM.	FOR 1-PH-ASE 220~240V					1	
2		40142664		CONTROLBOXBASM.	FOR 3-PH-ASE 200~240V					1	
3		40142665		CONTROLBOXCASM.	FOR 1-PH-ASE CE 220~240V					1	
4		40153140		CONTROLBOXAASM.	FOR 1-PH-ASE 220~240V(MC-672)					1	
5		40153141		CONTROLBOXBASM.	FOR 3-PH-ASE 200~240V(MC-672)					1	
6		40153142		CONTROLBOXCASM.	FOR 1-PH-ASE CE 220~240V(MC-672)					1	
7		40115874		FAN PLATE				*		1	
8		40143990		STUD				*		2	
9		40115876		PLATE B				*		1	
10		40115877		MAIN PLATE				*		1	
11		40115878		PLATE C				*		1	
12		40115879		FAN COVER				*		1	
13		40137360		MAIN PCB ASSY				*	☆	1	
14		40152920		MAIN PCB ASSY	FORMC-672			*	☆	1	
15		40105465		FLT-T PCB ASSY	FOR 3-PH-ASE 200~240V(MC-670), 3-PH-ASE 200~240V(MC-672)			*		1	
16		40114398		MAIN COOL SHEET				*		2	
17		40111214		FAN MOTOR ASSY				*		1	
18		KX000000320		BUSH				*		1	
19		KX000000260		SADDLE TYPE TIE MOUNT				*		1	
20		HX00222000D		WIRE SADDLE				*		1	
21		HX00292000A		CONNECTING PART				*		1	
22		HX00339000M		SPACER	FOR 3-PH-ASE 200~240V, 1-PHASE CE 220~240V			*		6	
23		SL4040881SC		SCREW M4 L=8				*		8	
24		SL4040881SC		SCREW M4 L=8				*		4	
25		SL4040881SC		SCREW M4 L=8				*		2	
26		SL4040881SC		SCREW M4 L=8				*		2	
27		SL4040881SC		SCREW M4 L=8				*		2	
28		SL4040881SC		SCREW M4 L=8				*		2	
29		SL4040881SC		SCREW M4 L=8				*		1	
30		SL4040881SC		SCREW M4 L=8	FOR 3-PH-ASE 200~240V, 1-PHASE CE 220~240V			*		6	
31		SL4040881SC		SCREW M4 L=8				*		1	
32		SL4042091SC		SCREW M4X0.7 L=20				*		2	
33		SL4041281SC		SCREW M4X0.7 L=12				*		4	
34		M8002430000		STOPPER				*		4	

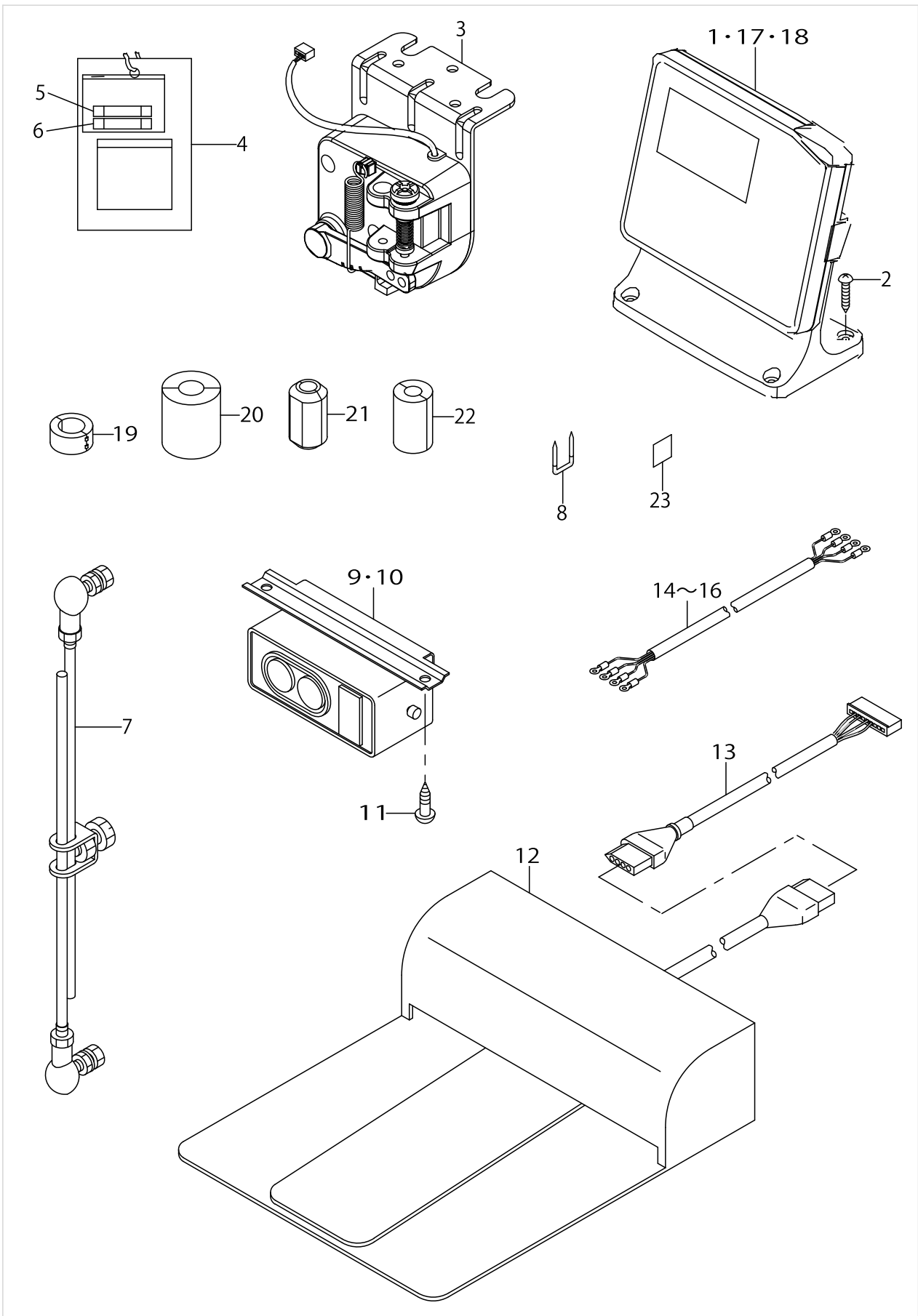
CONTROL BOX COMPONENTS



CONTROL BOX COMPONENTS

No.	Supply Code	Parts No.	Replacement	Parts name	Remarks	Choice	Step	Level	Cons	Qty	Rep. QTY
35		40145901		FLT-CE PCB ASSY	FOR 1-PHASE CE 220~240V(MC-670) , 1-PHASE CE 220~240V(MC-672)			*		1	
36		40143988		FRAME A	FOR 1-PHASE 220~240V			*		1	
37		SL4040881SC		SCREW M4 L=8				*		3	
38		SL4030881SC		SCREW M3 L=8	FOR 3-PHASE 200~240V			*		1	
39		CM300100001		LABEL	FOR 1-PHASE 220~240V, 1-PHASE CE 220~240V, 1-PHASE 220~240V-(FOR CHINA)			*		1	
40		CM300400602		VOLTAGE CAUTION LABEL L=25				*		1	
41		CM300100402		VOLTAGE DANGER LABEL 3 (SMALL)	FOR 3-PHASE 200~240V			*		1	
42		CM600100101		WEEE MARK LABEL S	FOR 1-PHASE CE 220~240V			*		1	
43		40150131		EAC_MARK_LABEL_S	FOR 1-PHASE CE 220~240V			*		1	
44		EA9500B0100		CABLE BAND				*		1	
45	D	E8760452S00		TUBE				*		0.055	
46		40142267		SDC PCB ASSY				*		1	
47		WP0430800SC		WASHER M4	FOR 3-PHASE 200~240V, 1-PHASE CE 220~240V			*		1	
48		40143989		FRAME B	FOR 3-PHASE 200~240V, 1-PHASE CE 220~240V			*		1	
49		40114136		COVER				*		1	
50		40141488		AC_POWER_CORD_B_ASM				*		1	
51		40146295		AC_POWER_CORD_C_L_ASM				*		1	
52		40141487		AC POWER CORD A ASM				*		1	
53		40114373		SDC-MAIN P1 CORD ASM				*		1	
54		40114375		SDC-MAIN S CORD ASM				*		1	
55		WP0852086SC		WASHER M8						4	
56		WS0820002KR		SPRING WASHER M8						4	
57		NM6080002SC		NUT M8						4	
58		HF0013050P0		FUSE 5A						1	
59		HF003000200		FUSE 2A (220/240V)						1	
60		M300451100A		VOLTAGE INDICATION CARD A						1	
61		MTSHJ100003		BOLT						4	
62		40144511		CORE SET UP MANUAL	FOR 1-PHASE CE 220~240V					1	

OPERATION PANEL COMPONENTS



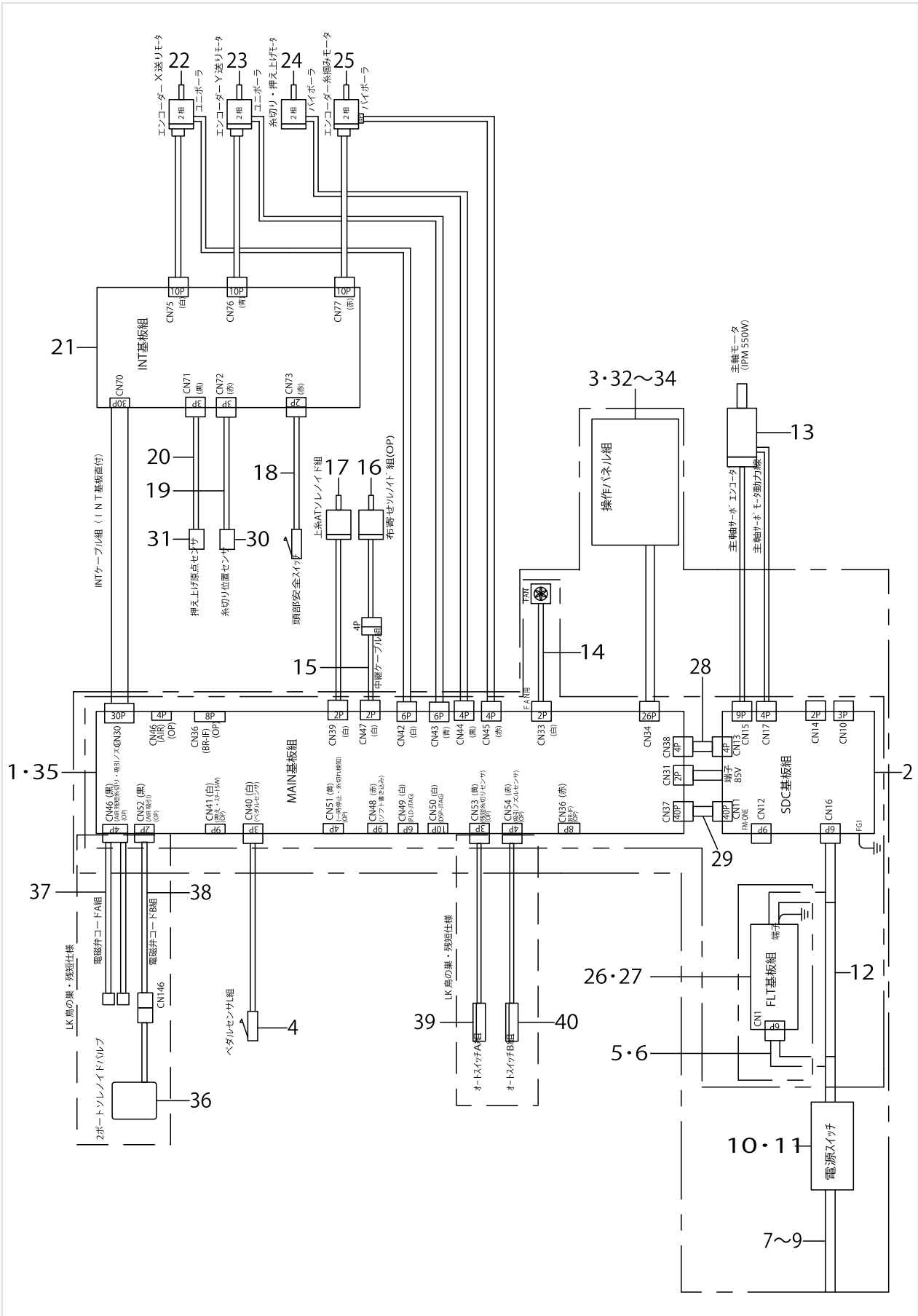
OPERATION PANEL COMPONENTS

No.	Supply Code	Parts No.	Replacement	Parts name	Remarks	Choice	Step	Level	Cons	Qty	Rep. QTY
1		40142272		OPERATION BOX ASSY						1	
2		SK3382001SE		SCREW D=3.8 L=20						4	
3		40146296		PEDALSENSORLASM						1	
4		M300451100A		VOLTAGE INDICATION CARD A						1	
5		HF003000200		FUSE 2A (220/240V)						1	
6		HF0013050P0		FUSE 5A						1	
7		40042134		CONNECING_ROD_ASSY						1	
8		MA011532000		CORD STAPLE						3	
9		HA004250000		SWITCH	FOR 3-PH-ASE 200~240V (USE IN JAPAN & JA)					1	
10		40113427		POWER SWITCH	FOR 1-PH-ASE 200~240V (GENERAL EXPORT & CHINA)					1	
11		SK3512001SE		WOOD SCREW D=5.1 L=20						2	
12		GPK570010B0		PEDAL SWITCH ASM.	OPTIONAL PARTS					1	
13		M90135900A0		PK57 TRANSFER CABLE ASM.	OPTIONAL PARTS					1	
14		M90175800A0		POWER CABLE ASM.	FOR 3-PH-ASE 200~240V (USE IN JAPAN & JA)					1	
15		40005390		CE POWER CABLE ASM.	1-PHASE CE 200~240V					1	
16		40023371		SINGLE PHASE POWER CORD ASSY	FOR 1-PH-ASE 200~240V (GENERAL EXPORT & CHINA)					1	
17		40152933		PUB OPERATION BOX ASSY	FOR 3-PH-ASE 200~240V (USE IN JAPAN & JA), 1-PH-ASE 200~240V (GENERAL EXPORT & CHINA) MC-672					1	
18		40146292		CE OPERATION BOX ASSY	FOR 1-PH-ASE CE 200~240V(MC-672)					1	
19		HN002460000		CORES	1-PHASE CE 200~240V					2	
20		HN001490000		CLAMP FILTER(L)	1-PHASE CE 200~240V					1	
21		HN002840000		CORES	1-PHASE CE 200~240V					1	
22		HN00149000A		CLAMP FILTER	1-PHASE CE 200~240V					1	
23		CM600100101		WEEE MARK LABEL S	1-PHASE CE 200~240V					1	

WIRING DIAGRAM

No.	Supply Code	Parts No.	Replacement	Parts name	Remarks	Choice	Step	Level	Cons	Qty	Rep. QTY
1		40137360		MAIN PCB ASSY						1	
2		40142267		SDC PCB ASSY						1	
3		40142272		OPERATION BOX ASSY						1	
4		40146296		PEDALSENSORLASM						1	
5		40141488		AC POWER CORD B ASM.	FOR 3-PH-ASE 200~240V (USE IN JAPAN & JA)					1	
6		40146295		AC POWER CORD C L ASM	FOR 1-PH-ASE CE 200~240V					1	
7		M90175800A0		POWER CABLE ASM.	FOR 3-PH-ASE 200~240V (USE IN JAPAN & JA)					1	
8		40005390		JE POWER CABLE ASM.	FOR 1-PH-ASE CE 200~240V					1	
9		40023371		SINGLE PHASE POWER CORD ASSY	FOR 1-PH-ASE 200~240V (GENERAL EXPORT & CHINA)					1	
10		HA004250000		SWITCH	FOR 3-PH-ASE 200~240V (USE IN JAPAN & JA)					1	
11		40113427		POWER SWITCH	FOR 1-PH-ASE 200~240V (GENERAL EXPORT & CHINA)					1	
12		40141487		AC POWER CORD A ASM.	FOR 1-PH-ASE 200~240V (GENERAL EXPORT & CHINA)					1	
13		40138137		IPM550W MOTOR						1	
14		40111214		FAN MOTOR ASSY						1	
15		40005728		SOLENOID RELAY CABLE ASM.						1	
16		40006912		SOLENOID FOR PICK UP ASM.						1	
17		40142273		AT SOLENOID						1	
18		40006495		SAFETY_SW_ASM.						1	
19		40142747		TT SENSOR CABLE ASM.						1	
20		40005732		PF SENSOR CABLE ASM.						1	
21		40137370		INT PCB ASM.						1	
22		40139176		X FEED MOTOR						1	
23		40139177		Y FEED MOTOR						1	
24		40139178		PRESSER LIFTING MOTOR						1	
25		40139179		THREAD CLAMP MOTOR						1	
26		40105465		FLT-T PCB ASSY	FOR 3-PH-ASE 200~240V (USE IN JAPAN & JA)					1	
27		40145901		FLT-CE PCB ASSY	FOR 1-PH-ASE CE 200~240V					1	
28		40114373		SDC-MAIN P1 CORD ASM.						1	
29		40114375		SDC-MAIN S CORD ASM.						1	
30		HD002230000		PHOTO SENSOR						1	
31		HD00057000A		PHOTO SENSOR						1	
32		40152933		PUB OPERATION BOX ASSY	MC-672 E-XCEPT CE					1	

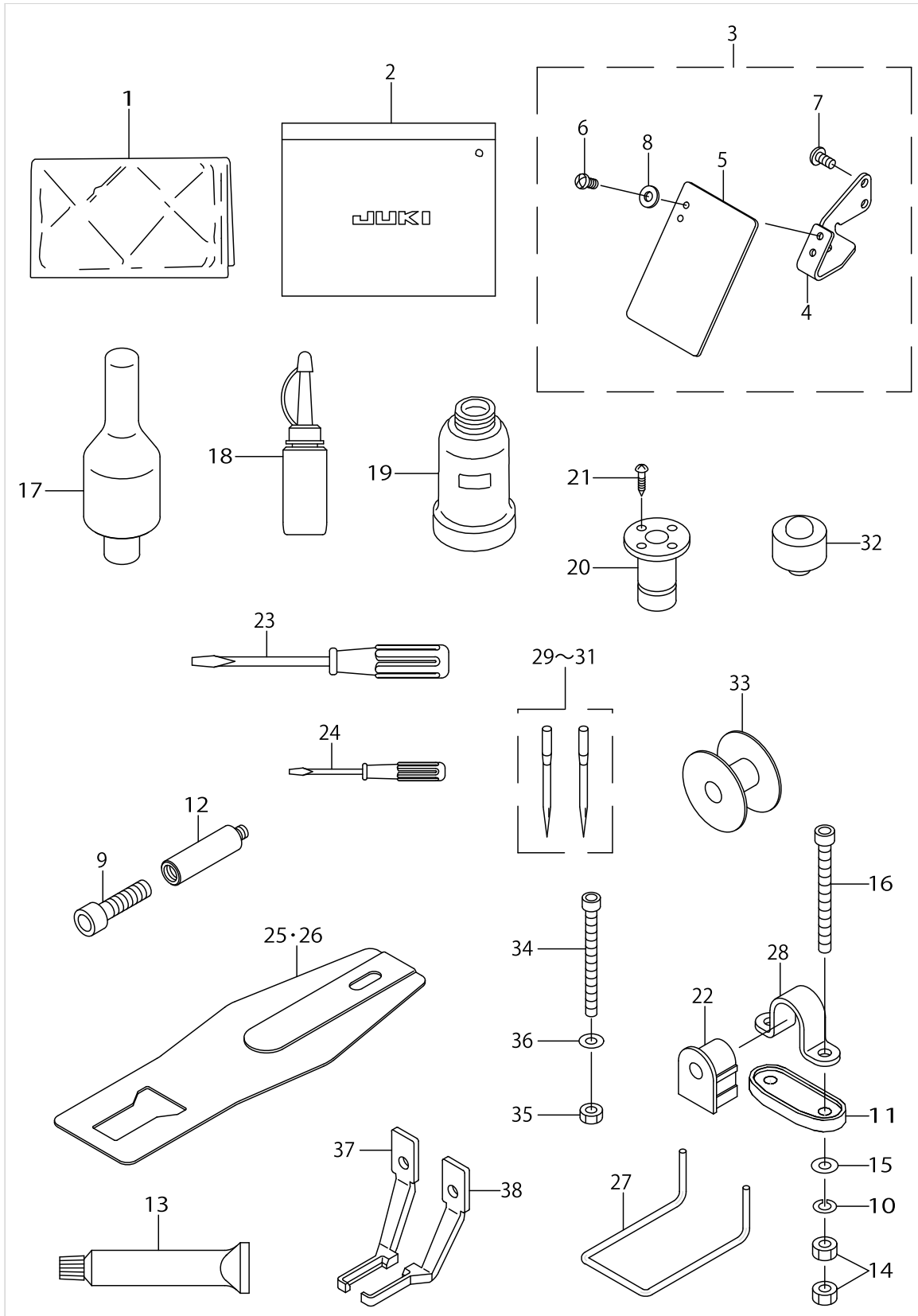
WIRING DIAGRAM



WIRING DIAGRAM

No.	Supply Code	Parts No.	Replacement	Parts name	Remarks	Choice	Step	Level	Cons	Qty	Rep. QTY
33		40146292		CE OPERATION BOX ASSY	FOR MC-672 CE					1	
34		40144886		IP-420U PANEL ASSY	FOR IP PANEL					1	
35		40152920		MAIN PCB ASSY	FORMC-672					1	
36		PV120205000		2-PORT SOLENOID VALVE						1	
37		40153196		AIR SOLENOID VAL- VE CORD A ASM						1	
38		40153197		AIR SOLENOID VAL- VE CORD B ASM						1	
39		40153194		AUTO SWITCH A ASM						1	
40		40153195		AUTO SWITCH B ASM						1	

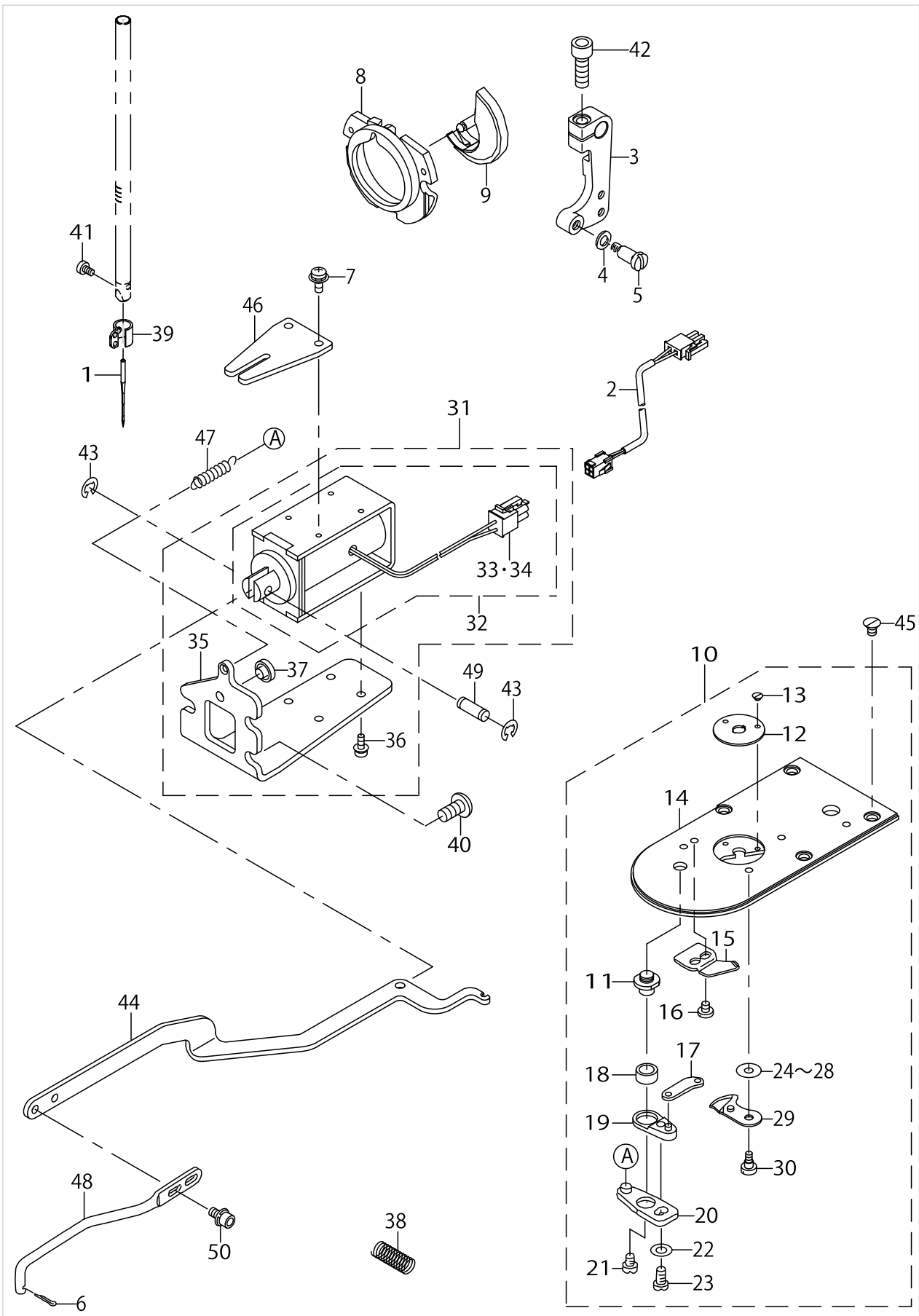
ACCESSORIE PARTS COMPONENTS



ACCESSORIE PARTS COMPONENTS

No.	Supply Code	Parts No.	Replacement	Parts name	Remarks	Choice	Step	Level	Cons	Qty	Rep. QTY
1		40048536		HEAD_COVER						1	
2		22932800		ACCESSORIE BAG						1	
3		40006484		SAFETY PLATE ASM.						1	
4		40051987		SAFETY PLATE BASE				*		1	
5		26037200		SAFETY PLATE				*		1	
6		SM4040655SP		SCREW M4 L=6				*		2	
7		SM4040855SP		SCREW				*		2	
8		WP0450801SD		WASHER 4.5X10X0.8				*		2	
9		SM6083002TN		SCREW M8 L=30						1	
10		WS0610002KN		SPRING WASHER 6.1X12.2X1.5						4	
11		40016195		BED_HINGE_RUBBER						2	
12		40036110		GREASE JOINT B						1	
13		40006323		JUKI GREASE A TUBE					☆	1	
14		NM6060001SC		NUT M6						8	
15		WP0651646SC		WASHER						4	
16		SM6066002TN		BOLT M6 L=60						4	
17		14101208		HEAD SUPPORT BAR						1	
18		B91212200A0		OILER (CONTAINING NO.2 OIL)						1	
19		B9121012000		OIL CAN						1	
20		B8202205000		OIL MANAGEMENT						1	
21		SK3311601SE		WOOD SCREW D=3.1 L=16						2	
22		40110844		HINGE_RUBBER						2	
23		22933105		SCREW DRIVER (MIDDLE)						1	
24		22933204		SCREW DRIVER (SMALL)						1	
25		14116503		FEED PLATE E	FOR LK-1900BF,BB					1	
26		14116909		FEED PLATE I	FOR LK-19-00BF(EXCEPT BB)					1	
27		13573407		FINGER GUARD	FOR LK-1900BF					1	
28		B1111210D00		BED HINGE						2	
29	R	MDP500B1402	MDP500B1400	NEEDLE DPX5#14-2	FOR LK-1900BS				☆	1	1.00
30		MDP170B2102		NEEDLE DPX17#21-2	FOR LK-1900BH,BW				☆	1	
31		MDP500B1102		DPX5#11-2	FOR LK-1900BF,BM				☆	1	
32		40016194		FRAME_SUPPORT_RUBBER						2	
33		13812102		BOBBIN					☆	1	
34		SM6066002TN		BOLT M6 L=60						1	
35		NM6060001SC		NUT M6						1	
36		WP0651646SC		WASHER						1	
37	R	13571906	13571955	CLOTH PRESSER FOOT (RIGHT)	FOR LK-1900BF					1	1.00
38	R	13572003	13571955	CLOTH PRESSER FOOT (LEFT)	FOR LK-1900BF					1	1.00

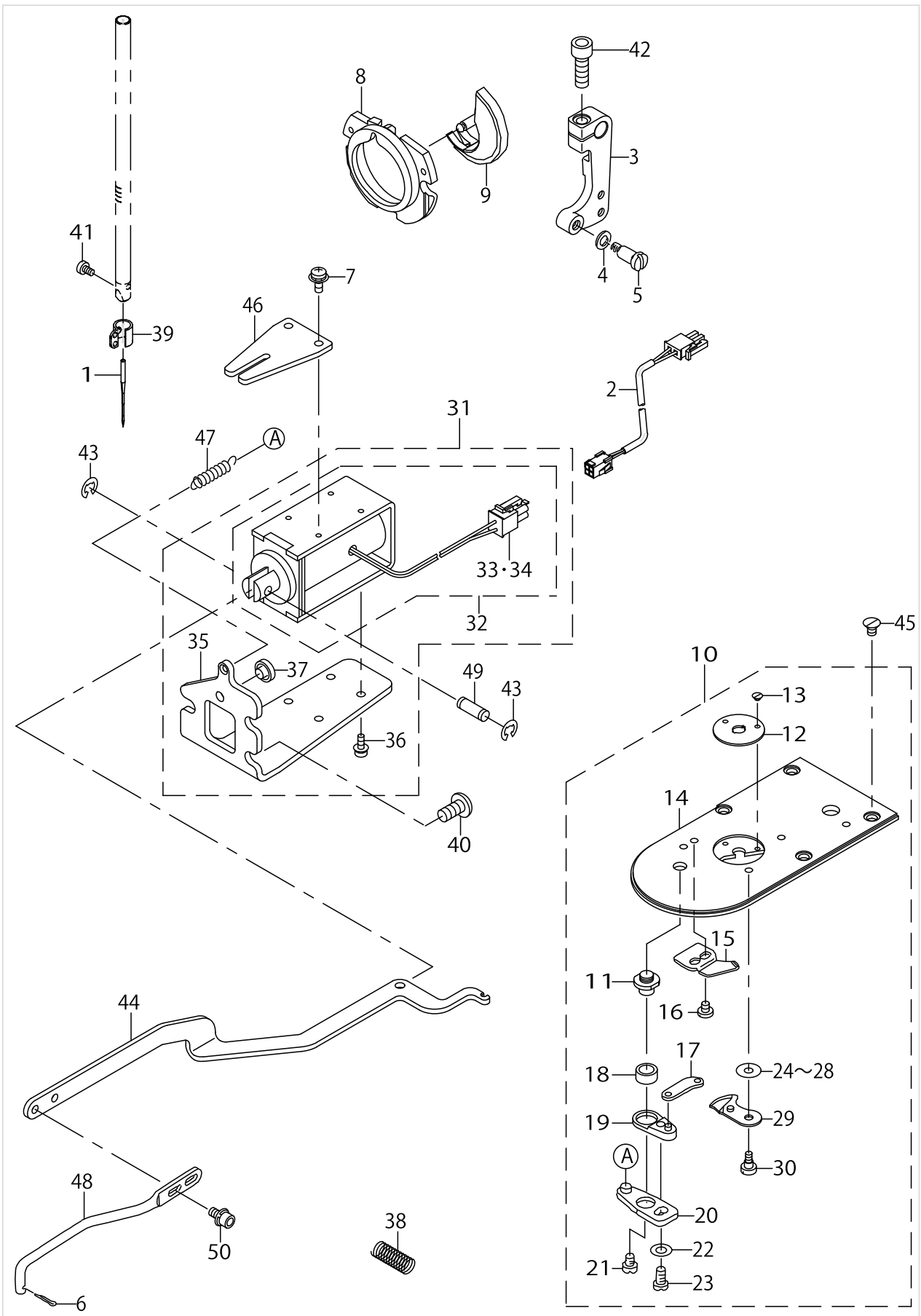
EXCLUSIVE PARTS FOR LK-1901BS (1)



EXCLUSIVE PARTS FOR LK-1901BS (1)

No.	Supply Code	Parts No.	Replacement	Parts name	Remarks	Choice	Step	Level	Cons	Qty	Rep. QTY
1		MDP500B1400		NEEDLE DPX5 #14					☆	1	
2		40005728		SOLENOID RELAY CABLE ASM.						1	
3		40011949		CONNECTING ARM B						1	
4		WP0651056SH		WASHER 6.5X11X1						1	
5		SD1201506TP		SHOULDER SCREW						1	
6		PD02010000B		SPLIT PIN						1	
7		SL4030681SC		SCREW M3 L=6						2	
8		14103352		INNER HOOK PRESSER ASM. B						1	
9		40110846		SHUTTLE					☆	1	
10		40142720		NEEDLEPLATEASM.A						1	
11		B2417280000		THREAD CUTTER LEVER SHAFT				*		1	
12		B2426280000		NEEDLE HOLE GUIDE				*	☆	1	
13		SS1060210TP		SCREW 3/32-56 L=2.2				*		2	
14		40142725		NEEDLE PLATE				*		1	
15		B2424280000		FIXING KNIFE				*	☆	1	
16		SS7090410SP		SCREW 9/64-40 L=3.5				*		1	
17		B2418280000		MOVING KNIFE LINK				*		1	
18		B2416280000		THREAD CUTTING LEVER RING				*		1	
19		B24152800A0		THREAD CUTTER L- EVER ASM. (SMALL)				*		1	
20		B24142800A0		THREAD CUTTER L- EVER ASM. (LARGE)				*		1	
21		SS6110430TP		SCREW 11/64-40 L=4.0				*		1	
22		WP0450846SP		WASHER				*		1	
23		SS7110740TP		SCREW 11/64-40 L=7				*		1	
24		B242328000C		MOVING KNIFE WASHER C	SELECTIVE PARTS			*		1	
25		B242328000A		MOVING KNIFE WASHER A	SELECTIVE PARTS			*		1	
26		B242328000B		MOVING KNIFE WASHER B	SELECTIVE PARTS			*		1	
27		B242328000D		MOVING KNIFE WASHER D	SELECTIVE PARTS			*		1	
28		B242328000E		MOVING KNIFE WASHER E	SELECTIVE PARTS			*		1	
29		B24212800A0		MOVING KNIFE ASM.				*	☆	1	
30		SD0500091TP		HINGE SCREW D=5.0 H=0.9				*		1	
31		40006912		SOLENOID FOR PICK UP ASM.						1	
32		14141758		SOLENOID FOR PICK-UP COMPL.				*		1	
33		HK03461004A		HOUSING BLUE 4P				*		1	
34		HK034640000		PIN CONTACT				*		2	
35		40006913		SOLENOID INSTALLING BASE				*		1	
36		SL4030881SC		SCREW M3X8				*		4	
37		12258000		BUSH				*		1	
38		14148407		VERTICAL FEED SHAFT SPRING						2	
39	R	40006525	40010574	NEEDLE BAR THREAD GUIDE					☆	1	1.00
40		SM4061255SP		SCREW M6 L=12						3	
41		SM6030500SN		SCREW M3 L=5					☆	1	
42		SM6061802TP		SCREW M6 L=18						1	
43		RC0410415KP		C-RING						2	
44		40006914		WORK CLAMP CONNECTING LINK						1	
45		SM1040650TP		SCREW						4	

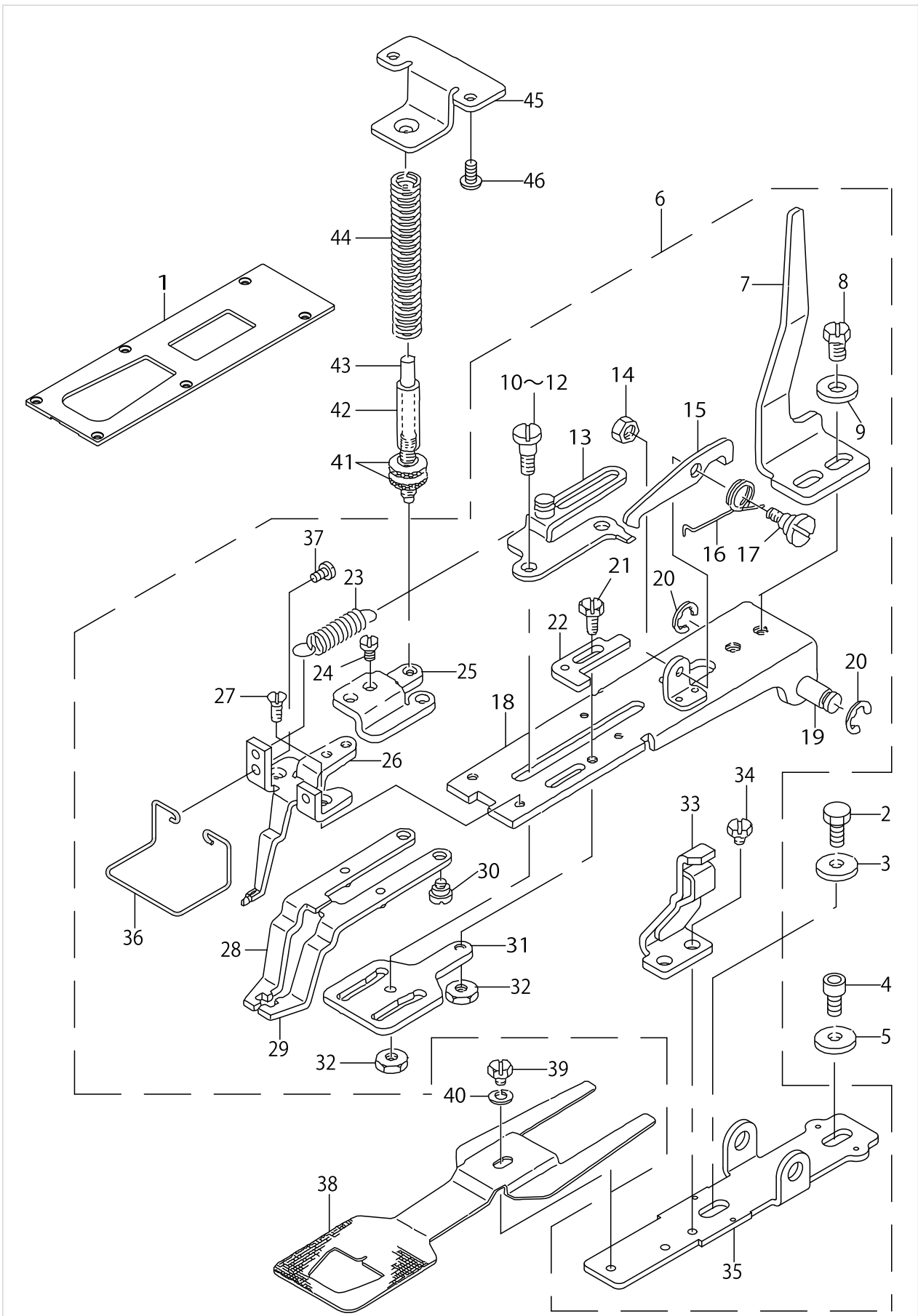
EXCLUSIVE PARTS FOR LK-1901BS (1)



EXCLUSIVE PARTS FOR LK-1901BS (1)

No.	Supply Code	Parts No.	Replacement	Parts name	Remarks	Choice	Step	Level	Cons	Qty	Rep. QTY
46		14142103		CONNECTING LINK GUIDE						1	
47		B1657506E00		SPRING						1	
48		13540604		DRIVING BAR B						1	
49		B302745000B		PIN						1	
50		SL6040892TN		BOLT						2	

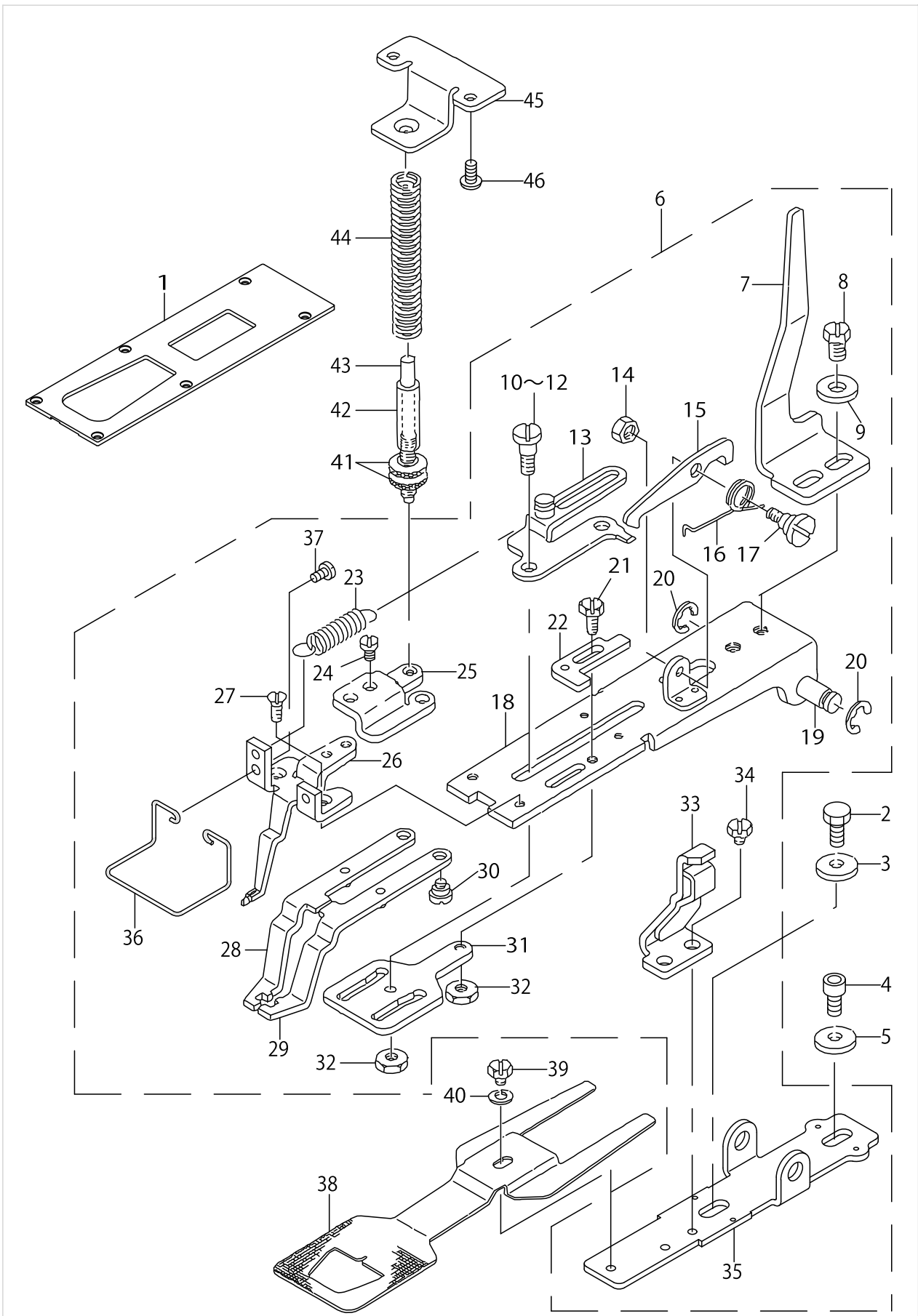
EXCLUSIVE PARTS FOR LK-1901BS (2)



EXCLUSIVE PARTS FOR LK-1901BS (2)

No.	Supply Code	Parts No.	Replacement	Parts name	Remarks	Choice	Step	Level	Cons	Qty	Rep. QTY
1		40006935		CLOTH FEED PRESSER PLATE B						1	
2		SM9061403CP		SCREW M6 L=14						1	
3		WP0612516SD		WASHER 6.1X15.2X2.5						1	
4		SM6061202TP		SCREW M6 L=12						1	
5		WP0612516SD		WASHER 6.1X15.2X2.5						1	
6		14140255		WORK CLAMP FOOT BRACKET COMPL.						1	
7		13541404		WORK CLAMP FOOT LIFTING PLATE				*		1	
8		SS9151120CP		SCREW 15/64-28L=11				*		2	
9		WP0612516SD		WASHER 6.1X15.2X2.5				*		2	
10		D2545232D0A		HINGE SCREW	SELECTIVE PARTS			*		2	
11		D2545232D0B		HINGE SCREW	SELECTIVE PARTS			*		2	
12	R	D2545232D0C	D2545232D0A	HINGE SCREW	SELECTIVE PARTS			*		2	1.00
13		14141055		PULLING PLATE COMPL.				*		1	
14		NS6110530SP		NUT 11/64-40				*		1	
15		14141105		FIXING HOOK				*		1	
16		D2512232D00		TORSION SPRING				*		1	
17		D2511232D00		SCREW				*		1	
18		14140354		INSTALLING BASE COMPL.				*		1	
19		14141402		INSTALLING SHAFT				*		1	
20		RE0700000K0		E-RING 7				*		2	
21		SS9110920CP		SCREW 11/64-40 L=9				*		1	
22		14140909		ADJUSTING PLATE				*		1	
23		D2515232D00		TORSION SPRING				*		1	
24		SS7110510SP		SCREW 11/64-40 L=5				*		2	
25		13541107		WORK CLAMP FOOT SPRING HOLDER				*		1	
26		14140552		PICK-UP GUIDE COMPL.				*		1	
27		SS1110640TP		SCREW 11/64-40 L=5.5				*		2	
28		D2520232DA0		WORK CLAMP FOOT ASM. (LEFT)				*		1	
29		D2521232DA0		WORK CLAMP FOOT ASM. (RIGHT)				*		1	
30		SD0550271TP		HINGE SCREW D=5.50 H=2.7				*		2	
31		14141204		PLATE CAM				*		1	
32		NS6120480SP		NUT 3/16-28				*		2	
33		14140750		PREVENTING PLATE COMPL.				*		1	
34		SS9110460CP		SCREW 11/64-40 L=4				*		2	
35		14140206		PICK-UP INSTALLING BASE				*		1	
36		14141501		FINGER GUARD				*		1	
37		SS7090610SP		SCREW 9/64-40 L=6				*		2	
38		13541503		FEED PLATE						1	
39		SS9110460CP		SCREW 11/64-40 L=4						1	
40		WP0501016SD		WASHER 5X10.5X1						1	
41		B3117352000		THREAD TENSION POST NUT						2	
42		D2527232D00		SLEEVE						1	
43		D2528232D00		SHAFT						1	
44		D2529232D00		PRESSER SPRING						1	
45		13541602		WORK CLAMP FOOT SPRING HOLDER						1	

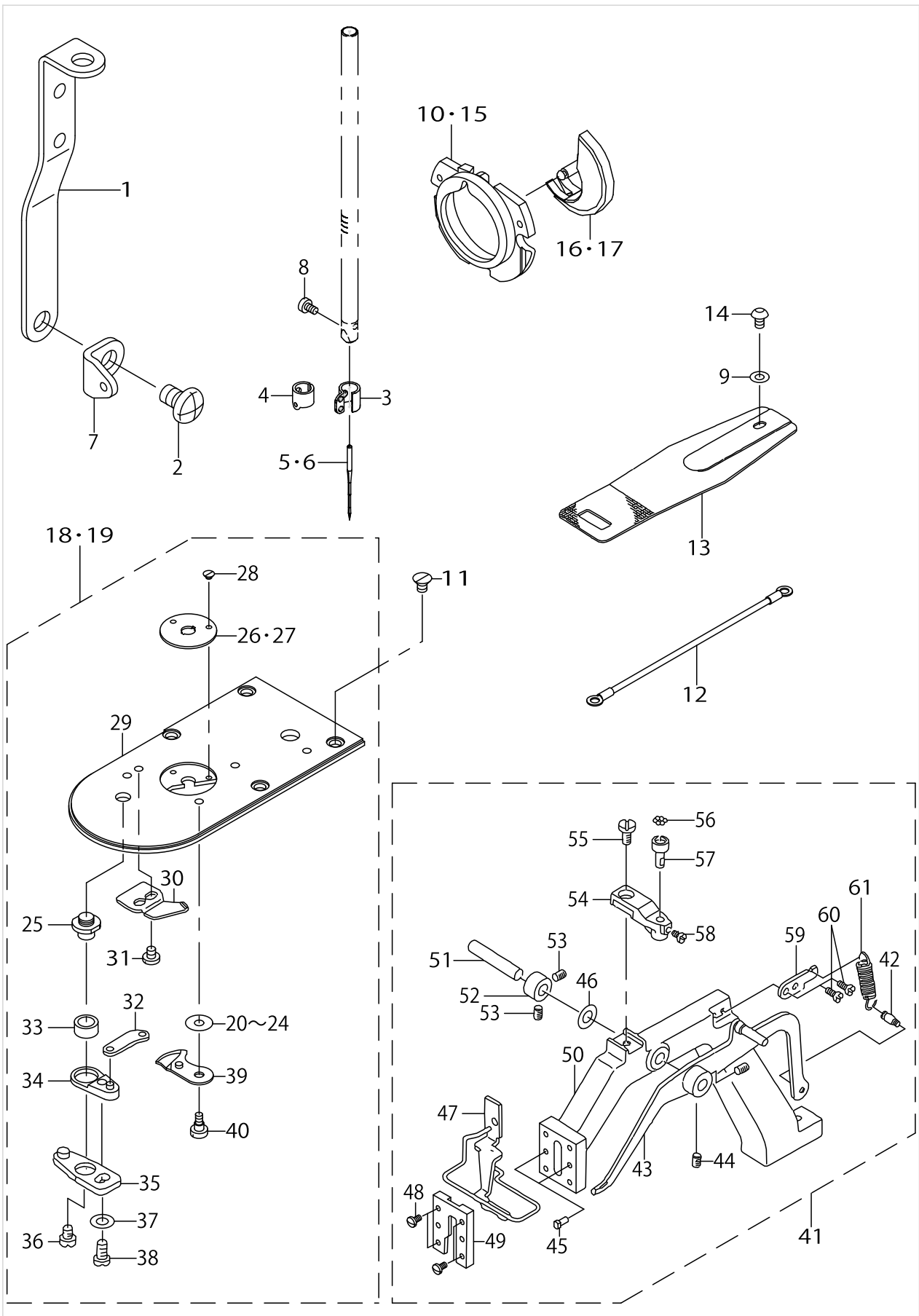
EXCLUSIVE PARTS FOR LK-1901BS (2)



EXCLUSIVE PARTS FOR LK-1901BS (2)

No.	Supply Code	Parts No.	Replacement	Parts name	Remarks	Choice	Step	Level	Cons	Qty	Rep. QTY
46		SM5040855SN		SCREW						2	

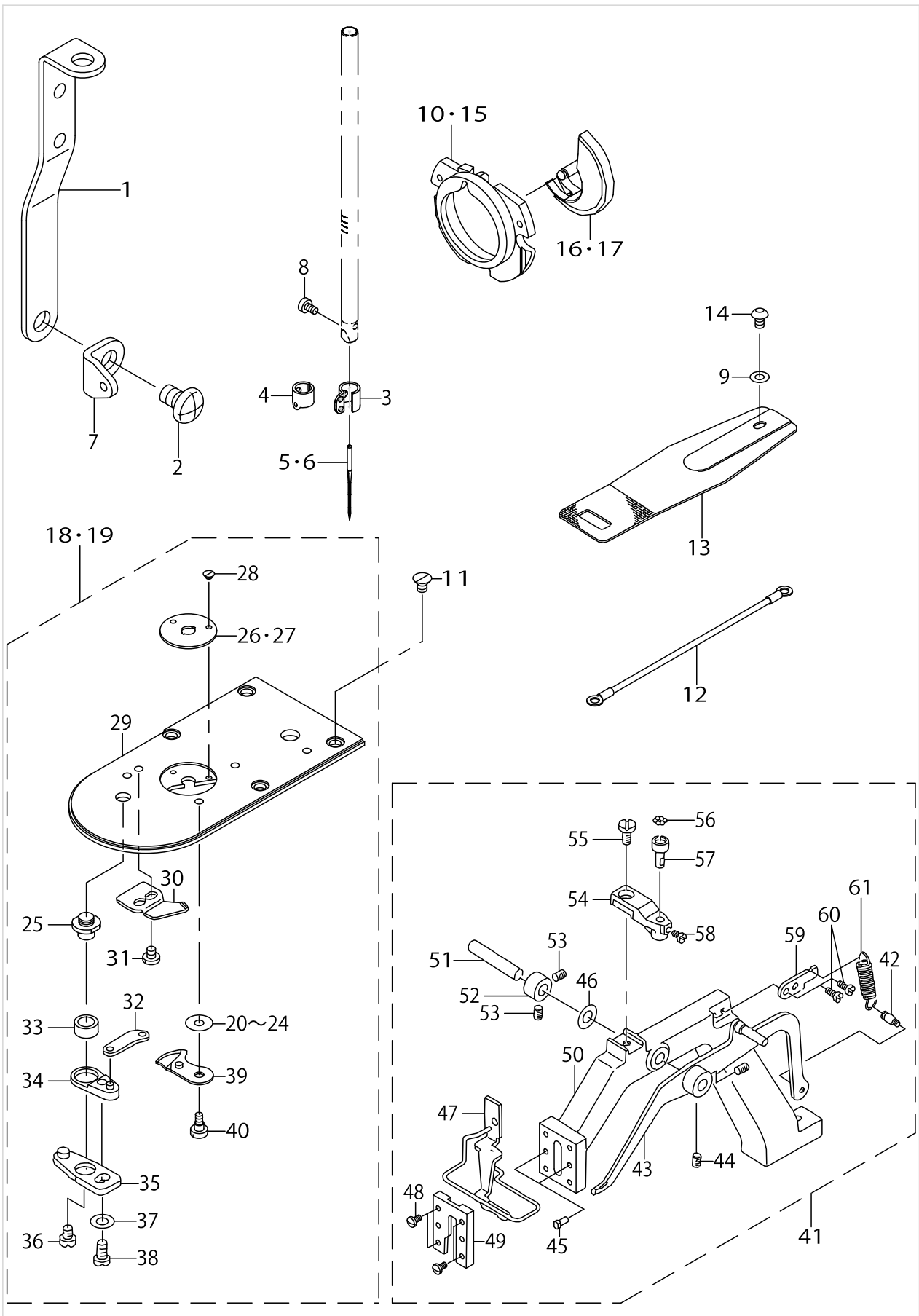
EXCLUSIVE PARTS FOR LK-1902BS,LK-1902BH



EXCLUSIVE PARTS FOR LK-1902BS,LK-1902BH

No.	Supply Code	Parts No.	Replacement	Parts name	Remarks	Choice	Step	Level	Cons	Qty	Rep. QTY
1		B1114581000		THREAD GUIDE PLATE						1	
2		SM4061255SP		SCREW M6 L=12						1	
3	R	40006525	40010574	NEEDLE BAR THREAD GUIDE	FOR LK-1902BS				☆	1	1.00
4		D1405L7AM00		NEEDLE BAR THREAD GUIDE	FOR LK-1902BH				☆	1	
5		MDP500B1400		NEEDLE DPX5 #14	FOR LK-1902BS				☆	1	
6		MDP170B2100		NEEDLE DPX17 #21	FOR LK-1902BH				☆	1	
7	R	13786306	40010414	THREAD GUIDE NO.1						1	1.00
8		SM6030500SN		SCREW M3 L=5					☆	1	
9		WP0621016SD		WASHER 6.2X13X1						1	
10		14103352		INNER HOOK PRESSER ASM. B	FOR LK-1902BS					1	
11		SM1040650TP		SCREW						4	
12		40005712		EARTH CORD ASM.						1	
13		14143002		FEED PLATE						1	
14		SM3061052TP		SCREW M6 L=10						1	
15		14103659		SHUTTLE RACE RING ASM. C	FOR LK-1902BH					1	
16		40110846		SHUTTLE	FOR LK-1902BS				☆	1	
17		40112995		SHUTTLE(H)	FOR LK-1902BH				☆	1	
18		40142720		NEEDLEPLATEASMA	FOR LK-1902BS					1	
19		40142721		NEEDLEPLATEASMH	FOR LK-1902BH					1	
20		B242328000C		MOVING KNIFE WASHER C	SELECTIVE PARTS			*		1	
21		B242328000A		MOVING KNIFE WASHER A	SELECTIVE PARTS			*		1	
22		B242328000B		MOVING KNIFE WASHER B	SELECTIVE PARTS			*		1	
23		B242328000D		MOVING KNIFE WASHER D	SELECTIVE PARTS			*		1	
24		B242328000E		MOVING KNIFE WASHER E	SELECTIVE PARTS			*		1	
25		B2417280000		THREAD CUTTER LEVER SHAFT				*		1	
26		B2426280000		NEEDLE HOLE GUIDE	FOR LK-1902BS			*	☆	1	
27		14109607		NEEDLE HOLE GUIDE	FOR LK-1902BH			*	☆	1	
28		SS1060210TP		SCREW 3/32-56 L=2.2				*		2	
29		40142725		NEEDLE PLATE				*		1	
30		B2424280000		FIXING KNIFE				*	☆	1	
31		SS7090410SP		SCREW 9/64-40 L=3.5				*		2	
32		B2418280000		MOVING KNIFE LINK				*		1	
33		B2416280000		THREAD CUTTING LEVER RING				*		1	
34		B24152800A0		THREAD CUTTER L- EVER ASM. (SMALL)				*		1	
35		B24142800A0		THREAD CUTTER L- EVER ASM. (LARGE)				*		1	
36		SS6110430TP		SCREW 11/64-40 L=4.0				*		1	
37		WP0450846SP		WASHER				*		1	
38		SS7110740TP		SCREW 11/64-40 L=7				*		1	
39		B24212800A0		MOVING KNIFE ASM.				*	☆	1	
40		SD0500091TP		HINGE SCREW D=5.0 H=0.9				*		1	
41	R	40090012	40104939	CLOTH FEED BASE ASM.						1	1.00
42		26229302		SUSPENSION SCREW				*		1	
43		13544051		LIFTING LEVER ASM.				*		1	
44		SS8150822TP		SCREW 15/64-28 L=8				*		2	
45		B1816280000		GUIDE PIN				*		2	

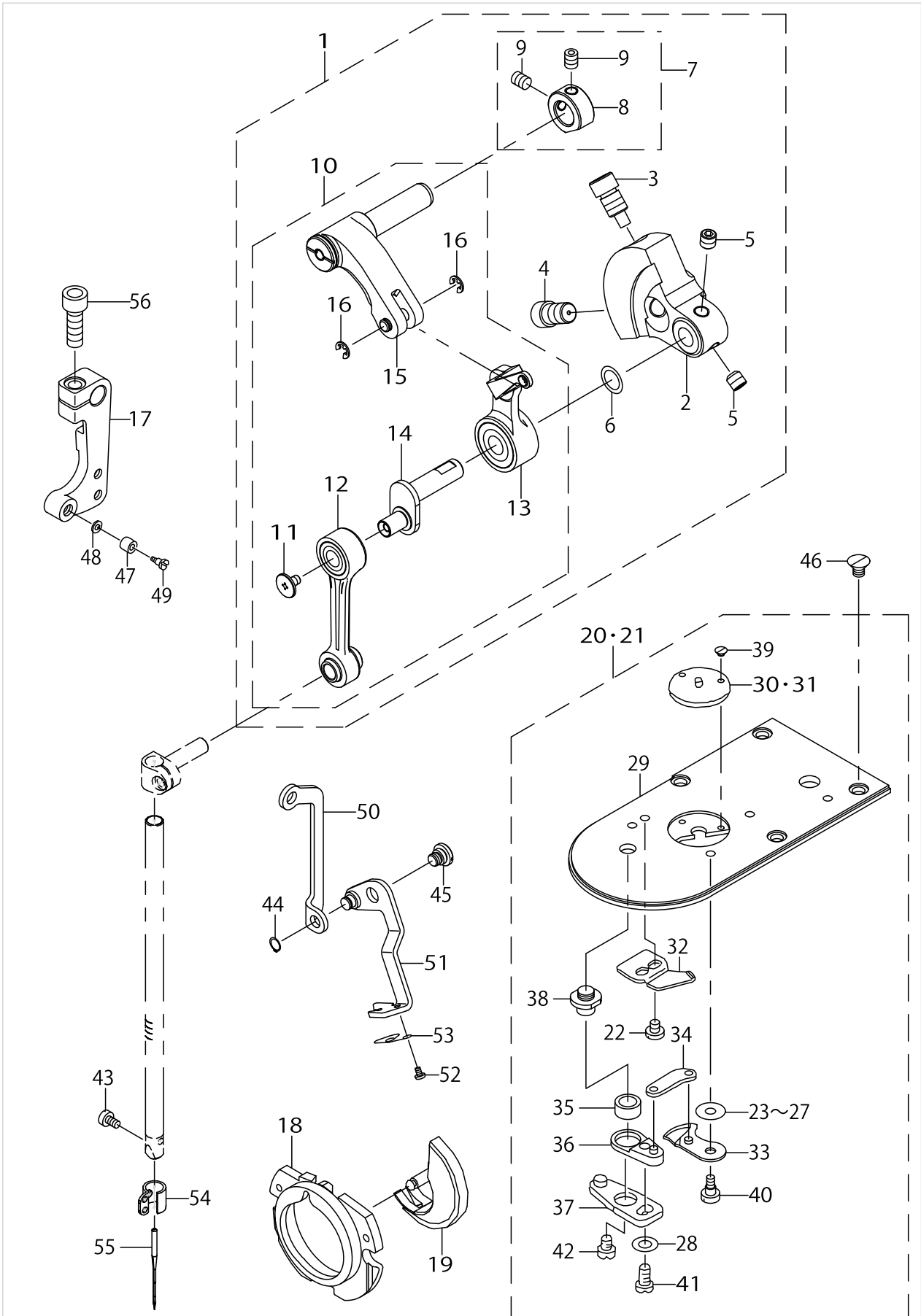
EXCLUSIVE PARTS FOR LK-1902BS,LK-1902BH



EXCLUSIVE PARTS FOR LK-1902BS,LK-1902BH

No.	Supply Code	Parts No.	Replacement	Parts name	Remarks	Choice	Step	Level	Cons	Qty	Rep. QTY
46		40090011		WASHER D				*		1	
47		13544465		CLOTH PRESSER FOOT ASM.				*		1	
48		SS7120910TP		SCREW 3/16-28 L=9				*		4	
49		13544614		CLOTH FEED BASE COVER				*		1	
50		13543715		CLOTH FEED BASE				*		1	
51		40089982		LIFTING LEVER SHAFT D				*		1	
52		40090010		THRUST COLLAR D				*		1	
53		SM8060612TP		SCREW M6 L=6				*		2	
54		13543806		BALL HOLDER				*		1	
55		SS7151210SP		SCREW15/64-28L=12				*		1	
56		B2549280000		WORK CLAMP FOOT MOUNTING BASE BALL				*		7	
57		26224808		BALL RETAINER				*		1	
58		SS7110740TP		SCREW 11/64-40 L=7				*		1	
59		13543905		SPRINGSUSPENSION				*		1	
60		SS6120940SP		SCREW 3/16-28 L=9				*		2	
61		13544705		SPRING				*		1	

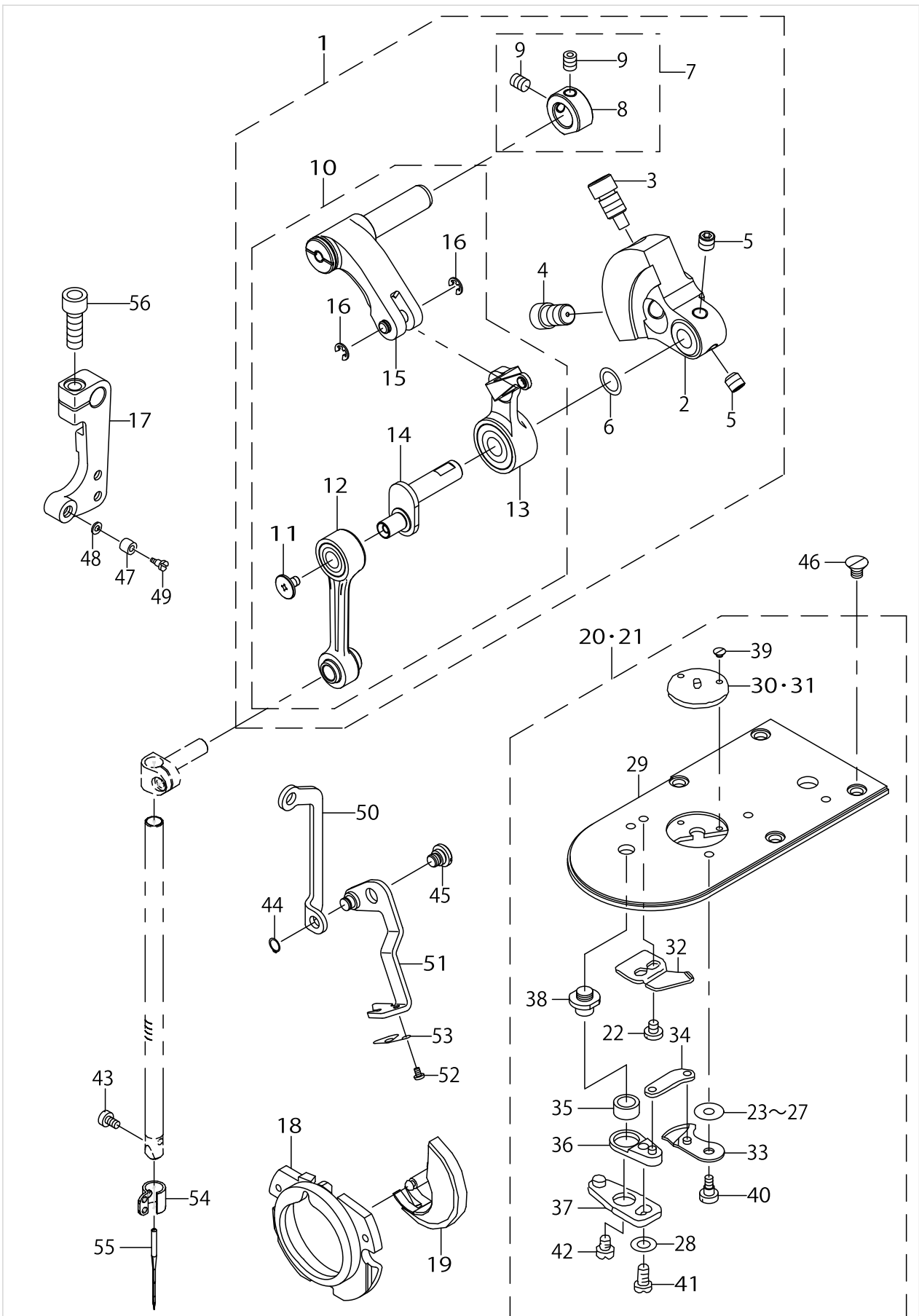
EXCLUSIVE PARTS FOR LK-1903BS-301,LK-1903BS-302(1)



EXCLUSIVE PARTS FOR LK-1903BS-301,LK-1903BS-302(1)

No.	Supply Code	Parts No.	Replacement	Parts name	Remarks	Choice	Step	Level	Cons	Qty	Rep. QTY
1		40142785		COUNTER_WEIGHT_COMPL_3						1	
2	R	40142691	40142689	COUNTER_WEIGHT		A	LK1900B	*		1	1.00
2	R	40142691	40142785	COUNTER_WEIGHT		B	LK1903B	*		1	1.00
3		40010424		COUNTER_WEIGHT_SCREW_A				*		1	
4		40010425		COUNTER_WEIGHT_SCREW_B				*		1	
5		40010426		COUNTER_WEIGHT_SCREW_C				*		1	
6		WP0820516SP		WASHER 11.6X8.2X0.6				*		1	
7		40110841		THRUST_COLLAR_ASM.				*		1	
8		40110842		THRUST_COLLAR				*		1	
9		SM80506A2TP		SCREW M5 L=6				*		2	
10	R	40142786	40142785	THREAD_TAKE_UP_COMPL_3				*		1	1.00
11	R	40142701	40142689	LEFT_HAND_SCREW				*		1	1.00
12	R	40142697	40142689	NEEDLE_BAR_CRANK_ROD_COMPL.		A	LK1900B	*		1	1.00
12	R	40142697	40142785	NEEDLE_BAR_CRANK_ROD_COMPL.		B	LK1903B	*		1	1.00
13		40142787		THREAD_TAKE_UP_ASM_3				*		1	
14		40142790		NEEDLE_BAR_CRANK_3				*		1	
15		40142807		TAKE_UP_CRANK_ASM_3				*		1	
16		RE0300000K0		E-RING 3				*		2	
17		40011949		CONNECTING ARM B						1	
18		14103352		INNER HOOK PRESSER ASM. B						1	
19		40110846		SHUTTLE					☆	1	
20		40142723		NEEDLE PLATE ASM. M	FOR LK-19-03BS-301					1	
21		40142724		NEEDLEPLATEASM.K	FOR LK-19-03BS-302					1	
22		SS7090410SP		SCREW 9/64-40 L=3.5				*		2	
23		B242328000A		MOVING KNIFE WASHER A	SELECTIVE PARTS			*		1	
24		B242328000B		MOVING KNIFE WASHER B	SELECTIVE PARTS			*		1	
25		B242328000C		MOVING KNIFE WASHER C	SELECTIVE PARTS			*		1	
26		B242328000D		MOVING KNIFE WASHER D	SELECTIVE PARTS			*		1	
27		B242328000E		MOVING KNIFE WASHER E	SELECTIVE PARTS			*		1	
28		WP0450846SP		WASHER				*		1	
29		40142725		NEEDLE PLATE				*		1	
30		MAZ15801000		GUIDE	FOR LK-19-03BS-301			*	☆	1	
31		MAZ15601000		GUIDE	FOR LK-19-03BS-302			*	☆	1	
32		B2424280000		FIXING KNIFE				*	☆	1	
33		B24212800A0		MOVING KNIFE ASM.				*	☆	1	
34		B2418280000		MOVING KNIFE LINK				*		1	
35		B2416280000		THREAD CUTTING LEVER RING				*		1	
36		B24152800A0		THREAD CUTTER L-EVER ASM. (SMALL)				*		1	
37		B24142800A0		THREAD CUTTER L-EVER ASM. (LARGE)				*		1	
38		B2417280000		THREAD CUTTER LEVER SHAFT				*		1	
39		SS1060210TP		SCREW 3/32-56 L=2.2				*		2	
40		SD0500091TP		HINGE SCREW D=5.0 H=0.9				*		1	
41		SS7110740TP		SCREW 11/64-40 L=7				*		1	
42		SS6110430TP		SCREW 11/64-40 L=4.0				*		1	

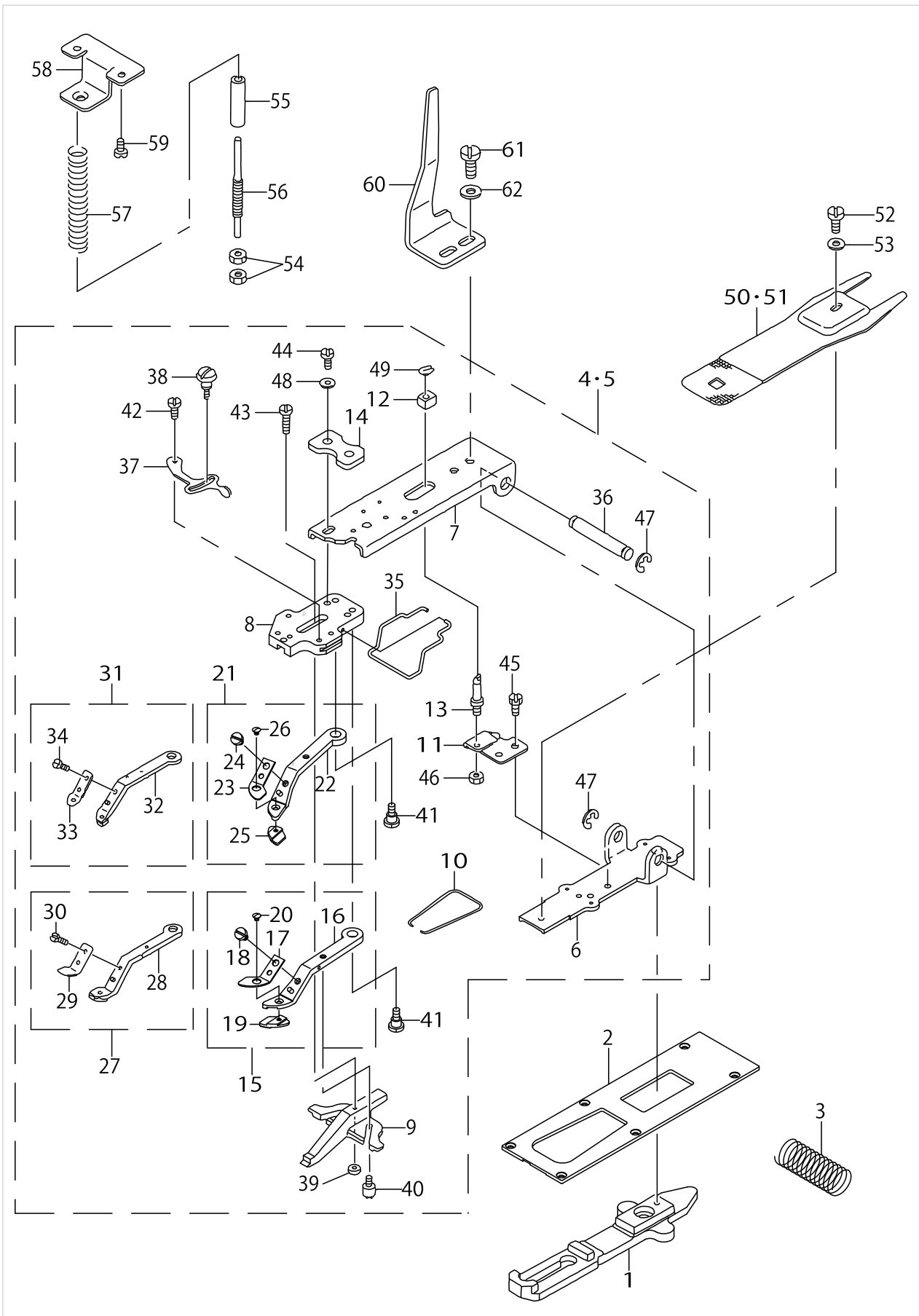
EXCLUSIVE PARTS FOR LK-1903BS-301,LK-1903BS-302(1)



EXCLUSIVE PARTS FOR LK-1903BS-301,LK-1903BS-302(1)

No.	Supply Code	Parts No.	Replacement	Parts name	Remarks	Choice	Step	Level	Cons	Qty	Rep. QTY
43		SM6030500SN		SCREW M3 L=5					☆	1	
44		RC0470611KP		RETAINING RING 4.7						1	
45		SD0640216TP		SHOULDER SCREW						1	
46		SM1040650TP		SCREW						4	
47	R	B2619372000	26028803	STOP MOTION TRIPPING LEVER CAM						1	1.00
48		B185351200E		HOOK SHAFT WASHER						1	
49		SD0791276TP		SHOULDER SCREW						1	
50		40006937		WIPER CONNECTING PLATE B						1	
51		40033047		WIPER ASM.						1	
52		SS5060310SP		SCREW 3/32-56 L=2.8						2	
53		40009860		WIPER THREAD CATCH SPRING					☆	1	
54	R	40006525	40010574	NEEDLE BAR THREAD GUIDE					☆	1	1.00
55		MDP170B1400		NEEDLE DPX17 #14					☆	1	
56		SM6061802TP		SCREW M6 L=18						1	

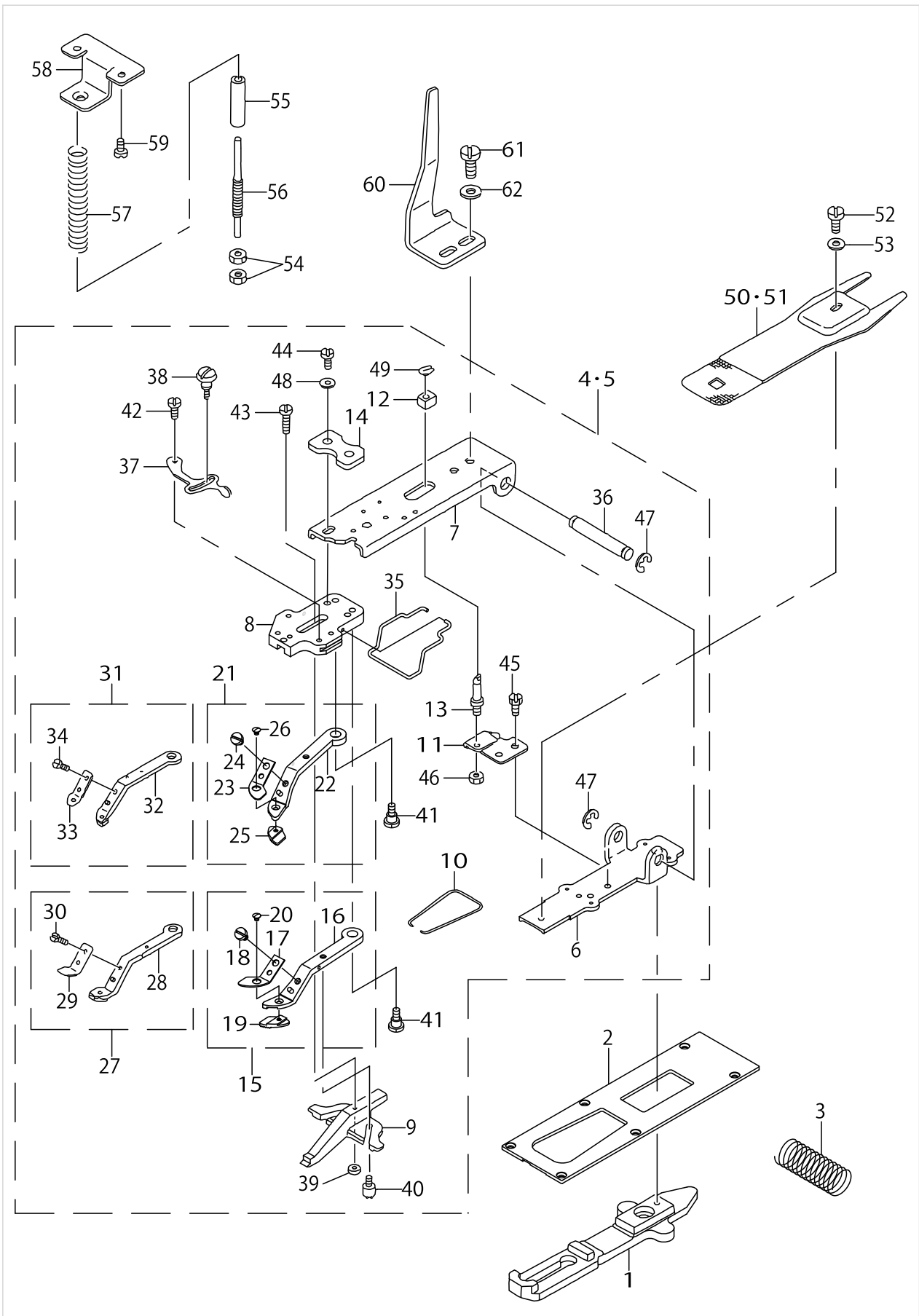
EXCLUSIVE PARTS FOR LK-1903BS-301,LK-1903BS-302(2)



EXCLUSIVE PARTS FOR LK-1903BS-301,LK-1903BS-302(2)

No.	Supply Code	Parts No.	Replacement	Parts name	Remarks	Choice	Step	Level	Cons	Qty	Rep. QTY
1		14145106		CLOTH FEED PLATE						1	
2		40006935		CLOTH FEED PRESSER PLATE B						1	
3		14148407		VERTICAL FEED SHAFT SPRING						1	
4		14145858		VERY SMALL CLAMP MECHANISM ASM.	FOR LK-19-03BS-301					1	
5		14145650		MEDIUM CLAMP MECHANISM ASM.	FOR LK-19-03BS-302					1	
6		14146104		PICK-UP INSTALLING BASE				*		1	
7		14146203		PICK-UP FOOT INSTALLING BASE				*		1	
8		14146302		PICK-UP FOOT INSTALLING BASE				*		1	
9	R	B2552372000	26025908	BUTTON CLAMP SLIDE				*		1	1.00
10		MAZ15513000		BUTTON CLAMP JAW LEVER SPRING				*		1	
11		MAZ15514000		SUPPORT PLATE				*		1	
12		MAZ15515000		SLIDE BLOCK				*		1	
13		13540901		STATIONING BLOCK SHAFT				*		1	
14		14146401		PRESSER PLATE				*		1	
15		14149058		MIDDLE CLAMP JAW LEVER ASM. (RIGHT)	FOR LK-19-03BS-302			*		1	
16	R	MAZ15507000	MAZ155070B0	SMALL CLAMP JAW LEVER ASM. (LEFT)				*		1	1.00
17		MAZ15509000		SPRING RIGHT				*		1	
18		SS7090410SP		SCREW 9/64-40 L=3.5				*		1	
19		14149009		PLATE L (RIGHT)				*		1	
20		SS2060310SP		SCREW 3/32-56 L=3				*		1	
21		14149157		MIDDLE CLAMP JAW LEVER ASM. (LEFT)	FOR LK-19-03BS-302			*		1	
22	R	MAZ15508000	MAZ155080B0	SMALL CLAMP JAW LEVER (LEFT)				*		1	1.00
23		MAZ15510000		SPRING (LEFT)				*		1	
24		SS7090410SP		SCREW 9/64-40 L=3.5				*		1	
25		14149108		PLATE L (LEFT)				*		1	
26		SS2060310SP		SCREW 3/32-56 L=3				*		1	
27		MAZ158070BB		EXTRA SMALL CLAMP LEVER ASM. (LEFT)	FOR LK-19-03BS-301			*		1	
28	R	MAZ158070AB	MAZ158070BB	EXTRA SMALL CLAMP LEVER ASM. (LEFT)				*		1	1.00
29		MAZ15809000		SPRING (RIGHT)				*		1	
30		SS7090410SP		SCREW 9/64-40 L=3.5				*		1	
31		MAZ158080BB		EXTRA SMALL CLAMP LEVER ASM. (LEFT)	FOR LK-19-03BS-301			*		1	
32	R	MAZ158080AB	MAZ158080BB	EXTRA SMALL CLAMP LEVER ASM. (LEFT)				*		1	1.00
33		MAZ15810000		SPRING (LEFT)				*		1	
34		SS7090410SP		SCREW 9/64-40 L=3.5				*		1	
35		D3130M1YC00		FINGER GUARD				*		1	
36		14141402		INSTALLING SHAFT				*		1	
37		B2548372000		SNAP FASTENER CLAMP STOP LEVER				*		1	
38		B2549372000		CLAMP SCREW A				*		1	
39		B2553372000		NUT				*		1	
40		B2560372000		BUTTON CLAMP STOP PIN				*		2	
41		SD0640391TP		HINGE SCREW D=6.35 H=3.9				*		2	
42		SD0550181SP		HINGE SCREW D=5.50 H=1.8				*		1	

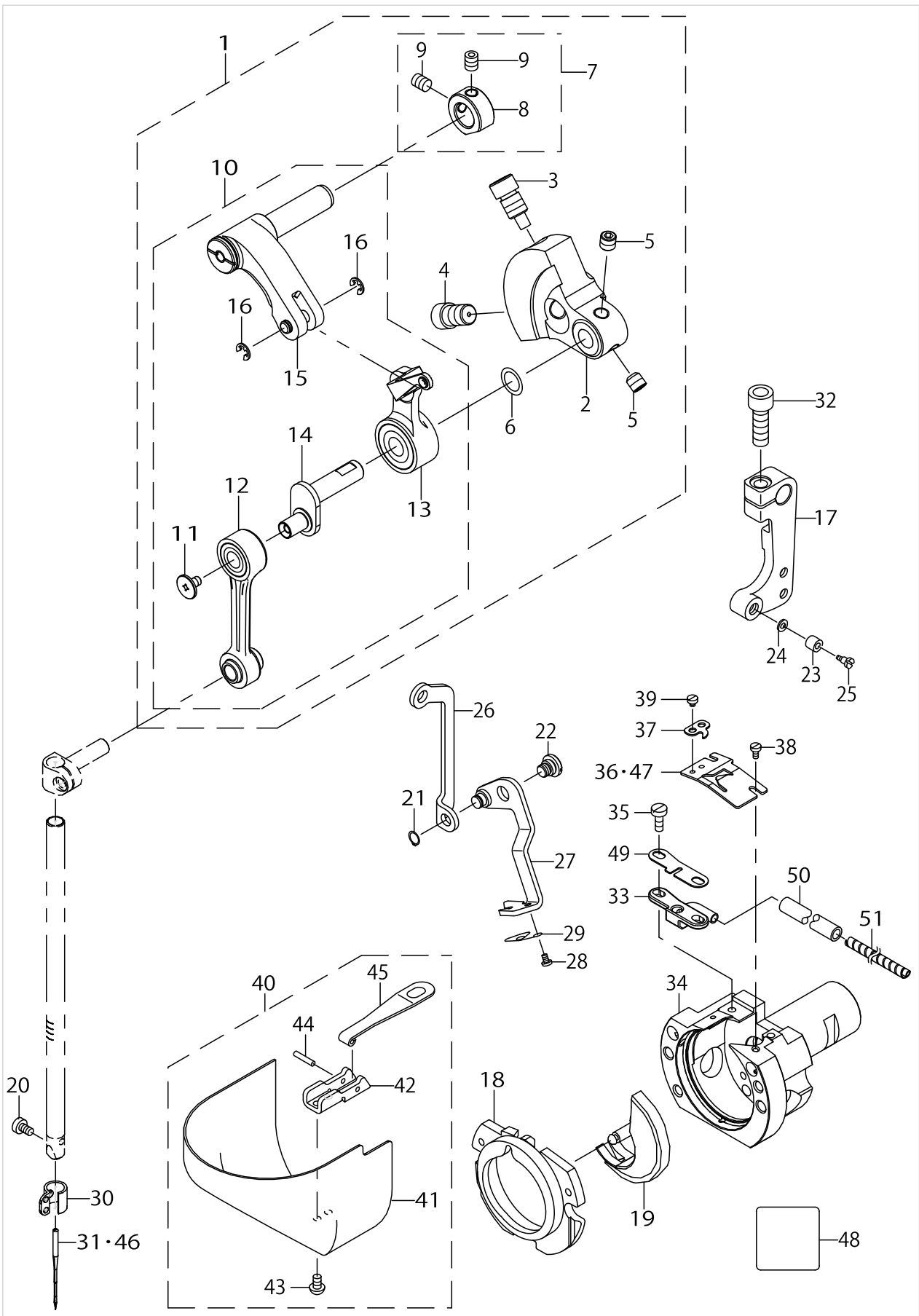
EXCLUSIVE PARTS FOR LK-1903BS-301,LK-1903BS-302(2)



EXCLUSIVE PARTS FOR LK-1903BS-301,LK-1903BS-302(2)

No.	Supply Code	Parts No.	Replacement	Parts name	Remarks	Choice	Step	Level	Cons	Qty	Rep. QTY
43		SD0550301SP		HINGE SCREW D=5.5 H=3				*		1	
44		SS9621413SP		SCREW 3/16-32 L=13.5				*		2	
45		SS9110460CP		SCREW 11/64-40 L=4				*		2	
46		NS6150310SP		NUT 15/64-28				*		1	
47		RE0700000K0		E-RING 7				*		2	
48		WP0501016SD		WASHER 5X10.5X1				*		2	
49		D2548232D00		SNAP RING FOR C-CONNECTING ROD				*		1	
50		MAZ15502000		PRESSURE PLATE	FOR LK-19-03BS-301					1	
51		MAZ15602000		PRESSURE PLATE	FOR LK-19-03BS-302					1	
52		SS9110543CP		SCREW 11/64-40 L=5.3						1	
53		WP0501016SD		WASHER 5X10.5X1						1	
54		22928808		NUT						2	
55		D2527232D00		SLEEVE						1	
56		14146906		ADJUSTING SHAFT						1	
57		13812003		PRESSURE SPRING						1	
58		13811906		ACCEPT PLATE (UPPER)						1	
59		SM5040855SN		SCREW						2	
60		MAZ15516000		MOVING PLATE						1	
61		SS9151120CP		SCREW 15/64-28 L=11						2	
62		WP0612516SD		WASHER 6.1X15.2X2.5						2	

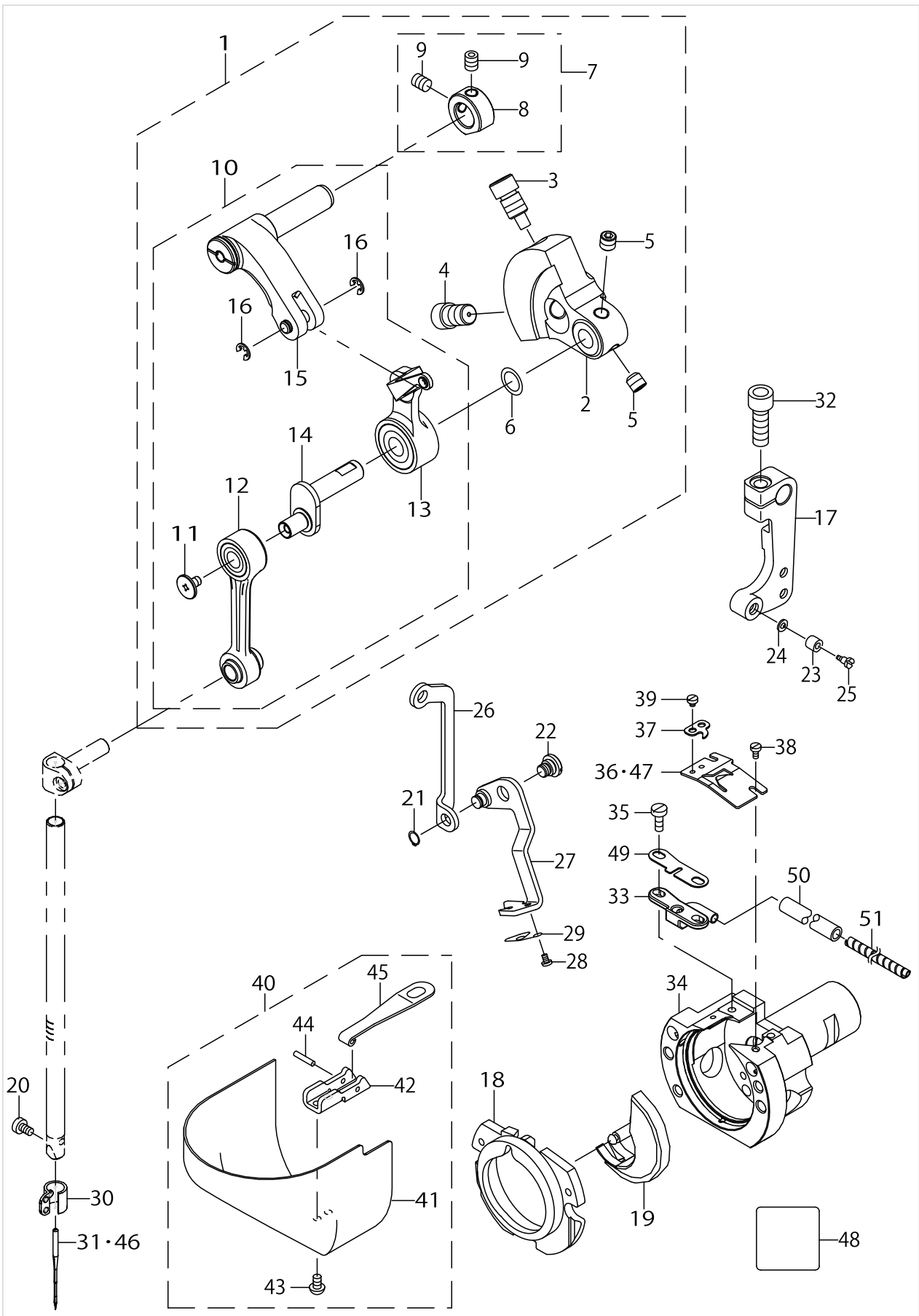
EXCLUSIVE PARTS FOR LK-1903B-BS-301,LK-1900B-BS,LK-1900B-BF(1)



EXCLUSIVE PARTS FOR LK-1903B-BS-301,LK-1900B-BS,LK-1900B-BF(1)

No.	Supply Code	Parts No.	Replacement	Parts name	Remarks	Choice	Step	Level	Cons	Qty	Rep. QTY
1		40142785		COUNTER_WEIGHT_COMPL_3	FOR LK-19-03B-BS-301					1	
2	R	40142691	40142689	COUNTER_WEIGHT		A	LK1900B	*		1	1.00
2	R	40142691	40142785	COUNTER_WEIGHT		B	LK1903B	*		1	1.00
3		40010424		COUNTER_WEIGHT_SCREW_A				*		1	
4		40010425		COUNTER_WEIGHT_SCREW_B				*		1	
5		40010426		COUNTER_WEIGHT_SCREW_C				*		1	
6		WP0820516SP		WASHER 11.6X8.2X0.6				*		1	
7		40110841		THRUST_COLLAR_ASM.				*		1	
8		40110842		THRUST_COLLAR				*		1	
9		SM80506A2TP		SCREW M5 L=6				*		2	
10	R	40142786	40142785	THREAD_TAKE_UP_COMPL_3				*		1	1.00
11	R	40142701	40142689	LEFT_HAND_SCREW				*		1	1.00
12	R	40142697	40142689	NEEDLE_BAR_CRANK_ROD_COMPL.		A	LK1900B	*		1	1.00
12	R	40142697	40142785	NEEDLE_BAR_CRANK_ROD_COMPL.		B	LK1903B	*		1	1.00
13		40142787		THREAD_TAKE_UP_ASM_3				*		1	
14		40142790		NEEDLE_BAR_CRANK_3				*		1	
15		40142807		TAKE_UP_CRANK_ASM_3				*		1	
16		RE0300000K0		E-RING 3				*		2	
17		40011949		CONNECTING ARM B	FOR LK-19-03B-BS-301					1	
18		14103352		INNER HOOK PRESSER ASM. B						1	
19		40110846		SHUTTLE					☆	1	
20		SM6030500SN		SCREW M3 L=5					☆	1	
21		RC0470611KP		RETAINING RING 4.7	FOR LK-19-03B-BS-301					1	
22		SD0640216TP		SHOULDER SCREW	FOR LK-19-03B-BS-301					1	
23	R	B2619372000	26028803	STOP MOTION TRIPPING LEVER CAM	FOR LK-19-03B-BS-301					1	1.00
24		B185351200E		HOOK SHAFT WASHER	FOR LK-19-03B-BS-301					1	
25		SD0791276TP		SHOULDER SCREW	FOR LK-19-03B-BS-301					1	
26		40006937		WIPER CONNECTING PLATE B	FOR LK-19-03B-BS-301					1	
27		40033047		WIPER ASM.	FOR LK-19-03B-BS-301					1	
28		SS5060310SP		SCREW 3/32-56 L=2.8	FOR LK-19-03B-BS-301					2	
29		40009860		WIPER THREAD CATCH SPRING	FOR LK-19-03B-BS-301				☆	1	
30	R	40006525	40010574	NEEDLE BAR THREAD GUIDE					☆	1	1.00
31		MDP170B1400		NEEDLE DPX17 #14	FOR LK-1900B-BS				☆	1	
32		SM6061802TP		SCREW M6 L=18						1	
33		40163512		PIPE ASM.						1	
34		40146853		SHUTTLE_B						1	
35		SM6030800SP		SCREW M3X0.5 L=8						2	
36		40153212		INNER_HOOK_UPPER_SPRING_03	FOR LK-19-03B-BS-301					1	
37		40153213		LOWER_THREAD HOLDER_B	FOR LK-19-03B-BS-301					1	
38		SM6020460TP		SCREW						2	
39		SM6020250TP		SCREW	FOR LK-19-03B-BS-301					2	

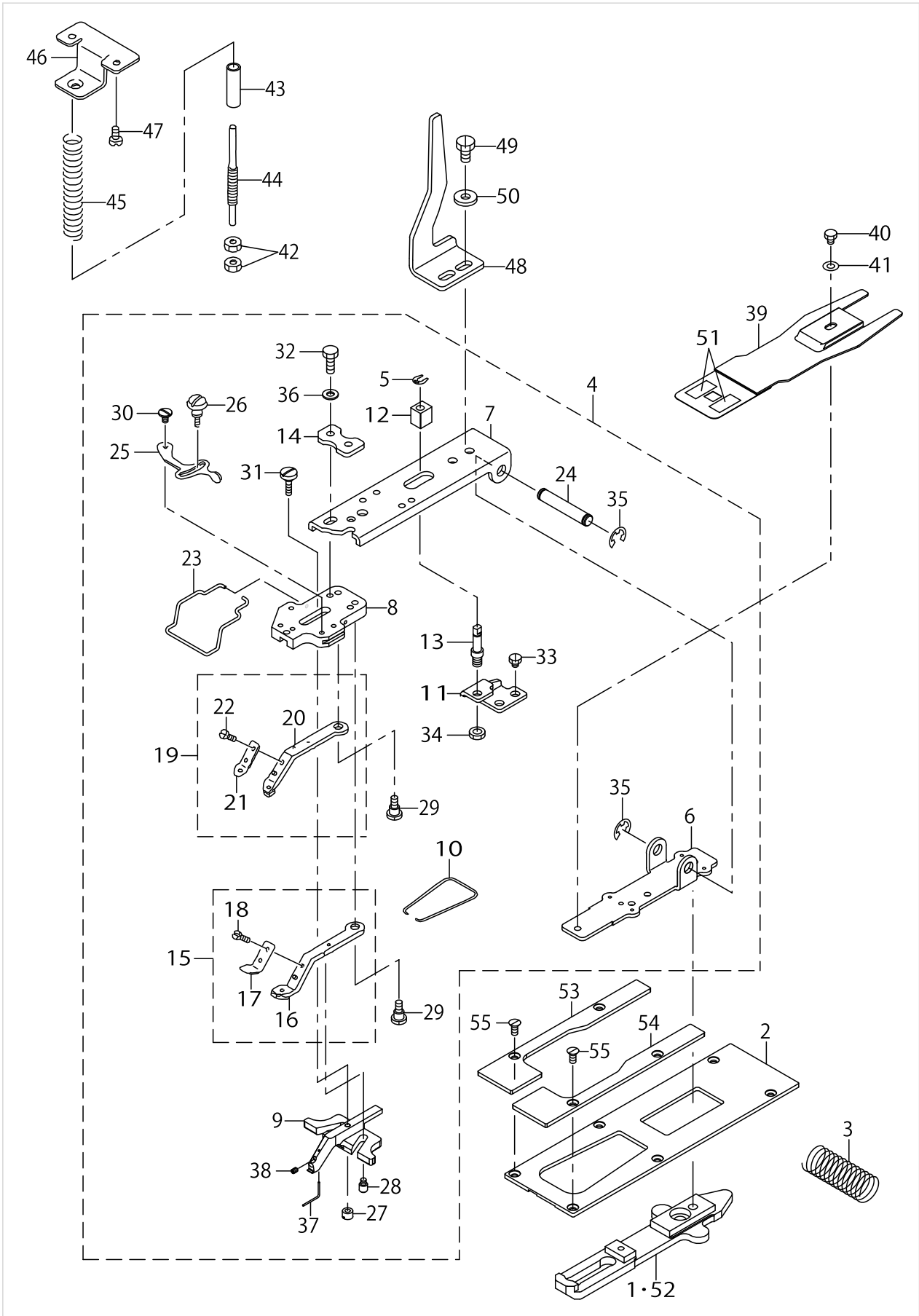
EXCLUSIVE PARTS FOR LK-1903B-BS-301,LK-1900B-BS,LK-1900B-BF(1)



EXCLUSIVE PARTS FOR LK-1903B-BS-301,LK-1900B-BS,LK-1900B-BF(1)

No.	Supply Code	Parts No.	Replacement	Parts name	Remarks	Choice	Step	Level	Cons	Qty	Rep. QTY
40		40146832		CYLINDER_ARM_CAP_ASM						1	
41		40146833		CYLINDER_ARM_CAP				*		1	
42	R	40142677	40142674	CYLINDER ARM CAP PLATE		A		*		1	1.00
42	R	40142677	40146832	CYLINDER ARM CAP PLATE		B	LK1903B-- BS-301專- 用/Only L- K1903B-BS-301	*		1	1.00
43		SM3030552TN		SCREW M3 L=5				*		2	
44		13508700		HOOK COVER PRESSER SPRING PIN				*		1	
45		26221101		HOOK COVER PRESSER SPRING A				*		1	
46		MDP170B1100		NEEDLE DPX17 #11	FOR LK-19- 03B-BS-3- 01, LK-1900B-BF					1	
47		40146835		INNER_HOOK_UPPER_SPRING	FOR LK-19- 00B-BS,LK- -1900B-BF					1	
48		40156963		THREADING DIAGRAM	FOR LK-19- 03B-BS-301					1	
49		40163455		ABSORB PLATE						1	
50		BT0600401E0		TUBE						.37	
51		HX00314000D		SPIRAL TUBE						.08	

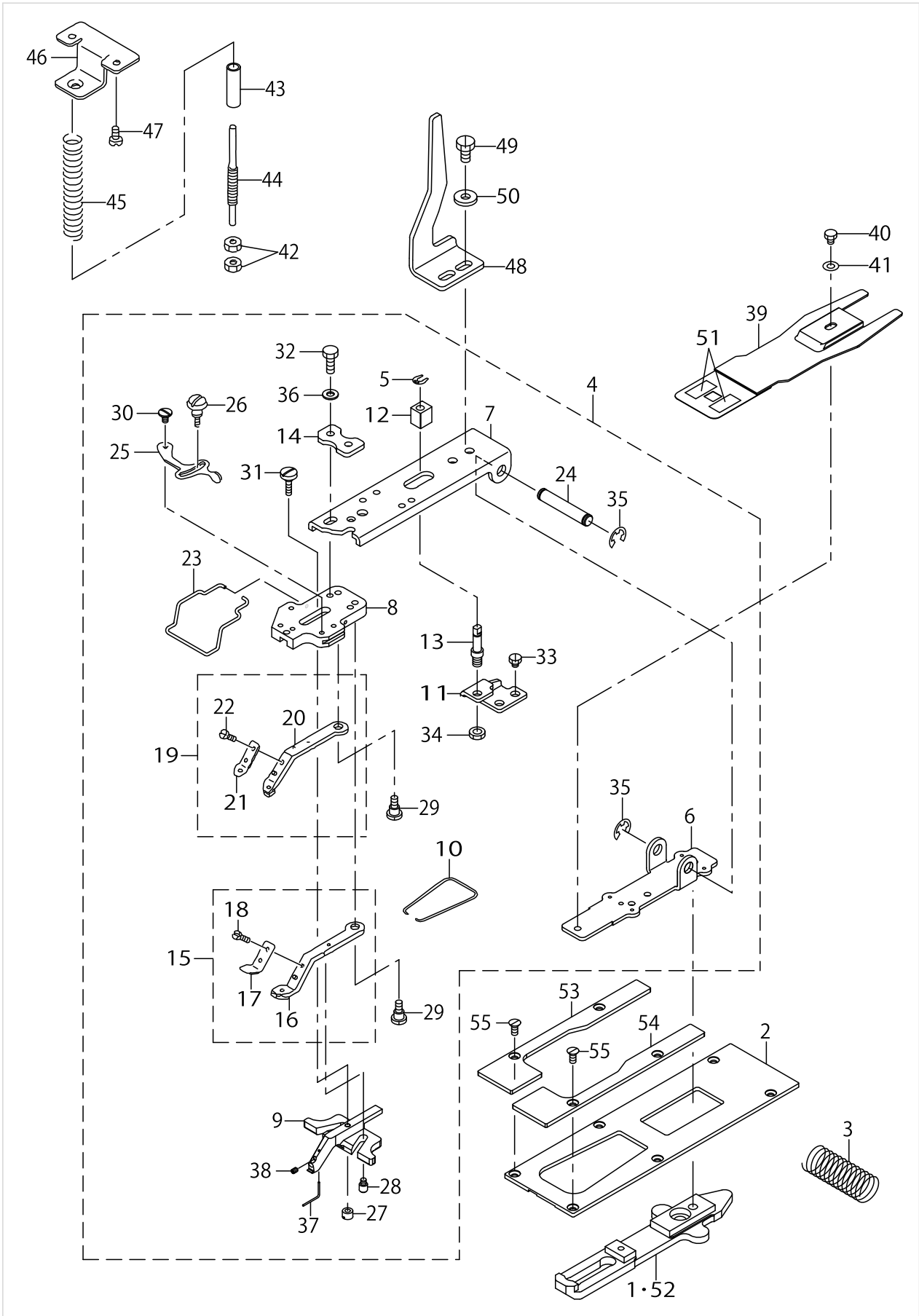
EXCLUSIVE PARTS FOR LK-1903B-BS-301,LK-1900B-BS,LK-1900B-BF(2)



EXCLUSIVE PARTS FOR LK-1903B-BS-301,LK-1900B-BS,LK-1900B-BF(2)

No.	Supply Code	Parts No.	Replacement	Parts name	Remarks	Choice	Step	Level	Cons	Qty	Rep. QTY
1		14145106		CLOTH FEED PLATE	FOR LK-1903B-BS					1	
2		40006935		CLOTH FEED PRESSER PLATE B	FOR LK-1903B-BS					1	
3		14148407		VERTICAL FEED SHAFT SPRING	FOR LK-1903B-BS					1	
4		40146850		AVERY SMALL CLAMP MECHANISM ASM.	FOR LK-1903B-BS					1	
5		D2548232D00		SNAP RING FOR CONNECTING ROD				*		1	
6		14146104		PICK-UP INSTALLING BASE				*		1	
7		14146203		PICK-UP FOOT INSTALLING BASE				*		1	
8		14146302		PICK-UP FOOT INSTALLING BASE				*		1	
9		40146812		BUTTON_CLAMP_SLIDE				*		1	
10		MAZ15513000		BUTTON CLAMP JAW LEVER SPRING				*		1	
11		MAZ15514000		SUPPORT PLATE				*		1	
12		MAZ15515000		SLIDE BLOCK				*		1	
13		13540901		STATIONING BLOCK SHAFT				*		1	
14		14146401		PRESSER PLATE				*		1	
15		MAZ158070BB		EXTRA SMALL CLAMP LEVER ASM. (LEFT)				*		1	
16	R	MAZ158070AB	MAZ158070BB	EXTRA SMALL CLAMP LEVER ASM. (LEFT)				*		1	1.00
17		MAZ15809000		SPRING (RIGHT)				*	☆	1	
18		SS7090410SP		SCREW 9/64-40 L=3.5				*		1	
19		MAZ158080BB		EXTRA SMALL CLAMP LEVER ASM. (LEFT)				*		1	
20	R	MAZ158080AB	MAZ158080BB	EXTRA SMALL CLAMP LEVER ASM. (LEFT)				*		1	1.00
21		MAZ15810000		SPRING (LEFT)				*	☆	1	
22		SS7090410SP		SCREW 9/64-40 L=3.5				*		1	
23		D3130M1YC00		FINGER GUARD				*		1	
24		14141402		INSTALLING SHAFT				*		1	
25		B2548372000		SNAP FASTENER CLAMP STOP LEVER				*		1	
26		B2549372000		CLAMP SCREW A				*		1	
27		B2553372000		NUT				*		1	
28		B2560372000		BUTTON CLAMP STOP PIN				*		2	
29		SD0640391TP		HINGE SCREW D=6.35 H=3.9				*		2	
30		SD0550181SP		HINGE SCREW D=5.50 H=1.8				*		1	
31		SD0550301SP		HINGE SCREW D=5.5 H=3				*		1	
32		SS9621413SP		SCREW 3/16-32 L=13.5				*		2	
33		SS9110460CP		SCREW 11/64-40 L=4				*		2	
34		NS6150310SP		NUT 15/64-28				*		1	
35		RE0700000K0		E-RING 7				*		2	
36		WP0501016SD		WASHER 5X10.5X1				*		2	
37		40146831		BUTTON_RISING_BAR				*		1	
38		SM8030412TP		SCREW				*		1	
39		40146828		PRESSURE PLATE	FOR LK-1903B-BS					1	
40		SS9110543CP		SCREW 11/64-40 L=5.3	FOR LK-1903B-BS					1	
41		WP0501016SD		WASHER 5X10.5X1	FOR LK-1903B-BS					1	
42		22928808		NUT	FOR LK-1903B-BS					2	
43		D2527232D00		SLEEVE	FOR LK-1903B-BS					1	

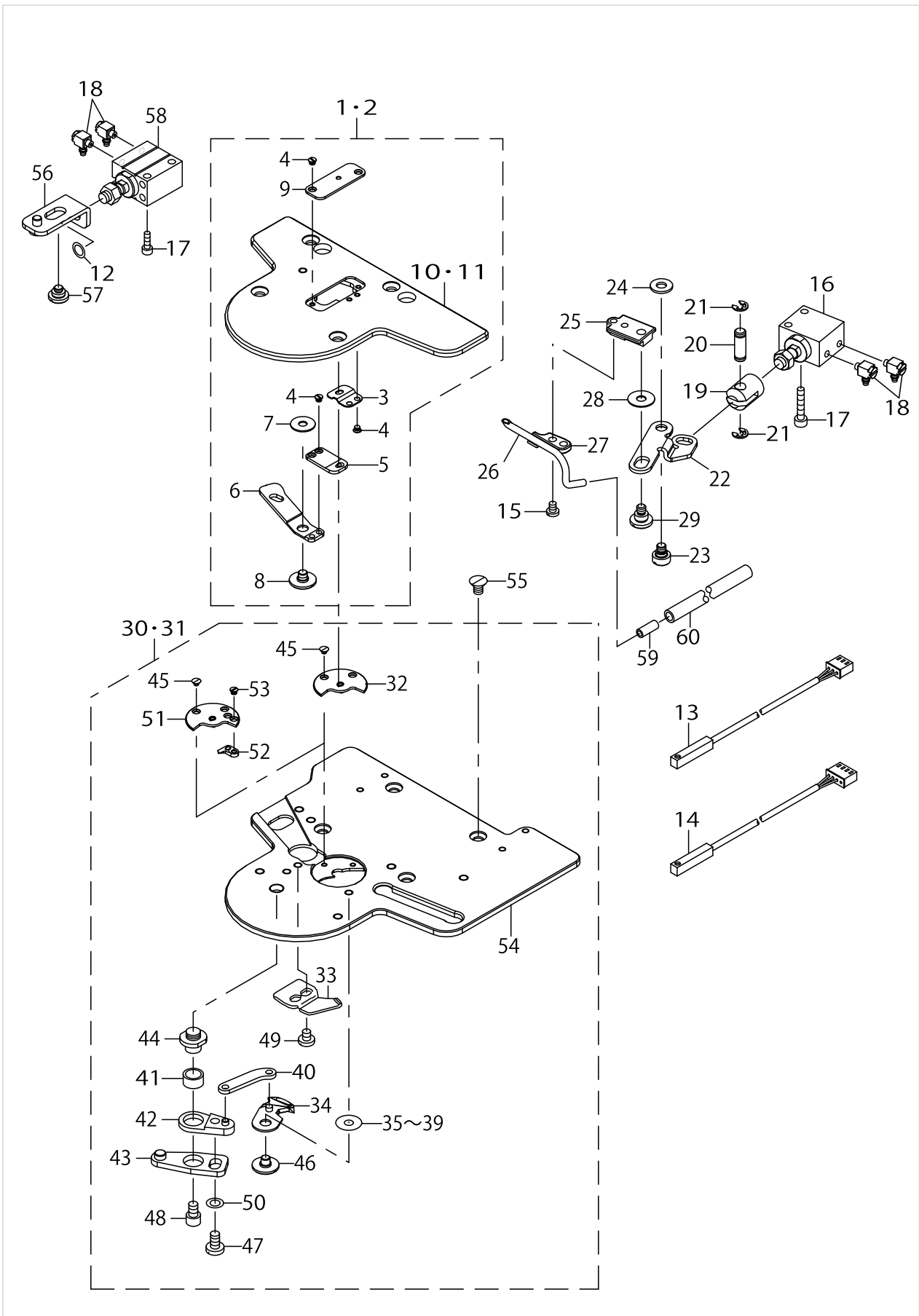
EXCLUSIVE PARTS FOR LK-1903B-BS-301,LK-1900B-BS,LK-1900B-BF(2)



EXCLUSIVE PARTS FOR LK-1903B-BS-301,LK-1900B-BS,LK-1900B-BF(2)

No.	Supply Code	Parts No.	Replacement	Parts name	Remarks	Choice	Step	Level	Cons	Qty	Rep. QTY
44		14146906		ADJUSTING SHAFT	FOR LK-1903B-BS					1	
45		13812003		PRESSURE SPRING	FOR LK-1903B-BS					1	
46		13811906		ACCEPT PLATE (UPPER)	FOR LK-1903B-BS					1	
47		SM5040855SN		SCREW	FOR LK-1903B-BS					2	
48		MAZ15516000		MOVING PLATE	FOR LK-1903B-BS					1	
49		SS9151120CP		SCREW15/64-28L=11	FOR LK-1903B-BS					2	
50		WP0612516SD		WASHER6.1X15.2X2.5	FOR LK-1903B-BS					2	
51		40153218		SKID SHEET	FOR LK-1903B-BS					1	
52		40153219		CLOTH_FEED_PLATE_1900BBS	FOR LK-19-00B-BS,LK-1900B-BF					1	
53		40153235		FEED_PLATE_SPACER_L	FOR LK-19-00B-BS,LK-1900B-BF					1	
54		40153234		FEED_PLATE_SPACER_R	FOR LK-19-00B-BS,LK-1900B-BF					1	
55		SM1040950TP		SCREW M4 L=9	FOR LK-19-00B-BS,LK-1900B-BF					4	

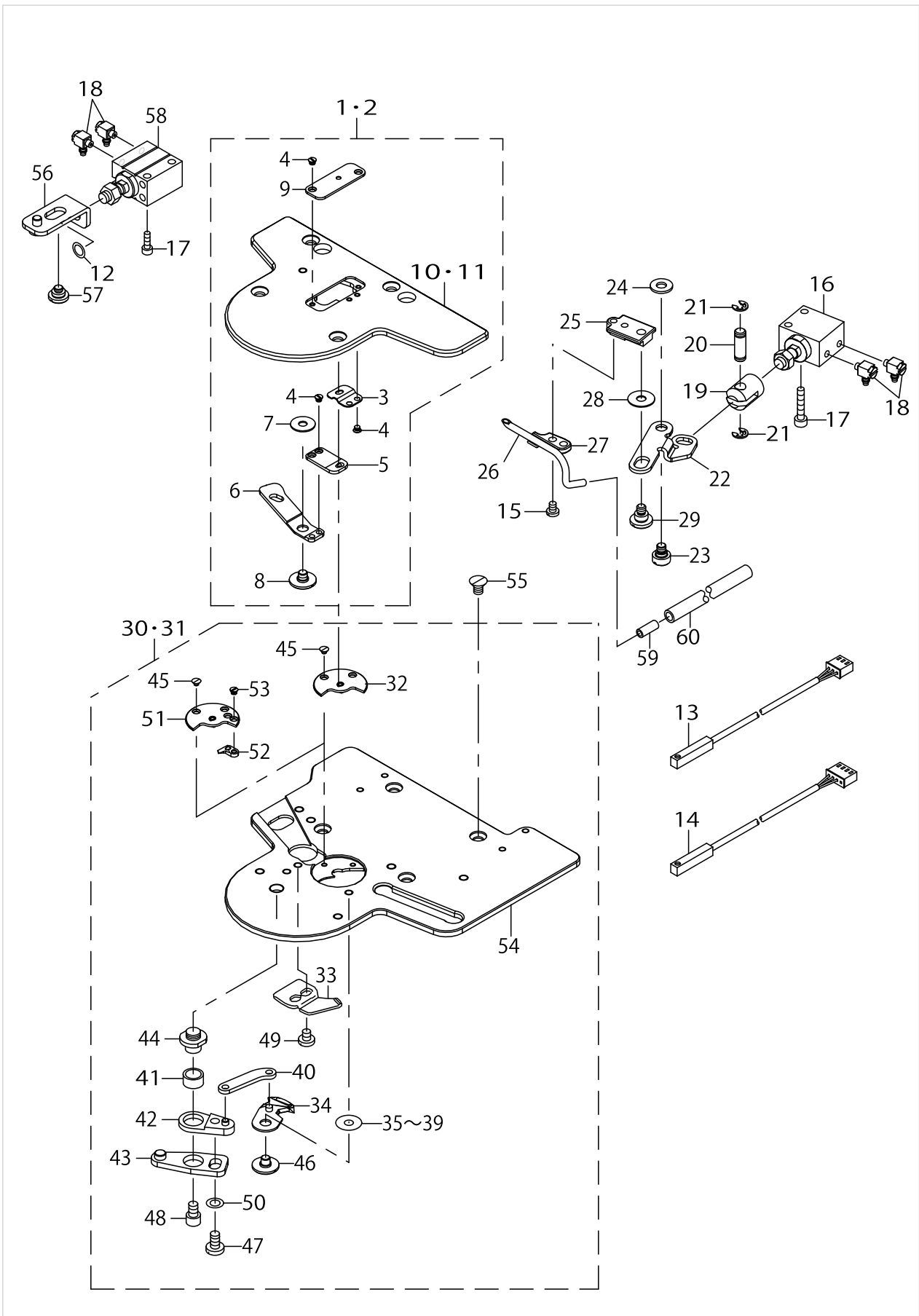
EXCLUSIVE PARTS FOR LK-1903B-BS-301,LK-1900B-BS,LK-1900B-BF(3)



EXCLUSIVE PARTS FOR LK-1903B-BS-301,LK-1900B-BS,LK-1900B-BF(3)

No.	Supply Code	Parts No.	Replacement	Parts name	Remarks	Choice	Step	Level	Cons	Qty	Rep. QTY
1		40162729		NEEDLE PLATE UPPER ASM. 03BB	FOR LK-1903B-BS					1	
2		40162730		NEEDLE PLATE UPPER ASM. 00BB	FOR LK-19-00B-BS,LK-1900B-BF					1	
3		40162660		FIXING KNIFE				*	☆	1	
4		SS1060210TP		SCREW 3/32-56 L=2.2				*		6	
5		40146806		MOVING_KNIFE				*	☆	1	
6		40162659		MOVING_KNIFE_BASE				*		1	
7	R	B2423280000	B242328000C	WASHER				*		1	1.00
8		SD0500091TP		HINGE SCREW D=5.0 H=0.9				*		1	
9		40162662		NEEDLE HOLE GUIDE B				*		1	
10		40162687		KNIFE_BASE_03BB	FOR LK-1903B-BS			*		1	
11		40162688		KNIFE_BASE_00BB	FOR LK-19-00B-BS,LK-1900B-BF			*		1	
12		WP0510516SD		WASHER 5.1X7.5X0.5						1	
13		40157670		SUTO SWITCH A ASM.						1	
14		40153195		AUT SWITCH B ASM.						1	
15		SM6030650TP		SCREW						2	
16		PA1000601A0		AIR CYLINDER						1	
17		SM6031602TP		SCREW						4	
18		PJ046039001		ELBOW						4	
19		40146827		CYLINDER_KNUCKLE						1	
20		40023635		CYLINDER PIN						1	
21		RE0300000K0		E-RING 3						2	
22		40146826		VACUUM_LINK						1	
23		SD0500166TP		SHOULDER SCREW D=5 H=1.6						1	
24		WP0451026SH		WASHER						1	
25		40146809		GUIDE_BLOCK						1	
26		40146824		VACUUM_PIPE						1	
27	R	40146825	40146823	VACUUM_PIPE_PLATE						1	1.00
28		WP0420516KH		THRUST WASHER 4.2						1	
29		SD0600326TP		SHOULDER SCREW D=6 H=3.2						1	
30		40162731		NEEDLE PLATE ASM. 03BB	FOR LK-1903B-BS					1	
31		40162732		NEEDLE PLATE ASM. 00BB	FOR LK-19-00B-BS,LK-1900B-BF					1	
32		40162664		GUIDE 03BB	FOR LK-1903B-BS			*	☆	1	
33		B2424280000		FIXING KNIFE				*	☆	1	
34		B24212800A0		MOVING KNIFE ASM.				*	☆	1	
35		B242328000A		MOVING KNIFE WASHER A	SELECTIVE PARTS			*		1	
36		B242328000B		MOVING KNIFE WASHER B	SELECTIVE PARTS			*		1	
37		B242328000C		MOVING KNIFE WASHER C	SELECTIVE PARTS			*		1	
38		B242328000D		MOVING KNIFE WASHER D	SELECTIVE PARTS			*		1	
39		B242328000E		MOVING KNIFE WASHER E	SELECTIVE PARTS			*		1	
40		B2418280000		MOVING KNIFE LINK				*		1	
41		B2416280000		THREAD CUTTING LEVER RING				*		1	
42		B24152800A0		THREAD CUTTER L-EVER ASM. SMALL				*		1	
43		B24142800A0		THREAD CUTTER L-EVER ASM. LARGE				*		1	

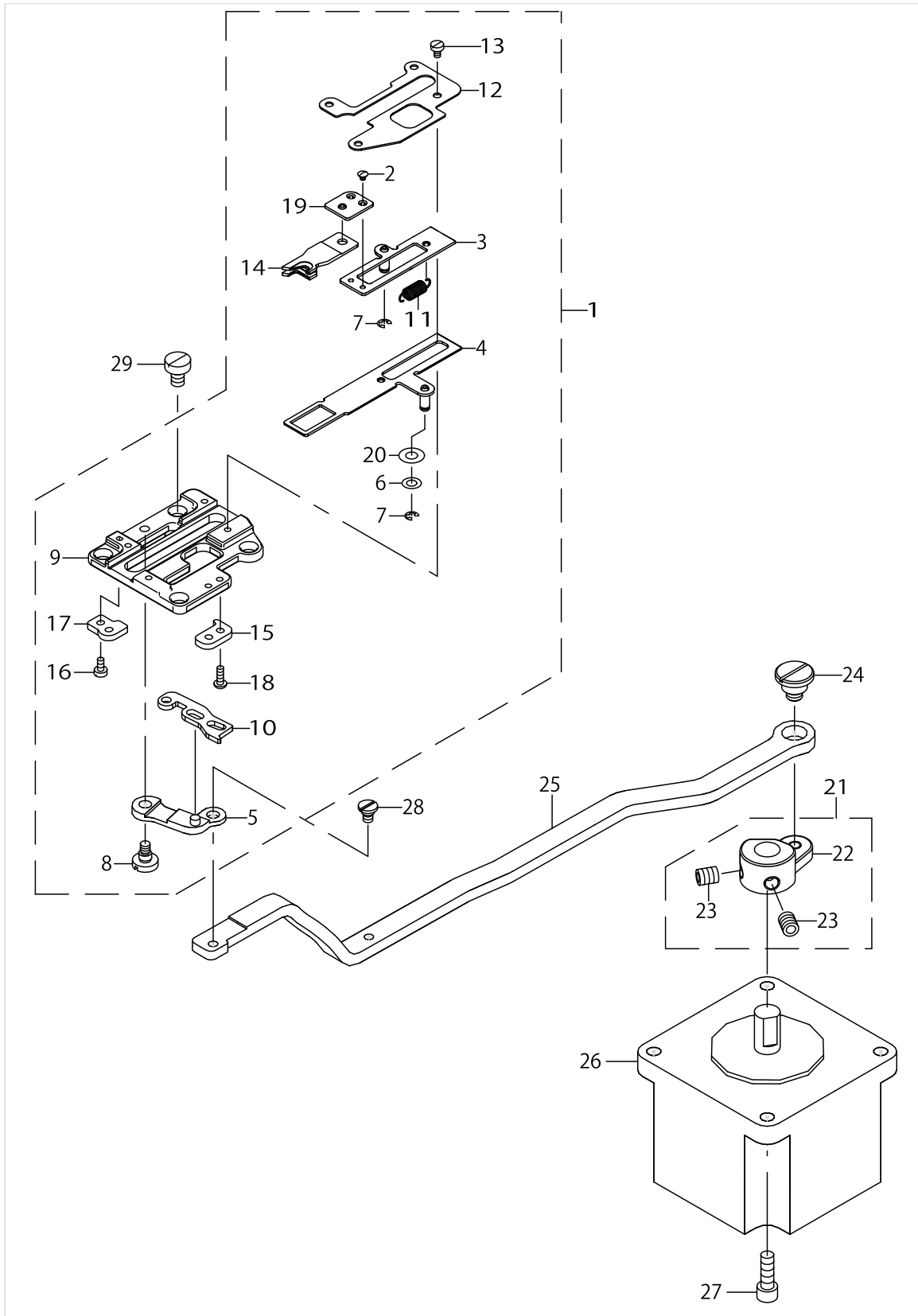
EXCLUSIVE PARTS FOR LK-1903B-BS-301,LK-1900B-BS,LK-1900B-BF(3)



EXCLUSIVE PARTS FOR LK-1903B-BS-301,LK-1900B-BS,LK-1900B-BF(3)

No.	Supply Code	Parts No.	Replacement	Parts name	Remarks	Choice	Step	Level	Cons	Qty	Rep. QTY
44		B2417280000		THREAD CUTTER LEVER SHAFT				*		1	
45		SS1060210TP		SCREW 3/32-56 L=2.2				*		2	
46		SD0500091TP		HINGE SCREW D=5.0 H=0.9				*		1	
47		SS7110740TP		SCREW 11/64-40 L=7				*		1	
48		SS6110430TP		SCREW 11/64-40 L=4.0				*		1	
49		SS7090410SP		SCREW 9/64-40 L=3.5				*		2	
50		WP0450846SP		WASHER				*		1	
51	R	40162665	40162732	GUIDE 00BB	FOR LK-19-00B-BS,LK-1900B-BF			*		1	1.00
52		40163515		KNIFE	FOR LK-19-00B-BS,LK-1900B-BF			*		1	
53		SS1060210TP		SCREW 3/32-56 L=2.2	FOR LK-19-00B-BS,LK-1900B-BF			*		2	
54		40158171		NEEDLE PLATE				*		1	
55		SM1040650TP		SCREW						4	
56		40158169		CYLINDER GUIDE ASM.						1	
57		SD0600207TP		SHOULDER SCREW						1	
58		PA1000402A0		AIR CYLINDER						1	
59		BT0400251EB		URETHANE HOSE, BLACK						.01	
60		BT0600401E0		TUBE						.29	

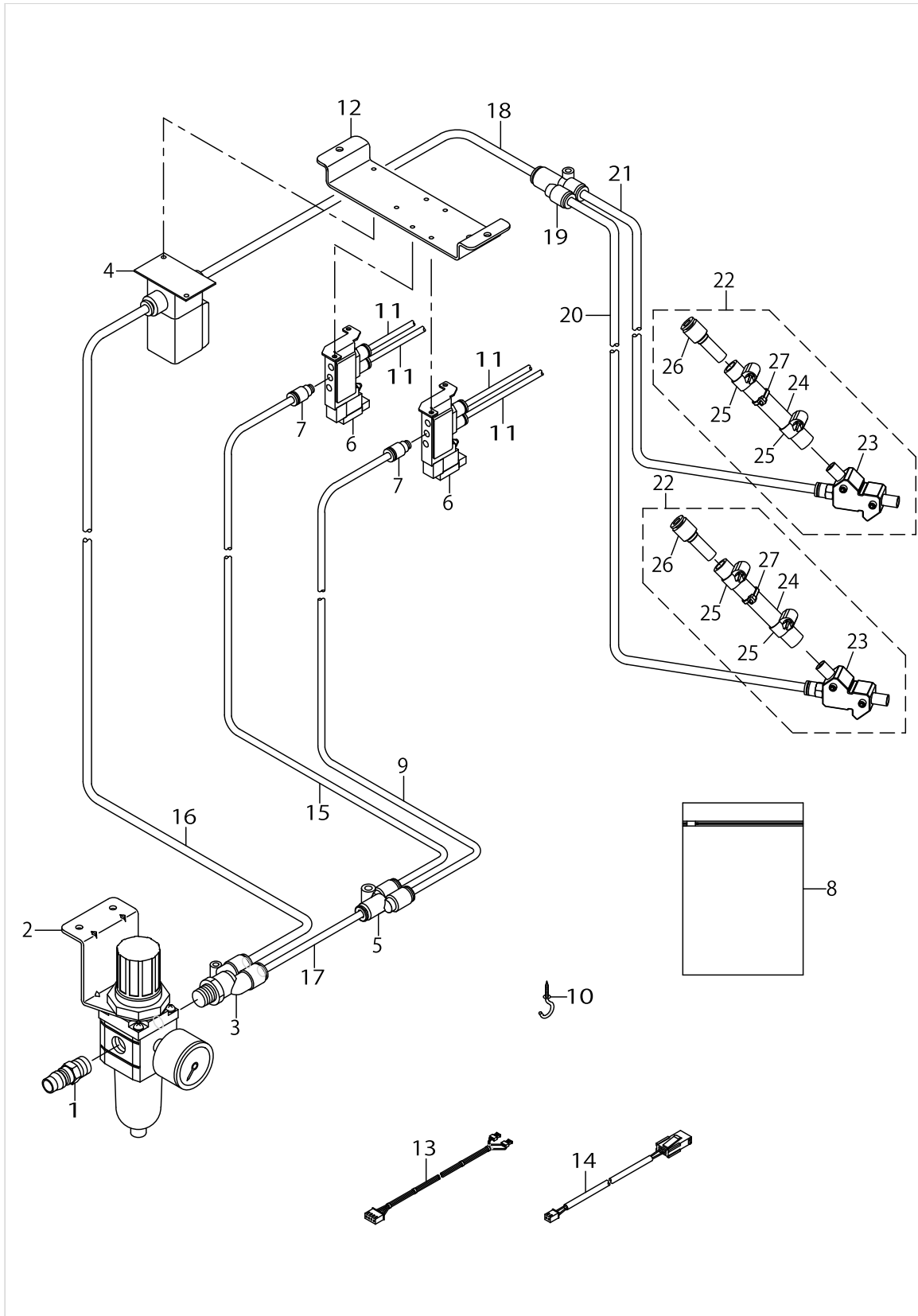
EXCLUSIVE PARTS FOR LK-1903B-BS-301,LK-1900B-BS,LK-1900B-BF(4)



EXCLUSIVE PARTS FOR LK-1903B-BS-301,LK-1900B-BS,LK-1900B-BF(4)

No.	Supply Code	Parts No.	Replacement	Parts name	Remarks	Choice	Step	Level	Cons	Qty	Rep. QTY
1		40163528		TC CLAMP UNIT ASM.						1	
2		SM2360110TP		SCREW				*		2	
3		40006762		TC_CLAMP_PLATE_ASM				*		1	
4		40006765		TC_SUPPERT_PLATE_ASM				*		1	
5		40015800		TC_LINK_ASM.				*		1	
6		WP0320500SC		WASHER M3				*		2	
7		RE0200000K0		E-RING				*		2	
8		SD0400266TP		HINGE SCREW D=4 H=2.6				*		1	
9		40010589		TC_BASE				*		1	
10		40146838		TC_CAM_PLATE				*		1	
11		40146836		TC_SPRING				*		1	
12		40006781		TC_BASE_COVER				*		1	
13		SM6020350SP		SCREW M2 L=2.5				*		4	
14		40163514		TC CLAMP				*		1	
15		40146837		TC_NOTCH_R				*		1	
16		SM6020450TP		SCREW				*		2	
17		40030942		TC_NOTCH_F_H				*		1	
18		SM4020600SP		SCREW M2 L=6				*		2	
19		40012815		TC JOINT ASM.				*		1	
20		WP0370316SD		WASHER 3.7X8X0.3				*		1	
21		40142738		TC_DRIVING_ARM_ASM						1	
22		40142739		TC_DRIVING_ARM				*		1	
23	R	40011152	40010527	TC_ARM_SCREW				*		2	1.00
24		SD0800407TP		SHOULDER SCREW						1	
25		40006776		TC_CONNECTING_LINK						1	
26		40139179		THREAD CLAMP MOTOR						1	
27		SM6041202TP		SCREW M4X0.7 L=12						4	
28		SD0350156TP		SHOULDER SCREW						1	
29		SM6040650TP		SCREW						4	

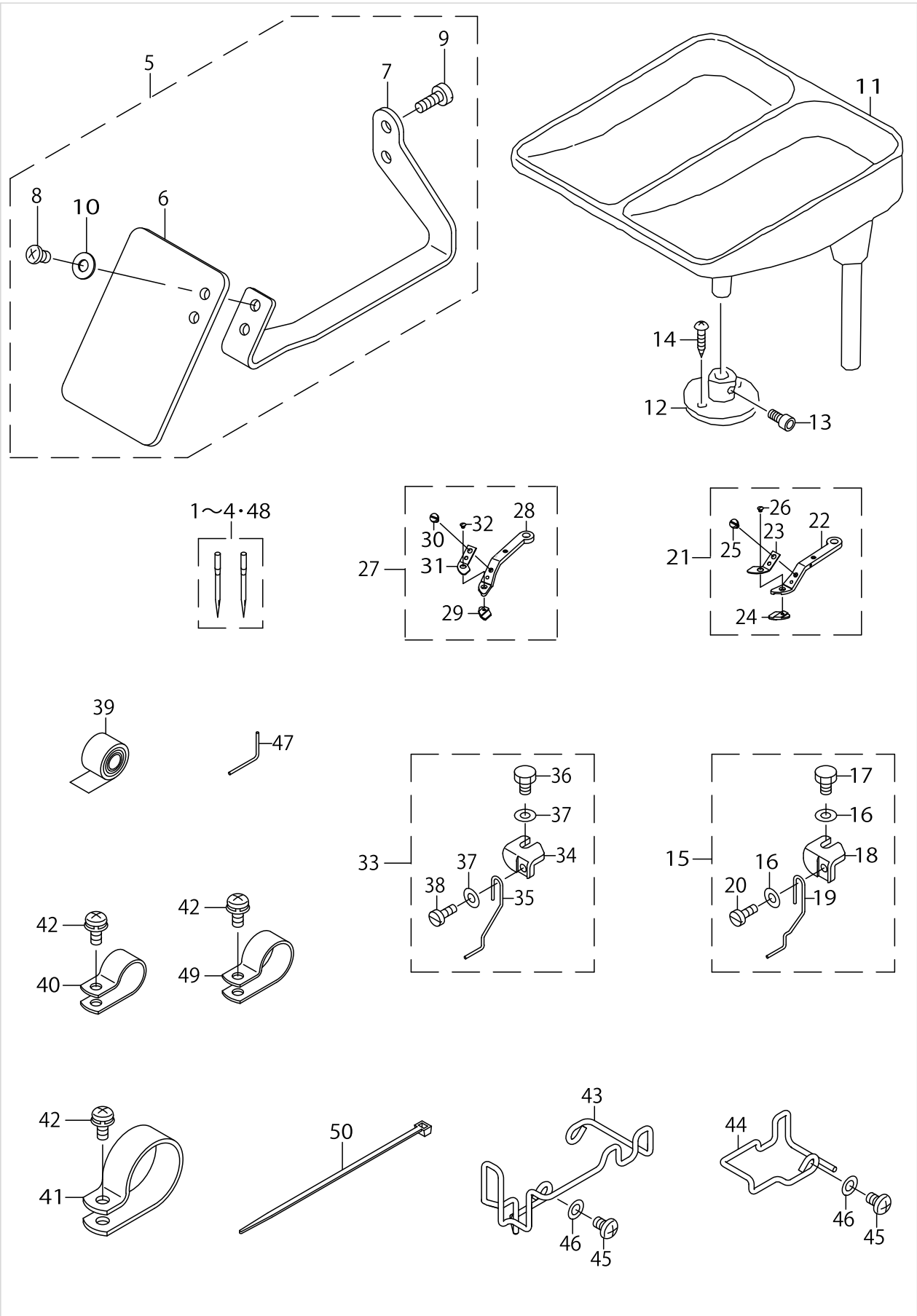
AIR COMPONENTS



AIR COMPONENTS

No.	Supply Code	Parts No.	Replacement	Parts name	Remarks	Choice	Step	Level	Cons	Qty	Rep. QTY
1		PJ025200004		PLUG						1	
2		40163610		FILTER REGULATOR ASM.						1	
3		PJ308085202		UNION Y						1	
4		PV120206000		2-PORT SOLENOID VALVE						1	
5		PJ308080003		Y-UNION						1	
6		PV1502060A0		5 PORT MAGNETIC TRANSFER VALVE						2	
7		PJ210006100		HALF UNION						2	
8		40139091		DUST_BAG						1	
9		BT0600401EB		TUBE						1.2	
10		D2113555B00		CORD SET HOOK B						1	
11		BT0400251EB		URETHANE HOSE BLACK						3	
12		40146839		SOLENOID_VALVE_-ADJUSTING_BASE						1	
13		40153196		AIR SOLENOID VALVE CORD A ASM.						1	
14		40153197		AIR SOLENOID VALVE CORD B ASM.						1	
15		BT0600401EB		TUBE						.2	
16		BT0800501EB		VINYL TUBE						.3	
17		BT0800501EB		VINYL TUBE						.15	
18		BT0800501EB		VINYL TUBE						.15	
19		PJ308080003		Y-UNION						1	
20		BT0600401EB		TUBE						.2	
21		BT0600401EB		TUBE						.2	
22		40153246		TUBE ASM. 4						2	
23		40153248		NOZZLE ASM.				*		1	
24		BT1200801EF		TUBE				*		0.7	
25		16121907		HOSE BAND				*		2	
26		PJ301060003		REDUCER				*		1	
27		EA9500B0100		CABLE BAND				*		1	

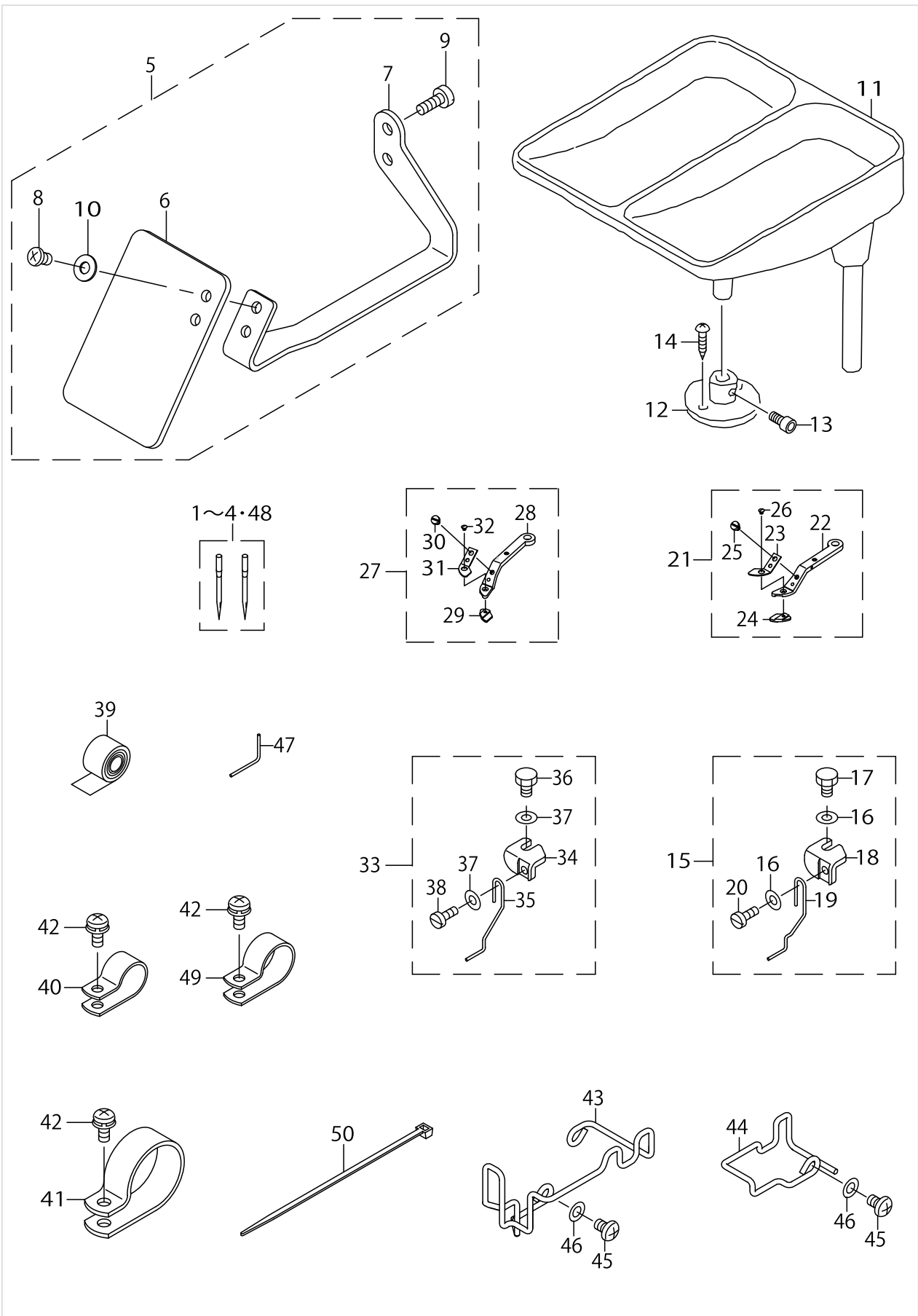
ACCESSORIE PARTS FOR LK-1900B SUBCLASSES



ACCESSORIE PARTS FOR LK-1900B SUBCLASSES

No.	Supply Code	Parts No.	Replacement	Parts name	Remarks	Choice	Step	Level	Cons	Qty	Rep. QTY
1	R	MDP500B1402	MDP500B1400	NEEDLE DPX5#14-2	FOR LK-19-01BS,LK-1-902BS USE IN JAPAN				☆	1	1.00
2	D	MDP500B1602		NEEDLE DPX5#16-2	FOR LK-19-01BS,LK-1-902BS EXCEPT USE IN JAPAN				☆	1	
3		MDP170B2102		NEEDLE DPX17#21-2	FOR LK-1902BH				☆	1	
4	R	MDP170B1402	MDP170B1400	NEEDLE DPX17#14-2	FOR LK-19-03BS-301, LK-1903BS-302				☆	1	1.00
5		40006485		SAFETY PLATE ASM. B	FOR LK-19-02BS,LK-1902BH					1	
6		13889407		SAFETY PLATE				*		1	
7		40052810		SAFETY PLATE INSTALLING BASE				*		1	
8		SM4040655SP		SCREW M4 L=6				*		2	
9		SM6041150TP		SCREW				*		2	
10		WP0450801SD		WASHER 4.5X10X0.8				*		2	
11		17848458		BUTTON TRAY ASM.	FOR LK-19-03BS-301, LK-1903BS-302, LK-1903BS-301					1	
12		40033635		BUTTON TRAY BASE	FOR LK-19-03BS-301, LK-1903BS-302, LK-1903BS-301					1	
13		SM6061202TP		SCREW M6 L=12	FOR LK-19-03BS-301, LK-1903BS-302, LK-1903BS-301					1	
14		SK3412001SE		WOOD SCREW D=4.1 L=20	FOR LK-19-03BS-301, LK-1903BS-302, LK-1903BS-301					2	
15		14146757		BUTTON RISING BAR ASM.	FOR LK-19-03BS-301, LK-1903BS-302					1	
16		WP0370316SD		WASHER 3.7X8X0.3				*		2	
17		SS9090813TP		SCREW 9/64-40 L=8				*		1	
18		14146807		INSTALLING BASE				*		1	
19		14146708		BUTTON RISING BAR				*	☆	1	
20		SS6080340SP		SCREW 1/8-44 L=2.9				*		1	
21		14148852		SMALL CLAMP JAW LEVER ASM. (RIGHT)	FOR LK-19-03BS-301, LK-1903BS-301					1	
22	R	MAZ15507000	MAZ155070B0	SMALL CLAMP JAW LEVER ASM. (RIGHT)				*		1	1.00
23		MAZ15509000		SPRING (RIGHT)				*	☆	1	
24	R	14148803	14148852	PLATE K (RIGHT)				*		1	1.00
25		SS7090410SP		SCREW 9/64-40 L=3.5				*		1	
26		SS2060310SP		SCREW 3/32-56 L=3				*		1	
27		14148951		SMALL CLAMP JAW LEVER ASM. (LEFT)	FOR LK-19-03BS-301, LK-1903BS-301					1	
28	R	MAZ15508000	MAZ155080B0	SMALL CLAMP JAW LEVER (LEFT)				*		1	1.00
29	R	14148902	14148951	PLATE K (LEFT)				*		1	1.00

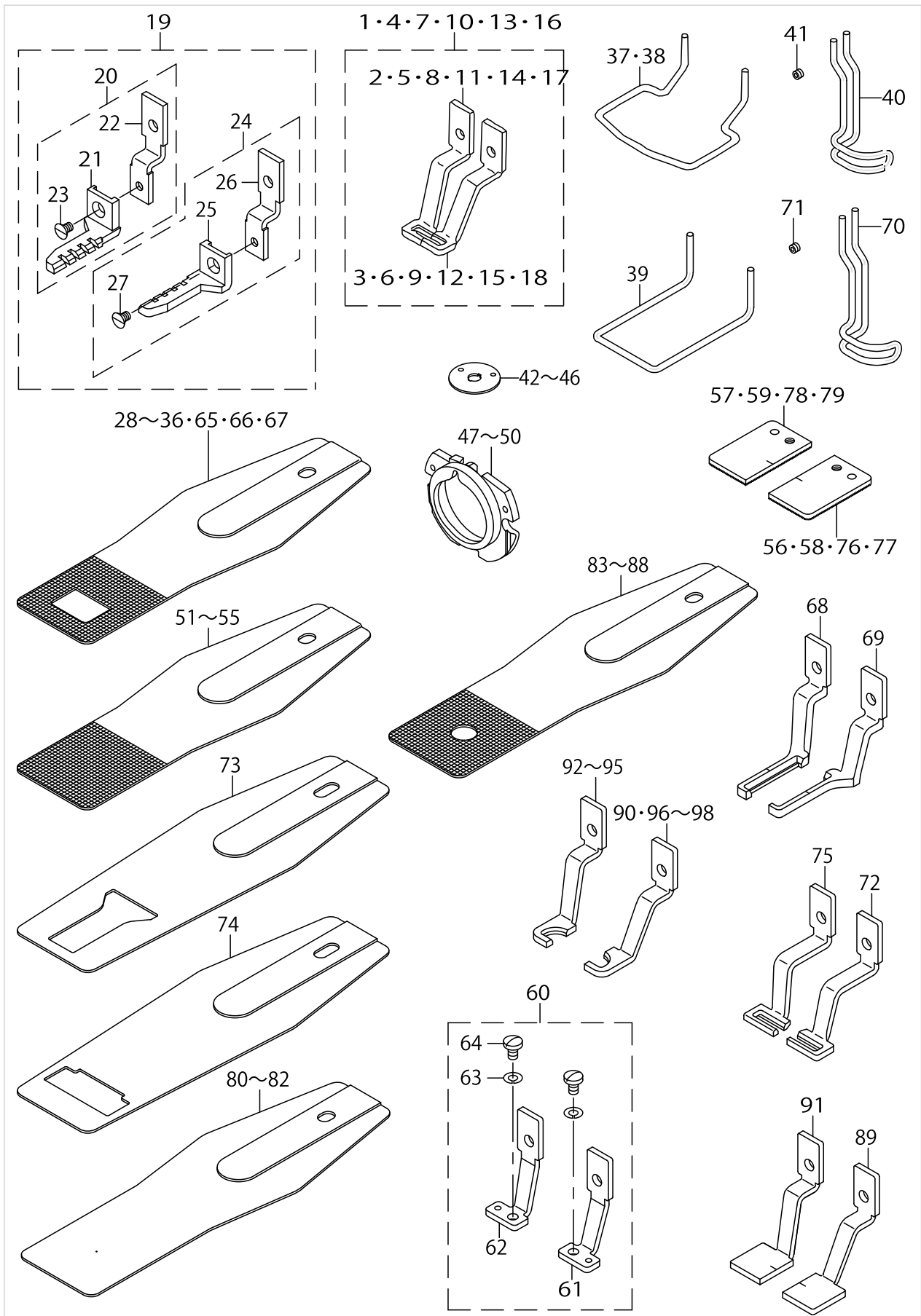
ACCESSORIE PARTS FOR LK-1900B SUBCLASSES



ACCESSORIE PARTS FOR LK-1900B SUBCLASSES

No.	Supply Code	Parts No.	Replacement	Parts name	Remarks	Choice	Step	Level	Cons	Qty	Rep. QTY
30		SS7090410SP		SCREW 9/64-40 L=3.5				*		1	
31		MAZ15510000		SPRING (LEFT)				*	☆	1	
32		SS2060310SP		SCREW 3/32-56 L=3				*		1	
33		40153216		BUTTON RISING BAR ASM.	FOR LK-19-03B-BS-301					1	
34		40153214		INSTALLING BASE				*		1	
35		40153215		BUTTON RISING BAR				*	☆	1	
36		SS9090813TP		SCREW 9/64-40 L=8				*		1	
37		WP0370316SD		WASHER 3.7X8X0.3				*		2	
38		SS6080340SP		SCREW 1/8-44 L=2.9				*		1	
39		40153218		SKID SHEET	FOR LK-19-03B-BS-301					1	
40		HX00150000F		CABLE CLIP	FOR LK-19-03B-BS-3-01, LK-19-0B-BS,LK--1900B-BF					2	
41		HX00150000N		CABLE CLIP	FOR LK-19-03B-BS-3-01, LK-19-0B-BS,LK--1900B-BF					1	
42		SL4041091SC		SCREW M4 L=10	FOR LK-19-03B-BS-3-01, LK-19-0B-BS,LK--1900B-BF					4	
43		40151278		FINGER_GUARD_RIGHT	FOR LK-19-03B-BS-3-01, LK-19-0B-BS,LK--1900B-BF					1	
44		40151279		FINGER_GUARD_LEFT	FOR LK-19-03B-BS-3-01, LK-19-0B-BS,LK--1900B-BF					1	
45		SM4040655SP		SCREW M4 L=6	FOR LK-19-03B-BS-3-01, LK-19-0B-BS,LK--1900B-BF					3	
46		WP0430800SC		WASHER M4	FOR LK-19-03B-BS-3-01, LK-19-0B-BS,LK--1900B-BF					3	
47		40146831		BUTTON_RISING_BAR	FOR LK-19-03B-BS-301				☆	1	
48		MDP170B1102		NEEDLE DPX17#11-2	FOR LK-19-03B-BS-3-01, LK-1900B-BF					1	
49		HX00150000H		CABLE CLIP	FOR LK-19-03B-BS-3-01, LK-19-0B-BS,LK--1900B-BF					1	
50		EA9500B0100		CABLE BAND						6	

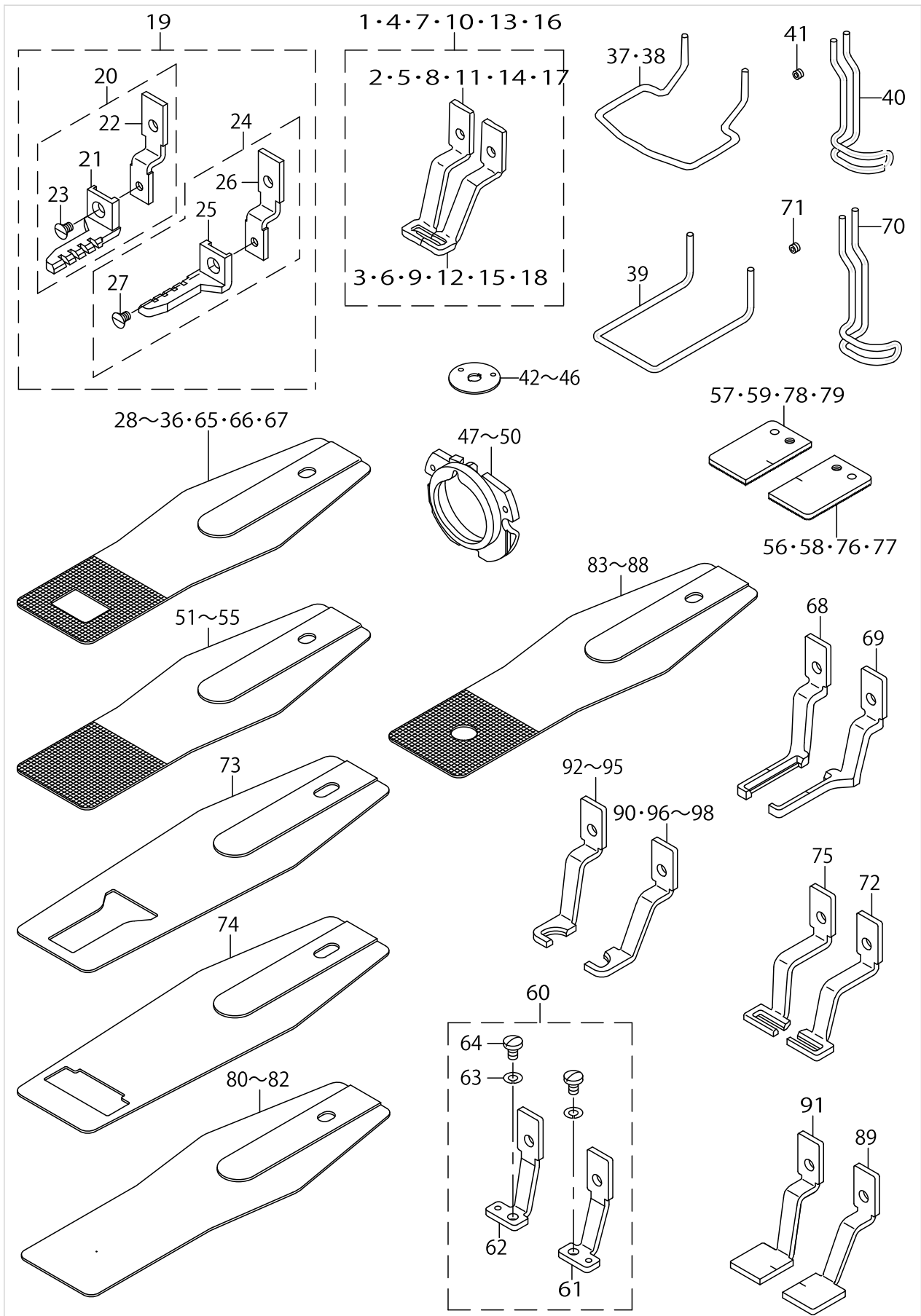
OPTION COMPONENTS (1)



OPTION COMPONENTS (1)

No.	Supply Code	Parts No.	Replacement	Parts name	Remarks	Choice	Step	Level	Cons	Qty	Rep. QTY
1		13518659		WORK CLAMP FOOT ASM.						1	
2		13518600		WORK CLAMP FOOT (RIGHT)				*		1	
3		13518709		WORK CLAMP FOOT (LEFT)				*		1	
4		13548557		WORK CLAMP FOOT ASM.						1	
5		13548508		WORK CLAMP FOOT (RIGHT)				*		1	
6		13548607		WORK CLAMP FOOT (LEFT)				*		1	
7		13548151		CLOTH PRESSER FOOT ASM.						1	
8		13548102		WORK CLAMP FOOT (RIGHT)				*		1	
9		13548201		WORK CLAMP FOOT (LEFT)				*		1	
10		13542451		WORK CLAMP FOOT ASM.						1	
11		13542402		WORK CLAMP FOOT (RIGHT)				*		1	
12		13542501		WORK CLAMP FOOT (LEFT)				*		1	
13		13542964		PRESSER ASM.						1	
14		13542915		WORK CLAMP FOOT (RIGHT)				*		1	
15		13543012		WORK CLAMP FOOT (LEFT)				*		1	
16		13571955		WORK CLAMP FOOT ASM.						1	
17	R	13571906	13571955	CLOTH PRESSER FOOT (RIGHT)				*		1	1.00
18	R	13572003	13571955	CLOTH PRESSER FOOT (LEFT)				*		1	1.00
19		13561360		WORK CLAMP FOOT ASM.						1	
20		13561352		WORK CLAMP FOOT ASM. (RIGHT)				*		1	
21		13561303		CLOTH PRESSER FOOT (RIGHT)				*		1	
22		13562509		PRESSER FOOT SLIDING PLATE (RIGHT)				*		1	
23		SS1110640TP		SCREW 11/64-40 L=5.5				*		1	
24		13561451		WORK CLAMP FOOT ASM. (LEFT)				*		1	
25		13561402		CLOTH PRESSER FOOT (LEFT)				*		1	
26		13562608		PRESSER FOOT SLIDING PLATE (LEFT)				*		1	
27		SS1110640TP		SCREW 11/64-40 L=5.5				*		1	
28		14116107		FEED PLATE A						1	
29		14116404		FEED PLATE D						1	
30		14116305		FEED PLATE C						1	
31		13548003		FEED PLATE						1	
32		13554506		FEED PLATE						1	
33		14116602		FEED PLATE F						1	
34		14116206		FEED PLATE B						1	
35		14116503		FEED PLATE E						1	
36		14116701		FEED PLATE G						1	
37	R	13533104	26224204	FINGER GUARD						1	1.00
38		13548300		FINGER GUARD						1	
39		13573407		FINGER GUARD						1	
40		14120000		FINGER GUARD						1	
41		SM8040302TP		SETSCREW						1	
42		B2426280000		NEEDLE HOLE GUIDE					☆	1	
43		B242628000B		NEEDLE HOLE GUIDE B					☆	1	
44		14109607		NEEDLE HOLE GUIDE					☆	1	
45		D2426282C00		NEEDLE HOLE GUIDE					☆	1	

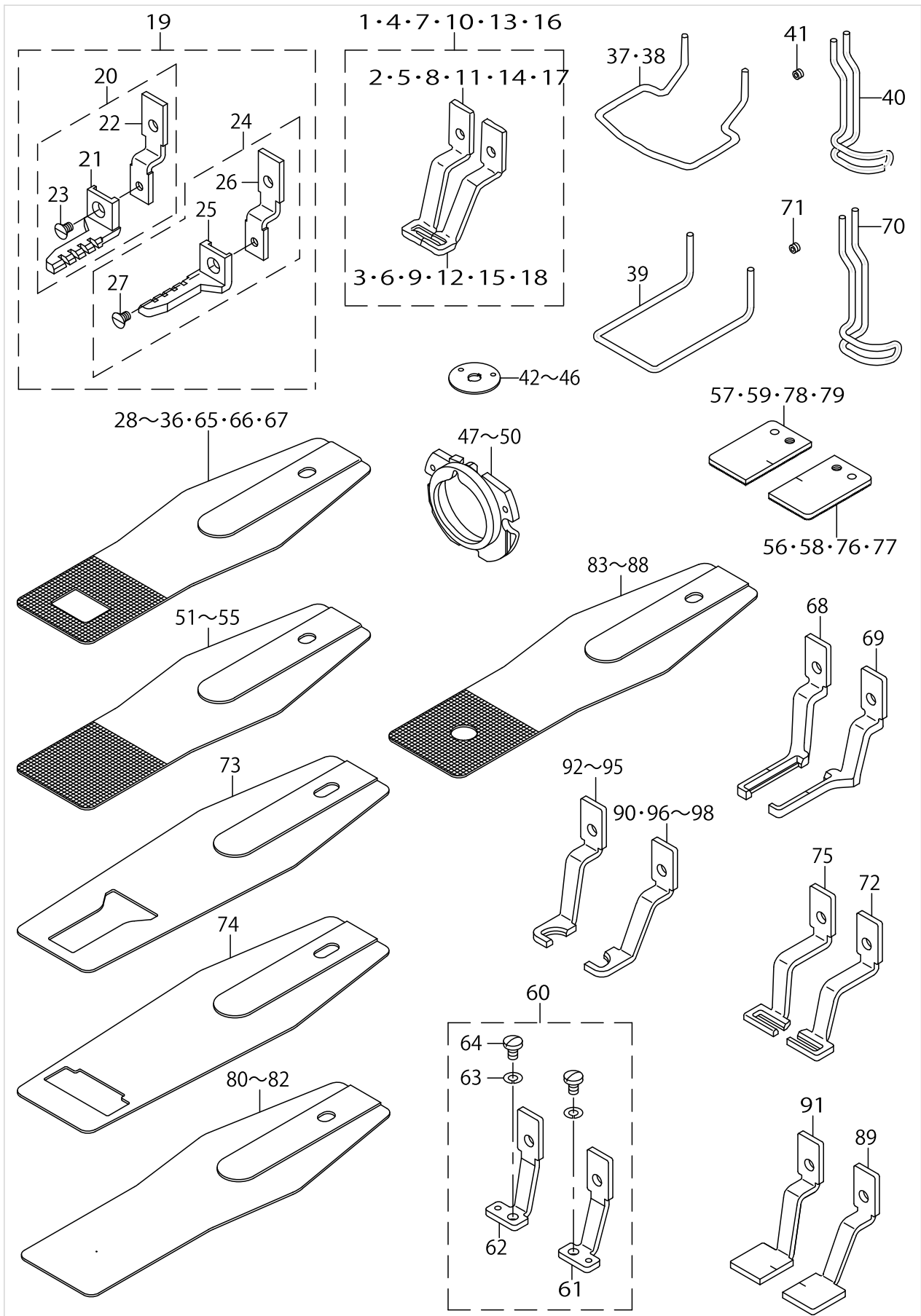
OPTION COMPONENTS (1)



OPTION COMPONENTS (1)

No.	Supply Code	Parts No.	Replacement	Parts name	Remarks	Choice	Step	Level	Cons	Qty	Rep. QTY
46		D2426MMCK00		NEEDLE HOLE GUIDE					☆	1	
47		14103253		INNER HOOK PRESSER ASM. A						1	
48		14103352		INNER HOOK PRESSER ASM. B						1	
49		14103659		SHUTTLE RACE RING ASM. C						1	
50		B1817210DAD		SHUTTLE RACE RING ASM. D						1	
51		14120109		FEED PLATE BLANK A						1	
52		14120208		FEED PLATE BLANK B						1	
53		14120505		FEED PLATE BLANK C						1	
54		14120307		FEED PLATE BLANK D						1	
55		14120406		FEED PLATE BLANK E						1	
56		14121701		CLOTH PRESSER B-LANK RIGHT(SURFACE)						1	
57		14121800		CLOTH PRESSER B-LANK LEFT(SURFACE)						1	
58		14121909		CLOTH PRESSER BLANK RIGHT						1	
59		14122006		CLOTH PRESSER BLANK LEFT						1	
60		14121263		WORK CLAMP FOOT ASM.						1	
61		14121255		WORK CLAMP FOOT ASM. (RIGHT)					*	1	
62		14121354		WORK CLAMP FOOT ASM. (LEFT)					*	1	
63		WS0451040KP		SPRING WASHER 4.5X8.5X1					*	2	
64		SS7110710SP		SCREW 11/64-40 L=7					*	2	
65		14116800		FEED PLATE H						1	
66		14116909		FEED PLATE I						1	
67		13554803		FEED PLATE						1	
68		14137608		WORK CLAMP FOOT A (LEFT)						1	
69		14137509		WORK CLAMP FOOT A (RIGHT)						1	
70		14135305		FINGER GUARD						1	
71		SM8040302TP		SETSCREW						1	
72		14137806		CLOTH PRESSER FOOT B (RIGHT)						1	
73		14137707		CLOTH PRESSER LOWER PLATE A						1	
74		14138002		CLOTH PRESSER LOWER PLATE B						1	
75		14137905		CLOTH PRESSER FOOT B (LEFT)						1	
76		40021851		WORK CLAMP BLANK RIGHT(PLATING)						1	
77		40021853		WORK CLAMP BLANK RIGHT(NO PLATING)						1	
78		40021852		WORK CLAMP BLANK LEFT(PLATING)						1	
79		40021854		WORK CLAMP BLANK LEFT(NO PLATING)						1	
80		40021855		FEED PLATE A(NO GIZA/PLATING)						1	
81		40021856		FEED PLATE B(NO GIZA/NO PLATING)						1	
82		40021857		FEED PLATE C(NO GIZA/SUS)						1	
83		40021858		FEED PLATE D(GIZA/PLATING)						1	
84		40021859		FEED PLATE E(GIZA/NO PLATING)						1	
85		40021873		FEED PLATE D9-14						1	
86		40021876		FEED PLATE 12						1	
87		40021879		FEED PLATE 10						1	
88		40021882		FEED PLATE 14						1	

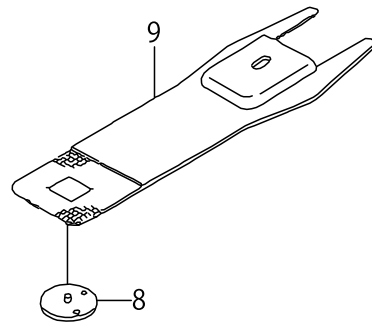
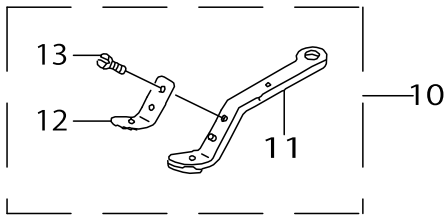
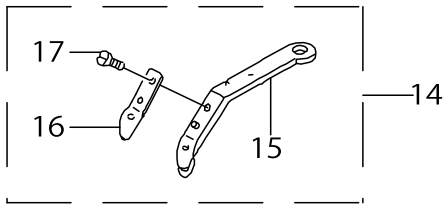
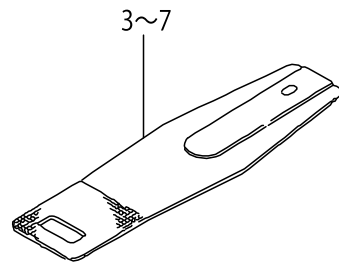
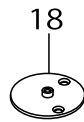
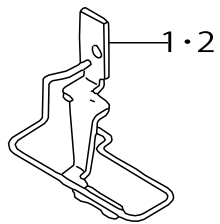
OPTION COMPONENTS (1)



OPTION COMPONENTS (1)

No.	Supply Code	Parts No.	Replacement	Parts name	Remarks	Choice	Step	Level	Cons	Qty	Rep. QTY
89		40021870		WORK CLAMP FOOT BLANK (LEFT)						1	
90		40021872		WORK CLAMP FOOT D9-14 (LEFT)						1	
91		40021869		WORK CLAMP FOOT BLANK (RIGHT)						1	
92		40021871		WORK CLAMP FOOT D9-14 (RIGHT)						1	
93		40021874		WORK CLAMP FOOT 12 (RIGHT)						1	
94		40021877		WORK CLAMP FOOT 10 (RIGHT)						1	
95		40021880		WORK CLAMP FOOT 14 (RIGHT)						1	
96		40021875		WORK CLAMP FOOT 12 (LEFT)						1	
97		40021878		WORK CLAMP FOOT 10 (LEFT)						1	
98		40021881		WORK CLAMP FOOT 14 (LEFT)						1	

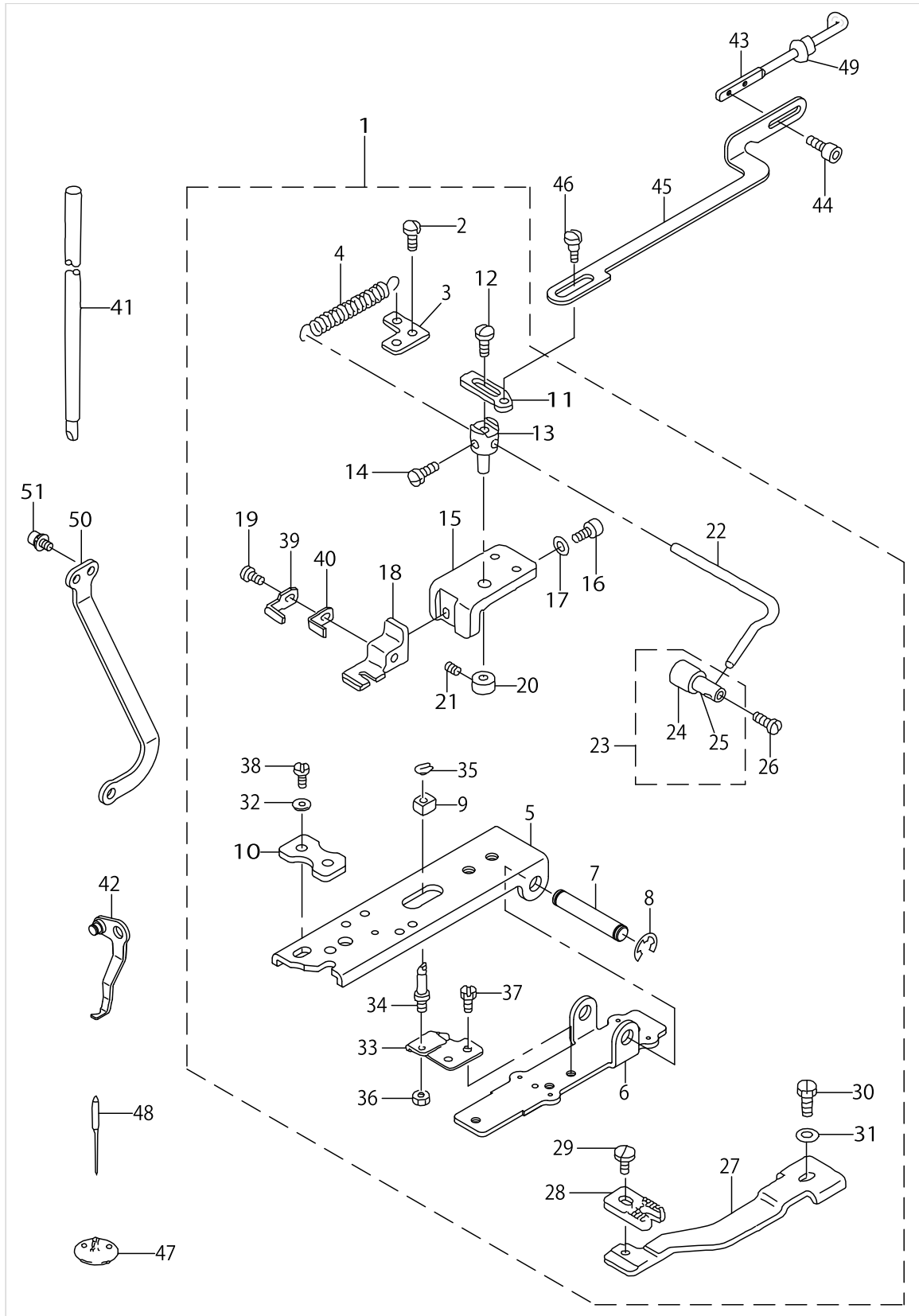
OPTION COMPONENTS (2) (FOR LK-1902B,LK-1903B)



OPTION COMPONENTS (2) (FOR LK-1902B,LK-1903B)

No.	Supply Code	Parts No.	Replacement	Parts name	Remarks	Choice	Step	Level	Cons	Qty	Rep. QTY
1		13545660		WORK CLAMP FOOT ASM.	FOR LK-1902B					1	
2		13547161		WORK CLAMP FOOT ASM.	FOR LK-1902B					1	
3		13545504		FEED PLATE	FOR LK-1902B					1	
4		13545801		FEED PLATE	FOR LK-1902B					1	
5		13547005		FEED PLATE	FOR LK-1902B					1	
6		13546700		CLOTH PRESSER PLATE	FOR LK-1902B					1	
7		13548706		CLOTH PRESSER LOWER PLATE	FOR LK-1902B					1	
8		MAZ15701000		GUIDE	FOR LK-1903B				☆	1	
9		MAZ15702000		PRESSURE PLATE	FOR LK-1903B					1	
10		MAZ157070BB		LARGE CLAMP JAW LEVER ASM. (RIGHT)	FOR LK-1903B					1	
11	R	MAZ157070AB	MAZ157070BB	LARGE CLAMP JAW LEVER ASM. (RIGHT)					*	1	1.00
12		MAZ15709000		SPRING (RIGHT)					* ☆	1	
13		SS7090410SP		SCREW 9/64-40 L=3.5					*	1	
14		MAZ157080BB		LARGE CLAMP JAW LEVER ASM. (LEFT)	FOR LK-1903B					1	
15	R	MAZ157080AB	MAZ157080BB	LARGE CLAMP JAW LEVER ASM. (LEFT)					*	1	1.00
16		MAZ15710000		SPRING (LEFT)					* ☆	1	
17		SS7090410SP		SCREW 9/64-40 L=3.5					*	1	
18		14149603		GUIDE	FOR LK-1903B				☆	1	

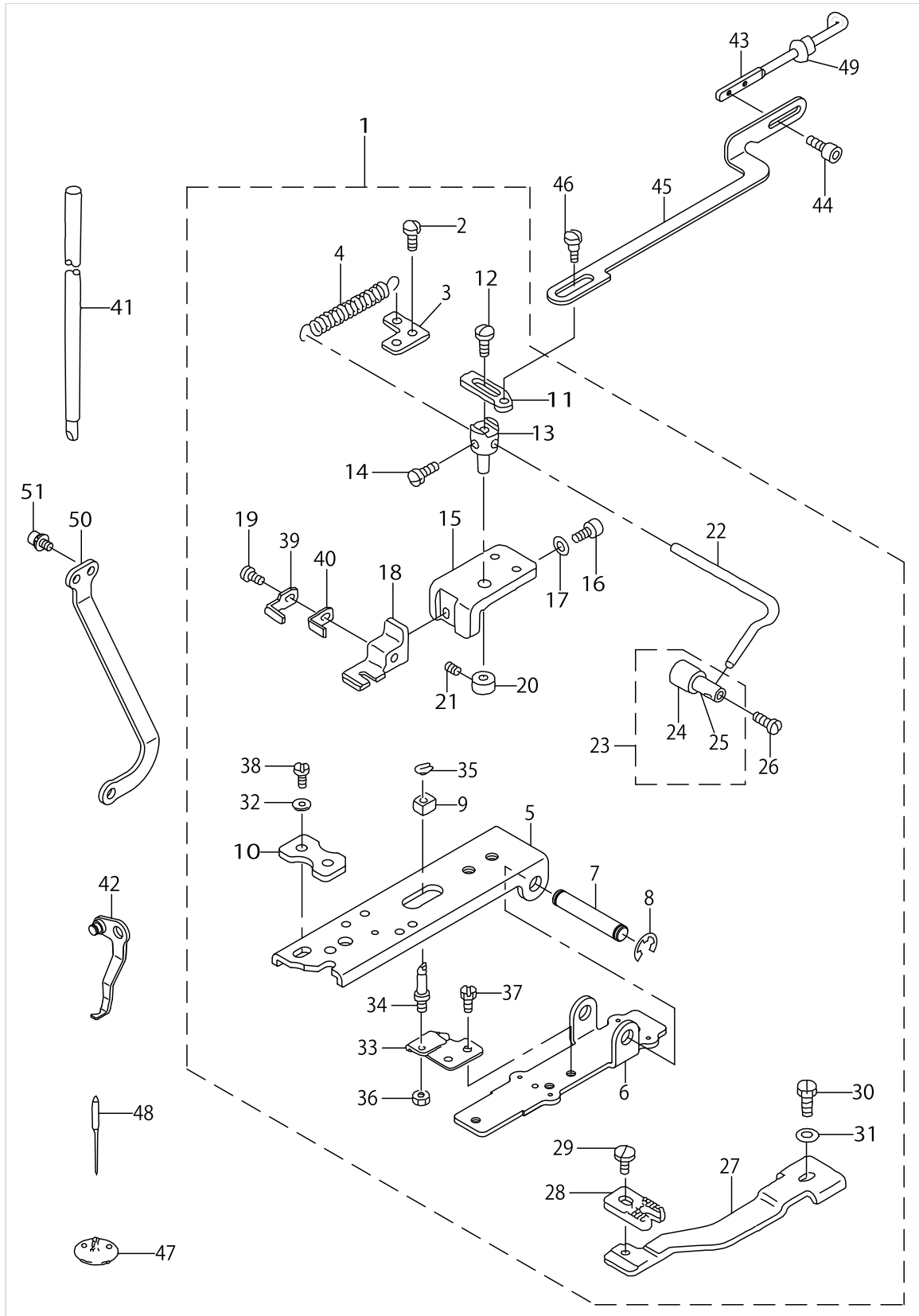
OPTION COMPONENTS (3) (FOR LK-1903B SHANK BUTTON)



OPTION COMPONENTS (3) (FOR LK-1903B SHANK BUTTON)

No.	Supply Code	Parts No.	Replacement	Parts name	Remarks	Choice	Step	Level	Cons	Qty	Rep. QTY
1		14146054		PICK-UP DEVICE COMPL.						1	
2		SS7110740TP		SCREW 11/64-40 L=7				*		2	
3		MAZ16012000		LEVER SPRING HOOK				*		1	
4		MAZ16013000		BUTTON SUPPORT LEVER SPRING				*		1	
5		14146203		PICK-UP FOOT INSTALLING BASE				*		1	
6		14146104		PICK-UP INSTALLING BASE				*		1	
7		14141402		INSTALLING SHAFT				*		1	
8		RE0700000K0		E-RING 7				*		2	
9		MAZ15515000		SLIDE BLOCK				*		1	
10		14146401		PRESSER PLATE				*		1	
11		MAZ16014000		BUTTON SUPPORT RELEASE LEVER				*		1	
12		SS7110740TP		SCREW 11/64-40 L=7				*		1	
13		MAZ16011000		BUTTON SUPPORT LEVER SHAFT				*		1	
14		SS7110740TP		SCREW 11/64-40 L=7				*		1	
15		MAZ16004000		BUTTON CLAMP BASE				*		1	
16		SS6111052TP		SCREW				*		1	
17		WP0482086SD		WASHER 4.8X11.5X2				*		1	
18		MAZ16005000		BUTTON CLAMP BASE				*		1	
19		SS7090510SP		SCREW 9/64-40 L=4.6				*		1	
20		CS0640811SP		THRUST COLLAR D=6.35 W=8				*		1	
21		SS8110410TP		SCREW 11/64-40 L=3.5				*		1	
22		MAZ16010000		BUTTON SUPPORT LEVER				*		1	
23		MAZ160090A0		BUTTON SUPPORT RUBBER ASM.				*		1	
24		MAZ16009000		BUTTON SUPPORT RUBBER				*		1	
25		B2406372000		SHANK BUTTON HOLDING CLAMP				*		1	
26		SS7110740TP		SCREW 11/64-40 L=7				*		1	
27		MAZ16002000		FEED PLATE				*		1	
28		MAZ1600300A		FEED PLATE A				*		1	
29		SS6110480SP		SCREW 11/64-40 L=4.3				*		1	
30		SS9111010SP		SCREW 11/64-40 L=9.5				*		1	
31		WP0482086SD		WASHER 4.8X11.5X2				*		1	
32		WP0501016SD		WASHER 5X10.5X1				*		2	
33		MAZ15514000		SUPPORT PLATE				*		1	
34		13540901		STATIONING BLOCK SHAFT				*		1	
35		D2548232D00		SNAP RING FOR C- ONNECTING ROD				*		1	
36		NS6150310SP		NUT 15/64-28				*		1	
37		SS9110460CP		SCREW 11/64-40 L=4				*		2	
38		SS9621413SP		SCREW 3/16-32 L=13.5				*		2	
39		MAZ16022000		BUTTON CLAMP S- UPPORT (FRONT)				*		1	
40		MAZ16023000		BUTTON CLAMP SUPPORT (REAR)				*		1	
41		D1401M1YC0A		NEEDLE BAR						1	
42		MAZ160170A0		WIPER ASM.						1	
43		13810908		MOVINGPLATELINKA						1	
44		SS6090612TP		SCREW 9/64-40 L=6						2	
45		MAZ16015000		BUTTON SUPPORT LINK						1	

OPTION COMPONENTS (3) (FOR LK-1903B SHANK BUTTON)



OPTION COMPONENTS (3) (FOR LK-1903B SHANK BUTTON)

No.	Supply Code	Parts No.	Replacement	Parts name	Remarks	Choice	Step	Level	Cons	Qty	Rep. QTY
46		SD0640321TP		HINGE SCREW D=6.35 H=3.2						1	
47		MAZ16021000		NEEDLE HOLE GUIDE					☆	1	
48		MTQ300B1400		NEEDLE TQX3 #14					☆	1	
49		14148209		BUSHING						1	
50		40010103		CONNECTING LINK						1	
51		SL6040892TN		BOLT						2	

LIST FOR INFORMATION OF CHANGE (1)

As to the place changed, refer to the corresponding Rev.No.
 When previous parts(Obsoleted part)and new parts(Added parts)are
 not interchangeable with each other:
 In this case,even obsoleted parts(D.)can be ordered with the
 obsoleted part number,so select the parts with changed dates and
 place your orders.

変更箇所は、該当Rev.No.版をご参照ください。
 部品の互換性がない変更の場合は、削除された品番でも、ご注文できます。

No.1653-04 Rev.No.

*A:Added parts追加部品/D:Obsoleted parts削除部品/E:Erratum訂正

* Rev. No.	Page 頁	Ref. No.	Parts No. 品番	* Rev. No.	Page 頁	Ref. No.	Parts No. 品番
D 03	40	33	401-46844	A 04	40	33	401-63512
				A 04	40	49	401-63455
				A 04	40	50	BT-0600401-E0
				A 04	40	51	HX-0031400-0D
D 03	44	1	401-46848	A 04	44	1	401-62729
D 03	44	2	401-53236	A 04	44	2	401-62730
D 03	44	3	401-46807	A 04	44	3	401-62660
D 03	44	4	SS-8060210-TP	A 04	44	4	SS-1060210-TP
D 03	44	6	401-46813	A 04	44	6	401-62659
D 03	44	9	401-46816				
D 03	44	10	401-46817	A 04	44	10	401-62687
D 03	44	11	401-53233	A 04	44	11	401-62688
D 03	44	12	401-46821	A 04	44	9	401-62664
				A 04	44	12	WP-0510516-SD
D 03	44	13	SM-6850802-TN				
D 03	44	14	401-46845				
D 03	44	30	401-46849	A 04	44	30	401-62731
D 03	44	31	401-53222	A 04	44	31	401-62732
D 03	44	32	401-46822	A 04	44	32	401-62664
D 03	44	51	401-52556	A 04	44	51	401-62665
D 03	44	52	401-52555	A 04	44	52	401-63515
D 03	44	54	401-46818	A 04	44	54	401-58171
D 03	44	56	401-46814	A 04	44	56	401-58169
D 03	44	58	401-53194	A 04	44	13	401-57670
D 03	44	60	PA-1000401-A0	A 04	44	58	PA-1000402-A0
				A 04	44	59	BT-0400251-EB
				A 04	44	60	BT-0600401-E0
D 03	46	1	401-46852	A 04	46	1	401-63528
D 03	46	14	401-46811	A 04	46	14	401-63514
				A 04	46	20	WP-0370316-SD
D 03	48	1	PJ-0325260-01	A 04	48	1	PJ-0252000-04
D 03	48	2	400-03560	A 04	48	2	401-63610
D 03	48	3	PJ-3080652-02	A 04	48	3	PJ-3080852-02
D 03	48	4	PV-1202050-00	A 04	48	4	PV-1202060-00
D 03	48	5	PJ-3080600-03	A 04	48	5	PJ-3080800-03
D 03	48	8	F1012-003-0A0				

HOW TO MAKE USE OF THIS PARTS LIST

1.Explanation of codes

1)"*"mark.....means this part is changed from the previous parts book.

As to the details of the change, refer to the "List for information of change".

2)"#01".....refer to "Note" explanation at bottom of page.

2.Codes on the "Qty" column

- Each numeral indicates the number of parts required.
- "0.1" and "2.5" indicate the length (in meters) of the respective parts.

3.Parentheses mean that the corresponding part is a subpart that constructs an assembly part.

4.Dotted lines on the Figures indicate assembly parts.

5.As to the parts with marks of "☆"(consumable parts) and "◎"(optional parts)on the respective parts, it is recommended to prepare spares.

1 ."注記"欄の記号説明

1) "*"印.....前回のパーツブックに比較して今回変更された部品を意味します。

変更内容は、"変更情報リスト"を参照してください。

2) "#01".....ページ下の"注記"の説明を参照してください。

2.数量欄の数字は、個数を表し、0.1、2.5等の数値は、長さ（単位メートル）を表します。

3.数量欄の（ ）は、組部品を構成している子部品であることを意味します。

4.イラストページの-----枠は、組構成であることを意味します。

5.リストページの"☆"（消耗部品）、"◎"（オプション部品）の印がついた部品は、予備を準備しておくことをお奨めします。

NUMERICAL INDEX OF PARTS

PART NO	PAGE	REF NO.	PART NO	PAGE	REF NO.	PART NO	PAGE	REF NO.
10108009	6	16	13543905	60	59	13572003	90	3·6·9·12-- 15·18
10502300	4	46	13544051	58	43	13573407	48	27
11072402	2	27	13544465	60	47	13573407	90	39
11155108	36	31	13544614	60	49	13705108	2	39
11155207	36	32	13544705	60	61	13786306	58	7
11158300	36	8	13545504	96	3~7	13810908	98	43
11158409	36	9	13545660	96	1·2	13811906	68	58
11158516	36	12	13545801	96	3~7	13811906	76	46
11158607	36	10	13546700	96	3~7	13812003	68	57
11159001	36	15	13547005	96	3~7	13812003	76	45
12258000	50	37	13547161	96	1·2	13812102	16	54·70
13508700	2	16	13548003	90	28~36·65 ~67	13812102	48	33
13508700	72	44	13548102	28	61·63·65	13817754	36	14
13509807	4	53	13548102	90	2·5·8·11-- 14·17	13889407	86	6
13518501	28	54	13548151	90	1·4·7·10-- 13·16	14101208	48	17
13518600	28	61·63·65	13548201	28	62·64·66	14103253	14	45~47
13518600	90	2·5·8·11-- 14·17	13548201	90	3·6·9·12-- 15·18	14103253	92	47~50
13518659	90	1·4·7·10-- 13·16	13548300	28	58·59	14103352	16	45~47
13518709	28	62·64·66	13548300	90	37·38	14103352	50	8
13518709	90	3·6·9·12-- 15·18	13548508	90	2·5·8·11-- 14·17	14103352	58	10·15
13529607	14	34	13548557	90	1·4·7·10-- 13·16	14103352	70	18
13533104	90	37·38	13548607	90	3·6·9·12-- 15·18	14103352	92	47~50
13540604	52	48	13548706	96	3~7	14103659	16	45~47
13540901	66	13	13554506	90	28~36·65 ~67	14103659	58	10·15
13540901	74	13	13554803	26	31	14103659	92	47~50
13540901	98	34	13554803	92	28~36·65 ~67	14103907	14	27
13541107	54	25	13561303	90	21	14104004	14	25
13541404	54	7	13561352	90	20	14104400	10	32
13541503	54	38	13561360	90	19	14105407	28	53
13541602	54	45	13561402	90	25	14109607	22	22~24
13542402	90	2·5·8·11-- 14·17	13561451	90	24	14109607	58	26·27
13542451	90	10	13562509	90	22	14109607	90	42~46
13542501	90	3·6·9·12-- 15·18	13562608	90	26	14113450	2	24
13542915	28	61·63·65	13571906	48	37	14113468	2	23
13542915	90	2·5·8·11-- 14·17	13571906	90	2·5·8·11-- 14·17	14115554	32	20
13542964	90	1·4·7·10-- 13·16	13571955	90	1·4·7·10-- 13·16	14116107	26	29
13543012	28	62·64·66	13572003	48	38	14116107	90	28~36·65 ~67
13543012	90	3·6·9·12-- 15·18				14116206	26	30
13543715	60	50				14116206	90	28~36·65 ~67
13543806	60	54				14116305	90	28~36·65 ~67
						14116404	26	32·33

NUMERICAL INDEX OF PARTS

PART NO	PAGE	REF NO.	PART NO	PAGE	REF NO.	PART NO	PAGE	REF NO.
14116404	90	28~36·65 ~67	14141402	54	19	22901409	4	81
14116503	48	25·26	14141402	66	36	22901805	4	47
14116503	90	28~36·65 ~67	14141402	74	24	22902506	2	11
14116602	90	28~36·65 ~67	14141402	98	7	22920508	2	37
14116701	90	28~36·65 ~67	14141501	54	36	22921506	18	30
14116800	26	32·33	14141758	50	32	22921605	18	40
14116800	92	28~36·65 ~67	14142103	52	46	22928808	18	29
14116909	48	25·26	14143002	58	13	22928808	68	54
14116909	92	28~36·65 ~67	14145106	66	1	22928808	74	42
14118053	36	2	14145106	74	1·52	22932800	48	2
14118152	36	4	14145650	66	4·5	22933105	48	23
14118251	36	5	14145858	66	4·5	22933204	48	24
14120000	90	40	14146054	98	1	23517501	22	44~47
14120109	92	51~55	14146104	66	6	23517600	22	44~47
14120208	92	51~55	14146104	74	6	23517709	24	44~47
14120307	92	51~55	14146104	98	6	23517808	24	44~47
14120406	92	51~55	14146203	66	7	23630007	14	33
14120505	92	51~55	14146203	74	7	23638109	32	8
14121255	92	61	14146203	98	5	23638208	32	10
14121263	92	60	14146302	66	8	23638406	32	11
14121354	92	62	14146302	74	8	26037200	48	5
14121701	92	56·58·76·77	14146401	66	14	26204008	28	51
14121800	92	57·59·78·79	14146401	74	14	26204107	28	52
14121909	92	56·58·76·77	14146401	98	10	26211904	2	33
14122006	92	57·59·78·79	14146708	86	19	26218008	10	36
14135305	92	70	14146757	86	15	26218602	18	31
14137509	92	69	14146807	86	18	26221101	2	17
14137608	92	68	14146906	68	56	26221101	72	45
14137707	92	73	14146906	76	44	26221200	4	83
14137806	92	72	14148209	100	49	26222703	26	12
14137905	92	75	14148407	50	38	26223305	26	14
14138002	92	74	14148407	66	3	26223503	26	21
14140206	54	35	14148407	74	3	26224105	28	55
14140255	54	6	14148803	86	24	26224204	28	58·59
14140354	54	18	14148852	86	21	26224808	26	43
14140552	54	26	14148902	86	29	26224808	60	57
14140750	54	33	14148951	86	27	26226209	10	13
14140909	54	22	14149009	66	19	26229302	58	42
14141055	54	13	14149058	66	15	26260109	4	62
14141105	54	15	14149108	66	25	26260208	4	63
14141204	54	31	14149157	66	21	26260307	4	69
			14149603	96	18	26260505	4	73
			16121907	84	25	26260604	4	75
			17007402	36	11	26260703	4	77
			17848458	86	11	26260802	4	59

NUMERICAL INDEX OF PARTS

PART NO	PAGE	REF NO.	PART NO	PAGE	REF NO.	PART NO	PAGE	REF NO.
26260901	4	64	40006665	10	20	40010426	6	23
26261008	4	65	40006666	10	14	40010426	62	5
26261107	4	66	40006671	10	24	40010426	70	5
26261206	4	72	40006678	10	46	40010439	8	65
26261305	4	70	40006712	22	6	40010440	8	66
26261503	4	78	40006716	10	9	40010443	10	16
26261602	4	60	40006716	22	9	40010450	10	31
26261701	4	61	40006717	22	11	40010451	10	37
26500306	8	61	40006737	26	24	40010455	10	39
26501502	26	9	40006738	26	17	40010457	10	40
26501858	14	24	40006739	26	25	40010458	10	41
40004254	10	5	40006740	26	22	40010460	10	34
40005390	42	14~16	40006761	30	22	40010464	14	6
40005390	44	7~9	40006762	82	3	40010467	14	7
40005712	58	12	40006765	82	4	40010469	14	8
40005728	44	15	40006776	30	29	40010470	6	38
40005728	50	2	40006776	82	25	40010470	16	71
40005732	32	3	40006780	30	11	40010471	14	18
40005732	44	20	40006781	82	12	40010475	16	57
40005734	32	12	40006836	16	65	40010477	18	6
40006323	48	13	40006840	16	64	40010478	18	39
40006475	2	1	40006912	44	16	40010479	18	8
40006478	2	3	40006912	50	31	40010482	18	11
40006481	2	10	40006913	50	35	40010486	18	15
40006484	48	3	40006914	50	44	40010487	18	17
40006485	86	5	40006935	54	1	40010489	18	22
40006487	2	7	40006935	66	2	40010490	18	20
40006488	2	8	40006935	74	2	40010492	18	12
40006495	32	6	40006937	64	50	40010495	18	13
40006495	44	18	40006937	70	26	40010497	18	21
40006496	32	7	40008693	10	27	40010498	18	23
40006497	32	9	40009290	2	21	40010500	18	25
40006515	8	55	40009860	64	53	40010503	18	27
40006516	6	44	40009860	70	29	40010504	18	28
40006525	50	39	40010103	100	50	40010508	18	32
40006525	58	3	40010404	2	5	40010509	18	44
40006525	64	54	40010405	2	13	40010510	18	33
40006525	70	30	40010414	2	31	40010511	18	34
40006575	14	37	40010417	6	3	40010512	18	35
40006577	14	28	40010424	6	21	40010513	18	36
40006578	14	15	40010424	62	3	40010514	18	37
40006617	18	5	40010424	70	3	40010515	18	38
40006622	18	26	40010425	6	22	40010521	18	41
40006625	18	4	40010425	62	4	40010522	18	42
40006661	10	8	40010425	70	4	40010523	18	43

NUMERICAL INDEX OF PARTS

PART NO	PAGE	REF NO.	PART NO	PAGE	REF NO.	PART NO	PAGE	REF NO.
40010525	22	12	40021875	94	90·96~98	40085790	34	8
40010526	22	16	40021876	92	83~88	40085791	34	9
40010527	30	25	40021877	94	92~95	40085792	34	10
40010536	26	7	40021878	94	90·96~98	40085793	34	11
40010570	28	71	40021879	92	83~88	40085794	34	12
40010571	2	35	40021880	94	92~95	40085795	34	13
40010574	8	50	40021881	94	90·96~98	40085796	34	16
40010575	14	13	40021882	92	83~88	40089365	14	19
40010589	82	9	40023371	42	14~16	40089982	60	51
40010590	30	10	40023371	44	7~9	40090010	60	52
40010879	16	51·52	40023635	78	20	40090011	60	46
40011152	30	27	40023831	10	11	40090012	58	41
40011152	82	23	40026818	6	14	40090058	8	47
40011511	16	51·52	40030828	2	29·85	40096325	34	14
40011512	16	48·49	40030939	6	12	40096326	34	17
40011949	50	3	40030942	30	17	40096327	34	19
40011949	62	17	40030942	82	17	40096354	34	1
40011949	70	17	40030943	30	15	40102261	4	45
40012127	14	2	40033047	64	51	40103154	28	68
40012815	30	19	40033047	70	27	40103155	28	67
40012815	82	19	40033635	86	12	40105465	38	15·35
40013721	14	4	40036110	48	12	40105465	44	26·27
40013967	18	45	40039013	26	41	40110812	8	64
40014963	16	48·49	40040256	10	6	40110813	8	67
40014965	16	66~68	40040256	22	4	40110825	6	7
40015800	30	5	40042134	42	7	40110827	16	59
40015800	82	5	40048536	48	1	40110830	14	10
40016194	48	32	40051987	48	4	40110841	6	25
40016195	48	11	40052810	86	7	40110841	62	7
40017202	10	42	40076232	30	16	40110841	70	7
40021851	92	56·58·76·77	40076233	30	3	40110842	6	26
40021852	92	57·59·78·79	40076236	30	12	40110842	62	8
40021853	92	56·58·76·77	40076237	30	9	40110842	70	8
40021854	92	57·59·78·79	40076238	30	4	40110844	48	22
40021855	92	80~82	40076239	30	14	40110846	16	66~68
40021856	92	80~82	40083882	10	26	40110846	50	9
40021857	92	80~82	40083883	26	36	40110846	58	16·17
40021858	92	83~88	40083884	28	48	40110846	62	19
40021859	92	83~88	40083885	26	45	40110846	70	19
40021869	94	91	40085784	34	2	40110856	14	38
40021870	94	89	40085785	34	3	40111214	38	17
40021871	94	92~95	40085786	34	4	40111214	44	14
40021872	94	90·96~98	40085787	34	5	40112990	6	6
40021873	92	83~88	40085788	34	6	40112993	6	11
40021874	94	92~95	40085789	34	7	40112994	14	11

NUMERICAL INDEX OF PARTS

PART NO	PAGE	REF NO.	PART NO	PAGE	REF NO.	PART NO	PAGE	REF NO.
40112995	16	66~68	40142665	38	1~6	40142735	26	27
40112995	58	16·17	40142674	2	15	40142736	26	42
40113427	42	9·10	40142675	2	20	40142737	30	1
40113427	44	10·11	40142677	2	18	40142738	82	21
40114136	40	49	40142677	72	42	40142739	30	26
40114373	40	53	40142678	6	1	40142739	82	22
40114373	44	28	40142681	8	57	40142740	4	56
40114375	40	54	40142685	6	2	40142747	32	5
40114375	44	29	40142686	6	4	40142747	44	19
40114398	38	16	40142687	16	55	40142773	4	71
40115874	38	7	40142688	16	56	40142785	62	1
40115876	38	9	40142689	6	19	40142785	70	1
40115877	38	10	40142691	6	20	40142786	62	10
40115878	38	11	40142691	62	2	40142786	70	10
40115879	38	12	40142691	70	2	40142787	62	13
40136292	6	39·40	40142692	6	28	40142787	70	13
40136293	6	41·42	40142693	6	31	40142790	62	14
40137360	38	13·14	40142696	6	32	40142790	70	14
40137360	44	1·35	40142697	6	30	40142806	6	33
40137370	32	16	40142697	62	12	40142807	62	15
40137370	44	21	40142697	70	12	40142807	70	15
40138137	6	37	40142701	6	29	40142812	4	79
40138137	44	13	40142701	62	11	40143093	36	1
40139091	84	8	40142701	70	11	40143988	40	36·48
40139176	26	1	40142704	8	68	40143989	40	36·48
40139176	44	22	40142705	8	48	40143990	38	8
40139177	26	5	40142706	8	49	40144258	4	29·85
40139177	44	23	40142719	14	35	40144511	40	62
40139178	10	1	40142720	22	18~20	40144696	6	41·42
40139178	44	24	40142720	50	10	40144697	6	39·40
40139179	30	30	40142720	58	18·19	40144886	46	3·32~34
40139179	44	25	40142721	22	18~20	40145901	40	15·35
40139179	82	26	40142721	58	18·19	40145901	44	26·27
40141487	40	52	40142722	22	18~20	40146292	42	1·17·18
40141487	44	12	40142723	62	20·21	40146292	46	3·32~34
40141488	40	50	40142724	62	20·21	40146295	40	51
40141488	44	5·6	40142725	22	26	40146295	44	5·6
40142267	40	46	40142725	50	14	40146296	42	3
40142267	44	2	40142725	58	29	40146296	44	4
40142272	42	1·17·18	40142725	62	29	40146806	78	5
40142272	44	3·32~34	40142728	22	1	40146809	78	25
40142273	18	1	40142729	26	3	40146812	74	9
40142273	44	17	40142731	26	11	40146824	78	26
40142663	38	1~6	40142733	26	19	40146825	78	27
40142664	38	1~6	40142734	26	39	40146826	78	22

NUMERICAL INDEX OF PARTS

PART NO	PAGE	REF NO.	PART NO	PAGE	REF NO.	PART NO	PAGE	REF NO.
40146827	78	19	40158171	80	54	B24142800A0	62	37
40146828	74	39	40162659	78	6	B24142800A0	78	43
40146831	74	37	40162660	78	3	B24152800A0	22	31
40146831	88	47	40162662	78	9	B24152800A0	50	19
40146832	72	40	40162664	78	32	B24152800A0	58	34
40146833	72	41	40162665	80	51	B24152800A0	62	36
40146835	72	36·47	40162687	78	10·11	B24152800A0	78	42
40146836	82	11	40162688	78	10·11	B2416280000	22	30
40146837	82	15	40162729	78	1·2	B2416280000	50	18
40146838	82	10	40162730	78	1·2	B2416280000	58	33
40146839	84	12	40162731	78	30·31	B2416280000	62	35
40146850	74	4	40162732	78	30·31	B2416280000	78	41
40146853	70	34	40163455	72	49	B2417280000	22	21
40150131	40	43	40163512	70	33	B2417280000	50	11
40151278	88	43	40163514	82	14	B2417280000	58	25
40151279	88	44	40163515	80	52	B2417280000	62	38
40152920	38	13·14	40163528	82	1	B2417280000	80	44
40152920	46	1·35	40163610	84	2	B2418280000	22	29
40152933	42	1·17·18	A123050000A	8	63	B2418280000	50	17
40152933	44	3·32~34	A4078009000	16	14·75	B2418280000	58	32
40153140	38	1~6	B1111210D00	48	28	B2418280000	62	34
40153141	38	1~6	B1114581000	58	1	B2418280000	78	40
40153142	38	1~6	B1129210000	2	41	B24212800A0	22	41
40153194	46	39	B1144210000	8	60	B24212800A0	50	29
40153195	46	40	B1212210D00	8	59	B24212800A0	58	39
40153195	78	14	B1411552000	8	69	B24212800A0	62	33
40153196	46	37	B1414232000	26	15·46·47	B24212800A0	78	34
40153196	84	13	B141423200A	26	15·46·47	B2423280000	78	7
40153197	46	38	B141423200B	28	15·46·47	B242328000A	22	36~40
40153197	84	14	B1657506E00	52	47	B242328000A	50	24~28
40153212	70	36·47	B1806210D00	16	54·70	B242328000A	58	20~24
40153213	70	37	B1815210000	14	43	B242328000A	62	23~27
40153214	88	34	B1816280000	58	45	B242328000A	78	35~39
40153215	88	35	B1817210DAD	92	47~50	B242328000B	22	36~40
40153216	88	33	B1820210D00	14	20	B242328000B	50	24~28
40153218	76	51	B1821210D00	14	21	B242328000B	58	20~24
40153218	88	39	B1822215P00	14	22	B242328000B	62	23~27
40153219	76	1·52	B1828210DAA	16	53·69	B242328000B	78	35~39
40153234	76	54	B18289800BB	16	53·69	B242328000C	22	36~40
40153235	76	53	B185351200E	64	48	B242328000C	50	24~28
40153246	84	22	B185351200E	70	24	B242328000C	58	20~24
40153248	84	23	B2406372000	98	25	B242328000C	62	23~27
40156963	72	48	B24142800A0	22	32	B242328000C	78	35~39
40157670	78	13	B24142800A0	50	20	B242328000D	22	36~40
40158169	80	56	B24142800A0	58	35	B242328000D	50	24~28

NUMERICAL INDEX OF PARTS

PART NO	PAGE	REF NO.	PART NO	PAGE	REF NO.	PART NO	PAGE	REF NO.
B242328000D	58	20~24	BT0600401EB	84	21	EA9500B0100	84	27
B242328000D	62	23~27	BT0800501EB	84	18	EA9500B0100	88	50
B242328000D	78	35~39	BT1200801EF	84	24	EA9500B0200	32	2
B242328000E	22	36~40	CM100100001	4	82	GAF01007000	6	18
B242328000E	50	24~28	CM300100001	40	39	GPF060600A0	36	19
B242328000E	58	20~24	CM300100402	40	41	GPF06080000	36	18
B242328000E	62	23~27	CM300200001	4	80	GPK570010B0	42	12
B242328000E	78	35~39	CM300200002	2	43	HA004250000	42	9·10
B2424280000	22	27	CM300400602	40	40	HA004250000	44	10·11
B2424280000	50	15	CM600100101	40	42	HD00057000A	10	18
B2424280000	58	30	CM600100101	42	23	HD00057000A	44	31
B2424280000	62	32	CQ200000000	14	31	HD002230000	22	14
B2424280000	78	33	CS0640811SP	98	20	HD002230000	44	30
B2426280000	22	22~24	D1401M1YC0A	98	41	HF0013050P0	40	58·59
B2426280000	50	12	D1405L7AM00	8	51	HF0013050P0	42	6
B2426280000	58	26·27	D1405L7AM00	58	4	HF003000200	40	58·59
B2426280000	90	42~46	D2113555B00	84	10	HF003000200	42	5
B242628000B	90	42~46	D2426282C00	22	22~24	HK03461004A	50	33·34
B2509704000	26	18	D2426282C00	90	42~46	HK034640000	50	33·34
B2548372000	66	37	D2426MMCK00	92	42~46	HN001490000	42	20
B2548372000	74	25	D2511232D00	54	17	HN00149000A	42	22
B2549280000	60	56	D2512232D00	54	16	HN002460000	42	19
B2549372000	66	38	D2515232D00	54	23	HN002840000	42	21
B2549372000	74	26	D2520232DA0	54	28	HX00150000B	16	61
B2552372000	66	9	D2521232DA0	54	29	HX00150000D	14	1
B2553372000	66	39	D2527232D00	54	42	HX00150000F	88	40
B2553372000	74	27	D2527232D00	68	55	HX00150000H	88	49
B2560372000	66	40	D2527232D00	74	43	HX00150000K	32	17
B2560372000	74	28	D2528232D00	54	43	HX00150000N	88	41
B2619372000	64	47	D2529232D00	54	44	HX00222000D	38	20
B2619372000	70	23	D2545232D0A	54	10~12	HX00292000A	38	21
B302745000B	52	49	D2545232D0B	54	10~12	HX00314000D	72	51
B3117352000	54	41	D2545232D0C	54	10~12	HX00339000M	38	22
B3126012000	2	25	D2548232D00	68	49	KX000000260	38	19
B8101210AAB	36	6	D2548232D00	74	5	KX000000320	38	18
B8105210AAA	36	7	D2548232D00	98	35	KX000000380	32	4
B81085550A0	36	27	D3130M1YC00	66	35	M300451100A	40	60
B8153771000	36	16	D3130M1YC00	74	23	M300451100A	42	4
B8202205000	48	20	D7133555B00	2	26	M8002430000	38	34
B9121012000	48	19	D8113555B00	36	17	M90135900A0	42	13
B91212200A0	48	18	D8204555D00	36	33	M90175800A0	42	14~16
BT0400251EB	80	59	E8760452S00	40	45	M90175800A0	44	7~9
BT0400251EB	84	11	EA9500B0100	14	14·75	MAO11532000	42	8
BT0600401E0	72	50	EA9500B0100	32	14	MAZ15502000	68	50·51
BT0600401E0	80	60	EA9500B0100	40	44	MAZ15507000	66	16

NUMERICAL INDEX OF PARTS

PART NO	PAGE	REF NO.	PART NO	PAGE	REF NO.	PART NO	PAGE	REF NO.
MAZ15507000	86	22	MAZ160090A0	98	23	NS6110310SP	2	28
MAZ15508000	66	22	MAZ16010000	98	22	NS6110530SP	54	14
MAZ15508000	86	28	MAZ16011000	98	13	NS6120480SP	54	32
MAZ15509000	66	17	MAZ16012000	98	3	NS6150310SP	68	46
MAZ15509000	86	23	MAZ16013000	98	4	NS6150310SP	74	34
MAZ15510000	66	23	MAZ16014000	98	11	NS6150310SP	98	36
MAZ15510000	88	31	MAZ16015000	98	45	PA1000402A0	80	58
MAZ15513000	66	10	MAZ160170A0	98	42	PA1000601A0	78	16
MAZ15513000	74	10	MAZ16021000	100	47	PD02010000B	50	6
MAZ15514000	66	11	MAZ16022000	98	39	PJ025200004	84	1
MAZ15514000	74	11	MAZ16023000	98	40	PJ046039001	78	18
MAZ15514000	98	33	MDP170B1100	72	31·46	PJ210006100	84	7
MAZ15515000	66	12	MDP170B1102	88	1~4·48	PJ301060003	84	26
MAZ15515000	74	12	MDP170B1400	64	55	PJ308080003	84	19
MAZ15515000	98	9	MDP170B1400	70	31·46	PJ308085202	84	3
MAZ15516000	68	60	MDP170B1402	86	1~4·48	PS0400142KH	8	62
MAZ15516000	76	48	MDP170B2100	8	52~54	PV120205000	46	36
MAZ15601000	62	30·31	MDP170B2100	58	5·6	PV120206000	84	4
MAZ15602000	68	50·51	MDP170B2102	48	29~31	PV1502060A0	84	6
MAZ15701000	96	8	MDP170B2102	86	1~4·48	RC0410415KP	50	43
MAZ15702000	96	9	MDP500B1100	8	52~54	RC0470611KP	10	44
MAZ157070AB	96	11	MDP500B1102	48	29~31	RC0470611KP	64	44
MAZ157070BB	96	10	MDP500B1400	8	52~54	RC0470611KP	70	21
MAZ157080AB	96	15	MDP500B1400	50	1	RC0560711KP	4	57
MAZ157080BB	96	14	MDP500B1400	58	5·6	RE0200000K0	30	7
MAZ15709000	96	12	MDP500B1402	48	29~31	RE0200000K0	82	7
MAZ15710000	96	16	MDP500B1402	86	1~4·48	RE0300000K0	6	34
MAZ15801000	62	30·31	MDP500B1602	86	1~4·48	RE0300000K0	14	23
MAZ158070AB	66	28	MTQ300B1400	100	48	RE0300000K0	62	16
MAZ158070AB	74	16	MTSHJ100003	40	61	RE0300000K0	70	16
MAZ158070BB	66	27	NM6030001SC	18	24	RE0300000K0	78	21
MAZ158070BB	74	15	NM6030003SC	30	2	RE0400000K0	4	58
MAZ158080AB	66	32	NM6040000SN	2	36	RE0700000K0	54	20
MAZ158080AB	74	20	NM6040001SP	10	7	RE0700000K0	68	47
MAZ158080BB	66	31	NM6040001SP	22	5	RE0700000K0	74	35
MAZ158080BB	74	19	NM6040003SC	18	18	RE0700000K0	98	8
MAZ15809000	66	29	NM6050001SE	34	24	RE0800000K0	6	17
MAZ15809000	74	17	NM6050001SP	10	22	RE0900000K0	18	3
MAZ15810000	66	33	NM6050001SP	22	8	SB110002400	10	3
MAZ15810000	74	21	NM6060001CP	10	30	SB110002400	14	9
MAZ16002000	98	27	NM6060001SC	48	35	SB3080010CA	14	39~42
MAZ1600300A	98	28	NM6060003SC	10	43	SB3080010CB	14	39~42
MAZ16004000	98	15	NM6080002SC	40	57	SB3080010CC	14	39~42
MAZ16005000	98	18	NM6080721SE	36	26	SB3080010CD	14	39~42
MAZ16009000	98	24	NM6120001SE	36	28	SD0350156TP	30	32

NUMERICAL INDEX OF PARTS

PART NO	PAGE	REF NO.	PART NO	PAGE	REF NO.	PART NO	PAGE	REF NO.
SD0350156TP	82	28	SL4040881SC	40	37	SM4050855SP	32	15
SD0400266TP	30	8	SL4040881SF	32	19	SM4051405SE	34	23
SD0400266TP	82	8	SL4040891SC	14	62	SM4061255SP	2	34
SD0500091TP	22	42	SL4040891SC	16	62	SM4061255SP	50	40
SD0500091TP	50	30	SL4041091SC	88	42	SM4061255SP	58	2
SD0500091TP	58	40	SL4041281SC	38	33	SM5030501SC	26	28
SD0500091TP	62	40	SL4041291SC	22	15	SM5040655SN	4	67
SD0500091TP	78	46	SL4042091SC	38	32	SM5040855SN	2	84
SD0500091TP	80	46	SL6040892TN	2	14	SM5040855SN	4	84
SD0500166TP	78	23	SL6040892TN	52	50	SM5040855SN	56	46
SD0550181SP	66	42	SL6040892TN	100	51	SM5040855SN	68	59
SD0550181SP	74	30	SL6052592TN	8	56	SM5040855SN	76	47
SD0550271TP	54	30	SL9082091SE	36	13	SM6020250TP	70	39
SD0550301SP	68	43	SM1030601SP	6	8	SM6020350SP	30	13
SD0550301SP	74	31	SM1040650TP	22	43	SM6020350SP	82	13
SD0600206TP	10	35	SM1040650TP	26	26	SM6020450TP	30	23
SD0600207TP	80	57	SM1040650TP	50	45	SM6020450TP	82	16
SD0600326TP	78	29	SM1040650TP	58	11	SM6020460TP	14	44
SD0640216TP	10	45	SM1040650TP	64	46	SM6020460TP	70	38
SD0640216TP	64	45	SM1040650TP	80	55	SM6030500SN	50	41
SD0640216TP	70	22	SM1040950TP	76	55	SM6030500SN	58	8
SD0640321TP	100	46	SM2360110TP	30	20	SM6030500SN	64	43
SD0640391TP	66	41	SM2360110TP	82	2	SM6030500SN	70	20
SD0640391TP	74	29	SM3030552TN	2	19	SM6030650TP	78	15
SD0700406TP	10	23	SM3030552TN	72	43	SM6030800SP	70	35
SD0790606TP	10	29	SM3061052TP	26	34	SM6031602TP	78	17
SD0791276TP	64	49	SM3061052TP	58	14	SM6040502TP	14	3
SD0791276TP	70	25	SM4020600SP	30	18	SM6040602TP	18	14
SD0800327TP	10	21	SM4020600SP	82	18	SM6040650TP	2	40
SD0800327TP	22	7	SM4021201SC	32	13	SM6040650TP	14	63
SD0800407TP	30	28	SM4030455SP	14	29	SM6040650TP	16	63
SD0800407TP	82	24	SM4030601SN	4	44	SM6040650TP	26	23
SD1000406TP	10	33	SM4030855SN	2	30	SM6040650TP	30	21
SD1201506TP	50	5	SM4040655SP	48	6	SM6040650TP	82	29
SK3311601SE	36	34	SM4040655SP	86	45	SM6040802TP	10	17
SK3311601SE	48	21	SM4040655SP	88	45	SM6040802TP	18	9
SK3382001SE	42	2	SM4040855SP	10	47	SM6040802TP	22	13
SK3412001SE	86	14	SM4040855SP	12	47	SM6040802TP	26	40
SK3512001SE	42	11	SM4040855SP	22	17	SM6040860TP	2	42
SL4030681SC	50	7	SM4040855SP	32	21	SM6041050TP	18	16
SL4030881SC	40	38	SM4040855SP	48	7	SM6041150TP	4	52
SL4030881SC	50	36	SM4041055SP	2	12	SM6041150TP	26	8
SL4031291SC	10	19	SM4041655SP	26	6	SM6041150TP	86	9
SL4040681SC	18	46	SM4042055SP	26	37	SM6041202TP	30	31
SL4040881SC	38	37	SM4050855SP	2	6	SM6041202TP	82	27

NUMERICAL INDEX OF PARTS

PART NO	PAGE	REF NO.	PART NO	PAGE	REF NO.	PART NO	PAGE	REF NO.
SM6051602TP	10	2	SM9082023SE	36	23	SS7110740TP	58	58
SM6060550TP	6	13	SS1060210TP	22	25	SS7110740TP	60	58
SM6061202TP	54	4	SS1060210TP	50	13	SS7110740TP	62	41
SM6061202TP	86	13	SS1060210TP	58	28	SS7110740TP	80	47
SM6061802TP	10	28	SS1060210TP	62	39	SS7110740TP	98	26
SM6061802TP	28	69	SS1060210TP	78	53	SS7120910TP	60	48
SM6061802TP	50	42	SS1060210TP	80	53	SS7151210SP	60	55
SM6061802TP	64	56	SS1110640TP	54	27	SS8080310TP	28	60
SM6061802TP	70	32	SS1110640TP	90	27	SS8110410TP	98	21
SM6066002TN	48	34	SS2060310SP	66	26	SS8150510TP	26	44
SM6083002TN	48	9	SS2060310SP	86	32	SS8150822TP	58	44
SM7030550TP	6	35	SS2060310SP	88	32	SS9090813TP	86	36
SM8030412TP	18	7	SS2110930SP	28	56	SS9090813TP	88	36
SM8030412TP	74	38	SS5060310SP	64	52	SS9110460CP	54	39
SM8040302TP	90	71	SS5060310SP	70	28	SS9110460CP	68	45
SM8040302TP	92	71	SS6080340SP	86	38	SS9110460CP	74	33
SM8040310SS	6	45	SS6080340SP	88	38	SS9110460CP	98	37
SM8040310SS	8	45	SS6090612TP	98	44	SS9110543CP	68	52
SM8040802TP	4	76	SS6090670TP	8	46	SS9110543CP	74	40
SM8050402TP	10	15	SS6110430TP	22	33	SS9110920CP	54	21
SM8050502TP	4	74	SS6110430TP	50	21	SS9111010SP	98	30
SM8050512TP	28	49	SS6110430TP	58	36	SS9151120CP	54	8
SM8050592TP	22	2	SS6110430TP	62	42	SS9151120CP	68	61
SM80506A2TP	6	43	SS6110430TP	80	48	SS9151120CP	76	49
SM80506A2TP	62	9	SS6110480SP	98	29	SS9621413SP	68	44
SM80506A2TP	70	9	SS6111052TP	98	16	SS9621413SP	74	32
SM8060602TP	26	10	SS6120940SP	60	60	SS9621413SP	98	38
SM8060612TP	2	22	SS6121212TP	16	50	ST9053511SR	36	3
SM8060612TP	14	12	SS7090410SP	22	28	TA0750704R0	4	48
SM8060612TP	26	20	SS7090410SP	50	16	TA0850604R0	4	49
SM8060612TP	60	53	SS7090410SP	58	31	TA1050504R0	4	50
SM80606A2TP	20	47	SS7090410SP	62	22	TA1250406R0	4	51
SM8060812TP	6	15	SS7090410SP	66	34	TA1470704R0	4	86
SM8060812TP	10	10	SS7090410SP	74	22	TA1550902R0	4	54
SM8060812TP	14	17	SS7090410SP	80	49	TA2100904R0	4	87
SM8060812TP	22	10	SS7090410SP	86	30	WP0320500SC	30	6
SM8060812TP	26	16	SS7090410SP	88	30	WP0320500SC	82	6
SM80608A2TP	8	58	SS7090410SP	96	17	WP0370316SD	82	20
SM8061010TP	14	16	SS7090510SP	98	19	WP0370316SD	86	37
SM8061050TP	16	72	SS7090610SP	54	37	WP0370316SD	88	37
SM8480652TP	6	10	SS7110510SP	54	24	WP0420516KH	78	28
SM8480652TP	16	74	SS7110710SP	92	64	WP0430800SC	40	47
SM8480662TP	26	4	SS7110740TP	22	35	WP0430800SC	88	46
SM9061203SE	36	20	SS7110740TP	28	57	WP0450801SD	18	10
SM9061403CP	54	2	SS7110740TP	50	23	WP0450801SD	48	8

NUMERICAL INDEX OF PARTS

PART NO	PAGE	REF NO.
WP0450801SD	86	10
WP0450801SP	12	49
WP0450801SP	22	3
WP0450801SP	26	50
WP0450801SP	28	50
WP0450826SC	4	68
WP0450846SP	22	34
WP0450846SP	50	22
WP0450846SP	58	37
WP0450846SP	62	28
WP0450846SP	80	50
WP0451026SH	78	24
WP0482086SD	98	31
WP0501016SD	54	40
WP0501016SD	68	53
WP0501016SD	74	41
WP0501016SD	98	32
WP0510516SD	78	12
WP0531001SC	34	22
WP0612516SD	54	9
WP0612516SD	68	62
WP0612516SD	76	50
WP0621016SD	26	70
WP0621016SD	28	70
WP0621016SD	58	9
WP0651056SH	50	4
WP0651646SC	48	36
WP0671016SE	36	21
WP0820516SP	6	24
WP0820516SP	62	6
WP0820516SP	70	6
WP0852086SC	40	55
WP0871602SE	36	24
WP1302501SE	36	29
WP1612616SE	34	15
WS0451040KP	92	63
WS0510002KN	34	21
WS0610002KN	48	10
WS0621210KR	36	22
WS0820002KR	40	56
WS0861410KR	36	25
WS1253010KN	36	30