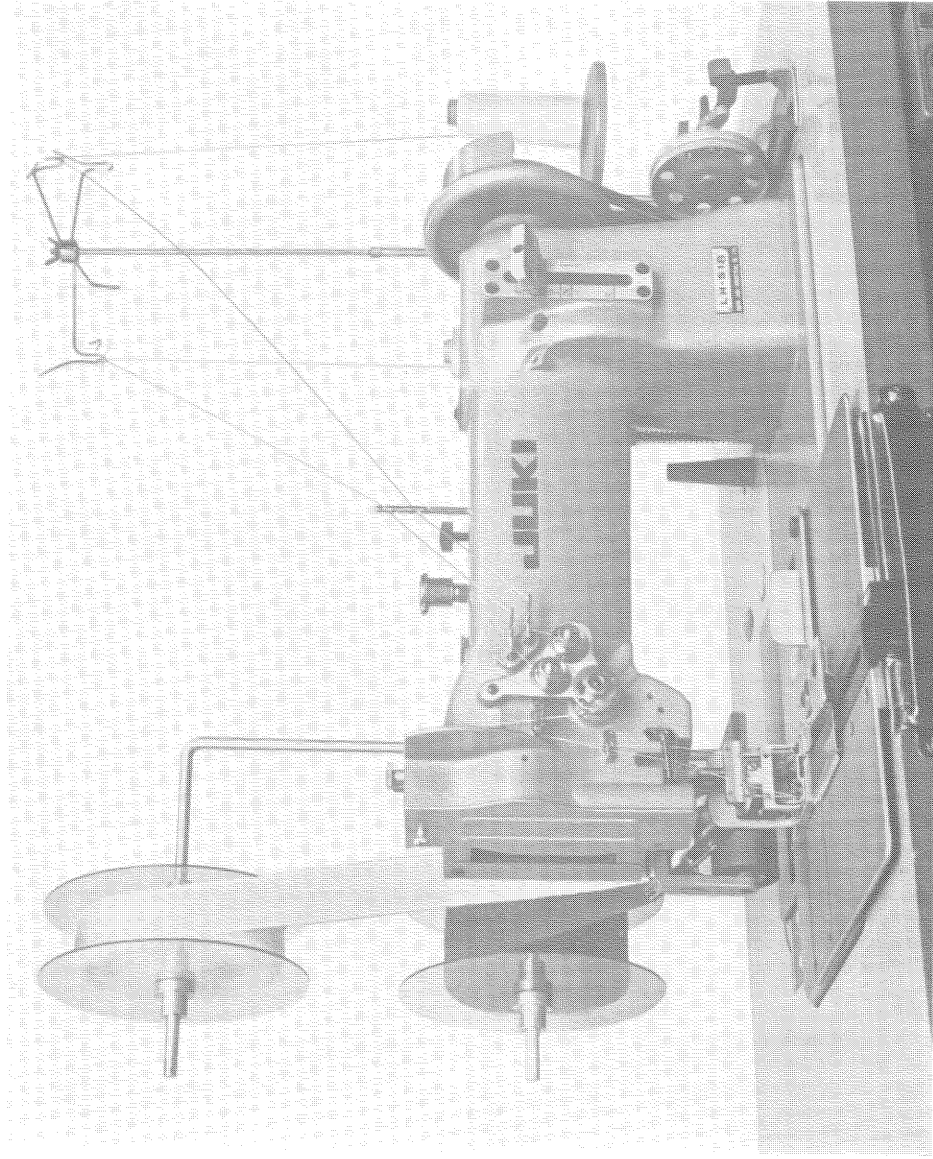


JUKI®

model **LH-518**

TWIN NEEDLE, UNISON FEED, BLIND STITCH TYPE,
INDUSTRIAL SEWING MACHINE FOR ATTACHING WAIST BAND

PARTS * BOOK



TOKYO JUKI INDUSTRIAL CO., LTD.

1. This is a consolidated PARTS BOOK of Model LH-518.
2. This book is divided, as a principle, into various sections according to the functions of parts and also contains illustrations to assist you visually.
For example, if you want some parts for the PRESSER BAR & KNIFE COMPONENTS, just refer to the section on "PRESSER BAR & KNIFE COMPONENTS" etc.
3. The figures on the illustrations indicate the corresponding numbers on the BOOK.
4. On bits and pieces parts such as screws, etc. the illustration shows only a representative one and so for the required quantity of these parts, refer to the BOOK.
5. Parts marked with * on the "Ref. No." column, mean these parts are one complete assembly unit.
6. The parts under "Amt. Req." column circled by ○ are parts included in the one assembly unit which is marked with * just above these parts.
7. When placing your order, please specify your order by the assembly unit number marked with * under the "Ref. No." column.

FOR EXAMPLE

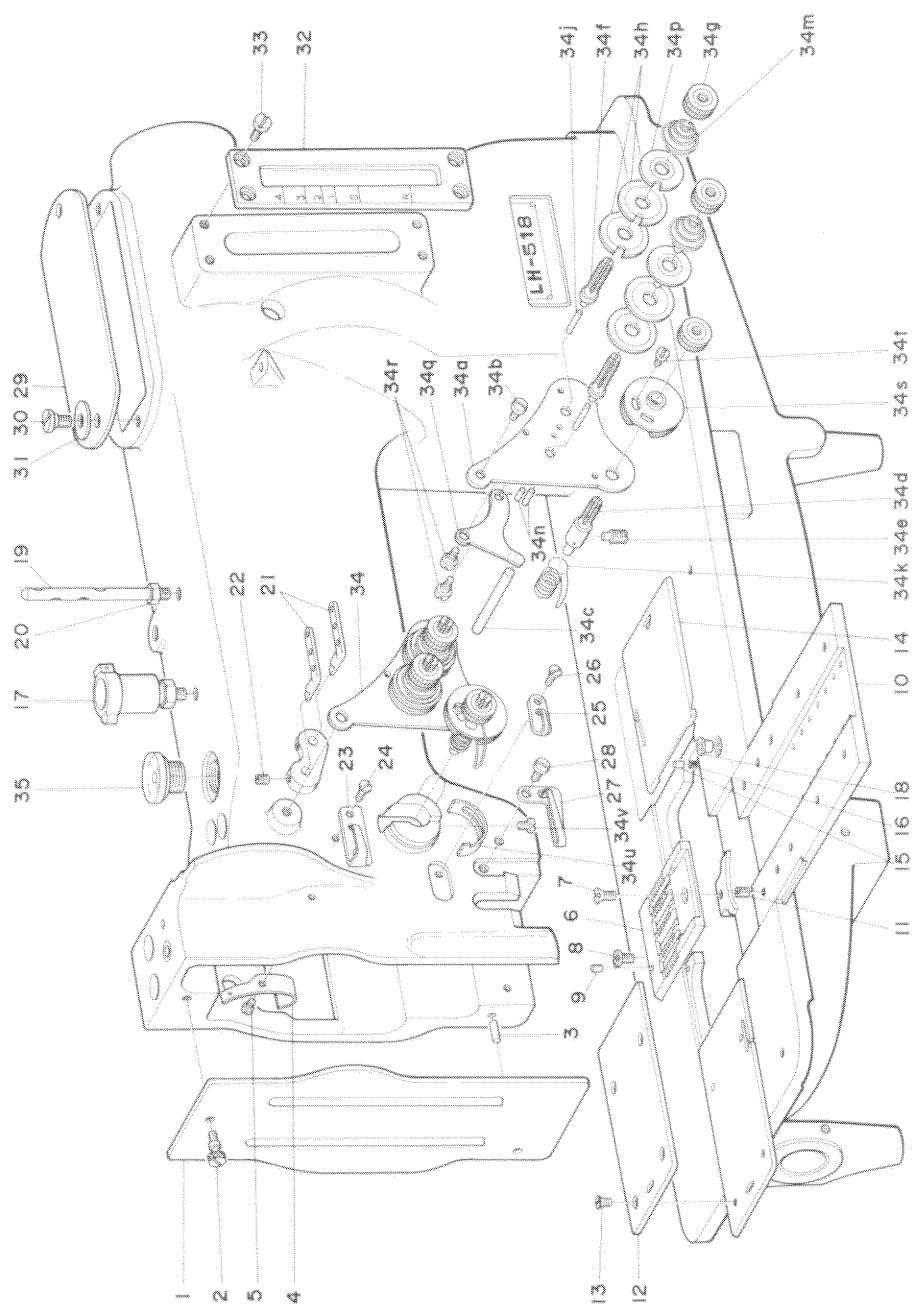
Ref. No.	Part No	Description	Amt. Req.
*1	B-1111-111-0A0	name of part	1 Means one assembly unit
2	B-1111-111-000	" "	① Means this is included in the above B-1111-111-0A0 assembly unit.

(This part can be sold as a single unit)

CONTENTS

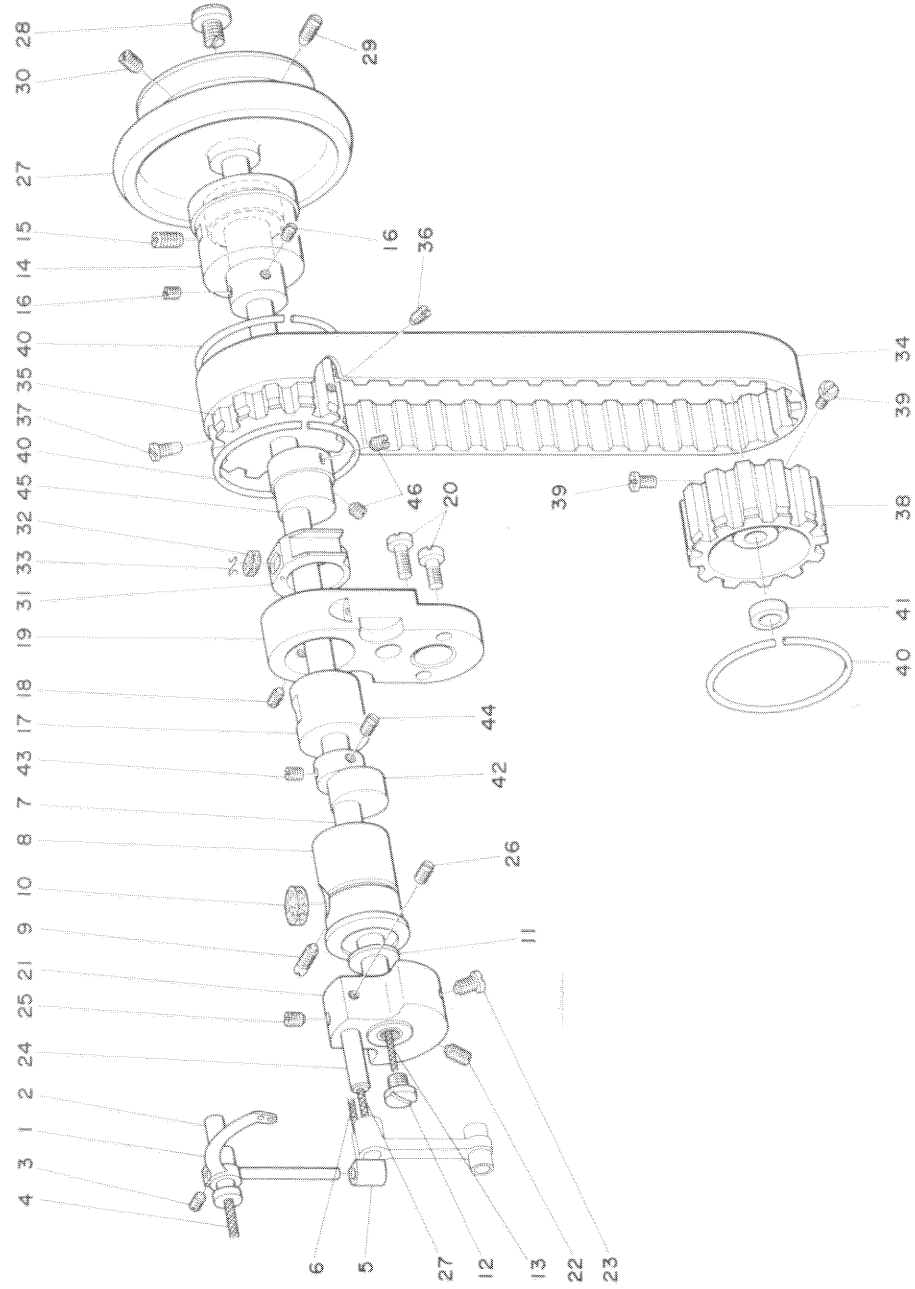
1. MACHINE FRAME & TENSION PARTS COMPONENTS	1
2. MAIN SHAFT & THREAD TAKE-UP LEVER COMPONENTS	2
3. NEEDLE BAR FRAME & FEED ROCK SHAFT COMPONENTS	3
4. PRESSER BAR & KNIFE COMPONENTS	4
5. SEWING HOOK SHAFT COMPONENTS	5
6. CLOTH PULLEY COMPONENTS	6
7. KNEE LIFTER COMPONENTS	7
8. WAIST BAND GUIDE COMPONENTS	8
9. TAPE REEL COMPONENTS	9
10. NUMERICAL INDEX OF PARTS	10

1. MACHINE FRAME & TENSION PARTS COMPONENTS



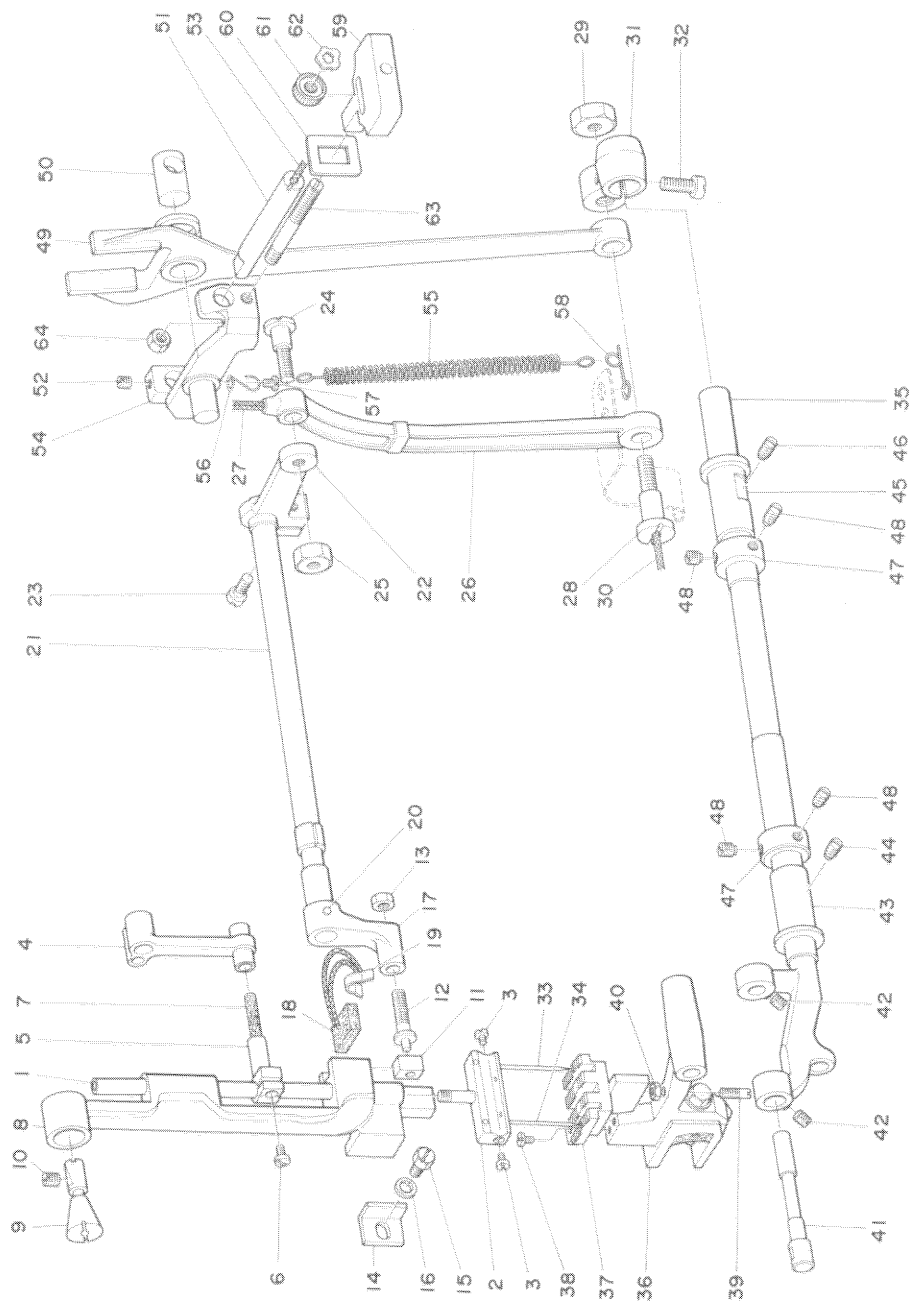
Ref. No.	Part No.	Description	Amt. Req.	Ref. No.	Part No.	Description	Amt. Req.
1	B-3101-053-000	Face plate	1	31	B-1152-051-000	Washer	2
2	B-3106-019-000	Screw	1	32	B-1647-517-000	Stitch graduator	1
3	B-1103-051-000	Pin	1	33	SS-6080610-TP	Screw	4
4	B-1140-051-000	Arm oil shield	1	*34	B-3121-051-0A0	Thread tension controller base	1
5	SS-3090610-SP	Screw	1	34a	B-3121-051-000	Screw	1
6	B-1109-581-000	Throat plate	1	34b	SS-7110720-SP	Screw	1
7	SS-2110920-TP	Screw	1	34c	B-3122-051-000	Tension release bar	1
8	SS-6090630-SP	Guide screw	1	34d	B-3123-051-000	Thread take-up spring stud	1
9	B-1104-051-000	Pin	1	34e	SS-8111251-SP	Screw	1
10	B-1110-518-000	Bed slide, front	1	34f	B-3124-051-000	Thread tension post	2
11	SS-8110510-SP	Stopper	2	34g	B-3125-012-000	Thread tension control nut	3
12	B-3711-518-000	Auxiliary bed slide	1	34h	B-3126-051-000	Thread tension disc	4
13	SS-2090530-SP	Screw	4	34j	B-3127-051-000	Thread tension release pin	2
14	B-1113-512-J00	Bed slide, right	1	34k	B-3128-051-000	Thread take-up spring	2
15	B-1105-051-000	Pin	1	34m	B-3129-051-000	Thread tension spring	2
16	B-1106-051-000	Spring	1	34n	B-3131-051-000	Thread tension disc stopper	2
17	B-1155-053-000	Oil cup, large	1	34p	B-3132-051-000	Thread tension release washer	2
18	B-1157-009-0A0	Oil cup, small	1	34q	B-3134-051-000	Thread tension release lever	1
19	B-1114-051-000	Needle thread guide pin	1	34r	SD-0470281-SP	Screw	2
20	NS-6620310-SP	Nut	1	34s	B-3137-051-0A0	Thread take-up spring guide asm.	1
21	B-1128-051-000	Three-hole thread eyelet	2	34t	SS-4080610-SP	Screw	1
22	SS-8110510-SP	Screw	2	34u	B-3138-051-000	Thread take-up spring adjusting plate	1
23	B-1129-051-000	Frame thread guide, upper	1	34v	SS-7090520-SP	Screw	1
24	SS-2090710-SP	Frame thread guide, middle	1	35	B-3501-051-000	Oil filter sleeve	1
25	B-1130-051-000	Frame thread guide, middle	1	36	B-1112-518-L00	Bed slide, left	1
26	SS-2090710-SP	Screw	1				
27	B-1131-051-000	Frame thread guide, lower	1				
28	SS-2090710-SP	Screw	1				
29	B-1150-051-000	Top plate	1				
30	SD-0630241-SD	Screw	2				

2. MAIN SHAFT & THREAD TAKE-UP LEVER COMPONENTS



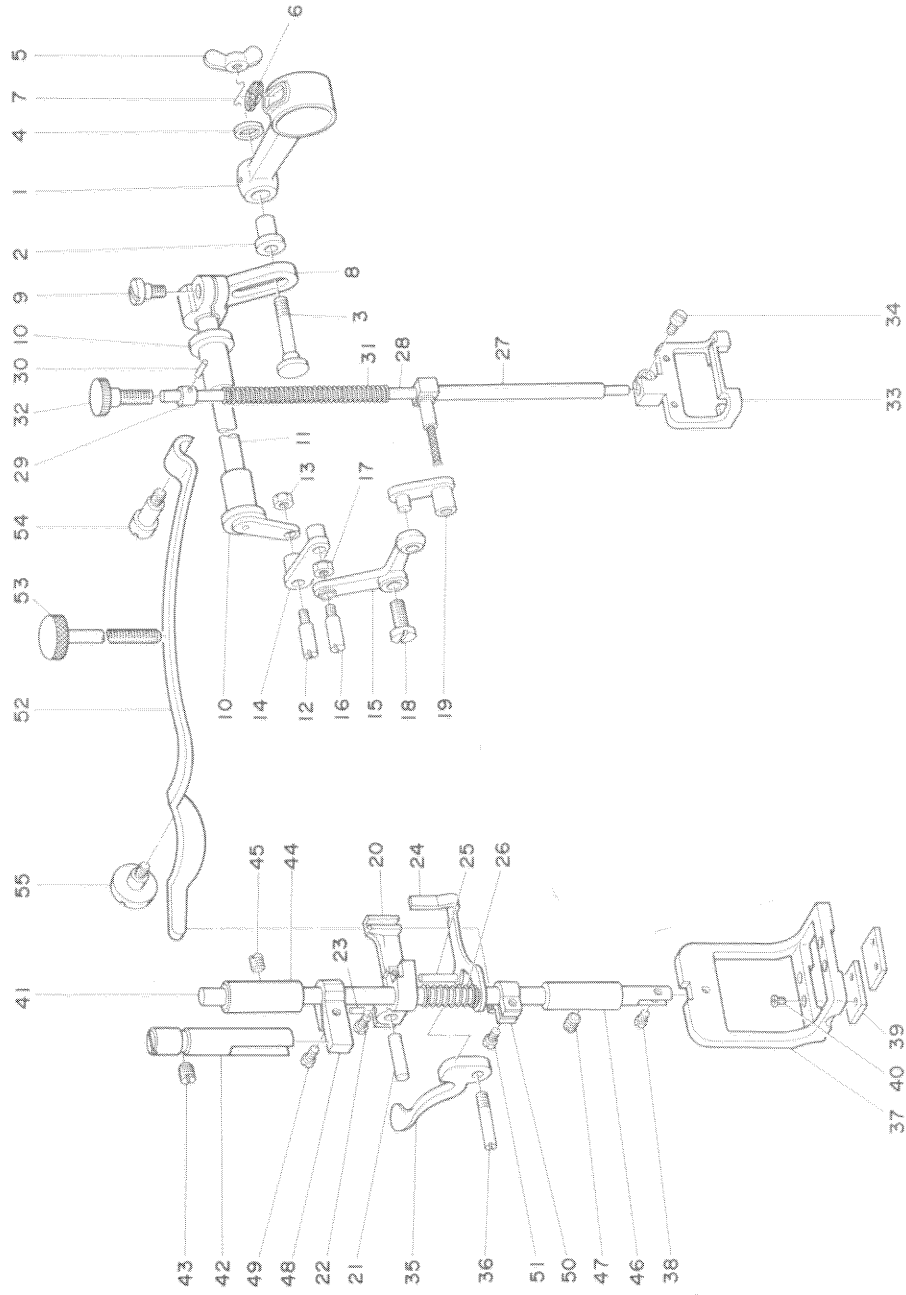
Ref. No.	Part No.	Description	Amt. Req.	Ref. No.	Part No.	Description	Amt. Req.
1	B-1905-051-000	Thread take-up lever	1	26	SS-8680730-SP	. . . Screw (2)	1
2	B-1906-051-000	. . . Pin	1	27	B-1227-053-000	Hand wheel	1
3	SS-8151150-SP Screw	1	28	B-1233-012-000	. . . End screw	1
4	B-1204-051-000 Oil wick	1	29	SS-8151780-SP	. . . Screw (S)	1
5	B-1907-051-000	. . . Thrust pin	1	30	SS-8152030-SP	. . . Screw	1
6	B-1204-051-000 Oil wick	1	31	B-1211-517-000	Feed drive eccentric retainer housing	1
7	B-1201-055-B00	Main shaft	1	32	B-1218-012-000	. . . Felt	1
8	B-1202-051-000	. . . Bushing, front	1	33	B-1213-012-000 Presser	1
9	SS-8151350-SP Screw	1	34	B-1301-051-000	Timing belt	1
10	B-1203-051-000 Oil felt	1	35	B-1302-517-000	Sprocket wheel, upper	1
11	B-1205-051-000 Thrust washer	1	36	SS-8681650-TP	. . . Screw (A)	1
12	B-1207-051-000 Plug screw	1	37	SS-7681750-TP	. . . Screw (B)	1
13	B-1204-051-000	. . . Oil wick	1	38	B-1303-051-A00	Sprocket wheel, lower	1
14	B-1216-051-0A0	. . . Rear bushing asm.	1	39	B-1316-055-000	. . . Screw	2
15	SS-8151350-SP Screw	1	40	B-1214-019-000	. . . Ring	2
16	SS-8150710-SP Screw, for bushing (2)	2	41	B-1304-517-000	. . . Collar	1
17	B-1203-232-000	. . . Intermediate bushing	1	42	D-1450-055-B00	Upper feed driving cam	1
18	SS-8151150-SP Screw	1	43	SS-8660530-TP	. . . Screw (A)	1
19	B-1226-517-000 Base	1	44	SS-8660970-TP	. . . Screw (B)	1
20	SS-7161640-SP Screw	2	45	B-1620-517-000	Feed eccentric cam	1
21	B-1206-051-000	Counterweight	1	46	SS-8151150-SP	. . . Screw	2
22	SS-8681650-TP Screw	1				
23	SS-7681750-TP Screw (S)	1				
24	B-1210-051-000	Needle bar crank pin	1				
25	SS-8680540-SP Screw (1)	1				

3. NEEDLE BAR FRAME & FEED ROCK SHAFT COMPONENTS



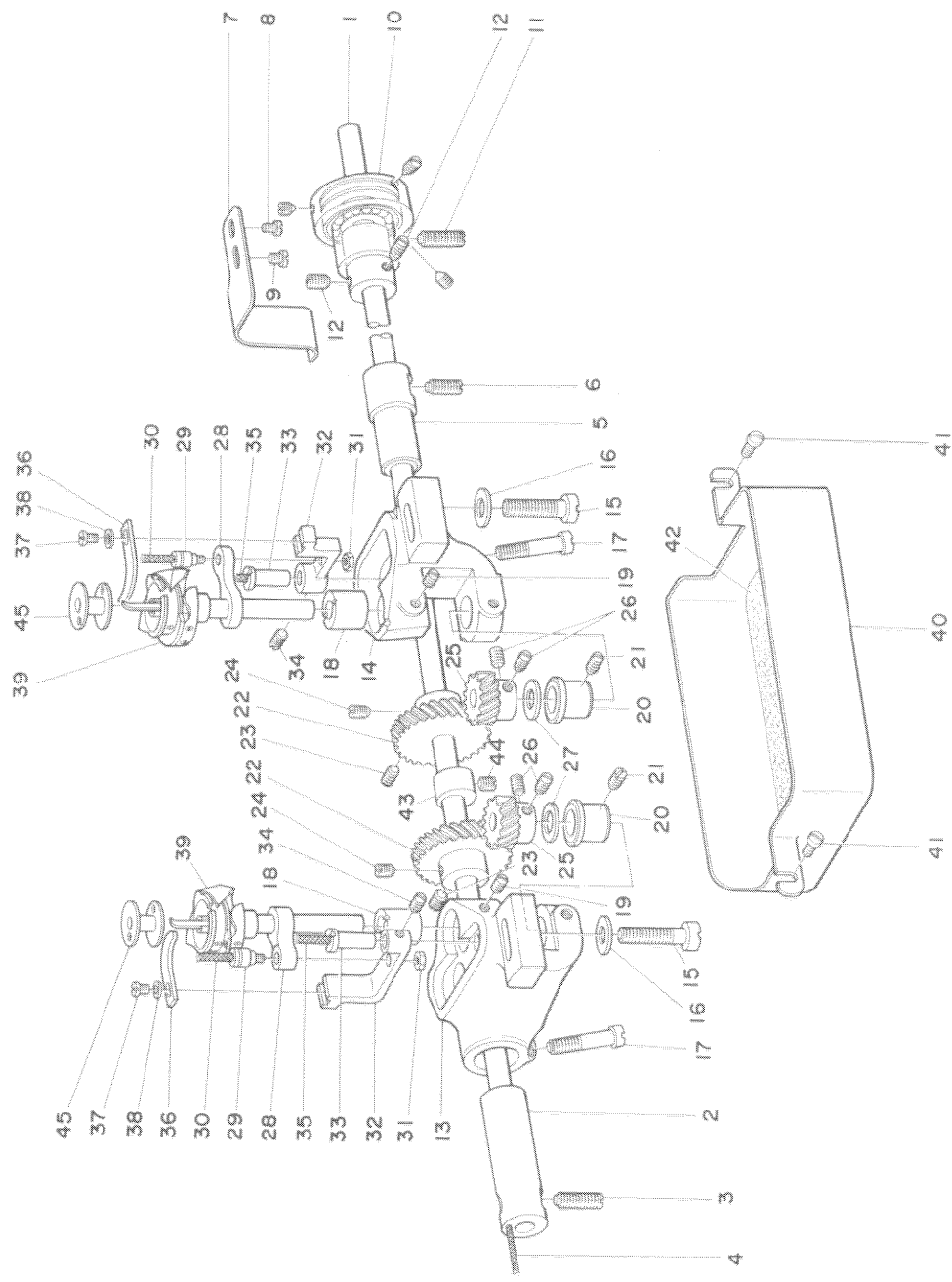
Ref. No.	Part No.	Description	Amt. Req.	Ref. No.	Part No.	Description	Amt. Req.
1	B-1401-518-000	Needle bar	1	*36	B-1602-051-0A0	Feed bar asm.	1
2	B-1402-518-000	Needle clamp	1		B-1602-051-000	Feed bar	1
3	SS-6090410-TP	Needle set screw	2		B-1604-051-000	Slide fork	1
4	B-1408-051-000	Needle bar crank connecting rod	1		SS-9151440-CP	Screw	1
5	B-1411-518-000	Needle bar connection	1		WP-0621016-SD	Washer	1
6	SS-7090910-SP	Screw	2		B-1605-051-000	Oil felt	1
7	B-1412-051-000	Oil felt	1		SS-6080610-TP	Oil felt	1
8	B-1420-518-000	Needle bar frame	1	37	B-1613-518-000	Feed dog	1
9	B-1421-051-000	Taper stud	1	38	SS-6080720-SP	Screw	2
10	SS-8151160-SP	Screw	1	39	SS-8081450-SP	Adjusting screw	1
11	B-1425-051-000	Slide block	1	40	NS-6080210-SP	Adjusting nut	1
12	B-1426-051-000	Stud	1	41	B-1603-051-000	Feed bar shaft	1
13	NS-6620310-SP	Nut	1	42	SS-8110510-SP	Screw	2
14	B-1423-051-000	Guide	1	43	B-1607-051-000	Feed rock shaft front bushing	1
15	SS-91111010-SP	Screw	1	44	SS-8151150-SP	Screw	1
16	WP-0480856-SP	Washer	1	45	B-1609-051-000	Feed rock shaft rear bushing	1
17	B-1428-051-000	Rock shaft crank, front	1	46	SS-8152030-SP	Screw	1
*18	B-1438-051-0A0	Oil wick asm.	1	47	CS-1401012-SC	Feed rock shaft thrust collar	2
19	B-1437-051-000	Oil wick retainer	1	48	SS-8150410-SP	Screw	4
20	PT-0301600-S0	Pin	1	49	B-1614-517-000	Forked rod	1
21	B-1429-051-000	Rock shaft	1	50	B-1617-517-000	Pin	1
22	B-1431-517-000	Rock shaft crank, rear	1	51	B-1619-517-000	Guide shaft	1
23	SS-6151220-SP	Clamp screw	1	52	SS-8110510-TP	Screw	1
24	SD-0790801-SP	Hinge screw	1	53	B-1204-051-000	Oil wick	1
25	NS-6160520-SP	Nut	1	54	B-1615-517-000	Feed graduation plate	1
26	B-1434-517-000	Rock shaft driving rod	1	55	B-3419-027-000	Tension spring	1
27	B-1204-051-000	Oil wick	1	56	B-1617-517-000	Suspension hook	1
28	SD-0951801-SP	Hinge screw	1	57	SS-7090710-SP	Screw	1
29	NS-6700420-SP	Nut	1	58	B-1628-517-000	Suspension hook, lower	1
30	B-1204-051-000	Oil wick	1	59	B-1622-517-000	Feed lever	1
31	B-1435-517-000	Crank	1	60	B-1623-517-000	Washer	1
32	SS-6151920-SP	Screw	1	61	B-1624-517-000	Adjusting nut	1
33	MDP-P90B1600	Needle DPxP9 #16, right	1	62	WZ-0641510-KP	Washer	1
34	MDP-P10B1600	Needle DPxP10 #16, left	1	63	B-1627-517-000	Feed regulating screw	1
35	B-1601-051-000	Feed rock shaft	1	64	NS-6150310-SP	Lock nut	1

4. PRESSER BAR & KNIFE COMPONENTS



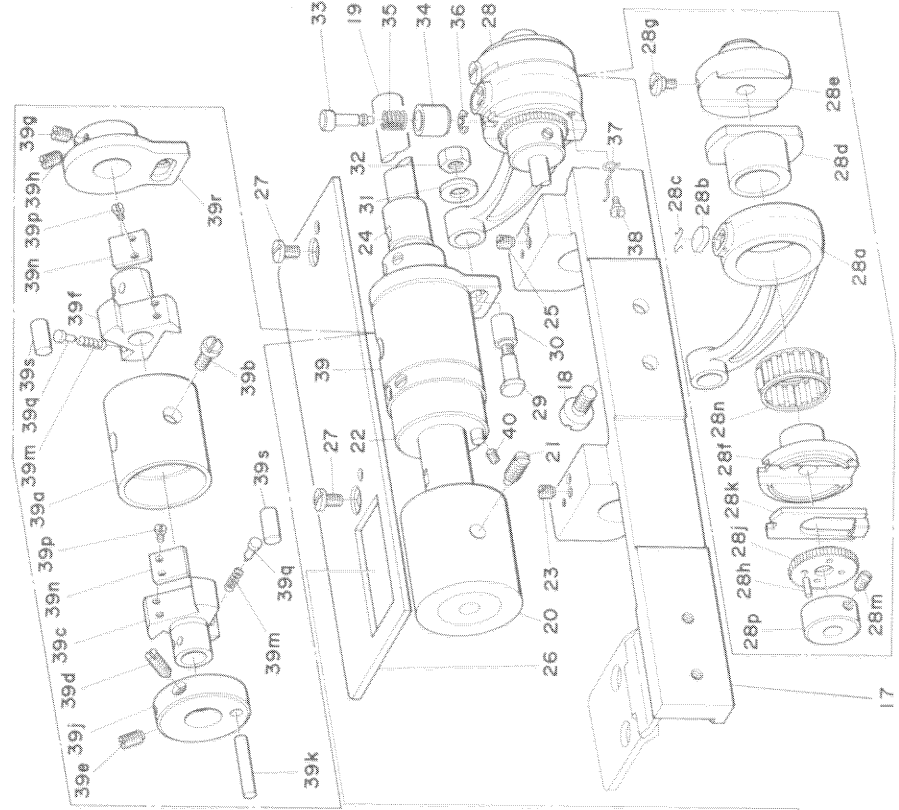
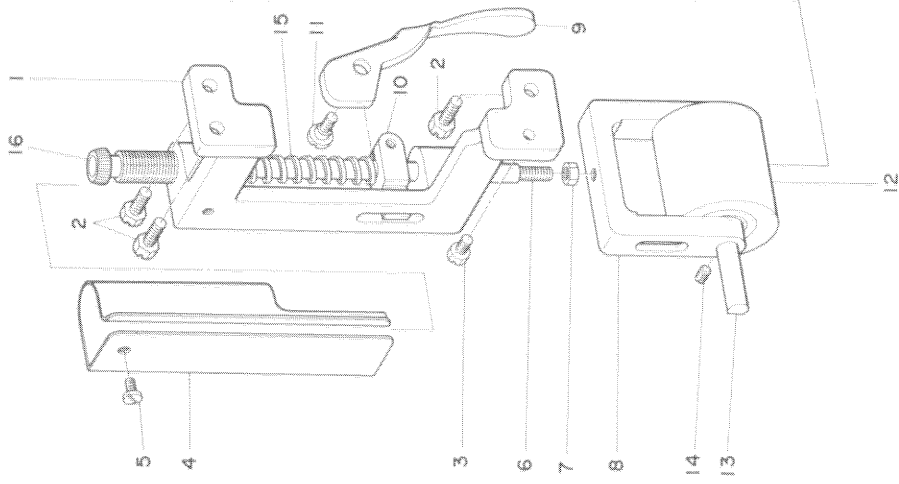
Ref. No.	Part No.	Description	Amt. Req.	Ref. No.	Part No.	Description	Amt. Req.
1	D-1453-055-B00	Upper feed driving rod	1	30	B-1467-053-00C	Pin, for retaining collar	1
2	D-1455-055-B00	Connecting stud	1	31	B-1468-053-000	Retaining collar	1
3	D-1456-055-B00	Hinge screw	1	32	B-1469-053-000	Presser spring regulator, for walking foot	1
4	D-1457-055-B00	Washer	1	33	B-1470-518-000	Walking foot	1
5	D-1458-055-B00	Nut	1	34	SS-6110710-TP	Clamp screw	1
6	B-1702-012-000	Oil felt	1	35	B-1512-518-000	Hand lifter	1
7	B-1213-012-000	Presser	1	36	B-1515-051-000	Stud	1
8	D-1454-055-B00	Upper feed driving shaft crank	1	37	B-1525-518-000	Presser foot	1
9	SS-7161640-SP	Clamp screw	1	38	SS-6090910-TP	Screw	1
10	B-1455-053-000	Bushing, for upper feed driving shaft	2	39	B-1526-518-000	Auxiliary plate	1
11	B-1456-053-000	Upper feed driving shaft	1	40	SS-4080310-SP	Screw	2
12	B-1457-055-000	Connecting stud	1	41	B-1501-517-B00	Presser bar	4
13	NS-6660430-SP	Nut	1	42	B-1502-051-000	Guide sleeve	1
14	B-1458-053-000	Connecting link	1	43	SS-8150510-TP	Screw	1
15	B-1459-053-00A	Walking foot connecting link	1	44	B-1503-051-A00	Bushing, upper	1
16	B-1459-053-00B	Stud	1	45	SS-8150510-TP	Screw	1
17	NS-6110310-SP	Nut	1	46	B-1503-051-B00	Bushing, lower	1
18	SS-6111140-SP	Screw	1	47	SS-8150510-TP	Screw	1
19	B-1465-053-000	Walking foot driving link	1	48	B-1504-051-000	Presser bar connection guide	1
20	B-1460-053-00A	Hand lifter mounting bracket	1	49	SS-7090910-SP	Screw	1
21	B-1460-053-00B	Connecting pin	1	50	B-1507-051-000	Presser bar connection	1
22	SS-7111310-SP	Clamp screw	1	51	SS-7090910-SP	Clamp screw	1
23	PT-0201200-S0	Pin	1	52	B-1505-053-000	Presser bar plate spring	1
24	B-1461-053-00A	Thread release guide	1	53	B-1509-051-000	Presser spring regulator, for presser foot	1
25	B-1461-053-00B	Pin	1	54	SD-0801601-SP	Screw stud	1
26	B-1462-053-000	Spring	1	55	SD-0800481-SP	Guide screw, for bracket	1
27	B-1466-053-000	Walking bar	1				
28	B-1467-053-00A	Spring pole	1				
29	B-1467-053-00B	Spring	1				

5. SEWING HOOK SHAFT COMPONENTS



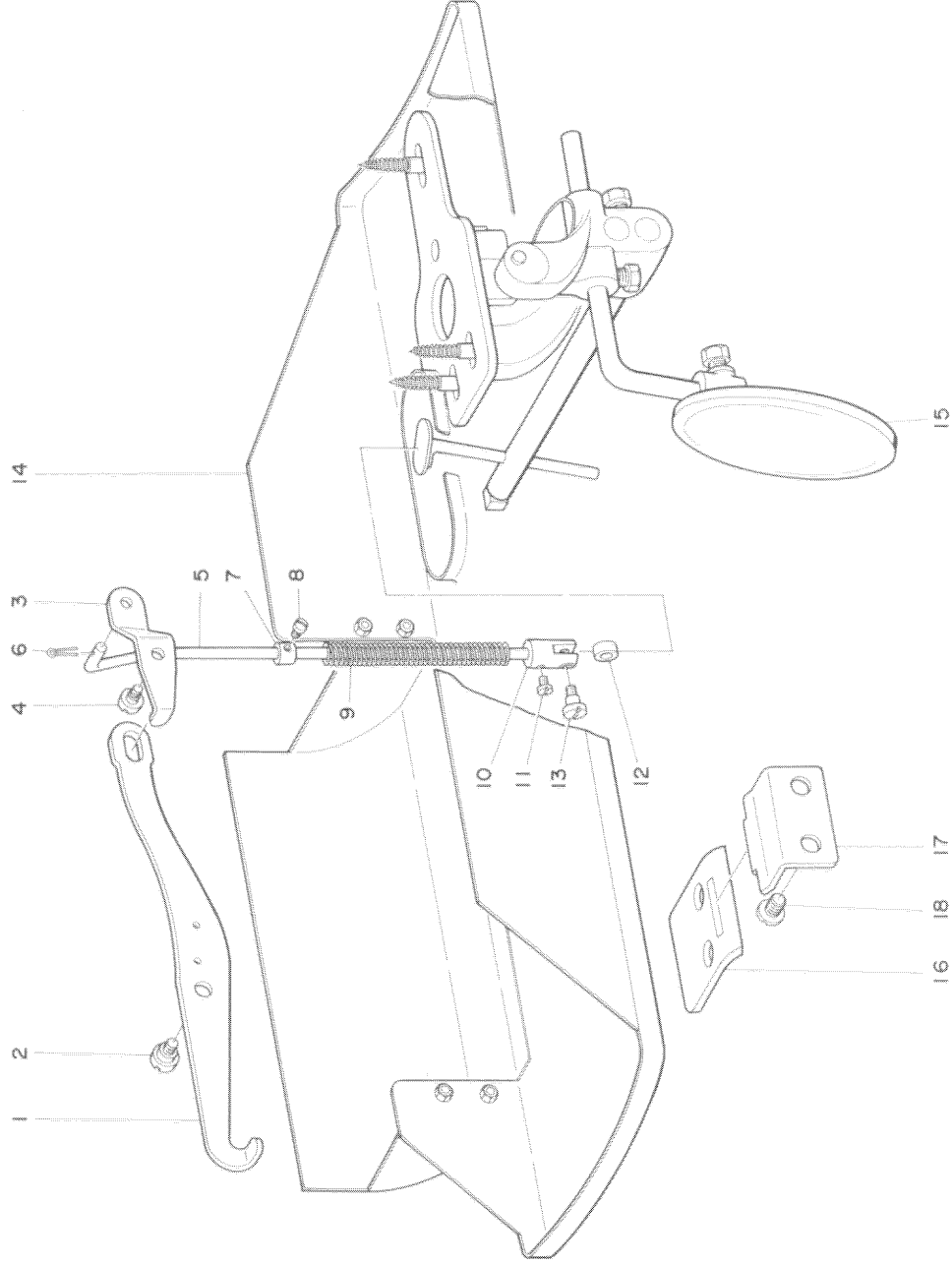
Ref. No.	Part No.	Description	Amt. Req.	Ref. No.	Part No.	Description	Amt. Req.
1	B-1801-051-000	Hook shaft	1	21	SS-8150710-SP	. . . Screw	2
2	B-1802-051-000	. . . Bushing, front	1	22	B-1816-051-000	Hook shaft gear	2
3	SS-8152030-SP Screw	1	23	SS-8660810-SP	. . . Screw	2
4	B-1825-051-000 Oil wick	1	24	SS-8660970-TP	. . . Screw	2
5	B-1804-051-000	. . . Bushing, intermediate	1	25	B-1817-051-000	Hook driving shaft gear	2
6	SS-8151550-SP Screw	1	26	SS-8660530-TP	. . . Screw	4
7	B-1806-051-000	. . . Timing indicator	1	27	B-1818-051-000	. . . Thrust washer	2
8	SS-7090610-SP Screw (B)	1	28	B-1820-051-000	Bobbin case opening lever link	1
9	SS-7090520-SP Screw	1	29	B-1821-051-000	Screw stud, for crank	2
*10	B-1807-051-0A0	. . . Bushing, rear asm.	1	30	B-1204-051-000	. . . Oil wick	2
	 Bushing, rear (1)	①	31	NS-6110420-SP	. . . Nut	2
	 Bushing, rear (2)	①	32	B-1822-051-000	Bobbin case opening lever crank	2
		. . . Bearing retaining collar	①	33	B-1823-051-000	. . . Pin	2
		. . . Bearing	①	34	SS-8150710-SP Screw	2
		. . . Screw, for collar	③	35	B-1204-051-000 Oil wick	2
11	SS-8152030-SP	. . . Screw, for intermediate bushing	1	36	B-1824-051-000	Bobbin case opening lever	2
12	SS-8150750-SP	. . . Screw (2), for rear bushing	2	37	SS-6090620-SP	. . . Screw	2
13	B-1810-051-000	Hook driving shaft saddle, left	1	38	WP-0371016-SD	. . . Washer	2
14	B-1811-051-000	Hook driving shaft saddle, right	1	39	B-1830-051-0A0	Vertical-axis sewing hook asm.	2
15	SS-7762840-SP	. . . Screw	2	40	B-1839-051-000	Oil reservoir	1
16	B-1812-051-000	. . . Washer	2	41	SS-7110410-SP	. . . Screw	2
17	SS-6153040-SP	. . . Clamp screw	2	42	B-1841-051-000	. . . Oil drip felt	1
18	B-1814-051-000	Hook driving shaft upper bushing	2	43	B-1840-051-000	Feed driving eccentric	1
19	SS-8151150-SP Screw	2	44	SS-8150580-SP	. . . Screw	1
20	B-1815-051-000	Hook driving shaft lower bushing	2	45	B-9117-051-000	Bobbin	2

6. CLOTH PULLEY COMPONENTS



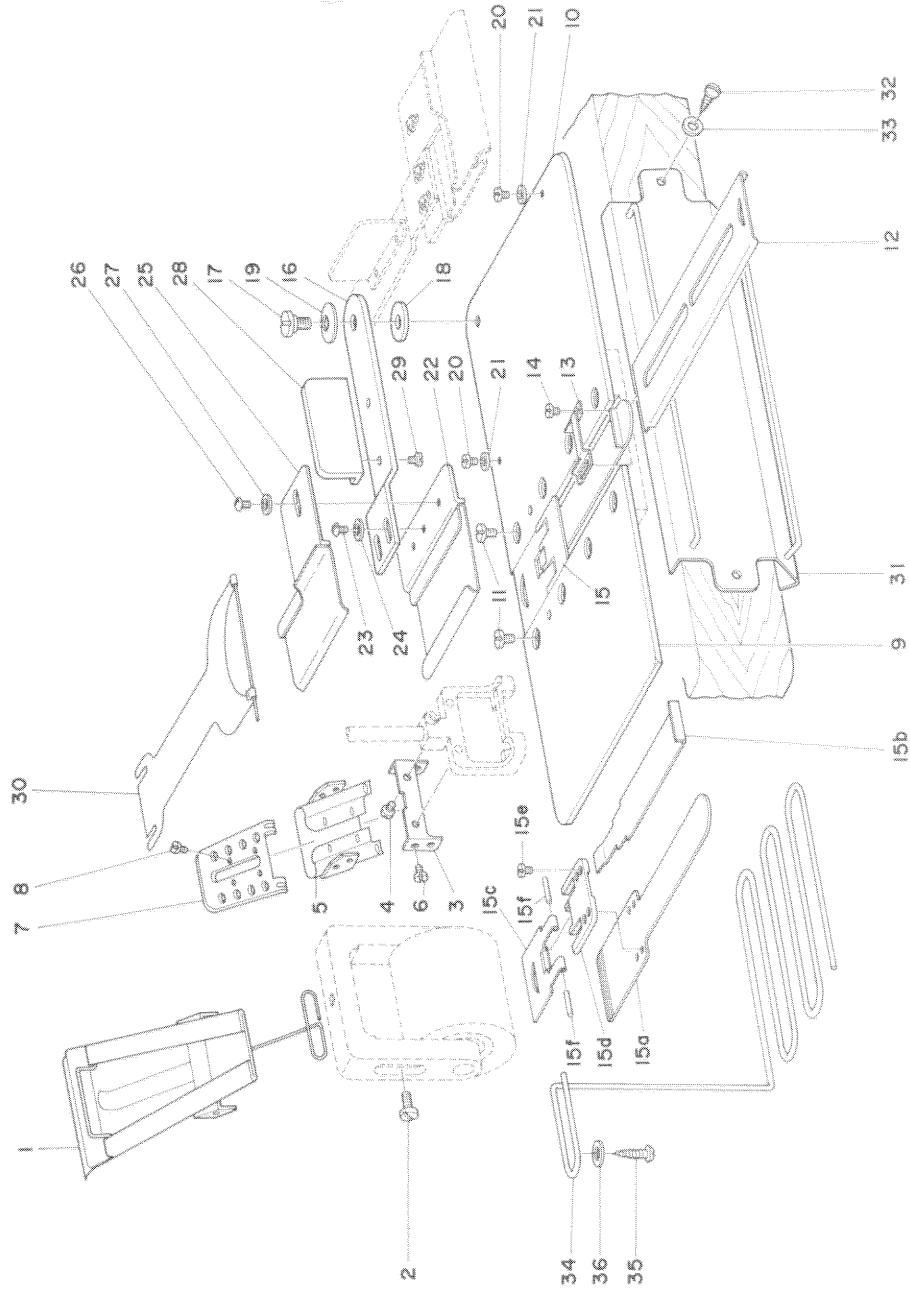
Ref. No.	Part No.	Description	Amt. Req.	Ref. No.	Part No.	Description	Amt. Req.
1	B-3601-518-000	Upper roller installing base	1	28h	B-1620-155-000	Ratchet pawl connecting pin	1
2	SS-9151440-CP	... Screw, large	3	28j	B-1628-051-000	Ratchet gear	1
3	SS-9111010-SP	... Screw, small	1	28k	B-1623-051-000	Ratchet pawl	1
4	B-3604-518-000	... Cover	1	28m	SS-8661030-SP	... Screw	2
5	SS-7110570-SP	... Screw	1	28n	B-1618-051-000	Needle bearing	1
6	B-3602-518-000	Upper roller bar	1	28p	CS-0951065-SH	Ratchet gear retaining collar	1
7	NS-6680410-SP	... Nut	1	29	B-3631-518-000	Connecting rod hinge screw	1
8	B-3603-518-000	Upper roller bracket	1	30	B-3632-518-000	... Roller	1
9	B-3605-518-000	Hand lifter, for upper roller	1	31	WP-0612516-SD	... Washer	1
10	B-3606-518-000	Upper roller bar guide bracket	1	32	NS-6150540-SP	... Nut	1
11	SD-0790361-SP	... Clamp screw	1	33	B-1636-051-000	Thumb screw stud	1
12	B-3607-518-000	Upper roller (B)	1	34	B-1637-051-000	... Sleeve	1
13	B-3608-518-000	... Shaft	1	35	B-1639-518-000	... Spring	1
14	SS-8110520-TP	... Screw	2	36	RE-0500000-K0	... Snap ring	1
15	B-1518-232-000	... Presser spring	1	37	B-1624-552-000	Ratchet pawl spring	1
16	B-1509-012-000	... Regulator	1	38	SD-0260271-SP	... Screw	1
17	B-3611-518-000	Lower roller installing base	1	*39	B-3620-518-0A0	Intermittent clutch	1
18	SS-6681410-SP	... Screw	2	39a	B-3621-518-000	... Body	1
19	B-3614-518-000	Lower roller shaft	1	39b	SS-6151220-SP	... Screw	2
20	B-3615-518-000	Lower roller (B)	1	39c	B-3622-518-000	... Pawl, front	1
21	SS-8151550-SP	... Screw	2	39d	SS-8151280-SP	... Screw (A)	1
22	B-3616-518-000	Front bushing, for shaft	1	39e	SS-8151230-SP	... Screw (B)	1
23	SS-8150750-SP	... Screw	1	39f	B-3623-518-000	... Pawl, rear	1
24	B-3617-518-000	Rear bushing, for shaft	1	39g	SS-8150580-SP	... Screw (A)	1
25	SS-8150750-SP	... Screw	1	39h	SS-8150710-SP	... Screw (B)	1
26	B-3618-518-000	Cover, for lower roller installing base	1	39j	B-3625-518-000	... Cover, front	1
27	SS-7110830-SP	... Screw	1	39k	B-3627-518-000	... Stopper pin	1
*28	B-1601-518-0A0	Cloth feed eccentric asm.	2	39m	B-3628-518-000	... Spring	6
28a	B-1614-518-000	Connecting rod	1	39n	B-3629-518-000	... Clutch plate	6
28b	B-1702-012-000	... Oil felt	1	39p	SS-6080710-SP	... Screw	12
28c	B-1213-012-000	... Presser	1	39q	B-3630-518-000	... Roller supporting pin	6
28d	B-1620-051-000	Cloth feed eccentric	1	39r	B-3626-518-000	Clutch feed plate	1
28e	B-1621-051-000	... Body	1	39s	B-3624-518-000	... Roller	6
28f	B-1626-051-000	Cloth feed regulator	1	40	SS-8110750-SP	Stopper pin set screw	1
28g	SD-0700431-SD	Feed regulating screw	1				

7. KNEE LIFTER COMPONENTS



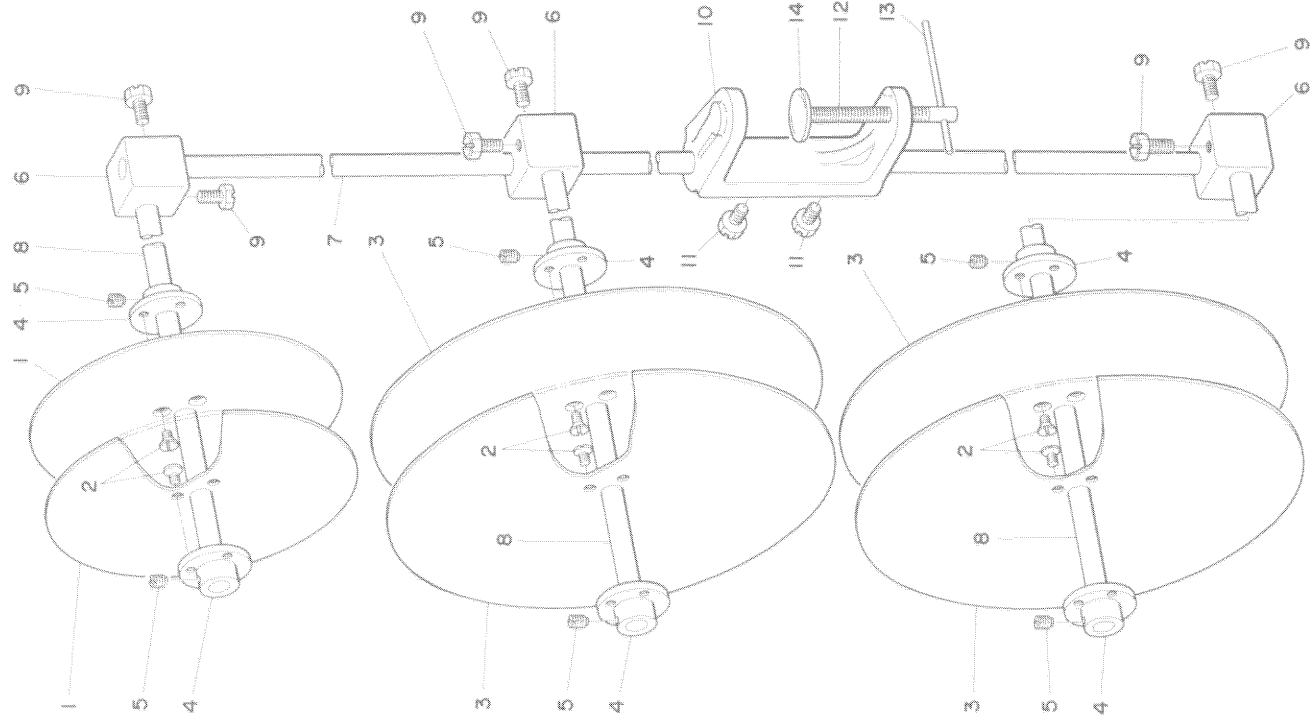
Ref. No.	Part No.	Description	Amt. Req.
1	B-3409-053-000	Knee lifting lever, front	1
2	SD-0790361-SP	... Hinge screw	1
3	B-3410-051-000	Knee lifting lever, rear	1
4	SD-0790361-SP	... Hinge screw	1
5	B-3413-053-000	Lifting lever connecting rod	1
6	PD-0231100-08	... Pin	1
7	CS-0510713-SC	... Retainer, for spring	1
8	SS-7110540-SP	... Screw	1
9	B-3414-051-000	... Spring	1
10	B-3416-051-000	... Roller holder	1
11	SS-7110510-SP	... Screw	1
12	B-3417-051-000	... Roller	1
13	SD-0550801-SP	... Stud	1
14	B-8217-518-OA0	Oil reservoir asm.	1
15	B-3401-027-0B0	Knee press plate asm.	1
16	B-8212-518-000	Hinge, front for pulley	1
17	B-8213-518-000	Hinge supporter, front	1
18	SS-1681140-SP	... Screw	2

8. WAIST BAND GUIDE COMPONENTS

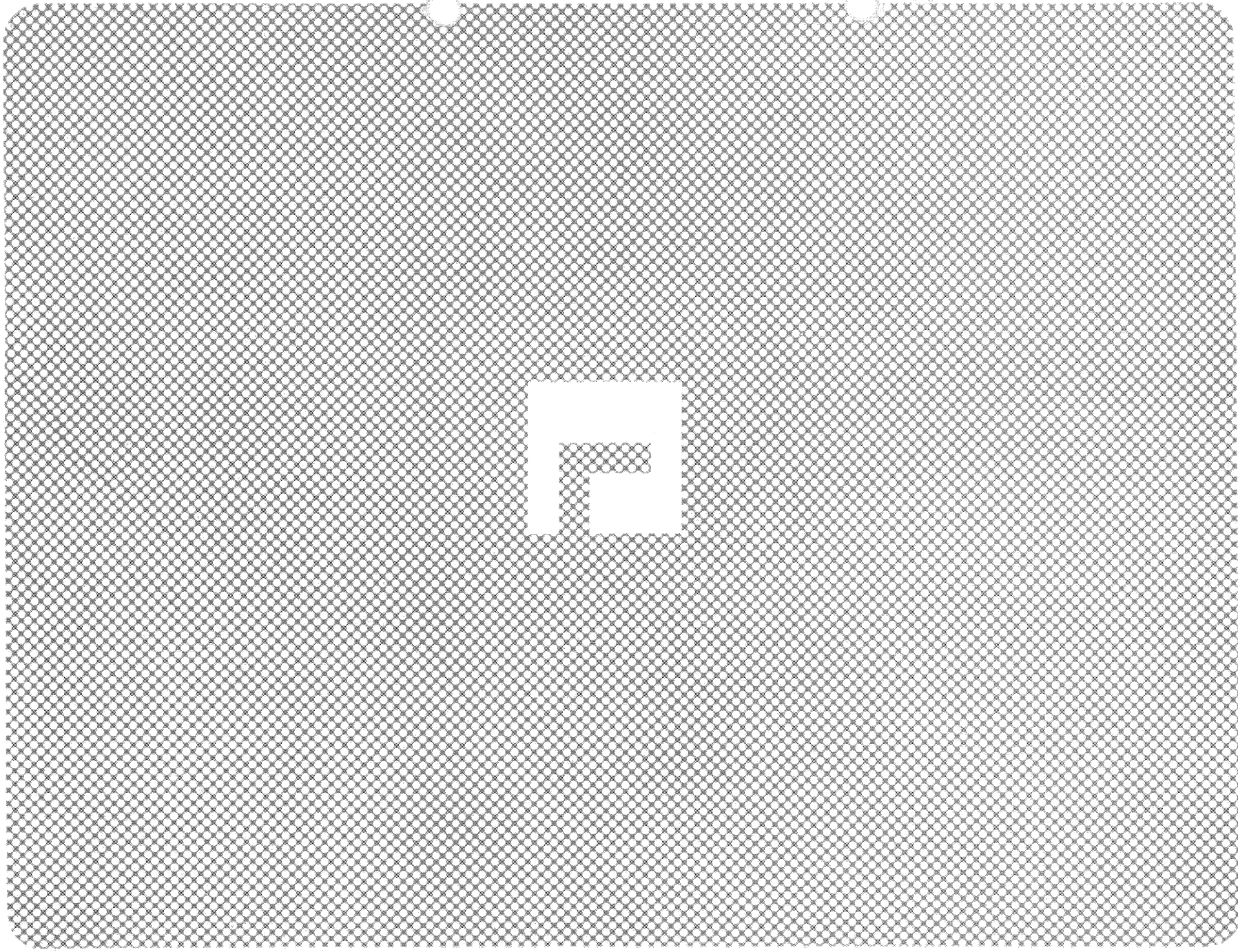


Ref. No.	Part No.	Description	Amt. Req.	Ref. No.	Part No.	Description	Amt. Req.
1	B-3701-518-000	Waist band folder	1	16	B-3726-518-000	Cloth guide sewing lever	1
2	SS-711120-SP	... Screw	2	17	SD-0790303-SP	... Hinge screw	1
3	B-3702-518-000	Guide plate supporter	1	18	WP-0612516-SD	... Washer	1
4	SS-7080510-SP	... Screw	2	19	B-1121-232-000	... Flat head spring	1
5	B-3703-518-000	Holder guide plate	1	20	SS-6080410-SP	... Stopper	2
6	SS-7060310-SP	... Screw	4	21	WP-0371036-SD	... Washer	2
7	B-3704-518-000	Blind stitch needle guide	1	22	B-3727-518-000	Cloth guide, lower	1
8	SS-6060210-SP	... Screw	4	23	SS-3090510-SL	... Screw	2
9	B-3712-518-000	Cloth slide plate, left	1	24	WP-0370316-SD	... Washer	2
10	B-3713-518-000	Cloth slide plate, right	1	25	B-3728-518-000	Cloth guide, upper	1
11	SS-6090540-SP	... Screw	8	26	SS-3090510-SL	... Screw	1
12	B-3715-518-000	Waist band guide cover	1	27	WP-0370316-SD	... Washer	1
13	B-3716-518-000	Cloth clamp stopper	1	28	B-3729-518-000	... Lever	1
14	SS-5060310-SP	... Screw	2	29	SS-6080410-SP	... Screw	2
*15	B-3717-518-0A0	Waist band clamp asm.	1	30	B-3730-518-0A0	Waist band guide plate asm.	1
15a	B-3718-518-000	... Base	①	31	B-3735-518-000	Tape guide	1
15b	B-3719-518-000	... Operating plate	①	32	SK-3482500-SC	... Screw	2
15c	B-3720-518-000	... Upper plate	①	33	WP-0621016-SD	... Washer	2
15d	B-3721-518-000	... Installing plate	①	34	B-3736-518-000	Intermediate tape guide	1
15e	SS-6060220-SP	... Screw	④	35	SK-3452500-SC	... Screw	2
15f	B-3722-518-000	... Pin	②	36	WP-0621016-SD	... Washer	2

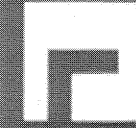
9. TAPE REEL COMPONENTS



Ref. No.	Part No.	Description	Amt. Req.
1	MAT-92021-R0A	Reel A	2
2	SS-1110640-TP	. . . Screw	18
3	MAT-90201-R0B	Reel B	4
4	MAT-90202-R00	Bushing, for reel shaft	6
5	SS-8150510-TP	. . . Screw	12
6	MAT-90203-R00	Reel shaft bracket	3
7	MAT-90204-R0A	Reel support post A	1
8	MAT-90205-R0A	Reel shaft A	3
9	SS-9151160-CP	. . . Screw	6
10	MAT-90102-R00	Tape reel support	1
11	SS-9151160-CP	. . . Screw	2
12	MAT-90104-R00	. . . Clamp screw	1
13	MAT-90105-R00	. . . Handle	1
14	MAT-90106-R00	. . . Presser	1



AH518BEP Printed in Japan(T)



TOKYO JUKI INDUSTRIAL CO.,LTD.

Head Office & Plant: 2-1, 8-chome, Kokuryo-cho, Chofu-shi, Tokyo, Japan
Business Office: 23, Kabuki-cho, Shinjuku-ku, Tokyo, Japan
Cable Address: JUKI TOKYO Telex: 232-2301 JUKISINJUKU TOK