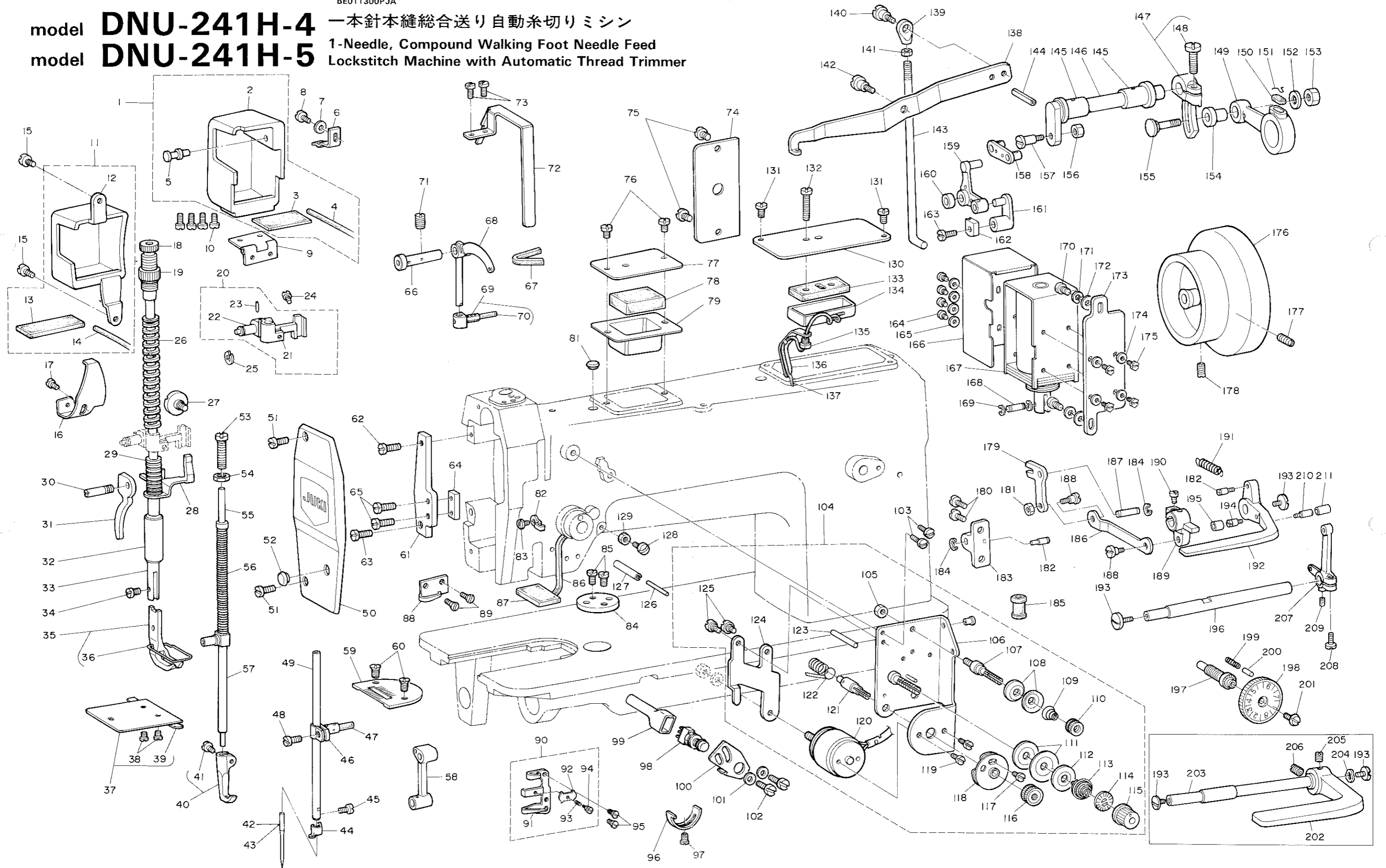


# JUKI®

No.0302-00  
1987.8  
BE011300PJA

model **DNU-241H-4** 一本針本縫総合送り自動糸切りマシン  
model **DNU-241H-5** 1-Needle, Compound Walking Foot Needle Feed  
Lockstitch Machine with Automatic Thread Trimmer



REF.NO.	NOTE	PART NO.	DESCRIPTION	ヒンメイ	AMT.
1		D1482-241-EAO	UPPER FEED REAR COVER ASM.	ウツウツカ ｶﾝﾊﾞｰ ｳｼﾛ ｸﾏ	1
2		D1482-241-EEO	UPPER FEED REAR COVER	ウツウツカ ｶﾝﾊﾞｰ (ウｼﾛ)	(1)
3		D1483-241-EEO	FELT	ウツウツカ ｶﾝﾊﾞｰ ｳｼﾛ (ウｼﾛ)	(1)
4		CQ-3030000-00	OIL WICK	ｳｼﾝ	(0.2)
5		D1484-241-EEO	PIN	ウツウツカ ｶﾝﾊﾞｰ ｲﾀ ｽﾀﾝﾋﾟﾝ	(1)
6		D1485-241-EEO	UPPER FEED COVER SPRING	ウツウツカ ｶﾝﾊﾞｰ ｲﾀ ｽﾀﾝ	1
7		WP-0450000-SD	WASHER 4.5X8X0.5	ﾋﾗｼﾞｶﾅ 4.5X8X0.5	1
8		SS-7110710-SP	SCREW 11/64-40 L=7	ﾏﾙﾋﾞﾗﾈｼﾞ 11/64-40 L=7	1
9		D1486-241-EEO	UPPER FEED COVER HINGE	ウツウツカ ｶﾝﾊﾞｰ ｷﾞｯｽﾞ ｶﾗ ﾞｲ	1
10		SS-7110710-SP	SCREW 11/64-40 L=7	ﾏﾙﾋﾞﾗﾈｼﾞ 11/64-40 L=7	4
11		D1480-241-EAO	UPPER FEED FRONT COVER ASM.	ウツウツカ ｶﾝﾊﾞｰ ﾏｲ ｸﾏ	1
12		D1480-241-EEO	UPPER FEED FRONT COVER	ウツウツカ ｶﾝﾊﾞｰ (ﾏｲ)	(1)
13		D1481-241-EEO	FELT	ウツウツカ ｶﾝﾊﾞｰ ｳｼﾛ (ﾏｲ)	(1)
14		CQ-3030000-00	OIL WICK	ｳｼﾝ	(0.2)
15		SS-7110910-SP	SCREW	ﾏﾙﾋﾞﾗﾈｼﾞ 11/64-40 L=8.5	2
16		B1140-051-000	TAKE-UP OIL SPLASHER	ﾃﾞﾝﾋﾞﾝ ｳｼﾛ ｲﾀ	1
17		SS-3090520-SP	SCREW 9/64-40 L=4.5	ﾏﾙﾋﾞﾗﾈｼﾞ 9/64-40 L=4.5	1
18		B1509-141-H00	PRESSER SPRING REGULATOR	ｵｰｼﾞｸﾞ ﾍﾞﾙﾝ	1
19		B1511-555-000	NUT 1/2-28	ｵｰｼﾞｸﾞ ﾍﾞﾙﾝ ﻧｯﾄ	1
20		D1460-241-EAO	PRESSER LIFTER LEVER ASM.	ｵｰｼﾞｸﾞ ﾍﾞﾙﾝ ﻧｯﾄ ﺗﾞ ﻳ ﺗ ﺗ ﺗ ﺗ ﺗ ﺗ ﺗ ﺗ	1
21		D1460-241-EAO	PRESSER LIFTER LEVER	ｵｰｼﾞｸﾞ ﾍﾞﾙﾝ ﻧັ	(1)
22		D1460-241-EAO	CONNECTING PIN	ｵｰｼﾞｸﾞ ﾍﾞﾙﾝ ﻧັ ﺗ ﺗ ﺗ ﺗ ﺗ ﺗ ﺗ ﺗ	(1)
23		PT-0201400-SO	TAPERED PIN 2X14	ﾃﾞﾝ ｼﾞ 2X14	(1)
24		SS-7111310-SP	SCREW 11/64-40 L=12.8	ﾏﾙﾋﾞﾗﾈｼﾞ 11/64-40 L=12.8	1
25		RE-0700000-KO	SNAP RING 7	ｶﾞ ﺗ ﺗ ﺗ ﺗ ﺗ ﺗ	1
26		B1510-141-H00	PRESSER SPRING	ｵｰｼﾞｸﾞ ﾍﾞﾙﾝ ｳｼﾛ	1
27		SD-0800481-SP	HINGE SCREW D= 8 H= 4.9	ﾀﾞ ﺗ ﺗ ﺗ ﺗ ﺗ ﺗ ﺗ ﺗ	1
28		B1460-246-OAO	THREAD RELEASE GUIDE ASM.	ﺗ ﺗ ﺗ ﺗ ﺗ ﺗ ﺗ ﺗ	1
29		B1462-053-000	THREAD RELEASE SPRING	ﺗ ﺗ ﺗ ﺗ ﺗ ﺗ ﺗ ﺗ	1
30		B1515-051-000	HAND LIFTER PIN	ｵｰｼﾞｸﾞ ﾍﾞﾙﾝ ﺗ ﺗ ﺗ	1
31		B1512-051-000	HAND LIFTER	ｵｰｼﾞｸﾞ ﾍﾞﾙﾝ	1
32		B1510-155-000	PRESSER BAR LOWER BUSHING	ｵｰｼﾞｸﾞ ﾍﾞﾙﾝ ﺗ ﺗ ﺗ ﺗ	1
33		B1501-241-H00	PRESSER BAR	ｵｰｼﾞｸﾞ ﾍﾞﾙﾝ	1
34		SS-6090910-TP	SCREW 9/64-40 L=9	ﾋﾗｼﾞｶﾅ 9/64-40 L=9	1
35		B1525-241-HAO	PRESSER FOOT ASM.	ｵｰｼﾞｸﾞ ﾍﾞﾙﾝ ｸﾏ	1
36		B1471-562-000-A	FINGER GUARD	ｶﾘ ｶﾞ ﺗ ﺗ ﺗ ﺗ ﺗ ﺗ ﺗ ﺗ	(1)
37		B1112-241-HAO	BED SLIDE ASM.	ｽﾊ ﺗ ﺗ ﺗ ﺗ ﺗ ﺗ	1
38		SS-6060210-SP	SCREW 3/32-56 L= 1.9	ﾋﾗｼﾞｶﾅ 3/32-56 L=1.9	(2)
39		B1111-241-H00	BED SLIDE SPRING	ｽﾊ ﺗ ﺗ ﺗ ﺗ ﺗ ﺗ	(1)
40		B1470-241-HAO	WALKING FOOT ASM.	ウツウツカ ﺗ ﺗ ﺗ ﺗ ﺗ	1
41		B1471-241-H00	SCREW	SS-7110710-SP	(1)
42		MDP-17082300	NEEDLE DPX17 #23	ｶﾘ DPX17 #23	1
43	#01	MC-3720016-00	NEEDLE SY3355 160	ｶﾘ SY3355 160	1
44		D1419-241-E00	NEEDLE BAR THREAD GUIDE	ｶﾘ ﺗ ﺗ ﺗ ﺗ ﺗ ﺗ	1
45		SS-7080510-TP	SCREW 1/8-44 L=4.5	ﾏﾙﾋﾞﾗﾈｼﾞ 1/8-44 L=4.5	1
46		D1411-241-E00	NEEDLE BAR CONNECTION	ｶﾘ ﺗ ﺗ ﺗ ﺗ ﺗ ﺗ	1
47		D1412-241-E00	FELT	ｶﾘ ﺗ ﺗ ﺗ ﺗ ﺗ ﺗ	1
48		SS-7090910-SP	SCREW 9/64-40 L= 8.5	ﾏﾙﾋﾞﾗﾈｼﾞ 9/64-40 L=8.5	1
49		D1401-241-E00	NEEDLE BAR	ｶﾘ ﺗ ﺗ ﺗ ﺗ ﺗ	1
50		D1121-241-EAO	FACE PLATE ASM.	ﾏﾝ ｲ ﺗ ﺗ ﺗ	1
51		SS-7110910-SP	SCREW	ﾏﾙﾋﾞﾗﾈｼﾞ 11/64-40 L=8.5	2
52		TA-1250406-RO	RUBBER PLUG	ﾄﾞ ﺗ ﺗ ﺗ ﺗ ﺗ ﺗ ﺗ	1
53		SS-6151780-SP	SCREW 15/64-28 L=17.0	ﾋﾗｼﾞｶﾅ 15/64-28 L=17	1
54		NS-6150310-SP	NUT 15/64-28	ﾄｯ ﺗ ﺗ ﺗ ﺗ ﺗ ﺗ	1
55		B1467-053-OAO	WALKING BAR ASM.	ウツウツカ ｶﾘ ﺗ ﺗ ﺗ ﺗ ﺗ ﺗ	1
56		B1468-053-000	WALKING BAR SPRING	ウツウツカ ｶﾘ ﺗ ﺗ ﺗ ﺗ ﺗ	1
57		B1466-241-E00	WALKING BAR	ウツウツカ ｶﾘ ﺗ ﺗ ﺗ	1
58		D1408-241-E00	NEEDLE BAR CRANK ROD	ｶﾘ ﺗ ﺗ ﺗ ﺗ ﺗ ﺗ	1
59		B1105-241-H00-A	THROAT PLATE	ｶﾘ ﺗ ﺗ ﺗ ﺗ	1
60		SS-2110915-SP	SCREW 11/64-40 L=8.8	ﾏﾙﾋﾞﾗﾈｼﾞ 11/64-40 L=8.5	2
61		D1464-241-E00	PRESSER BAR BRACKET	ｵｰｼﾞｸﾞ ﾍﾞﾙﾝ ﺗ ﺗ ﺗ ﺗ ﺗ	1
62		SS-7621040-SP	SCREW 3/16-32 L= 9.5	ﾏﾙﾋﾞﾗﾈｼﾞ 3/16-32 L=9.5	1
63		SS-7150740-SP	SCREW 15/64-28 L=7	ﾏﾙﾋﾞﾗﾈｼﾞ 15/64-28 L=7	1
64		D1463-241-E00	PRESSER BAR BRACKET GUIDE	ｵｰｼﾞｸﾞ ﾍﾞﾙﾝ ﺗ ﺗ ﺗ	1
65		SS-7621040-SP	SCREW 3/16-32 L= 9.5	ﾏﾙﾋﾞﾗﾈｼﾞ 3/16-32 L=9.5	2
66		B1906-051-000	TAKE-UP LEVER PIN	ﾃﾞﾝ ﺗ ﺗ ﺗ ﺗ ﺗ	1
67		D3505-241-E00	OIL WICK	ﻳ ﺗ ﺗ ﺗ ﺗ ﺗ ﺗ	1
68		D1905-241-E00	THREAD TAKE-UP LEVER	ﻳ ﺗ ﺗ ﺗ ﺗ ﺗ	1
69		D1907-241-EAO	TAKE-UP LEVER THRUST PIN ASM.	ﻳ ﺗ ﺗ ﺗ ﺗ ﺗ	1
70		CQ-2020000-00	OIL WICK	ｳｼﾝ	(0.1)
71		SS-8151150-SP	SCREW 15/64-28 L=10.5	ﾄﾞ ﺗ ﺗ ﺗ ﺗ ﺗ ﺗ	1

REF.NO.	NOTE	PART NO.	DESCRIPTION	ヒンメイ	AMT.
72		D1158-241-E00	THREAD TAKE-UP LEVER COVER	ﾃﾞﾝ ﺗ ﺗ ﺗ	1
73		SS-7150740-SP	SCREW 15/64-28 L=7	ﾏﾙﾋﾞﾗﾈｼﾞ 15/64-28 L=7	2
74		B1118-241-H00	SIDE PLATE	ﾏﾄ ｲ ﺗ ﺗ	1
75		SS-7110710-SP	SCREW 11/64-40 L=7	ﾏﾙﾋﾞﾗﾈｼﾞ 11/64-40 L=7	2
76		SS-7111120-SP	SCREW 11/64-40 L=10.5	ﾏﾙﾋﾞﾗﾈｼﾞ 11/64-40 L=10.5	2
77		D3502-241-E00	OIL TANK COVER	ﾀﾝ ﺗ ﺗ ﺗ ﺗ	1
78		D3503-241-E00	FELT	ﾀﾝ ﺗ ﺗ ﺗ	1
79		D3501-241-E00	OIL TANK	ﾀﾝ ﺗ ﺗ ﺗ	1
81		TA-1050504-RO	RUBBER PLUG	ﾀﾝ ﺗ ﺗ ﺗ	1
82		B3508-512-000	OIL FELT HOLDER	ｶﾝ ﺗ ﺗ ﺗ ﺗ ﺗ	1
83		SS-7110710-SP	SCREW 11/64-40 L=7	ﾏﾙﾋﾞﾗﾈｼﾞ 11/64-40 L=7	1
84		B1103-141-H00	SCALE BASE PLATE	ｼ ﺗ ﺗ ﺗ ﺗ	1
85		SS-7110720-SP	SCREW 11/64-40 L=7	SS-7110720-SP	2
86		103-21701	OIL RETURN WICK	ｶﾝ ﺗ ﺗ ﺗ ﺗ	1
87		D3504-241-E00	OIL SPONGE	ｶﾝ ﺗ ﺗ ﺗ ﺗ	1
88		B1129-563-000	FRAME THREAD GUIDE, UPPER	ﾄ ﺗ ﺗ ﺗ ﺗ	1
89		SS-2090710-SP	SCREW 9/64-40 L=7	SS-2090710-SP	2
90		B1130-521-0A0	THREAD GUIDE ASM., LOWER	ﾄ ﺗ ﺗ ﺗ ﺗ	1
91		B1130-521-000	THREAD GUIDE	ﾄ ﺗ ﺗ ﺗ ﺗ	(1)
92		B1131-521-000	THREAD PRESSER PLATE	ｶﾘ ﺗ ﺗ ﺗ ﺗ	(1)
93		B1132-521-000	THREAD PRESSER PLATE SPRING	ｶﾘ ﺗ ﺗ ﺗ ﺗ	(1)
94		SD-0380551-SL	HINGE SCREW D= 3.80 H= 5.5	ﾀﾞ ﺗ ﺗ ﺗ ﺗ ﺗ ﺗ	(1)
95		SS-2090710-SP	SCREW 9/64-40 L=7	SS-2090710-SP	2
96		B3138-512-000	TAKR-UP SPRING ADJUSTING PLATE	ﾄ ﺗ ﺗ ﺗ ﺗ	1
97		SS-7090520-SP	SCREW 9/64-40 L= 4.5	SS-7090520-SP	1
98	#02	D1680-141-E00	REVERSE FEED SWITCH	ｷ ﺗ ﺗ ﺗ ﺗ	1
99	#02	MAT-81126700	2-POLE PLUG COVER	2P ﺗ ﺗ ﺗ ﺗ	1
100	#02	D1681-241-E00	SWITCH INSTALLING BASE	ｽ ﺗ ﺗ ﺗ ﺗ	1
101	#02	WP-0501016-SD	WASHER 5X10.5X1	ﾋﾗ ﺗ ﺗ ﺗ ﺗ	2
102	#02	SS-7110710-SP	SCREW 11/64-40 L=7	SS-7110710-SP	2
103		SS-7110710-SP	SCREW 11/64-40 L=7	SS-7110710-SP	2
104		103-20075	TENSION POST ASM.	ﺗ ﺗ ﺗ ﺗ ﺗ	1
105		NS-6110310-SP	NUT 11/64-40	NS-6110310-SP	(1)
106		103-20059	TENSION POST BASE ASM.	ﺗ ﺗ ﺗ ﺗ ﺗ	(1)
107		101-24204	THREAD TENSION POST, A	ﾀ ﺗ ﺗ ﺗ ﺗ ﺗ	(1)
108		B3214-047-000	BOBBIN WINDER TENSION DISC	ﺗ ﺗ ﺗ ﺗ ﺗ	(2)
109		D3168-555-H0R	SPRING	ﾀ ﺗ ﺗ ﺗ ﺗ ﺗ	(1)
110		B3216-047-000	BOBBIN WINDER TENSION NUT	ﺗ ﺗ ﺗ ﺗ ﺗ	(1)
111		B3126-051-000	TENSION DISC	ﺗ ﺗ ﺗ ﺗ ﺗ	(2)
112		B3132-051-000	TENSION DISC HOLDER	ﺗ ﺗ ﺗ ﺗ ﺗ	(1)
113		B3129-053-000	TENSION SPRING	ﺗ ﺗ ﺗ ﺗ ﺗ	(1)
114		B3120-125-000	TENSION DISC STOPPER	ﺗ ﺗ ﺗ ﺗ ﺗ	(1)
115		B3119-771-000	TENSION NUT	ﺗ ﺗ ﺗ ﺗ ﺗ	(1)
116		B3125-012-000	THREAD TENSION STUD NUT	ﺗ ﺗ ﺗ ﺗ ﺗ	(1)
117		SS-3090710-TP	SCREW 9/64-40 L=7	SS-3090710-TP	(1)
118		B3137-527-OAO	THREAD TAKE-UP SPRING GUIDE ASM.	SS-7110570-SP	(1)
119		SS-7110570-SP	SCREW 11/64-40 L= 4.8	SS-7110570-SP	(2)
120		103-20703	TENSION RELEASE SOLENOID	ﺗ ﺗ ﺗ ﺗ ﺗ	(1)
121		103-20109	SCREW STUD	ﺗ ﺗ ﺗ ﺗ ﺗ	(1)
122		B3128-051-000	THREAD TAKE-UP SPRING, A	ﺗ ﺗ ﺗ ﺗ ﺗ	(1)
123		B3127-051-000	TENSION RELEASE PIN, SHORT	ﺗ ﺗ ﺗ ﺗ ﺗ	(1)
124		103-20505	TENSION RELEASE LEVER	ﺗ ﺗ ﺗ ﺗ ﺗ	(1)
125		SD-0470281-SP	HINGE SCREW D=4.7 H=2.8	ﾀ ﺗ ﺗ ﺗ ﺗ ﺗ ﺗ	(2)
126		103-21107	TENSION RELEASE BAR	ﺗ ﺗ ﺗ ﺗ ﺗ	1
127		PS-0600502-KP	SPRING PIN	ｽ ﺗ ﺗ ﺗ ﺗ	1
128		SS-6111140-SP	SCREW 11/64-40 L=11	SS-6111140-SP	1
129		NS-8110350-SP	NUT 11/64-40	NS-8110350-SP	1
130		D1150-241-E00	TOP COVER	ﻳ ﺗ ﺗ ﺗ	1
131		SS-7110710-SP	SCREW 11/64-40 L=7	SS-7110710-SP	2
132		SS-7111810-SP	SCREW 11/64-40 L=18	SS-7111810-SP	1
133		B8218-241-H00	OIL PAD	ﾌ ﺗ ﺗ ﺗ ﺗ	1
134		B8217-241-H00	OIL RESERVOIR	ﾌ ﺗ ﺗ ﺗ ﺗ	1
135		SS-7080510-TP	SCREW 1/8-44 L=4.5	SS-7080510-TP	2
136		B3502-115-000	OIL WICK RETAINER	ﻳ ﺗ ﺗ ﺗ ﺗ	1
137		CQ-2020000-00	OIL WICK	ﻳ ﺗ ﺗ ﺗ	0.4
138		D3410-241-E00	PRESSER BAR LIFTING LEVER	ﻳ ﺗ ﺗ ﺗ ﺗ	1
139		B3410-141-H00	SWIVEL	ﻳ ﺗ ﺗ ﺗ ﺗ	1
140		SD-0790351-SP	HINGE SCREW D=7.9 H=3.5	ﾀ ﺗ ﺗ ﺗ ﺗ ﺗ ﺗ	1
141		NS-6620310-SP	NUT 3/16-32	NS-6620310-SP	1
142		SD-0790361-SP	HINGE SCREW D= 7.94 H= 3.6	ﾀ ﺗ ﺗ ﺗ ﺗ ﺗ ﺗ	1

REF.NO.	NOTE	PART NO.	DESCRIPTION	ヒンメイ	AMT.
143		B3415-141-H00	LIFTING LEVER CONNECTING ROD	ﻳ ﺗ ﺗ ﺗ ﺗ	1
144		PS-0600202-KH	SPRING PIN 6X20	ｽ ﺗ ﺗ ﺗ ﺗ	1
145		103-13906	BUSHING	ウツウツカ ﺗ ﺗ ﺗ ﺗ	2
146		103-14003	UPPER FEED DRIVING SHAFT	ウツウツカ ﺗ ﺗ ﺗ	1
147		D1454-055-BAO	UPPER FEED SPRING ROD ASM.	ウツウツカ ﺗ ﺗ ﺗ	1
148		SS-9161610-SP	SCREW 1/4-24 L=16	SS-9161610-SP	(1)
149		D1453-241-E00	UPPER FEED DRIVING ROD	ウツウツカ ﺗ ﺗ ﺗ	1
150		B1702-012-000	OIL FELT	ﾌ ﺗ ﺗ ﺗ	1
151		B1213-012-000	FELT RETAINER	ﾌ ﺗ ﺗ ﺗ	1
152		D1457-055-B00	WASHER	ﾋﾗ ﺗ ﺗ ﺗ ﺗ	1
153		NS-6620310-SP	NUT 3/16-32	NS-6620310-SP	1
154		D1455-055-B00	CONNECTING STUD	ウツウツカ ﺗ ﺗ ﺗ ﺗ	1
155		B1456-141-H00	HINGE SCREW	ウ ﺗ ﺗ ﺗ ﺗ ﺗ	1
156		NS-6660430-SP	NUT 1/4-40	NS-6660430-SP	1
157		103-14201	SCREW STUD	ウツウツカ ﺗ ﺗ ﺗ ﺗ	1
158		D1458-241-E00	CONNECTING LINK	ウツウツカ ﺗ ﺗ ﺗ ﺗ	1
159		D1459-241-E00	L SHAPED LINK	ﻳ ﺗ ﺗ ﺗ ﺗ	1
160		D1462-241-E00	CONNECTING PIN ROLLER	ﻳ ﺗ ﺗ ﺗ ﺗ	1
161		103-14508	WALKING BAR DRIVING LINK	ウツウツカ ﺗ ﺗ ﺗ ﺗ	1
162		B1659-484-000	SLIDE BLOCK	ﻳ ﺗ ﺗ ﺗ ﺗ	1
163		SS-7110510-SP	SCREW 11/64-40 L=5	SS-7110510-SP	1
164		SS-7110710-SP	SCREW 11/64-40 L=7	SS-7110710-SP	4
165	#02	WP-0501016-SD	WASHER 5X10.5X1	ﻳ ﺗ ﺗ ﺗ ﺗ	4
166	#02	101-19303	SOLENOID COVER	ﻳ ﺗ ﺗ ﺗ ﺗ	1
167	#02	101-19006	REVERSE FEED SOLENOID, AC31V	ｷ ﺗ ﺗ ﺗ ﺗ ﺗ	1
168	#02	D2464-555-B00	LINK DRIVING MAGNET PIN	ﻳ ﺗ ﺗ ﺗ ﺗ	1
169	#02	RE-0400000-KO	SNAP RING 4	ｶ ﺗ ﺗ ﺗ ﺗ	2
170	#02	SS-7151210-SP	SCREW 15/64-28 L=12	SS-7151210-SP	2
171	#0				

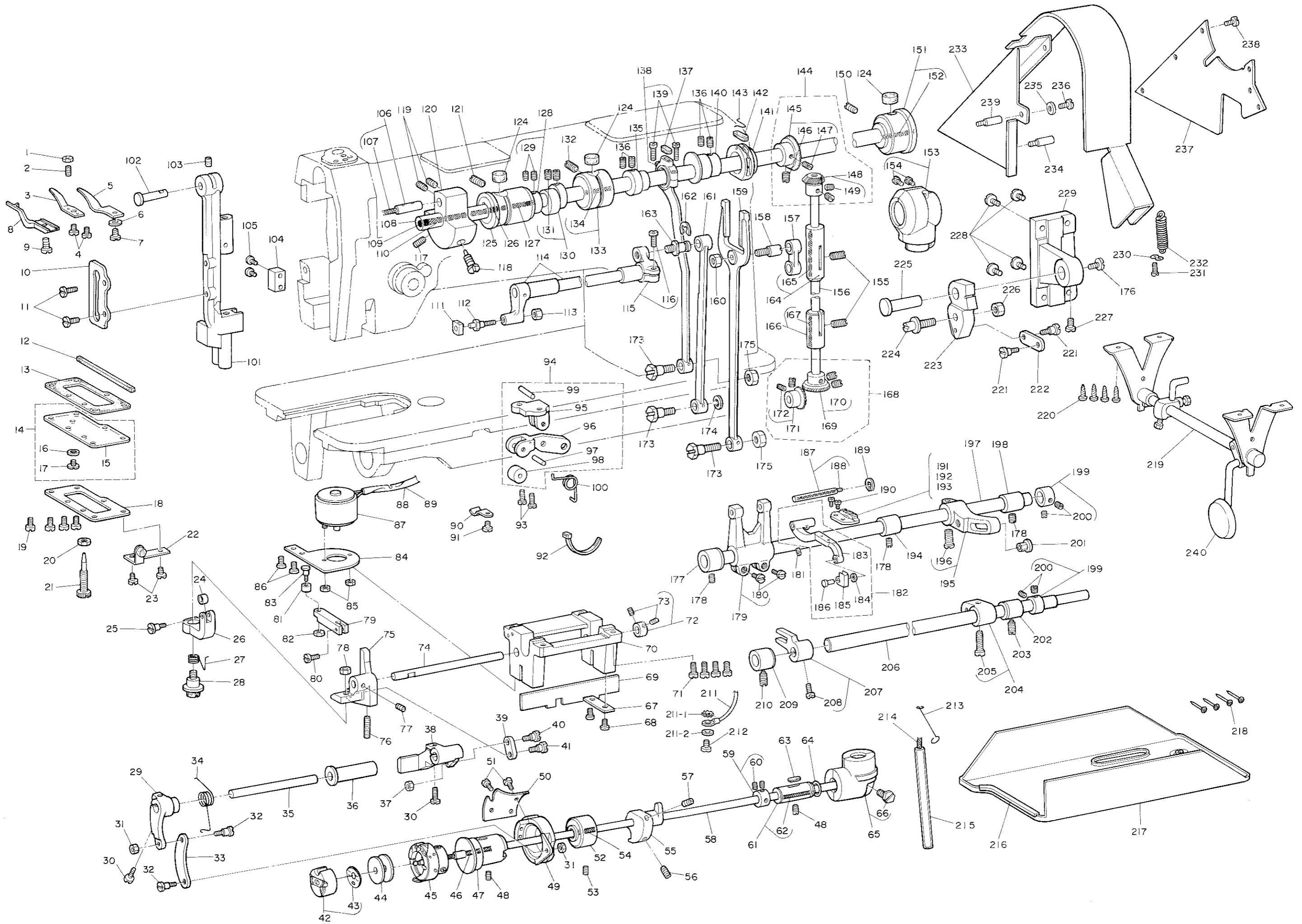


Table with columns: REF.NO., NOTE, PART NO., DESCRIPTION, H I N M Y, AMT.

Table with columns: REF.NO., NOTE, PART NO., DESCRIPTION, H I N M Y, AMT.

Table with columns: REF.NO., NOTE, PART NO., DESCRIPTION, H I N M Y, AMT.

Note (注記) #01...For DNU-241H-4 DNU-241H-4用
#02...For DNU-241H-5 DNU-241H-5用
#03...Special order part for thin needle 細針用特別注文部品
#04...Special order part for heavy weight materials 厚物用特別注文部品