

MODEL : DNU-1541/DNU-1541H/DNU-1541S
List No : 1401-05

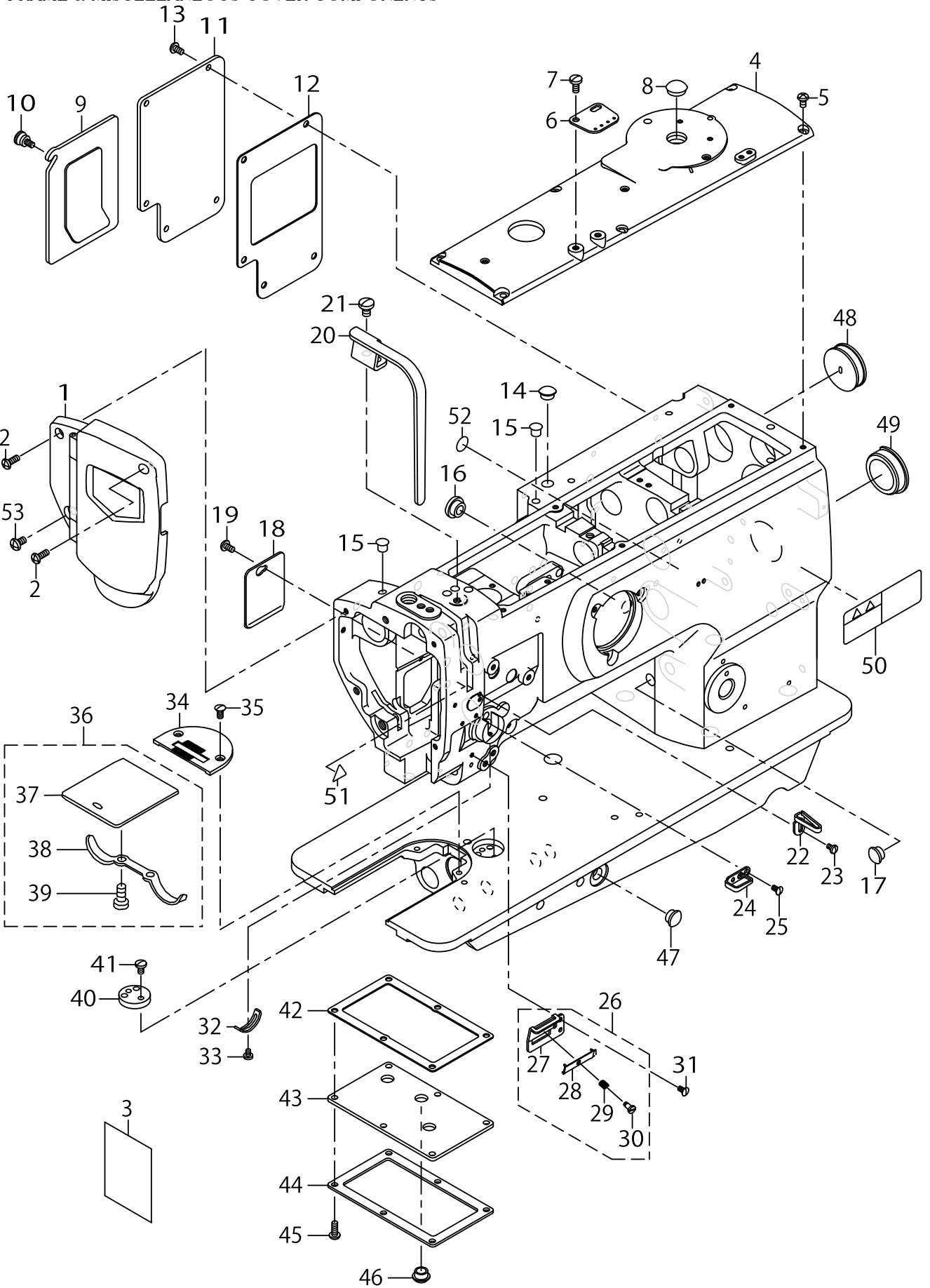
PARTS LIST

Published:08/22/2016

CONTENTS

FRAME & MISCELLANEOUS COVER COMPONENTS	1
UPPER SHAFT DRIVING & BALANCE COMPONENTS	3
NEEDLE BAR ROCKING COMPONENTS	5
PRESSURE ADJUSTING & UPPER FEED MECHANISM COMPONENTS	7
FEED MECHANISM COMPONENTS.....	9
HOOK SHAFT & LOWER SHAFT COMPONENTS	13
OPENER COMPONENTS (FOR DNU-1541S)	17
THREAD TENSION COMPONENTS	19
KNEE LIFTING COMPONENTS	21
LOWER THREAD WINDER MECHANISM COMPONENTS	23
LUBRICATION COMPONENTS	25
BELT COVER & OIL RESERVOIR COMPONENTS.....	27
THREAD STAND COMPONENTS.....	29

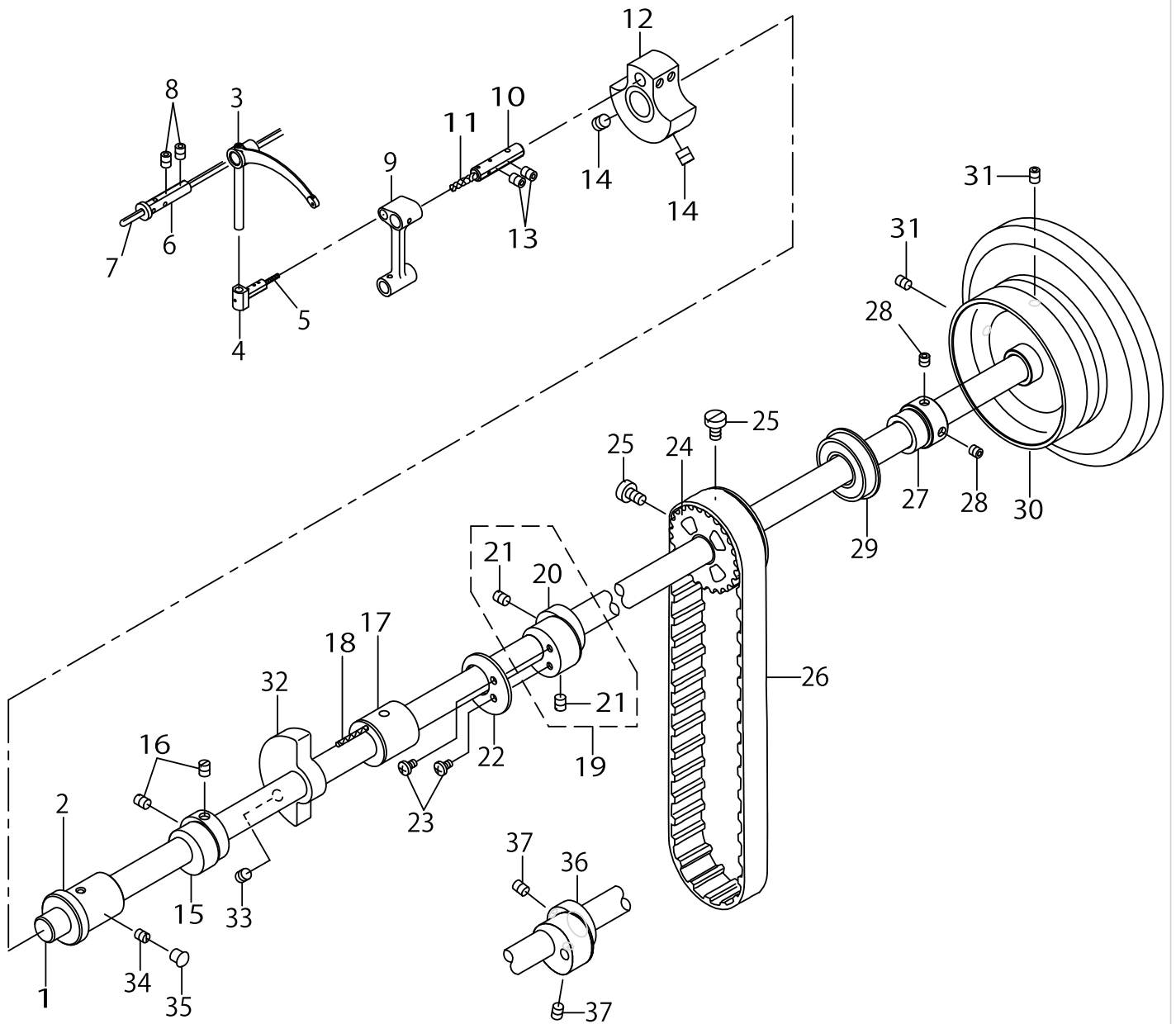
FRAME & MISCELLANEOUS COVER COMPONENTS



FRAME & MISCELLANEOUS COVER COMPONENTS

No.	C- ons	Le- vel	Parts No.	Replacement	Supply Code	Parts name	Qty	R- ep- Q- TY	Status	Spec	Remarks
1			40016798			FACE PLATE ASM.	1				
2			SS4111215SP			SCREW 11/64-40 L=12	2				
3			40019114			LUBRICATION SUPPLEMEN	1				
4			21331301			TOP COVER B	1				
5			SS4110815SP			SCREW 11/64-40 L=8	6				
6			21355904			ARM THREAD GUIDE	1				
7			SS7621040SP			SCREW 3/16-32 L= 9.5	2				
8			TA1450404R0			RUBBER PLUG D=14.5 L=4	1				
9			21331756			WINDOW PLATE A ASM.	1				
10			21331202			SETSCREW	1				
11			21331806			WINDOW PLATE B	1				
12			21332002			WINDOW PLATE PACKING	1				
13			SS4110815SP			SCREW 11/64-40 L=8	5				
14			TA1250504R0			RUBBER PLUG	1				
15			TA0750704R0			RUBBER PLUG	2				
16			TA1250504R0			RUBBER PLUG	1				
17			TA1050504R0			RUBBER PLUG	1				
18			21332309			SIDE COVER	1				
19			SS4110815SP			SCREW 11/64-40 L=8	1				
20			21331608			BALANCE COVER	1				
21			SS7150910TP			SCREW 15/64-28 L=9	1				
22			40108674			THREAD GUIDE	1				FOR DNU-1541
23			SS5090610SP			SCREW 9/64-40 L=6	1				FOR DNU-1541
24			40108675			FRAME THREAD GUIDE	1				
25			SS2090710TP			SCREW 9/64-40 L=7.2	2				
26			21408554			THREAD GUIDE ASM.	1				
27		*	21408505	21408554		THREAD GUIDE PLATE	1	1.00			
28		*	17912106			NEEDLE THREAD PRESSER	1				
29		*	B1132521000			THREAD PRESSER PLATE	1				
30		*	SD0380551SL			HINGE SCREW D= 3.80 H=	1				
31			SS2090710TP			SCREW 9/64-40 L=7.2	1				
32			B3138512000			TAKE-UP SPRING ADJUSTI	1				
33			SS7090520TP			SCREW 9/64-40 L= 4.5	1				
34			21410006			THROAT PLATE	1				
35			SS2110920TP			SCREW 11/64-40 L=8.5	2				
36			B1112241HA0			BED SLIDE ASM.	1				
37		*	B1112241H00	B1112241HA0		BED SLIDE	1	1.00			
38		*	A1111007000			SLIDE PLATE SPRING	1				
39		*	SS6060210SP			SCREW 3/32-56 L= 1.9	2				
40			B1103141H00			SCALE BASE PLATE	1				
41			SS7110720SP			SCREW 11/64-40 L=7	2				
42			21401302			GASKET	1				
43			21401401			OIL TANK COVER	1				
44			21401500			OIL TANK COVER PLATE	1				
45			SS4111015SP			SCREW 11/64-40 L=10	6				
46			TA1050504R0			RUBBER PLUG	3				
47			TA1050504R0			RUBBER PLUG	1				
48			10201200			RUBBER PLUG	1				
49			22619100			CAP	1				
50			CM301300001			SAFETY LABEL	1				
51			CM300200001			ATTENTION SEAL	1				EXCEPT USE IN
52			22901805			GROUND MARK	1				
53			SS4150915SP			SCREW 15/64-28 L=9	1				

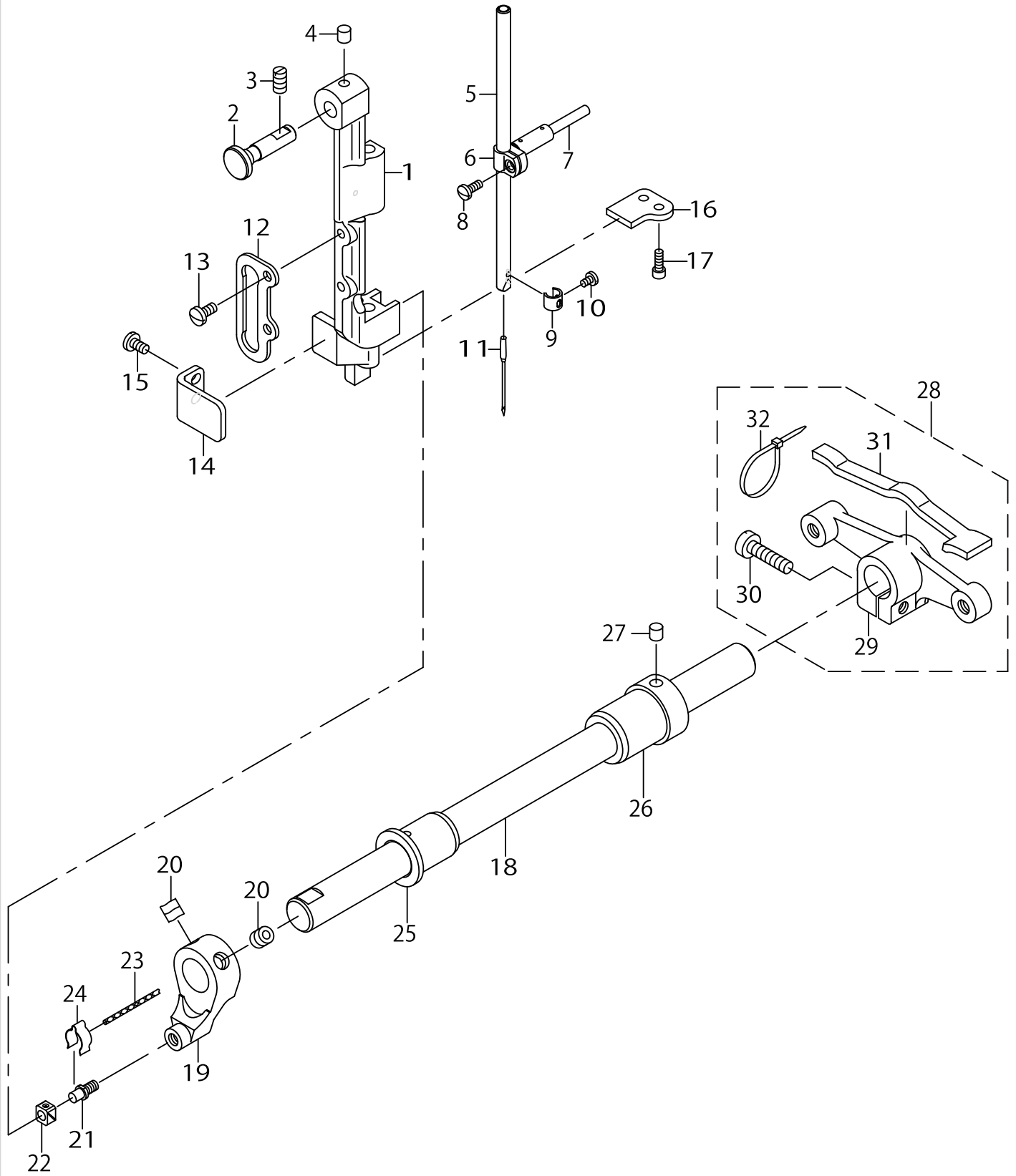
UPPER SHAFT DRIVING & BALANCE COMPONENTS



UPPER SHAFT DRIVING & BALANCE COMPONENTS

No.	C- ons	Le- vel	Parts No.	Replacement	Supply Code	Parts name	Qty	R- ep. Q- TY	Status	Spec	Remarks
1			21332705			UPPER SHAFT	1				
2			21333000			UPPER SHAFT FRONT MET	1				
3			21401906			THREAD TAKE-UP LEVER	1				
4			22605406			TAKE-UP LEVER THRUST	1				
5			CQ202000000			OIL WICK	.03				
6			B1906051000			TAKE-UP LEVER PIN	1				
7			CQ303000000			OIL WICK	.45				
8			SS8150822TP			SCREW 15/64-28 L=8	2				
9			21339106			NEEDLE BAR CRANK ROD	1				
10			B1210051000			NEEDLE BAR CRANK PIN	1				
11			CQ505000000			OIL WICK	.03				
12			21332507			COUNTER WEIGHT (A) (36)	1				
13			SS8150822TP			SCREW 15/64-28 L=8	2				
14			SM8080812TP			SCREW M8X8	2				
15			21339502	21339551		UPPER FEED CAM (3.5)	1	1.00			
16			SS8660810TP			SCREW 1/4-40 L=8	2				
17			21333109			UPPER SHAFT INNER MET	1				
18			CQ202000000			OIL WICK	.15				
19			21336557			ECCENTRIC CAM A ASM.	1				FOR DNU-1541,
20	*	*	21336508	21336557		ECCENTRIC CAM A	1	1.00			
21	*	*	SS8660810TP			SCREW 1/4-40 L=8	2				
22			21353008			HORIZONTAL FEED CAM C	1				FOR DNU-1541,
23			SS7110710SP			SCREW 11/64-40 L=7	2				FOR DNU-1541,
24			22604904			UPPER SPROCKET	1				
25			SS6661110SP			SCREW 1/4-40 L=11	2				
26			22604300			TIMING BELT	1				
27			21402300			UPPER SHAFT BEARING H	1				
28			SM8060602TP			SCREW M6X6	2				
29			B1203512000			BUSHING, REAR	1				
30			21334008			FLYWHEEL	1				
31			SS8150822TP			SCREW 15/64-28 L=8	2				
32			21333406			BALANCER	1				
33			SS8151550SP			SCREW 15/64-28 L=15	2				
34			SS8150710TP			SCREW 15/64-28 L=7	1				
35			TA0750704R0			RUBBER PLUG	1				
36			40019905			TRIANGULAR CAM A	1				FOR DNU-1541H
37			SS8660810TP			SCREW 1/4-40 L=8	2				FOR DNU-1541H

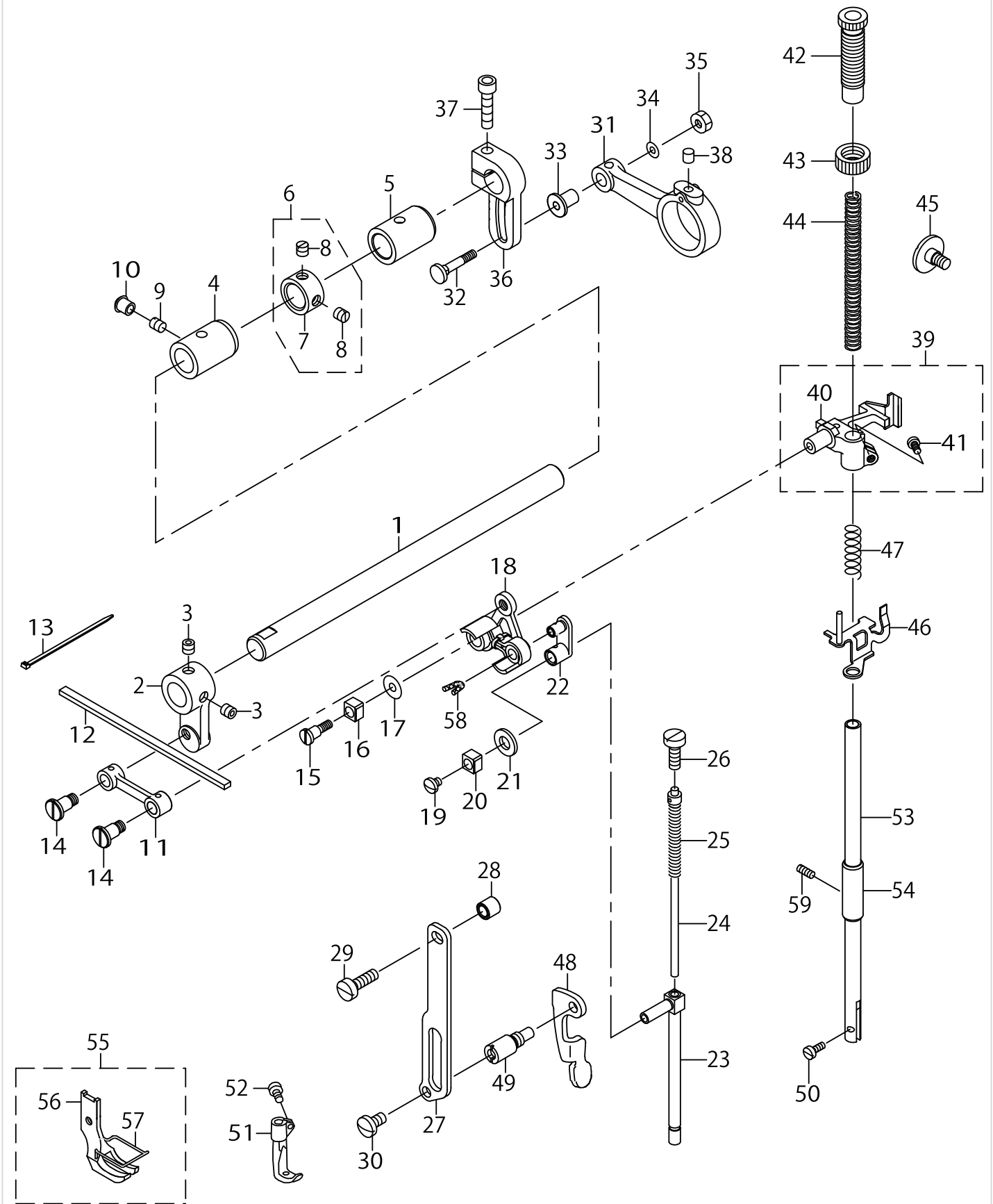
NEEDLE BAR ROCKING COMPONENTS



NEEDLE BAR ROCKING COMPONENTS

No.	C- ons	Le- vel	Parts No.	Replacement	Supply Code	Parts name	Qty	R- ep- Q- TY	Status	Spec	Remarks
1			B1420563000			NEEDLE BAR FRAME	1				
2			21405204			HINGE STUD	1				
3			SS8151150TP			SCREW 15/64-28 L=10.5	1				
4			22814909			FELT	1				
5			B1401053000			NEEDLE BAR	1				
6			B1411053000			NEEDLE BAR CONNECTIO	1				
7			B1412051000			FELT	1				
8			SS7090910SP	SS7090910TP		SCREW 9/64-40 L= 8.5	1	1.00			
9			10308609			THREAD GUARD	1				
10			SS7080510TP			SCREW 1/8-44 L=4.5	1				
11			M1351731600			NEEDLE 135X17 #160	1				
12			B1467563000			UPPER FEED BAR GUIDE	1				
13			SS7110910TP			SCREW 11/64-40 L= 8.5	2				
14			21388400			ROCKING BASE GUIDE	1				
15			SS7110830SP			SCREW 11/64-40 L= 7.5	2				
16			21338603			ROCKING BASE GUIDE (B)	1				
17			SS6091022TP			SCREW	2				
18			21338900			ROCKING SHAFT	1				
19			21338801			ROCKING FRONT ARM	1				
20			SM8080802TP			SCREW	2				
21			B1410771000			STUD	1				
22			B1414232000			SQUARE BLOCK	1				
23			CQ202000000			OIL WICK	.05				
24			B1437051000			OIL WICK RETAINER	1				
25			21339304			ROCKING SHAFT FRONT A	1				
26			40027746			BUSHING REAR	1				
27			22814909			FELT	1				
28			21339056			ROCKING REAR ARM ASM.	1				
29		*	21339007			ROCKING REAR ARM	1				
30		*	SS6152440SP			SCREW 15/64-28 L=23.5	1				
31		*	21347406			ROCKING REAR ARM FELT	1				
32		*	EA9500B0100			CABLE BAND	2				

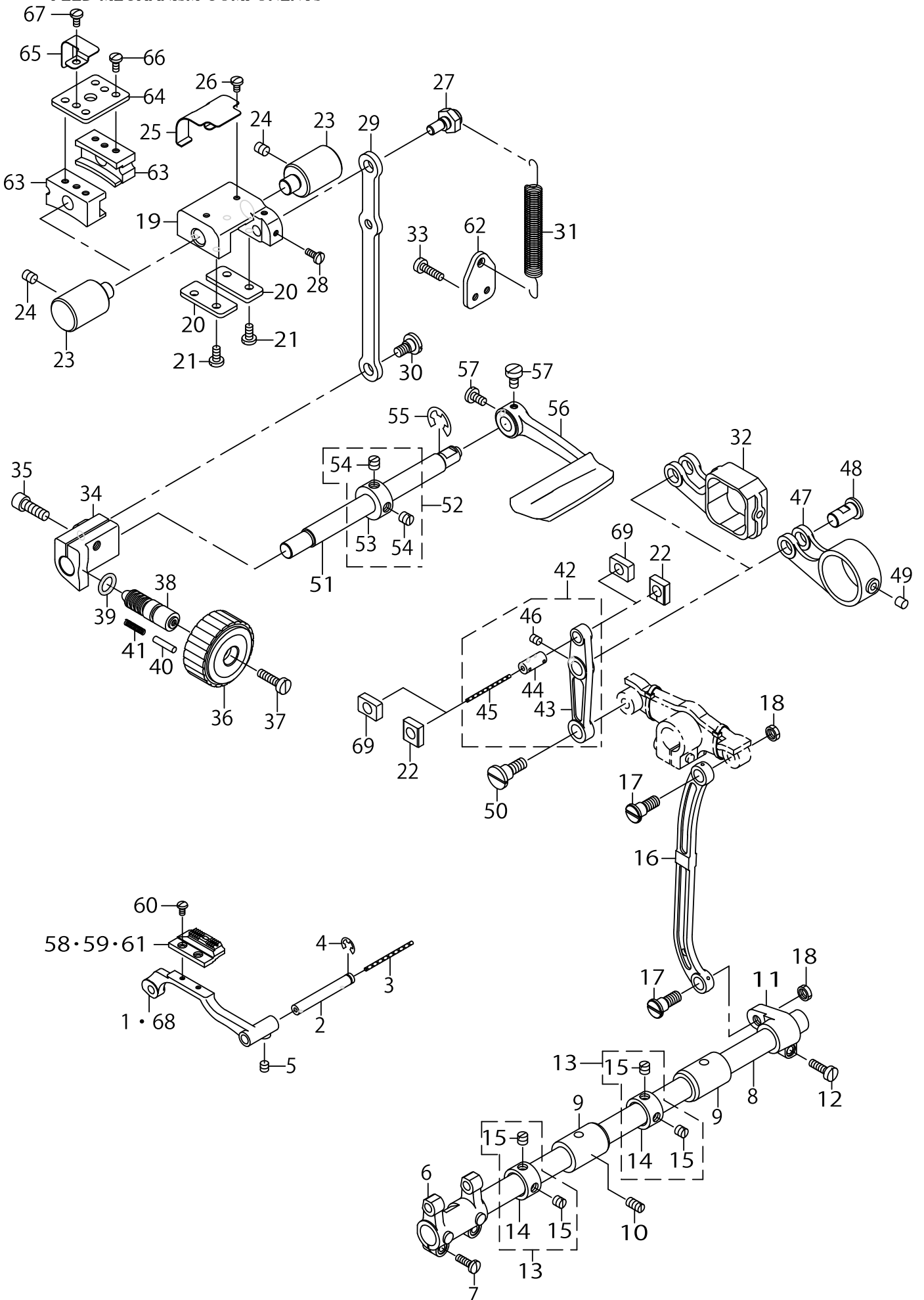
PRESSURE ADJUSTING & UPPER FEED MECHANISM COMPONENTS



PRESSURE ADJUSTING & UPPER FEED MECHANISM COMPONENTS

No.	C- ons	Le- vel	Parts No.	Replacement	Supply Code	Parts name	Qty	R- ep- Q- TY	Status	Spec	Remarks
1			21340401			UPPER FEED SHAFT	1				
2			21340500			UPPER FEED FRONT ARM	1				
3			SS8660612TP			SCREW 1/4-40 L=6	2				
4			21341904			FRONT METAL	1				
5			21378302			FEED SHAFT METAL	1				
6			22904155			MAIN SHAFT THRUST COL	1				
7		*	22904106	22904155		MAIN SHAFT THRUST COL	1	1.00			
8		*	SS8660610TP			SCREW 1/4-40 L=6	2				
9			SS8150710TP			SCREW 15/64-28 L=7	1				
10			TA0750704R0			RUBBER PLUG	1				
11			40033026			UPPER FEED LINK	1				
12			21347109			FELT	1				
13			EA9500B0000			CLIP CV-70S	2				
14			40018340			SCREW	2				
15			40018339			SCREW	1				
16			B1414555000			SLIDE BLOCK	1				
17			WP0501046SC			WASHER 5 X 14 X 1	1				
18			40033029			TRIANGULAR LEVER ASM.	1				
19			SS7110510SP			SCREW 11/64-40 L=5	1				
20			B1414555000			SLIDE BLOCK	1				
21			10509701			FELT	1				
22			40018341			WALKING BAR DRIVING LI	1				
23			40033030			WALKING BAR A	1				
24			B14670530A0			WALKING BAR ASM.	1				
25			B1468053000			WALKING BAR SPRING	1				
26			SS6151780SP			SCREW 15/64-28 L=17.0	1				
27			21406509			UPPER FEED GUIDE PLATE	1				
28			26225201			ROLLER	1				
29			SS6151920SP			SCREW 15/64-28 L=19.0	1				
30			SS7150740SP			SCREW 15/64-28 L=7	1				
31			21340104			UPPER FEED ROD	1				
32			D1456055B00			HINGE SCREW	1				
33			D1455055B00			CONNECTING STUD	1				
34			WP0482086SD			WASHER 4.8X11.5X2	1				
35			NS6110530SP			NUT 11/64-40	1				
36			21437900			UPPER FEED REAR ARM	1				
37			SM6062502TP			SCREW M6 L=25	1				
38			22814909			FELT	1				
39			40033032			PRESSER BAR HOLDER A /	1				
40		*	40033031			PRESSER BAR HOLDER A	1				
41		*	SS7110910TP			SCREW 11/64-40 L= 8.5	1				
42			21340906			PRESSER ADJUSTING SCRE	1				
43			22907604	22907554		PRESSER SPRING REGULA	1	1.00			
44			B1502246000			PRESSER SPRING	1				
45			SD0800481SP			HINGE SCREW D= 8 H= 4	1				
46			21341151			THREAD RELEASE HOLDIN	1				
47			B1462053000			THREAD RELEASE SPRING	1				
48			21406103			PRESSER LIFTER LEVER	1				
49			21406608			GUIDE PLATE SPACER	1				
50			SS6090910TP			SCREW 9/64-40 L=9	1				
51			B1470241H00	B1470241HA0		WALKING FOOT	1	1.00			
52			B1471241H00			SCREW	1				
53			B1501241H00			PRESSER BAR	1				
54			B1510155000			PRESSER BAR LOWER BUS	1				
55			B1525241HA0			PRESSER FOOT ASM.	1				
56		*	B1525241H00	B1525241HA0		PRESSER FOOT	1	1.00			
57		*	10337905			FINGER GUARD	1				
58			CQ252000000			OIL WICK	.02				
59			SS8111010TP			SCREW 11/64-40 L=9.5	1				

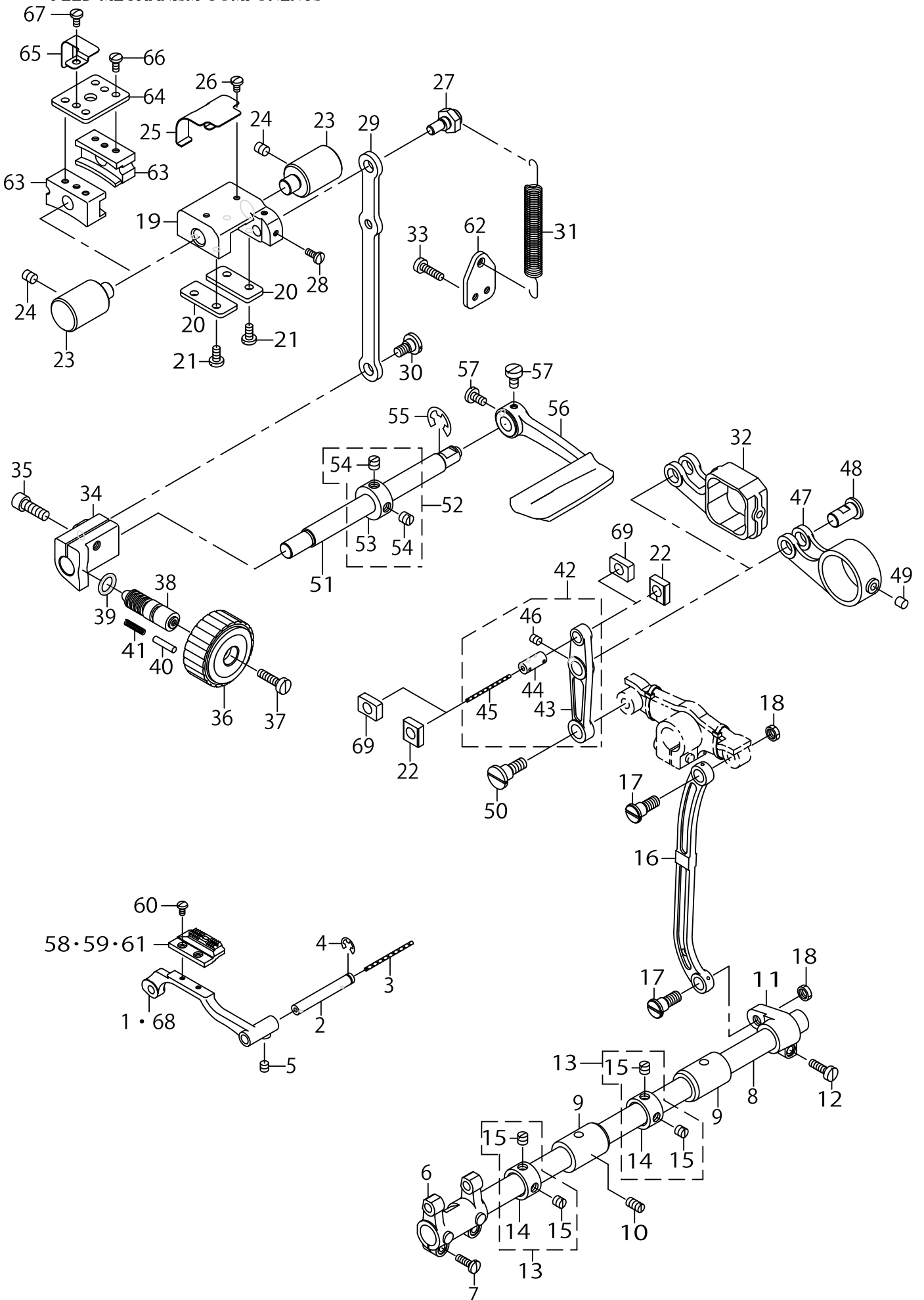
FEED MECHANISM COMPONENTS



FEED MECHANISM COMPONENTS

No.	C- ons	Le- vel	Parts No.	Replacement	Supply Code	Parts name	Qty	R- ep. Q- TY	Status	Spec	Remarks
1			21405006			FEED BASE	1				FOR DNU-1541,
2			B1604012000A			FEED BAR SHAFT	1				
3			CQ202000000			OIL WICK	.14				
4			RE0500711KP			SNAP RING 5	1				
5			SM8050512TP			SCREW	1				
6			B1603512000	21364104		FEED ROCKER	1	1.00			
7			SS7111410TP			SCREW 11/64-40 L=14	2				
8			22609408			FEED ROCK SHAFT	1				
9			21378302			FEED SHAFT METAL	2				
10			SS8151150TP			SCREW 15/64-28 L=10.5	1				
11			22609309			FEED ROCKER SHAFT CR/	1				
12			SS6121610TP			SCREW 3/16-28 L=15.5	1				
13			22904155			MAIN SHAFT THRUST COL	2				
14		*	22904106	22904155		MAIN SHAFT THRUST COL	1	1.00			
15		*	SS8660610TP			SCREW 1/4-40 L=6	2				
16			10205201			NEEDLE BAR FRAME ROD	1				
17			SD0900701TP			HINGE SCREW D= 9 H= 7	2				
18			NS6680320SP			NUT 9/32-28	2				
19			21337506			FEED ADJUSTING BASE	1				FOR DNU-1541,
20			21337704			FEED ADJUSTING BASE CC	2				FOR DNU-1541,
21			SS7110910TP			SCREW 11/64-40 L= 8.5	4				FOR DNU-1541,
22			21337407			SQUARE BLOCK	2				FOR DNU-1541,
23			21337803			FEED ADJUSTING BASE SU	2				
24			SS8150822TP			SCREW 15/64-28 L=8	2				
25			21338306			FELT SUPPORT	1				FOR DNU-1541,
26			SS7090610SP			SCREW 9/64-40 L=6	2				FOR DNU-1541,
27			21337902			ECCENTRIC PIN	1				
28			SS7090910TP			SCREW 9/64-40 L= 8.5	2				
29			21337308			FEED ADJUSTING ROD	1				
30			SD0800402TP			HINGE SCREW D= 8 H= 4	1				
31			21337605			SPRING	1				
32			40011400			FEED ROD (C)	1				FOR DNU-1541
33			SS6111610SP			SCREW 11/64-40 L=16	2				
34			21337209			FEED ADJUSTING A	1				
35			SM6061802TP			SCREW M6 L=18	1				
36			21336805			FEED DIAL A	1				
37			SS6121860SP			SCREW 3/16-28 L=18	1				
38			11009909	22911804		FEED REGULATOR SCREW	1	1.00			
39			RO092270200			RUBBER RING	1				
40			22912000			FEED REGULATOR PIN	1				
41			22912109			FEED REGULATOR PIN SPI	1				
42			21336656			FEED LINK ASM.	1				
43		*	21336607			FEED LINK	1				
44		*	B1418761000	40009103		CONNECTING FORKED LIN	1	1.00			
45		*	CQ202000000			OIL WICK	0.04				
46		*	SM8050612TP			SCREW M5X6	1				
47			21336706			FEED ROD A	1				FOR DNU-1541,
48			21338207	21378906		FEED LINK PIN	1	1.00			
49			21387402			FELT	1				
50			SD1000801SH			HINGE SCREW D=10 H=8	1				
51			21336300			BACKWARD FEED LEVER S	1				
52			CS1201010SH			THRUST COLLAR ASM. D=	1				
53		*	CS1201011SH			THRUST COLLAR D=12 W=	1				
54		*	SS8660610TP			SCREW 1/4-40 L=6	2				
55			RE0900000K0			E-RING 9	1				
56			21388004			REVERSE FEED ROCK SHA	1				
57			SS6120930TP			SCREW 3/16-28 L=9	2				
58			40019908			FEED DOG(4X2.5)	1				FOR DNU-1541
59			40019910			FEED DOG(6X2.5)	1				FOR DNU-1541
60			SS4080620TP			SCREW 1/8-44 L=6	2				

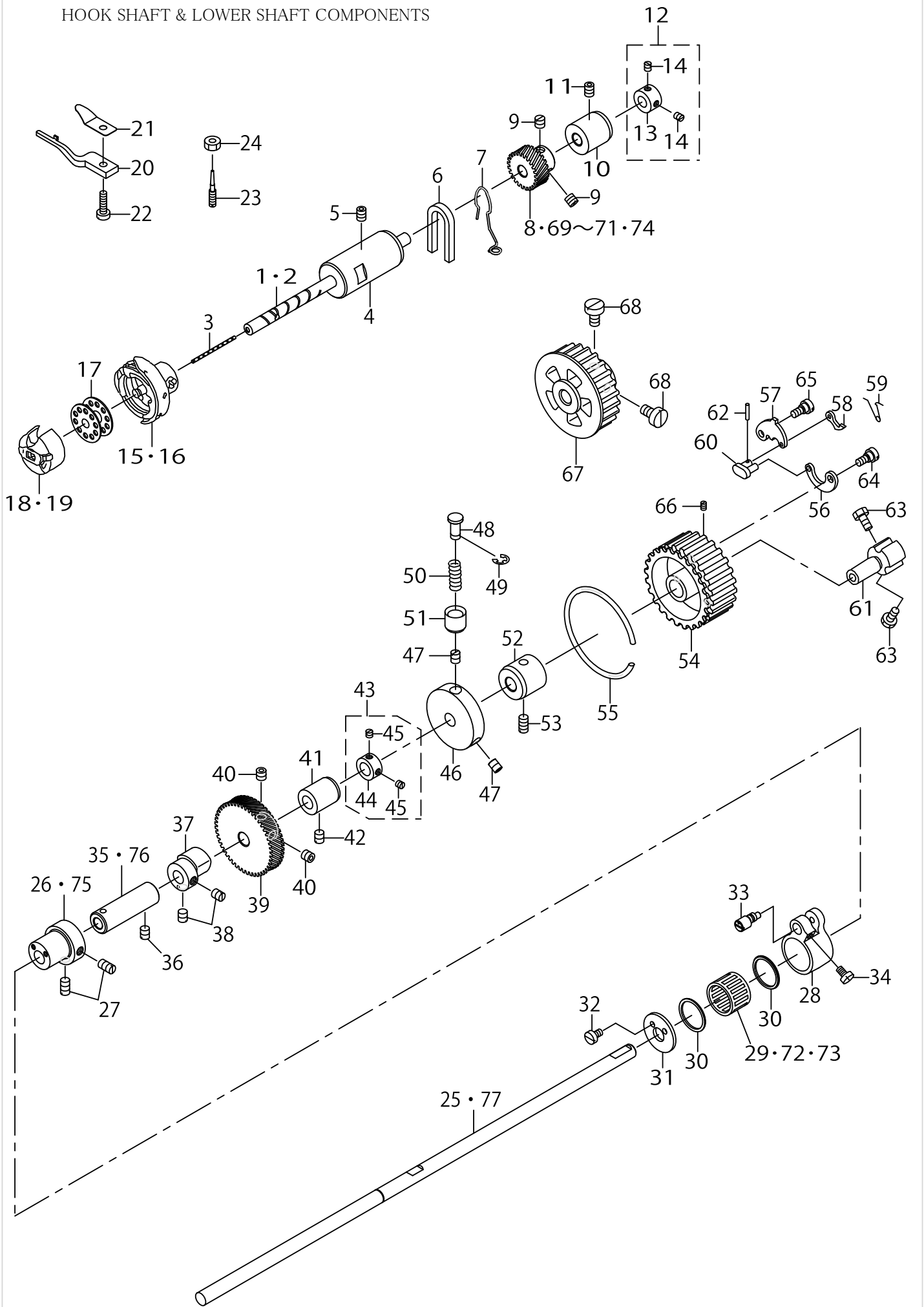
FEED MECHANISM COMPONENTS



FEED MECHANISM COMPONENTS

No.	C- ons	Le- vel	Parts No.	Replacement	Supply Code	Parts name	Qty	R- ep. Q- TY	Status	Spec	Remarks
61			40019911			FEED DOG(2.6X2.2)	1				OPTIONAL PAR
62			40019926			SPRING HOOK	1				
63			40038711	40081969		FEED ADJUSTING BASE B	2	1.00			FOR DNU-1541I
64			21407408			FITTING PLATE	2				FOR DNU-1541I
65			40038712			FELT HOLDER	1				FOR DNU-1541I
66			SS7110910TP			SCREW 11/64-40 L= 8.5	4				FOR DNU-1541I
67			SS7110710SP			SCREW 11/64-40 L=7	1				FOR DNU-1541I
68			40019907			FEED BASE	1				FOR DNU-1541I
69			21407309	40081969		SQUARE BLOCK	2	1.00	選択部品	40038711 送り調	FOR DNU-1541I
69			21407309	40081970		SQUARE BLOCK	2	1.00	選択部品	21407200 送り調	FOR DNU-1541I

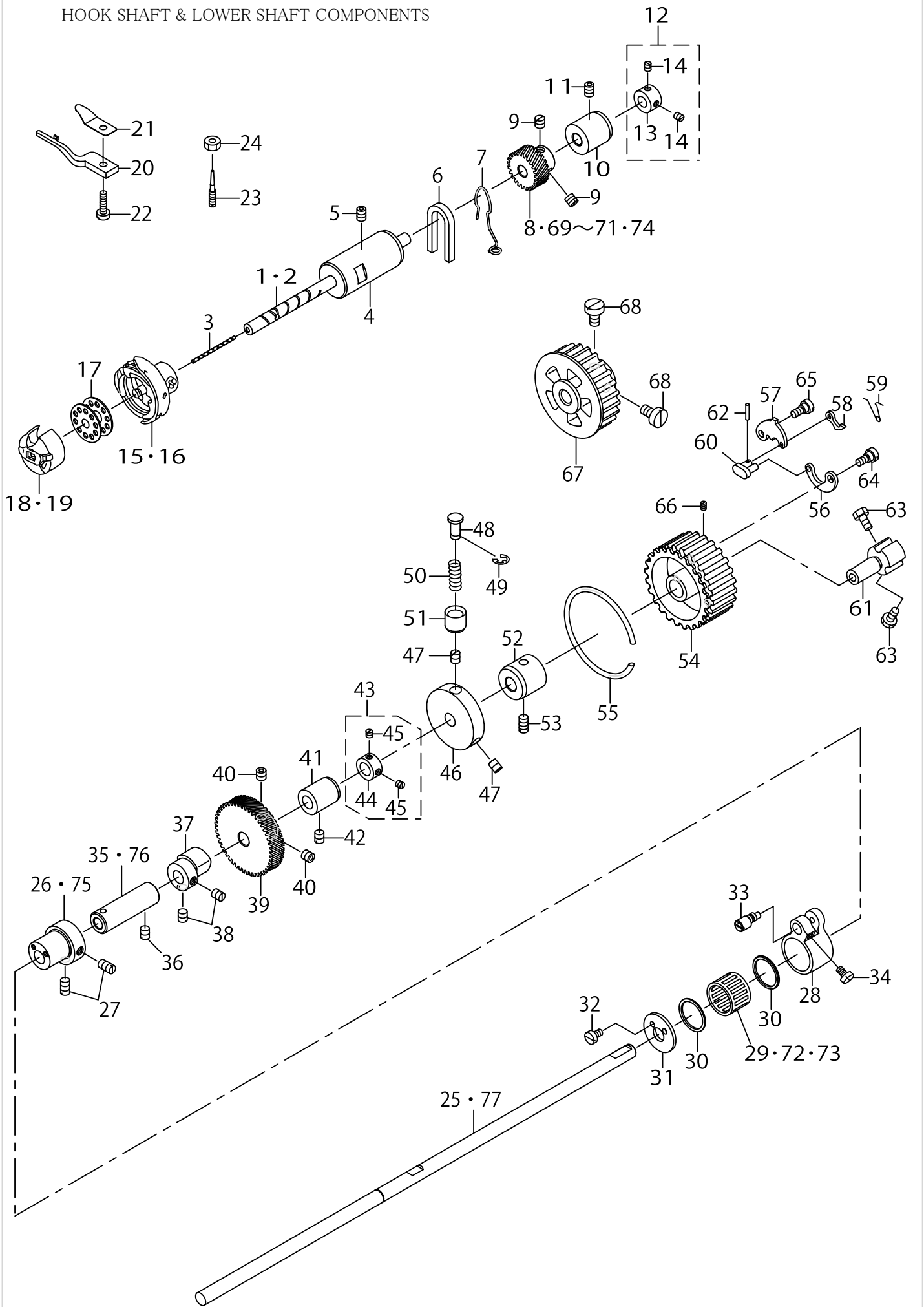
HOOK SHAFT & LOWER SHAFT COMPONENTS



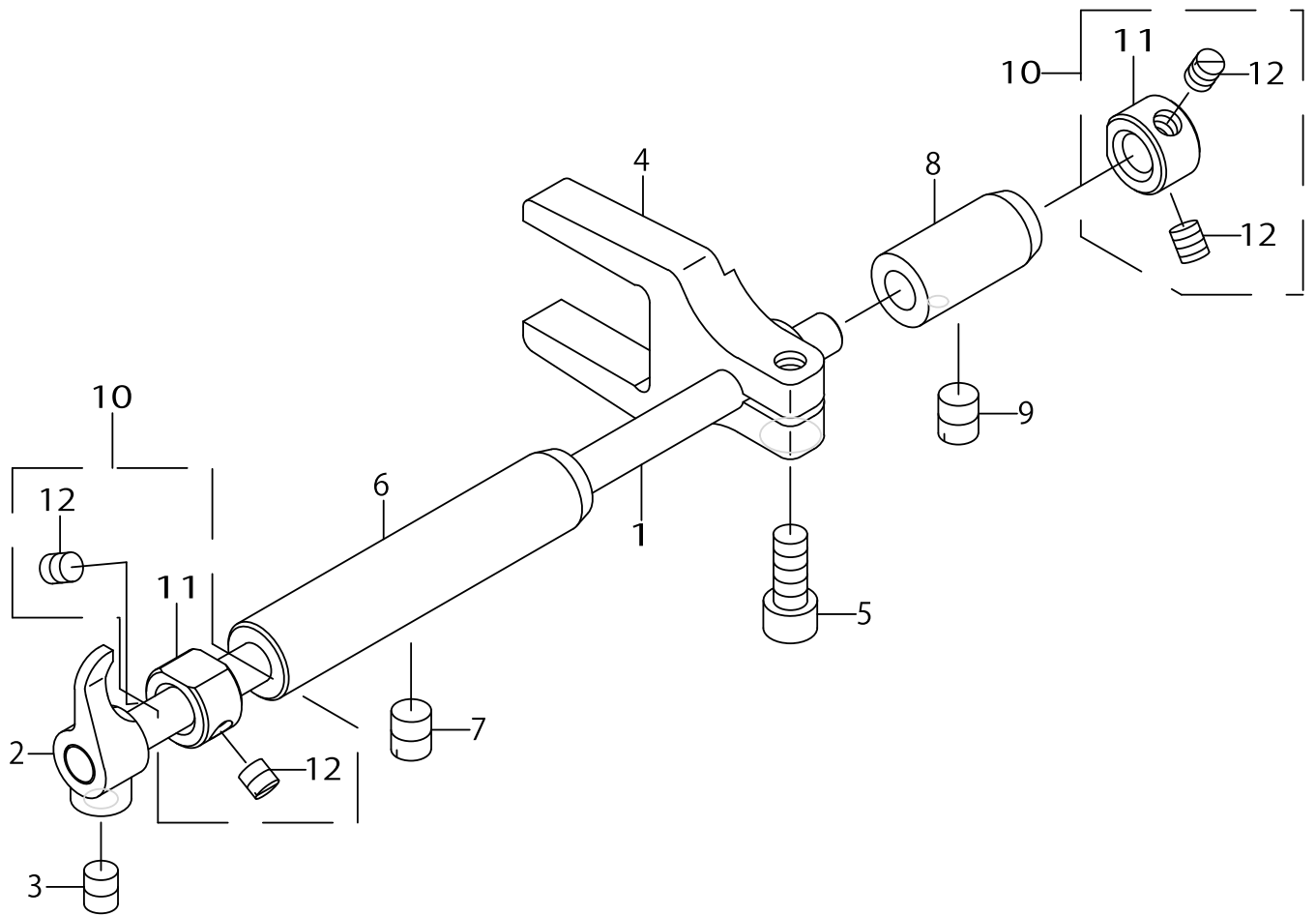
HOOK SHAFT & LOWER SHAFT COMPONENTS

No.	C- ons	Le- vel	Parts No.	Replacement	Supply Code	Parts name	Qty	R- ep- Q- TY	Status	Spec	Remarks
1			21403506			HOOK SHAFT	1				FOR DNU-1541
2			21403605		Disconinue	HOOK SHAFT	1				FOR DNU-1541
3			CQ20000000			OIL WICK	.1				
4			B1802141H00A			DRIVING SHAFT BUSHING,	1				
5			SS8150822TP			SCREW 15/64-28 L=8	1				
6			B1155141H00			OIL PIEP	1				
7			21407804			FELT SUPPORT	1				
8			21404009			HOOK SHAFT GEAR A	1				
9			SS8660610TP			SCREW 1/4-40 L=6	2				
10			B1803141H00			BUSHING, INTERMEDIATE	1				
11			SS8150822TP			SCREW 15/64-28 L=8	1				
12			CS0791010SH	CS079101ASH		THRUST COLLAR ASM. D=	1	1.00			
13		*	CS0791016SH			THRUST HOLDER D=7.94 V	1				
14		*	SS8110422TP			SCREW 11/64-40 L=4	2				
15			B1830241HA0			HOOK ASM.	1				FOR DNU-1541
16			B1830241SA0			HOOK ASM.	1				FOR DNU-1541
17			B9117201000			BOBBIN	1				
18			B1837241H00			BOBBIN CASE	1				FOR DNU-1541
19			B1837241S00			BOBBIN CASE	1				FOR DNU-1541
20			11038809	22942502		BOBBIN CASE HOLDER	1	1.00			
21			B1829241H00			THREAD PRESSER PLATE	1				
22			SS6111620SP			SCREW 11/64-40 L=16.0	1				
23			B1834512000A			OIL ADJUSTING SCREW	1				
24			NS6110530SP			NUT 11/64-40	1				
25			21402409			LOWER SHAFT	1				
26			21405105			FEED DRIVING CAM	1				
27			SS8151150TP			SCREW 15/64-28 L=10.5	2				
28			23618200			FEED DRIVING BASE ARM	1				
29			SB32000060A			BEARING	1				SELECTIVE PAF
30			23618101			FEED DRIVING CAM THRU	2				
31			21405303			FEED DRIVING CAM PLATI	1				
32			SS6090620TP			SCREW	2				
33			23618408			FEED DRIVING BASE SHAF	1				
34			SS7110740TP			SCREW 11/64-40 L=7	1				
35			21402508			LOWER SHAFT FRONT ME	1				
36			SS8150710TP			SCREW 15/64-28 L=7	1				
37			21404405			OPENER CAM	1				FOR DNU-1541
38			SS8150710TP			SCREW 15/64-28 L=7	2				FOR DNU-1541
39			21402706			LOWER SHAFT GEAR	1				
40			SS8660612TP			SCREW 1/4-40 L=6	2				
41			21402607			LOWER SHAFT INNER MET	1				
42			SS8150710TP			SCREW 15/64-28 L=7	1				
43			CS0950810SH			THRUST COLLAR ASM. D=	1				
44		*	CS0950816SH	CS0950810SH		THRUST COLLAR D=9.5 W=	1	1.00			
45		*	SS8110410TP			SCREW 11/64-40 L= 3.5	2				
46			21403001			SAFETY CLUTCH DISC	1				FOR DNU-1541
47			SS8150710TP			SCREW 15/64-28 L=7	2				FOR DNU-1541
48			B1312563000A			SAFETY CLUTCH PUSH BU	1				FOR DNU-1541
49			RE0500000K0			E-RING	1				FOR DNU-1541
50			B1639051000			SPRING	1				FOR DNU-1541
51			B1313055000			SAFETY CLUTCH KNOB SI	1				FOR DNU-1541
52			21402805			LOWER SHAFT BACK MET	1				
53			SS8150710TP			SCREW 15/64-28 L=7	1				
54			21333505			LOWER SPROCKET	1				FOR DNU-1541
55			B1214019000			SPROCKET RING	1				FOR DNU-1541
56			B1305055000A			SAFETY CLUTCH SPRING	1				FOR DNU-1541
57			B1307055000	21387600		SAFETY CLUTCH HOOK	1	1.00			FOR DNU-1541
58			B1308055000			SAFETY CLUTCH COUNT	1				FOR DNU-1541
59			B1309055000	40113224		COUNTER-HOOK SPRING	1	1.00			FOR DNU-1541
60			B1310055000			SAFETY CLUTCH SMALL L	1				FOR DNU-1541

HOOK SHAFT & LOWER SHAFT COMPONENTS



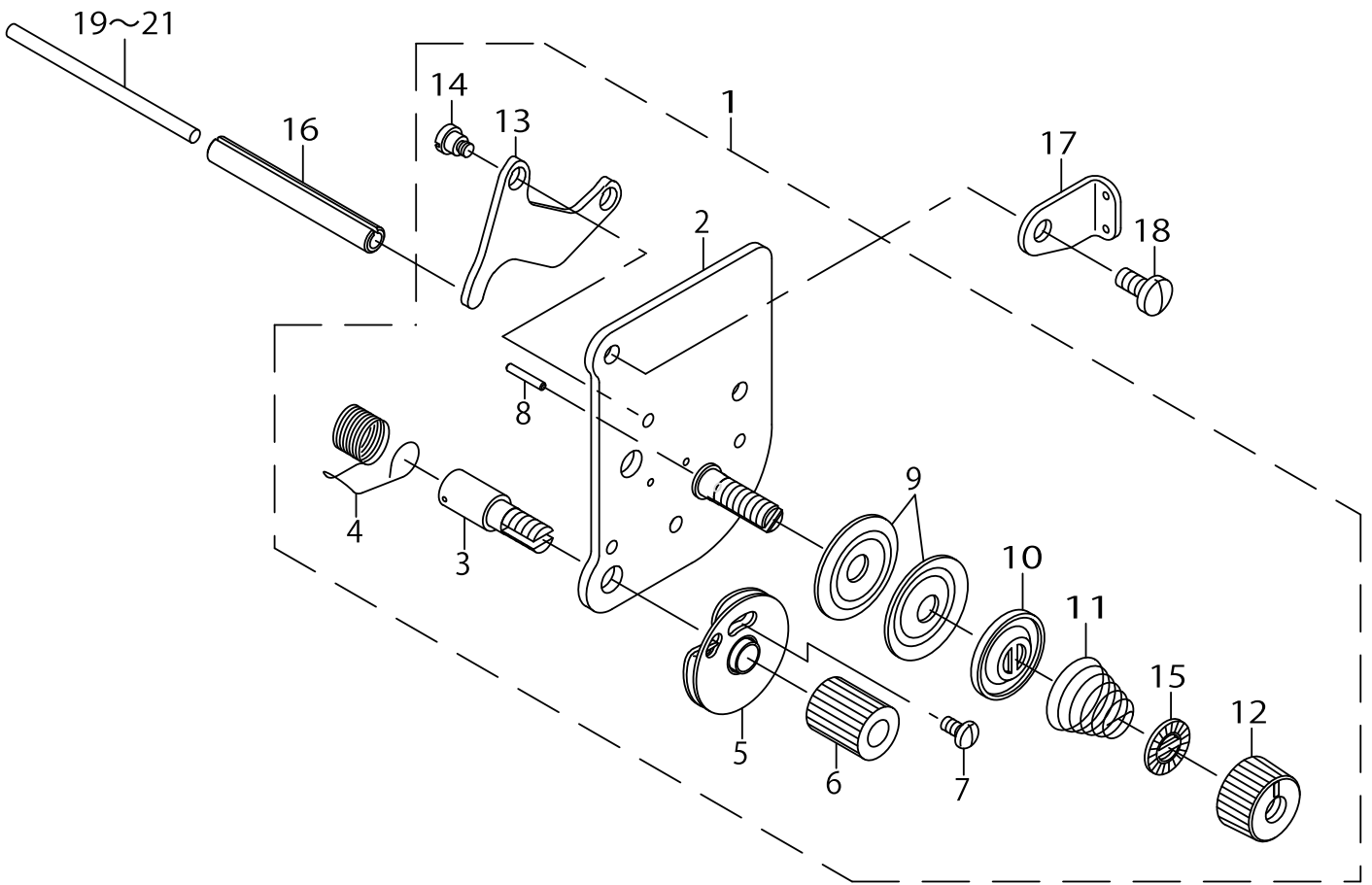
OPENER COMPONENTS (FOR DNU-1541S)



OPENER COMPONENTS (FOR DNU-1541S)

No.	C- ons	Le- vel	Parts No.	Replacement	Supply Code	Parts name	Qty	R- ep. Q- TY	Status	Spec	Remarks
1			21404504			OPENER SHAFT	1				
2			B1805241H00			OPENER	1				
3			SM8050602TP			SCREW M5 L=6	1				
4			B1806241H00			OPENER ARM	1				
5			SM6051202TP			SCREW M5X0.8 L=12	1				
6			21404603			BUSHING, FRONT	1				
7			SS8150710TP			SCREW 15/64-28 L=7	1				
8			B1810241H00			OPENER SHAFT REAR MET	1				
9			SS8150710TP			SCREW 15/64-28 L=7	1				
10			CS0640860SH			THRUST COLLAR ASM. D=	2				
11		*	CS0640863SH			THRUST COLLAR D=6.35 V	2				
12		*	SS8110510SP	SS8110520TP		SCREW 11/64-40 L=5	4	1.00			

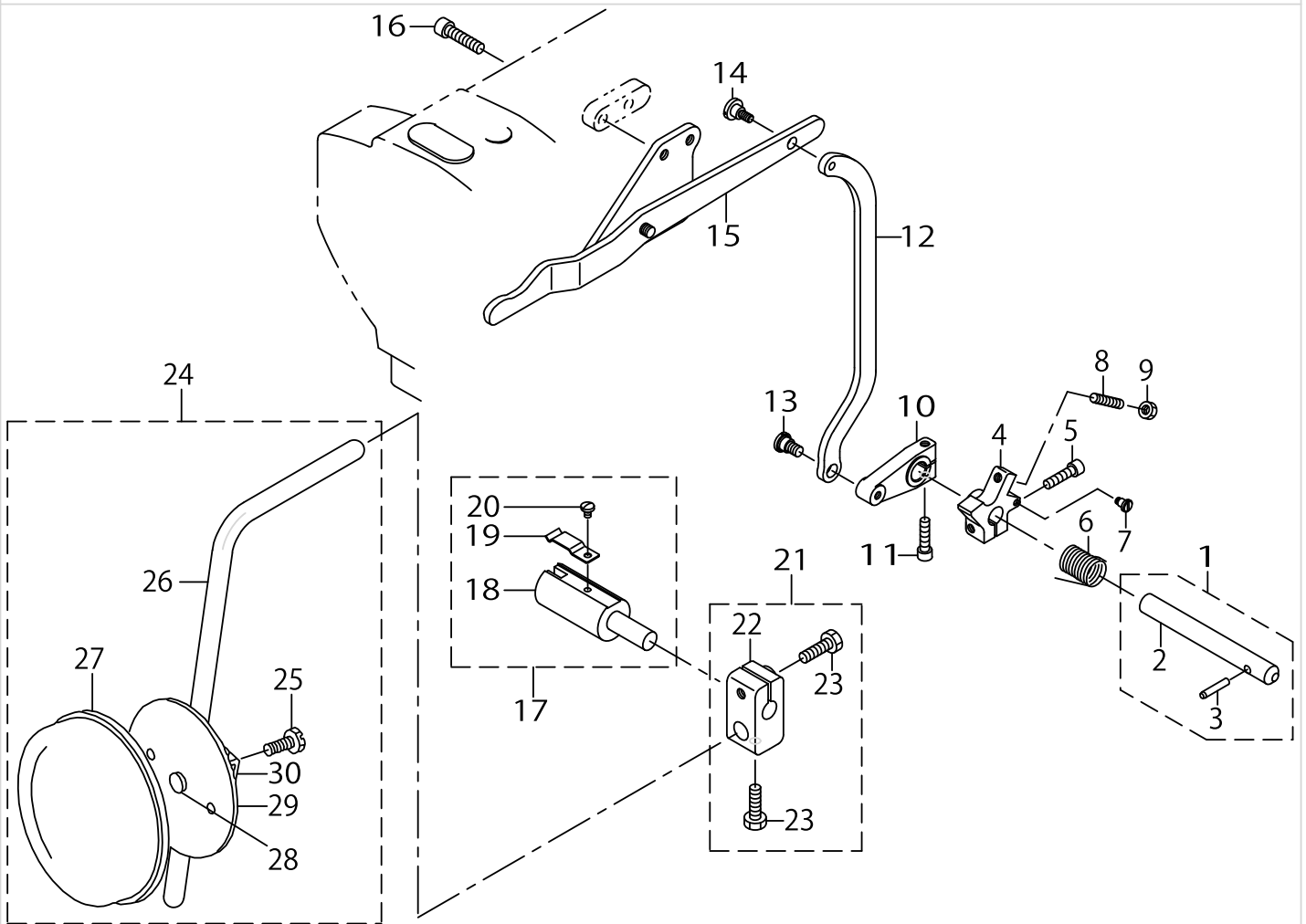
THREAD TENSION COMPONENTS



THREAD TENSION COMPONENTS

No.	C- ons	Le- vel	Parts No.	Replacement	Supply Code	Parts name	Qty	R- ep. Q- TY	Status	Spec	Remarks
1			40103059			THREAD TENSION ASM.	1				
2		*	40103060			THREAD POST BASE COMI	1				
3		*	10320109			SCREW STUD	1				
4		*	B3128051000			THREAD TAKE-UP SPRING	1				
5		*	B31370510A0			TAKE-UP SPRING GUIDE D	1				
6		*	10320208			THRED TENSION STUD NU	1				
7		*	SS4080620TP			SCREW 1/8-44 L=6	1				
8		*	B3127051000			TENSION RELEASE PIN, SH	1				
9		*	13138201			THREAD TENSION DISK	2				
10		*	22617906			THREAD TENSION DISK PF	1				
11		*	B3129053000			TENSION SPRING	1				
12		*	22921308			THREAD TENSION NUT	1				
13		*	B3134521000			TENSION RELEASE LEVER	1				
14		*	SD0470281SP			HINGE SCREW D=4.7 H=2.3	2				
15		*	22921407			ROTATION STOPPER	1				
16			PS0600502KP			SPRING PIN	1				
17			21409909			GUIDE PLATE	1				
18			SS7110910TP			SCREW 11/64-40 L= 8.5	2				
19			21348206			TENSION RELEASE BAR	1				
20			10321107			TENSION RELEASE BAR	1				SELECTIVE PAF
21			23006406			TENSION RELEASE BAR	1				SELECTIVE PAF

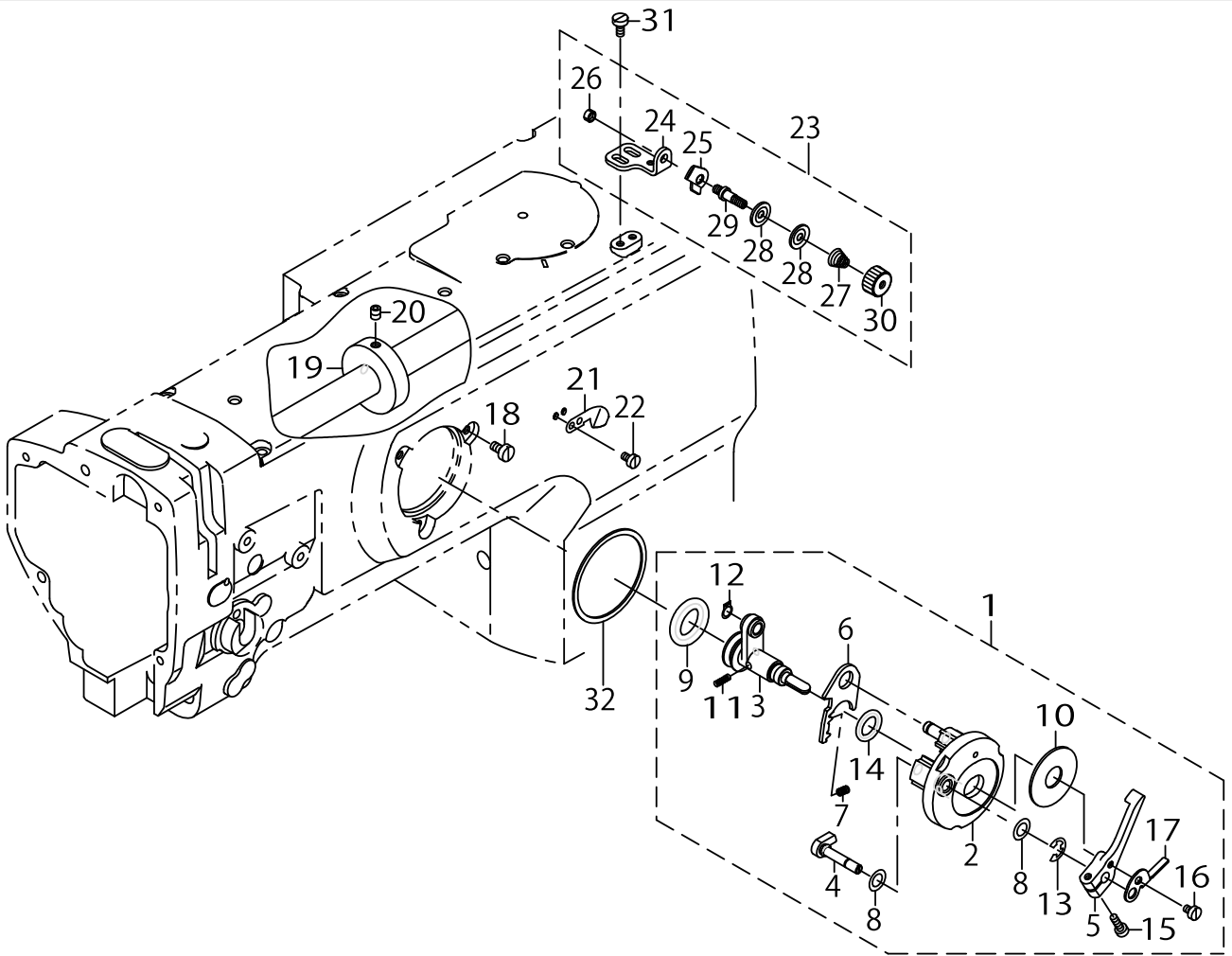
KNEE LIFTING COMPONENTS



KNEE LIFTING COMPONENTS

No.	C- ons	Le- vel	Parts No.	Replacement	Supply Code	Parts name	Qty	R- ep. Q- TY	Status	Spec	Remarks
1			21406053			KNEE LIFTER SHAFT ASM.	1				
2		*	21406004			KNEE LIFTER SHAFT	1				
3		*	21342605	21342555		KNEE LIFTER SHAFT PIN	1	1.00			
4			21405808			KNEE LIFTER SPRING RAC	1				
5			SM6052002TP			SCREW M5 L=20	1				
6			21405907			KNEE LIFTER SHAFT SPRIN	1				
7			SD0450401SP			HINGE SCREW D= 4.5 H= 4	1				
8			SM8052502TP			SCREW M5X0.8 L=25	1				
9			NM6050001SD			NUT M5X0.8	1				
10			21405709			KNEE LIFTER ARM	1				
11			SM6052002TP			SCREW M5 L=20	1				
12			21405600			KNEE LIFTER CONNECTIN	1				
13			SD0790451SP			HINGE SCREW D= 7.94 H=	1				
14			SD0700451TP			HINGE SCREW D=7 H=4.5	1				
15			21343355			KNEE LIFTER LEVER ASM.	1				
16			SM6062502TP			SCREW M6 L=25	2				
17			22863252			KNEE LIFTER JOINT ASM.	1				
18		*	22863203	22863252		KNEE LIFTER JOINT	1	1.00			
19		*	B3428521000			PRESSER SPRING	1				
20		*	SS7090510SP			SCREW 9/64-40 L= 4.6	1				
21			22932453			BRACKET ASM.	1				
22		*	22932404	22932453		BRACKET	1	1.00			
23		*	22934707			SCREW	2				
24			21343157			KNEE PRESS PLATE ASM.	1				
25		*	SM9061203SE			SCREW M6 L=12	1				
26		*	21343108	21343157		KNEE PRESS LEVER	1	1.00			
27		*	22934509			KNEE PAD PLATE COVER	1				
28		*	22934400			KNEE PAD PLATE RUBBER	1				
29		*	22934202			KNEE PAD PLATE	1				
30		*	22934301			KNEE PAD PLATE SUPPOR	1				

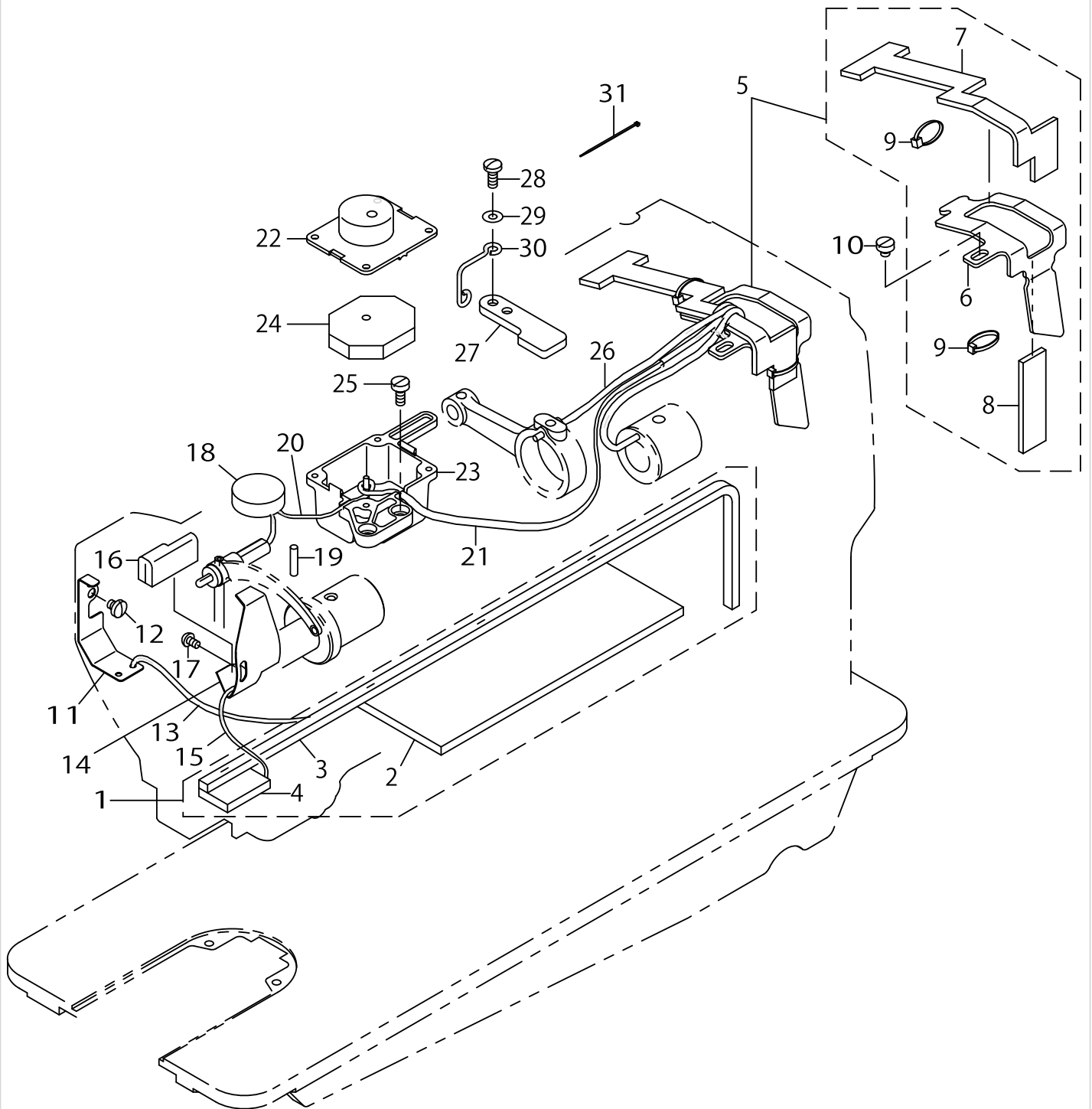
LOWER THREAD WINDER MECHANISM COMPONENTS



LOWER THREAD WINDER MECHANISM COMPONENTS

No.	C- ons	Le- vel	Parts No.	Replacement	Supply Code	Parts name	Qty	R- ep. Q- TY	Status	Spec	Remarks
1			21357967			BOBBIN DEVICE ASM.	1				
2		*	22537658	40034920		BOBBIN FITTING BASIS CC	1	1.00			
3		*	21357959			BOBIN SHAFT COMPL.	1				
4		*	22538151			BOBBIN CAM SHAFT COM	1				
5		*	23636202			BOBBIN LEVER	1				
6		*	21356001			ADJUSTING PLATE	1				
7		*	B152989000CA			PRESSUR FOOT SPRING	1				
8		*	10618304			VERTICAL ROLLER WASHI	2				
9		*	21358205			BOBBIN FRICTION GEAR	1				
10		*	B3205210000			CUSHION	1				
11		*	B1148555000	22912109		SPRING	1	1.00			
12		*	RC0560711KP			RETAINING RING	1				
13		*	RE0500000K0			E-RING	1				
14		*	RO092270200			RUBBER RING	1				
15		*	SS7091410SP			SCREW 9/64-40 L=13.5	1				
16		*	SS6090520SP			SCREW 9/64-40 L= 5.0	1				
17		*	14512503			BOBBIN ADJUSTING PLATI	1				
18			SS6110810TP			SCREW 11/64-40 L=8	3				
19			10704807			BOBBIN FRICTION WHEEL	1				
20			SM8050602TP			SCREW M5 L=6	2				
21			10502300			THREAD CUTTER	1				
22			SS6090620TP			SCREW	2				
23			21355755			LOWER THREAD GUIDE AS	1				
24		*	21355706	21355755		FITTING BASE	1	1.00			
25		*	D3162555B00			THREAD GUIDE	1				
26		*	NS6110310SP			NUT 11/64-40	1				
27		*	22945505			THREAD TENSION SPRING	1				
28		*	40113092			THREAD TENSION DISK	2				
29		*	21378708	21355755		THREAD TENSION POST	1	1.00			
30		*	22945703			THREAD TENSION NUT	1				
31			SM6040800SP			SCREW	2				
32			22538706			PACKING	1				

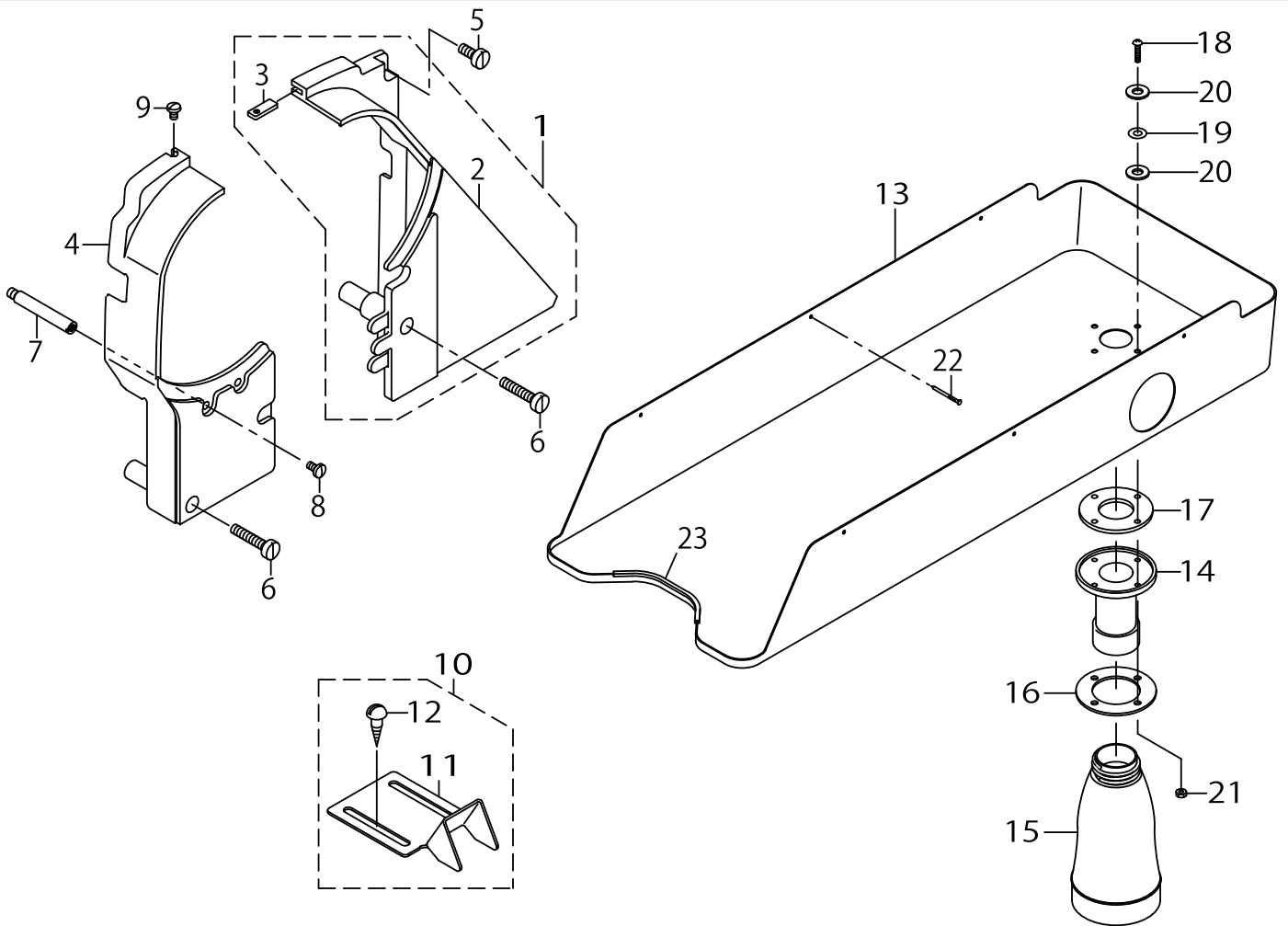
LUBRICATION COMPONENTS



LUBRICATION COMPONENTS

No.	C- ons	Le- vel	Parts No.	Replacement	Supply Code	Parts name	Qty	R- ep- Q- TY	Status	Spec	Remarks
1			21345756			ARM ONCE THROUGH OIL	1				
2			21345707			ARM ONCE THROUGH FEL	1				
3			21345806			FELT B	1				
4			21345905			FACE ONCE THROUGH FE	1				
5			21346358			FELT SUPPORT ASM.	1				
6		*	21346309			FELT	1				
7		*	21346507			FEED CHANGE FELT	1				
8		*	21346408			FELT	1				
9		*	EA9500B0000			CLIP CV-70S	2				
10			SS6110480SP			SCREW 11/64-40 L=4.3	1				
11			21340708			UPPER FEED OIL BAR PLA	1				
12			SS7110510SP			SCREW 11/64-40 L=5	1				
13			CQ202000000			OIL WICK	.2				
14			21347000			TAKE-UP OIL PLATE	1				
15			CQ202000000			OIL WICK	.25				
16			21347208			TAKE-UP LUBRICATION F	1				
17			SS3090610SP			SCREW 9/64-40 L=6	1				
18			21346002			FELT	1				
19			B1412051000			FELT	1				
20			CQ252000000			OIL WICK	.3				
21			BT0500300EA			OIL TUBE	.25				
22			21407507			OIL TANK A	1				
23			21407606			OIL TANK B	1				
24			21407705			FELT	2				
25			SS6111010SP	SS6111010TP		SCREW 11/64-40 L= 9.5	2	1.00			
26			CQ202000000			OIL WICK	.2				
27			21339700			UPPER FEED STOPPER PL	1				
28			SS7111120TP			SCREW	2				
29			WP0450801SD			WASHER 4.5X10X0.8	1				
30			22620504			OIL WICK HOLDER	1				
31			EA9500B0000			CABLE BAND	1				

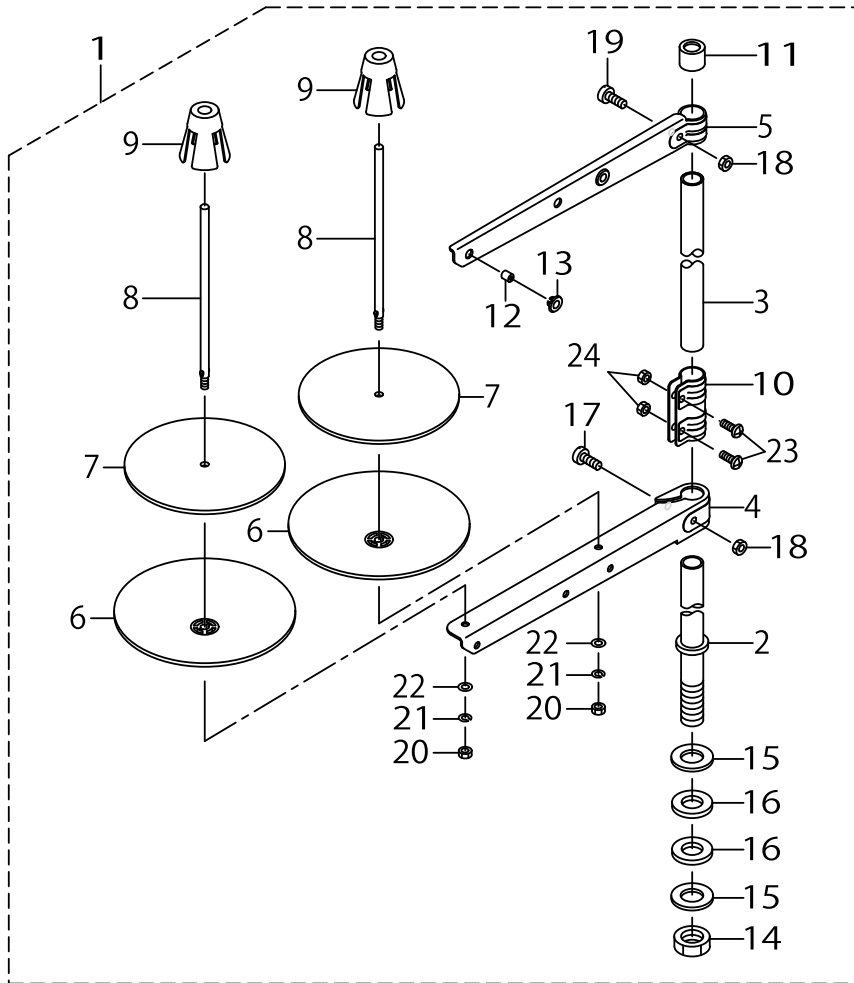
BELT COVER & OIL RESERVOIR COMPONENTS



BELT COVER & OIL RESERVOIR COMPONENTS

No.	C- ons	Le- vel	Parts No.	Replacement	Supply Code	Parts name	Qty	R- ep. Q- TY	Status	Spec	Remarks
1			21351150			BELT COVER ASM. (RIGHT	1				
2		*	21351101	21351150		BELT COVER (RIGHT)	1	1.00			
3		*	21351002			BELT COVER AUXILIARY F	1				
4			21351200			BELT COVER (LEFT)	1				
5			SS6151440SP			SCREW 15/64-28 L=14	1				
6			SS6153040SP			SCREW 15/64-28 L=30	2				
7			D8232241E00			BELT COVER SUPPORT A	1				
8			SS7110840SP			SCREW 11/64-40 L=7.8	1				
9			SS5110740TP			SCREW 11/64-40 L= 6.5	1				
10			10755254			BELT COVER C ASM. (FOR	1				
11		*	10755205			BELT COVER C(JE)	1				
12		*	SK3482500SC	SK3482501SE		WOOD SCREW D=4.8 L=25	2	1.00			
13			21413000			OIL RESERVOIR	1				
14			B8202205000			OIL MANAGEMENT	1				
15			B9121012000			OIL CAN	1				
16			21379003			OIL MANAGEMENT WASHE	1				
17			B8112220000			OIL SEAL	1				
18			SM3031401SE			SCREW M3X0.5 L=14	4				
19			WP0320501SC			WASHER M3	4				
20			10748101			OIL REMOVING SETSCREW	8				
21			NM6030001SC			NUT M3	4				
22			10539906			SET NAIL	6				
23			MAV02130000		Disconinue	EDGING	1				

THREAD STAND COMPONENTS



THREAD STAND COMPONENTS

No.	C- ons	Le- vel	Parts No.	Replacement	Supply Code	Parts name	Qty	R- ep. Q- TY	Status	Spec	Remarks
1			40096354			THREAD STAND ASM.	1				
2		*	40085784			SPOOL REST ROD LOWER	1				
3		*	40085785			SPOOL REST ROD UPPER	1				
4		*	40085786			SPOOL REST ARM LOWER	1				
5		*	40085787			SPOOL REST ARM UPPER	1				
6		*	40085788			SPOOL REST	2				
7		*	40085789			SPOOL REST CUSHION	2				
8		*	40085790			SPOOL PIN	2				
9		*	40085791			SPOOL RETAINER	2				
10		*	40085792			SPOOL REST ROD JOINT	1				
11		*	40085793			SPOOL REST ROD RUBBER	1				
12		*	40085794			THREAD GUIDE	2				
13		*	40085795			THREAD GUIDE BUSHING	2				
14		*	40096325			SPOOL REST ROD NUT	1				
15		*	WP1612616SE			WASHER 16X30X2.6	2				
16		*	40085796			SPOOL REST ROD RUBBER	2				
17		*	40096326			SPOOL REST ARM LOWER	1				
18		*	NM6050001SE			NUT M5	2				
19		*	40096327	SM4053001SE		SPOOL REST ARM UPPER S	1	1.00			
20		*	NM6050001SE			NUT M5	2				
21		*	WS0510002KN			SPRING WASHER M5	2				
22		*	WP0531001SC			WASHER M5	2				
23		*	SM4051405SE			SCREW M5 L=14	2				
24		*	NM6050001SE			NUT M5	2				

NUMERICAL INDEX OF PARTS

PART NO	PAGE	REF NO.	PART NO	PAGE	REF NO.	PART NO	PAGE	REF NO.
10201200	2	48	21337506	10	19	21353008	4	22
10205201	10	16	21337605	10	31	21355706	24	24
10308609	6	9	21337704	10	20	21355755	24	23
10320109	20	3	21337803	10	23	21355904	2	6
10320208	20	6	21337902	10	27	21356001	24	6
10321107	20	20	21338207	10	48	21357959	24	3
10337905	8	57	21338306	10	25	21357967	24	1
10502300	24	21	21338603	6	16	21358205	24	9
10503605	16	61	21338801	6	19	21378302	8	5
10509701	8	21	21338900	6	18	21378302	10	9
10539906	28	22	21339007	6	29	21378708	24	29
10618304	24	8	21339056	6	28	21379003	28	16
10704807	24	19	21339106	4	9	21387402	10	49
10748101	28	20	21339304	6	25	21388004	10	56
10755205	28	11	21339502	4	15	21388400	6	14
10755254	28	10	21339700	26	27	21401302	2	42
11009909	10	38	21340104	8	31	21401401	2	43
11038809	14	20	21340401	8	1	21401500	2	44
13138201	20	9	21340500	8	2	21401906	4	3
14512503	24	17	21340708	26	11	21402300	4	27
17912106	2	28	21340906	8	42	21402409	14	25
21331202	2	10	21341151	8	46	21402508	14	35
21331301	2	4	21341904	8	4	21402607	14	41
21331608	2	20	21342605	22	3	21402706	14	39
21331756	2	9	21343108	22	26	21402805	14	52
21331806	2	11	21343157	22	24	21403001	14	46
21332002	2	12	21343355	22	15	21403506	14	1
21332309	2	18	21345707	26	2	21403605	14	2
21332507	4	12	21345756	26	1	21403902	16	74
21332705	4	1	21345806	26	3	21404009	14	8
21333000	4	2	21345905	26	4	21404108	16	70
21333109	4	17	21346002	26	18	21404207	16	69
21333406	4	32	21346309	26	6	21404306	16	71
21333505	14	54	21346358	26	5	21404405	14	37
21334008	4	30	21346408	26	8	21404504	18	1
21336300	10	51	21346507	26	7	21404603	18	6
21336508	4	20	21347000	26	14	21405006	10	1
21336557	4	19	21347109	8	12	21405105	14	26
21336607	10	43	21347208	26	16	21405204	6	2
21336656	10	42	21347406	6	31	21405303	14	31
21336706	10	47	21348206	20	19	21405501	16	75
21336805	10	36	21351002	28	3	21405600	22	12
21337209	10	34	21351101	28	2	21405709	22	10
21337308	10	29	21351150	28	1	21405808	22	4
21337407	10	22	21351200	28	4	21405907	22	6

NUMERICAL INDEX OF PARTS

PART NO	PAGE	REF NO.	PART NO	PAGE	REF NO.	PART NO	PAGE	REF NO.
21406004	22	2	22934202	22	29	40085794	30	12
21406053	22	1	22934301	22	30	40085795	30	13
21406103	8	48	22934400	22	28	40085796	30	16
21406509	8	27	22934509	22	27	40096325	30	14
21406608	8	49	22934707	22	23	40096326	30	17
21407309	12	69	22945505	24	27	40096327	30	19
21407408	12	64	22945703	24	30	40096354	30	1
21407507	26	22	23006406	20	21	40103059	20	1
21407606	26	23	23618101	14	30	40103060	20	2
21407705	26	24	23618200	14	28	40108674	2	22
21407804	14	7	23618408	14	33	40108675	2	24
21408505	2	27	23636202	24	5	40113092	24	28
21408554	2	26	26225201	8	28	A1111007000	2	38
21409909	20	17	40011400	10	32	B1103141H00	2	40
21410006	2	34	40016798	2	1	B1112241H00	2	37
21413000	28	13	40018339	8	15	B1112241HA0	2	36
21437900	8	36	40018340	8	14	B1132521000	2	29
22537658	24	2	40018341	8	22	B1148555000	24	11
22538151	24	4	40019114	2	3	B1155141H00	14	6
22538706	24	32	40019905	4	36	B1203512000	4	29
22604300	4	26	40019907	12	68	B1210051000	4	10
22604904	4	24	40019908	10	58	B1214019000	14	55
22605406	4	4	40019910	10	59	B1305055000A	14	56
22609309	10	11	40019911	12	61	B1307055000	14	57
22609408	10	8	40019926	12	62	B1308055000	14	58
22617906	20	10	40026828	16	76	B1309055000	14	59
22619100	2	49	40027746	6	26	B1310055000	14	60
22620504	26	30	40033026	8	11	B1312563000A	14	48
22623201	16	67	40033029	8	18	B1313055000	14	51
22814909	6	27	40033030	8	23	B1314055000	16	62
22814909	8	38	40033031	8	40	B1401053000	6	5
22863203	22	18	40033032	8	39	B1410771000	6	21
22863252	22	17	40038711	12	63	B1411053000	6	6
22901805	2	52	40038712	12	65	B1412051000	6	7
22904106	8	7	40082634	16	77	B1412051000	26	19
22904106	10	14	40085784	30	2	B1414232000	6	22
22904155	8	6	40085785	30	3	B1414555000	8	20
22904155	10	13	40085786	30	4	B1418761000	10	44
22907604	8	43	40085787	30	5	B1420563000	6	1
22912000	10	40	40085788	30	6	B1437051000	6	24
22912109	10	41	40085789	30	7	B1462053000	8	47
22921308	20	12	40085790	30	8	B14670530A0	8	24
22921407	20	15	40085791	30	9	B1467563000	6	12
22932404	22	22	40085792	30	10	B1468053000	8	25
22932453	22	21	40085793	30	11	B1470241H00	8	51

NUMERICAL INDEX OF PARTS

PART NO	PAGE	REF NO.	PART NO	PAGE	REF NO.	PART NO	PAGE	REF NO.
B1471241H00	8	52	CQ505000000	4	11	SD1000801SH	10	50
B1501241H00	8	53	CS0640860SH	18	10	SK3482500SC	28	12
B1502246000	8	44	CS0640863SH	18	11	SM3031401SE	28	18
B1510155000	8	54	CS0791010SH	14	12	SM4051405SE	30	23
B1525241H00	8	56	CS0791016SH	14	13	SM6040800SP	24	31
B1525241HA0	8	55	CS0950810SH	14	43	SM6051202TP	18	5
B152989000CA	24	7	CS0950816SH	14	44	SM6052002TP	22	11
B1603512000	10	6	CS1201010SH	10	52	SM6061802TP	10	35
B1604012000A	10	2	CS1201011SH	10	53	SM6062502TP	8	37
B1639051000	14	50	D1455055B00	8	33	SM6062502TP	22	16
B1802141H00A	14	4	D1456055B00	8	32	SM8050512TP	10	5
B1803141H00	14	10	D3162555B00	24	25	SM8050602TP	18	3
B1805241H00	18	2	D8232241E00	28	7	SM8050602TP	24	20
B1806241H00	18	4	EA9500B0000	8	13	SM8050612TP	10	46
B1810241H00	18	8	EA9500B0000	26	31	SM8052502TP	22	8
B1829241H00	14	21	EA9500B0100	6	32	SM8060602TP	4	28
B1830241HA0	14	15	M1351731600	6	11	SM8080802TP	6	20
B1830241SA0	14	16	MAV02130000	28	23	SM8080812TP	4	14
B1834512000A	14	23	NM6030001SC	28	21	SM9061203SE	22	25
B1837241H00	14	18	NM6050001SD	22	9	SS2090710TP	2	31
B1837241S00	14	19	NM6050001SE	30	24	SS2110920TP	2	35
B1906051000	4	6	NS6110310SP	24	26	SS3090610SP	26	17
B3127051000	20	8	NS6110530SP	8	35	SS4080620TP	10	60
B3128051000	20	4	NS6110530SP	14	24	SS4080620TP	20	7
B3129053000	20	11	NS6680320SP	10	18	SS4110815SP	2	19
B3134521000	20	13	PS0600502KP	20	16	SS4111015SP	2	45
B31370510A0	20	5	RC0560711KP	24	12	SS4111215SP	2	2
B3138512000	2	32	RE0500000K0	14	49	SS4150915SP	2	53
B3205210000	24	10	RE0500000K0	24	13	SS5090610SP	2	23
B3428521000	22	19	RE0500711KP	10	4	SS5110740TP	28	9
B8112220000	28	17	RE0900000K0	10	55	SS6060210SP	2	39
B8202205000	28	14	RO092270200	10	39	SS6090520SP	24	16
B9117201000	14	17	RO092270200	24	14	SS6090620TP	14	32
B9121012000	28	15	SB32000060A	14	29	SS6090620TP	24	22
BT0500300EA	26	21	SB32000060B	16	72	SS6090910TP	8	50
CM300200001	2	51	SB32000060C	16	73	SS6091022TP	6	17
CM301300001	2	50	SD0380551SL	2	30	SS6110480SP	26	10
CQ200000000	14	3	SD0450401SP	22	7	SS6110810TP	24	18
CQ202000000	4	18	SD0470281SP	20	14	SS6111010SP	26	25
CQ202000000	6	23	SD0640322TP	16	65	SS6111610SP	10	33
CQ202000000	10	45	SD0700451TP	22	14	SS6111620SP	14	22
CQ202000000	26	26	SD0790451SP	22	13	SS6120930TP	10	57
CQ252000000	8	58	SD0800402TP	10	30	SS6121610TP	10	12
CQ252000000	26	20	SD0800481SP	8	45	SS6121860SP	10	37
CQ303000000	4	7	SD0900701TP	10	17	SS6151440SP	28	5

NUMERICAL INDEX OF PARTS

PART NO	PAGE	REF NO.	PART NO	PAGE	REF NO.
SS6151780SP	8	26	SS8151150TP	14	27
SS6151920SP	8	29	SS8151550SP	4	33
SS6152440SP	6	30	SS8660610TP	8	8
SS6153040SP	28	6	SS8660610TP	10	54
SS6661110SP	4	25	SS8660610TP	14	9
SS6661110SP	16	68	SS8660612TP	8	3
SS7080510TP	6	10	SS8660612TP	14	40
SS7090510SP	22	20	SS8660810TP	4	37
SS7090520TP	2	33	TA0750704R0	2	15
SS7090610SP	10	26	TA0750704R0	4	35
SS7090910SP	6	8	TA0750704R0	8	10
SS7090910TP	10	28	TA1050504R0	2	47
SS7091410SP	24	15	TA1250504R0	2	16
SS7110510SP	8	19	TA1450404R0	2	8
SS7110510SP	26	12	WP0320501SC	28	19
SS7110710SP	4	23	WP0450801SD	26	29
SS7110710SP	12	67	WP0482086SD	8	34
SS7110720SP	2	41	WP0501046SC	8	17
SS7110740TP	14	34	WP0531001SC	30	22
SS7110830SP	6	15	WP1612616SE	30	15
SS7110840SP	28	8	WS0510002KN	30	21
SS7110910TP	6	13			
SS7110910TP	8	41			
SS7110910TP	10	21			
SS7110910TP	12	66			
SS7110910TP	20	18			
SS7111120TP	26	28			
SS7111410TP	10	7			
SS7150740SP	8	30			
SS7150910TP	2	21			
SS7621040SP	2	7			
SS8090540SP	16	66			
SS8110410TP	14	45			
SS8110422TP	14	14			
SS8110510SP	18	12			
SS8111010TP	8	59			
SS8150710TP	4	34			
SS8150710TP	8	9			
SS8150710TP	14	53			
SS8150710TP	18	9			
SS8150822TP	4	31			
SS8150822TP	10	24			
SS8150822TP	14	11			
SS8151150TP	6	3			
SS8151150TP	10	10			