

MODEL : DLN-5410N SERIES

List No : 0904-07

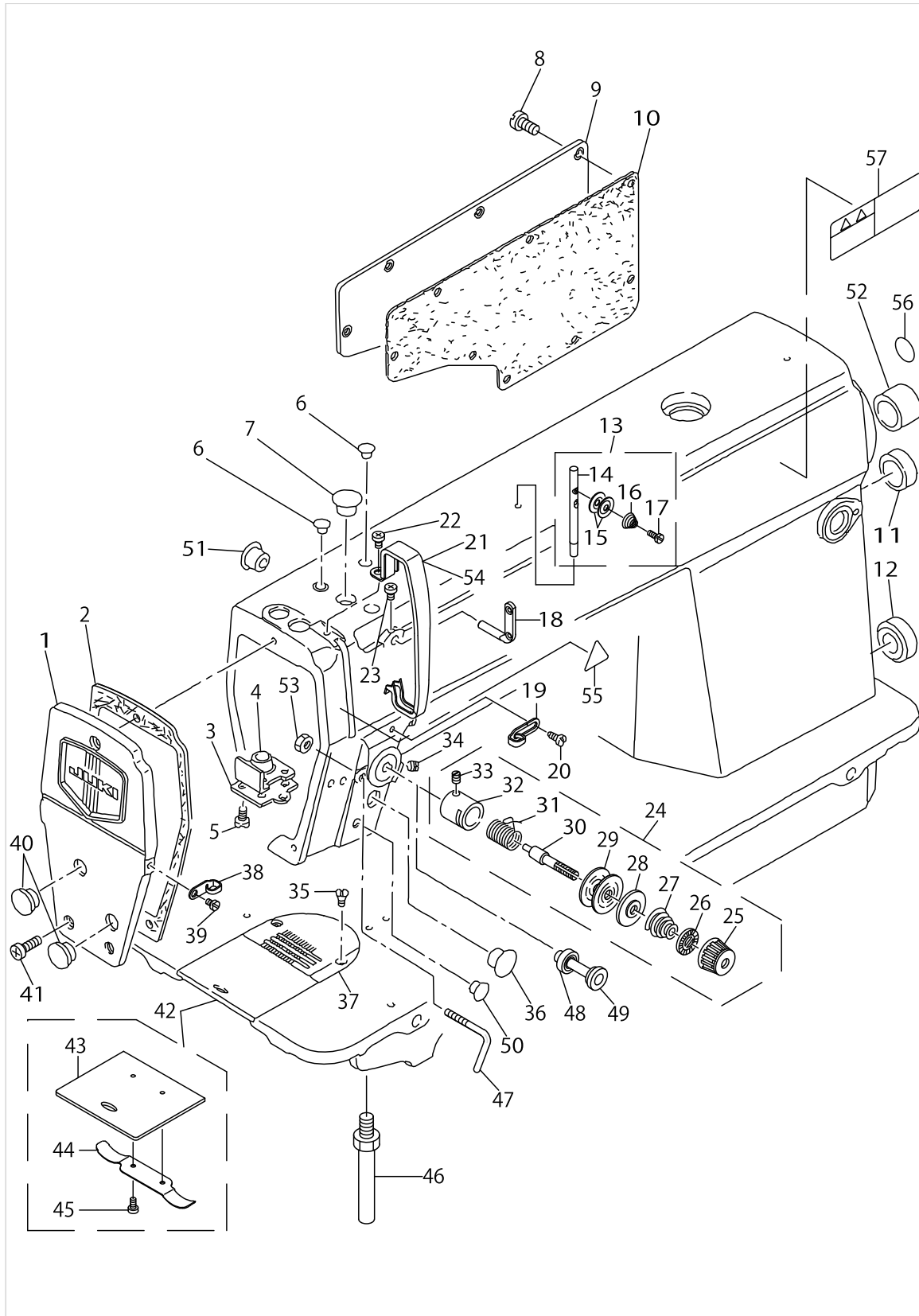
PARTS LIST

Published:09/10/2017

CONTENTS

| | |
|---|----|
| MACHINE FRAME & MISCELLANEOUS COVER COMPONENTS | 1 |
| MAIN SHAFT & THREAD TAKE-UP LEVER COMPONENTS | 5 |
| NEEDLE BAR, UPRIGHT SHAFT & HOOK DRIVING SHAFT COMPONENTS | 7 |
| HAND LIFTER COMPONENTS | 9 |
| FEED MECHANISM COMPONENTS..... | 11 |
| NEEDLE BAR FRAME COMPONENTS..... | 15 |
| OIL LUBRICATION COMPONENTS | 17 |
| OIL RESERVOIR COMPONENTS | 19 |
| BELT COVER & BOBBIN WINDER COMPONENTS | 21 |
| THREAD STAND COMPONENTS..... | 23 |
| EXCLUSIVE PARTS FOR DLN-5410NH..... | 25 |
| EXCLUSIVE PARTS FOR DLN-5410NL..... | 27 |
| LIST FOR INFORMATION OF CHANGE..... | 29 |
| HOW TO MAKE USE OF THIS PARTS LIST | 30 |

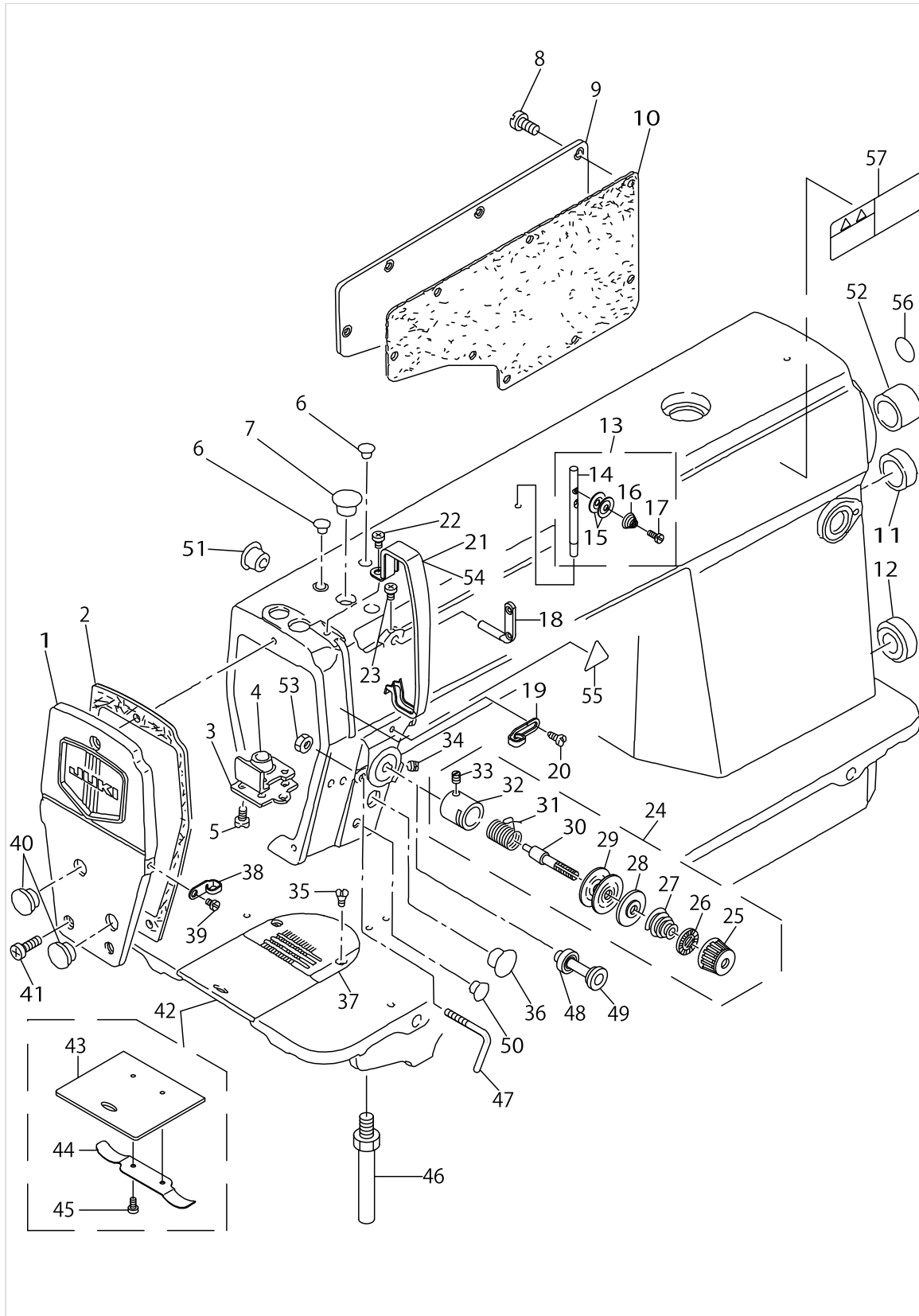
MACHINE FRAME & MISCELLANEOUS COVER COMPONENTS



MACHINE FRAME & MISCELLANEOUS COVER COMPONENTS

| No. | Parts No. | Parts name | Remarks | Level | Cons | Qty |
|-----|-------------|------------------------------|---------|-------|------|-----|
| 1 | 11325750 | FACE PLATE ASM. | | | | 1 |
| 2 | 11300506 | FACE PLATE GASKET | | | | 1 |
| 3 | 11300407 | PRESSER BAR SUPPORT | | | | 1 |
| 4 | 11300605 | GASKET | | | | 1 |
| 5 | SS1120710SP | SCREW 3/16-28 L=6.7 | | | | 4 |
| 6 | TA0850604R0 | RUBBER PLUG | | | | 2 |
| 7 | TA1250705R0 | RUBBER PLUG | | | | 1 |
| 8 | SS4120915SP | SCREW 3/16-28 L=9 | | | | 8 |
| 9 | 22900401 | WINDOW PLATE | | | | 1 |
| 10 | 11003308 | GASKET | | | | 1 |
| 11 | TA2000502R0 | RUBBER PLUG | | | | 1 |
| 12 | TA2101002R0 | RUBBER PLUG | | | | 1 |
| 13 | 22932552 | NEEDLE THREAD GUIDE PIN ASM. | | | | 1 |
| 14 | 22932503 | THREAD GUIDE ROD | | * | | 1 |
| 15 | 22932602 | THREAD GUIDE DISK | | * | | 2 |
| 16 | 22932701 | THREAD GUIDE DISK SPRING | | * | | 1 |
| 17 | SD0380552SL | HINGE SCREW D=3.8 H=5.5 | | * | | 1 |
| 18 | 22920706 | TWO EYELET | | | | 1 |
| 19 | 22920508 | ARM THREAD GUIDE A | | | | 1 |
| 20 | 22921001 | SCREW | | | | 1 |
| 21 | 22900609 | THREAD TAKE-UP LEVER COVER | | | | 1 |
| 22 | SS4120615SP | SCREW 3/16-28 L=6 | | | | 1 |
| 23 | SS4120615SP | SCREW 3/16-28 L=6 | | | | 1 |
| 24 | 22945356 | THREAD TENSION ASM. | | | | 1 |
| 25 | 22921308 | THREAD TENSION NUT | | * | | 1 |
| 26 | 22921407 | ROTATION STOPPER | | * | | 1 |
| 27 | 22921704 | THREAD TENSION SPRING, A | | * | | 1 |
| 28 | 22921803 | DISK STOPPER | | * | | 1 |
| 29 | 22921506 | THREAD TENSION DISK | | * | | 2 |
| 30 | 22921209 | THREAD TENSION POST | | * | | 1 |
| 31 | 22921605 | THREAD TAKE-UP SPRING | | * | | 1 |
| 32 | 22945307 | THREAD TENSION POST BASE | | * | | 1 |
| 33 | SS8090670SP | SCREW 9/64-40 L= 5.5 | | * | | 1 |
| 34 | SS8150710TP | SCREW 15/64-28 L=7 | | | | 1 |
| 35 | SS2110920TP | SCREW 11/64-40 L=8.5 | | | | 2 |
| 36 | TA1250504R0 | RUBBER PLUG | | | | 1 |
| 37 | 11300308 | THROAT PLATE | | | | 1 |
| 38 | 22920607 | ARM THREAD GUIDE B | | | | 1 |
| 39 | SS6110610TP | SCREW 11/64-40 L=6 | | | | 1 |
| 40 | TA1250406R0 | RUBBER PLUG D=12.5 L=4 | | | | 2 |
| 41 | SS4121015SP | SCREW 3/16-28 L=10 | | | | 3 |
| 42 | 22901250 | SLIDE PLATE ASM. | | | | 1 |
| 43 | 22901201 | SLIDE PLATE | | * | | 1 |
| 44 | 22901300 | SLIDE PLATE SPRING | | * | | 1 |
| 45 | SS6060210SP | SCREW 3/32-56 L= 1.9 | | * | | 2 |
| 46 | 22901003 | BED SCREW STUD | | | | 4 |
| 47 | 22972608 | ARM THREAD GUIDE C | | | | 1 |

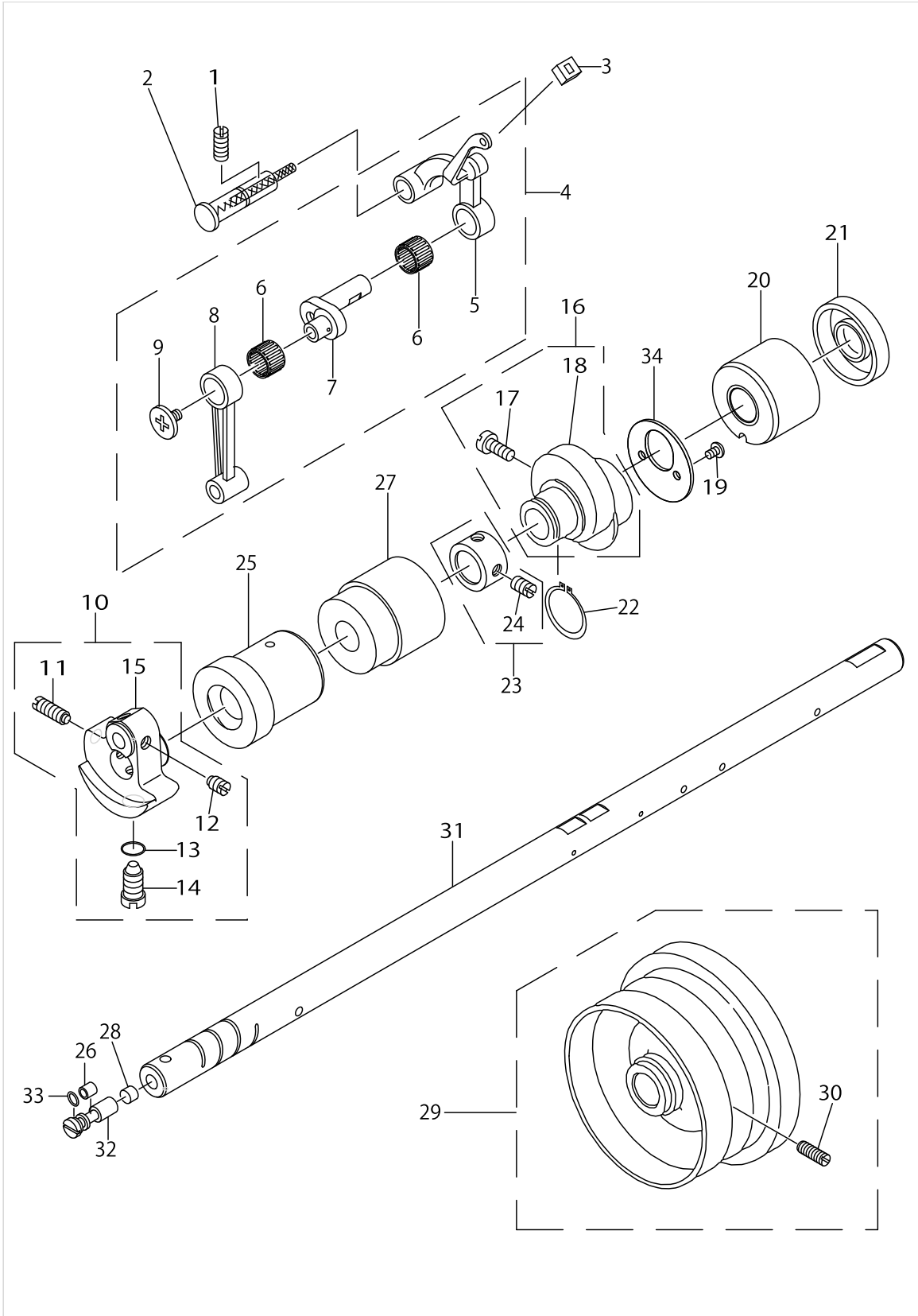
MACHINE FRAME & MISCELLANEOUS COVER COMPONENTS



MACHINE FRAME & MISCELLANEOUS COVER COMPONENTS

| No. | Parts No. | Parts name | Remarks | Level | Cons | Qty |
|-----|-------------|------------------------------|---------|-------|------|-----|
| 48 | B31334150A0 | TENSION RELEASE PIN CAP ASM. | | | | 1 |
| 49 | B3136415000 | CAP RING | | | | 1 |
| 50 | TA0850604R0 | RUBBER PLUG | | | | 1 |
| 51 | TA1250504R0 | RUBBER PLUG | | | | 1 |
| 52 | TA2101002R0 | RUBBER PLUG | | | | 1 |
| 53 | NS6090310SP | NUT 9/64-40 | | | | 1 |
| 54 | 22901904 | THREAD TAKE-UP LEVER COVER | FOR JE | | | 1 |
| 55 | CM300200001 | ATTENTION SEAL | | | | 1 |
| 56 | 22901805 | GROUND MARK | | | | 1 |
| 57 | CM301300001 | SAFETY LABEL | | | | 1 |

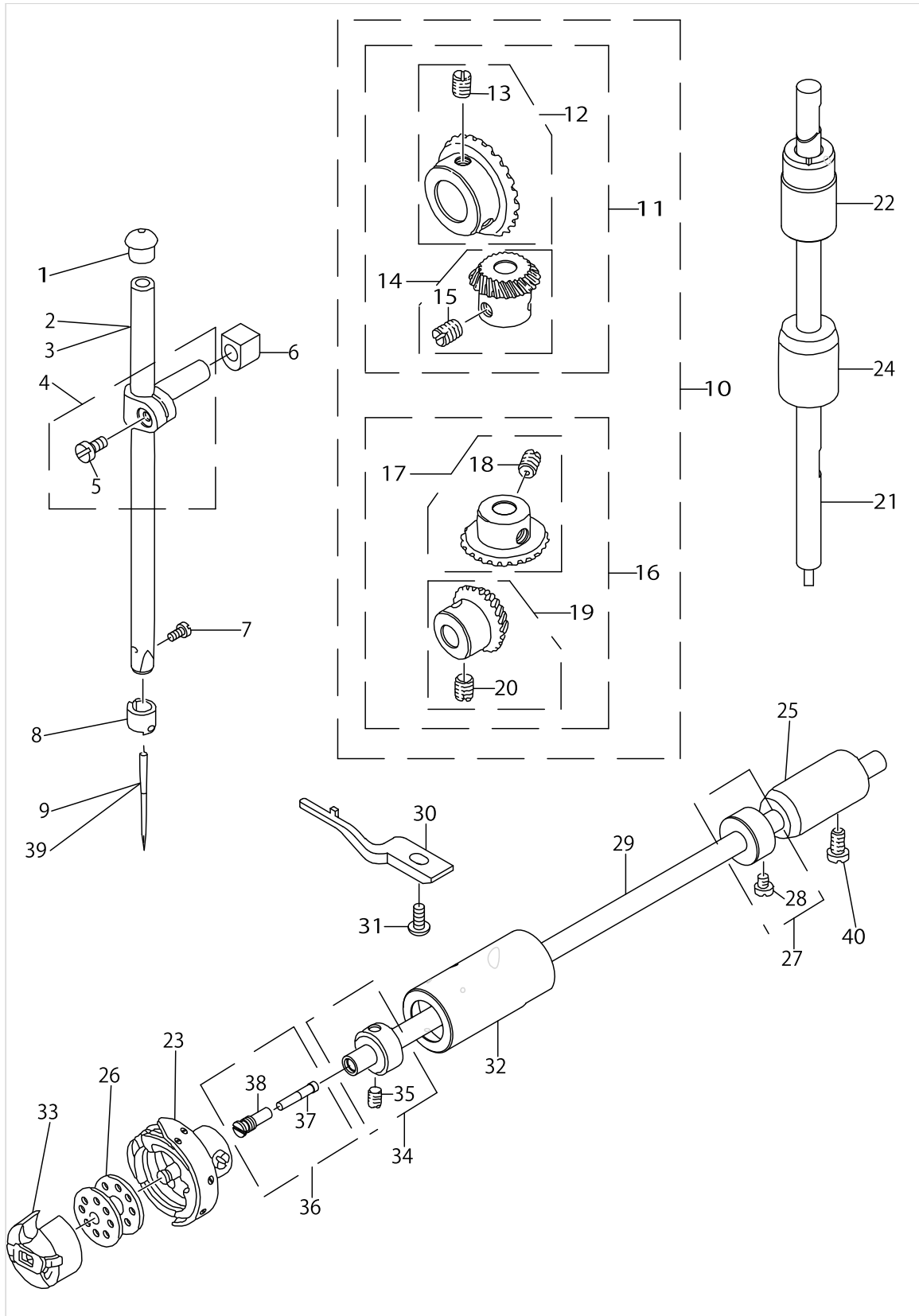
MAIN SHAFT & THREAD TAKE-UP LEVER COMPONENTS



MAIN SHAFT & THREAD TAKE-UP LEVER COMPONENTS

| No. | Parts No. | Parts name | Remarks | Level | Cons | Qty |
|-----|-------------|---------------------------------|-----------------|-------|------|-----|
| 1 | SS8151150TP | SCREW 15/64-28 L=10.5 | | | | 1 |
| 2 | 11017357 | THREAD TAKE-UP CRANK SHAFT ASM. | | | | 1 |
| 3 | 22919203 | OIL PROTECTING RUBBER | | | | 1 |
| 4 | 11039070 | THREAD TAKE-UP LEVER ASM. | | | | 1 |
| 5 | 11039062 | THREAD TAKE-UP LEVER ASM. | | * | | 1 |
| 6 | B1905541B00 | NEEDLE BEARING | SELECTIVE PARTS | * | | 2 |
| 7 | 11005204 | NEEDLE BAR CRANK | | * | | 1 |
| 8 | B1408552000 | NEEDLE BAR CRANK ROD | | * | | 1 |
| 9 | B1903552000 | LEFT SCREW | | * | | 1 |
| 10 | 22903157 | COUNTER WEIGHT ASM. | | | | 1 |
| 11 | SS8681650TP | SCREW 9/32-28 L=16 | | * | | 1 |
| 12 | SS8660610TP | SCREW 1/4-40 L=6 | | * | | 2 |
| 13 | RO044240100 | RUBBER RING | | * | | 1 |
| 14 | SS7681650TP | SCREW 9/32-28 L=16 | | * | | 1 |
| 15 | 22903108 | COUNTER WEIGHT | | * | | 1 |
| 16 | 11302353 | FEED DRIVE ECCENTRIC CAM ASM. | | | | 1 |
| 17 | SS6661110SP | SCREW 1/4-40 L=11 | | * | | 2 |
| 18 | 11302304 | FEED DRIVE ECCENTRIC CAM | | * | | 1 |
| 19 | SS4090615SP | SCREW 9/64-40 L=6 | | | | 2 |
| 20 | 11002409 | MAIN SHAFT BUSHING, REAR | | | | 1 |
| 21 | 11002508 | OIL SEAL | | | | 1 |
| 22 | RC1850001KP | SNAP RING 18.5 | | | | 1 |
| 23 | 22904155 | MAIN SHAFT THRUST COLLAR ASM. | | | | 1 |
| 24 | SS8660610TP | SCREW 1/4-40 L=6 | | * | | 2 |
| 25 | 11300902 | BUSHING, FRONT | | | | 1 |
| 26 | B1215552000 | OIL ADJUSTING COLLAR | | | | 1 |
| 27 | 11202306 | BUSHING, INTERMEDIATE | | | | 1 |
| 28 | 11002904 | ROLLER FELT | | | | 1 |
| 29 | 11071362 | FLYWHEEL ASM. | | | | 1 |
| 30 | SS8151550SP | SCREW 15/64-28 L=15 | | * | | 2 |
| 31 | 22903009 | MAIN SHAFT | | | | 1 |
| 32 | 22903900 | ADJUSTING PIN | | | | 1 |
| 33 | RO029180100 | RUBBER RING | | | | 1 |
| 34 | 22910103 | THRUST COLLAR | | | | 1 |

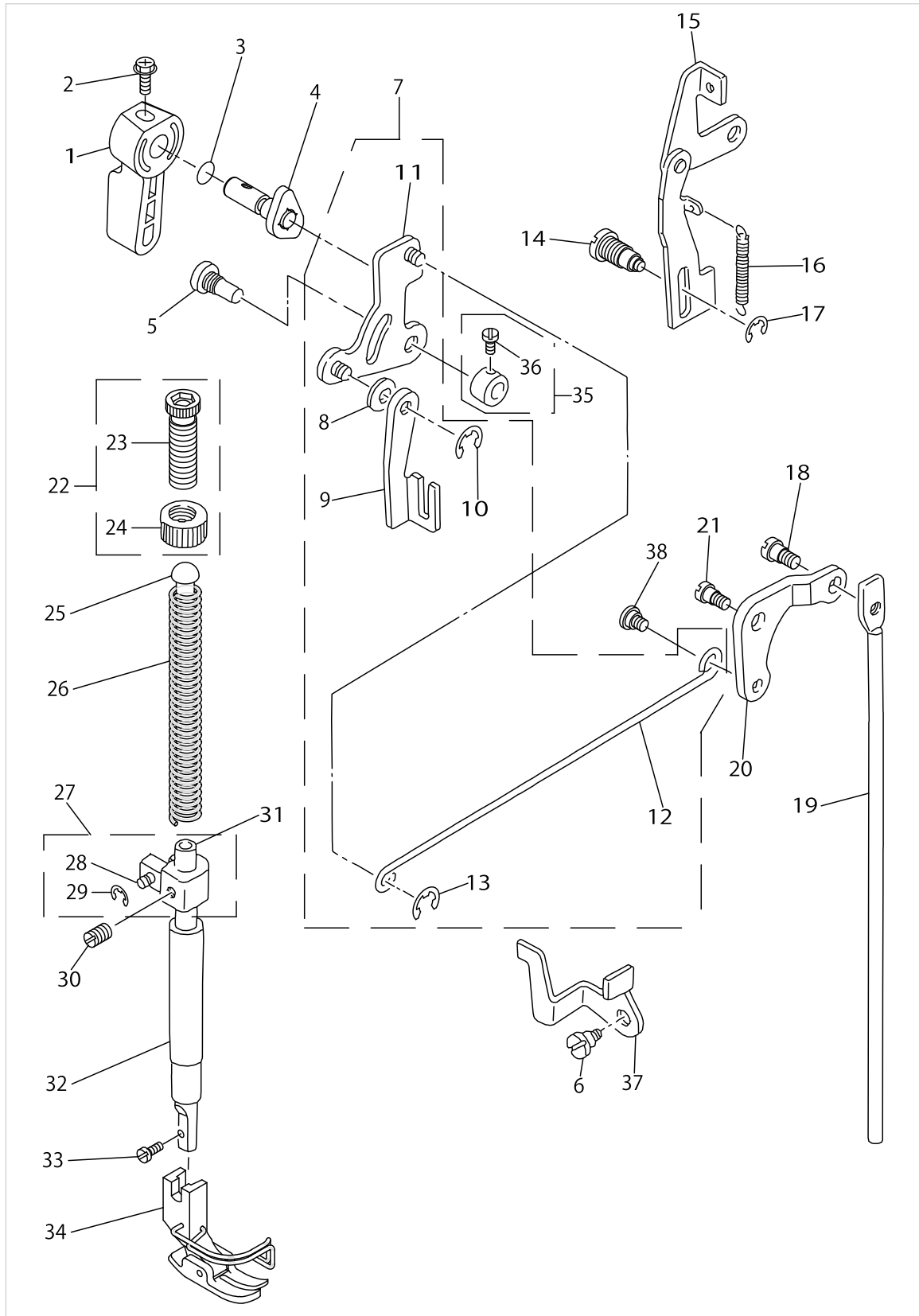
NEEDLE BAR, UPRIGHT SHAFT & HOOK DRIVING SHAFT COMPONENTS



NEEDLE BAR, UPRIGHT SHAFT & HOOK DRIVING SHAFT COMPONENTS

| No. | Parts No. | Parts name | Remarks | Level | Cons | Qty |
|-----|-------------|--------------------------------|---------|-------|------|-----|
| 1 | TA1250804R0 | RUBBER PLUG | | | | 1 |
| 2 | 11301009 | NEEDLE BAR, A | | | | 1 |
| 3 | 11301108 | NEEDLE BAR, B | FOR JE | | | 1 |
| 4 | 22906457 | NEEDLE BAR HOLDER ASM. | | | | 1 |
| 5 | SS6090670TP | SCREW 9/64-40 L=6 | | * | | 1 |
| 6 | B1414226000 | SLIDE BLOCK | | | | 1 |
| 7 | SS7080510TP | SCREW 1/8-44 L=4.5 | | | | 1 |
| 8 | B1418552A00 | NEEDLE THREAD GUIDE A | | | | 1 |
| 9 | MDB100B1400 | NEEDLE DBX1 #14 | | | | 1 |
| 10 | B13061550C0 | GEAR & PINION ASM. | | | | 1 |
| 11 | B13061550B0 | GEAR & PINION ASM., UPPER | | * | | 1 |
| 12 | B13050120A0 | GEAR ASM. | | * | | 1 |
| 13 | SS8660810TP | SCREW 1/4-40 L=8 | | * | | 2 |
| 14 | B13061550A0 | PINION ASM. | | * | | 1 |
| 15 | SS8660810TP | SCREW 1/4-40 L=8 | | * | | 2 |
| 16 | B13071550B0 | GEAR & PINION ASM., LOWER | | * | | 1 |
| 17 | B13071550A0 | GEAR ASM. LARGE | | * | | 1 |
| 18 | SS8660810TP | SCREW 1/4-40 L=8 | | * | | 2 |
| 19 | B13081550A0 | PINION ASM. | | * | | 1 |
| 20 | SS8660810TP | SCREW 1/4-40 L=8 | | * | | 2 |
| 21 | 22905004 | UPRIGHT SHAFT | | | | 1 |
| 22 | 22905103 | UPRIGHT SHAFT BUSHING, UPPER | | | | 1 |
| 23 | B18304150A0 | HOOK ASM. | | | | 1 |
| 24 | 11004207 | UPRIGHT SHAFT BUSHING, LOWER | | | | 1 |
| 25 | 11015807 | BUSHING, REAR | | | | 1 |
| 26 | 22932909 | BOBBIN | | | | 1 |
| 27 | 22917157 | THRUST COLLAR ASM., REAR | | | | 1 |
| 28 | SS6110420TP | SCREW 11/64-40 L=4.8 | | * | | 2 |
| 29 | 22916001 | HOOK DRIVING SHAFT | | | | 1 |
| 30 | 22916407 | BOBBIN CASE POSITIONING FINGER | | | | 1 |
| 31 | SS4110915TP | SCREW 11/64-40 L=9 | | | | 1 |
| 32 | 22916100 | HOOK DRIVING SHAFT BUSH, FRONT | | | | 1 |
| 33 | B18370120A0 | BOBBIN CASE ASM. | | | | 1 |
| 34 | 22917058 | THRUST COLLAR ASM., FRONT | | | | 1 |
| 35 | SS8110410TP | SCREW 11/64-40 L= 3.5 | | * | | 2 |
| 36 | 22916555 | OIL SEAL SCREW ASM. | | | | 1 |
| 37 | 11015906 | OIL WICK | | * | | 1 |
| 38 | 22916506 | SET SCREW | | * | | 1 |
| 39 | MC200500900 | NEEDLE 134 90 | FOR JE | | | 1 |
| 40 | SS4120915SP | SCREW 3/16-28 L=9 | | | | 1 |

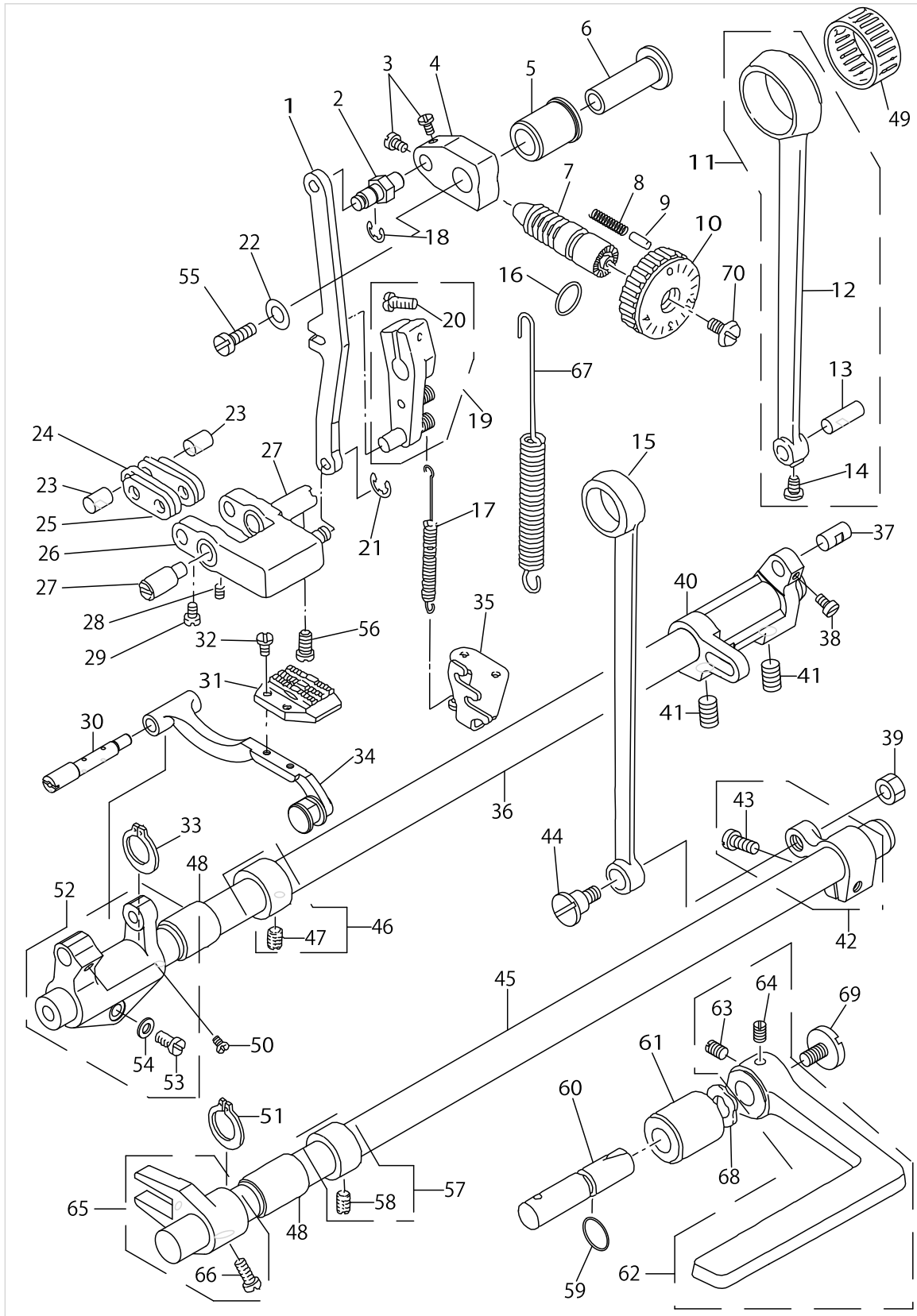
HAND LIFTER COMPONENTS



HAND LIFTER COMPONENTS

| No. | Parts No. | Parts name | Remarks | Level | Cons | Qty |
|-----|-------------|-------------------------------|---------|-------|------|-----|
| 1 | 22907802 | HAND LIFTER | | | | 1 |
| 2 | B1521555000 | SCREW | | | | 1 |
| 3 | RO037180100 | RUBBER RING | | | | 1 |
| 4 | 22908552 | HAND LIFTER CAM ASM. | | | | 1 |
| 5 | 11301702 | LINK SHAFT | | | | 1 |
| 6 | SD0640261SP | HINGE SCREW D=3.65 H=2.6 | | | | 1 |
| 7 | 11301652 | LIFTING LEVER ASM. | | | | 1 |
| 8 | WP0650876SD | WASHER 6.5X13X0.8 | | * | | 1 |
| 9 | 11301603 | LIFTING LEVER | | * | | 1 |
| 10 | RE0500000K0 | E-RING | | * | | 1 |
| 11 | 11006350 | HAND LIFTER LINK ASM. | | * | | 1 |
| 12 | 11006905 | LIFTING LEVER CONNECTING ROD | | * | | 1 |
| 13 | RE0500000K0 | E-RING | | * | | 1 |
| 14 | 11306107 | TENSION RELEASE PLATE SHAFT | | | | 1 |
| 15 | 11305653 | TENSION RELEASE PLATE ASM. | | | | 1 |
| 16 | 11305901 | SPRING | | | | 1 |
| 17 | RE0300000K0 | E-RING 3 | | | | 1 |
| 18 | SD0600322SD | HINGE SCREW D=6 H=3.2 | | | | 1 |
| 19 | 11205408 | CONNECTING ROD | | | | 1 |
| 20 | 11205309 | LIFTING LEVER LINK | | | | 1 |
| 21 | SD0720331SP | HINGE SCREW D= 7.24 H= 3.3 | | | | 1 |
| 22 | 22907554 | FEED REGULATOR SCREW NUT ASM. | | | | 1 |
| 23 | 22907505 | PRESSER SPRING REGULATOR | | * | | 1 |
| 24 | 22907604 | PRESSER SPRING REGULATOR NUT | | * | | 1 |
| 25 | 22907703 | PRESSER GUIDE BAR | | | | 1 |
| 26 | 22907406 | PRESSER SPRING | | | | 1 |
| 27 | 11301355 | NEEDLE BAR GUIDE BRACKET ASM. | | | | 1 |
| 28 | 11301405 | PIN | | * | | 1 |
| 29 | RE0300000K0 | E-RING 3 | | * | | 2 |
| 30 | SS8660610TP | SCREW 1/4-40 L=6 | | | | 1 |
| 31 | 40017805 | PRESSER BAR | | | | 1 |
| 32 | 40060989 | PRESSER BAR BUSHING LOWER | | | | 1 |
| 33 | SS7091110TP | SCREW 9/64-40 L=10.5 | | | | 1 |
| 34 | D1524415BBC | PRESSER FOOT ASM. | | | | 1 |
| 35 | CS064061ASP | THRUST COLLAR ASM. | | | | 1 |
| 36 | SS7090620TP | SCREW 9/64-40 L=6.1 | | * | | 1 |
| 37 | 11305703 | TENSION RELEASE LINK, A | | | | 1 |
| 38 | 22908909 | HINGE SCREW | | | | 1 |

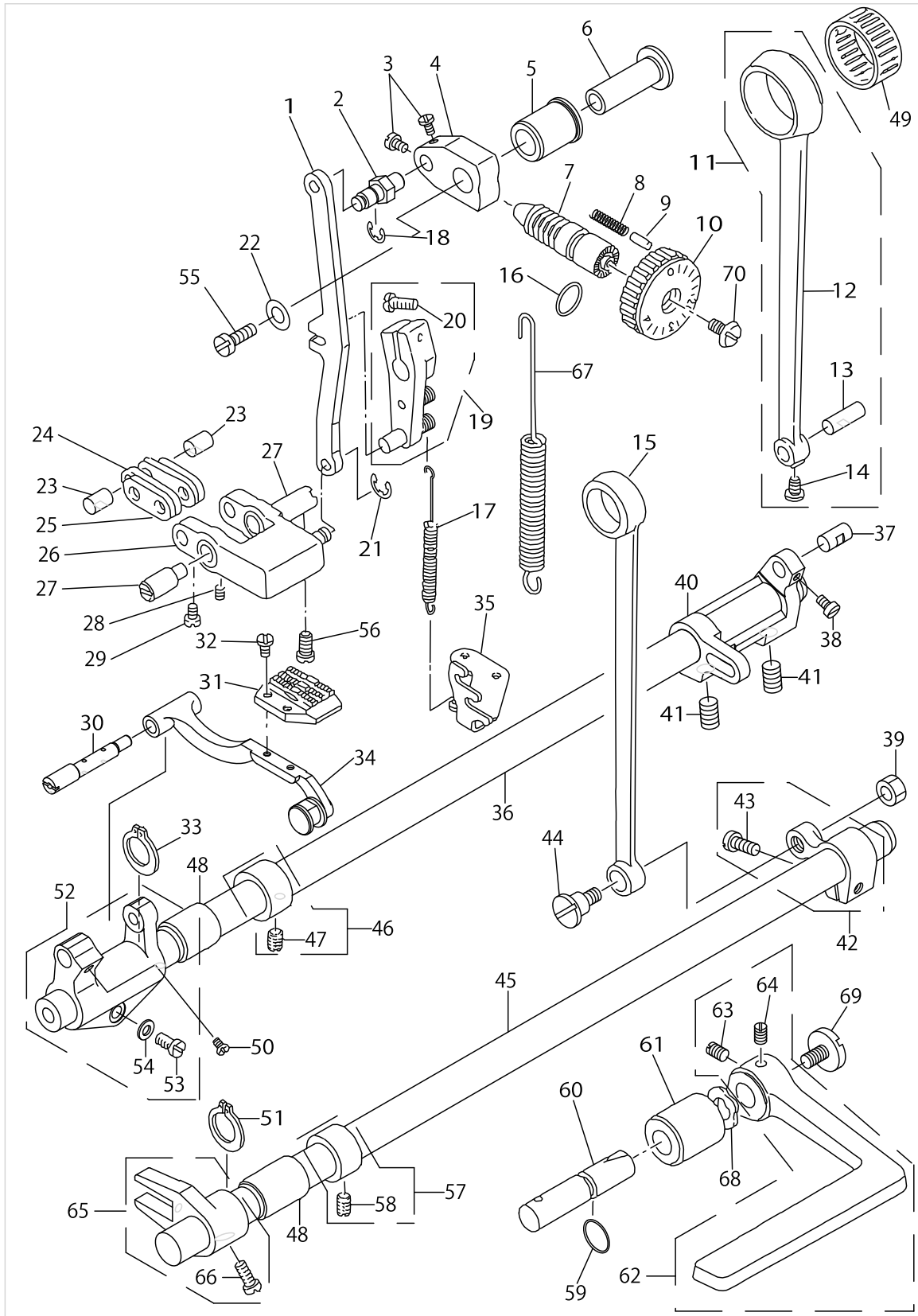
FEED MECHANISM COMPONENTS



FEED MECHANISM COMPONENTS

| No. | Parts No. | Parts name | Remarks | Level | Cons | Qty |
|-----|-------------|--------------------------------|---------|-------|------|-----|
| 1 | 22971105 | FEED REGULATOR ROD | | | | 1 |
| 2 | 22971204 | FEED REGULATOR BASE PIN | | | | 1 |
| 3 | SS6090560TP | SCREW 9/64-40 L=4.5 | | | | 2 |
| 4 | 11303328 | FEED REGULATOR BUSHING | | | | 1 |
| 5 | 22911705 | FEED REGULATOR BUSHING | | | | 1 |
| 6 | 11385127 | FEED REGULATOR SHAFT | | | | 1 |
| 7 | 22911804 | FEED REGULATOR SCREW | | | | 1 |
| 8 | 22912109 | FEED REGULATOR PIN SPRING | | | | 1 |
| 9 | 22912000 | FEED REGULATOR PIN | | | | 1 |
| 10 | 11326204 | FEED DIAL | | | | 1 |
| 11 | 40081220 | ROCKERSHAFTCONNECTINGRODASM. | | | | 1 |
| 12 | 11302411 | ROCKER SHAFT CONNECTING ROD | | * | | 1 |
| 13 | 22911101 | WALKING FOOT PIN C | | * | | 1 |
| 14 | SS6090620TP | SCREW | | * | | 1 |
| 15 | 22915003 | CONNECTING ROD | | | | 1 |
| 16 | RO092270200 | RUBBER RING | | | | 1 |
| 17 | 11305000 | SPRING | | | | 1 |
| 18 | RE0500000K0 | E-RING | | | | 1 |
| 19 | 22971550 | FEED LEVER ARM ASM. | | | | 1 |
| 20 | SS7121410TP | SCREW 3/16-28 L=14 | | * | | 1 |
| 21 | RE0500000K0 | E-RING | | | | 1 |
| 22 | WP0702026SP | WASHER 7X15X2 | | | | 1 |
| 23 | 22910905 | WALKING FOOT PIN A | | | | 2 |
| 24 | 22910707 | CONNECTING LINK B | | | | 2 |
| 25 | 22910608 | CONNECTING LINK A | | | | 2 |
| 26 | 11303161 | FEED ADJUST LINK ASM. | | | | 1 |
| 27 | 22910806 | ADJUST LINK FULCRUM SHAFT A | | | | 2 |
| 28 | SS8150710TP | SCREW 15/64-28 L=7 | | | | 1 |
| 29 | SS6090620TP | SCREW | | | | 2 |
| 30 | 22940803 | FEED BAR SHAFT | | | | 1 |
| 31 | D1609415B00 | FEED DOG | | | | 1 |
| 32 | SS4080620TP | SCREW 1/8-44 L=6 | | | | 2 |
| 33 | RC0150001KP | RETAINING RING 13.8 | | | | 1 |
| 34 | 22971857 | FEED BASE ASM. | | | | 1 |
| 35 | 22970602 | FEED SPRING HOOK | | | | 1 |
| 36 | 22912901 | FEED ROCKER SHAFT | | | | 1 |
| 37 | 22911002 | WALKING FOOT PIN B | | | | 1 |
| 38 | SS6090620TP | SCREW | | | | 1 |
| 39 | NS6680410SP | NUT 9/32-28 | | | | 1 |
| 40 | 11302502 | FEED ROCKER SHAFT CRANK | | | | 1 |
| 41 | SS8681130SP | SCREW 9/32-28 L=11 | | | | 2 |
| 42 | 22915151 | FEED ARM COMPL. | | | | 1 |
| 43 | SS7121610SP | SCREW 3/16-28 L=15.5 | | * | | 1 |
| 44 | SD1000801SH | HINGE SCREW D=10 H=8 | | | | 1 |
| 45 | 22915201 | FEED DRIVING SHAFT | | | | 1 |
| 46 | CS147121ASH | THRUST COLLAR ASM.D=14.72 W=12 | | | | 1 |
| 47 | SS8660610TP | SCREW 1/4-40 L=6 | | * | | 2 |

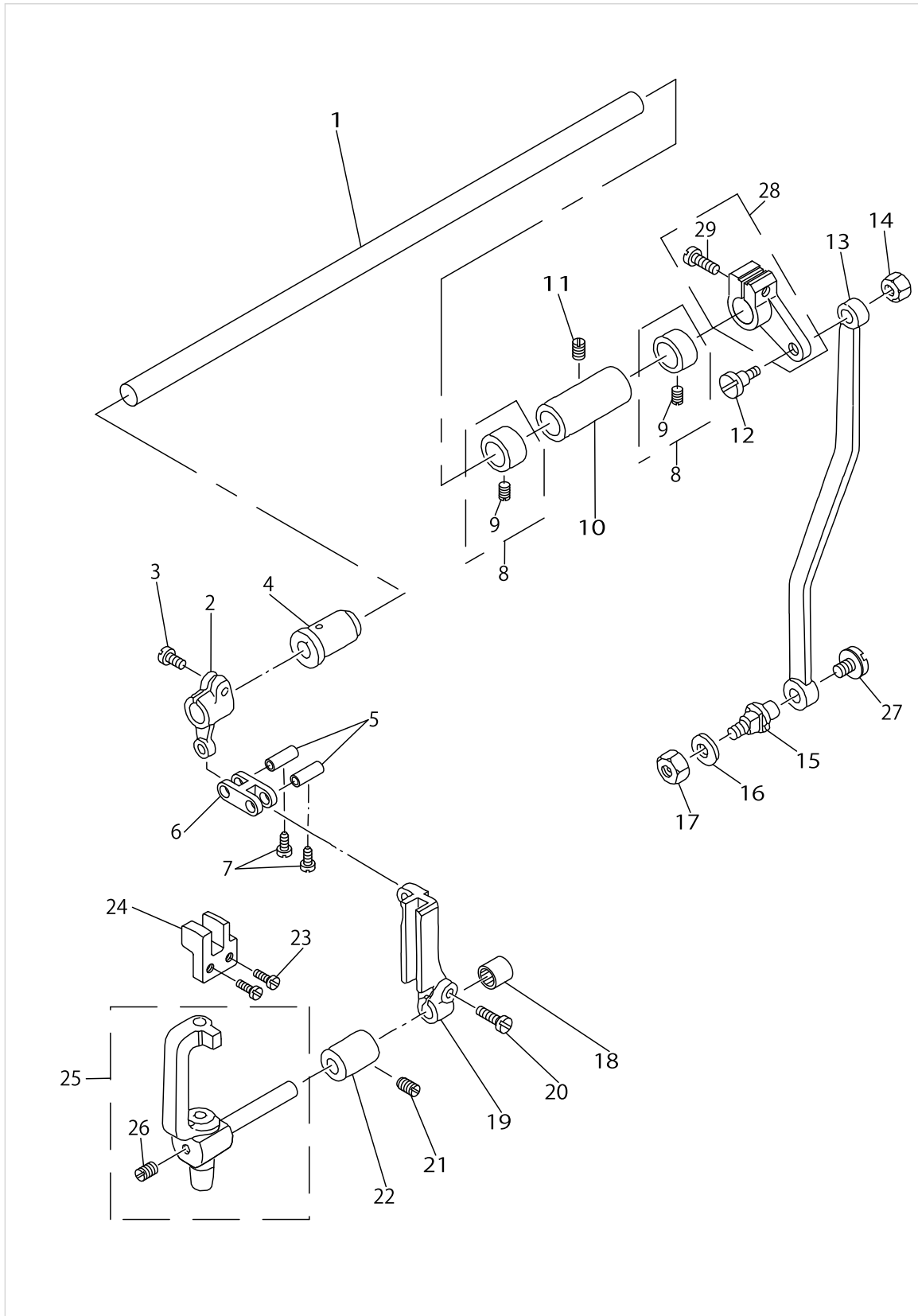
FEED MECHANISM COMPONENTS



FEED MECHANISM COMPONENTS

| No. | Parts No. | Parts name | Remarks | Level | Cons | Qty |
|-----|-------------|--------------------------------|-----------------|-------|------|-----|
| 48 | 22913008 | FEED ROCKER SHAFT BUSHING | | | | 2 |
| 49 | B1636581C00 | NEEDLE BEARING | SELECTIVE PARTS | | | 1 |
| 50 | SS7110740TP | SCREW 11/64-40 L=7 | | | | 1 |
| 51 | RC0150001KP | RETAINING RING 13.8 | | | | 1 |
| 52 | 22940654 | FEED ROCKER ASM. | | | | 1 |
| 53 | SS7121410TP | SCREW 3/16-28 L=14 | | * | | 1 |
| 54 | WP0480856SP | WASHER 4.8X8.4X0.8 | | * | | 1 |
| 55 | SS9661120CP | SCREW 1/4-40 L=10.5 | | | | 1 |
| 56 | SS6151220SP | SCREW 15/64-28 L=11.5 | | | | 1 |
| 57 | CS147121ASH | THRUST COLLAR ASM.D=14.72 W=12 | | | | 1 |
| 58 | SS8660610TP | SCREW 1/4-40 L=6 | | * | | 2 |
| 59 | RO078190100 | RUBBER RING | | | | 1 |
| 60 | 22967202 | FEED REVERSE SHAFT | | | | 1 |
| 61 | 22912802 | FEED LEVER SHAFT BUSHING | | | | 1 |
| 62 | 22912752 | FEED LEVER ASM. | | | | 1 |
| 63 | SS8661030SP | SCREW 1/4-40 L=10 | | * | | 1 |
| 64 | SS8661040TP | SCREW 1/4-40 L=10 | | * | | 1 |
| 65 | 22915359 | DRIVING SHAFT CRANK ASM. | | | | 1 |
| 66 | SS7111120SP | SCREW 11/64-40 L=10.5 | | * | | 1 |
| 67 | 11302619 | SPRING | | | | 1 |
| 68 | WZ1250300K0 | WAVED WASHER 12.5X17X0.3 | | | | 1 |
| 69 | SS7620750SP | SCREW 3/16-32 L= 6.5 | | | | 1 |
| 70 | SS6121860SP | SCREW 3/16-28 L=18 | | | | 1 |

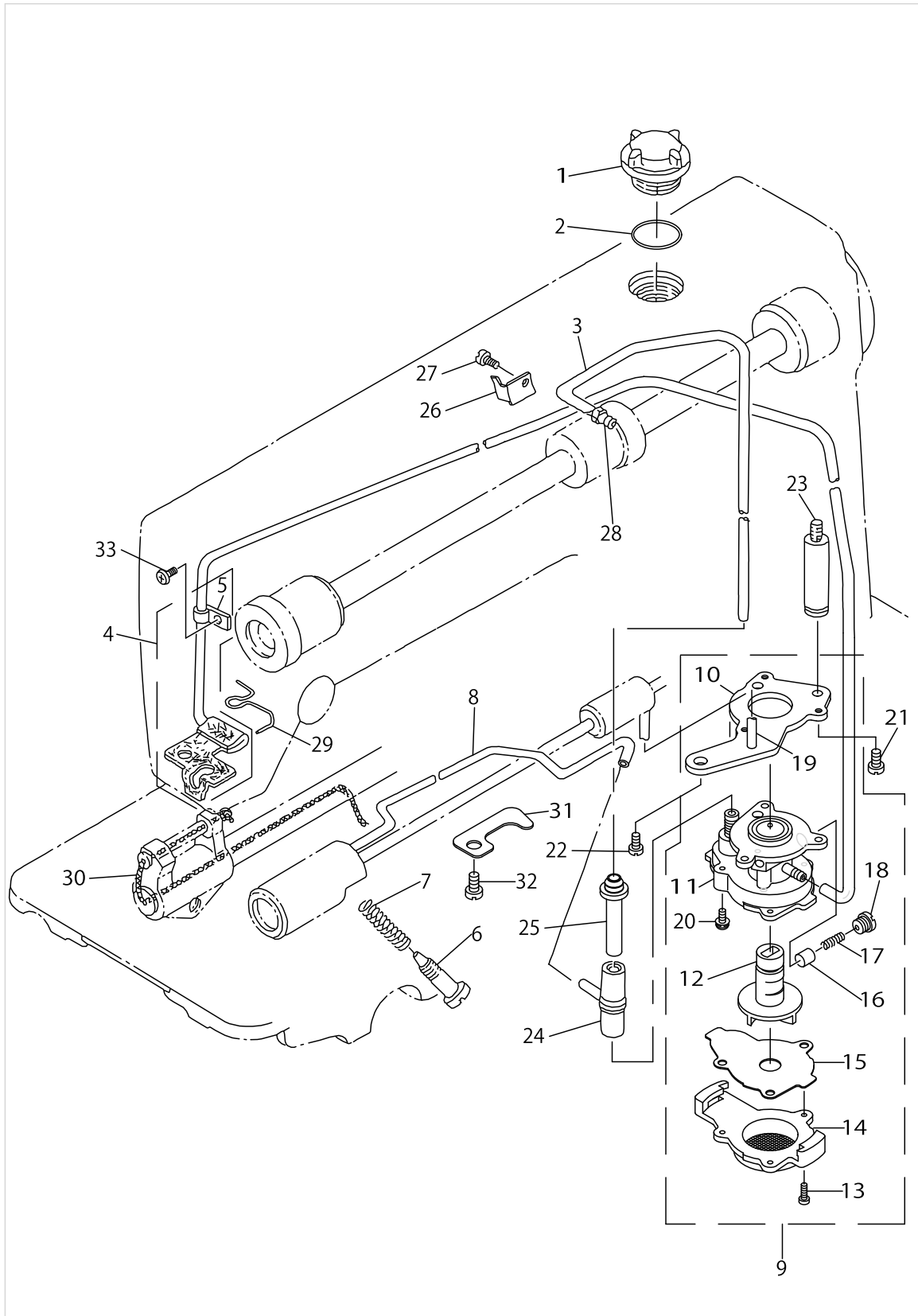
NEEDLE BAR FRAME COMPONENTS



NEEDLE BAR FRAME COMPONENTS

| No. | Parts No. | Parts name | Remarks | Level | Cons | Qty |
|-----|-------------|------------------------------|----------------|-------|------|-----|
| 1 | 11304409 | CONNECTING SHAFT | | | | 1 |
| 2 | 11304003 | DRIVING CRANK, FRONT | | | | 1 |
| 3 | SS6121220TP | SCREW 3/16-28 L=11.5 | | | | 1 |
| 4 | 11211000 | ROCK SHAFT BUSHING, FRONT | | | | 1 |
| 5 | B1412352B00 | NEEDLE BAR LINK PIN | SELECTIVE PART | | | 2 |
| 6 | B2906415000 | DRIVING LINK | | | | 1 |
| 7 | SS6090660TP | SCREW 9/64-40 L=6 | | | | 2 |
| 8 | CS120101BSH | THRUST COLLAR ASM. | | | | 2 |
| 9 | SS8660410SP | SCREW 1/4-40 L= 4.2 | | * | | 4 |
| 10 | 11210903 | ROCK SHAFT BUSHING, REAR | | | | 1 |
| 11 | SS8120740SP | SCREW 3/16-28 L=7 | | | | 1 |
| 12 | SD0790501SP | HINGE SCREW D=7.94 H=5 | | | | 1 |
| 13 | 11304201 | CONNECTING ROD | | | | 1 |
| 14 | NS6150310SP | NUT 15/64-28 | | | | 1 |
| 15 | 11304300 | CONNECTING ROD SHAFT | | | | 1 |
| 16 | WP0621016SD | WASHER 6.2X13X1 | | | | 1 |
| 17 | NS6150430SP | NUT 15/64-28 | | | | 1 |
| 18 | SB309000400 | BEARING | | | | 1 |
| 19 | 11303807 | SLIDE BLOCK GUIDE | | | | 1 |
| 20 | SS6121610SP | SCREW 3/16-28 L=15.5 | | | | 1 |
| 21 | SS8120740SP | SCREW 3/16-28 L=7 | | | | 1 |
| 22 | 11214509 | BUSHING | | | | 1 |
| 23 | SS6090810TP | SCREW 9/64-40 L=7.5 | | | | 2 |
| 24 | 11303906 | NEEDLE BAR FRAME GUIDE | | | | 1 |
| 25 | 11303567 | NEEDLE ROD ROCKING BASE ASM. | | | | 1 |
| 26 | SS8110310SP | SCREW 11/64-40 L= 2.8 | | * | | 1 |
| 27 | SS6110640SP | SCREW 11/64-40 L=6 | | | | 1 |
| 28 | 11304151 | SHAFT ARM ASM. (REAR) | | | | 1 |
| 29 | SS7121410SP | SCREW 3/16-28 L=14 | | * | | 1 |

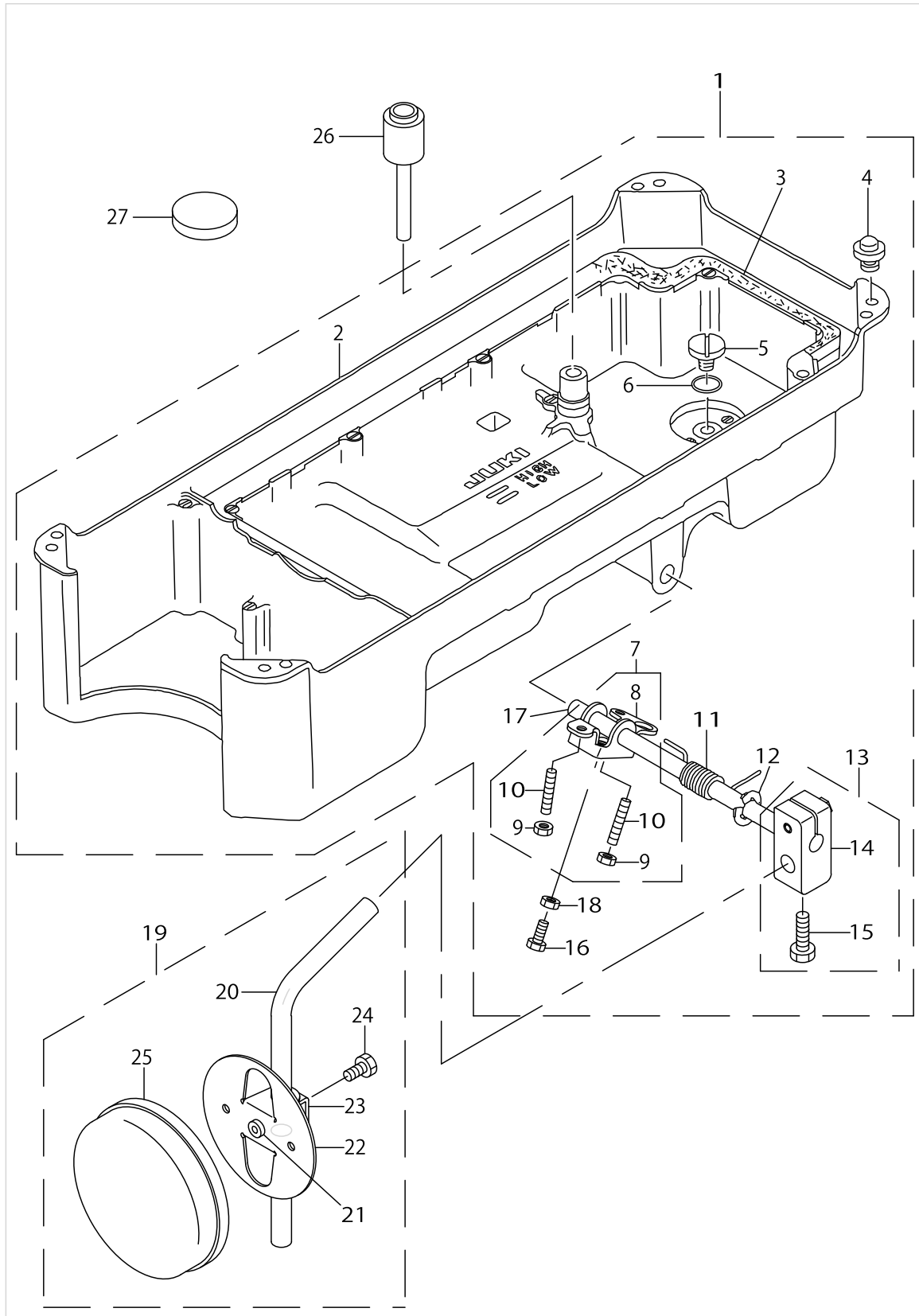
OIL LUBRICATION COMPONENTS



OIL LUBRICATION COMPONENTS

| No. | Parts No. | Parts name | Remarks | Level | Cons | Qty |
|-----|-------------|--------------------------------|---------|-------|------|------|
| 1 | 22924708 | OIL SIGHT WINDOW | | | | 1 |
| 2 | RO195240100 | RUBBER RING | | | | 1 |
| 3 | BT0600402EA | OIL TUBE | | | | 0.27 |
| 4 | 11307154 | OIL RETURN TUBE ASM. | | | | 1 |
| 5 | B3536122000 | HOLDER | | * | | 1 |
| 6 | 22925002 | OIL REGULATOR SCREW | | | | 1 |
| 7 | 22924906 | OIL REGULATOR SCREW SPRING | | | | 1 |
| 8 | 11307352 | OIL WICK ASM. | | | | 1 |
| 9 | 22923056 | OIL PUMP ASM. | | | | 1 |
| 10 | 22923304 | PUMP BODY INSTALLING PLATE | | * | | 1 |
| 11 | 22923007 | PUMP BODY | | * | | 1 |
| 12 | 22923700 | IMPELLER | | * | | 1 |
| 13 | SE4301041SR | SCREW D=3 L=10 | | * | | 3 |
| 14 | 22923205 | PUMP BODY COVER | | * | | 1 |
| 15 | 22923809 | PUMP BODY SUPPORT PLATE | | * | | 1 |
| 16 | 22923403 | PLUNGER | | * | | 1 |
| 17 | 22923601 | PLUNGER SPRING | | * | | 1 |
| 18 | 22923502 | PLUNGER SCREW | | * | | 1 |
| 19 | 22923908 | HOOK DRIVING SHAFT OILING PIPE | | * | | 1 |
| 20 | SL4030851SF | SCREW M3 L=8 | | * | | 3 |
| 21 | SS6111010TP | SCREW 11/64-40 L= 9.5 | | | | 1 |
| 22 | SS4150915SP | SCREW 15/64-28 L=9 | | | | 1 |
| 23 | 22924005 | PUMP BODY STRUT | | | | 1 |
| 24 | 22924609 | RUBBER JOINT | | | | 1 |
| 25 | 11221504 | OIL TUBE JOINT | | | | 1 |
| 26 | 11222007 | HOLDER | | | | 1 |
| 27 | SS6080340SP | SCREW 1/8-44 L=2.9 | | | | 1 |
| 28 | SQ1150501SD | CONNECTING SCREW | | | | 1 |
| 29 | 11307006 | OIL FELT PRESSER | | | | 1 |
| 30 | CQ252000000 | OIL WICK | | | | 0.3 |
| 31 | 22924807 | PIPE HOLDER, LOWER | | | | 1 |
| 32 | SS4120615SP | SCREW 3/16-28 L=6 | | | | 1 |
| 33 | SS4120615SP | SCREW 3/16-28 L=6 | | | | 1 |

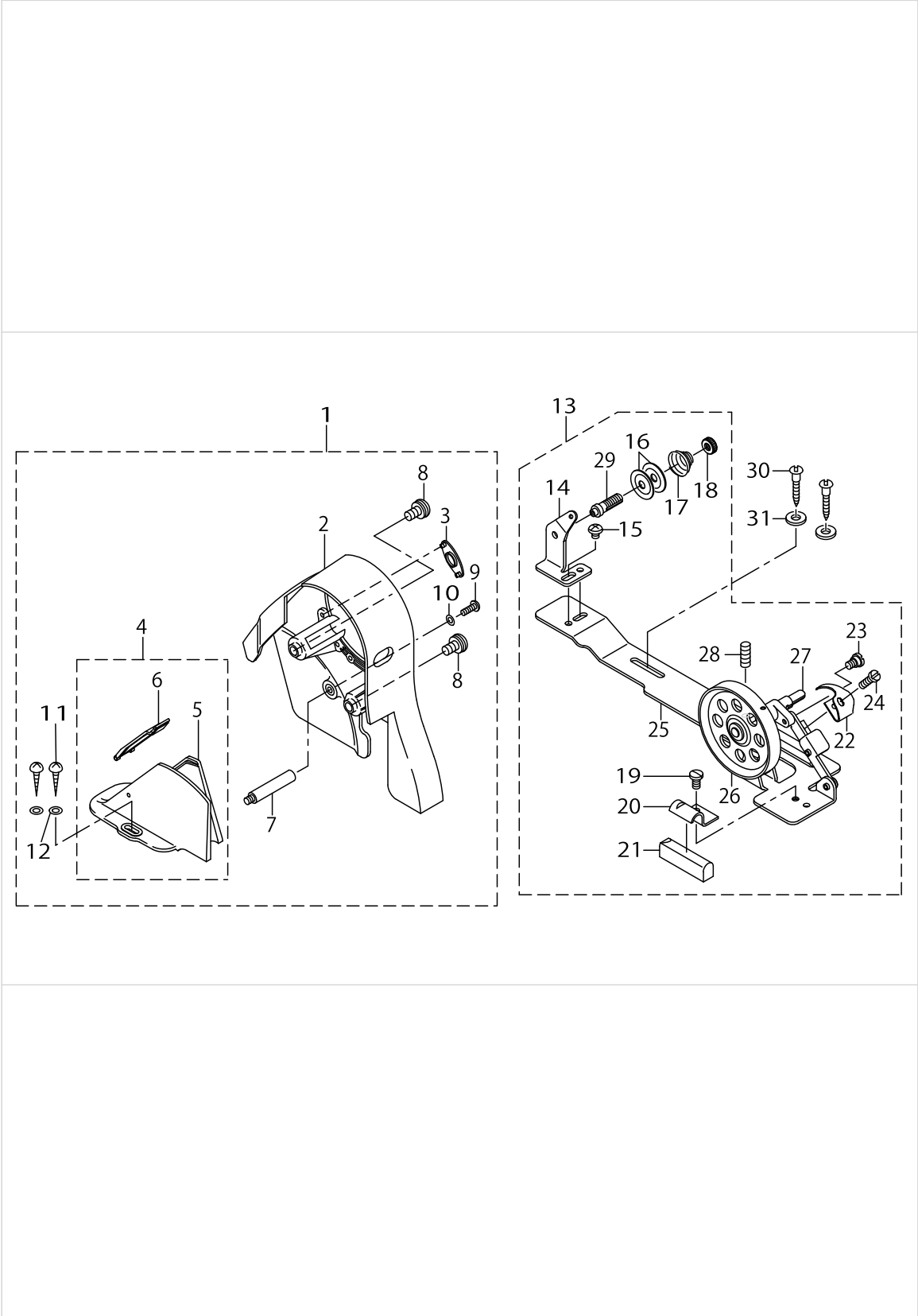
OIL RESERVOIR COMPONENTS



OIL RESERVOIR COMPONENTS

| No. | Parts No. | Parts name | Remarks | Level | Cons | Qty |
|-----|-------------|-------------------------------|---------|-------|------|-----|
| 1 | 11047057 | OIL RESERVOIR ASM. | | | | 1 |
| 2 | 11023017 | OIL RESERVOIR | | * | | 1 |
| 3 | 11024700 | GASKET | | * | | 1 |
| 4 | 11047107 | RUBBER CUSHION | | * | | 4 |
| 5 | SS6700710SH | SCREW 5/16-24 L=7 | | * | | 1 |
| 6 | RO098240100 | RUBBER RING | | * | | 1 |
| 7 | 22932156 | KNEE LIFTER ROTATION ARM ASM. | | * | | 1 |
| 8 | 22932107 | KNEE LIFTER ROTATION ARM | | * | | 1 |
| 9 | NM6060001SE | NUT M6 | | * | | 2 |
| 10 | SM8063012TR | SCREW M6 L=30 | | * | | 2 |
| 11 | 22932206 | SPRING | | * | | 1 |
| 12 | RE1000000K0 | E-RING 10 | | * | | 1 |
| 13 | 22932453 | BRACKET ASM. | | * | | 1 |
| 14 | 22932404 | BRACKET | | * | | 1 |
| 15 | 22934707 | BRACKET SCREW | | * | | 2 |
| 16 | SM9062563TR | SCREW M6 L=25 | | * | | 1 |
| 17 | 22932305 | KNEE PRESS CROSS SHAFT | | * | | 1 |
| 18 | NM6060001SE | NUT M6 | | * | | 1 |
| 19 | 22934251 | KNEE PAD PLATE ASM. | | | | 1 |
| 20 | 22934608 | KNEE PAD UPRIGHT SHAFT | | * | | 1 |
| 21 | 22934400 | KNEE PAD PLATE RUBBER | | * | | 1 |
| 22 | 22934202 | KNEE PAD PLATE | | * | | 1 |
| 23 | 22934301 | KNEE PAD PLATE SUPPORT | | * | | 1 |
| 24 | SM9061203SE | SCREW M6 L=12 | | * | | 1 |
| 25 | 22934509 | KNEE PAD PLATE COVER | | * | | 1 |
| 26 | 11024304 | KNEE PRESS LIFTER ROD | | | | 1 |
| 27 | B8228125000 | OIL RESERVOIR MAGNET | | | | 1 |

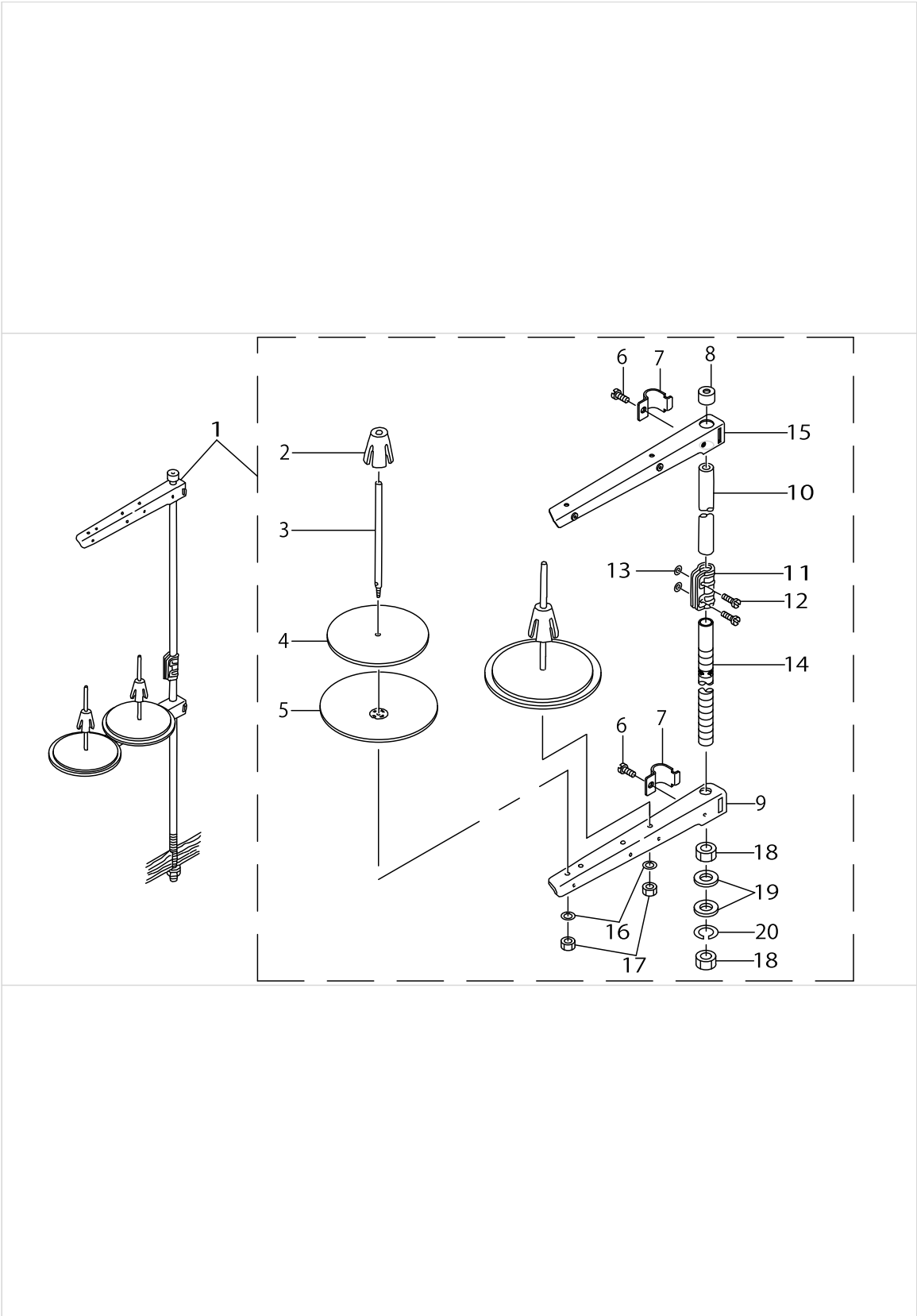
BELT COVER & BOBBIN WINDER COMPONENTS



BELT COVER & BOBBIN WINDER COMPONENTS

| No. | Parts No. | Parts name | Remarks | Level | Cons | Qty |
|-----|-------------|------------------------------|---------|-------|------|-----|
| 1 | 22933451 | BELT COVER ASM. | | | | 1 |
| 2 | 22933402 | BELT COVER A | | * | | 1 |
| 3 | 22933501 | BELT COVER A CAP | | * | | 1 |
| 4 | 22933659 | BELT COVER B COMPL. | | * | | 1 |
| 5 | 22933600 | BELT COVER B | | * | | 1 |
| 6 | 22933758 | BELT COVER B LID ASM. | | * | | 1 |
| 7 | 22933907 | BELT COVER STRUT | | * | | 1 |
| 8 | 22934004 | SET SCREW | | * | | 2 |
| 9 | SS4121415SP | SCREW 3/16-28 L=14 | | * | | 1 |
| 10 | WP0501016SD | WASHER 5X10.5X1 | | * | | 1 |
| 11 | SK3412000SC | WOOD SCREW D=4.1 L=20 | | * | | 2 |
| 12 | WP0450826SC | WASHER 4.5X10X0.8 | | * | | 2 |
| 13 | 22927354 | BOBBIN WINDER COMPL. | | | | 1 |
| 14 | 22928501 | THREAD TENSION POST BASE | | * | | 1 |
| 15 | SS4110515SP | SCREW 11/64-40 L=5 | | * | | 1 |
| 16 | 22928907 | THREAD TENSION DISK | | * | | 2 |
| 17 | 22929004 | THREAD TENSION SPRING | | * | | 1 |
| 18 | 22928808 | NUT | | * | | 1 |
| 19 | SS7110350SP | SCREW 11/64-40 L=3.5 | | * | | 1 |
| 20 | 22928402 | CONTROL RUBBER HOLDING PLATE | | * | | 1 |
| 21 | 22928303 | CONTROL RUBBER | | * | | 1 |
| 22 | 22928105 | BOBBIN PRESSER | | * | | 1 |
| 23 | SD0490261SP | HINGE SCREW D=4.9 H=2.6 | | * | | 1 |
| 24 | SS7081310SP | SCREW 1/8-44 L=12.5 | | * | | 1 |
| 25 | 22927305 | BOBBIN WINDER BASE | | * | | 1 |
| 26 | 22927404 | BOBBIN WINDER | | * | | 1 |
| 27 | 22927602 | BOBBIN WINDER SPINDLE | | * | | 1 |
| 28 | SS8110510SP | SCREW 11/64-40 L=5 | | * | | 1 |
| 29 | 22928709 | THREAD TENSION POST | | * | | 1 |
| 30 | SK3412000SC | WOOD SCREW D=4.1 L=20 | | | | 2 |
| 31 | WP0450826SC | WASHER 4.5X10X0.8 | | | | 2 |

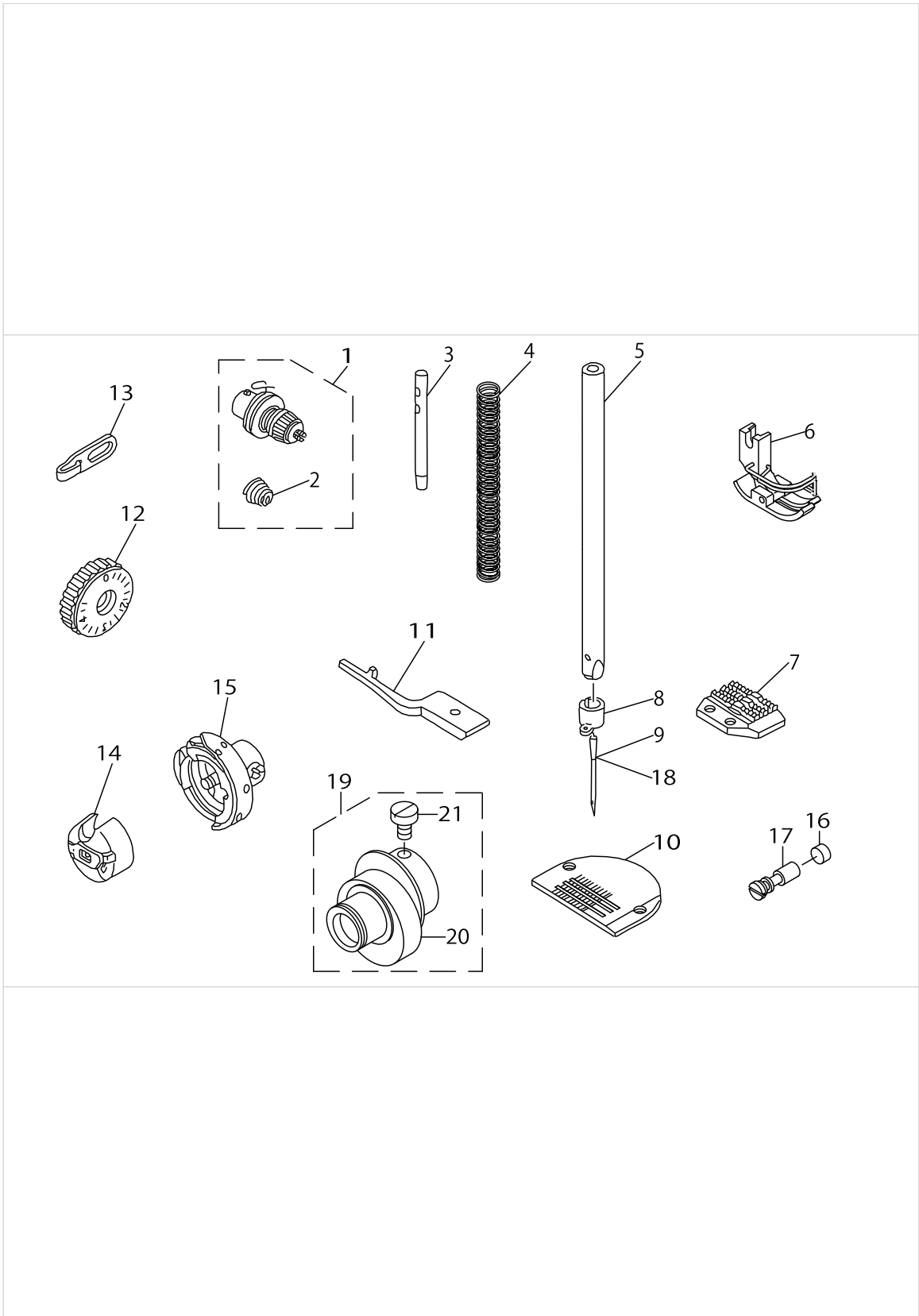
THREAD STAND COMPONENTS



THREAD STAND COMPONENTS

| No. | Parts No. | Parts name | Remarks | Level | Cons | Qty |
|-----|-------------|---------------------------|---------|-------|------|-----|
| 1 | 22930358 | THREAD STAND ASM. | | | | 1 |
| 2 | 22931109 | SPOOL RETAINER | | * | | 2 |
| 3 | 22931000 | SPOOL PIN | | * | | 2 |
| 4 | 22930903 | SPOOL REST CUSHION | | * | | 2 |
| 5 | 22930804 | SPOOL REST | | * | | 2 |
| 6 | SM6061610SC | SCREW M6 L=16 | | * | | 2 |
| 7 | 22930705 | THREAD GUIDE ARM JOINT | | * | | 2 |
| 8 | 22931406 | SPOOL REST ROD RUBBER CAP | | * | | 1 |
| 9 | 22930507 | SPOOL REST ARM | | * | | 1 |
| 10 | 22930408 | SPOOL REST ROD, UPPER | | * | | 1 |
| 11 | 22931307 | SPOOL REST ROD JOINT | | * | | 1 |
| 12 | SM4051405SE | SCREW M5 L=14 | | * | | 2 |
| 13 | NM6050001SE | NUT M5 | | * | | 2 |
| 14 | 22930309 | SPOOL REST ROD, LOWER | | * | | 1 |
| 15 | 22930556 | THREAD STANDING ARM ASM. | | * | | 1 |
| 16 | WS0510002KN | SPRING WASHER | | * | | 2 |
| 17 | NM6050001SE | NUT M5 | | * | | 2 |
| 18 | NM6160511SE | NUT M16X1.5 | | * | | 2 |
| 19 | WP1612616SE | WASHER 16.1X30X2.6 | | * | | 2 |
| 20 | WS1643202KR | SPRING WASHER | | * | | 1 |

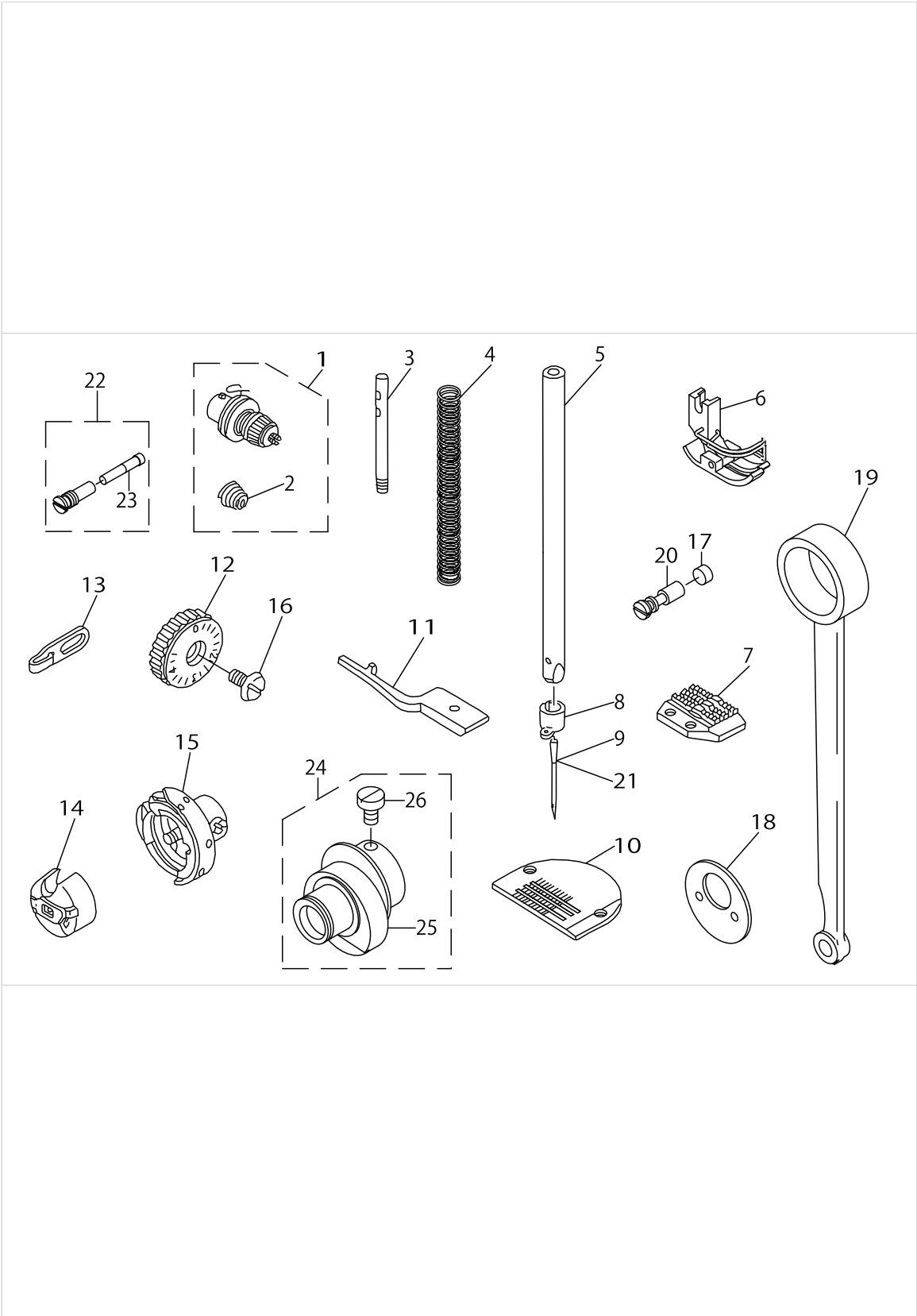
EXCLUSIVE PARTS FOR DLN-5410NH



EXCLUSIVE PARTS FOR DLN-5410NH

| No. | Parts No. | Parts name | Remarks | Level | Cons | Qty |
|-----|--------------|---------------------------|---------|-------|------|-----|
| 1 | 22962054 | THREAD TENSION ASM. | | | | 1 |
| 2 | 22962055 | THREAD TENSION SPRING | | * | | 1 |
| 3 | 22958300 | THREAD GUIDE PIN | | | | 1 |
| 4 | B1505552000A | PRESSER SPRING | | | | 1 |
| 5 | 11320801 | NEEDLE BAR | | | | 1 |
| 6 | B1524041EB0 | PRESSER FOOT ASM. | | | | 1 |
| 7 | 11322203 | FEED DOG, H | | | | 1 |
| 8 | B1418415H00 | NEEDLE BAR THREAD GUIDE | | | | 1 |
| 9 | MDB100B2100 | NEEDLE DBX1 #21 | | | | 1 |
| 10 | B1109415H0B | THROAT PLATE (H) | | | | 1 |
| 11 | 11091709 | POSITIONING FINGER | | | | 1 |
| 12 | 11326303 | FEED DIAL | | | | 1 |
| 13 | 11091006 | ARM THREAD GUIDE (HA) | | | | 1 |
| 14 | 11038759 | BOBBIN CASE ASM. | | | | 1 |
| 15 | 11321452 | LUBRICATING BOBBIN ASM. | | | | 1 |
| 16 | B1226552000 | ROLLER FELT | | | | 1 |
| 17 | B1213552000A | OIL ADJUSTING PIN | | | | 1 |
| 18 | MC200501400 | NEEDLE 134 140 | FOR JE | | | 1 |
| 19 | 11322450 | FEED ECCENTRIC CAM H ASM. | | | | 1 |
| 20 | 11322401 | FEED ECCENTRIC CAM H | | * | | 1 |
| 21 | SS6661110SP | SCREW 1/4-40 L=11 | | * | | 2 |

EXCLUSIVE PARTS FOR DLN-5410NL



EXCLUSIVE PARTS FOR DLN-5410NL

| No. | Parts No. | Parts name | Remarks | Level | Cons | Qty |
|-----|--------------|-------------------------------|---------|-------|------|-----|
| 1 | 22962054 | THREAD TENSION ASM. | | | | 1 |
| 2 | 22962005 | THREAD TENSION SPRING | | * | | 1 |
| 3 | B1114012000 | THREAD GUIDE PIN | | | | 1 |
| 4 | B1505552000A | PRESSER SPRING | | | | 1 |
| 5 | 11320801 | NEEDLE BAR | | | | 1 |
| 6 | B1524041EB0 | PRESSER FOOT ASM. | | | | 1 |
| 7 | 11322203 | FEED DOG, H | | | | 1 |
| 8 | B1418415H00 | NEEDLE BAR THREAD GUIDE | | | | 1 |
| 9 | MDB100B2100 | NEEDLE DBX1 #21 | | | | 1 |
| 10 | B1109415H0B | THROAT PLATE (H) | | | | 1 |
| 11 | 11091709 | POSITIONING FINGER | | | | 1 |
| 12 | 11326451 | FEED DIAL ASM. | | | | 1 |
| 13 | 11091006 | ARM THREAD GUIDE (HA) | | | | 1 |
| 14 | D1837415DAL | BOBBIN CASE ASM. | | | | 1 |
| 15 | 11321452 | LUBRICATING BOBBIN ASM. | | | | 1 |
| 16 | SS6121050SP | SCREW 3/16-28 L= 9.5 | | | | 1 |
| 17 | B1226552000 | ROLLER FELT | | | | 1 |
| 18 | 11324209 | THRUST COLLAR | | | | 1 |
| 19 | 11324100 | ROCKER SHAFT CONNECTING ROD | | | | 1 |
| 20 | B1213552000A | OIL ADJUSTING PIN | | | | 1 |
| 21 | MC200501400 | NEEDLE 134 140 | FOR JE | | | 1 |
| 22 | 11404753 | OIL SEAL SCREW | | | | 1 |
| 23 | 11404704 | OIL WICK | | * | | 1 |
| 24 | 11324050 | FEED DRIVE ECCENTRIC CAM ASM. | | | | 1 |
| 25 | 11324001 | FEED DRIVE ECCENTRIC CAM | | * | | 1 |
| 26 | SS6661110SP | SCREW 1/4-40 L=11 | | * | | 2 |

LIST FOR INFORMATION OF CHANGE

As to the place changed, refer to the corresponding Rev.No.
When previous parts(Obsoleted part)and new parts(Added parts)are
not interchangeable with each other:
In this case,even obsoleted parts(D.)can be ordered with the
obsoleted part number,so select the parts with changed dates and
place your orders.

変更箇所は、該当Rev.No.版をご参照ください。
部品の互換性がない変更の場合は、削除された品番でも、ご注文できます。
29135605

No.0904-07 Rev.No.

*A:Added parts追加部品/D:Obsoleted parts削除部品/E:Erratum訂正

| * No. | Rev. No. | Page 頁 | Ref. No. | Parts No. 品番 | * No. | Rev. No. | Page 頁 | Ref. No. | Parts No. 品番 | |
|----------|-------------|-----------|-------------|-----------------|---------------|-------------|-----------|-------------|-----------------|---------------|
| | D | 06 | 2 | 47 | 113-05513 | A | 07 | 2 | 47 | 229-72608 |
| | D | 06 | 6 | 27 | CS-079101A-SH | A | 07 | 6 | 27 | 229-17157 |
| | D | 06 | 6 | 34 | CS-079073A-SH | A | 07 | 6 | 34 | 229-17058 |
| | D | 06 | 10 | 1 | 113-02106 | A | 07 | 10 | 1 | 229-71105 |
| | D | 06 | 10 | 5 | 110-11509 | A | 07 | 10 | 5 | 229-11705 |
| | | | | | | A | 07 | 10 | 11 | 400-81220 |
| | D | 06 | 10 | 15 | 110-14008 | A | 07 | 10 | 15 | 229-15003 |
| | D | 06 | 10 | 24 | 113-03005 | A | 07 | 10 | 24 | 229-10707 |
| | D | 06 | 10 | 25 | 113-02908 | A | 07 | 10 | 25 | 229-10608 |
| | D | 06 | 10 | 61 | 110-10709 | A | 07 | 10 | 61 | 229-12802 |
| | D | 06 | 17 | 1 | 110-76650 | A | 07 | 17 | 1 | 229-33451 |
| | D | 06 | 17 | 2 | 110-76601 | A | 07 | 17 | 2 | 229-33402 |
| | D | 06 | 17 | 3 | 110-76700 | A | 07 | 17 | 3 | 229-33501 |
| | D | 06 | 17 | 4 | 110-76858 | A | 07 | 17 | 4 | 229-33659 |
| | D | 06 | 17 | 5 | 110-76809 | A | 07 | 17 | 5 | 229-33600 |
| | D | 06 | 17 | 6 | 110-76957 | A | 07 | 17 | 6 | 229-33758 |
| | D | 06 | 17 | 7 | 110-23504 | A | 07 | 17 | 7 | 229-33907 |
| | D | 06 | 17 | 8 | 110-25202 | A | 07 | 17 | 8 | 229-34004 |
| | D | 06 | 18 | 15 | 229-31208 | | | | | |
| | | | | | | A | 07 | 18 | 15 | 229-30556 |
| | | | | | | A | 07 | 19 | 20 | 113-22401 |
| | | | | | | A | 07 | 19 | 21 | SS-6661110-SP |
| | | | | | | A | 07 | 20 | 24 | 113-24050 |
| | | | | | | A | 07 | 20 | 26 | SS-6661110-SP |
| | | | | | | | | | | |
| | | | | | | | | | | |
| | | | | | | | | | | |
| | | | | | | | | | | |
| | | | | | | | | | | |
| | | | | | | | | | | |
| | | | | | | | | | | |
| | | | | | | | | | | |
| | | | | | | | | | | |
| | | | | | | | | | | |
| | | | | | | | | | | |
| | | | | | | | | | | |
| | | | | | | | | | | |

HOW TO MAKE USE OF THIS PARTS LIST

1.Explanation of codes

1)"*"mark.....means this part is changed from the previous parts book.

As to the details of the change, refer to the "List for information of change".

2)"#01".....refer to "Note" explanation at bottom of page.

2.Codes on the "Qty" column

- Each numeral indicates the number of parts required.
- "0.1" and "2.5" indicate the length (in meters) of the respective parts.

3.Parentheses mean that the corresponding part is a subpart that constructs an assembly part.

4.Dotted lines on the Figures indicate assembly parts.

1."注記"欄の記号説明

1) "*"印.....前回のパーツブックに比較して今回変更された部品を意味します。

変更内容は、"変更情報リスト"を参照してください。

2) "#01".....ページ下の"注記"の説明を参照してください。

2.数量欄の数字は、個数を表し、0.1、2.5等の数値は、長さ（単位メートル）を表します。

3.数量欄の（ ）は、組部品を構成している子部品であることを意味します。

4.イラストページの-----枠は、組構成であることを意味します。

NUMERICAL INDEX OF PARTS

| PART NO | PAGE | REF NO. | PART NO | PAGE | REF NO. | PART NO | PAGE | REF NO. |
|----------|------|---------|----------|------|---------|----------|------|---------|
| 11002409 | 6 | 20 | 11302353 | 6 | 16 | 22901250 | 2 | 42 |
| 11002508 | 6 | 21 | 11302411 | 12 | 12 | 22901300 | 2 | 44 |
| 11002904 | 6 | 28 | 11302502 | 12 | 40 | 22901805 | 4 | 56 |
| 11003308 | 2 | 10 | 11302619 | 14 | 67 | 22901904 | 4 | 54 |
| 11004207 | 8 | 24 | 11303161 | 12 | 26 | 22903009 | 6 | 31 |
| 11005204 | 6 | 7 | 11303328 | 12 | 4 | 22903108 | 6 | 15 |
| 11006350 | 10 | 11 | 11303567 | 16 | 25 | 22903157 | 6 | 10 |
| 11006905 | 10 | 12 | 11303807 | 16 | 19 | 22903900 | 6 | 32 |
| 11015807 | 8 | 25 | 11303906 | 16 | 24 | 22904155 | 6 | 23 |
| 11015906 | 8 | 37 | 11304003 | 16 | 2 | 22905004 | 8 | 21 |
| 11017357 | 6 | 2 | 11304151 | 16 | 28 | 22905103 | 8 | 22 |
| 11023017 | 20 | 2 | 11304201 | 16 | 13 | 22906457 | 8 | 4 |
| 11024304 | 20 | 26 | 11304300 | 16 | 15 | 22907406 | 10 | 26 |
| 11024700 | 20 | 3 | 11304409 | 16 | 1 | 22907505 | 10 | 23 |
| 11038759 | 26 | 14 | 11305000 | 12 | 17 | 22907554 | 10 | 22 |
| 11039062 | 6 | 5 | 11305653 | 10 | 15 | 22907604 | 10 | 24 |
| 11039070 | 6 | 4 | 11305703 | 10 | 37 | 22907703 | 10 | 25 |
| 11047057 | 20 | 1 | 11305901 | 10 | 16 | 22907802 | 10 | 1 |
| 11047107 | 20 | 4 | 11306107 | 10 | 14 | 22908552 | 10 | 4 |
| 11071362 | 6 | 29 | 11307006 | 18 | 29 | 22908909 | 10 | 38 |
| 11091006 | 26 | 13 | 11307154 | 18 | 4 | 22910103 | 6 | 34 |
| 11091006 | 28 | 13 | 11307352 | 18 | 8 | 22910608 | 12 | 25 |
| 11091709 | 26 | 11 | 11320801 | 26 | 5 | 22910707 | 12 | 24 |
| 11091709 | 28 | 11 | 11320801 | 28 | 5 | 22910806 | 12 | 27 |
| 11202306 | 6 | 27 | 11321452 | 26 | 15 | 22910905 | 12 | 23 |
| 11205309 | 10 | 20 | 11321452 | 28 | 15 | 22911002 | 12 | 37 |
| 11205408 | 10 | 19 | 11322203 | 26 | 7 | 22911101 | 12 | 13 |
| 11210903 | 16 | 10 | 11322203 | 28 | 7 | 22911705 | 12 | 5 |
| 11211000 | 16 | 4 | 11322401 | 26 | 20 | 22911804 | 12 | 7 |
| 11214509 | 16 | 22 | 11322450 | 26 | 19 | 22912000 | 12 | 9 |
| 11221504 | 18 | 25 | 11324001 | 28 | 25 | 22912109 | 12 | 8 |
| 11222007 | 18 | 26 | 11324050 | 28 | 24 | 22912752 | 14 | 62 |
| 11300308 | 2 | 37 | 11324100 | 28 | 19 | 22912802 | 14 | 61 |
| 11300407 | 2 | 3 | 11324209 | 28 | 18 | 22912901 | 12 | 36 |
| 11300506 | 2 | 2 | 11325750 | 2 | 1 | 22913008 | 14 | 48 |
| 11300605 | 2 | 4 | 11326204 | 12 | 10 | 22915003 | 12 | 15 |
| 11300902 | 6 | 25 | 11326303 | 26 | 12 | 22915151 | 12 | 42 |
| 11301009 | 8 | 2 | 11326451 | 28 | 12 | 22915201 | 12 | 45 |
| 11301108 | 8 | 3 | 11385127 | 12 | 6 | 22915359 | 14 | 65 |
| 11301355 | 10 | 27 | 11404704 | 28 | 23 | 22916001 | 8 | 29 |
| 11301405 | 10 | 28 | 11404753 | 28 | 22 | 22916100 | 8 | 32 |
| 11301603 | 10 | 9 | 22900401 | 2 | 9 | 22916407 | 8 | 30 |
| 11301652 | 10 | 7 | 22900609 | 2 | 21 | 22916506 | 8 | 38 |
| 11301702 | 10 | 5 | 22901003 | 2 | 46 | 22916555 | 8 | 36 |
| 11302304 | 6 | 18 | 22901201 | 2 | 43 | 22917058 | 8 | 34 |

NUMERICAL INDEX OF PARTS

| PART NO | PAGE | REF NO. | PART NO | PAGE | REF NO. | PART NO | PAGE | REF NO. |
|----------|------|---------|----------|------|---------|--------------|------|---------|
| 22917157 | 8 | 27 | 22930556 | 24 | 15 | 22971105 | 12 | 1 |
| 22919203 | 6 | 3 | 22930705 | 24 | 7 | 22971204 | 12 | 2 |
| 22920508 | 2 | 19 | 22930804 | 24 | 5 | 22971550 | 12 | 19 |
| 22920607 | 2 | 38 | 22930903 | 24 | 4 | 22971857 | 12 | 34 |
| 22920706 | 2 | 18 | 22931000 | 24 | 3 | 22972608 | 2 | 47 |
| 22921001 | 2 | 20 | 22931109 | 24 | 2 | 40017805 | 10 | 31 |
| 22921209 | 2 | 30 | 22931307 | 24 | 11 | 40060989 | 10 | 32 |
| 22921308 | 2 | 25 | 22931406 | 24 | 8 | 40081220 | 12 | 11 |
| 22921407 | 2 | 26 | 22932107 | 20 | 8 | B1109415H0B | 26 | 10 |
| 22921506 | 2 | 29 | 22932156 | 20 | 7 | B1109415H0B | 28 | 10 |
| 22921605 | 2 | 31 | 22932206 | 20 | 11 | B1114012000 | 28 | 3 |
| 22921704 | 2 | 27 | 22932305 | 20 | 17 | B1213552000A | 26 | 17 |
| 22921803 | 2 | 28 | 22932404 | 20 | 14 | B1213552000A | 28 | 20 |
| 22923007 | 18 | 11 | 22932453 | 20 | 13 | B1215552000 | 6 | 26 |
| 22923056 | 18 | 9 | 22932503 | 2 | 14 | B1226552000 | 26 | 16 |
| 22923205 | 18 | 14 | 22932552 | 2 | 13 | B1226552000 | 28 | 17 |
| 22923304 | 18 | 10 | 22932602 | 2 | 15 | B13050120A0 | 8 | 12 |
| 22923403 | 18 | 16 | 22932701 | 2 | 16 | B13061550A0 | 8 | 14 |
| 22923502 | 18 | 18 | 22932909 | 8 | 26 | B13061550B0 | 8 | 11 |
| 22923601 | 18 | 17 | 22933402 | 22 | 2 | B13061550C0 | 8 | 10 |
| 22923700 | 18 | 12 | 22933451 | 22 | 1 | B13071550A0 | 8 | 17 |
| 22923809 | 18 | 15 | 22933501 | 22 | 3 | B13071550B0 | 8 | 16 |
| 22923908 | 18 | 19 | 22933600 | 22 | 5 | B13081550A0 | 8 | 19 |
| 22924005 | 18 | 23 | 22933659 | 22 | 4 | B1408552000 | 6 | 8 |
| 22924609 | 18 | 24 | 22933758 | 22 | 6 | B1412352B00 | 16 | 5 |
| 22924708 | 18 | 1 | 22933907 | 22 | 7 | B1414226000 | 8 | 6 |
| 22924807 | 18 | 31 | 22934004 | 22 | 8 | B1418415H00 | 26 | 8 |
| 22924906 | 18 | 7 | 22934202 | 20 | 22 | B1418415H00 | 28 | 8 |
| 22925002 | 18 | 6 | 22934251 | 20 | 19 | B1418552A00 | 8 | 8 |
| 22927305 | 22 | 25 | 22934301 | 20 | 23 | B1505552000A | 26 | 4 |
| 22927354 | 22 | 13 | 22934400 | 20 | 21 | B1505552000A | 28 | 4 |
| 22927404 | 22 | 26 | 22934509 | 20 | 25 | B1521555000 | 10 | 2 |
| 22927602 | 22 | 27 | 22934608 | 20 | 20 | B1524041EB0 | 26 | 6 |
| 22928105 | 22 | 22 | 22934707 | 20 | 15 | B1524041EB0 | 28 | 6 |
| 22928303 | 22 | 21 | 22940654 | 14 | 52 | B1636581C00 | 14 | 49 |
| 22928402 | 22 | 20 | 22940803 | 12 | 30 | B18304150A0 | 8 | 23 |
| 22928501 | 22 | 14 | 22945307 | 2 | 32 | B18370120A0 | 8 | 33 |
| 22928709 | 22 | 29 | 22945356 | 2 | 24 | B1903552000 | 6 | 9 |
| 22928808 | 22 | 18 | 22958300 | 26 | 3 | B1905541B00 | 6 | 6 |
| 22928907 | 22 | 16 | 22962005 | 28 | 2 | B2906415000 | 16 | 6 |
| 22929004 | 22 | 17 | 22962054 | 26 | 1 | B31334150A0 | 4 | 48 |
| 22930309 | 24 | 14 | 22962054 | 28 | 1 | B3136415000 | 4 | 49 |
| 22930358 | 24 | 1 | 22962055 | 26 | 2 | B3536122000 | 18 | 5 |
| 22930408 | 24 | 10 | 22967202 | 14 | 60 | B8228125000 | 20 | 27 |
| 22930507 | 24 | 9 | 22970602 | 12 | 35 | BT0600402EA | 18 | 3 |

NUMERICAL INDEX OF PARTS

| PART NO | PAGE | REF NO. | PART NO | PAGE | REF NO. | PART NO | PAGE | REF NO. |
|-------------|------|---------|-------------|------|---------|-------------|------|---------|
| CM300200001 | 4 | 55 | SE4301041SR | 18 | 13 | SS7091110TP | 10 | 33 |
| CM301300001 | 4 | 57 | SK3412000SC | 22 | 30 | SS7110350SP | 22 | 19 |
| CQ252000000 | 18 | 30 | SL4030851SF | 18 | 20 | SS7110740TP | 14 | 50 |
| CS064061ASP | 10 | 35 | SM4051405SE | 24 | 12 | SS7111120SP | 14 | 66 |
| CS120101BSH | 16 | 8 | SM6061610SC | 24 | 6 | SS7121410SP | 16 | 29 |
| CS147121ASH | 12 | 57 | SM8063012TR | 20 | 10 | SS7121410TP | 12 | 53 |
| CS147121ASH | 14 | 57 | SM9061203SE | 20 | 24 | SS7121410TP | 14 | 53 |
| D1524415BBC | 10 | 34 | SM9062563TR | 20 | 16 | SS7121610SP | 12 | 43 |
| D1609415B00 | 12 | 31 | SQ1150501SD | 18 | 28 | SS7620750SP | 14 | 69 |
| D1837415DAL | 28 | 14 | SS1120710SP | 2 | 5 | SS7681650TP | 6 | 14 |
| MC200500900 | 8 | 39 | SS2110920TP | 2 | 35 | SS8090670SP | 2 | 33 |
| MC200501400 | 26 | 18 | SS4080620TP | 12 | 32 | SS8110310SP | 16 | 26 |
| MC200501400 | 28 | 21 | SS4090615SP | 6 | 19 | SS8110410TP | 8 | 35 |
| MDB100B1400 | 8 | 9 | SS4110515SP | 22 | 15 | SS8110510SP | 22 | 28 |
| MDB100B2100 | 26 | 9 | SS4110915TP | 8 | 31 | SS8120740SP | 16 | 21 |
| MDB100B2100 | 28 | 9 | SS4120615SP | 2 | 23 | SS8150710TP | 2 | 34 |
| NM6050001SE | 24 | 17 | SS4120615SP | 18 | 33 | SS8150710TP | 12 | 28 |
| NM6060001SE | 20 | 18 | SS4120915SP | 2 | 8 | SS8151150TP | 6 | 1 |
| NM6160511SE | 24 | 18 | SS4120915SP | 8 | 40 | SS8151550SP | 6 | 30 |
| NS6090310SP | 4 | 53 | SS4121015SP | 2 | 41 | SS8660410SP | 16 | 9 |
| NS6150310SP | 16 | 14 | SS4121415SP | 22 | 9 | SS8660610TP | 6 | 24 |
| NS6150430SP | 16 | 17 | SS4150915SP | 18 | 22 | SS8660610TP | 10 | 30 |
| NS6680410SP | 12 | 39 | SS6060210SP | 2 | 45 | SS8660610TP | 12 | 58 |
| RC0150001KP | 12 | 51 | SS6080340SP | 18 | 27 | SS8660610TP | 14 | 58 |
| RC0150001KP | 14 | 51 | SS6090560TP | 12 | 3 | SS8660810TP | 8 | 20 |
| RC1850001KP | 6 | 22 | SS6090620TP | 12 | 38 | SS8661030SP | 14 | 63 |
| RE0300000K0 | 10 | 29 | SS6090660TP | 16 | 7 | SS8661040TP | 14 | 64 |
| RE0500000K0 | 10 | 13 | SS6090670TP | 8 | 5 | SS8681130SP | 12 | 41 |
| RE0500000K0 | 12 | 21 | SS6090810TP | 16 | 23 | SS8681650TP | 6 | 11 |
| RE1000000K0 | 20 | 12 | SS6110420TP | 8 | 28 | SS9661120CP | 14 | 55 |
| RO029180100 | 6 | 33 | SS6110610TP | 2 | 39 | TA0850604R0 | 2 | 50 |
| RO037180100 | 10 | 3 | SS6110640SP | 16 | 27 | TA0850604R0 | 4 | 50 |
| RO044240100 | 6 | 13 | SS6111010TP | 18 | 21 | TA1250406R0 | 2 | 40 |
| RO078190100 | 14 | 59 | SS6121050SP | 28 | 16 | TA1250504R0 | 2 | 51 |
| RO092270200 | 12 | 16 | SS6121220TP | 16 | 3 | TA1250504R0 | 4 | 51 |
| RO098240100 | 20 | 6 | SS6121610SP | 16 | 20 | TA1250705R0 | 2 | 7 |
| RO195240100 | 18 | 2 | SS6121860SP | 14 | 70 | TA1250804R0 | 8 | 1 |
| SB309000400 | 16 | 18 | SS6151220SP | 14 | 56 | TA2000502R0 | 2 | 11 |
| SD0380552SL | 2 | 17 | SS6661110SP | 6 | 17 | TA2101002R0 | 2 | 52 |
| SD0490261SP | 22 | 23 | SS6661110SP | 26 | 21 | TA2101002R0 | 4 | 52 |
| SD0600322SD | 10 | 18 | SS6661110SP | 28 | 26 | WP0450826SC | 22 | 31 |
| SD0640261SP | 10 | 6 | SS6700710SH | 20 | 5 | WP0480856SP | 14 | 54 |
| SD0720331SP | 10 | 21 | SS7080510TP | 8 | 7 | WP0501016SD | 22 | 10 |
| SD0790501SP | 16 | 12 | SS7081310SP | 22 | 24 | WP0621016SD | 16 | 16 |
| SD1000801SH | 12 | 44 | SS7090620TP | 10 | 36 | WP0650876SD | 10 | 8 |

NUMERICAL INDEX OF PARTS

| PART NO | PAGE | REF NO. |
|-------------|------|---------|
| WP0702026SP | 12 | 22 |
| WP1612616SE | 24 | 19 |
| WS0510002KN | 24 | 16 |
| WS1643202KR | 24 | 20 |
| WZ1250300K0 | 14 | 68 |