

**Tape Cutting Device for MH-481**

**AT - 8**

**PARTS LIST**

---



INSTALLATION MANUAL & PARTS BOOK

FOR

AT-8 TAPE CUTTING DEVICE FOR MH-481

1) 10mm

2) 20 mm

Installation.

1. Replace the following components of the machine head;

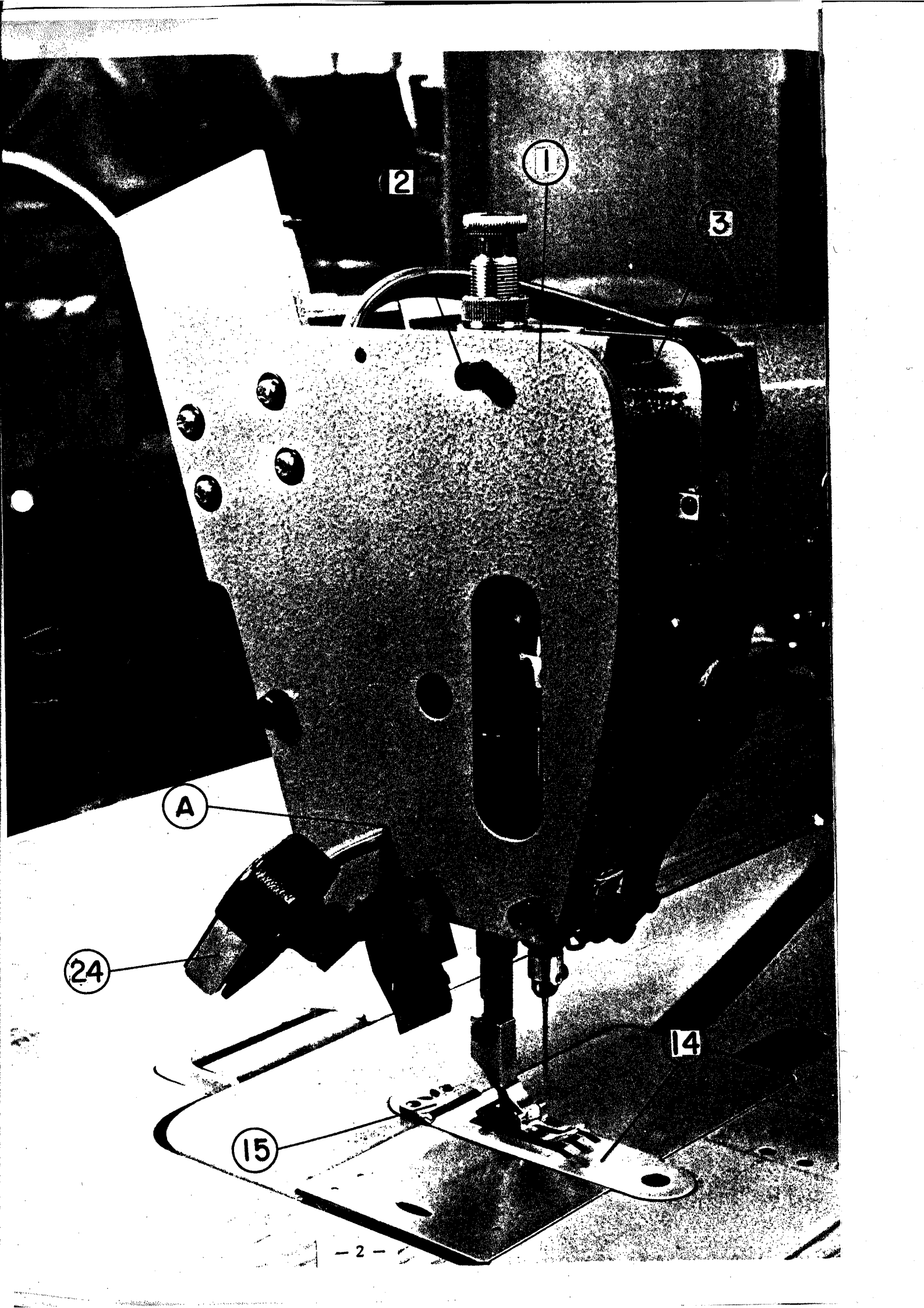
Machine arm components : Face plate, packing and presser lifter  
lever.

Machine bed components : Throat plate.

2. Installing the tape cutting device in the machine.

Put the face plate packing (3) onto the cutter mounting base (1)  
and attach them together to the face of the machine arm by tightening  
the screw (2) firmly. Install the special face plate (4) for the  
tape cutting device by means of the fastening screw (22) .

- o Insert the knife driving shaft (6) , knife driving shaft cushion (7) ,  
spring (8) and knife connection (9) into the bearing (5) and fix  
them temporarily together with the knife connection guide (10) .



2

1

3

A

24

15

14



18

13

20

11

DUKI

12

25

9

6

5

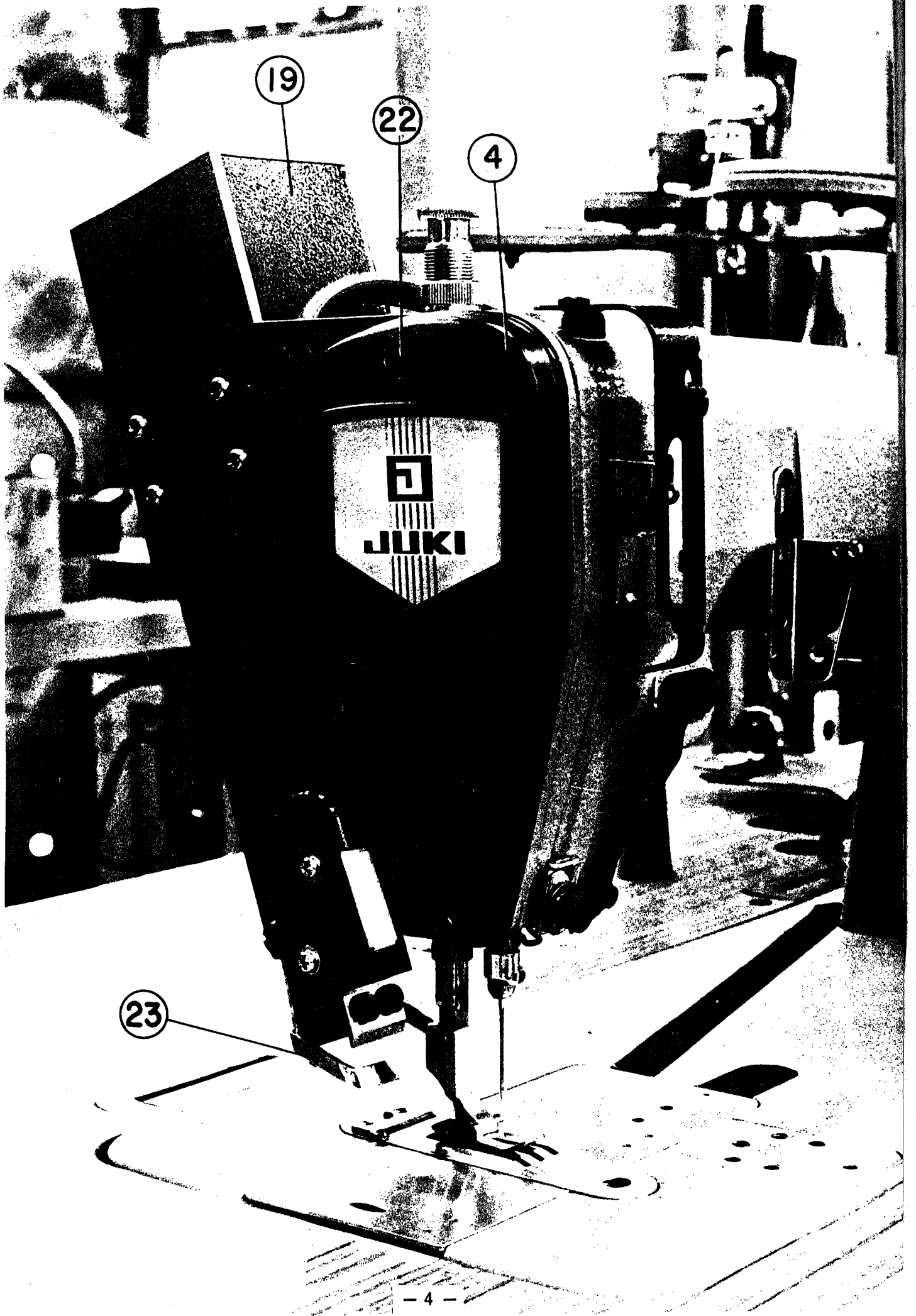
7

10

8

16

17



19

22

4

**JUKI**

23

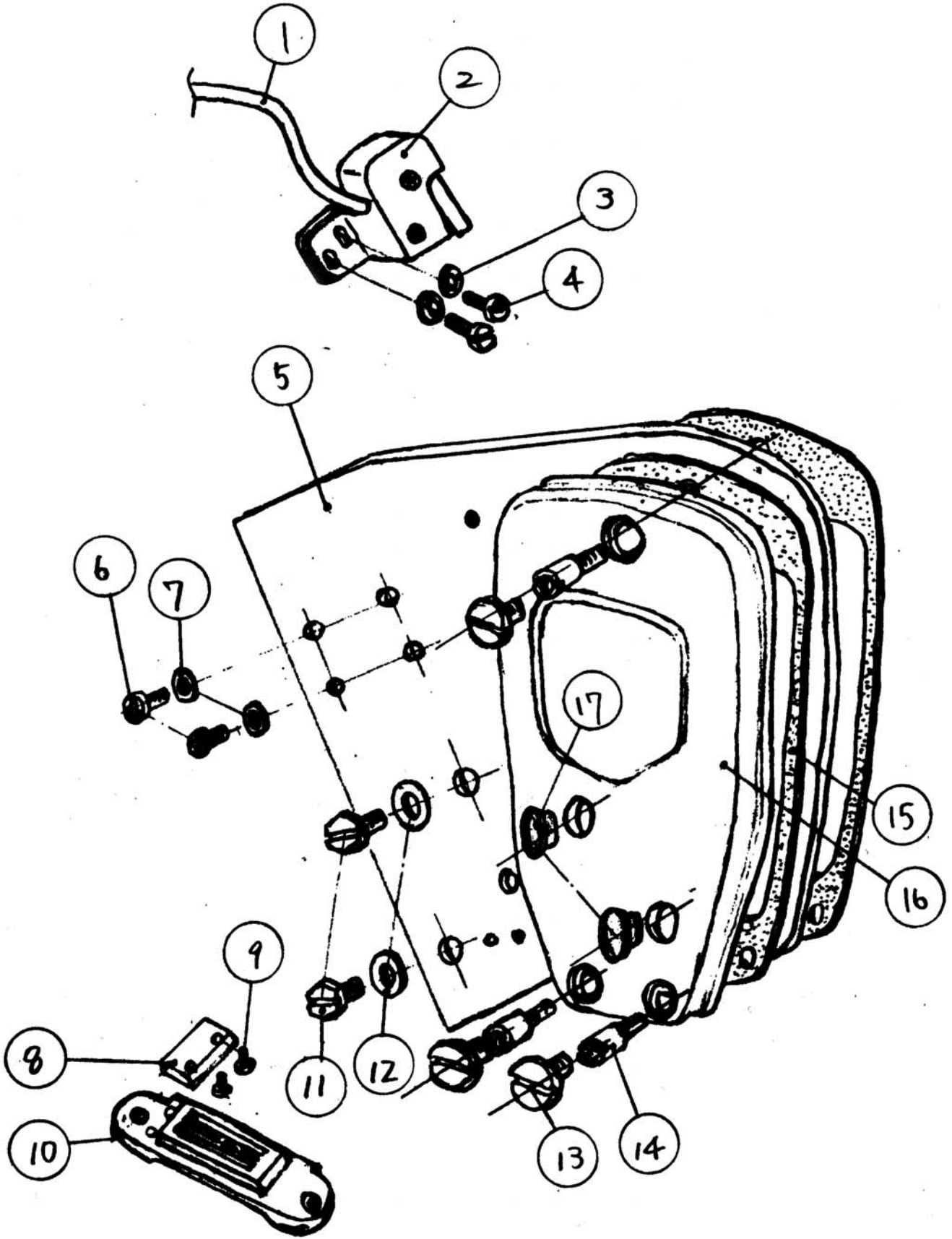
- o Install the solenoid magnet (11) in the cutter mounting base so that the plunger of the magnet has a stroke of 20 mm by positioning the double lock nuts (12) and, at the same time, insert the end of the plunger (13) into the upper hole on the driving shaft bearing (25) .
- o Attach the counter plate (15) to the special throat plate (14) for the tape cutting device and install them to the machine bed.
- o Install the knife mounting base (16) under the knife driving shaft (6) and attach the upper knife (17) . Align the knife in parallel and tighten the knife connection (9) so that the knife connection guide (10) does not have any play.
- o Put the electric cord (18) into the guide groove and install the cover (19) . Attach the micro switch (24) to the bottom of the cutter mounting base, pass the cord through the hole (A) and fasten it by the cord holder (20) together with the cord (18) from the solenoid magnet. Fix the bundled cords to the rear of the machine by means of another cord holder (20) and the screw (B) and then bring them towards the rear face of the machine table.

#### Installing the knife.

Install the knife with its sharpened side facing to the operator and with care that the blade is accurately positioned in parallel with the mating surface of the counter plate (15) .

Attach the knife cover (23) .

PARTS BOOK FOR AT-8 (10 mm)----- (1)





## PARTS BOOK FOR AT-8 (10mm) .....(1)

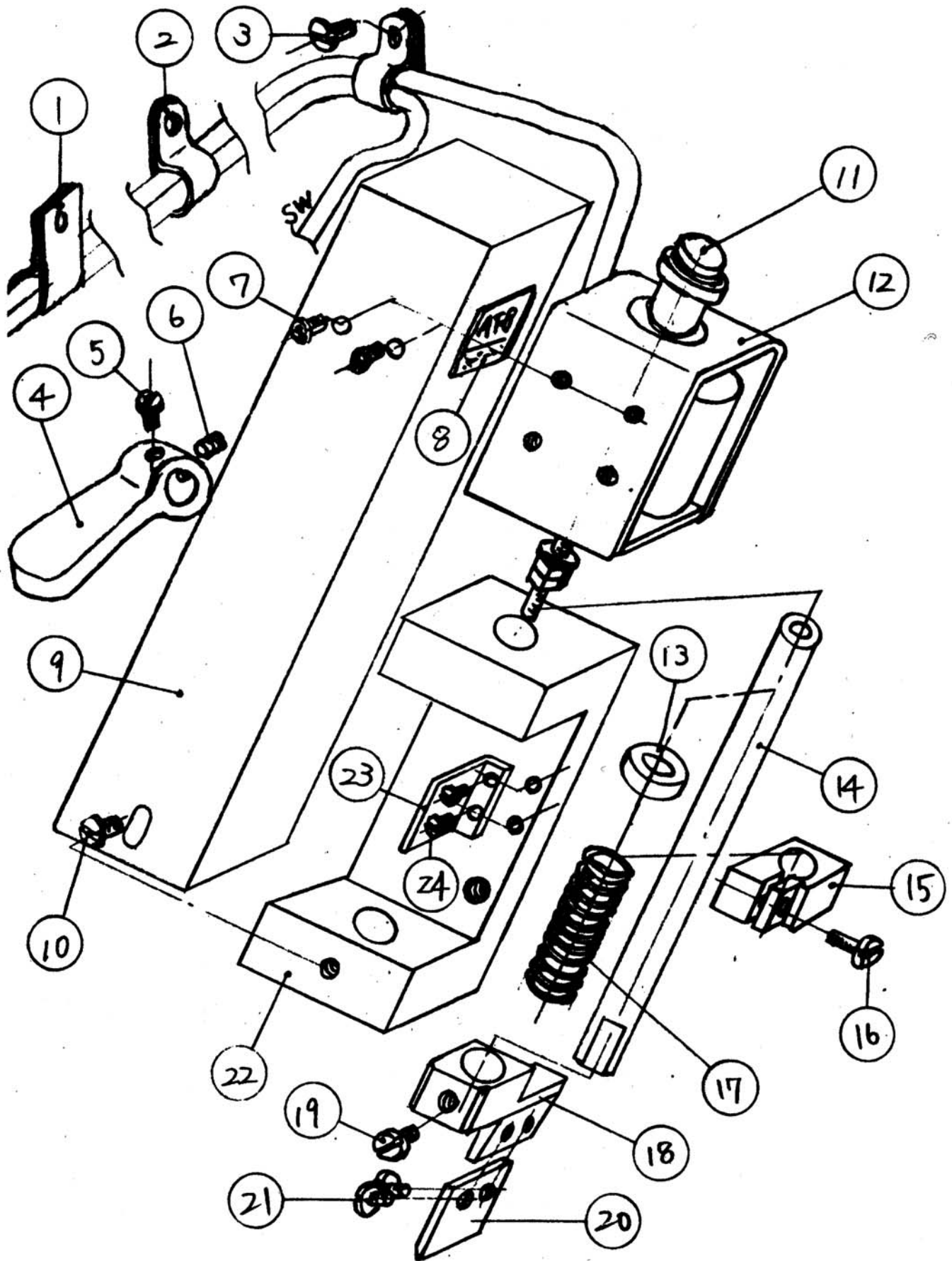
Ref. No.	Part No.	Description	Amt. Req.	Remarks
1	GAT08016000	Micro switch cord	1	
2	GAT080120A0	Micro switch (asm.)	1S	
3	WP0370316SD	... Washer	2	
4	SS7090850SP	... Screw	2	
5	GAT08004000	Cutter mounting base	1	
6	SM4051001SB	Solenoid magnet screw	4	
7	WP0480856SP	... Washer	4	
8	GAT08003000	Cunter plate	1	
9	SS7060610SP	... Screw	2	
10	B1103380DOB	Throat plate, 3/16	1	
11	SS9151120SP	Knife driving shaft pedestal screw	2	
12	WP065056SD	... Washer	2	
13	SS7110570SP	Face plate screw	3	
14	GAT08010000	Face plate intermediate screw	3	
15	B1122552000	Face plate gasket	2	
16	GAT08011000	Face plate	1	
17	B1179552000	Face plate rubber plug	2	

MH 382

金板 B1103-382-00C



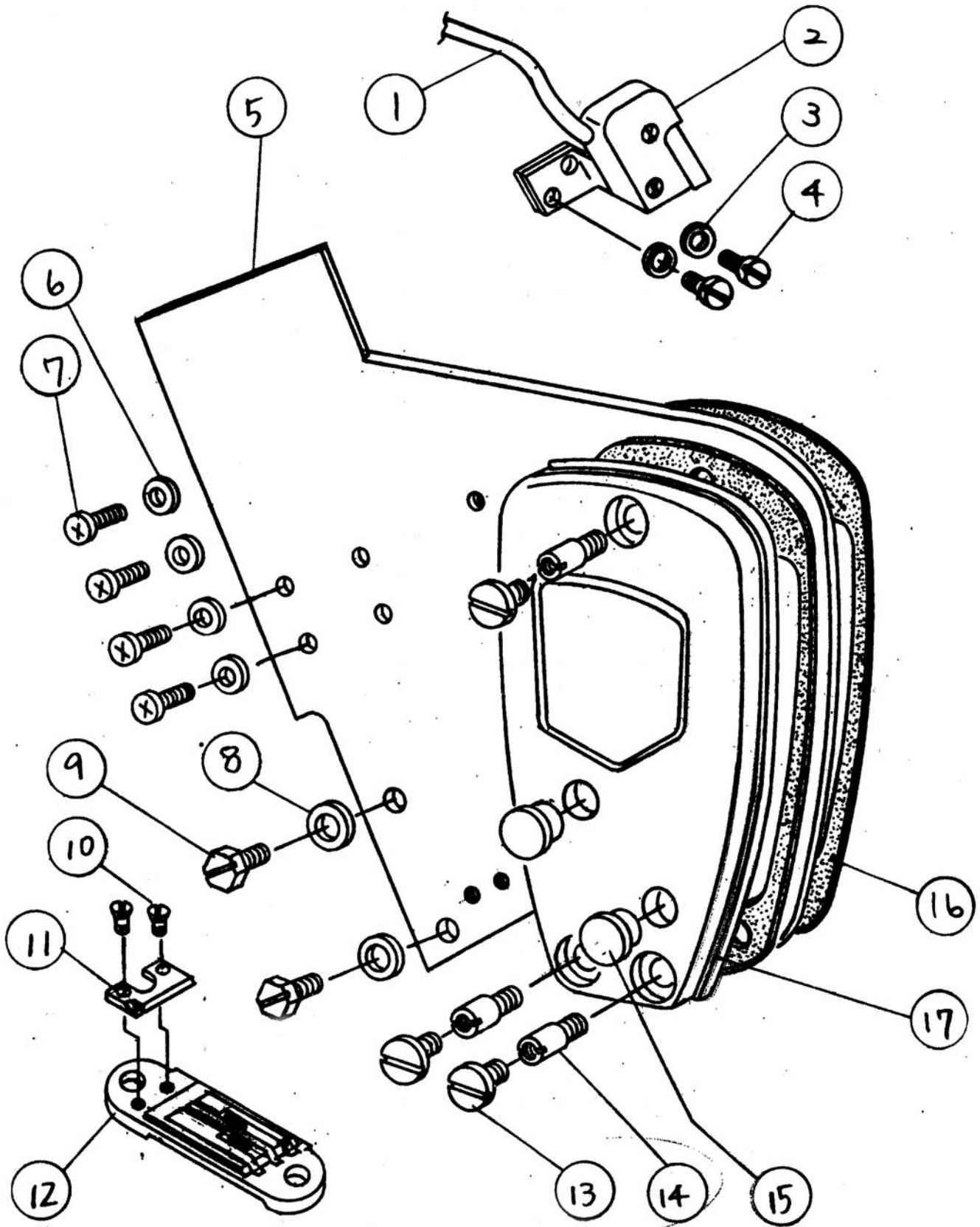
PARTS BOOK FOR AT-8 (10mm)----(2)



## PARTS BOOK FOR AT-8 (10mm).....(2)

Ref. No.	Part No.	Description	Amt. Req.	Remarks
1	D2112555B00	Cord hanger	1	
2	E4054001000	Cord holder	2	
3	SS7110510SP	... Screw	1	
4	GAT08024000	Lifting lever	1	
5	SS7120910SP	... Screw B	1	
6	SS8120740SP	... Screw B	1	
7	SM4040601SB	Solenoid magnet cover screw B	2	
8	GAT08020000	Name plate	1	
9	GAT08005000	Solenoid magnet cover	1	
10	SS7110510SP	... Screw A	1	
11	GAT08018000	Plunger	1	
12	GAT080170A0	Solenoid magnet (asm.)	1s	
13	E5025001000	Knife driving shaft cushion	1	
14	GAT08006000	Knife driving shaft	1	
15	GAT08008000	Knife driving shaft connection	1	
16	SS7111410SP	... Screw	1	
17	MAT80113T00	... Spring	1	
18	GAT08019000	Knife mounting base	1	
19	SS8660610TP	... Screw	1	
20	GAT08002000	Upper knife	1	
21	SS7090610SP	... Set screw	2	
22	GAT08007000	Knife driving shaft pedestal	1	
23	GAT08009000	Shaft connection guide	1	
24	SS4080610SP	... Screw	2	

PARTS BOOK FOR AT-8 (20mm)-----(1)

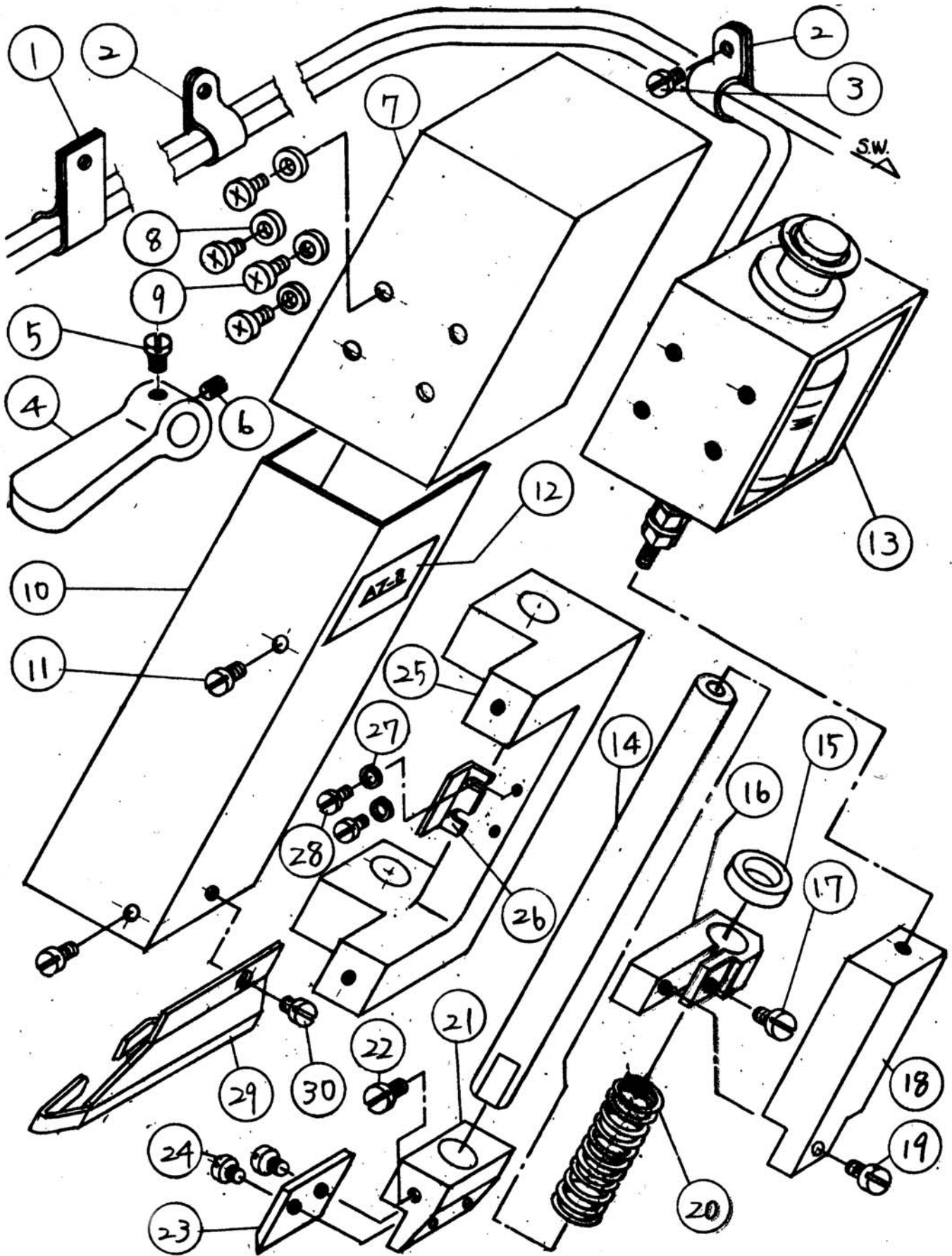


## PARTS BOOK FOR AT-8 (20mm).....(1)

Ref. No.	Part No.	Description	Amt. Req.	Remarks
1	GAT08016000	Micro switch cord	1	
X C (2)	GAT080120A0	Micro switch (asm.)	1s	
3	WP0370316SD	... Washer	2	
4	SS7090850SP	... Screw	2	
5	GAT0800400B	Cutter mounting base	1	
6	WP0450801SD	Solenoid magnet washer	4	
7	SM4040601SB	... Screw	4	
8	WP0651056SD	Knife driving shaft pedestal washer	2	
9	SS9151120SD	... Screw	2	
F (10) 2	SS2060510SP	Counter plate screw	2	
F (11)	GAT0800300B	Counter plate	1	
12	B1103380DOC	Throat plate, 3/16	1	
13	SS7110570SP	Face plate screw	3	
14	GAT08010000	Face plate intermediate screw	3	
15	B1179552000	Face plate rubber plug	2	
16	B1122552000	Face plate gasket	2	
17	GAT08011000	Face plate	1	

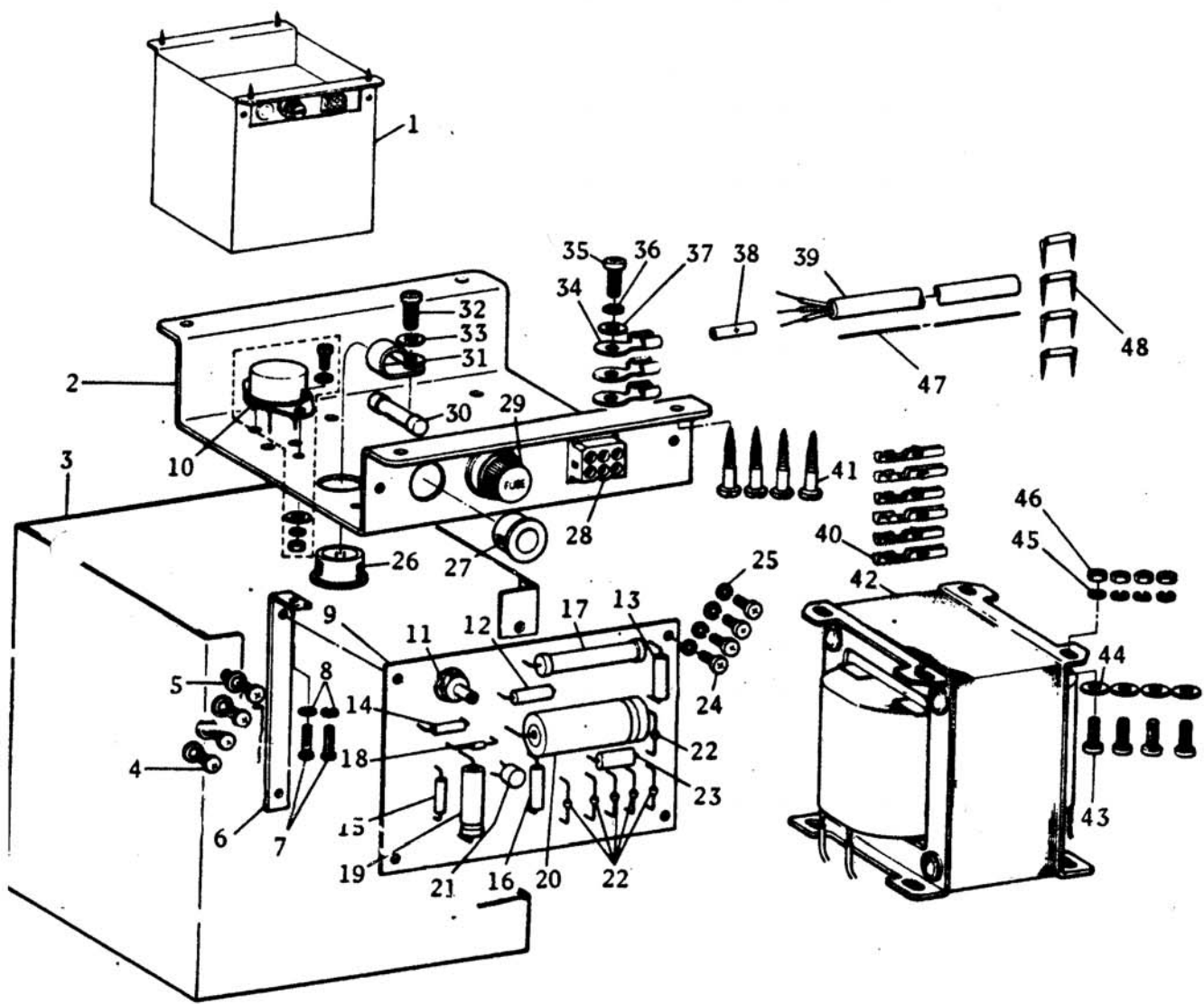
(F) B1103380DOC

PARTS BOOK FOR AT-8 (20mm)----- (2)



PARTS BOOK FOR AT-8 (20mm).....(2)

Ref. No.	Part No.	Description	Amt. Req.	Remarks
1	D2112555B00	Cord hanger	1	
2	E4054001000	Cord holder	2	
3	SS7110510SP	... Screw	1	
4	GAT08024000	Lifting lever	1	
5	SS7120910SP	... Screw B	1	
6	SS8120740SP	... Screw	1	
7	GAT0802100B	Solenoid magnet cover	1	
8	WP0450801SD	... Washer	4	
9	SM4040601SB	... Screw	4	
10	GAT0800500B	Pedestal cover	1	
11	SS7110510SP	... Screw	2	
12	GAT08020000	Name plate	1	
13	GAT080170AB	Solenoid magnet (asm.)	1s	
14	GAT0800600B	Knife driving shaft	1	
15	GAT08026000	... Cushion	1	
16	GAT0800800B	... Connection	1	
17	SS7111120SP	... Screw	1	
18	GAT08025000	Driving shaft actuator	1	
19	SS7111120SP	... Screw	1	
C 20	GAT08028000	Knife driving shaft spring	1	
21	GAT0801900B	Knife mounting base	1	
22	SS8660610TP	... Screw	1	
F 23	GAT0800200B	Upper knife	1	
F 24 2	SS7090610SP	... Set screw	2	
25	GAT0800700B	Knife driving shaft pedestal	1	
26	GAT0800900B	Shaft connection guide	1	
27	WP0330500MB	... Washer	2	
28	SS4080610SP	... Screw	2	
29	GAT08027000	Knife guard	1	
30	SS7110710SP	... Screw	1	





## PARTS BOOK FOR AT-8 (3)

Ref.No.	Part No.	Description	Amt. Req.	Remarks
1	MAT80157TAB	Control box (B) asm.	1	
2	MAT80153T00	Electric parts mounting base	(1)	
3	MAT80154T00	Control box cover	(1)	
4	SM-4040601-SB	... Screw	(4)	
5	WP-0450501-SB	... Washer	(4)	
6	MAT-80152T00	Printed wire board holder	(2)	
7	SM-4031001-SB	... Screw	(2)	
8	WS-0310602-SB	... Spring washer	(2)	
9	MAT-80145T00	Printed wire board	(1)	
C ⑩	HT-3X25150-P1	Power transistor 2SC558	(1)	
11	MAT-80141T00	Variable resistor 10K $\Omega$	(1)	
12	HR-2311402-61	Resistor 4K $\Omega$ /2W	(1)	
13	HR-231150P-61	Resistor 5 $\Omega$ 1/2W	(1)	
14	HR-2211501-61	Resistor 500 $\Omega$ 1/4W	(1)	
15	HR-2211102-61	Resistor 1K $\Omega$ 1/4W	(1)	
16	HR-2311101-61	Resistor 100 $\Omega$ 1/2W	(1)	
17	HR-4711102-61	Metal film resistor 1k $\Omega$ 7W	(1)	
D ⑪	HG-3551202-0S	Zener diode 02Z12A	(1)	
19	HC-B500J10-04	Electrolytic condenser 10 $\mu$ F 50V	(1)	
20	HC-B161V47-04	Electrolytic condenser 47 $\mu$ F 160V	(1)	
C ⑫	HT-3L11115-P1	Transistor 2SC484	(1)	
D ⑬	HG-2672011-7P	Diode V03C	(6)	
23	HC-L631V01-S2	Mylar condenser 0.01 $\mu$ F 630V	(1)	
24	SM-4030601-SB	Set screw, for printed wire board	(4)	
25	WP-0330501-SB	... Washer	(4)	
26	MAT-80148T00	Rubber bushing TB1116	(1)	
27	MAT-80147T00	Rubber bushing TB0813	(1)	
28	D6029-555-B0B	6-pole nylon receptacle	(1)	
29	MAT-80142T00	Fuse holder	(1)	
F ⑭	MAT-80143T00	Fuse 3A	(1)	

Ref.No.	Part No.	Description	Amt. Req.	Remarks
31	MAT-80159T00	Cord holder	(1)	
32	SM-4041001-SB	... Screw	(1)	
33	WP-0450501-SB	... Washer	(1)	
34	HP-1A43PGC-12	Terminal	(3)	
35	SM-4041001-SB	... Screw	(1)	
36	WS-0420802-SB	... Spring washer	(1)	
37	WP-0450501-SB	... Washer	(1)	
38	MAT-80158T00	Tube	(1)	
39	MAT-80151T00	Power source cord	(1)	
40	D6042-555-B00	Pin-shape terminal	(6)	
41	SK-3452000-SD	Electric parts mounting base set screw	(4)	
42	MAT-80146TOB	Transformer (B)	(1)	
43	SM-4041501-SB	... Screw	(4)	
44	WP-0450501-SB	... Washer	(4)	
45	WS-0420802-SB	... Spring washer	(4)	
46	NM-6040001-SB	... Nut	(4)	
47	HW-2F18S13-19	Electric wire	(2)	
48	MAO-11532000	Staple	(4)	

別紙

AT-8 完成品番一覧表

No.	完成品番	製品名	備考
1	GAT08000BBC	AT-8 1/ 8' 220V-440V	
2	GAT08000CBC	AT-8 5/32' 220V-440V	
3	GAT08000DBC	AT-8 3/16' 220V-440V	
4	GAT08000EBC	AT-8 7/32' 220V-440V	
5	GAT08000FBC	AT-8 1/ 4' 220V-440V	
6	GAT08000HBC	AT-8 5/16' 220V-440V	
7	GAT08000KBC	AT-8 3/ 8' 220V-440V	
8	GAT08000LBC	AT-8 1/ 2' 220V-440V	

1. AT-8は上記表の様にゲージサイズの違いで現在輸出仕様で8種類の完成品番が設定されております。  
違いは、針板のみです。上メス、メス受けは全て共通です。  
又、現在メス受け板は全て針板にネジが切つてあるタイプで止めます。
2. メス取付け台も現在は、1種類で全て共通です。品番:GAT0800400C
3. 注文は、上記表でゲージサイズに依り選択して下さい。

針板品番は B1103380\*0C  
\*印はゲージサイズです。

品番	品名	数	備考欄
B110338200C	針板	1	
B1103380B0C	針板 (1/8)	(1)	
B1103380C0C	針板 (5/32)	(1)	
B1103380D0C	針板 (3/16)	(1)	
B1103380E0C	針板 (7/32)	(1)	
B1103380F0C	針板 (1/4)	(1)	
B1103380H0C	針板 (5/16)	(1)	
B1103380K0C	針板 (3/8)	(1)	
B1103380L0C	針板 (1/2)	(1)	
B1222019000	メス軸クッション	2	
B1122552000	面板バッキン	1	
D2112555B00	中間コード押え金具	2	
GAT0800200B	上メス	3	
GAT0800300B	メス受け板	2	1ヶは補用(附属)
GAT0800400B	取付土台	1	デュパントホワイト樹脂 GAT0800400C
GAT0800500B	軸受カバー	1	
GAT0800600B	メス軸	1	
GAT0800700B	軸受	1	
GAT0800800B	抱キ	1	
GAT0800900C	抱キ案内	1	
GAT080120A0	スイッチ(組)	1	
GAT08013000	スイッチカバー	(1)	
GAT08014000	スイッチ取付板	(1)	
GAT08015000	スイッチ座	(1)	
GAT08016000	T, SWコード	(1)	
GAT080170AB	ソレノイド(組)	1	
GAT0801900B	メス取付台	1	
GAT08020000	型式板	1	
GAT08021000	ソレノイドカバー	1	
GAT08025000	作動軸受	1	
GAT08027000	メスカバー	1	
GAT08028000	モドシバネ	1	
GAT080290A0	押え上げレバー	1	



# JUKI®

**JUKI CORPORATION**  
INTERNATIONAL SALES DIVISION  
8-2-1, KOKURYO-CHO,  
CHOFU-SHI, TOKYO 182-8655  
JAPAN  
PHONE : 03(3430)4001~5  
FAX : 03(3430)4909 . 4914 . 4984  
TELEX : J22967

## JUKI 株式会社

〒182-8655 東京都調布市国領町8-2-1  
TEL. 03-3480-1111(代表)

国内営業本部  
TEL. 03-3480-1113(ダイヤルイン)

お買い求め、ご相談は  
To order or for further  
information,  
please contact :

※このパーツリストは商品改良のため予告なく変更する事があります。

\*The description covered in this parts list is subject to change for improvement of the commodity without notice.

※このパーツリストは、1998年6月 現在の商品仕様で編集したものです。

\*This parts list is edited in accordance with the product specifications as of June 1998.