

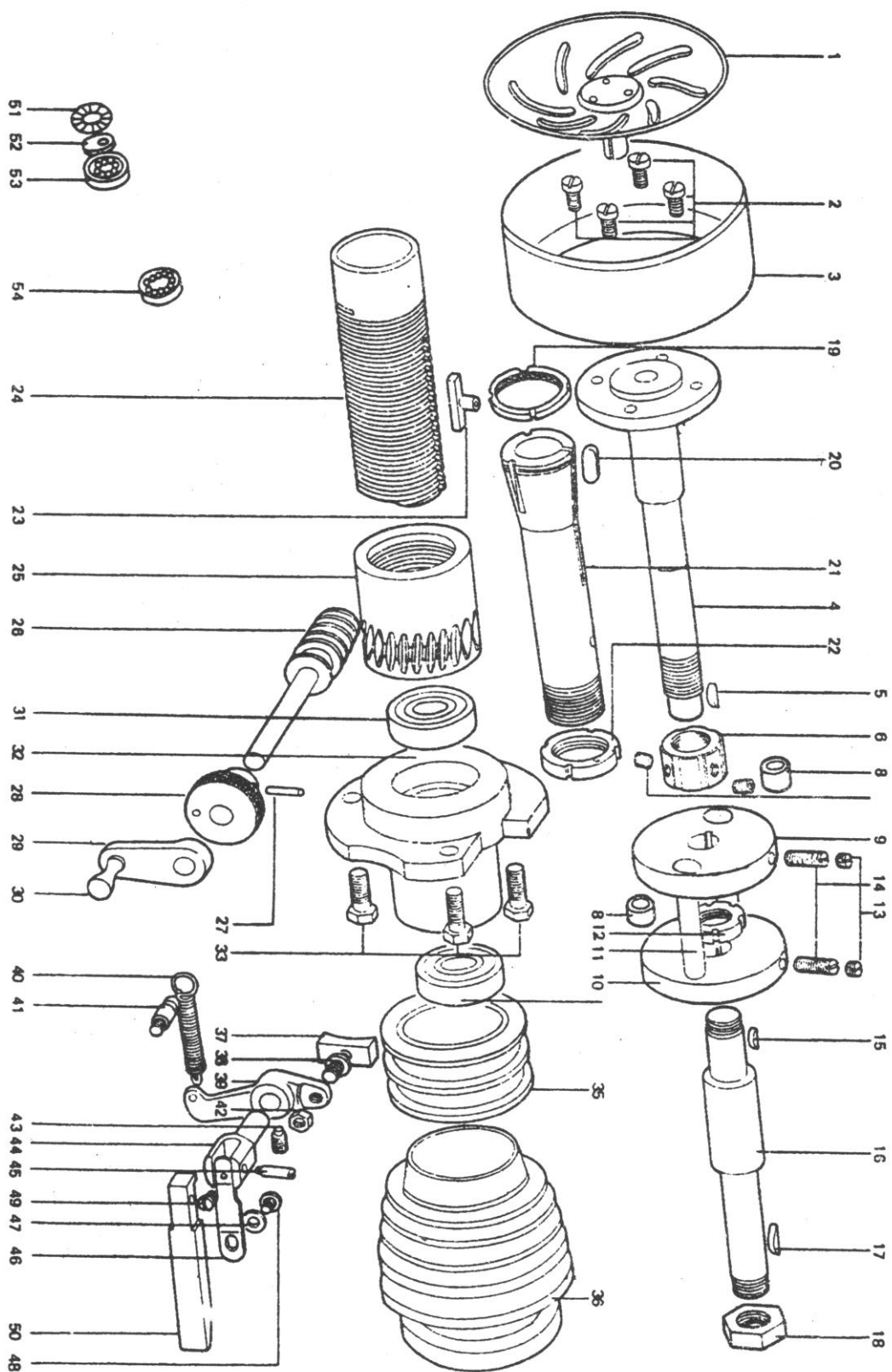
**WYKAZ CZĘŚCI**  
**DO ŚCIENIARKI BRZEGOWEJ**  
**HIGHLEAD**  
**MODEL**  
**YXP-18**



Item	Part No.	Description	Quan	Remark
1-1	1157	Presser bar adjusting screw	1	
1-2	1156	Press bar lifter bracket	2	9223
1-3	3/16" × 28 × 15 <sup>p</sup>	Presser bar lifter bracket scrws	2	9223
1-4	5 × 16 <sup>p</sup>	Presser bar lifter pin	1	
1-5	1153	Presser bar lifter	1	
1-6	1155	Presser bar lifter lever	1	
1-7	1150	Presser bar cover screw	1	
1-8	1151	Presser bar spring	1	
1-9	1145	Presser bar	1	
1-10	1148	Presser foot side plates	2	
1-11	9 × 64" × 10 <sup>p</sup>	Presser foot side plate adj screws	4	
1-12	3/16" × 28 × 6 <sup>p</sup>	presser foot side plate screws	1	
1-13	3/16" × 28 × 10 <sup>p</sup>	Presser foot shaft shook metal hinge screw	1	
1-14	1144	Presser foot shaft hook metal set screw	1	
1-15	1142	Presser foot shaft shook metal	1	
1-16	1140	Presser foot 50m/m	1	
1-17	1007	Oil cap	1	
1-18	1001	Arm	1	
1-19	1085	Presser foot adjusting screw	1	3.67
1-20	1086	Presser foot adjustable screw nuts	2	3-68
1-21	1152	Presser bar spring pin	1	
1-22	1140	Presser foot sping	1	
1-23	3/8" × 16 × 25 <sup>p</sup>	Linner hexdgon scren	1	
1-24	φ6 × 25 <sup>p</sup>	Tape pin	1	
1-25	3/16" × 32 × 10 <sup>p</sup>	Presser foot sping screw	1	
1-26	1141	Presser foot shaft	1	
1-27	1122	Worm chamber plats	1	
1-28	9/64" × 40 × 7.5 <sup>p</sup>	Fiat screw	1	
1-29	1009	Ruler set screw	1	
1-30	1008	Ruler set screw washer	1	
1-31	1006	Ruler	1	
1-32	11/64" × 40 × 9 <sup>p</sup>	Slide plats screws	6	
1-33	11/64" × 40 × 7 <sup>p</sup>	Slide plats screws	2	
1-34	1003	Slide plate A	1	
1-35	1004	Slide plate B	1	
1-36	1005	Slide plate C	1	
1-37	15/64" × 28 <sup>p</sup>	Waste feeder screw	1	
1-38	6 × 25.4 <sup>p</sup>	Waste feeder stop pin	1	
1-39	5/16" × 24 × 21 <sup>p</sup>	Hexagon slo tted screw (Base plate)	2	
1-40	1002	Bed	1	233
1-41	1036	Belt cover plate	1	
1-42	9/64" × 40 × 6	Belt cover plate screw	1	
1-43	1037	Belt cover lid	1	
1-44	1038	Belt cover lid stopper	1	
1-45	1009	Ruler set screw	1	1-29
1-46	2001	Hinges	2	
1-47	2002	Hinge pins	2	
1-48	18 × 6.3 × 1.6	Hinge set screw washers	4	
1-49	6 × 30	Hinge set screws	4	
1-50	1105	Waste feeder metals(set)	1	

Item	Part No.	Description	Quan	Remark
1-51	2003	Transmission shaft	1	
1-52	2004	Base plate	1	
1-53	1/4" × 20 × 20 <sup>p</sup>	Set screw (Transmissi shaft)	2	3.47
1-54	Φ4 × 22 <sup>p</sup>	Tape pin	4	3.83

## 2. KNIFE AND RELATED PARTS



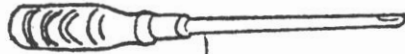
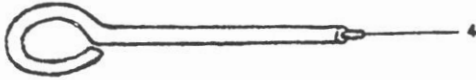
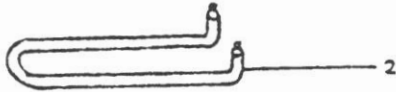
Item	Part No.	Description	Quan	Remarks
2-1	1021	Leather peeler covet	1	
2-2	M6 pl 0 × 10 l	Knife set screws	4	
2-3	1010	Knife	1	
2-4	1011	Knife shaft	1	
2-5	3 × 13	Knife shaft key	1	
2-6	∅ 28 × M18 × 7 × P1.5	Knife shaft nuts	2	
2-7				
2-8	1023	Rubber bushings	2	
2-9	1015	Pulley shaft flange holder	1	
2-10	1033	Pulley shaft flange	1	
2-11	1034	Flange shafts	2	
2-12	∅ 28 × M16 × 7 × P1.5	Pulley shaft flange nut	1	
2-13	9/32" × 28 × 4.5	Pulley shaft flange screws(B)	2	
2-14	9/32" × 28 × 18	Pulley shaft flange screws(A)	2	
2-15	3 × 10	Pulley shaft shaft key (small)	1	
2-16	1031	pulley shaft	1	
2-17	3 × 16	pully shaft key (large)	1	
2-18	M16 p × P1.5	Hexagonal nut (A)	1	
2-23	1020	Knife shaft lead pipe key	1	
2-24	1013	Knife shaft lead pipe	1	
2-25	1014	Knife shaft worm wheel	1	
2-26	1016	Knife shaft worm	1	
2-27	3 × 18 l	Tape pin	1	
2-28	1017	Knife adjusting knob	1	
2-29	1018	Knife adjusting handle	1	
2-30	1020	Knife adjusting handle knob	1	
2-31	6203 Z	pulley shaft bearings	1	
2-32	6203 Z	pulley shaft bearings	1	
2-33	5/16" × 24 × 21 l	pulley shaft metal screws	3	1-39
2-34	-			
2-35	1035	Clutch	1	
2-36	1030	Pulley	1	
2-37	1049	Clutch slide block	1	
2-38	1040	Clutch slide block screws	3	
2-39	1043	Clutch arm	1	
2-40	1024	Clutch spring	1	
2-41	1046	Clutch spring hook	1	
2-42	1/4" × 40	Clutch slide block screw nut	1	
2-43	15/64" × 28 × 8 l	Clutch lever screw	1	
2-44	1041	Clutch lever shaft	1	
2-45	1160	Clutch arm server shaft	1	
2-46	1042	Clutch lever spring	1	
2-47		Clutch lever spring hinge Waser	1	
2-48	9/64" × 40 × 6 l	Clutch lever spring hinge screw	1	
2-49	9/64" × 40 × 6 l	Clutch lever spring screw	1	
2-50	1039	Clutch lever	1	
2-51	NTB2035	Trust bearing	1	
2-52	20 × 35 × 1	Flat gasket	1	
2-53	6004 ZZ	Bearing	1	
2-54	6023 ZZ	Bearing	1	2-31



item	Part No.	Description	Quan.	Remarks
3-1		worm wheel box	1	
3-2	1116	Main shaft worm gear wheel	1	
3-3	1115	Main shaft worm gear	1	
3-4	1119	Roller driving shaft metal(1)	1	
3-5	1120	Roller driving shaft metal(2)	1	
3-6	9/64" × 40 × 90P	Main shaft worm gear Wheel screw	1	
3-7	1123	Main shaft worm gear chamber cover screw	1	
3-9	121803	Main shaft worm gear chamber oil seal	1	
3-10	1124	Main shaft worm gear chamber screw	1	
3-11	2.5 × 10	Main shaft key(1)	1	
3-12	1110	Main shaft	1	
3-13	3 × 16	Main shaft key(2)	1	
3-14	6002 ZZ	Main shaft bearing	1	
3-15	M63 × 10 × P1.5	Main shaft cleaning holedr screw	1	
3-16	1111	Main shaft pulley	1	
3-17	M14 × P1.5	Hexagonal nut B	1	
3-18	3 starK20	Main shaft belt	1	
3-19	1051	Grindstone set screw	1	
3-20	1052	Grindstone set screw nut	1	
3-21	1050	Grindstone	1	
3-22	1053	Grindstone shaft	1	
3-24	2.5 × 20	Grindstone shaft pulley taper pin	1	
3-25	6200 Z	Grindstone shaft bearings	2	
3-26	1056	Grindstone shaft bracket	1	
3-27	1055	Grindstone shaft bearing roller	1	
3-28	1057	Grindstone shaft bracker arm	1	
3-29	5/16" × 24	Grindstone shaft bracket arm center screw nuts	3	
3-30	1731	Grindstone shaft bracket arm center screws	3	
3-31	1069	Grindstone shaft bracket arm spring	1	
3-32	15/64" × 24 × 14P	Grindstone shaft bracket arm spring screws	2	
3-33	5/16" × 24 × 14P	Grindstone shaft bracket screw	1	
3-34	1/2" × 28	Grindstone adjusting screw pipe nuts	2	
3-35	1066	Grindstone adjusting screw pipe	1	
3-36	1058	Grindstone adjusting screw	1	
3-37	1059	Grindstone shaft belt	1	
3-38		Belt guide pulley screws	2	
3-39	1063	Belt guide pulley shafts	2	
3-40	626 Z	Belt guide pulley bearings	4	
3-41	1062	Belt guide pulleys	2	
3-42	1064	Belt guide pulley washers	2	

item	Part No.	Description	Quan.	Remarks
3-34	15/64" × 28 × 8 P	Belt guide pulley shaft screws	2	
3-44	1060	Belt guide bracker	1	
3-45	3 × 18	Belt guide bracker taper pin	1	2-27
3-46	1067	Belt guide bracket spring	1	
3-47	1061	Belt guide bracket shaft	1	
3-48	1065	Belt guide bracket turning stoppers	2	
3-49	1118	Roller driving shaft	1	
3-50	3 × 13	Roller driving shaft key	1	
3-51	1121	Roller driving shaft joint	1	
3-52	1094	Roller shaft oil wick	1	
3-53	1081	Roller shaft	1	
3-54		Roller shaft oil sealring	1	
3-55	1080	Roller	1	
3-56	1082	Roller washer	1	
3-57	1083	Roller bracket	1	
3-58	15/64" × 28 × 10 P	Roller shaft screw	1	
3-59	11/64" × 40 × 3.5P	Waste clear metal shaft screw	1	
3-60	1098	Roller bracket arm spring hook(2)	1	
3-61	1095	Roller bracket arm spring	1	
3-62	1096	Roller bracket arm spring hook metal	1	
3-63	1091	Roller bracket arm	1	
3-64	1092	Roller bracker arm adjusting screw	1	
3-65	1093	Roller bracker arm adjusting screw nut	1	
3-66	1097	Roller bracket turning spring hook(1)	2	
3-67	1085	Roller bracket turning arm adjusting screw	1	
3-68	1086	Roller bracket turning arm adjusting screw nut	1	
3-69	1084	Roller bracket turning arm	1	
3-70	1088	Roller bracket turning arm spring stopper	1	
3-71	1087	Roller bracket turning arm spring	1	
3-72	1090	Roller bracket turning arm spring adjusting nut	1	
3-73	1089	Roller bracket turning arm spring adjusting screw	1	
3-74	1/4" × 20 × 20 P	Set screw	3	1-53
3-75	1099	Roller bracket arm center pin	1	
3-76	1100	Roller bracket arm center pin screw	1	
3-77	9/64" × 10	Waste clear metal leather nuts	2	
3-78	1104	Waste clear metal leather	1	
3-79	1104	Waste clear metal leather	1	
3-80	9/64" × 40	Waste clear metal leather screws	2	
3-81	1103	Waste clear metal spring	1	
3-82	1102	Waste clear metal shaft	1	1-54
3-83	φ4 × 22 P	Tape pin	1	
3-84		Roller shaft screw		

## 4. ACCESSORIES



A 40m/m  
B 30m/m  
C 25m/m

item	Part No.	Description	Quan	Remarks
4.1	3001	Grindstone dresser	1	
4.2	3002	Grindstone spanner	1	
4.3	3004	Knife shaft spanner	1	
4.4	3005	Knife inter cover remover	1	
4.5	3006	Bar type grindstone	1	
4.6	3007	Driver large	1	
4.7	3008	Oiler	1	
1.16 A	1140 A	Presser foot 50 mm	1	
1.16 B	1140 B	Presser foot 30 mm	1	
1.16 C	1140 C	Presser foot 25 mm	1	
<b>Accessories</b>				
1.47	2002	Hinge pins	2	
1.46	2001	Hinges	2	
1.48	15 x 6.3 x 1.6	Hinge set screw washers	2	
1.49	6 x 30	Hinge set screws	4	
2.29	1018	Knife adjusting handle	1	
2.30	1019	Knife adjusting handle	1	
4.5	3006	Bar type grindstone	1	



INSTALLING SKETCH FOR BELT COVER OF LEATHER SKIVING MACHINE

