

**WYKAZ CZĘŚCI
DO OVERLOCKA HIGHLEAD**

MODEL

GM288-3

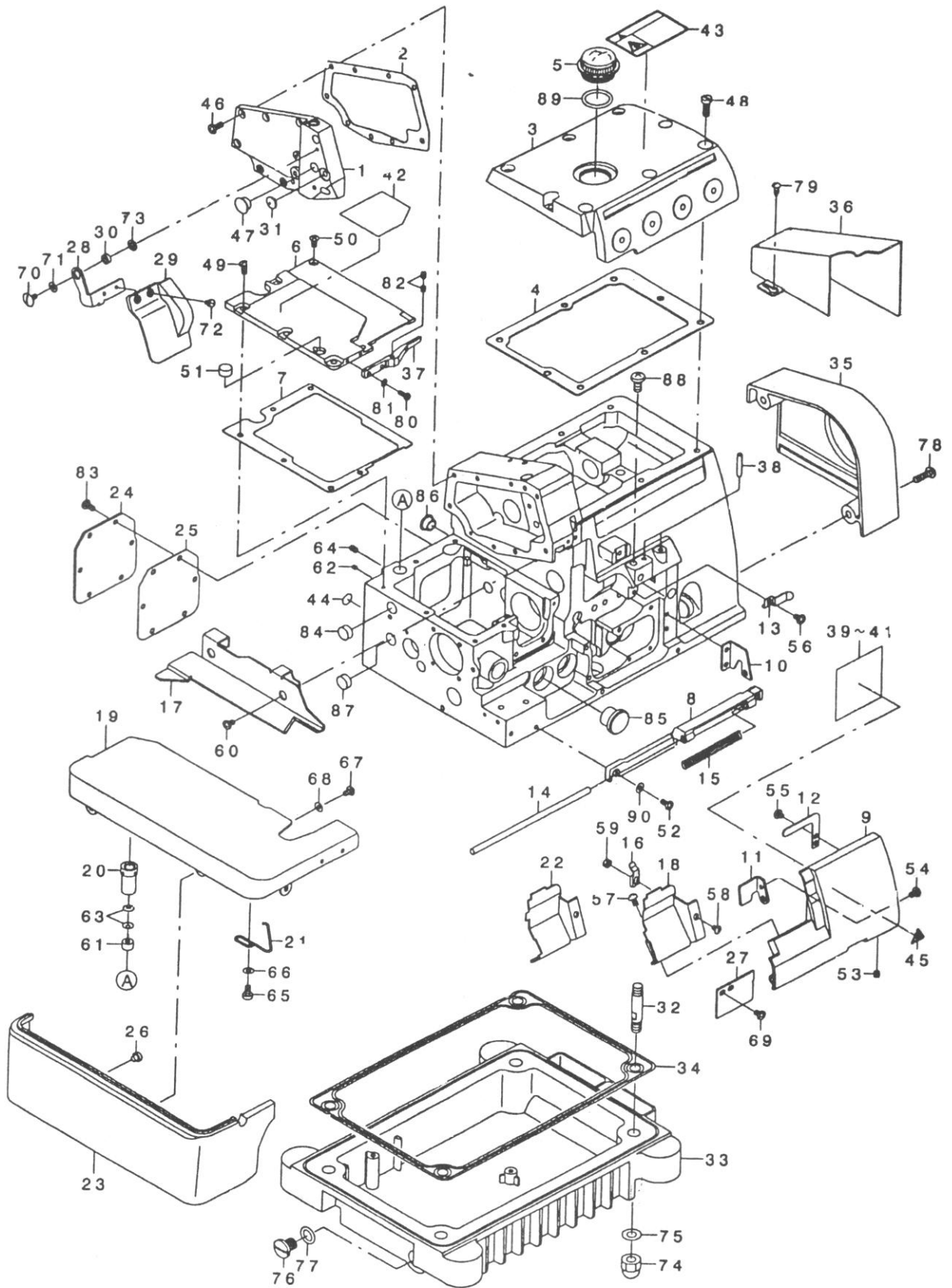
GM288-304

GM288-4

GM288-5

GM288-501

1. FRAME & MISCELLANEOUS COVER COMPONENTS



| REF NO. | PART NO. | DESCRIPTION | Qty | NOTE | REF NO. | PART NO. | DESCRIPTION | Qty | NOTE |
|---------|----------|-----------------------------|-----|------|---------|---------------|--------------------------------|-----|------|
| 0 | 8000008 | FRAME COMPONENTS | 1 | | 46 | SM-4041055-SP | SCREW | 6 | |
| 1 | 8000107 | SIDE COVER | 1 | | 47 | 8107107 | BUSHING D PLUG | 1 | |
| 2 | 8000206 | SIDE COVER GASKET | 1 | | 48 | 8119508 | SCREW | 8 | |
| 3 | 8000305 | UPPER COVER | 1 | | 49 | SM-4040855-SP | SCREW | 5 | |
| 4 | 8000404 | UPPER COVER GASKET | 1 | | 50 | SM-1040801-SP | SCREW M4X0.7 L=8 | 1 | |
| 5 | 8000503 | OIL SIGHT WINDOW | 1 | | 51 | 8106802 | CLOTH PLATE RUBBER CUSHION B | 1 | |
| 6 | 8000602 | FEED MECHANISM COVER | 1 | | 52 | SM-4041055-SP | SCREW | 3 | * |
| 7 | 8000701 | GASKET | 1 | | 53 | SM-8040412-TP | SET SCREW M4 L=4 | 1 | |
| 8 | 8000800 | LOOPER COVER BRACKET | 1 | | 54 | SM-4040655-SP | SCREW M4 L=6 | 1 | |
| 9 | 8000909 | LOOPER COVER | 1 | | 55 | 8118005 | SCREW | 1 | |
| 10 | 8001006 | LOOPER COVER STOPPER | 1 | | 56 | SM-4040655-SP | SCREW M4 L=6 | 1 | |
| 11 | 8001105 | GUIDE PLATE | 1 | | 57 | SM-4040655-SP | SCREW M4 L=6 | 2 | |
| 12 | 8001204 | PRESSER PLATE | 1 | | 58 | SS-2090520-SL | SCREW 9/64-40 L=5 | 1 | |
| 13 | 8001303 | PRESSER SPRING | 1 | | 59 | NS-6090310-SN | NUT 9/64-40 | 1 | |
| 14 | 8001402 | HINGE PIN | 1 | | 60 | SM-4040655-SP | SCREW M4 L=6 | 2 | |
| 15 | 8001501 | LOOPER COVER SPRING | 1 | | 61 | 8100003 | CLOTH PLATE HINGE SHAFT COLLAR | 1 | |
| 16 | 8001600 | CLOTH WASTE COVER STOPPER | 1 | | 62 | SM-8030312-TP | SCREW M3 L=3 | 1 | |
| 17 | 8001717 | CLOTH PLATE SIDE COVER | 1 | | 63 | WZ-0420350-KP | DISC SPRING | 2 | |
| 18 | 8083004 | CLOTH WASTE COVER | 1 | 0 2 | 64 | SM-8040612-TP | SCREW M4 L=6 | 1 | |
| 19 | 8002764 | CLOTH PLATE COMPL. | 1 | | 65 | SM-6040800-SP | SCREW | 2 | |
| 20 | 8002806 | ECCENTRIC BUSHING | 1 | | 66 | WP-0430800-SD | WASHER M4 | 2 | |
| 21 | 8002905 | CLOTH PLATE SPRING | 1 | | 67 | SM-4040655-SP | SCREW M4 L=6 | 3 | |
| 22 | 8083202 | CLOTH WASTE COVER | 1 | 0 1 | 68 | WP-0430800-SD | WASHER M4 | 3 | |
| 23 | 8003259 | CLOTH PLATE COVER COMPL. | 1 | | 69 | SM-4040655-SP | SCREW M4 L=6 | 2 | |
| 24 | 8009009 | COVER | 1 | | 70 | 8115308 | SCREW | 1 | |
| 25 | 8009108 | GASKET | 1 | | 71 | WZ-0850302-KO | WAVED WASHER 8.5X12.5X0.3 | 1 | |
| 26 | 8002004 | RUBBER CUSHION | 2 | | 72 | SM-6030500-SN | SCREW M3 L=5 | 2 | |
| 27 | 8003309 | CLOTH WASTE COVER (LEFT) | 1 | | 73 | 8111505 | WASHER | 1 | * |
| 28 | 8003507 | EYE GUARD COVER BASE | 1 | | 74 | 8109103 | NUT | 4 | |
| 29 | 8003705 | EYE GUARD COVER | 1 | | 75 | 8111208 | WASHER | 4 | |
| 30 | 8003804 | EYE GUARD COVER BASE COLLAR | 1 | | 76 | 8114103 | SCREW | 1 | |
| 31 | 8003903 | EYE GUARD COVER BASE USHING | 1 | | 77 | RO-1082401-OO | RUBBER RING | 1 | * |
| 32 | 8004000 | BOLT | 4 | | 78 | SM-4051655-SP | SCREW M5 L=16 | 2 | |
| 33 | 8004109 | OIL RESERVOIR | 1 | | 79 | 8126008 | SCREW | 2 | |
| 34 | 8004208 | OIL RESERVOIR GASKET | 1 | | 80 | 8124102 | SCREW | 2 | |
| 35 | 8004307 | BELT COVER | 1 | | 81 | WP-0320501-SD | WASHER | 2 | |
| 36 | 8008407 | BELT COVER B | 1 | | 82 | SM-8040412-TP | SET SCREW M4 L=4 | 2 | |
| 37 | 8004406 | THROAT PLATE RETAINER | 1 | | 83 | SM-4040855-SP | SCREW | 6 | |
| 38 | 8004505 | THREAD GUIDE (LARGE) | 2 | | 84 | 8107008 | RUBBER PLUG | 1 | |
| 39 | 8005403 | THREADING DIAGRAM | 1 | 0 3 | 85 | 8107206 | RUBBER PLUG | 1 | 0 2 |
| 40 | 8005502 | THREADING DIAGRAM | 1 | 0 4 | 86 | 8107107 | BUSHING D PLUG | 1 | |
| 41 | 8005601 | THREADING DIAGRAM | 1 | 0 1 | 87 | 8107008 | RUBBER PLUG | 1 | 0 2 |
| 42 | 8005700 | THREADING DIAGRAM | 1 | 0 1 | 88 | SM-4061255-SP | SCREW M6 L=12 | 1 | |
| 43 | 8008506 | SAFETY LABEL 3 (SMALL) | 1 | | 89 | RO-2182401-OO | RUBBER RING | 1 | * |
| 44 | 8008605 | GROUND MARK | 1 | | 90 | WP-0430800-SD | WASHER M4 | 3 | |
| 45 | 8008704 | ATTENTION SEAL | 1 | | 91 | 8115209 | SCREW | 3 | * |

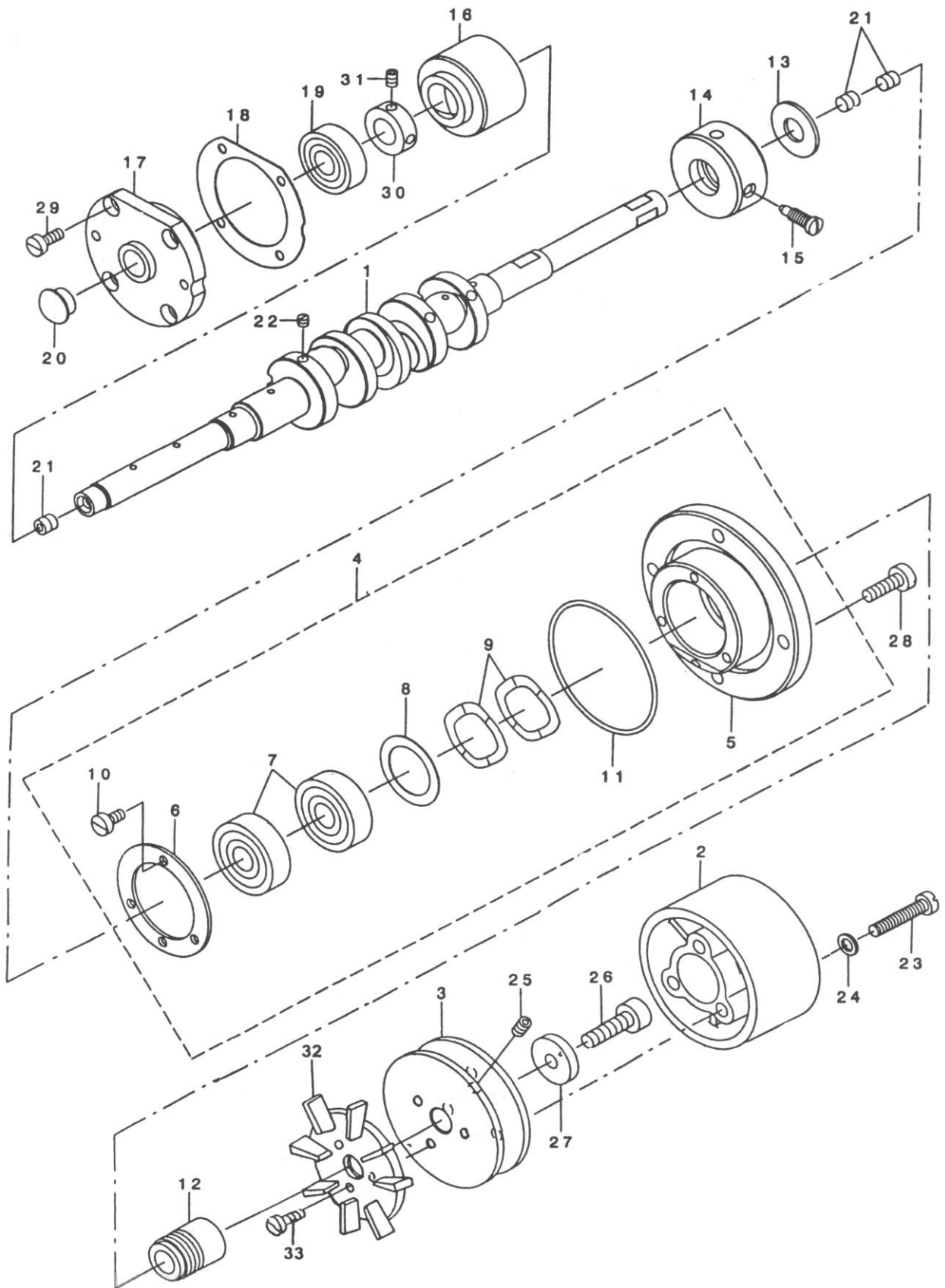
NOTE: 01....FOR GM288-5

02....FOR GM288-3, GM288-4

03....FOR GM288-3

04....FOR GM288-4

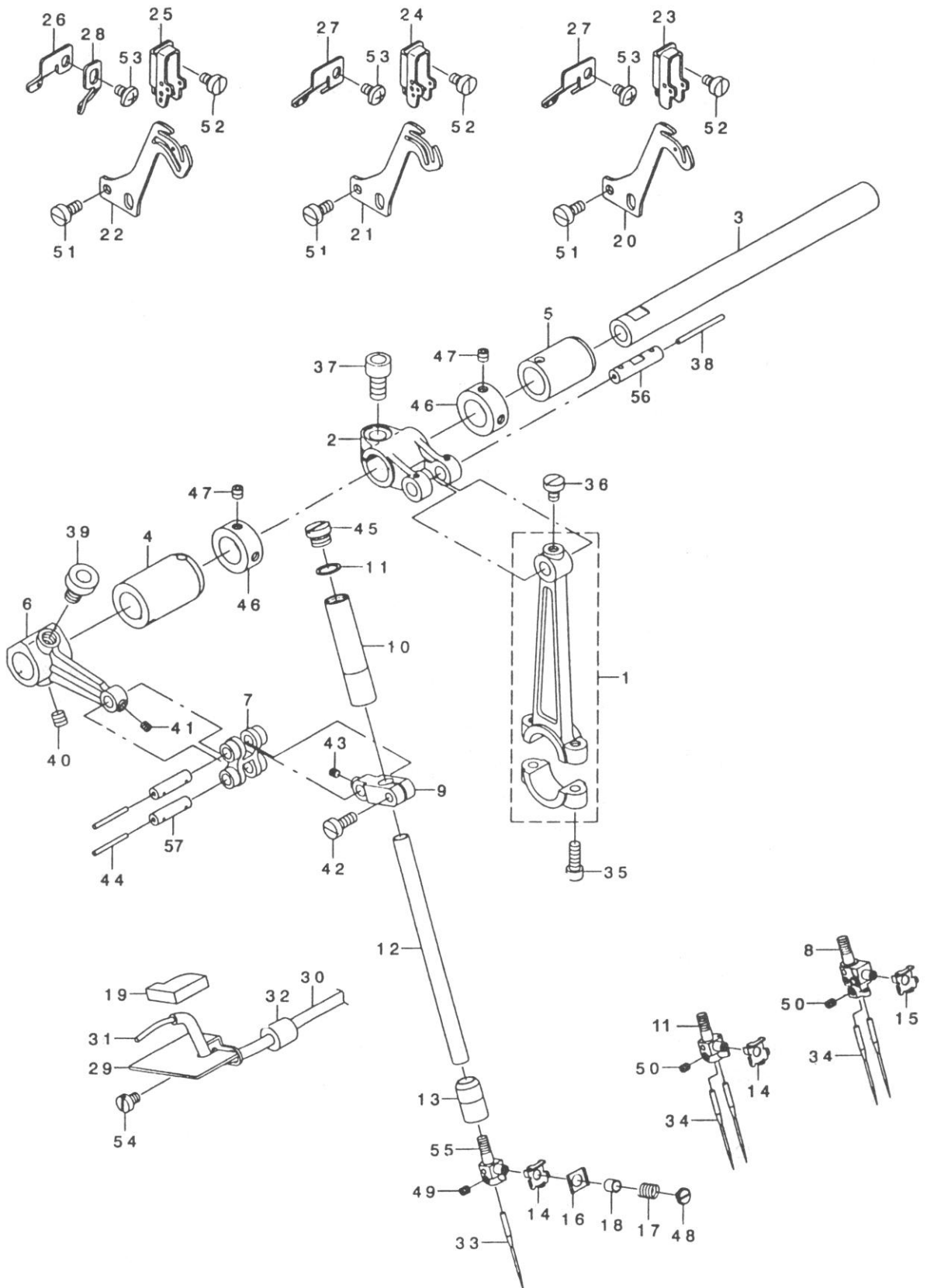
2. CRANKSHAFT COMPONENTS



| REF NO. | PART NO. | DESCRIPTION | Qty | NOTE |
|---------|---------------|-------------------------------|-----|------|
| 1 | 8010015 | CRANKSHAFT | 1 | * |
| 2 | 8010106 | HAND WHEEL B | 1 | |
| 3 | 8010205 | HAND WHEEL A | 1 | |
| 4 | 8010353 | CRANKSHAFT THRUST COLLAR SAM. | 1 | |
| 5 | 8010304 | CRANKSHAFT THRUST COLLAR | (1) | |
| 6 | 8010403 | BEARING SUPPORT PLATE | (1) | |
| 7 | 8104104 | CRANKSHAFT BEARING | (2) | |
| 8 | 8010502 | BEARING RECEIVING PLATE | (1) | |
| 9 | 8112909 | WASHER | (2) | |
| 10 | SM-6040800-SP | SCREW | (3) | |
| 11 | RO-493501-OO | RUBBER RING | (1) | * |
| 12 | 8010601 | OIL SHIELD | 1 | |
| 13 | 8010700 | BEARING RETAINER | 1 | |
| 14 | 8010809 | CRANKSHAFT BUSHING B | 1 | |
| 15 | 8010908 | SCREW | 1 | |
| 16 | 8011112 | CRANKSHAFT BUSHING C | 1 | * |
| 17 | 8011203 | CRANKSHAFT BUSHING D | 1 | |
| 18 | 8011302 | BUSHING D GASKET | 1 | |
| 19 | 8104005 | BUSHING D BEARING | 1 | |
| 20 | 8107107 | BUSHING D PLUG | 1 | 01 |
| 21 | SM-8060612-TP | SCREW M6 L=6 | 3 | |
| 22 | SM-8040310-SS | SCREW M4 L=3 | 4 | |
| 23 | 8119706 | SCREW | 3 | |
| 24 | 8110606 | WASHER | 3 | |
| 25 | SM-8061212-TP | SCREW M6 L=12 | 2 | |
| 26 | SM-6061602-TP | SCREW M6 L=16 | 1 | |
| 27 | 8111000 | WASHER | 1 | |
| 28 | SM-6051600-SP | SCREW M5 L=16 | 4 | |
| 29 | SM-6041000-SP | SCREW M4 L=10 | 4 | |
| 30 | 8100300 | SLIDE BLOCK COLLAR | 1 | 01 |
| 31 | SM-8040412-TP | SET SCREW M4 L=4 | 2 | 01 |
| 32 | 8011500 | LEAF WIND | 1 | |
| 33 | 8121207 | SCREW | 3 | |

NOTE: 01...FOR GM288-3, GM288-4

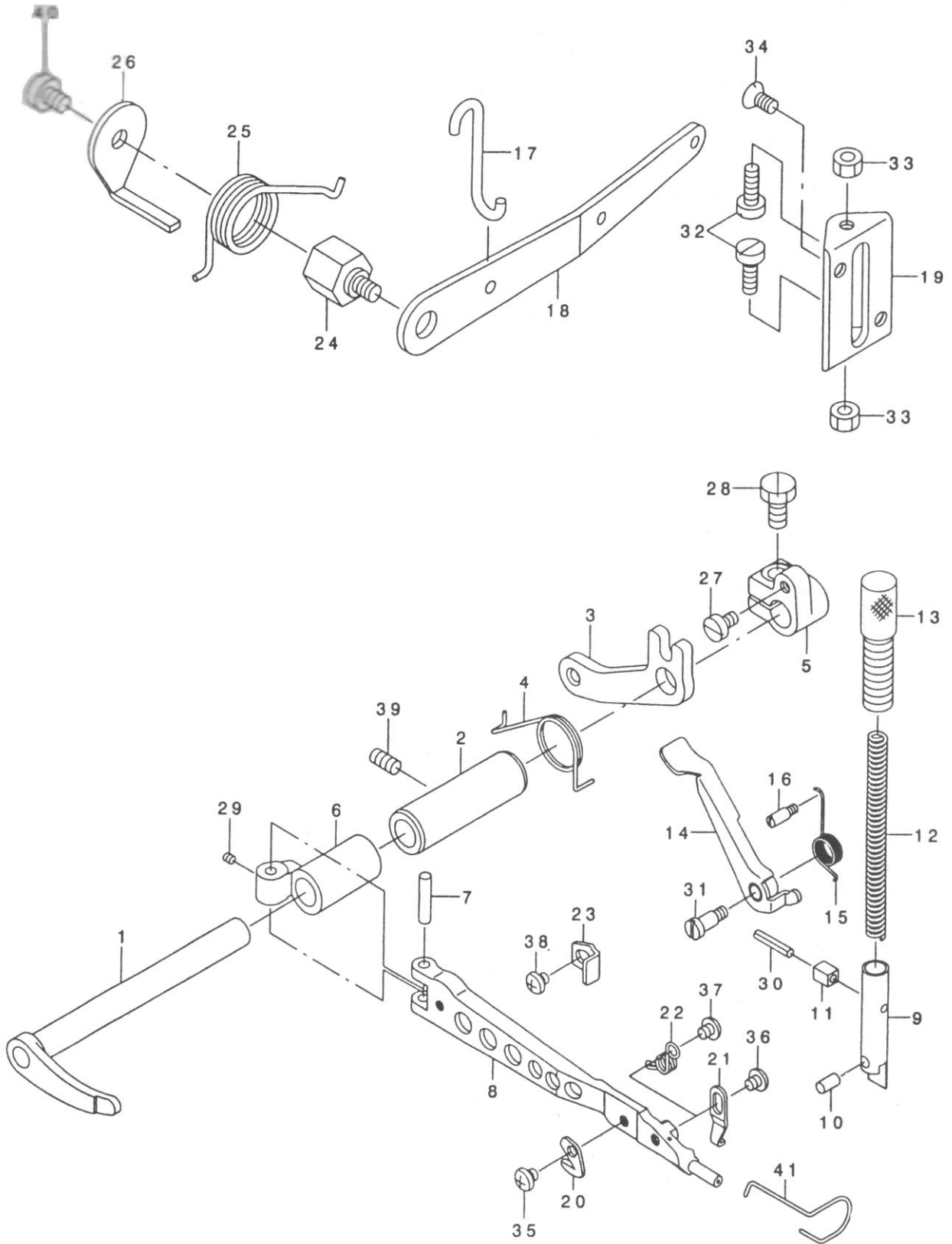
3. NEEDLE DRIVING SHAFT COMPONENTS



| REF NO. | PART NO. | DESCRIPTION | Qty | NOTE |
|---------|---------------|----------------------------------|------|------|
| 1 | 8012508 | NEEDLE DRIVING ROD | 1 | |
| 2 | 8012607 | NEEDLE DRIVING FORKED CRANK | 1 | |
| 3 | 8012805 | NEEDLE DRIVING SHAFT | 1 | |
| 4 | 8012904 | BUSHING , FRONT | 1 | |
| 5 | 8013001 | BUSHING , REAR | 1 | |
| 6 | 8013209 | NEEDLE DRIVING ARM | 1 | |
| 7 | 8013308 | NEEDLE DRIVING LINK | 1 | |
| 8 | 8065407 | NEEDLE CLAMP , CHAIN LOOPER | 1 | 0 2 |
| 9 | 8013506 | NEEDLE BAR HOLDER | 1 | |
| 10 | 8013605 | NEEDLE BAR BUSHING , UPPER | 1 | |
| 11 | 8065100 | NEEDLE CLAMP , 2-NEEDLE | 1 | 0 4 |
| 12 | 8013803 | NEEDLE BAR | 1 | |
| 13 | 8013902 | NEEDLE BAR BUSHING , LOWER | 1 | |
| 14 | 8016103 | NEEDLE THREAD PRESSER GUIDE A | 1 | 0 1 |
| 15 | 8014009 | NEEDLE THREAD PRESSER GUIDE | 1 | 0 2 |
| 16 | 8014207 | NEEDLE THREAD PRESSER PLATE A | 1 | |
| 17 | 8014405 | NEEDLE THREAD PRESSER SPRING | 1 | |
| 18 | 8014504 | THREAD GUIDE COLLAR | 1 | |
| 19 | 8015709 | FELT | 2 | |
| 20 | 8014603 | TAKE-UP LEVER | 1 | 0 3 |
| 21 | 8014702 | TAKE-UP LEVER , 2-NEEDLE | 1 | 0 4 |
| 22 | 8014801 | TAKE-UP LEVER , CHAIN LOOP | 1 | 0 2 |
| 23 | 8014900 | NEEDLE THREAD GUIDE | 1 | 0 3 |
| 24 | 8015006 | NEEDLE THREAD GUIDE , 2-NEEDLE | 1 | 0 4 |
| 25 | 8015105 | THREAD GUIDE , CHAIN LOOP | 1 | 0 2 |
| 26 | 8015303 | TAKE-UP LEVER GUIDE | 1 | 0 2 |
| 27 | 8015402 | TAKE-UP LEVER GUIDE , 2-NEEDLE | 1 | 0 1 |
| 28 | 8015501 | TAKE-UP LEVER GUIDE , CHAIN LOOP | 1 | 0 2 |
| 29 | 8015600 | COVER | 1 | |
| 30 | BP-3000001-OO | VINYL TUBE | 0.31 | |
| 31 | CQ-2000000-OO | OIL WICK | 0.32 | |
| 32 | 8107503 | PLUG | 1 | * |
| 33 | MDC-270B11-OO | NEEDLE DCX27#11 | 1 | 0 3 |
| 34 | MDC-270B11-OO | NEEDLE DCX27#11 | 2 | 0 5 |
| 35 | SM-6041202-TP | SCREW M4X0.7 L=12 | 2 | |
| 36 | SM-6040600-SP | SCREW M4 L=6 | 1 | |
| 37 | SM-6061202-TP | SCREW M6 L=12 | 1 | |
| 38 | CQ-2000000-OO | OIL WICK | 0.05 | |
| 39 | SM-6061002-TP | SCREW M6 L=10 | 1 | |
| 40 | SM-8050502-TP | SCREW M5 L=5 | 1 | |
| 41 | SM-8030312-TP | SCREW M3 L=3 | 1 | |
| 42 | SM-6041000-SP | SCREW M4 L=10 | 1 | |
| 43 | SM-8030312-TP | SCREW M3 L=3 | 1 | |
| 44 | CQ-2000000-OO | OIL WIC | 0.04 | |
| 45 | 8120605 | SCREW | 1 | |
| 46 | 8100409 | THRUST COLLAR | 2 | |
| 47 | SM-8040412-TP | SET SCREW M4 L=4 | 4 | |
| 48 | 8117205 | SCREW | 1 | |
| 49 | SM-8030312-TP | SCREW M3 L=3 | 1 | 0 3 |
| 50 | SM-8030312-TP | SCREW M3 L=3 | 2 | 0 5 |
| 51 | SM-6040800-SP | SCREW | 2 | |
| 52 | SM-6040600-SP | SCREW M4 L=6 | 2 | |
| 53 | SM-4040655-SP | SCREW M4 L=6 | 1 | |
| 54 | 8118104 | SCREW | 2 | |
| 55 | 8065001 | NEEDLE CLAMP | 1 | 0 3 |
| 56 | 80162A0 | CRANK PINA | 1 | |
| 57 | 80120A1 | LINK PIN C | 2 | |

NOTE: 01....FOR GM288-3, GM288-4 03....FOR GN288-3 0 .FOR GM288-4, GM288-5
02....FOR GM288-5 04....FOR GM288-4 06....FOR SELECTIVE PART

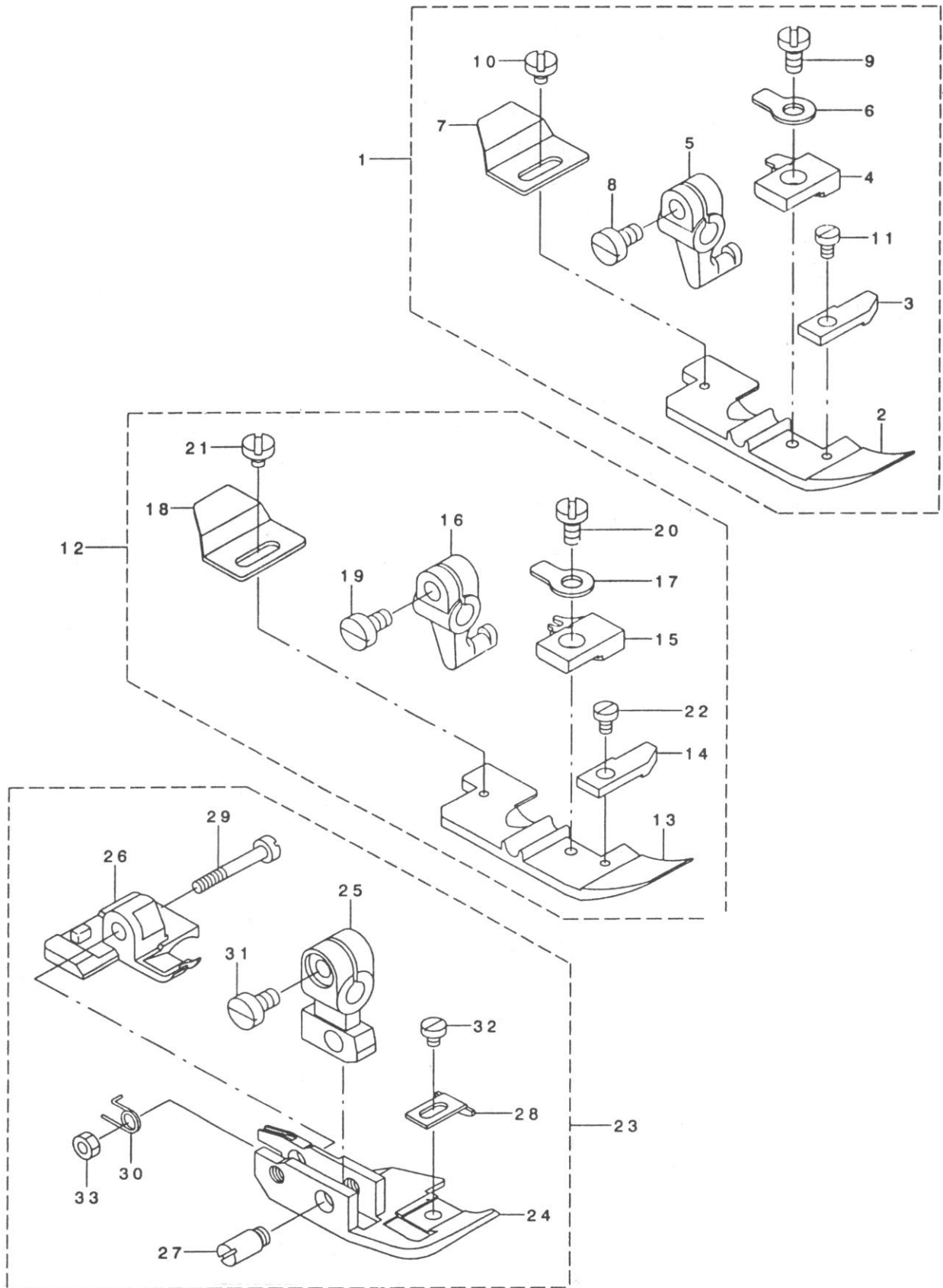
4. PRESSER FOOT COMPONENTS (1)



| REF NO. | PART NO. | DESCRIPTION | Qty | NOTE |
|---------|---------------|------------------------------|-----|------|
| 1 | 8017507 | PRESSER FOOT SHAFT | 1 | |
| 2 | 8017606 | BUSHING | 1 | |
| 3 | 8017705 | LIFTING ARM | 1 | |
| 4 | 8017804 | SPRING | 1 | |
| 5 | 8017903 | THRUST ARM | 1 | |
| 6 | 8018000 | PRESSER FOOT SHAFT ARM | 1 | |
| 7 | 8018109 | PRESSER FOOT ARM HINGE SHAFT | 1 | |
| 8 | 8018208 | PRESSER FOOT ARM | 1 | |
| 9 | 8018414 | PRESSER BAR | 1 | |
| 10 | 8018513 | PRESSER BAR BLOCK | 1 | |
| 11 | 8018604 | LIFTING PIN BLOCK | 1 | |
| 12 | 8018703 | PRESSER SPRING | 1 | |
| 13 | 8018802 | PRESSER REGULATOR SCREW | 1 | |
| 14 | 8018950 | PRESSER LIFTING LEVER SAM. | 1 | |
| 15 | 8019107 | SPRING | 1 | |
| 16 | 8019206 | STOPPER | 1 | |
| 17 | 8019305 | LEVER HOOK | 1 | |
| 18 | 8019404 | PRESSER FOOT LIFTING LEVER | 1 | |
| 19 | 8019503 | STOPPER PLATE | 1 | |
| 20 | 8019602 | THREAD TRIMMER | 1 | |
| 21 | 8019701 | STOPPER | 1 | 01 |
| 22 | 8019800 | PRESSER FOOT ARM SPRING | 1 | 02 |
| 23 | 8020006 | STOPPER | 1 | |
| 24 | 8020105 | HINGE SCREW | 1 | |
| 25 | 8020204 | LIFTING LEVER SPRING | 1 | |
| 26 | 8020303 | LIFTING LEVER SPRING HOOK | 1 | |
| 27 | SS-6110710-TP | SCREW 11/64-40 L=6.5 | 1 | |
| 28 | SS-9151210-TP | SCREW 15/64-28 L=11.8 | 1 | |
| 29 | SM-8030312-TP | SCREW M3 L=3 | 1 | |
| 30 | 8101506 | PRESSER BAR LIFTING PIN | 1 | |
| 31 | 8113600 | HINGE SCREW | 1 | |
| 32 | SM-6051400-SP | SCREW | 2 | |
| 33 | NM-6050001-SP | NUT M5 | 2 | |
| 34 | 8121207 | SCREW | 2 | |
| 35 | 8118005 | SCREW | 1 | |
| 36 | 8118005 | SCREW | 1 | 01 |
| 37 | 8118005 | SCREW | 1 | 02 |
| 38 | 8118005 | SCREW | 1 | |
| 39 | SM-8051002-TP | SCREW M5 L=10 | 1 | |
| 40 | SM-6060800-SP | SCREW M6 L=8 | 1 | |
| 41 | 8067700 | FINGER GUARD | 1 | |

NOTE: 01....FOR GM288-3. GM288-4 02....FOR GM288-5

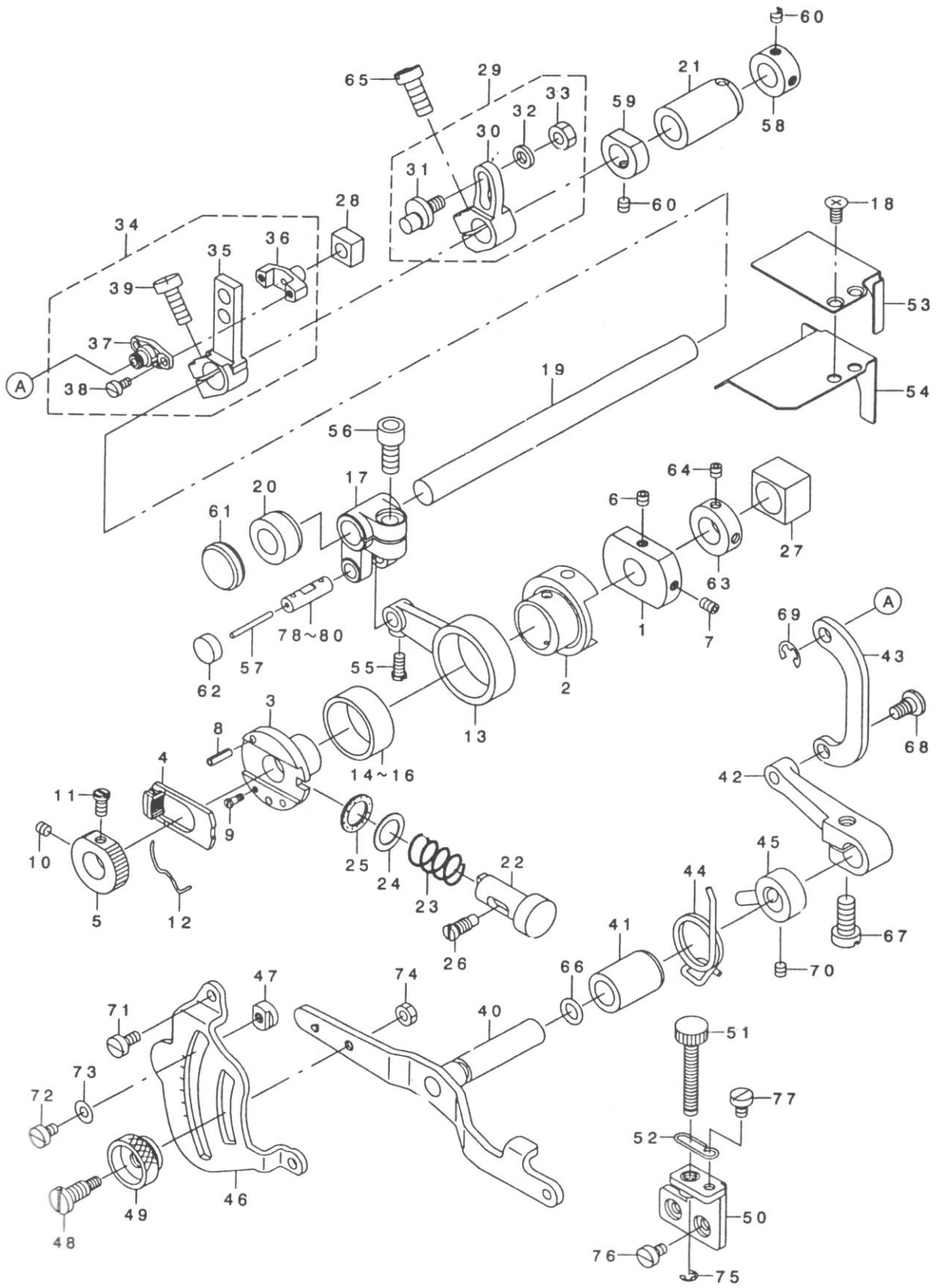
5. PRESSER FOOT COMPONENTS (2)



| REF NO. | PART NO. | DESCRIPTION | Qty | NOTE |
|---------|---------------|---------------------|-----|------|
| 1 | 8066058 | PRESSER FOOT SAM. | 1 | 0 1 |
| 2 | 8067007 | PRESSER FOOT | (1) | |
| 3 | 8067160 | CURL GUARD | (1) | |
| 4 | 8067205 | STITCH TONGUE | (1) | |
| 5 | 8067304 | PRESSER FOOT HINGE | (1) | |
| 6 | 8067403 | SPRING | (1) | |
| 7 | 8067502 | REAR PRESSER FOOT | (1) | |
| 8 | SS-6090670-TP | SCREW 9/64-40 L=6 | (1) | * |
| 9 | 8116306 | SCREW | (1) | |
| 10 | 8116207 | SCREW | (1) | |
| 11 | SS-6060410-TP | SCREW 3/32-56 L=3.5 | (1) | |
| 12 | 8066553 | PRESSER FOOT SAM. | 1 | 0 2 |
| 13 | 8067809 | PRESSER FOOT | (1) | |
| 14 | 8067106 | CURL GUARD | (1) | |
| 15 | 8067908 | STITCH TONGUE | (1) | |
| 16 | 8067304 | PRESSER FOOT HINGE | (1) | |
| 17 | 8067403 | SPRING | (1) | |
| 18 | 8067502 | REAR PRESSER FOOT | (1) | |
| 19 | SS-6090670-TP | SCREW 9/64-40 L=6 | (1) | * |
| 20 | 8116306 | SCREW | (1) | |
| 21 | 8116207 | SCREW | (1) | |
| 22 | SS-6060410-TP | SCREW 3/32-56 L=3.5 | (1) | |
| 23 | 8070050 | PRESSER FOOT SAM. | 1 | 0 3 |
| 24 | 8071009 | PRESSER FOOT | (1) | |
| 25 | 8071108 | PRESSER FOOT HINGE | (1) | |
| 26 | 8071207 | REAR PRESSER FOOT | (1) | |
| 27 | 8071306 | HINGE PIN | (1) | |
| 28 | 8071405 | CLOTH PRESSER | (1) | |
| 29 | 8071504 | HINGE SCREW | (1) | |
| 30 | 8071603 | SPRING | (1) | |
| 31 | SS-6090670-TP | SCREW 9/64-40 L=6 | (1) | * |
| 32 | SS-6060340-SP | SCREW 3/32-56 L=2.5 | (1) | |
| 33 | NS-6080210-SP | NUT 1/8-44 | (1) | |

NOTE: 01....FOR GM288-3
 02....FOR GM288-4
 03....FOR GM288-5

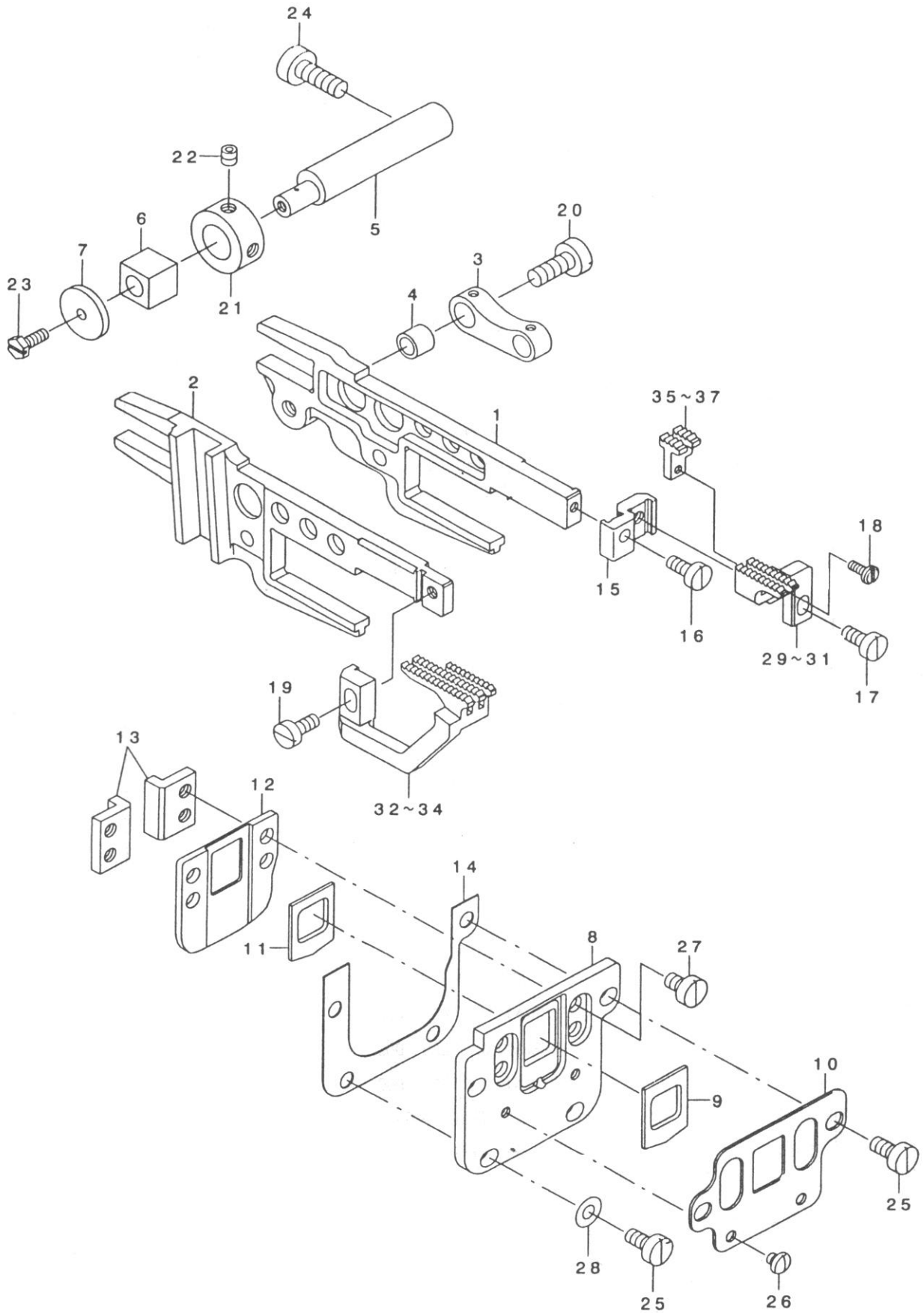
6. FEED MECHANISM COMPONENTS (1)



| REF NO. | PART NO. | DESCRIPTION | Qty | NOTE | REF NO. | PART NO. | DESCRIPTION | Qty | NOTE |
|---------|---------------|-------------------------------|-----|------|---------|---------------|------------------------------|------|------|
| 1 | 8021004 | FEED ECCENTRIC BODY | 1 | | 43 | 8024909 | DIFFERENTIAL FEED LINK | 1 | |
| 2 | 8021103 | FEED CAM | 1 | | 44 | 8025005 | SPRING | 1 | |
| 3 | 8021301 | FEED ADJUSTING CAM | 1 | | 45 | 8025153 | SPRING HOOK SAM. | 1 | |
| 4 | 8021509 | RATCHET PAWL | 1 | | 46 | 8025203 | DIFFERENTIAL FEED GRADUATION | 1 | |
| 5 | 8021608 | RATCHET GEAR | 1 | | 47 | 8025302 | STOPPER | 2 | |
| 6 | SM-8040412-TP | SET SCREW M4 L=4 | 1 | | 48 | 8025401 | HINGE SCREW | 1 | |
| 7 | SM-8040612-TP | SCREW M6 L=6 | 1 | | 49 | 8025500 | LOCK NUT | 1 | |
| 8 | 8101407 | FEED REGULATING PIN | 2 | | 50 | 8025609 | SCREW BASE SAM. | 1 | * |
| 9 | 8117304 | SCREW | 1 | | 51 | 8025807 | SCREW | 1 | |
| 10 | SM-8040412-TP | SET SCREW M4 L=4 | 1 | | 52 | 8025906 | ROTATION STOPPER | 1 | |
| 11 | 8118203 | RATCHET GEAR SET SCREW B | 1 | | 53 | 8026615 | OIL SHIELD A | 1 | * |
| 12 | B1606-704-000 | RATCHET PAWL SPRING | 1 | | 54 | 8026714 | OIL SHIELD B | 1 | * |
| 13 | 8021806 | FEED CRANK ROD | 1 | | 55 | 8115100 | SCREW | 1 | |
| 14 | 8021905 | FEED BEARING A | 1 | 0 1 | 56 | SM-6061402-TP | SCREW M6 L=14 | 1 | |
| 15 | 8022002 | FEED BEARING B | 1 | 0 1 | 57 | CQ-2000000-OO | OIL WICK | 0.04 | |
| 16 | 8022101 | FEED BEARING C | 1 | 0 1 | 58 | 8100201 | THRUST COLLAR | 1 | |
| 17 | 8022200 | FORKEL CRANK | 1 | | 59 | 8027308 | THRUST COLLAR , THIN | 1 | |
| 18 | SM-1040801-SP | SCREW M4X0.7 L=8 | 2 | | 60 | SM-8040412-TP | SET SCREW M4 L=4 | 3 | |
| 19 | 8022408 | FEED SHAFT | 1 | | 61 | 8107305 | RUBBER PLUG | 1 | |
| 20 | 8022507 | FEED SHAFT BUSHING , FRONT | 1 | | 62 | 8106901 | RUBBER PLUG D=10.3 L=4 | 1 | * |
| 21 | 8022606 | FEED SHAFT BUSHING , REAR | 1 | | 63 | 8116504 | SCREW | 1 | * |
| 22 | 8027803 | PUSH BUTTON SHAFT | 1 | * | 64 | RO-0952001-OO | RUBBER RING | 1 | * |
| 23 | 8022804 | PUSH BUTTON SPRING | 1 | | 65 | 8120407 | SCREW | 1 | |
| 24 | 8022903 | WASHER | 1 | | 66 | 8103205 | RUBBER RING | 1 | |
| 25 | 8027902 | PUSH BUTTON SHAFT B | 1 | * | 67 | 8120407 | SCREW | 1 | |
| 26 | 8023117 | PUSH BUTTON SHAFT SCREW | 1 | * | 68 | 8113808 | HINGE SCREW | 1 | |
| 27 | 8023216 | SLIDE BLOCK | 1 | * | 69 | RE-0500000-KO | E-RING | 1 | |
| 28 | 8023703 | DIFFERENTIAL FEED SLIDE BLOCK | 1 | | 70 | SM-8040412-TP | SET SCREW M4 L=4 | 2 | |
| 29 | 8023851 | MAIN FEED ROCKER SAM. | 1 | | 71 | SM-6040800-SP | SCREW | 2 | |
| 30 | 8023802 | MAIN FEED ROCKER | (1) | | 72 | SM-6040600-SP | SCREW M4 L=6 | 2 | |
| 31 | 8027001 | PIN | (1) | | 73 | WP-0450701-SD | WASHER 4.5×10×0.8 | 2 | |
| 32 | 8027100 | WASHER | (1) | | 74 | NM-6040003-SD | NUT M4 | 1 | |
| 33 | NS-6620320-SP | NUT 3/16-32 | (1) | | 75 | RE-0300000-KO | E-RING 3 | 1 | |
| 34 | 8023950 | DIFFERENTIAL FEED ROCKER SAM | 1 | | 76 | SM-6040600-SP | SCREW M4 L=6 | 2 | |
| 35 | 8023901 | DIFFERENTIAL FEED ROCKER | (1) | | 77 | SM-6040600-SP | SCREW M4 L=6 | 1 | |
| 36 | 8024008 | PIN | (1) | | 78 | 8027407 | FORKED CRANK PIN A | 1 | 0 1 |
| 37 | 8024107 | PIN COVER | (1) | | 79 | 8027506 | FORKED CRANK PIN B | 1 | 0 1 |
| 38 | SM-6030600-SP | SCREW M3X0.5 L=6 | (2) | | 80 | 8027605 | FORKED CRANK PIN C | 1 | 0 1 |
| 39 | 8120407 | SCREW | (1) | | 81 | 8027704 | OIL SHIELD | 1 | * |
| 40 | 8024552 | DIFFERENTIAL FEED SHAFT SAM. | 1 | | 82 | SM-6040600-SP | SCREW M4 L=6 | 2 | * |
| 41 | 8024701 | BUSHING | 1 | | 83 | SS-5060310-SP | SCREW 3/32-56 L=2.8 | 2 | * |
| 42 | 8024800 | DIFFERENTIAL FEED ARM | 1 | | | | | | |

NOTE: 01....FOR SELECTIVE PART

7. FEED MECHANISM COMPONENTS (2)



| REF NO. | PART NO. | DESCRIPTION | Qty | NOTE |
|---------|---------------|-------------------------------|-----|------|
| 1 | 8023356 | FEED BAR SAM. | 1 | * |
| 2 | 8023505 | DIFFERENTIAL FEED BAR | (1) | |
| 3 | 8023307 | MAIN FEED BAR | (1) | |
| 4 | 8027209 | MAIN FEED LINK COLLAR | 1 | |
| 5 | 8024214 | FEED BAR SHAFT | 1 | |
| 6 | 8024305 | SLIDE BLOCK | 1 | |
| 7 | 8024404 | WASHER | 1 | |
| 8 | 8026003 | DUST GUARD RUBBER CASE | 1 | |
| 9 | 8026102 | DUST GUARD RUBBER | 1 | |
| 10 | 8026201 | PRESSER PLATE | 1 | |
| 11 | 8026300 | OIL SHIELD RUBBER | 1 | |
| 12 | 8026417 | PRESSER PLATE | 1 | * |
| 13 | 8026508 | FEED BAR SUPPORT | 2 | |
| 14 | 8026904 | DUST GUARD RUBBER CASE GASKET | 1 | |
| 15 | 8026805 | MAIN FEED DOG INSTALLING BASE | 1 | |
| 16 | SS-6090810-TP | SCREW 9/64-40 L=7.5 | 1 | |
| 17 | SS-6090810-TP | SCREW 9/64-40 L=7.5 | 1 | |
| 18 | 8116009 | SCREW | 1 | |
| 19 | SS-6090810-TP | SCREW 9/64-40 L=7.5 | 1 | |
| 20 | SS-6121220-TP | SCREW 3/16-28 L=11.5 | 1 | |
| 21 | 8100102 | THRUST COLLAR | 1 | * |
| 22 | SM-8040412-TP | SET SCREW M4 L=4 | 1 | |
| 23 | 8124102 | SCREW | 1 | |
| 24 | SM-6051400-SP | SCREW | 1 | |
| 25 | SM-6041000-SP | SCREW M4 L=10 | 4 | * |
| 26 | 8117520 | SCREW | 2 | |
| 27 | SM-4040755-SP | SCREW | 4 | * |
| 28 | WP-0430800-SD | WASHER M4 | 2 | |
| 29 | 8076008 | MAIN FEED DOG | 1 | 01 |
| 30 | 8076107 | MAIN FEED DOG | 1 | 02 |
| 31 | 8076206 | MAIN FEED DOG | 1 | 03 |
| 32 | 8078004 | DIFFERENTIAL FEED DOG | 1 | 01 |
| 33 | 8078103 | DIFFERENTIAL FEED DOG | 1 | 02 |
| 34 | 8078202 | DIFFERENTIAL FEED DOG | 1 | 03 |
| 35 | 8080000 | AUXILIARY FEED DOG | 1 | 01 |
| 36 | 8080109 | AUXILIARY FEED DOG | 1 | 02 |
| 37 | 8080208 | AUXILIARY FEED DOG | 1 | 03 |
| 38 | 8023604 | MAIN FEED LINK | 1 | |

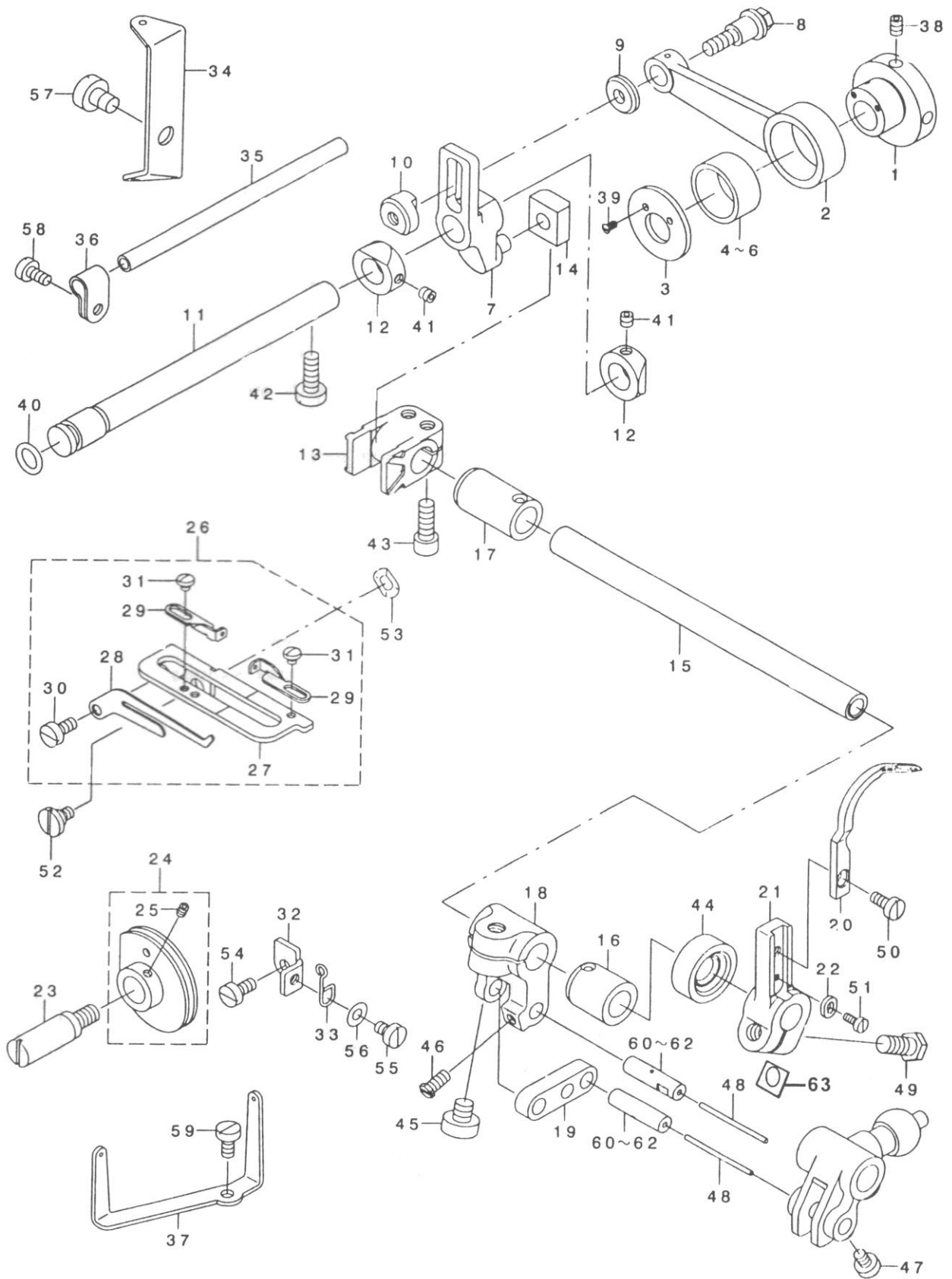
NOTE:

01....FOR GM288-3

02....FOR GM288-4

03....FOR GM288-5

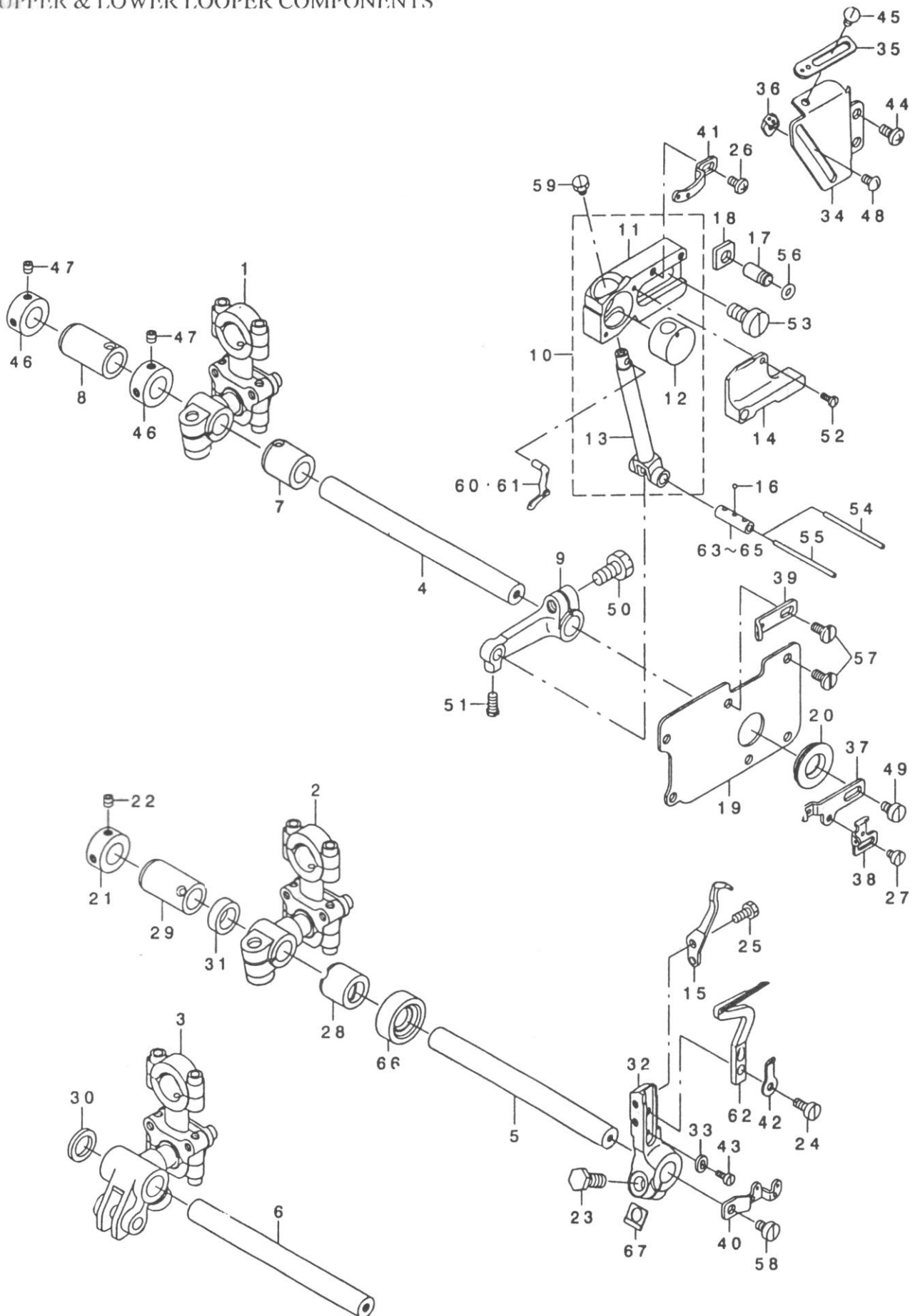
8. CHAIN LOOPER COMPONENTS (FOR GN880-5)



| REF NO | PART NO | DESCRIPTION | Qty | NOTE | REF NO. | PART NO. | DESCRIPTION | Qty | NOTE |
|--------|---------------|--------------------------------|-----|------|---------|---------------|-----------------------------|-----|------|
| 1 | 8028009 | CHAIN LOOPER ECCENTRIC CAM | 1 | | 33 | 8031102 | THREAD GUIDE BASE STOPPER | 1 | |
| 2 | 8028108 | CHAIN LOOPER ROD | 1 | | 34 | 8031201 | LOOPER THREAD CONDUIT GUIDE | 1 | |
| 3 | 8028207 | ECCENTRIC CAM COVER | 1 | | 35 | 8031300 | LOOPER THREAD CONDUIT | 1 | |
| 4 | 8028306 | CHAIN LOOPER ROD BEARING A | 1 | 0 1 | 36 | 8031409 | INSTALLING BASE | 1 | |
| 5 | 8028405 | CHAIN LOOPER ROD BEARING B | 1 | 0 1 | 37 | 8031508 | LOOPER THREAD GUIDE | 1 | |
| 6 | 8028504 | CHAIN LOOPER ROD BEARING C | 1 | 0 1 | 38 | SM-8040612-TP | SCREW M4 L=6 | 2 | |
| 7 | 8028603 | CHAIN LOOPER SHAFT SLIDE ARM | 1 | | 39 | 8116108 | SCREW | 2 | |
| 8 | 8028702 | HINGE SCREW | 1 | | 40 | 8103106 | RUBBER RING | 1 | * |
| 9 | 8028801 | WASHER | 1 | | 41 | SM-8040412-TP | SET SCREW M4 L=4 | 2 | |
| 10 | 8031607 | NUT | 1 | | 42 | SM-6051400-SP | SCREW | 1 | |
| 11 | 8028900 | CHAIN LOOPER SHAFT | 1 | | 43 | SM-6051402-TP | SCREW M5X0.8 L=14 | 2 | |
| 12 | 8029007 | CHAIN LOOPER SHAFT THRUST | 2 | | 4 | 8105507 | OIL SEAL RING | 1 | |
| 13 | 8029106 | SLIDE BLOCK BRACKET | 1 | | 45 | SM-6061402-TP | SCREW M6 L=14 | 1 | |
| 14 | 8029205 | CHAIN LOOPER SLIDE BLOCK | 1 | | 46 | 8115100 | SCREW | 1 | |
| 15 | 8029304 | CHAIN LOOPER SHAFT | 1 | | 47 | SM-6040600-SP | SCREW M6 L=6 | 1 | |
| 16 | 8029403 | BUSHING , FRONT | 1 | | 48 | CQ-2000000-OO | OIL WICK | 0.1 | |
| 17 | 8029502 | BUSHING , REAR | 1 | | 49 | 8125208 | SCREW | 1 | |
| 18 | 8029601 | CHAIN LOOPER SHAFT DRIVING ARM | 1 | | 50 | SS-6090810-SP | SCREW 9/64-40 L=7.5 | 1 | |
| 19 | 8029700 | DRIVING LINK | 1 | | 51 | SM-6850600-SP | SCREW | 1 | |
| 20 | 8082600 | CHAIN LOOPER | 1 | | 52 | 8113907 | HINGE SCREW | 1 | |
| 21 | 8029908 | CHAIN LOOPER DRIVING ARM | 1 | | 53 | WZ-0641510-KP | WAVED WASHER 6.4X11X0.3 | 1 | |
| 22 | 8030005 | LOWER LOOPER STOPPER | 1 | | 54 | SM-6040800-SP | SCREW | 1 | |
| 23 | 8030104 | LOOPER THREAD CAM SHAFT | 1 | | 55 | SM-6040600-SP | SCREW M4 L=6 | 1 | |
| 24 | 8030250 | LOOPER THREAD CAM SAM. | 1 | | 56 | WP-0430800-SD | WASHER M4 | 1 | |
| 25 | SM-8030312-TP | SCREW M3 L=3 | (2) | | 57 | SM-6060800-SP | SCREW M6 L=8 | 1 | |
| 26 | 8030559 | THREAD GUIDE SAM. | 1 | | 58 | SM-6040800-SP | SCREW | 1 | |
| 27 | 8030658 | THREAD GUIDE BASE SAM. | (1) | | 59 | SM-6040800-SP | SCREW | 1 | |
| 28 | 8030807 | LOOPER THREAD CAM CLAW | (1) | | 60 | 8031706 | DRIVING LINK PIN A | 2 | 0 1 |
| 29 | 8030906 | THREAD GUIDE | (2) | | 61 | 8031805 | DRIVING LINK PIN B | 2 | 0 1 |
| 30 | SM-6040800-SP | SCREW | (1) | | 62 | 8031904 | DRIVING LINK PIN C | 2 | 0 1 |
| 31 | 8117502 | SCREW | (2) | | 63 | 8035301 | WASHER | 1 | * |
| 32 | 8031003 | THREAD GUIDE BASE STOPPER BAS | 1 | | | | | | |

NOTE: 01.....FOR SELECTIVE PART

9. UPPER & LOWER LOOPER COMPONENTS



| REF NO. | PART NO. | DESCRIPTION | Qty | NOTE | REF NO. | PART NO. | DESCRIPTION | Qty | NOTE |
|---------|---------------|--------------------------------|-----|-------|---------|---------------|-----------------------------|------|------|
| 1 | 8033157 | UPPER LOOPER BALL HOLDER SAM. | 1 | * | 35 | 8040303 | THREAD GUIDE , RIGHT | 1 | |
| 2 | 8035558 | BALL HOLDER A SAM. | 1 | * 0 1 | 36 | 8040808 | THREAD GUIDE | 1 | |
| 3 | 8035657 | BALL HOLDER B SAM. | 1 | * 0 2 | 37 | 8040402 | THREAD TAKE-UP , RIGHT | 1 | |
| 4 | 8034205 | LOOPER SHAFT | 1 | * | 38 | 8040709 | LOWER LOOPER THREAD TAKE-UP | 1 | |
| 5 | 8033306 | UPPER LOOPER SHAFT | 1 | 0 1 | 39 | 8036507 | THREAD GUIDE , MIDDLE | 1 | |
| 6 | 8035103 | LOWER LOOPER SHAFT | 1 | 0 2 | 40 | 8040907 | LOWER THREAD GUIDE , LEFT | 1 | |
| 7 | 8029403 | BUSHING , FRONT | 1 | | 41 | 8040501 | THREAD GUIDE , UPPER | 1 | |
| 8 | 8029502 | BUSHING , REAR | 1 | | 42 | 8036804 | THREAD GUIDE , LEFT | 1 | |
| 9 | 8033405 | LOOPER HOLDER | 1 | | 43 | SM-6850600-SP | SCREW | 1 | |
| 10 | 8033553 | LOOPER GUIDE SUPPORT SAM. | 1 | | 44 | SM-4040855-SP | SCREW | 2 | |
| 11 | 8033504 | UPPER LOOPER GUIDE SUPPORT | (1) | | 45 | SS-3090610-SP | SCREW 9/64-40 L=6 | 1 | |
| 12 | 8073108 | UPPER LOOPER GUIDE | (1) | | 46 | 8100201 | THRUST COLLAR | 2 | |
| 13 | 8033702 | UPPER LOOPER HOLDER | (1) | | 47 | SM-8040412-TP | SET SCREW M4 L=4 | 4 | |
| 14 | 8033801 | UPPER LOOPER GUIDE COVER | 1 | | 48 | SS-3090610-SP | SCREW 9/64-40 L=6 | 1 | |
| 15 | 8084002 | TRAVELING NEEDLE GUARD | 1 | | 49 | SM-6040600-SP | SCREW M4 L=6 | 1 | |
| 16 | 8034403 | OIL WICK STOP BALL | 1 | | 50 | SM-9061250-TP | SCREW M6 L=12 | 1 | |
| 17 | 8034502 | PIN | 1 | | 51 | 8115100 | SCREW | 1 | |
| 18 | 8034601 | GAUGE | 1 | | 52 | SS-7060610-SP | SCREW 3/32-56 L=5.5 | 2 | |
| 19 | 8034700 | OIL SHIELD | 1 | | 53 | SM-6061200-SP | SCREW | 2 | |
| 20 | 8034809 | UPPER LOOPER SHAFT RUBBER RING | 1 | | 54 | CQ-2000000-OO | OIL WICK | 0.04 | |
| 21 | 8100201 | THRUST COLLAR | 1 | * | 55 | CQ-2020000-OO | OIL WICK | 0.04 | |
| 22 | SM-8040412-TP | SET SCREW M4 L=4 | 2 | * | 56 | 8103007 | RUBBER RING | 1 | |
| 23 | 8125208 | SCREW | 1 | | 57 | 8115209 | SCREW | 6 | |
| 24 | SS-6090810-TP | SCREW 9/64-40 L=7.5 | 1 | | 58 | SM-6040600-SP | SCREW M4 L=6 | 1 | |
| 25 | 8116405 | SCREW | 2 | | 59 | SS-9090410-TP | SCREW | 1 | |
| 26 | SS-4090615-SP | SCREW 9/64-40 L=6 | 1 | | 60 | 8081107 | UPPER LOOPER | 1 | 0 3 |
| 27 | SS-6080410-SP | SCREW 1/8-44 L=4 | 1 | | 61 | 8081008 | UPPER LOOPER | 1 | 0 4 |
| 28 | 8034908 | BUSHING , FRONT | 1 | * | 62 | 8081800 | LOWER LOOPER | 1 | |
| 29 | 8029502 | BUSHING , REAR | 1 | | 63 | 8033900 | UPPER LOOPER HOLDER PIN A | 1 | 0 5 |
| 30 | 8035707 | SPACER | 1 | 0 2 | 64 | 8034007 | UPPER LOOPER HOLDER PIN B | 1 | 0 5 |
| 31 | 8035202 | SPACER | 1 | 0 1 | 65 | 8034106 | UPPER LOOPER HOLDER PIN C | 1 | 0 5 |
| 32 | 8035806 | LOWER LOOPER ARM | 1 | | 66 | 8105507 | OIL SEAL RING | 1 | |
| 33 | 8030005 | LOWER LOOPER STOPPFR | 1 | | 67 | 8035301 | WASHER | 1 | * |
| 34 | 8040204 | LOOPER THREAD TAKE-UP COVER | 1 | | | | | | |

NOTE:

01... FOR GM288-3, GM288-4

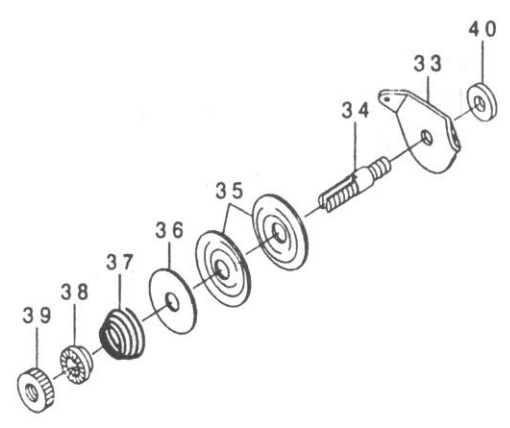
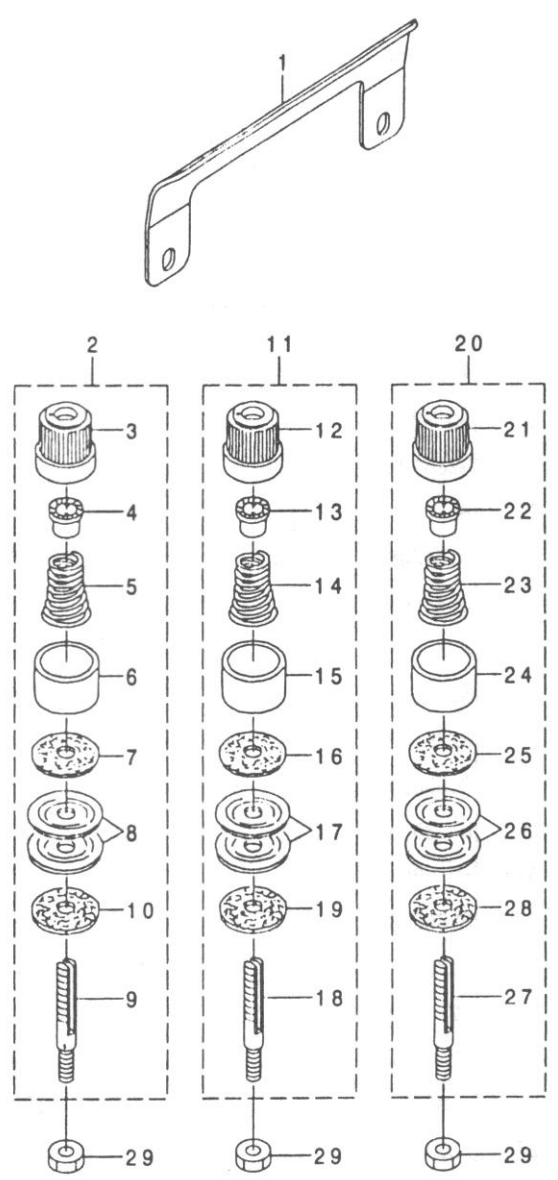
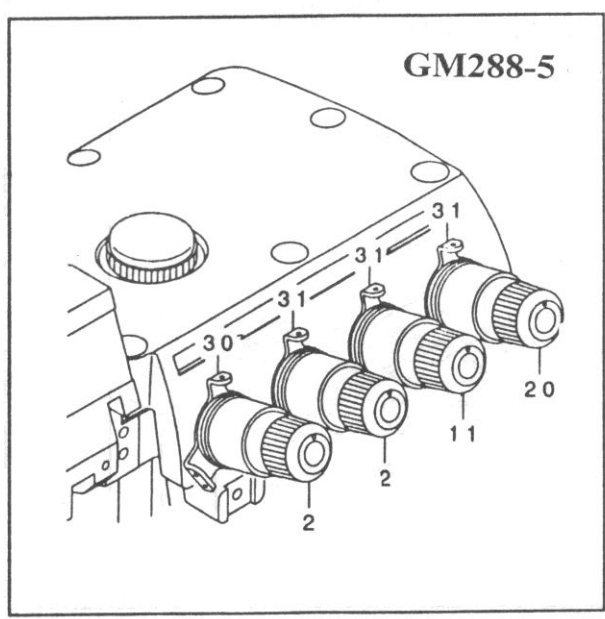
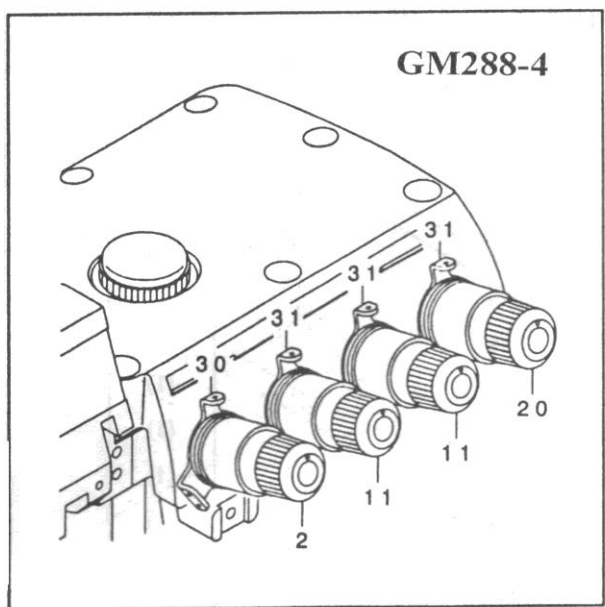
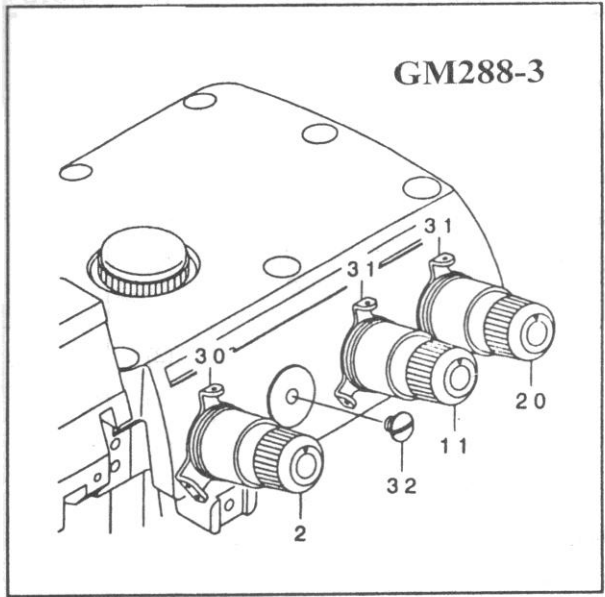
02... FOR GM288-5

03... FOR GM288-3, GM288-5

04... FOR GM288-4

05... FOR SELECTIVE PART

10. THREAD TENSION COMPONENTS



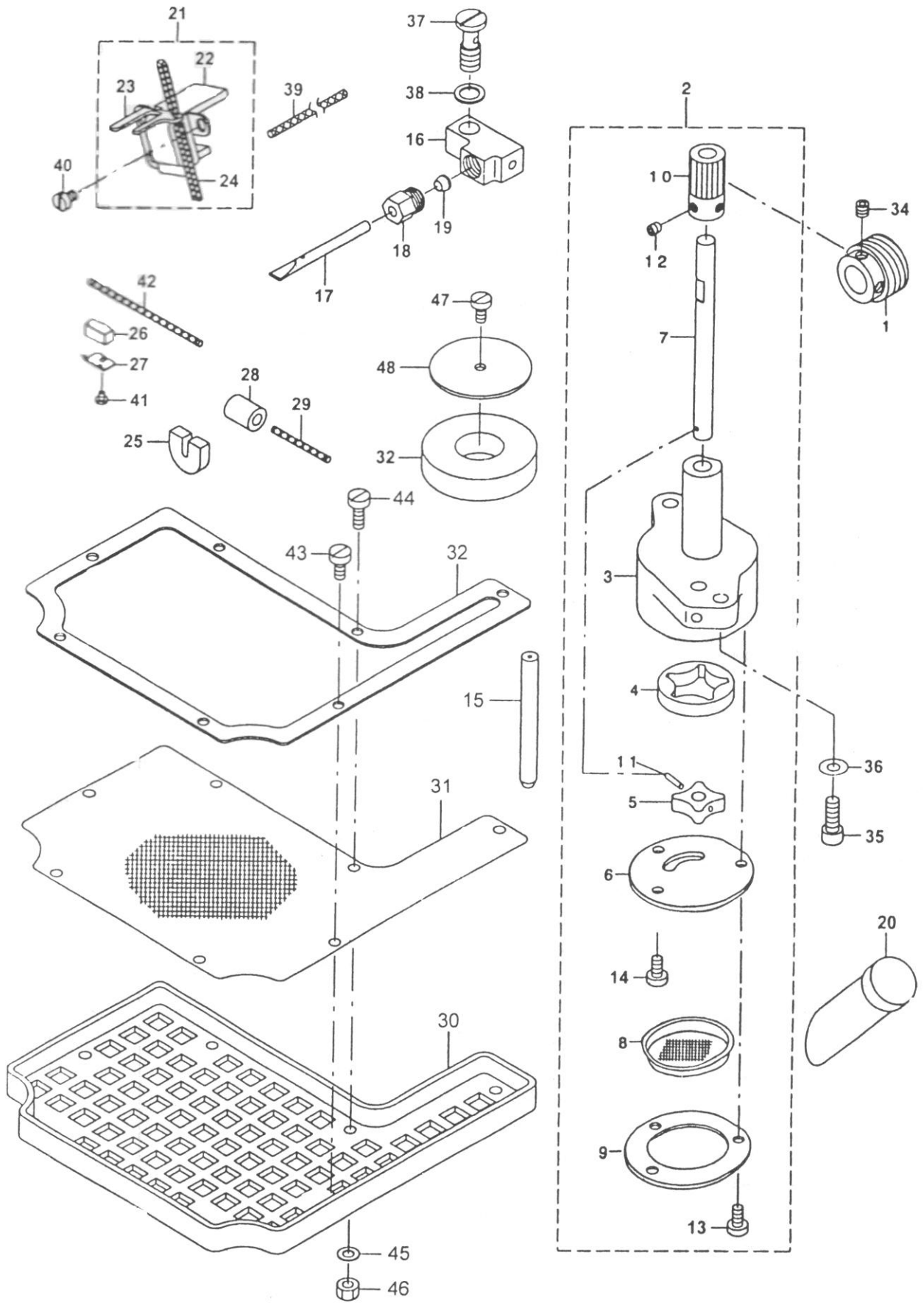
| REF NO. | PART NO. | DESCRIPTION | Qty | NOTE |
|---------|----------|------------------------------|-----|------|
| 1 | 8038008 | CENTER THREAD GUIDE | 1 | |
| 2 | 8038156 | TENSION SPRING SAM. , RED | 1 | |
| 3 | 8285003 | THREAD TENSION KNOB , RED | (1) | |
| 4 | 8285508 | TENSION SPRING BUSHING | (1) | |
| 5 | 8284709 | TENSION SPRING , RED | (1) | |
| 6 | 8285409 | TENSION DISK PRESSER | (1) | |
| 7 | 8285607 | THREAD TENSION SPRING FELT | (1) | |
| 8 | 8285706 | THREAD TENSION DISK | (2) | |
| 9 | 8239402 | TENSION POST | (1) | |
| 10 | 8285805 | THREAD TENSION RUBBER | (1) | |
| 11 | 8038255 | TENSION SPRING SAM. , YELLOW | 1 | |
| 12 | 8285102 | THREAD TENSION KNOB , YELLOW | (1) | |
| 13 | 8285508 | TENSION SPRING BUSHING | (1) | |
| 14 | 8284808 | TENSION SPRING , YELLOW | (1) | |
| 15 | 8285409 | TENSION DISK PRESSER | (1) | |
| 16 | 8285607 | THREAD TENSION SPRING FELT | (1) | |
| 17 | 8285706 | THREAD TENSION DISK | (2) | |
| 18 | 8239402 | TENSION POST | (1) | |
| 19 | 8285805 | THREAD TENSION RUBBER | (1) | |
| 20 | 8038354 | TENSION SPRING SAM. , BLUE | 1 | |
| 21 | 8285201 | THREAD TENSION KNOB , BLUE | (1) | |
| 22 | 8285508 | TENSION SPRING BUSHING | (1) | |
| 23 | 8284907 | TENSION SPRING , BLUE | (1) | |
| 24 | 8285409 | TENSION DISK PRESSER | (1) | |
| 25 | 8285607 | THREAD TENSION SPRING FELT | (1) | |
| 26 | 8285706 | THREAD TENSION DISK | (2) | |
| 27 | 8239402 | TENSION POST | (1) | |
| 28 | 8285805 | THREAD TENSION RUBBER | (1) | |
| 29 | 8108006 | NUT | 1 | |
| 30 | 8039501 | THREAD GUIDE | 1 | |
| 31 | 8039600 | THREAD GUIDE | 1 | |
| 32 | 8119300 | SCREW | 1 | 02 |
| 33 | 8039709 | THREAD GUIDE | 1 | 01 |
| 34 | 8039808 | TENSION POST | 1 | 01 |
| 35 | 8039303 | THREAD TENSION DISK | 2 | 01 |
| 36 | 8039204 | THREAD TENSION FELT | 1 | 01 |
| 37 | 8039907 | TENSION SPRING | 1 | 01 |
| 38 | 8038701 | ROTATING STOPPER | 1 | 01 |
| 39 | 8040004 | NUT | 1 | 01 |
| 40 | 8110705 | THREAD TENSION COLLAR | 1 | 01 |

NOTE:

01....FOR GM288-5

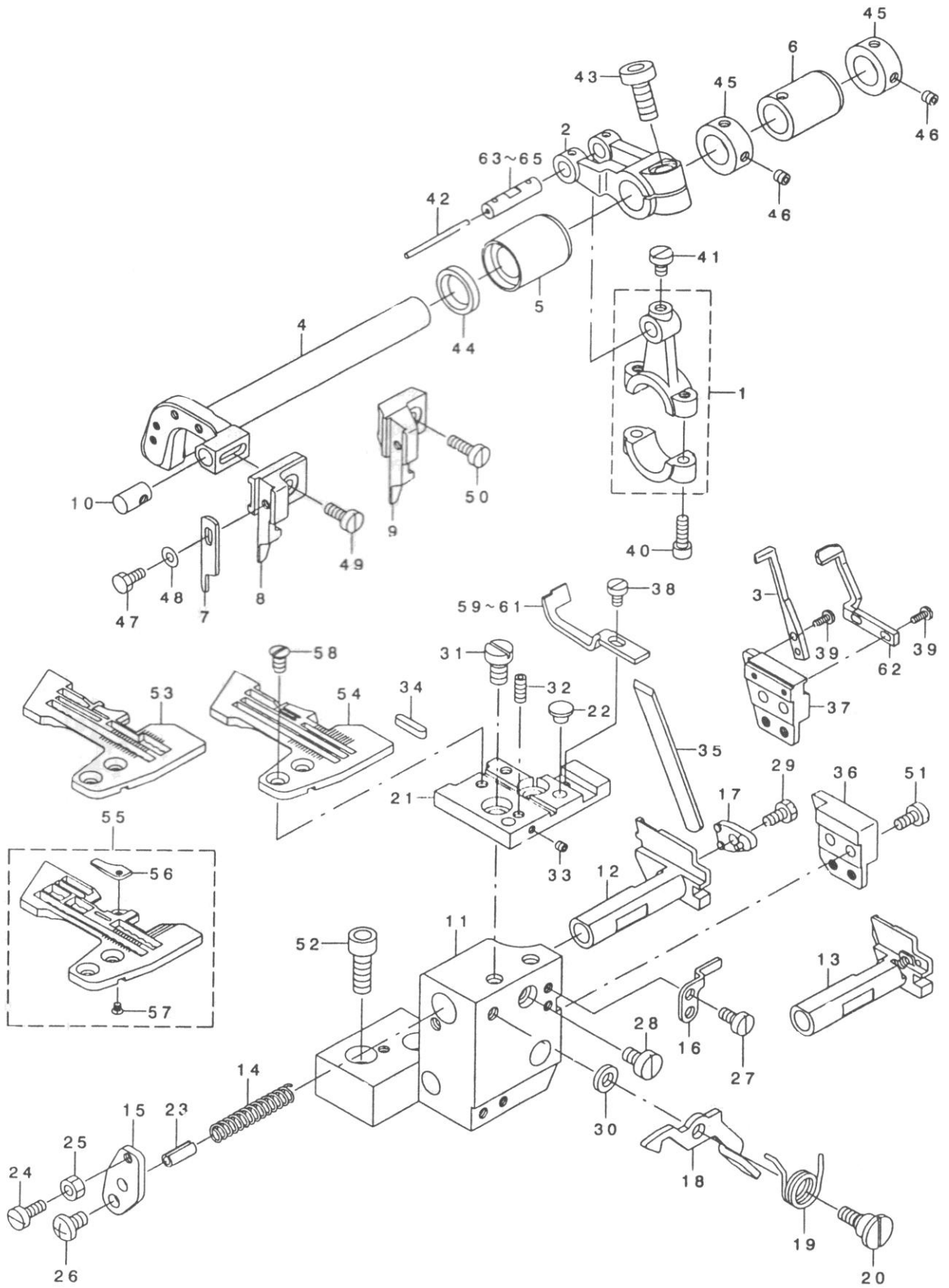
02....FOR GM288-3

II LUBRICATION MECHANISM COMPONENTS



| REF NO. | PART NO. | DESCRIPTION | Qty | NOTE |
|---------|---------------|----------------------------|--------|------|
| 1 | 8041507 | WORM | 1 | |
| 2 | 8041663 | OIL PUMP COMPL. | 1 | |
| 3 | 8041665 | OIL PUMP SAM. | (1) | |
| 4 | 8041804 | OIL PUMP GEAR OUTER RING | (1) | |
| 5 | 8041903 | OIL PUMP GEAR INNER RING | (1) | |
| 6 | 8042000 | OIL PUMP COVER | (1) | |
| 7 | 8042109 | OIL PUMP SHAFT | (1) | |
| 8 | 8042307 | OIL PUMP NET | (1) | |
| 9 | 8042406 | OIL PUMP NET PRESSER | (1) | |
| 10 | 8042505 | WORM GEAR | (1) | |
| 11 | 8101001 | PIN | (1) | |
| 12 | SM-8040412-TP | SET SCREW M4 L=4 | (2) | |
| 13 | SM-6040800-SP | SCREW | (3) | |
| 14 | SM-6040800-SP | SCREW | (1) | |
| 15 | 8042604 | OILING EXIT PIPE | 1 | |
| 16 | 8042752 | OILING EXIT SUPPORT COMPL. | 1 | |
| 17 | 8042802 | OILING EXIT | 1 | |
| 18 | 8042901 | OILING EXIT JOINT A | 1 | |
| 19 | 8043008 | OILING EXIT JOINT B | 1 | |
| 20 | 8043107 | OIL GAUGE | 1 | |
| 21 | 8043255 | OIL FELT SAM. | 1 | |
| 22 | 8043206 | OIL FELT | (1) | |
| 23 | 8043305 | OIL FELT PRESSER | (1) | |
| 24 | CQ-2520000-OO | OIL WICK | (0.11) | |
| 25 | 8043404 | RETURNING OIL FILTER | 1 | |
| 26 | 8043602 | OIL FELT | 1 | |
| 27 | 8043701 | UPPER LOOPIER OIL FELT | 1 | |
| 28 | 8043800 | OIL SUPPLY BUSH | 1 | |
| 29 | CQ-2000000-OO | OIL WICK | 0.03 | |
| 30 | 8044014 | OIL RESERVOIR FILTER BASE | 1 | * |
| 31 | 8044113 | OIL RESERVOIR FILTER | 1 | * |
| 32 | 8044212 | FILTER PRESSER PLATE | 1 | r |
| 33 | 8044303 | MAGNET | 1 | |
| 34 | SM-8040412-TP | SCREW M5 L=5 | 2 | |
| 35 | SM-6051402-TP | SCREW M5X0.8 L=14 | 2 | |
| 36 | WP-0531000-SD | WASHER M5 | 2 | |
| 37 | 8113501 | SCREW | 1 | |
| 38 | 8103601 | GASKET | 1 | |
| 39 | CQ-3030000-OO | OIL WICK | 0.12 | |
| 40 | 8118104 | SCREW | 3 | |
| 41 | SS-7060310-SP | SCREW 3/32-56 L=3 | 1 | |
| 42 | CQ-2520000-OO | OIL WICK | 0.06 | |
| 43 | SM-6040800-SP | SCREW | 2 | |
| 44 | SM-6041000-SP | SCREW M4 L=10 | 5 | |
| 45 | 8110101 | WASHER | 5 | |
| 46 | NM-6040003-SD | NUT M4 | 5 | |
| 47 | SM-6040800-SP | SCREW | 1 | |
| 48 | 8110507 | WASHER | 1 | |

12. KNIFE COMPONENTS



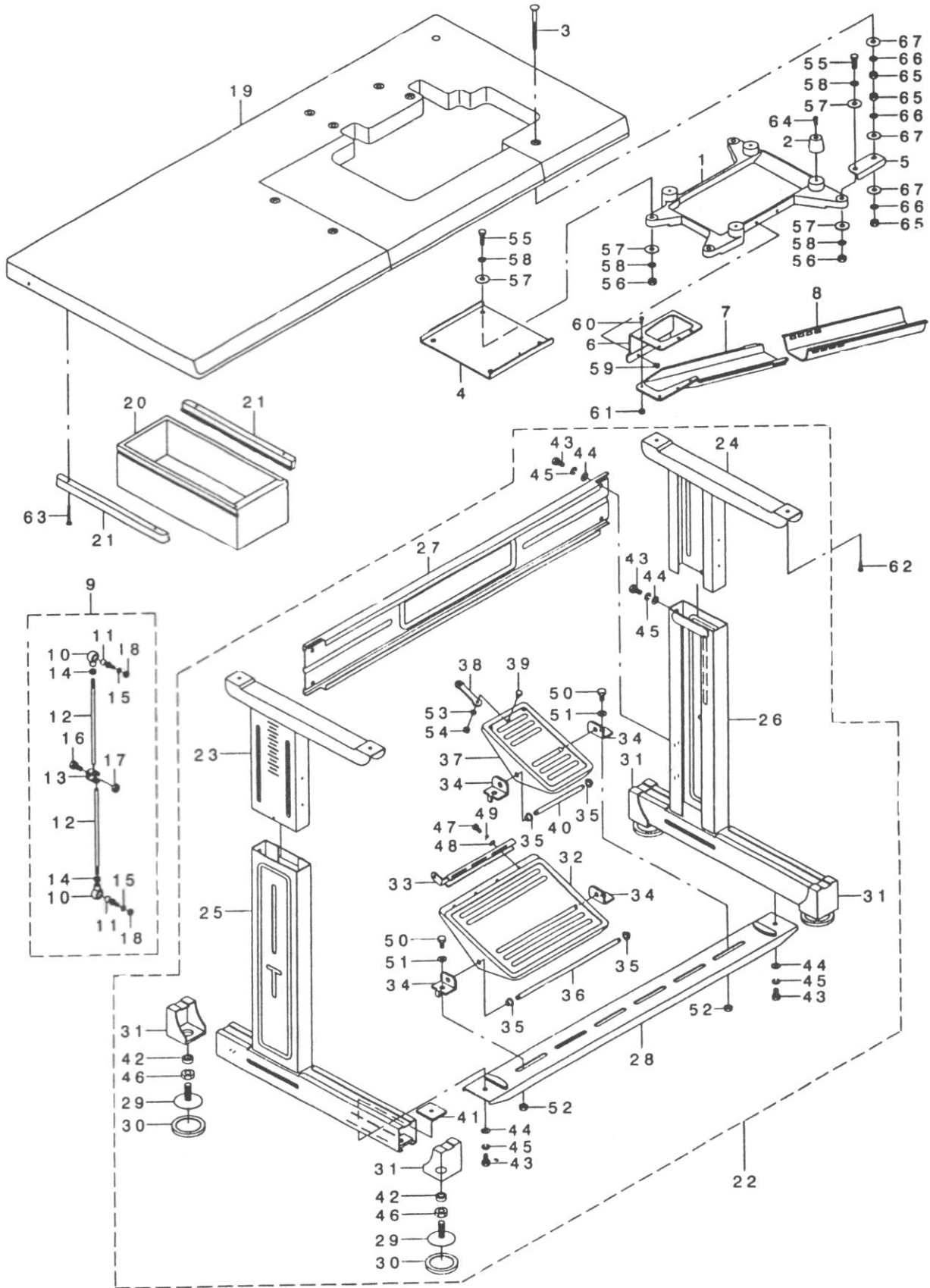
| REF NO. | PART NO. | DESCRIPTION | Qty | NOTE | REF NO. | PART NO. | DESCRIPTION | Qty | NOTE |
|---------|---------------|---------------------------|-----|------|---------|---------------|------------------------------|------|------|
| 1 | 8045003 | UPPER KNIFE ROD | 1 | | 34 | 8047405 | THROAT PLATE POSITIONING KEY | 1 | |
| 2 | 8045102 | UPPER KNIFE FORK ARM | 1 | | 35 | 8047504 | LOWER KNIFE | 1 | |
| 3 | 8084705 | CHAIN LOOPER NEEDLE GUARD | 1 | 02 | 36 | 8046704 | NEEDLE GUARD HOLDER | 1 | 01 |
| 4 | 8045201 | KNIFE DRIVING ARM SHAFT | 1 | | 37 | 8046803 | NEEDLE GUARD HOLDER | 1 | 02 |
| 5 | 8045300 | BUSHING , FRONT | 1 | | 38 | SS-3090610-SP | SCREW 9/64-40 L=6 | 1 | * |
| 6 | 8013001 | BUSHING , REAR | 1 | | 39 | 8116009 | SCREW | 4 | 02 |
| 7 | 8045508 | KNIFE | 1 | | 40 | SM-6041202-TP | SCREW M4X0.7 L=12 | 2 | |
| 8 | 8045607 | UPPER KNIFE SUPPORT | 1 | 01 | 41 | SM-6040600-SP | SCREW M4 L=6 | 1 | |
| 9 | 8045706 | UPPER KNIFE SUPPORT | 1 | 02 | 42 | CQ-2000000-OO | OIL WICK | 0.05 | |
| 10 | 8045805 | UPPER KNIFE GUIDE SHAFT | 1 | | 43 | SM-6061602-TP | SCREW M6 L=16 | 1 | |
| 11 | 8045904 | LOWER KNIFE BRACKET | 1 | | 44 | 8105606 | OIL SEAL | 1 | |
| 12 | 8046001 | LOWER KNIFE SLIDE STUD | 1 | 01 | 45 | 8100409 | THRUST COLLAR | 2 | |
| 13 | 8046100 | LOWER KNIFE SLIDE STUD | 1 | 02 | 46 | SM-8040412-TP | SET SCREW M4 L=4 | 4 | |
| 14 | 8046209 | SPRING | 1 | | 47 | SS-9090813-TP | SCREW 9/64-40 L=8 | 1 | |
| 15 | 8046308 | STOPPER PLATE | 1 | | 48 | WP-0370316-SD | WASHER 3.7X8X0.3 | 1 | |
| 16 | 8046407 | ROTATING STOPPER | 1 | | 49 | SM-6041000-SP | SCREW M4 L=10 | 1 | 01 |
| 17 | 8046605 | LOWER KNIFE HOLDER | 1 | | 50 | SM-6041200-SP | SCREW M4 L=12 | 1 | 02 |
| 18 | 8046902 | LEVER | 1 | | 51 | SM-6040800-SP | SCREW | 2 | |
| 19 | 8047009 | SPRING | 1 | | 52 | SM-6061802-TP | SCREW M6 L=18 | 2 | |
| 20 | 8047108 | HINGE SCREW | 1 | | 53 | R4200-LOE-EOO | THROAT PLATE | 1 | 03 |
| 21 | 8047207 | THROAT PLATE BASE | 1 | | 54 | R4305-LOE-EOO | THROAT PLATE | 1 | 04 |
| 22 | 8047306 | RUBBER PLUG A | 2 | | 55 | R4508-LOE-GOO | THROAT PLATE | 1 | 02 |
| 23 | 8101605 | GUIDE PIN | 1 | | 56 | 8085009 | THROAT PLATE CLAW | (1) | 02 |
| 24 | SM-6041000-SP | SCREW M4 L=10 | 1 | | 57 | SS-1060210-TP | SCREW 3/32-56 L=2.2 | (1) | 02 |
| 25 | NM-6040003-SD | NUT M4 | 1 | | 58 | 8116504 | SCREW | 2 | |
| 26 | SM-4050855-SP | SCREW | 1 | | 59 | 8084101 | NEEDLE GUARD | 1 | 03 |
| 27 | SM-6040800-SP | SCREW | 2 | | 60 | 8084200 | NEEDLE GUARD | 1 | 04 |
| 28 | SM-6050800-SP | SCREW M5 L=8 | 1 | | 61 | 8084408 | CHAIN LOOPER NEEDLE GUARD | 1 | 02 |
| 29 | SM-9040800-SP | SCREW | 1 | | 62 | 8084507 | CHAIN LOOPER NEEDLE GUARD | 1 | 02 |
| 30 | 8110804 | WASHER | 1 | | 63 | 8016202 | CRANK PIN A | 1 | 05 |
| 31 | 8120308 | SCREW | 2 | | 64 | 8016400 | CRANK PIN B | 1 | 05 |
| 32 | SM-8041012-TP | SCREW M4 L=10 | 1 | | 65 | 8016509 | CRANK PIN C | 1 | 05 |
| 33 | SM-8030312-TP | SCREW M3 L=3 | 1 | | | | | | |

NOTE: 01....FOR GM288-3, GM288-4
02....FOR GM288-5
03....FOR GM288-3
04....FOR GM288-4
05....FOR SELECTIVE PART

| REF NO. | PART NO. | DESCRIPTION | Qty | NOTE | REF NO. | PART NO. | DESCRIPTION | Qty | NOTE |
|---------|----------|----------------------------|-----|------|---------|----------|-----------------------|------|------|
| 1 | 8048007 | FRAME SUPPORT PLATE SAM. | 1 | | 32 | 8051852 | PEDAL COMPL. | (1) | |
| 2 | 8048106 | RUBBER CUSHION | 4 | | 33 | 8052009 | PEDAL ADJUSTING PLATE | (1) | |
| 3 | 8048205 | BOLT A | 4 | | 34 | 8052108 | PEDAL SUPPORT | (4) | |
| 4 | 8047900 | BOLT SPACER | 4 | | 35 | 8052207 | BUSHING | (4) | |
| 5 | 8111307 | WASHER | 8 | | 36 | 8052306 | PEDAL SHAFT | (1) | |
| 6 | 8049401 | CLOTH WASTE CHUTE INLET | 1 | | 37 | 8052405 | PRESSER LIFTING PEDAL | (1) | |
| 7 | 8048502 | CLOTH WASTE CHUTE (UPPER) | 1 | | 38 | 8052504 | CHAIN HOOK | (1) | |
| 8 | 8048601 | CLOTH WASTE CHUTE (LOWER) | 1 | | 39 | 8052603 | SCREW | (1) | |
| 9 | 8048759 | CONNECTING ROD JOINT SAM. | 1 | 0 1 | 40 | 8052702 | PEDAL SHAFT | (1) | |
| 10 | 8048700 | CONNECTING ROD JOINT | (2) | | 41 | 8052801 | NUT | (2) | |
| 11 | 8048809 | CONNECTING ROD JOINT A | (2) | | 42 | 8052900 | COLLAR | (4) | |
| 12 | 8048908 | CONNECTING ROD | (2) | | 43 | 8125307 | BOLT | (16) | |
| 13 | 8049005 | CONNECTING BASE | (1) | | 44 | 8111109 | WASHER | (16) | |
| 14 | 8108808 | NUT | (2) | | 45 | 8112206 | SPRING WASHER | (16) | |
| 15 | 8112107 | SPRING WASHER | (2) | | 46 | 8109301 | NUT | (4) | |
| 16 | 8125307 | BOLT | (1) | | 47 | 8124706 | SCREW | (2) | |
| 17 | 8109004 | NUT | (1) | | 48 | 8110903 | WASHER | (2) | |
| 18 | 8108008 | NUT | (2) | | 49 | 8112107 | SPRING WASHER | (2) | |
| 19 | 8049104 | TABLE SAM. (SEMI-SUNKEN) | 1 | 0 1 | 50 | 8125307 | BOLT | (4) | |
| 20 | 8049203 | DRAWER | 1 | 0 1 | 51 | 8111109 | WASHER | (8) | |
| 21 | 8049302 | DRAWER SUPPORT | 2 | 0 1 | 52 | 8109004 | NUT | (4) | |
| 22 | 8050052 | T-STAND COMPL. | 1 | 0 1 | 53 | 8112107 | SPRING WASHER | (1) | |
| 23 | 8050151 | UPPER STAND COMPL. (LEFT) | (1) | | 54 | 8108808 | NUT | (1) | |
| 24 | 8050250 | UPPER STAND COMPL. (RIGHT) | (1) | | 55 | 8126107 | SCREW | 4 | |
| 25 | 8050557 | LOWER STAND COMPL. (LEFT) | (1) | | 56 | 8126602 | SCREW | 3 | * |
| 26 | 8050656 | LOWER STAND COMPL. (RIGHT) | (1) | | 57 | 8126206 | WOOD SCREW | 4 | 0 1 |
| 27 | 8051209 | SIDE STRUT | (1) | | 58 | 8126503 | SCREW | 4 | 0 1 |
| 28 | 8051308 | LOWER STRUT | (1) | | 59 | 8113709 | SCREW | 4 | |
| 29 | 8051456 | ADJUSTING SCREW COMPL. | (4) | | 60 | 8109004 | NUT | 4 | |
| 30 | 8051605 | BASE CAF | (4) | | 61 | 8112206 | SPRING WASHER | 4 | |
| 31 | 8051704 | STAND BASE CAP | (4) | | | | | | |

NOTE: 01....EXCLUDED WHEN DELIVERING HEAD ONLY

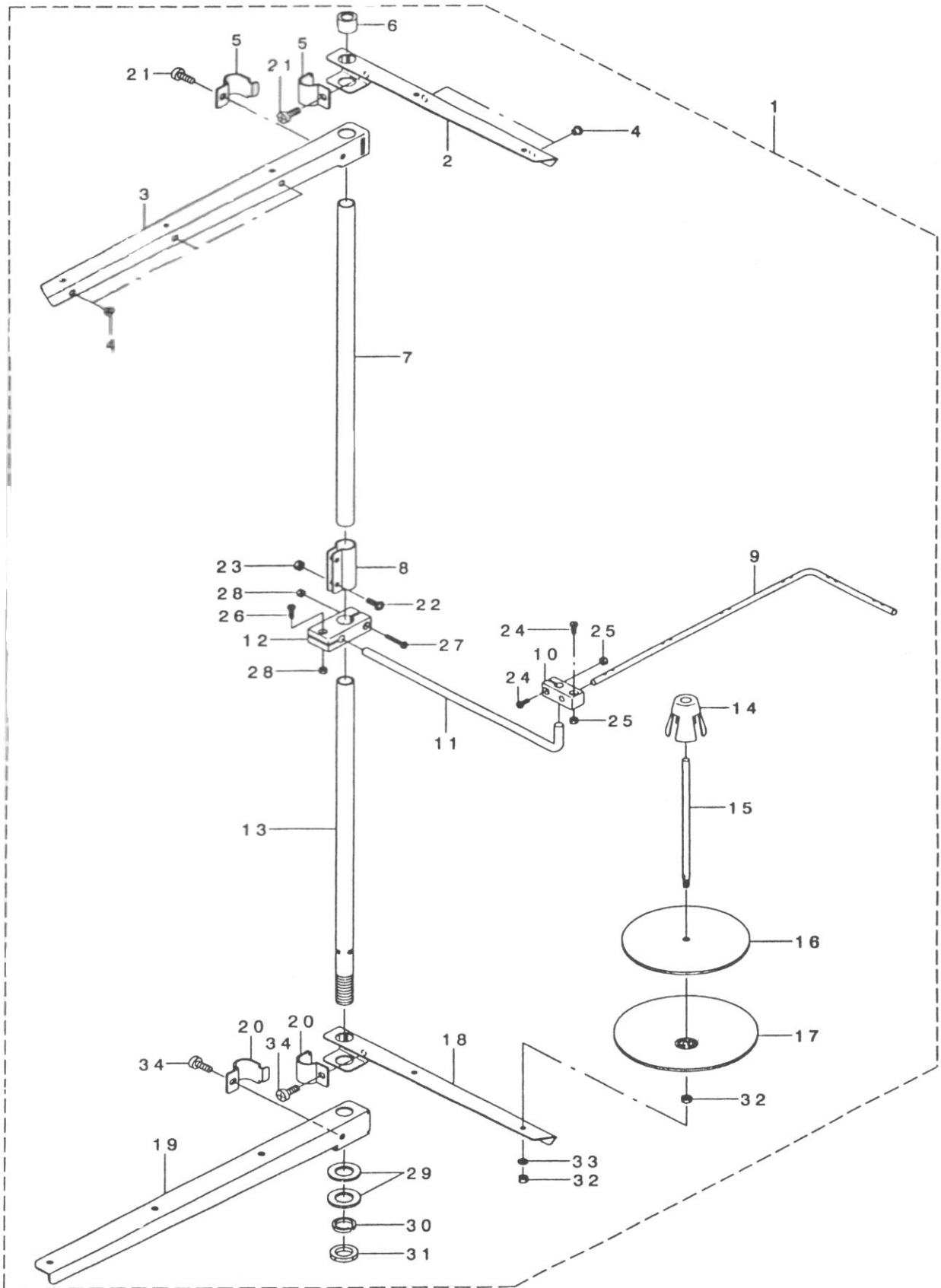
14. FULLY-SUNKEN TYPE TABLE COMPONENTS



| REF NO. | PART NO. | DESCRIPTION | Qty | NOTE | REF NO. | PART NO. | DESCRIPTION | Qty | NOTE |
|---------|----------|-------------------------------|-----|------|---------|---------------|-----------------------|------|------|
| 1 | 8048007 | FRAME SUPPORT PLATE SAM. | 1 | | 35 | 8052207 | BUSHING | (4) | |
| 2 | 8048106 | RUBBER CUSHION | 4 | | 36 | 8052306 | PEDAL SHAFT | (1) | |
| 3 | 8053205 | BOLT B | 4 | | 37 | 8052405 | PRESSER LIFTING PEDAL | (1) | |
| 4 | 8053304 | AUXILIART PLATE A | 1 | | 38 | 8052504 | CHAIN HOOK | (1) | |
| 5 | 8053403 | AUXILIART PLATE B | 1 | | 39 | 8052603 | SCREW | (1) | |
| 6 | 8053502 | SUPPORT PLATE | 1 | | 40 | 8052702 | PEDAL SHAFT | (1) | |
| 7 | 8048502 | CLOTH WASTE CHUTE (UPPER) | 1 | | 41 | 8052801 | NUT | (2) | |
| 8 | 8048601 | CLOTH WASTE CHUTE (LOWER) | 1 | | 42 | 8052900 | COLLAR | (4) | |
| 9 | 8048759 | CONNECTING ROD JOINT SAM. | 1 | 0 1 | 43 | 8125307 | BOLT | (16) | |
| 10 | 8048700 | CONNECTING ROD JOINT | (2) | | 44 | 8111109 | WASHER | (16) | |
| 11 | 8048809 | CONNECTING ROD JOINT A | (2) | | 45 | 8112206 | SPRING WASHER | (16) | |
| 12 | 8048908 | CONNECTING ROD | (2) | | 46 | 8109301 | NUT | (4) | |
| 13 | 8049005 | CONNECTING BASE | (1) | | 47 | 8124706 | SCREW | (2) | |
| 14 | 8108808 | NUT | (2) | | 48 | 8110903 | WASHER | (2) | |
| 15 | 8112107 | SPRING WASHER | (2) | | 49 | 8112107 | SPRING WASHER | (2) | |
| 16 | 8125307 | BOLT | (1) | | 50 | 8125307 | BOLT | (4) | |
| 17 | 8109004 | NUT | (1) | | 51 | 8111109 | WASHER | (8) | |
| 18 | 8108808 | NUT | (2) | | 52 | 8109004 | NUT | (4) | |
| 19 | 8053650 | TABLE SAM., FULLY-SUNKEN TYPE | 1 | 0 1 | 53 | 8112107 | SPRING WASHER | (1) | |
| 20 | 8049203 | DRAWER | 1 | 0 1 | 54 | 8108808 | NUT | (1) | |
| 21 | 8049302 | DRAWER SUPPORT | 2 | 0 1 | 55 | 8125406 | BOLT | 3 | |
| 22 | 8050052 | T-STAND COMPL. | 1 | 0 1 | 56 | 8109004 | NUT | 3 | |
| 23 | 8050151 | UPPER STAND COMPL. (LEFT) | (1) | | 57 | 8111307 | WASHER | 6 | |
| 24 | 8050250 | UPPER STAND COMPL. (RIGHT) | (1) | | 58 | 8112206 | SPRING WASHER | 6 | |
| 25 | 8050557 | LOWER STAND COMPL. (LEFT) | (1) | | 59 | SM-4050855-SP | SCREW | 2 | |
| 26 | 8050656 | LOWER STAND COMPL. (RIGHT) | (1) | | 60 | SM-6041200-SP | SCREW | 4 | |
| 27 | 8051209 | SIDE STRUT | (1) | | 61 | 8108303 | NUT | 4 | |
| 28 | 8051308 | LOWER STRUT | (1) | | 62 | 8126206 | WOOD SCREW | 4 | 0 1 |
| 29 | 8051456 | ADJUSTING SCREW COMPL. | (4) | | 63 | 8126503 | SCREW | 4 | 0 1 |
| 30 | 8051605 | BASE CAP | (4) | | 64 | 8113709 | SCREW | 4 | |
| 31 | 8051704 | STAND BASE CAP | (4) | | 65 | 8109004 | NUT | 12 | |
| 32 | 8051852 | PEDAL COMPL. | (1) | | 66 | 8112206 | SPRING WASHER | 12 | |
| 33 | 8052009 | PEDAL ADJUSTING PLATE | (1) | | 67 | 8111307 | WASHER | 12 | |
| 34 | 8052108 | PEDAL SUPPORT | (4) | | | | | | |

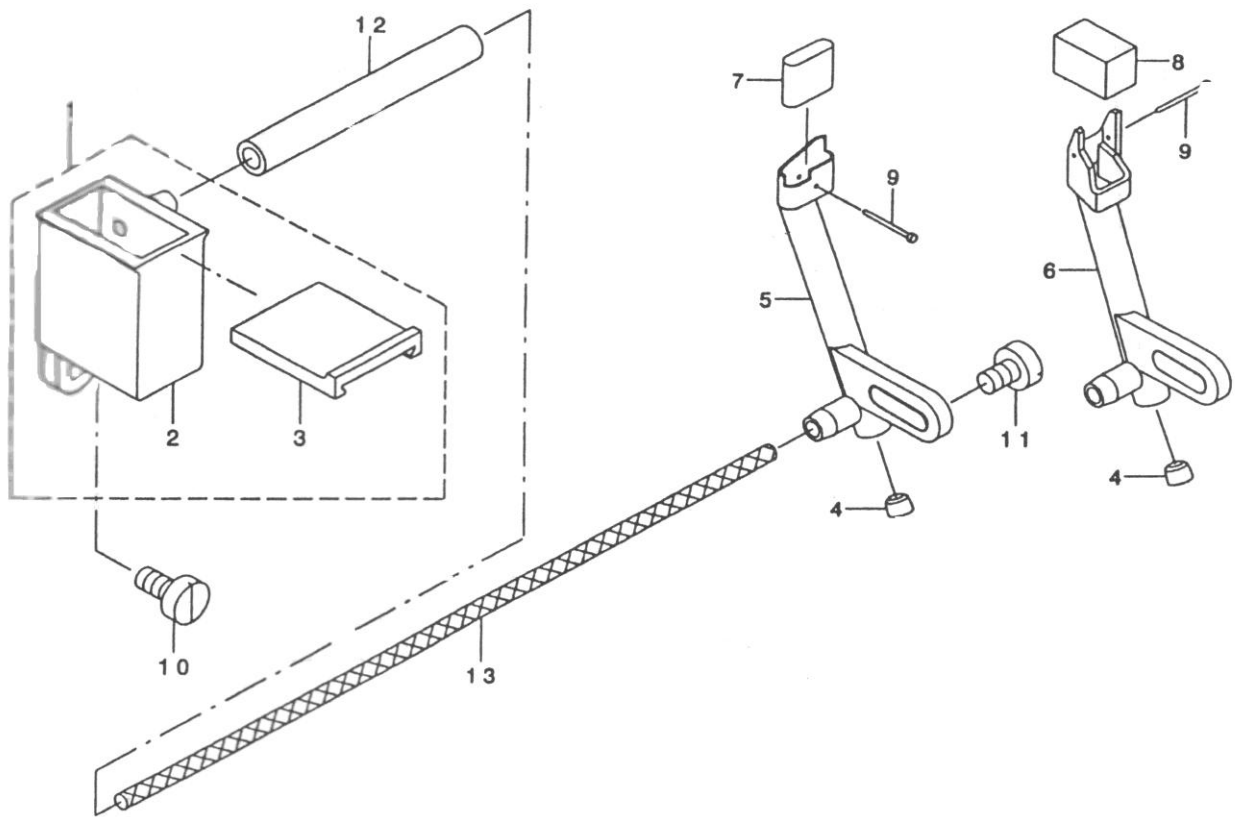
NOTE: 01....EXCLUDED WHEN DELIVERING HEAD ONLY

15. THREAD STAND COMPONENTS



| REF NO. | PART NO. | DESCRIPTION | Qty | NOTE |
|---------|---------------|-----------------------------|-----|------|
| 1 | 8060150 | THREAD STANDING DEVICE SAM. | 1 | |
| 2 | 8330507 | SPOOL REST ARM | (1) | |
| 3 | 8061703 | SPOOL REST ARM , LONG | (1) | |
| 4 | 8331208 | THREAD GUIDE | (5) | |
| 5 | 8330705 | THREAD GUIDE ARM JOINT | (2) | |
| 6 | 8331406 | SPOOL REST ROD RUBBER CAP | (1) | |
| 7 | 8330408 | SPOOL REST ROD , UPPER | (1) | |
| 8 | 8331307 | SPOOL REST ROD JOINT | (1) | |
| 9 | 8060705 | SPOOL REST ROD , LOWER | (1) | |
| 10 | 8060804 | LOWER SPOOL REST ROD BASE | (1) | |
| 11 | 8060903 | THREAD GUIDE ARM | (1) | |
| 12 | 8061000 | THREAD GUIDE ARM BASE | (1) | |
| 13 | 8330309 | SPOOL REST ROD , LOWER | (1) | |
| 14 | 8331109 | SPOOL RETAINER | (5) | |
| 15 | 8331000 | SPOOL PIN | (5) | |
| 16 | 8330903 | SPOOL REST CUSHION | (5) | |
| 17 | 8330804 | SPOOL REST | (5) | |
| 18 | 8330507 | SPOOL REST ARM | (1) | |
| 19 | 8061703 | SPOOL REST ARM , LONG | (1) | |
| 20 | 8330705 | THREAD GUIDE ARM JOINT | (2) | |
| 21 | SM-6061610-SC | SCREW M6 L=16 | (2) | * |
| 22 | SM-4051405-SE | SCREW M5 L=14 | (2) | |
| 23 | NM-6050001-SE | NUT M5 | (2) | |
| 24 | 8118302 | SCREW | (2) | |
| 25 | 8108303 | NUT | (2) | |
| 26 | 8118401 | SCREW A | (1) | |
| 27 | 8118500 | SCREW B | (1) | |
| 28 | 8108303 | NUT | (2) | |
| 29 | WP-1702600-SO | WASHER 17X30X2.6 | (2) | |
| 30 | WS-1643202-KR | SPRING WASHER | (1) | |
| 31 | NM-6160511-SE | NUT M16X1.5 | (1) | |
| 32 | NM-6050001-SE | NUT M5 | (5) | |
| 33 | WS-0510002-KN | SPRING WASHER | (5) | |
| 34 | SM-6061610-SC | SCREW M6 L=16 | (2) | |

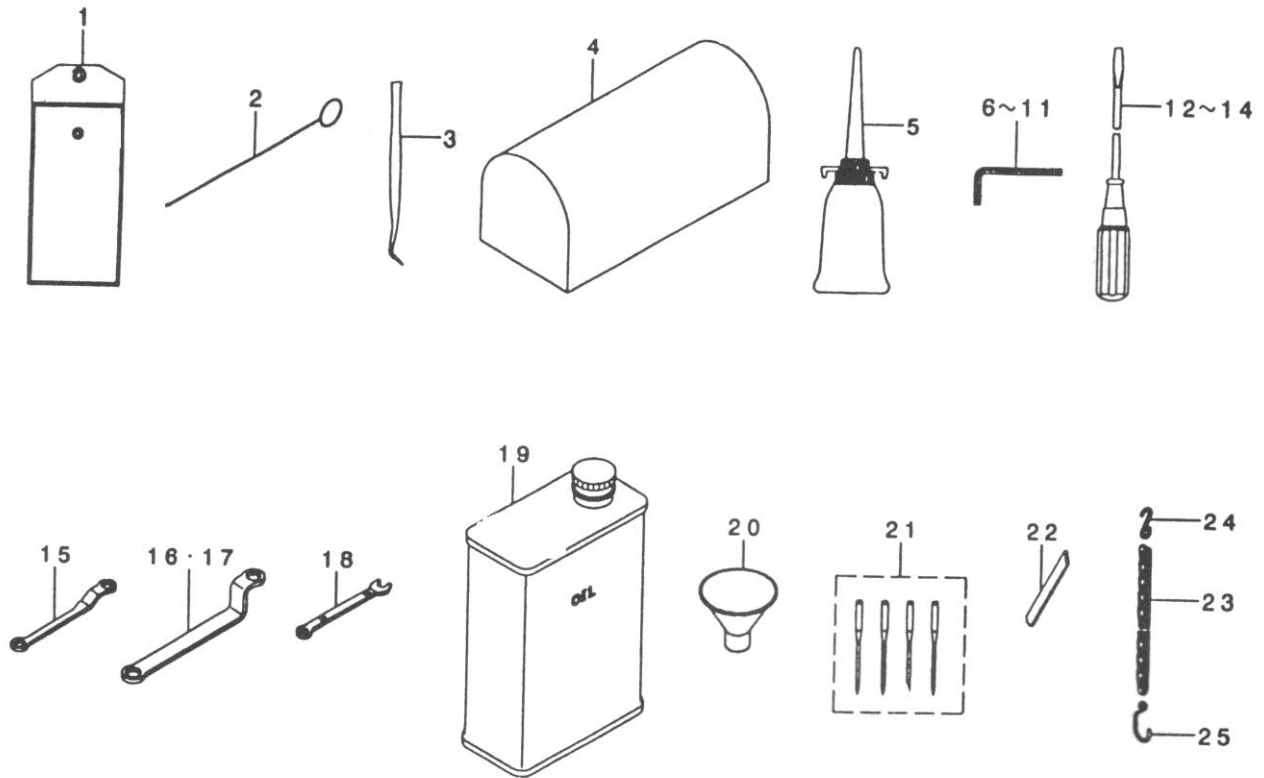
16. NEEDLE COOLER COMPONENTS



| REF NO. | PART NO. | DESCRIPTION | Qty | NOTE |
|---------|---------------|-----------------------------|------|------|
| 1 | 8058550 | NEEDLE COOLER TANK SAM. | 1 | |
| 2 | 8058501 | NEEDLE COOLER TANK | (1) | |
| 3 | 8058600 | TANK COVER | (1) | |
| 4 | 8106505 | PLUG | 1 | |
| 5 | 8058709 | NEEDLE COOLER UNIT (OVER) | 1 | 01 |
| 6 | 8058804 | NEEDLE COOLER UNIT (INTER) | 1 | 02 |
| 7 | 8059103 | NEEDLE COOLER FELT | 1 | 01 |
| 8 | 8058907 | NEEDLE COOLER FELT | 1 | 02 |
| 9 | 8059004 | NEEDLE COOLER FELT PRESSER | 1 | |
| 10 | SM-6040800-SP | SCREW | 1 | |
| 11 | SM-6040600-SP | SCREW M4 L=6 | 2 | |
| 12 | 8102603 | NEEDLE COOLER PIPE | 0.05 | |
| 13 | 8102405 | NEEDLE COOLER OIL WICK | 0.15 | |

NOTE: 01....FOR GM288-3, GM288-4
 02....FOR GM288-5

17. ACCESSORIE PART COMPONENTS



| REF NO. | PART NO. | DESCRIPTION | Qty | NOTE |
|---------|--------------|--------------------------------|-----|------|
| 1 | 8055002 | ACCESSORY PACK | 1 | |
| 2 | 8055101 | THREADER | 1 | |
| 3 | 8055200 | TWEEZERS | 1 | |
| 4 | 8055309 | VINYL HEAD COVER | | |
| 5 | 8055408 | OILER | 1 | |
| 6 | 8056802 | HEXAGONAL WRENCH , 1.5 | 1 | |
| 7 | 8055606 | HEXAGONAL WRENCH , 2.0 | 1 | |
| 8 | 8055705 | HEXAGONAL WRENCH , 2.5 | 1 | |
| 9 | 8055804 | HEXAGONAL WRENCH , 3.0 | 1 | |
| 10 | 8055903 | HEXAGONAL WRENCH , 4.0 | 1 | |
| 11 | 8056000 | HEXAGONAL WRENCH , 5.0 | 1 | |
| 12 | 8056109 | SCREWDRIVER , SMALL | 1 | |
| 13 | 8056208 | SCREWDRIVER , MIDDLE | 1 | |
| 14 | 8056307 | SCREWDRIVER , LARGE | 1 | |
| 15 | 8056505 | SPECTALE WRENCH , 7×7 | 1 | |
| 16 | 8056406 | SPECTALE WRENCH , 5.5 | 1 | |
| 17 | 8056703 | SPECTALE WRENCH , 9.0 | 1 | |
| 18 | 8057701 | WRENCH , 5×6 | 1 | |
| 19 | 8057107 | OIL | 1 | |
| 20 | 8057206 | FUNNEL | 1 | |
| 21 | MDC-270B1104 | NEEDLE DC×27#11-4EA | 1 | |
| 22 | 8047504 | LOWER KNIFE | 1 | |
| 23 | 8057404 | CHAIN | 1 | |
| 24 | 8057503 | S-SHAPED MFTAL FITTING , SMALL | 1 | |
| 25 | 8057602 | S-SHAPED MFTAL FITTING , LARGE | 1 | |