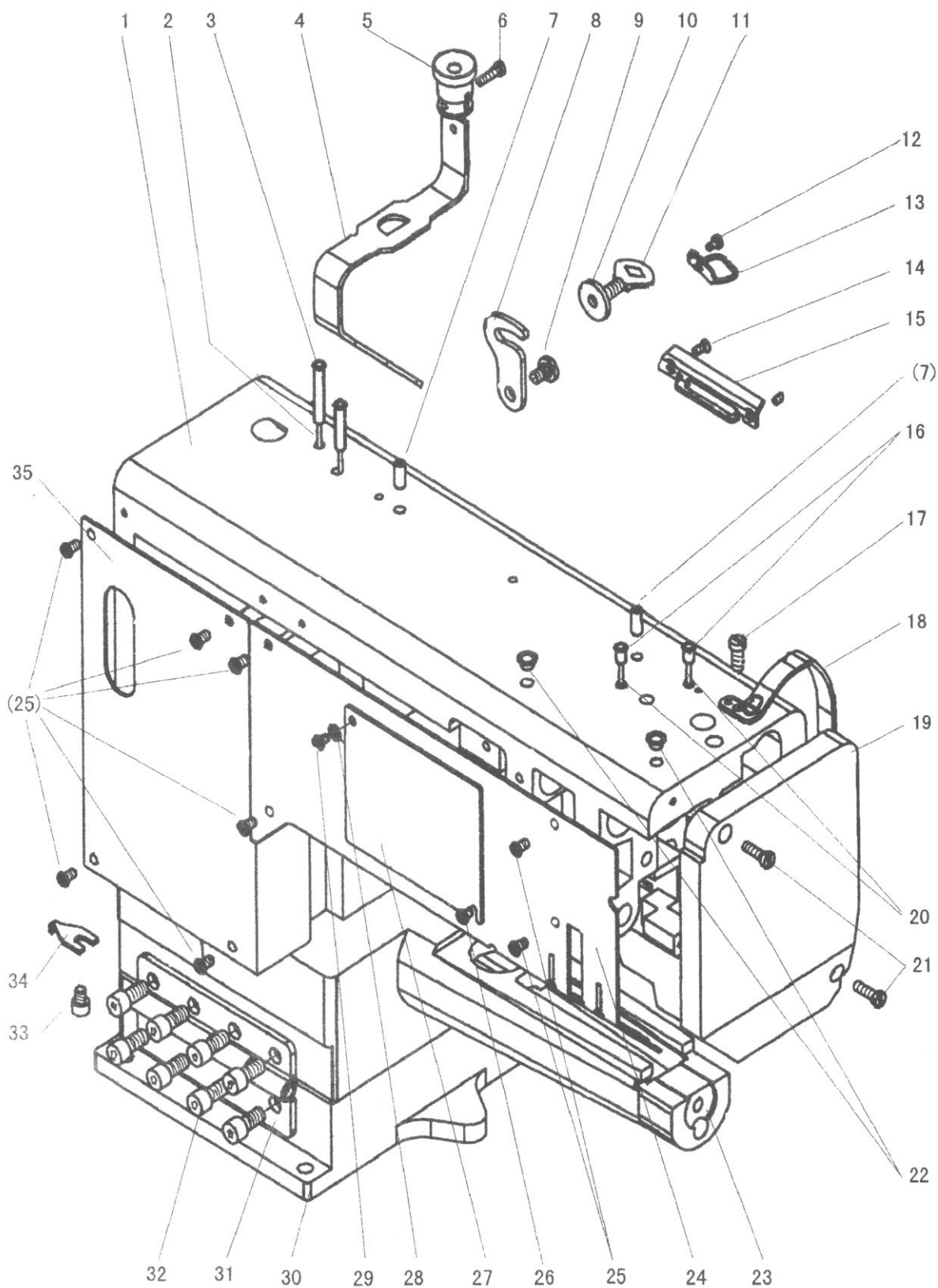


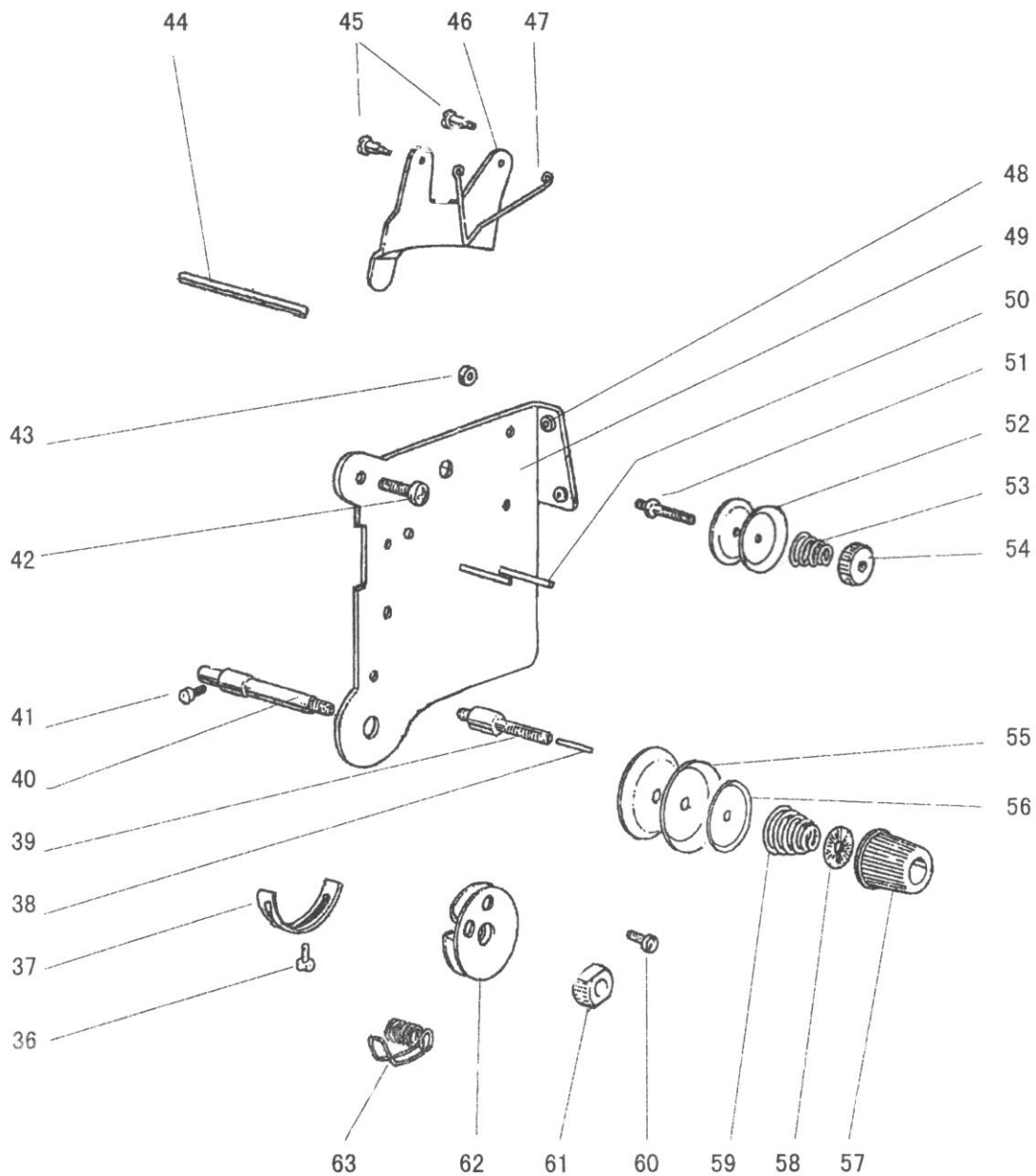
**WYKAZ CZĘŚCI**  
**DO LAMOWACZA HIGHLEAD**  
**MODEL**  
**GC2698-1 / GC2698-1B**

# A. ARM BED AND ITS ACCESSORIES (1)



# A. ARM BED AND ITS ACCESSORIES (2)

---



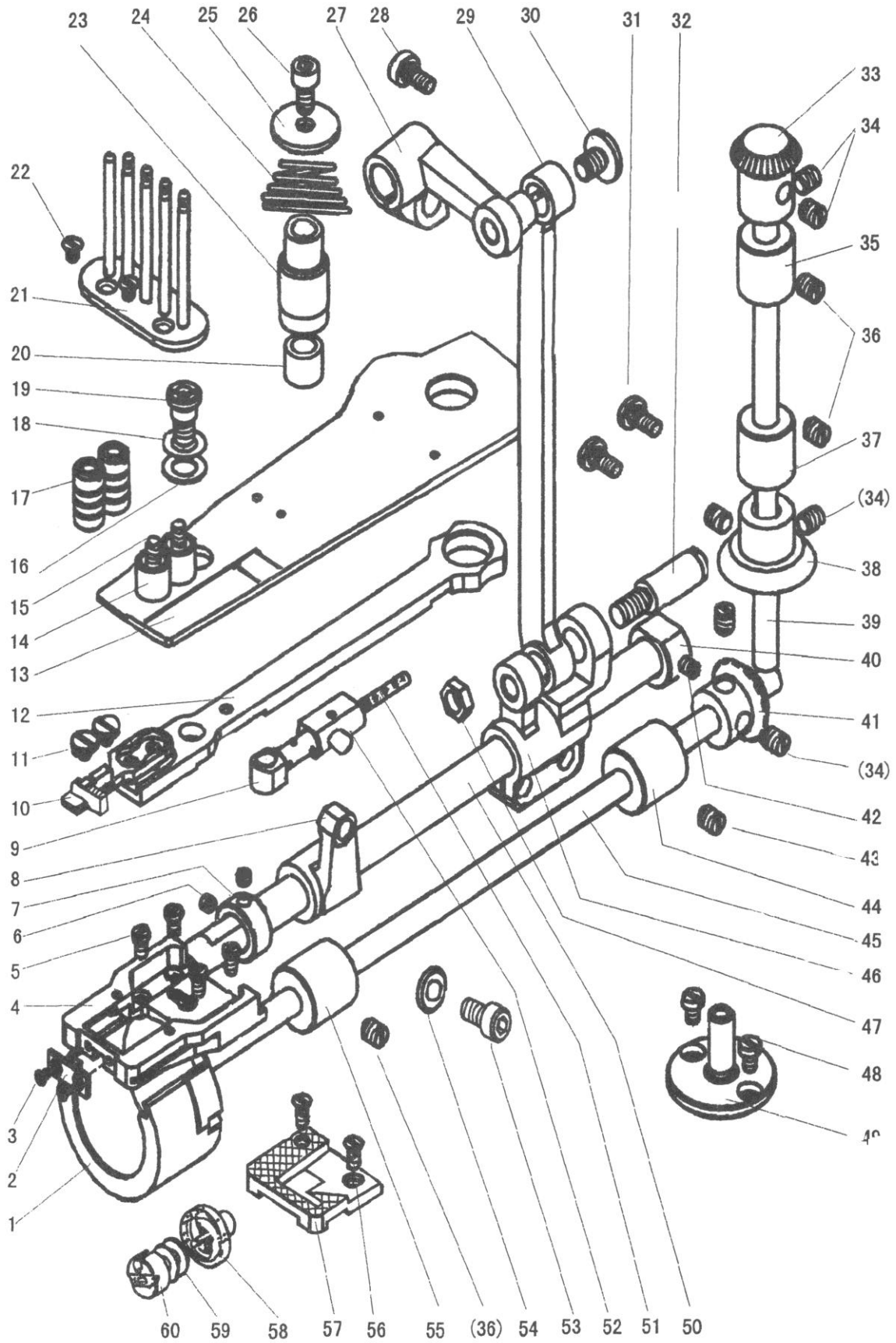
## A. ARM BED AND ITS ACCESSORIES

Fig. No.	Part No.	Description	Pcs.	Remarks
A01	H7307B8001	Arm	1	
A02	H7331B8001	Oil wick	2	
A03	H7330B8001	Oil pipe	2	
A04	H7326B8001	Felt	1	
A05	H7327B8001	Holder	1	
A06	H401040160	Screw	1	GB/T65 M4×16
A07	H7334B8001	Oil pipe	2	
A08	H4100B2060	Link plate	1	
A09	H4100B2070	Screw	1	SM1/4 (24) × 5.7
A10	H4100B2090	Washer	1	
A11	H4100B2080	Screw	1	SM1/4 (24) × 20
A12	HA700B2060	Screw	1	SM11/64 (40) × 8
A13	H7335B8001	Thread guide	1	
A14	H7322B8001	Screw	2	M4×6
A15	H7321B8001	Thread guide	1	
A16	H7328B8001	Oil pipe	2	
A17	HA300C2030	Screw	1	SM11/64 (40) × 8
A18	H3200B2050	Thread take-up cover	1	
A19	H7319B8001	Face plate	1	
A20	H7329B8001	Oil wick	2	
A21	H401050160	Screw	2	GB/T65 M5×16
A22	HA106B0673	Oil cup	2	φ 19
A23	H7309B8001	Arm bed	1	
A24	H7312B8001	Arm side cover (1)	1	
A25	H7314B8001	Screw	8	M5×8
A26	H7316B8001	Screw	1	M4×6
A27	H7315B8001	Cover	1	
A28	H7318B8001	Washer	1	
A29	H7317B8001	Screw	1	M4×4.5
A30	H7311B8001	Supporter	1	
A31	H5350B7101	Hinge	1	
A32	H415080160	Screw	8	GB/T70.1 M8×16
A33	H415060080	Screw	1	GB/T70.1 M6×8
A34	H7338B8001	Holder	1	
A35	H7313B8001	Arm side cover (2)	1	
A36	H3200B2100	Screw	1	SM9/64 (40) × 6.5
A37	H3221B6819	Spring stop	1	
A38	H3221B6817	Pin	1	
A39	H3221B0686	Screw	1	SM1/4 (40) × 14.5
A40	H4805C8001	Thread tension stud	1	SM1/4 (40) × 8.5
A41	H2004J0067	Screw	1	SM9/64 (40) × 7
A42	HA300C2030	Screw	1	SM11/64 (40) × 8
A43	H3221B6810	Nut	1	SM11/64 (40) × 3

## A. ARM BED AND ITS ACCESSORIES

Fig. No.	Part No.	Description	Pcs.	Remarks
A44	H3221B6818	Thread releasing pin	1	
A45	H2504C6510	Screw	2	SM9/64 (40) × 3
A46	H3221B3142	Tension releasing plate	1	
A47	H2504C6511	Tension releasing spring	1	
A48	H3221B0681	Porcelain cluct	2	
A49	H3221B6820	Mounting plate	1	
A50	H3221B0682	Pin	2	
A51	H3221B0683	Thread tension stud	1	SM11/64 (40) × 10
A52	HA112B0693	Thread tension disc	2	
A53	H3221B0684	Spring	1	
A54	HA710B0671	Thumb nut	1	SM11/64 (40) × 6
A55	HA310B0705	Thread tension disc	2	
A56	HA310B0702	Thread tension releasing disc	1	
A57	HA310B0701	Thumb nut revolution stopper	1	
A58	HA115B7010	Thumb nut complete	1	
A59	HA115B0703	Spring	1	
A60	H4804C8001	Screw	1	SM9/64 (40) × 2. 9
A61	H32481B721	Thumb nut	1	SM1/4 (40) × 4. 5
A62	H32481BD21	Plate complete	1	
A63	H4713C8001	Thread take-up spring	1	

## B. FEEDING AND FEED LIFTING & ROTATING HOOK SHAFT MECHANISM



## B. FEEDING AND FEED LIFTING & ROTATING HOOK SHAFT MECHANISM

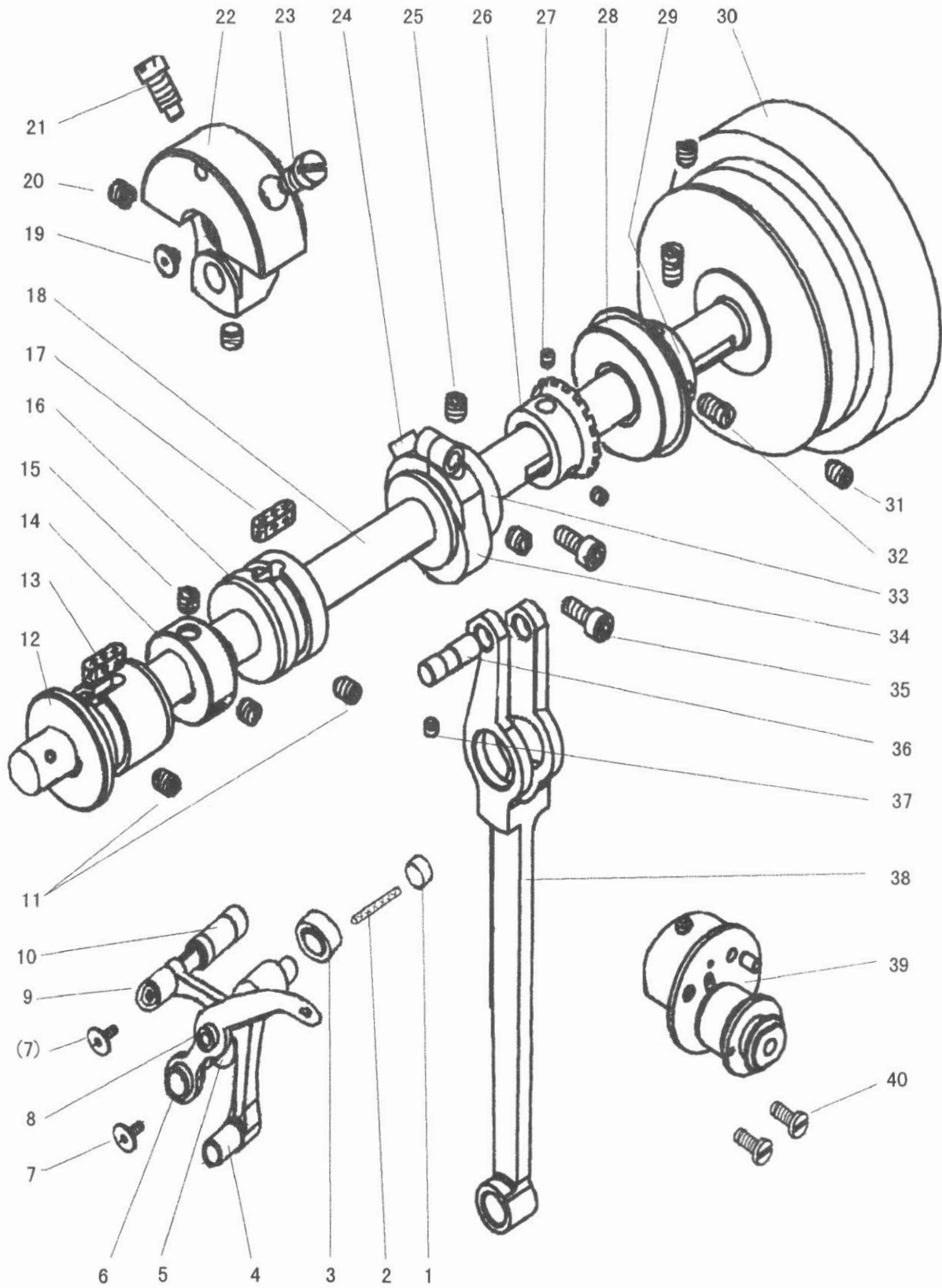
Fig. No.	Part No.	Description	Pcs.	Remarks
B01	H7310C8001	Stop plate	1	
B02	H7308C8001	Hook positioner	1	
B03	H7309C8001	Screw	2	SM3/32(56)×2.1
B04	H7305C8001	Fixing plate bracket for the needle plate	1	
B05	H4913J8001	Screw	4	SM9/64(40)×4.5
B06	H6039G8001	Set screw	2	SM11/64(40)×3.8
B07	H7345C8001	Feed rock shaft collar (left)	1	
B08	H7347C8001	Feed rock shaft crank (left)	1	
B09	H7349C8001	Feed rock shaft crank (left) joint	1	
B10	H7321C8001	Feed dog	1	
B11	H7322C8001	Screw	2	SM9/64(40)×4
B12	H7324C8001	Feed bar	1	
B13	H7332C8001	Wiggle plate	1	
B14	H7338C8001	Bushing	2	
B15	H7336C8001	Screw	2	SM11/64(40)×14
B16	H7334C8001	Wasner	1	
B17	H7337C8001	Nut	2	SM11/64(40)×19
B18	H7335C8001	Washer	1	
B19	H7333C8001	Pin	1	
B20	H7328C8001	Bearing for feed bar holder	2	HK0810
B21	H7339C7101	Mounting plate complete	1	
B22	H7342C8001	Screw	2	SM9/64(40)×3
B23	H7325C8001	Bushing for feed bar holder	1	
B24	H7327C8001	Spring for feed bar holder	1	
B25	H7329C8001	Washer	1	
B26	H415050100	Screw	1	GB/T70.1 M5×10
B27	H7355C8001	Crank	1	
B28	H415080160	Screw	1	GB/T70.1 M8×16
B29	H7354C8001	Connecting rod for feed lifting	1	
B30	H7356C8001	Screw	1	SM1/4(28)×9
B31	H7360C8001	Screw	2	M6×13
B32	H7361C8001	Pin	1	
B33	HA113D2122	Vertical shaft gear (upper)	1	
B34	HA108C0663	Set screw	6	SM1/4(40)×7
B35	H7312C8001	Vertical shaft bushing (upper)	1	
B36	H428060080	Set screw	3	GB/T77 M6×8
B37	H7314C8001	Vertical shaft bushing (lower)	1	
B38	HA113D2222	Vertical shaft gear (lower)	1	
B39	H7311C8001	Vertical shaft	1	
B40	H7344C8001	Feed rock shaft collar (right)	1	
B41	HA113D2212	Rotating hook shaft gear	1	
B42	HA100B2110	Set screw	1	SM11/64(40)×5.5
B43	H2404G0658	Screw	1	SM11/64(32)×7.7

## B. FEEDING AND FEED LIFTING & ROTATING HOOK SHAFT MECHANISM

Fig. No.	Part No.	Description	Pcs.	Remarks
B44	H7316C8001	Rotating hook shaft bushing (right)	1	
B45	H7315C8001	Rotating hook shaft	1	
B46	H7359C8001	Feed rock shaft crank (right)	1	
B47	H7362C8001	Nut	1	SM1/4(28)×3.7
B48	H7330C8001	Screw	2	M4×6
B49	H7326C8001	Feed bar holder	1	
B50	H7343C8001	Feed rock shaft	1	
B51	H7353C8001	Oil wick	1	
B52	H7352C8001	Bracket	1	
B53	H415040080	Screw	1	GB/T70.1 M4×8
B54	H7351C8001	Washer	1	
B55	H7317C8001	Rotating hook shaft bushing (left)	1	
B56	H7307C8001	Screw	2	SM9/64(40)×6
B57	H7306C8001	Needle plate	1	
B58	H3004E0065	Rotating hook	1	GC2698-1
B58	H7365C8001	Rotating hook	1	GC2698-1B
B59	HA100E2170	Bobbin	1	GC2698-1
B59	H7363C8001	Bobbin	1	GC2698-1B
B60	H3005E0066	Bobbin sheath	1	GC2698-1
B60	H7364C8001	Bobbin sheath	1	GC2698-1B



### C. ARM SHAFT MECHANISM

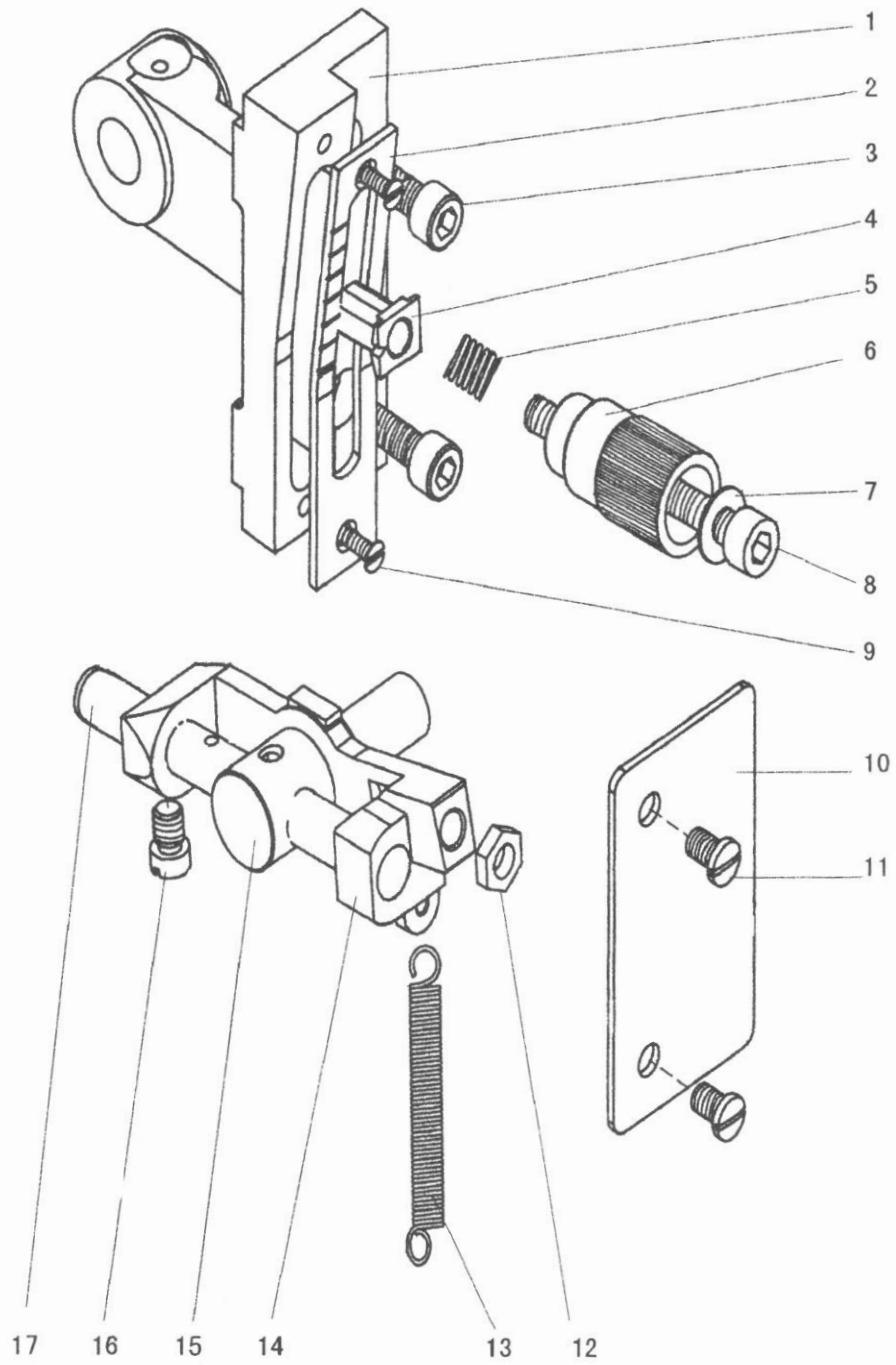


### C. ARM SHAFT MECHANISM

Fig. No.	Part No.	Description	Pcs.	Remarks
C01	H7354D8001	Rubber plug	1	
C02	H7355D8001	Oil wick	1	
C03	H7358D8001	Bearing	1	K9×12×13T2
C04	H7352D8001	Link	1	
C05	H7353D8001	Crank	1	
C06	H7348D8001	Thread take-up lever	1	
C07	H7351D8001	Screw	2	SM9/64 (40) × 7
C08	H7359D8001	Bearing	1	K7×10×8T2
C09	H7349D8001	Link for thread take-up	1	
C10	H7350D8001	Pin	1	
C11	H428060080	Screw	2	GB/T77 M6×8
C12	H7320D8001	Arm shaft bushing (left)	1	
C13	H7321D8001	Felt	1	
C14	H7324D8001	Wheel for bobbin winder	1	
C15	HA108C0662	Screw	2	SM1/4 (40) × 6
C16	H7322D8001	Arm shaft bushing (middle)	1	
C17	H7323D8001	Felt	1	
C18	H7318D8001	Arm shaft	1	
C19	H7319D8001	Arm shaft Plug	1	
C20	HA307C0662	Screw	2	SM1/4 (40) × 6
C21	HA100C2070	Screw	1	SM9/32 (28) × 10
C22	H7357D8001	Needle bar crank	1	
C23	HA100C2060	Screw	1	SM9/32 (28) × 13
C24	H7309D8001	Bracket for feed cam crank	1	
C25	HA108C0663	Screw	2	SM1/4 (40) × 7
C26	HA113D2112	Bevel gear for arm shaft	1	
C27	HA108C0663	Screw	2	SM1/4 (40) × 7
C28	H3208H0661	Bearing	1	6004ZZNR
C29	H5336C8001	Arm shaft bushing (right)	1	
C30	H2000C2040	Balance wheel	1	
C31	HA110D0672	Screw	2	SM15/64 (28) × 12
C32	HA113F0684	Screw	2	SM15/64 (28) × 8.5
C33	H7305D8001	Feed cam	1	
C34	H7308D8001	Cover for feed cam crank	1	
C35	H415050120	Screw	2	GB/T70.1 M5×12
C36	H7311D8001	Pin	1	
C37	H428040040	Screw	1	GB/T77 M4×4
C38	H7313D8001	Connecting rod for feed cam crank	1	
C39	H7325D7101	Bobbin winder assay	1	
C40	H401040060	Screw	2	GB/T65 M4×6

## D. STITCH REGULATOR MECHANISM

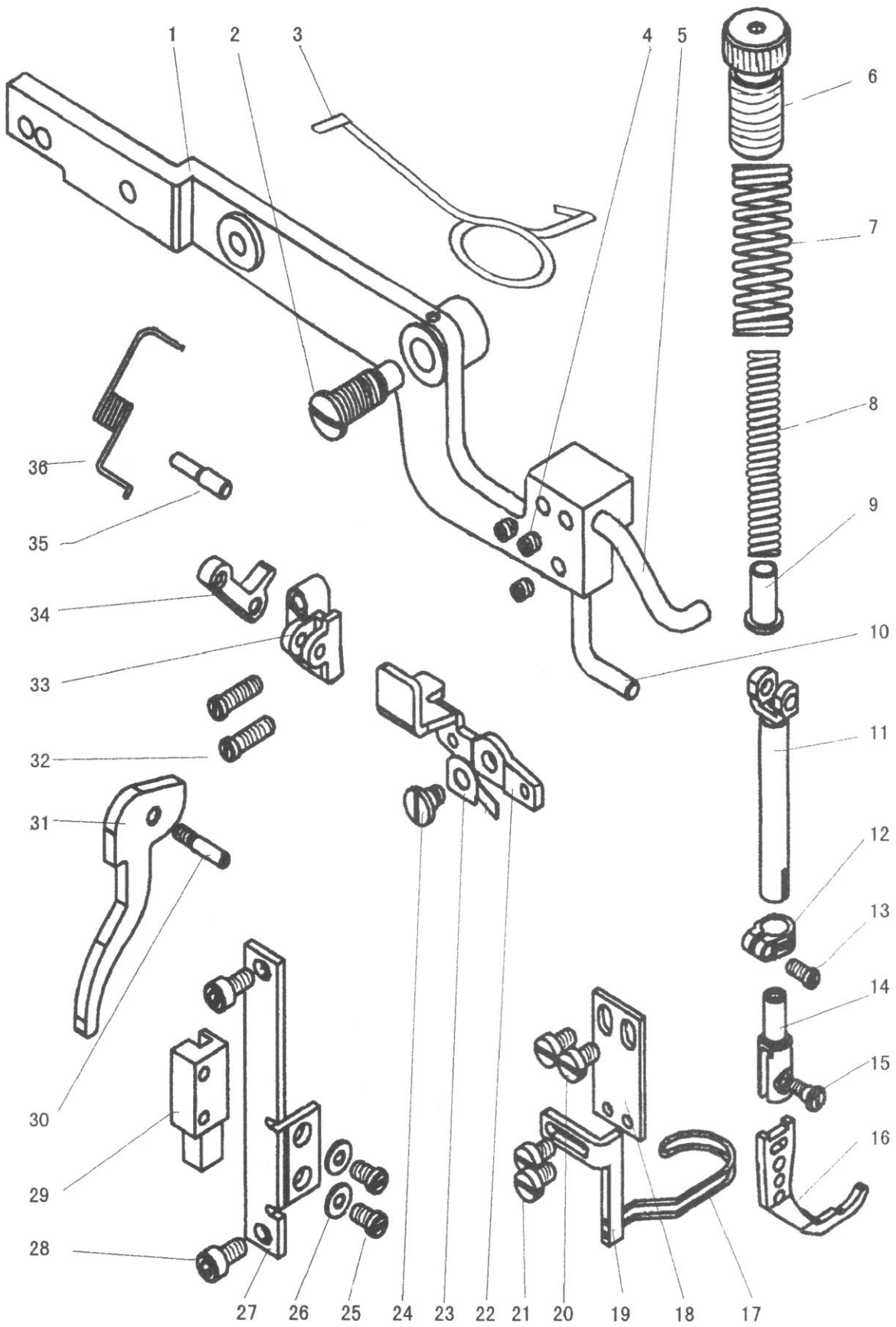
---



## D. STITCH REGULATOR MECHANISM

Fig. No.	Part No.	Description	Pcs.	Remarks
D01	H7305E8001	Bracket for stitch length plate	1	
D02	H7307E8001	Stitch length plate	1	
D03	H415060160	Screw	2	GB/T70.1 M6×16
D04	H7315E8001	Guide bushing	1	
D05	H7313E8001	Spring	1	
D06	H7310E7101	Stitch length regulating nut assy	1	
D07	H7314E8001	Washer	1	
D08	H7312E8001	Stud	1	M6×60
D09	H4100F2070	Screw	2	SM9/64(40)×7
D10	H7325E8001	Cover	1	
D11	H7326E8001	Screw	2	M5×7.5
D12	H7316E8001	Feed regulator screw bar	1	
D13	H7323E8001	Spring	1	
D14	H7318E8001	Setting frame	1	
D15	H7324E8001	Guide bushing	1	
D16	H7322E8001	Screw	1	SM15/64(40)×7.5
D17	H7319E7101	Pin	1	

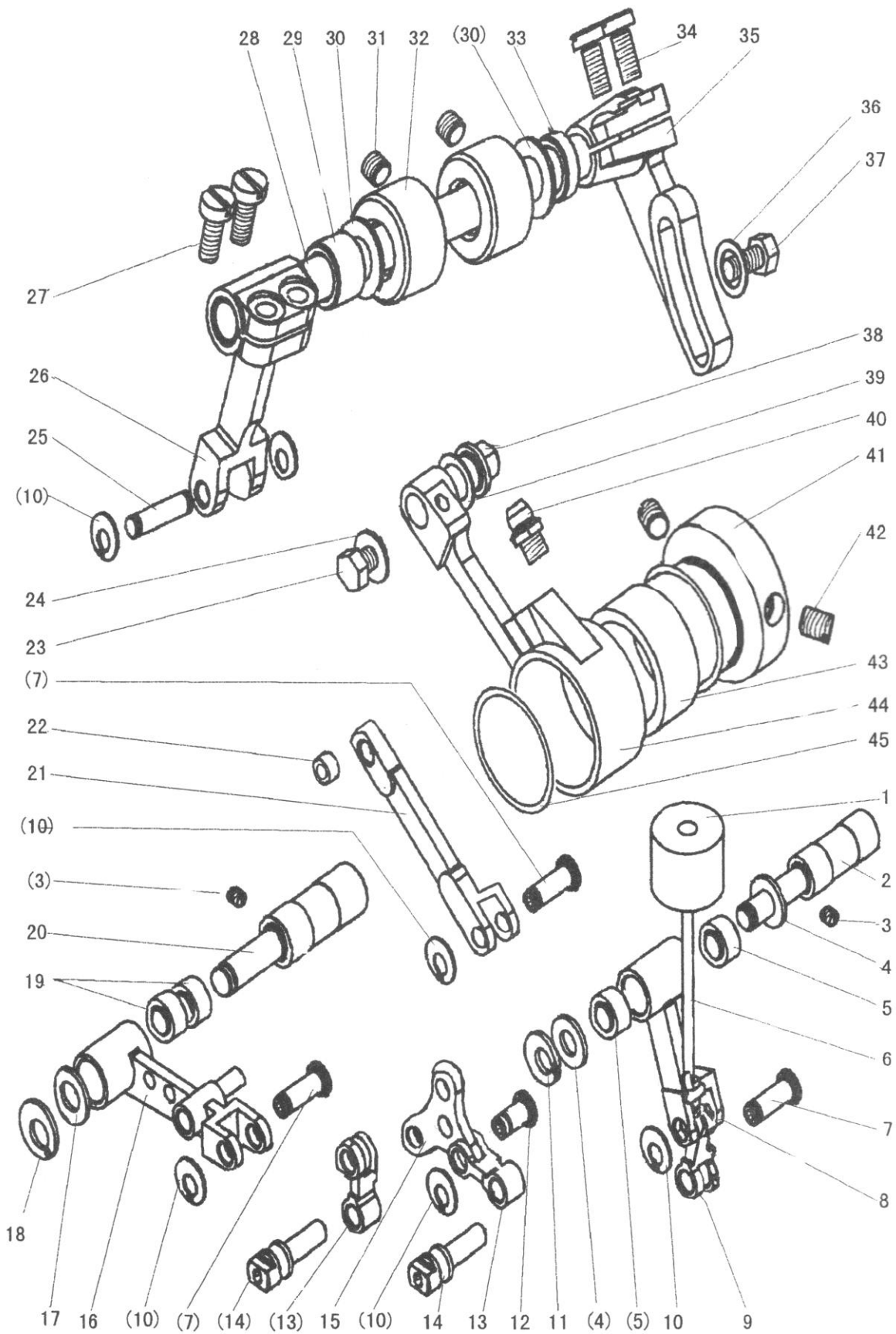
# E. PRESSER FOOT MECHANISM



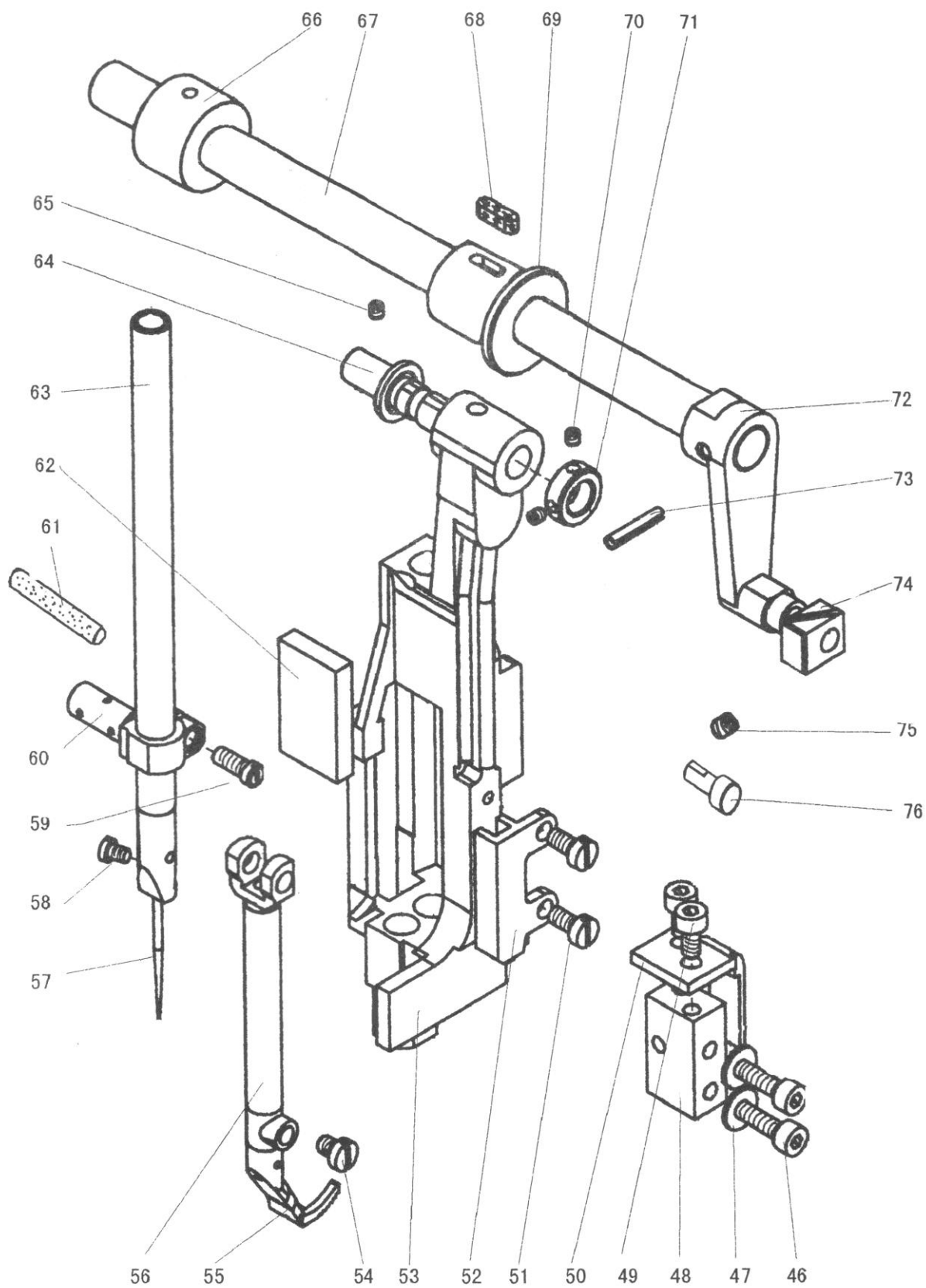
## E. PRESSER FOOT MECHANISM

Fig. No.	Part No.	Description	Pcs.	Remarks
E01	H7307F8001	Knee lifter lever	1	
E02	H7311F8001	Screw	1	M8×10
E03	H7312F8001	Spring	1	
E04	H7310F8001	Screw	3	M5×5
E05	H7308F8001	Stop bar for knee lifter lever	1	
E06	H7330F8001	Thumb screw	1	SM5/8" (28) × 39
E07	H7331F8001	Spring	1	
E08	H7332F8001	Spring	1	
E09	H7333F8001	Pipe	1	
E10	H7309F8001	Stop bar for knee lifter lever	1	
E11	H7324F8001	Vibrating presser bar	1	
E12	H7326F8001	Connecting stud for vibrating presser bar	1	
E13	H7327F8001	Screw	1	M4×8
E14	H7325F8001	Connecting stud for walking foot	1	
E15	H7329F8001	Screw	1	SM9/64 (40) × 5.8
E16	H7328F8001	Walking foot	1	
E17	H7335F8001	Walking foot guard cover	1	
E18	H7336F8001	Walking foot guard cover plate	1	
E19	H7337F8001	Walking foot guard cover bracket	1	
E20	H7342F8001	Screw	2	M5×8
E21	H7343F8001	Screw	2	M4×6
E22	H7320F8001	Thread releasing disc	1	
E23	H7321F8001	Spring	1	
E24	H7322F8001	Screw	1	M5×4
E25	H454040100	Screw	2	GB66016 M4×10
E26	H005001040	Washer	2	GB/T97.1 4
E27	H7341F8001	Mounting frame	1	
E28	H415050100	Screw	2	GB/T70.1 M5×10
E29	H7339F8001	Walking foot guide plate	1	
E30	H7305F8001	Presser bar lifter	1	M4×8
E31	H7304F8001	Presser bar lifter	1	
E32	H7315F8001	Screw	2	M5×16
E33	H7314F8001	Bracket for knee lifter lever	1	
E34	H7316F8001	Knee lifter lever crank	1	
E35	H7317F8001	Pin	1	
E36	H7318F8001	Spring	1	

# F. NEEDLE BAR FEEDING MECHANISM (1)



## F. NEEDLE BAR FEEDING MECHANISM (2)





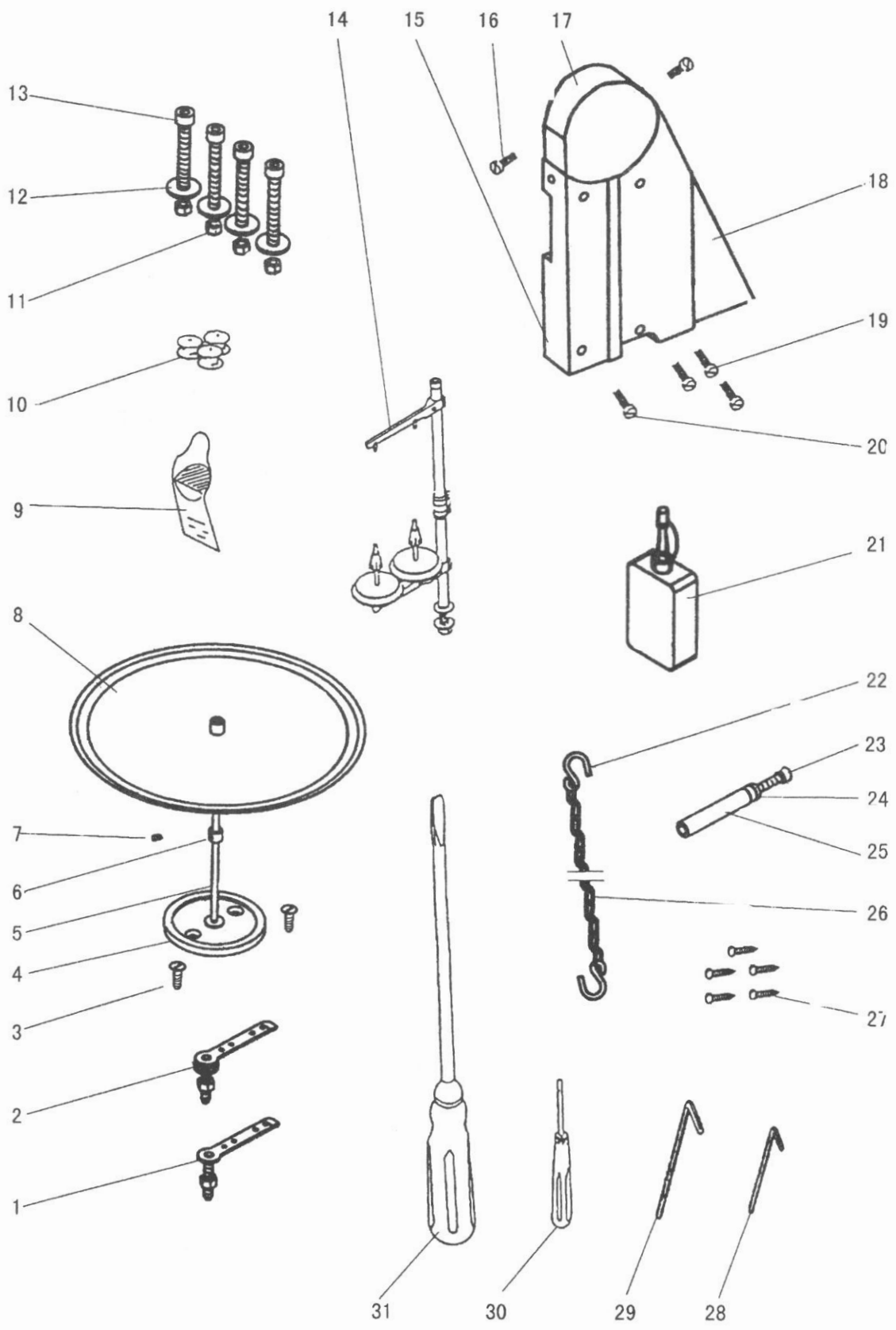
## F. NEEDLE BAR FEEDING MECHANISM

Fig. No.	Part No.	Description	Pcs.	Remarks
F01	H7359G8001	Felt	1	
F02	H7361G8001	Pin	1	
F03	H428060080	Screw	2	GB/T77 M6×8
F04	H7362G8001	Washer	2	
F05	H7365G8001	Bearing	2	K6×9×8T2
F06	H7356G7101	Spring guide bar	1	
F07	H7337G8001	Pin	3	
F08	H7360G8001	Connecting rod	1	
F09	H7355G8001	Connecting rod	1	
F10	H007009050	Stop ring	6	GB/T894.1 5
F11	H007009060	Stop ring	1	GB/T894.1 6
F12	H7335G8001	Pin	1	
F13	H7333G8001	Connecting rod	2	
F14	H7334G8001	Slide block	2	
F15	H7336G8001	Crank	1	
F16	H7338G7101	Connecting rod complete	1	
F17	H7342G8001	Washer	1	
F18	H007009070	Stop ring	1	GB/T894.1 7
F19	H7359D8001	Bearing	2	K7×10×8T2
F20	H7341G8001	Pin	1	
F21	H7343G8001	Connecting rod	1	
F22	H7376G8001	Bearing	1	K5×8×8T2
F23	H453050080	Screw	1	GB30004 M5×8
F24	H7314G8001	Washer	1	
F25	H7344G8001	Pin	1	
F26	H7346G8001	Connecting rod	1	
F27	H7377G8001	Screw	2	M5×12
F28	H7347G8001	Upper feed lifting rock shaft	1	
F29	H7352G8001	Bushing (left)	1	
F30	H7353G8001	Washer (left)	2	
F31	H428060050	Screw	2	GB/T77 M6×5
F32	H7348G7101	Bushing for upper feed lifting rock shaft	2	
F33	H7354G8001	Bushing (right)	1	
F34	H7312G8001	Screw	2	M5×11.7
F35	H7311G8001	Regulating crank	1	
F36	H005001050	Washer	1	GB/T97.1 5
F37	H102050100	Screw	1	GB/T5781 M5×10
F38	H7313G8001	Pin	1	
F39	H7315G8001	Washer	1	
F40	HD00001060	Oil cup	1	JB/T7940.1 M6
F41	H7305G8001	Cam for presser foot lifting	1	
F42	H455060080	Screw	2	GB74031 M6×8
F43	H7316G8001	Bearing	1	K24×29×13

## F. NEEDLE BAR FEEDING MECHANISM

Fig. No.	Part No.	Description	Pcs.	Remarks
F44	H7309G8001	Connecting rod	1	
F45	H7308G8001	Stop ring	2	
F46	H415040160	Screw	2	GB/T70.1 M4×16
F47	H005001040	Washer	2	GB/T97.1 4
F48	H7364G8001	Guide plate for needle bar rock frame	1	
F49	H415040080	Screw	2	GB/T70.1 M4×8
F50	H7366G8001	Fixing plate	1	
F51	H7378G8001	Screw	2	M4×8
F52	H7368G8001	Guide plate for slide block	1	
F53	H7320G8001	Needle bar rock frame	1	
F54	H7331G8001	Screw	1	M4×5.5
F55	H7330G8001	Presser foot	1	
F56	H7329G8001	Presser bar	1	
F57	H7317G8001	Needle	1	DP×35LR 14#-16#
F58	H3204D6510	Screw	1	SM1/8(44)×4
F59	H7327G8001	Screw	1	M4×10
F60	H7326G8001	Needle bar connecting stud	1	
F61	H7328G8001	Oil wick	1	
F62	H7321G8001	Felt	1	
F63	H7324G8001	Needle bar	1	
F64	H7322G8001	Pin for rock frame	1	
F65	H428050080	Screw	1	GB/T77 M5×8
F66	H7373G8001	Bushing	1	
F67	H7370G8001	Needle bar rock shaft	1	
F68	H7367G8001	Felt	1	
F69	H7371G8001	Bushing	1	
F70	H456030030	Screw	2	GB74001 M3×3
F71	H7323G8001	Collar	1	
F72	H7372G8001	Needle bar rock shaft crank	1	
F73	H602030160	Pin	1	GB/T117 3×16 (A型)
F74	H7374G8001	Square block	1	
F75	H7310F8001	Screw	1	M5×5
F76	H7375G8001	Spring stop	1	

G. ACCESSORIES



## G. ACCESSORIES

Fig. No.	Part No.	Description	Pcs.	Remarks
G01	H7308H7101	Thread stand assay	1	
G02	H7311H7101	Bobbin winder assay	1	
G03	H801055250	Wood screw	2	GB/T99 5.5×25
G04	H7326H8001	Seat	1	
G05	H7323H8001	Shelf	1	
G06	H7324H8001	Collar	1	
G07	H7325H8001	Screw	1	SM9/64(40)×3
G08	H7320H7101	Plate complete	1	
G09	H7317G8001	Needle	4	DP×35LR 14#-16#
G10	HA100E2170	Bobbin	3	
G11	H003002080	Nut	4	GB/T6170 M8
G12	H005006080	Washer	4	GB/T96 8
G13	H415080600	Screw	4	GB/T70.1 M8×60
G14	HA200J2030	Thread guide	1	GXJ-2
G15	H7328H8001	Belt cover (left)	1	
G16	H2000O0360	Screw	2	SM11/64(40)×6
G17	H6307L8001	Belt cover (upper)	1	
G18	H7327H8001	Belt cover (right)	1	
G19	HA300J2280	Screw	3	SM15/64(28)×8
G20	H2400K0160	Screw	1	SM15/64(28)×8
G21	H2004O0069	Oil tank	1	
G22	HPG100E202	Pothook	2	
G23	H415060800	Screw	1	GB/T70.1 M6×80
G24	H007013090	Stop ring	2	GB/T896 9
G25	H7315H8001	Bushing	1	
G26	HPG100E203	Chain	1	L=950
G27	H801045200	Wood screw	5	GB/T99 4.5×20
G28	HS68990206	Socket wrench	1	5mm
G29	HS68990207	Socket wrench	1	6mm
G30	HA300J2210	Screw driver (small)	1	
G31	HA300J2070	Screw driver (larger)	1	