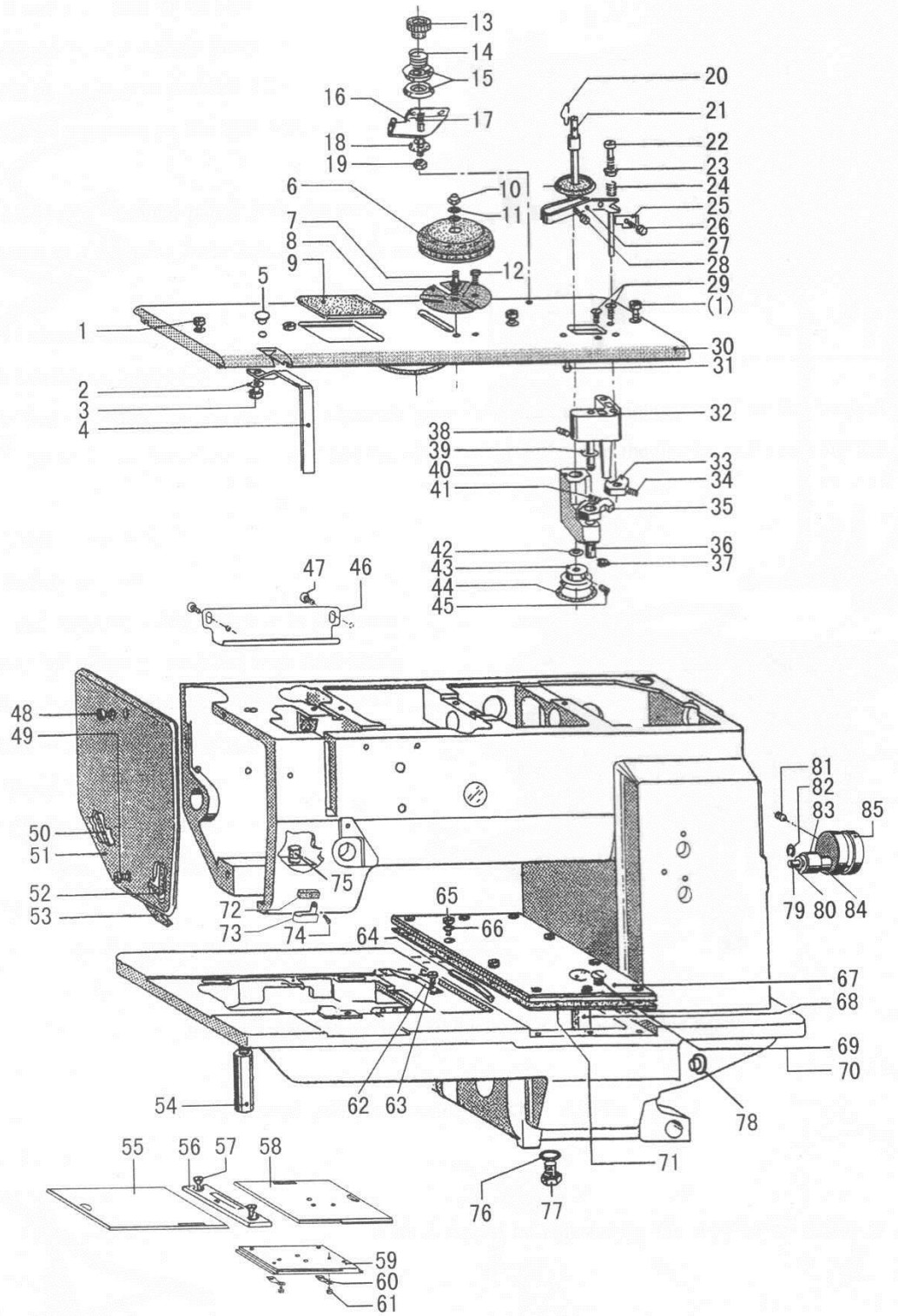


A.ARM BED AND ITS ACCESSORIES



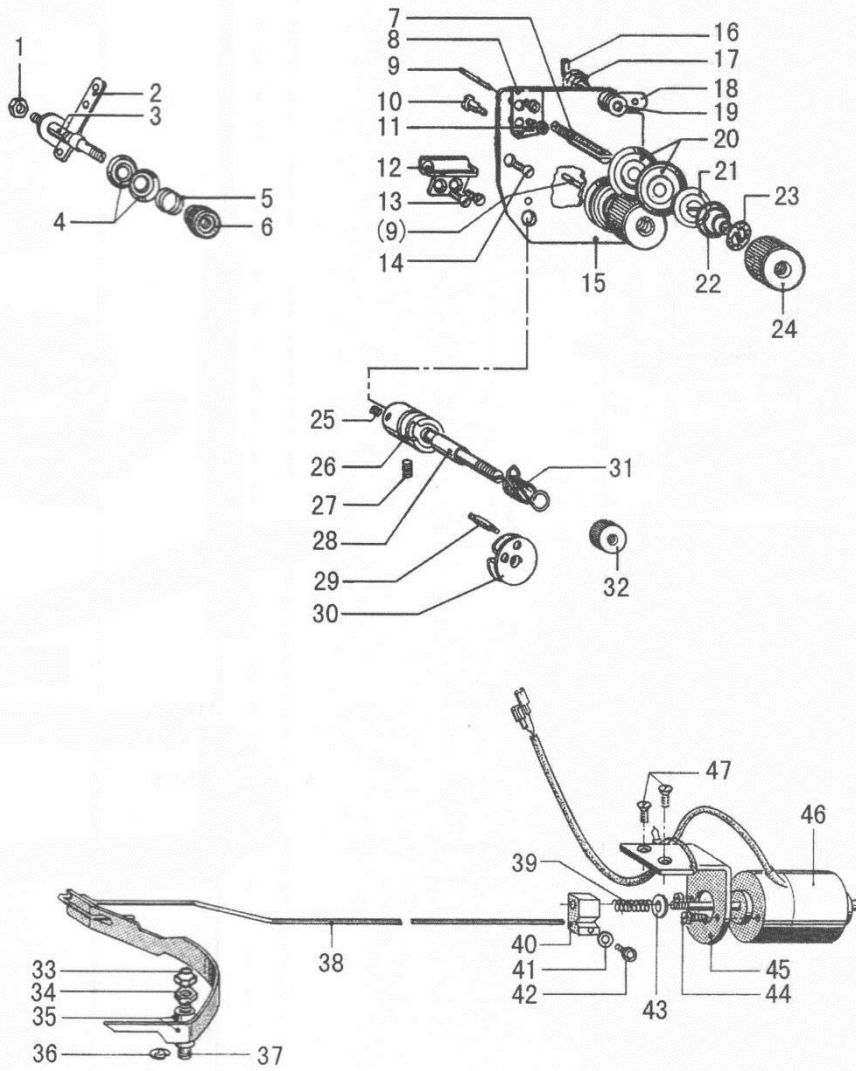
A.ARM BED AND ITS ACCESSORIES

Fig. No.	Part No.	Description	Pcs.	Remarks
A01	HF914B8001	Screw M5×12	4	
A02	H005001040	Washer	1	
A03	H415040080	Screw	1	M4×8
A04	HF927B8001	Thread take-up cover	1	
A05	HF930B8001	Plug	1	
A06	HF933B8001	Dial	1	
A07	HF935B8001	Dial shaft	1	
A08	HF936B8001	Guard plate	1	
A09	HF931B8001	Cover	1	
A10	H003045040	Hexagonal nut	1	M4
A11	H005001040	Washer	1	
A12	H401040060	Screw	1	M4×6
A13	HA710B0671	Pre-tension adjusting nut	1	
A14	H6739B8001	Thread tension spring	1	
A15	HA310B0705	Thread tension discs	2	
A16	H6736B8001	Thread guide	1	
A17	HF974B8001	Thread tension stud	1	
A18	H4728H8001	Washer	1	
A19	H5344B8001	Nut	1	
A20	HF965B8001	Fixing clamp	1	
A21	HF964B8001	Winder shaft	1	
A22	H401030120	Screw	1	M3×12
A23	HF952B8001	Disc	1	
A24	H5731F8001	Presser spring	1	
A25	HF954B8001	Knife	1	
A26	H401030040	Screw	1	M3×4
A27	HF947B7101	Release lever	1	
A28	H401030120	Screw	1	M3×12
A29	H403040080	Screw	2	M4×8
A30	HF921B7101	Arm cover	1	
A31	H901030080	Pin	1	
A32	HF942B7101	Winder block	1	
A33	HF944B8001	Release cam	1	
A34	H431050060	Screw	1	M5×6
A35	HF958B8001	Block	1	
A36	HF955B8001	Bushing	1	
A37	H007013035	E-type stop ring 3.5	1	
A38	HA300E2110	Presser spring	1	
A39	HF957B8001	Washer	1	
A40	HF960B8001	Arm	1	
A41	HF959B8001	Presser spring	1	
A42	HF966B8001	Washer	2	
A43	HF967B8001	Winder wheel	1	

A.ARM BED AND ITS ACCESSORIES

Fig. No.	Part No.	Description	Pcs.	Remarks
A44	HF969B8001	Rubber ring	1	
A45	H431050050	Screw	1	M5×5
A46	HF999B8001	Cord cover	1	
A47	H7331G8001	Screw	1	
A48	HF914B8001	Screw M5×12	1	
A49	HF915B8001	Screw M5×12	1	
A50	HF918B8001	Bar	1	
A51	HF913B8001	Face plate	1	
A52	HF919B8001	Bar	1	
A53	HF920B8001	Oil pillow	1	
A54	HF998B8001	Leg	1	
A55	HF980B8001	Slide Plate	1	
A56	HF988B8001	Needle plate	1	
A57	HF989B8001	Screw	2	
A58	HF981B8001	Slide Plate	1	
A59	HF985B8001	Slide Plate	1	
A60	HF986B8001	Spring for slide plate	2	
A61	H401020025	Screw	2	M2×2.5
A62	HF982B8001	Stopper	1	
A63	H7331G8001	Screw	2	
A64	HF938K8001	Pipe	1	
A65	HF914B8001	Screw M5×12	10	
A66	HF997B8001	Gasket	10	
A67	HF991B8001	Cover	1	
A68	HF992B8001	Oil indicator	1	
A69	HF993B8001	Screw	1	
A70	HF994B8001	Gasket	1	
A71	HF995B8001	Gasket	1	
A72	H3108B0692	Felt	1	
A73	H3108B0691	Thread guide	1	
A74	HF938C8001	Screw	1	
A75	HA307B0674	Rubber plug	1	
A76	HF90AB8001	Gasket	2	
A77	JB1000 M10×1	Screw	1	M10×1
A78	HG605H8001	Rubber plug	1	
A79	HF981I8001	Pin	1	
A80	H7335C8001	Washer	2	
A81	H428080120	Screw	1	M8×12
A82	H007013060	E-type stop ring 6	1	
A83	GB/T276 28	Bearing	2	
A84	HF980I8001	Spacer	1	
A85	HF979I8001	Belt tensioner	1	

B.THREAD TENSION REGULATOR MECHANISM



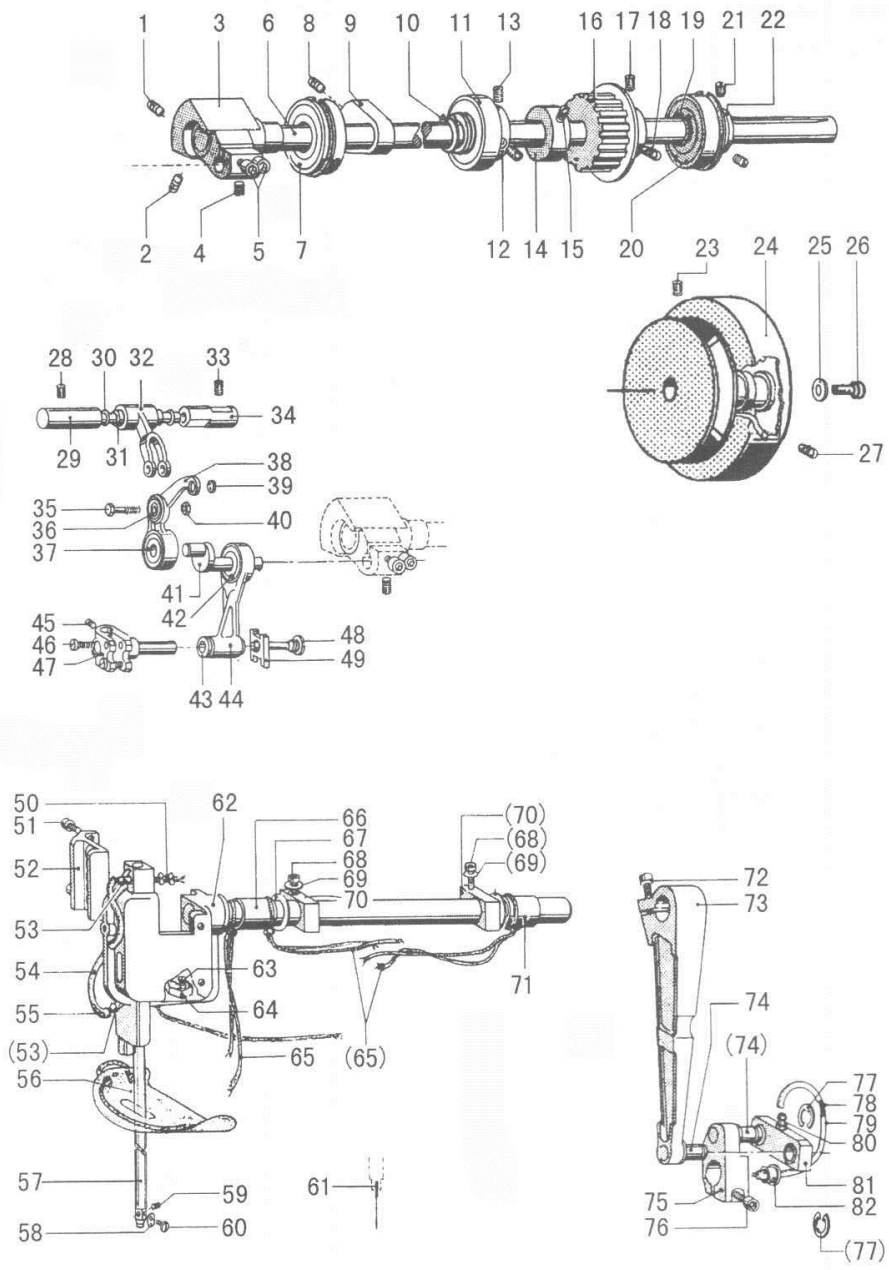
B.THREAD TENSION REGULATOR MECHANISM

Fig. No.	Part No.	Description	Pcs.	Remarks
B01	H003002050	Nut	1	M5
B02	HF930C8001	Thread hook	1	
B03	HF929C8001	Thread tension stud	1	
B04	HA112B0693	Thread tension discs	1	
B05	HA710B0672	Tension spring	1	
B06	HA710B0671	Tension adjusting nut	1	
B07	HF907C8001	Thread tension stud	2	
B08	HF917C8001	Thread guide	1	
B09	H3221B6817	Thread tension releasing pin	2	
B10	H3221B6811	Shoulder screw	2	
B11	H7316B8001	Screw	2	
B12	HF925C8001	Thread guide	1	
B13	H7322B8001	Screw	2	
B14	H7316B8001	Screw	2	
B15	HF905C8001	Tension plate	1	
B16	HF923C8001	Rod	1	
B17	HF924C8001	Sping	1	
B18	HF915C8001	Tension release plate	1	
B19	HF916C8001	Thread guide	1	
B20	HA310B0705	Tension discs	4	
B21	HA310B0702	Tension release discs	2	
B22	H4710C8001	Tension spring	2	
B23	HA115B7010	Stopper	2	
B24	HA310B0701	Tension nut	2	
B25	H431040040	Screw	1	M4×4
B26	HF936C8001	Thread tension post	1	
B27	H431050050	Screw	1	M5×5
B28	H4805C8001	Thread tension stud	1	
B29	H4804C8001	Screw	1	
B30	H32481BD21	Plate complete	1	
B31	H4713C8001	Thread take-up spring	1	
B32	H32481B721	Thumb nut	1	
B33	H003045050	Nut	1	M5
B34	H003002050	Nut	1	M5
B35	HF918C8001	Release lever	1	
B36	H007013050	E-type stop ring 5	1	
B37	HF919C8001	Bolt	1	
B38	HF921C8001	Hook	1	
B39	HF908C8001	Spring	1	
B40	HF909C8001	Block	1	
B41	H005001040	Washer	1	
B42	H415040080	Screw	1	M4×8
B43	HF927I8001	Washer	1	

B.THREAD TENSION REGULATOR MECHANISM

Fig. No.	Part No.	Description	Pcs.	Remarks
B44	H415040080	Screw	2	M4×8
B45	HF906C8001	Magnet support	1	
B46	HF922C8001	Solenoid	1	
B47	H403050120	Screw	2	M5×12

C.SEWING MECHANISM



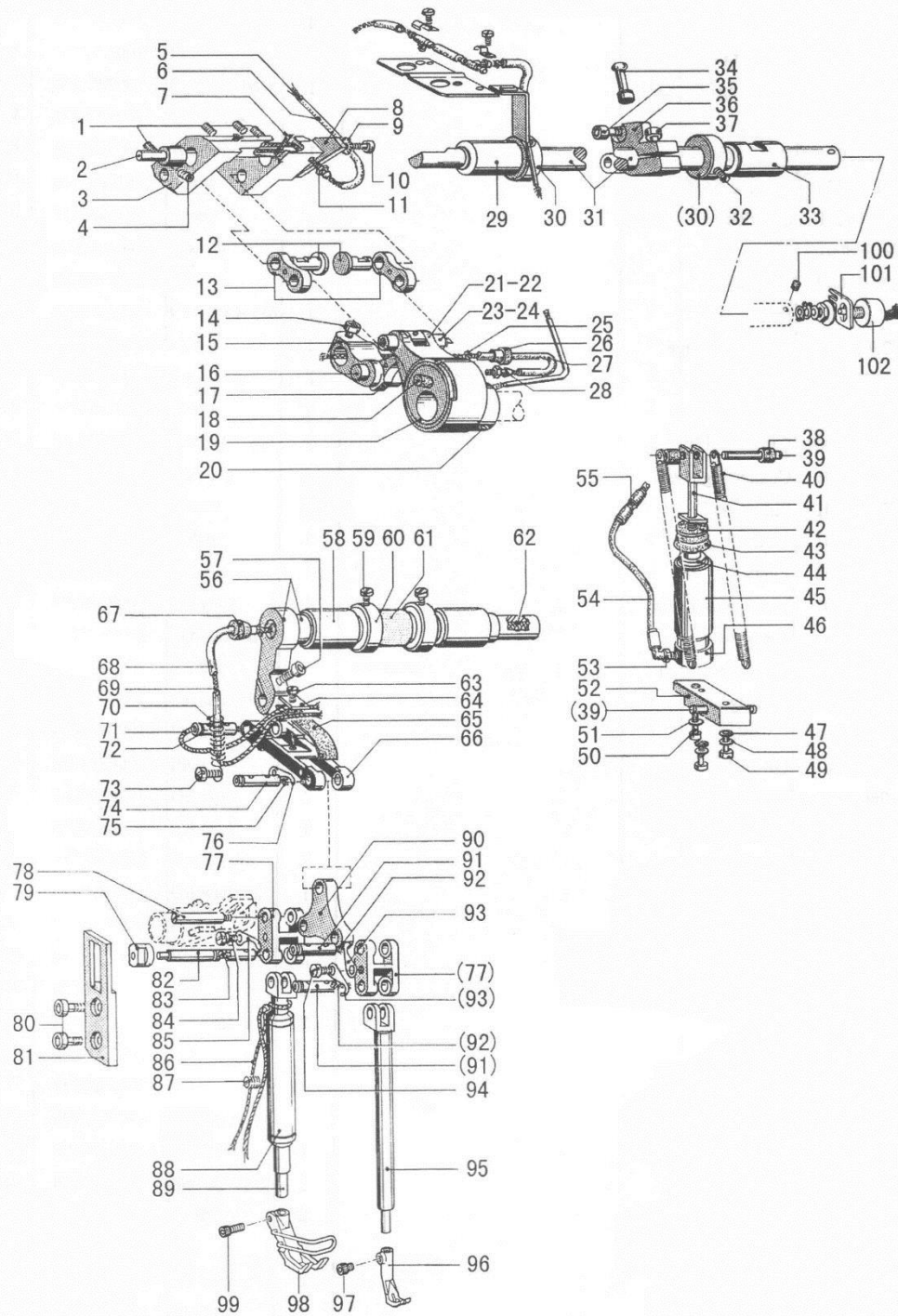
C.SEWING MECHANISM

Fig. No.	Part No.	Description	Pcs.	Remarks
C01	H6715C8001	Screw	1	
C02	H431060080	Screw	1	M6×8
C03	HF907D8001	Crank	1	
C04	H431060060	Screw	1	M6×6
C05	HF914B8001	Screw	2	
C06	HF905D8001	Upper shaft	1	
C07	H3205J0662	Ball bearing	1	
C08	H431080100	Screw	1	M8×10
C09	HF913D8001	Counterweight	1	
C10	H007009200	Retainer ring	1	
C11	HF921D8001	Ball bearing	1	
C12	HF918D8001	Bushing	1	
C13	H431060060	Screw	2	M6×6
C14	HF943D8001	Bobbin winder driving wheel	1	
C15	H431060100	Screw	2	M6×10
C16	HF923D8001	Belt pulley(upper)	1	
C17	H431060080	Screw	1	M6×8
C18	H429060100	Screw	1	M6×10
C19	H007009200	Retainer ring	1	
C20	HF932D8001	Ball bearing	1	
C21	H431060080	Screw	2	M6×8
C22	HF929D8001	Bushing	1	
C23	H431060100	Screw	1	M6×10
C24	HF934D8001	Pulley	1	
C25	H005008080	Washer	1	
C26	H415080250	Screw	1	M8×25
C27	H429060100	Screw	1	M6×10
C28	H428050060	Screw	1	M5×6
C29	HF913G8001	Thread take-up pin	1	
C30	HF918G8001	Gasket	2	
C31	H7221G8001	Needle bearing	2	
C32	HF916G8001	Thread take-up support	1	
C33	H428050060	Screw	1	M5×6
C34	HF911G8001	Thread take-up pin bushing	1	
C35	HF919G8001	Support screw	1	
C36	HF909G8001	Bearing	1	
C37	HF910G8001	Bearing	1	
C38	HF907G8001	Thread take-up lever	1	
C39	HF908G8001	Bushing	1	
C40	H003008040	Nut	1	M4
C41	HF920G8001	Thread take-up crank	1	
C42	HF923G8001	Bearing	2	
C43	HF926G8001	Bushing	1	

C.SEWING MECHANISM

Fig. No.	Part No.	Description	Pcs.	Remarks
C44	HF922G8001	Needle bar link	1	
C45	H431030050	Screw	1	M3×5
C46	H401040100	Screw	2	M4×10
C47	HF924G8001	Needle bar holder	1	
C48	HF928G8001	Threaded bolt	1	
C49	HF927G8001	Slide block	1	
C50	HF938G8001	Oil wick	1	
C51	H415040100	Screw	2	M4×10
C52	HF933G8001	Slide guide	1	
C53	HF939G8001	Oil feeding pipe	2	
C54	HF936G8001	Oil pipe	1	
C55	HF937G8001	Oil wick	1	
C56	HF940G7101	Rubber	1	
C57	HF970G8001	Needle bar	1	
C58	HF971G8001	Thread guide	1	
C59	H428030030	Screw	1	M3×3
C60	HF972G8001	Screw	1	
C61	HF974G8001	DP×35R #19	1	
C62	HF931G7101	Needle bar bracket	1	
C63	H403040100	Screw	1	M4×10
C64	HF943G8001	Oil satchel	1	
C65	HF947G8001	Oil wick	3	
C66	HF927E8001	Bushing	1	
C67	HF968G8001	Support disc	2	
C68	H415040120	Screw	2	M4×12
C69	H005001040	Washer	2	
C70	HF965G8001	Collar	2	
C71	HF924E8001	Bushing	1	
C72	H415060200	Screw	1	M6×20
C73	HF962G8001	Upper feed connecting rod	1	
C74	HF951G8001	Shoulder screw	1	
C75	HF949G8001	Connecting lever	1	
C76	H415060160	Screw	1	M6×16
C77	H007013080	E-type stop ring 8	2	
C78	HF958G8001	Oil wick	1	
C79	HF957G8001	Oil pipe	1	
C80	HF956G8001	Oil feeding pipe	1	
C81	HF952G7101	Pull rod	1	
C82	HF959G8001	Plug	1	

D.PRESSER FOOT MECHANISM



D.PRESSER FOOT MECHANISM

Fig. No.	Part No.	Description	Pcs.	Remarks
D01	H428050080	Screw	4	M5×8
D02	HF919E8001	Support pin	1	
D03	HF906E8001	Adjusting bracket	1	
D04	H428050080	Screw	1	M5×8
D05	HF912E8001	Oil wick	1	
D06	HF911E8001	Oil pipe	1	
D07	HF908E8001	Oil wick	2	
D08	HF913E8001	Plate	1	
D09	H005018050	Washer	1	
D10	H415050100	Screw	1	M5×10
D11	HF956G8001	Oil feeding pipe	1	
D12	HF917E8001	Link pin	2	
D13	HF916E8001	Link	2	
D14	H415060200	Screw	1	M6×20
D15	HF951E8001	Connecting lever	1	
D16	HF956E8001	Pin	1	
D17	HF953E7101	Link	1	
D18	HA104D0652	Plug	1	
D19	HF942E8001	Inner presser cam	1	
D20	H428060060	Screw	2	M6×6
D21	HF946E8001	Inner presser rod	1	
D22	HF947E8001	Bearing	1	
D23	HF948E8001	Rod pin	1	
D24	HF949E8001	Oil wick	1	
D25	HF960E8001	Oil wick	1	
D26	HF961E8001	Plug	1	
D27	HF959E8001	Oil pipe	1	
D28	HF956G8001	Oil feeding pipe	1	
D29	HF924E8001	Bushing	1	
D30	HF923E8001	Collar	2	
D31	HF921E8001	Adjusting shaft	1	
D32	H431050050	Screw	2	M5×5
D33	HF927E8001	Bushing	1	
D34	HF928E8001	Ball pin	1	
D35	H415050120	Screw	1	M5×12
D36	HF926E8001	Lever	1	
D37	H415060200	Screw	1	M6×20
D38	HF940E8001	Pipe	2	
D39	HF914E8001	Pin	2	
D40	HF918E8001	Spring	2	
D41	HF933E8001	Draught rod	1	
D42	HF936E8001	Disc	1	
D43	HF935E8001	Gasket	1	

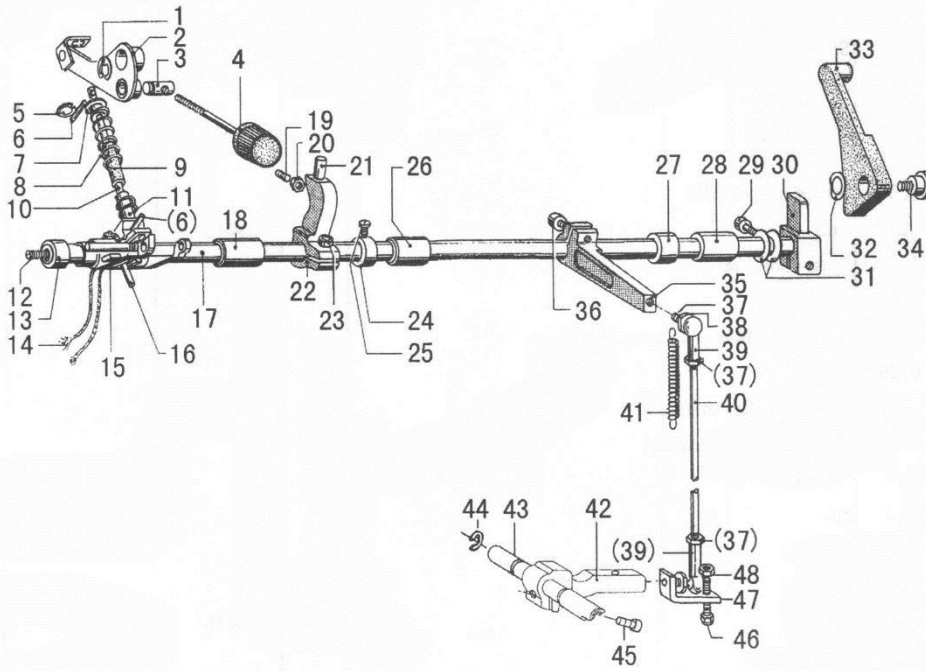
D.PRESSER FOOT MECHANISM

Fig. No.	Part No.	Description	Pcs.	Remarks
D44	HF934E8001	Piston	1	
D45	HF931E8001	Pipe	1	
D46	HF932E8001	Cylinder base	1	
D47	HF997B8001	Gasket	2	
D48	H005001050	Washer	2	
D49	H415050180	Screw	2	M5×18
D50	H415040160	Screw	1	M4×16
D51	H005001040	Washer	1	
D52	HF943E8001	Spacer	1	
D53	HF937E8001	Coupling	1	
D54	HF938E8001	Hose	1	
D55	HF939E8001	Coupling	1	
D56	HF962E7101	Shaft	1	
D57	H415040120	Screw	1	M4×12
D58	HF924E8001	Bushing	2	
D59	H402050080	Screw	2	M5×8
D60	HF923E8001	Collar	2	
D61	HF970E8001	Sponge	1	
D62	HF964E8001	Oil wick	1	
D63	H415030060	Screw	1	M3×6
D64	HF974E8001	Plate	1	
D65	HF973E8001	Oil satchel	1	
D66	HF972E8001	Draught rod	1	
D67	HF961E8001	Plug	1	
D68	HF983E8001	Oil pipe	1	
D69	HF984E8001	Oil wick	1	
D70	HF982E8001	Spring	1	
D71	HF986E8001	Oil wick	1	
D72	HF977E8001	Pin	1	
D73	H401040040	Screw	1	M4×4
D74	HF977E8001	Pin	1	
D75	HF978E8001	Oil wick	1	
D76	HF979E8001	Stopper claw	1	
D77	HF925F8001	Joint	1	
D78	HF926F8001	Pin	1	
D79	HF933F8001	Slide block	1	
D80	HF914B8001	Screw	2	
D81	HF934F8001	Guide	1	
D82	HF928F8001	Pin	1	
D83	HF930F8001	Oil wick	1	
D84	HF932F8001	Screw	1	
D85	HF979E8001	Stopper claw	1	
D86	HF939F8001	Oil wick	1	

D.PRESSER FOOT MECHANISM

Fig. No.	Part No.	Description	Pcs.	Remarks
D87	H431050100	Screw	1	M5×10
D88	HF940F8001	Bushing	1	
D89	HF938F8001	Outer presser bar	1	
D90	HF946F8001	Presser connecting plate	1	
D91	HF977E8001	Connecting pin	2	
D92	HF978E8001	Oil wick	2	
D93	HF979E8001	Stopper claw	2	
D94	H401040040	Screw	1	M4×4
D95	HF956F8001	Inner presser bar	1	
D96	HF959F8001	Inner presser foot	1	
D97	HF960F8001	Screw	1	
D98	HF943F8001	Outer presser foot	1	
D99	H401040100	Screw	1	M4×10
D100	H431040040	Screw	1	M4×4
D101	HF987E8001	Holder	1	
D102	HF922E8001	Potentiometer control	1	

E.UPPER FEED LIFTING ROCK SHAFT MECHANISM



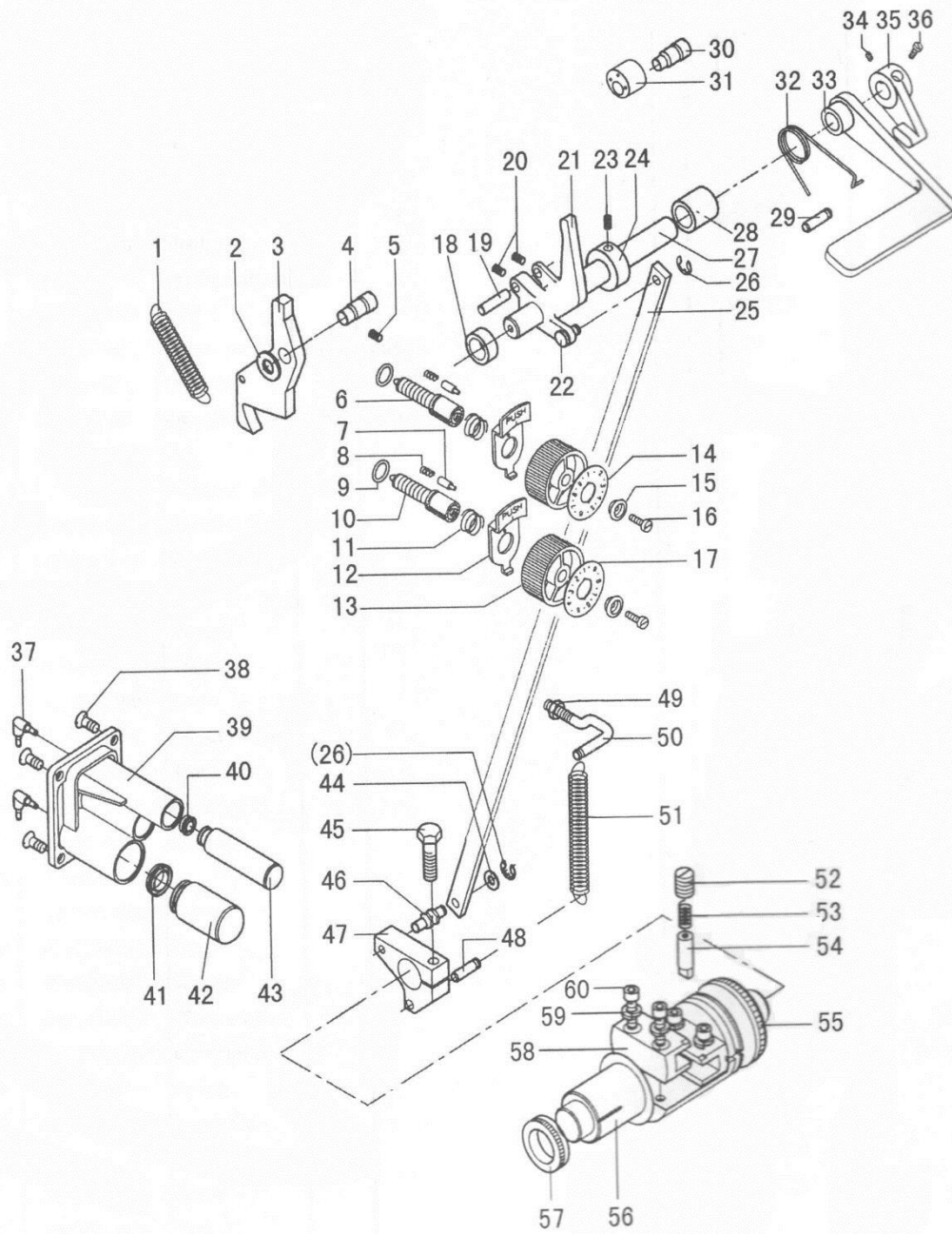
E.UPPER FEED LIFTING ROCK SHAFT MECHANISM

Fig. No.	Part No.	Description	Pcs.	Remarks
E01	H007013080	E-type retaining ring 8	1	
E02	HF965F7101	Press adjusting plate assy	1	
E03	HF963F8001	Pin	1	
E04	HF961F7101	Press adjusting dial	1	
E05	H007013050	E-type retaining ring 5	1	
E06	H612030080	Spring pin	2	
E07	HF976F8001	Spring support (U)	1	
E08	HF972F8001	Spring	1	
E09	HF975F8001	Hose	1	
E10	HF973F8001	Shaft	1	
E11	HF974F8001	Spring support (D)	1	
E12	H428080120	Bolt	1	M8×12
E13	HF905F8001	Press-foot lifter shaft bush(L)	1	
E14	HF922F8001	Oil wick	1	
E15	HF919F7101	Press-foot lifter connection assy	1	
E16	H605050320	Pin	1	
E17	HF904F8001	Press bar lifter shaft	1	
E18	HF906F8001	Spreader shaft bush(L2)	1	
E19	H424050160	Set screw	1	
E20	H003002050	Nut	1	
E21	HF997F8001	Stopper	1	
E22	HF996F8001	Crack	1	
E23	H415060160	Screw	1	M6×16
E24	HF910F8001	Set screw collar	1	
E25	H401050060	Screw	1	
E26	HF907F8001	Bushing(R)	1	
E27	HF909F8001	Bushing	1	
E28	HF908F8001	Bushing(R2)	1	
E29	H415060200	Screw	1	M6×20
E30	HF913F8001	Crack	1	
E31	HF915F8001	Washer	2	
E32	H005014080	Wave washer	1	
E33	HF916F8001	Lifter lever	1	
E34	HF917F8001	Screw	1	
E35	HF980F8001	Lever(U)	1	
E36	H415060160	Screw	1	M6×16
E37	H415050250	Screw	2	M5×25
E38	H003002050	Nut	4	M5
E39	H3405D0663	Link ball	2	
E40	HF984F8001	Knee lifter connecting bar	1	
E41	HF982F8001	Main spring	1	
E42	HF988F8001	Lever(D)	1	
E43	HF993F8001	Shaft	1	

E.UPPER FEED LIFTING ROCK SHAFT MECHANISM

Fig. No.	Part No.	Description	Pcs.	Remarks
E44	H007013090	E-type retaining ring	1	
E45	H415060160	Screw	1	M6×16
E46	H104060250	Screw	1	M6×25
E47	HF990F8001	Knee lifter plate	1	
E48	H7316E8001	Nut	1	

F.STITCH REGULATOR MECHANISM



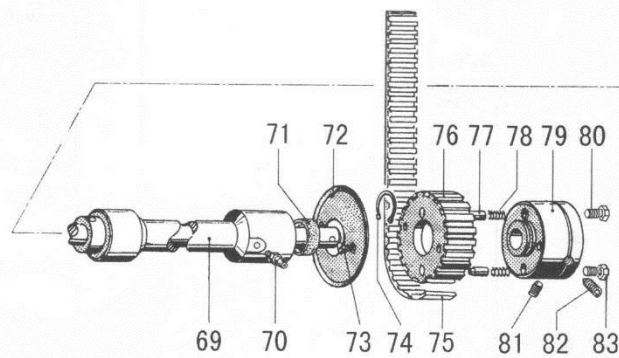
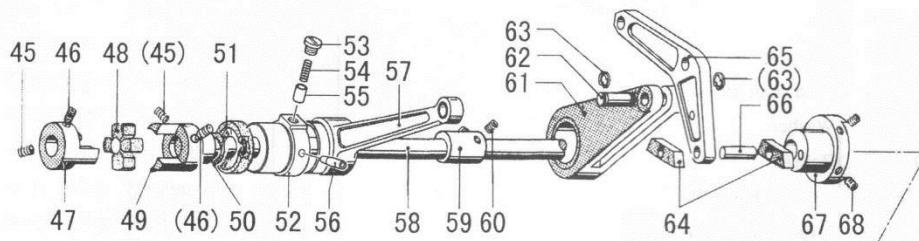
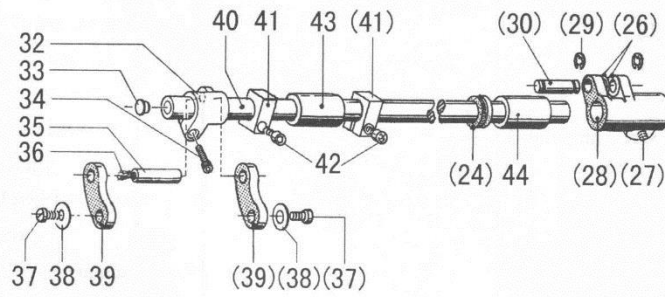
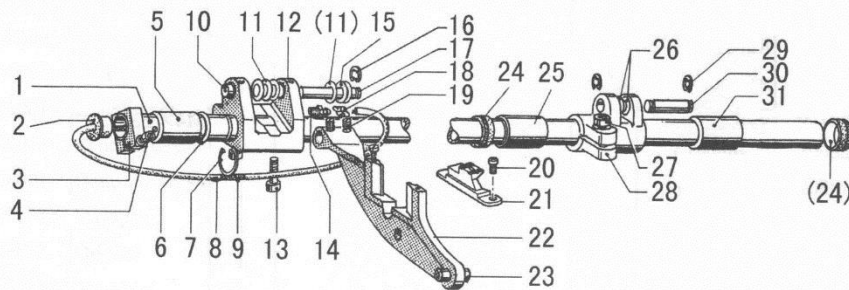
F.STITCH REGULATOR MECHANISM

Fig. No.	Part No.	Description	Pcs.	Remarks
F01	HF925H8001	Spring	1	
F02	HF924H8001	Washer	1	
F03	HF922H8001	Feed adjusting arm	1	
F04	HF923H8001	Pin	1	
F05	H431050080	Bolt	1	M5×8
F06	HF905H8001	Feed adjusting screw (long)	1	
F07	HA700F2030	Positioning pin	2	
F08	H3200F2110	Spring	2	
F09	HA109F0674	O ring	2	
F10	HF914H8001	Feed adjusting screw (short)	1	
F11	HA720F0687	Spring	2	
F12	HA720F0683	Support plate	2	
F13	HA7421F120	Feed adjusting dial	2	
F14	HF909H8001	Feed adjusting dial plate(L)	1	
F15	HA720F0685	Bushing	2	
F16	HA720F0686	Screw	2	
F17	HF918H8001	Feed adjusting dial plate(S)	1	
F18	HF928H8001	Reverse shaft bushing(L)	1	
F19	HF932H8001	Pin	1	
F20	H428060080	Bolt	2	M6×8
F21	HF930H8001	Reverse stitching arm(U)	1	
F22	HF934H8001	Pin	1	
F23	H428060060	Bolt	1	M6×6
F24	HF927H8001	Collor	1	
F25	HF933H8001	Rod	1	
F26	H007013050	E-tpye retaining ring 5	2	
F27	HF970H8001	Reverse stitching shaft	1	
F28	HF931H8001	Reverse shaft bushing(R)	1	
F29	H6511H8001	Pin	1	
F30	H4937L8001	Bolt	1	
F31	H4938L8001	Rubber ring	1	
F32	HF969H8001	Spring	1	
F33	HF968H8001	Reverse stitching lever	1	
F34	HA3411D308	Bolt	1	
F35	H4936L8001	Reverse stitching lever block	1	
F36	HA113F0684	Bolt	1	
F37	HF937E8001	Coupling	2	
F38	H403060100	Screw	4	M6×10
F39	HF947H8001	Pump	1	
F40	HF954H8001	Ring	1	
F41	HF951H8001	Ring	1	
F42	HF950H8001	Piston	1	
F43	HF953H8001	Piston	1	

F.STITCH REGULATOR MECHANISM

Fig. No.	Part No.	Description	Pcs.	Remarks
F44	H005001060	Washer	1	
F45	H104060250	Screw(D)	1	M6×25
F46	HF939H8001	Bolt	1	
F47	HF937H8001	Reverse stitching arm(D)	1	
F48	HF941H8001	Spring pin	1	
F49	H003001060	Nut	1	
F50	HF943H8001	Rod	1	
F51	HF942H8001	Pull spring	1	
F52	H424100100	Thread pin	1	M10×10
F53	H3100D2090	Presser spring	1	
F54	HF963H8001	Key	1	
F55	HF966H8001	Oil seal	1	
F56	HF958H8001	Shaft	1	
F57	HF967H8001	Oil seal	1	
F58	HF961H8001	Guide	2	
F59	H005009050	Elastic washer	4	
F60	H415050160	Screw	4	M5×16

G.FEEDING AND FEED LIFTING & ROTATING HOOK SHAFT MECHANISM



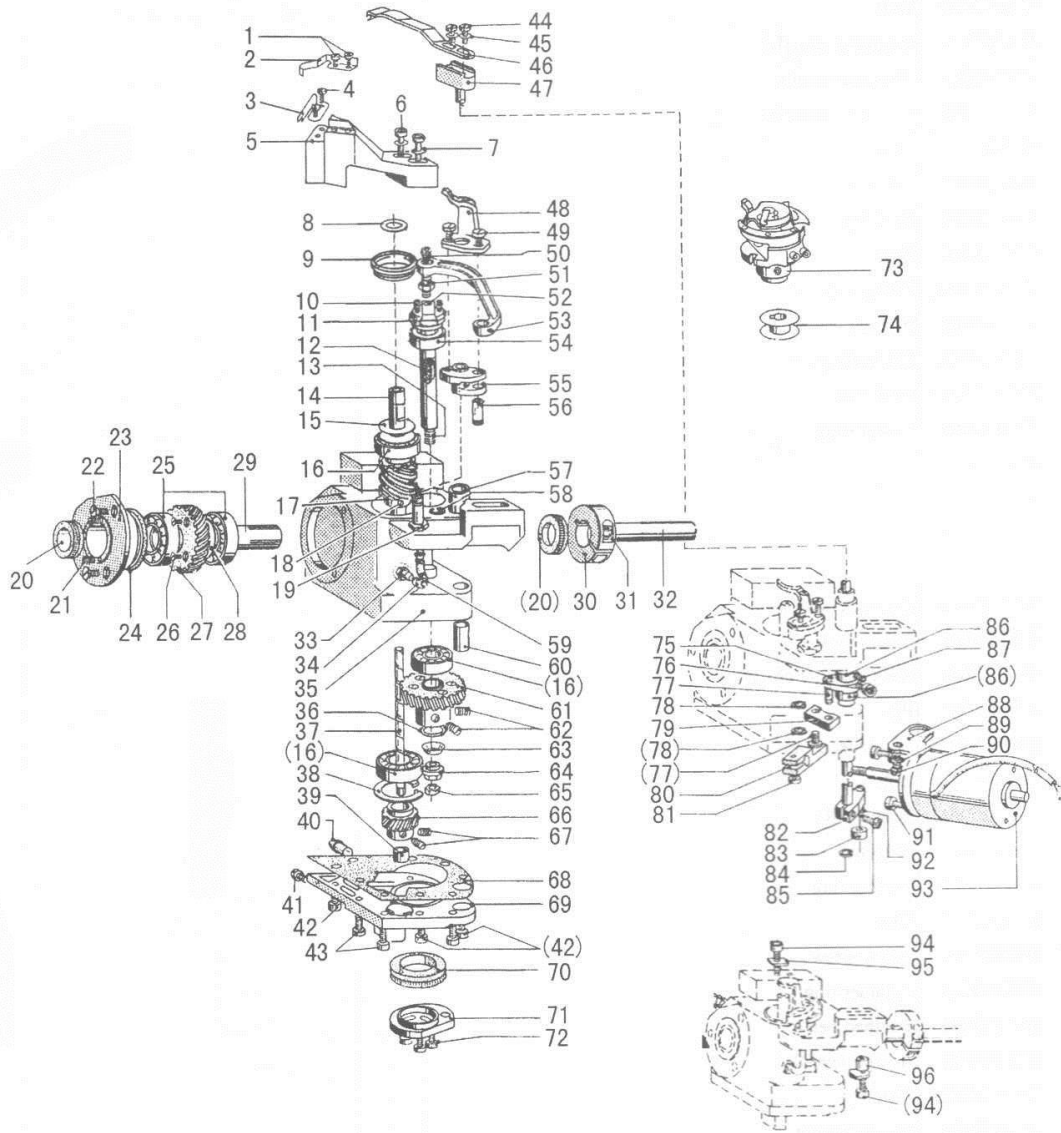
G.FEEDING AND FEED LIFTING & ROTATING HOOK SHAFT MECHANISM

Fig. No.	Part No.	Description	Pcs.	Remarks
G01	HF928I8001	Feed shaft	1	
G02	HF959G8001	Rubber cap	1	
G03	HF965G8001	Adjusting shaft collar	1	
G04	H415040120	Bolt	1	M4×12
G05	HF927E8001	Bushing(L)	1	
G06	HF931I8001	Thurst ring	1	
G07	H007009150	E-type retaining ring	1	
G08	HF941I8001	Tube	1	
G09	HF942I8001	Oil wick	1	
G10	HF937I8001	Bushing	4	
G11	HF945I8001	Washer	3	
G12	HF935I8001	Feed arm(L)	1	
G13	HF936I8001	Bolt(L)	2	
G14	HF956G8001	Oil joint	1	
G15	HF946I8001	Spring	2	
G16	H007013050	E-type retaining ring 5	1	
G17	HF944I8001	Pin	1	
G18	HF939I8001	Tube support	1	
G19	HF948I8001	Bolt	2	
G20	HF951I8001	Screw	2	
G21	HF950I8001	Feed dog	1	
G22	HF949I8001	Feed bracket	1	
G23	HF953I8001	Pin	1	
G24	HF929I8001	Oil seal	3	
G25	HF927E8001	Feed shaft bushing(L)	1	
G26	HF927I8001	Washer	4	
G27	H415060120	Bolt(R)	2	M6×12
G28	HF923I8001	Feed shaft arm(R)	2	
G29	H007013050	E-type retaining ring 5	4	
G30	HF926I8001	Pin	2	
G31	HF924E8001	Feed shaft bushing(R)	2	
G32	HF957I8001	Feed connecting arm(L)	1	
G33	HA719B0707	Rubber cap	1	
G34	H415050160	Bolt	1	M5×16
G35	HF958I8001	Pin(L)	1	
G36	HF961I8001	Oil wick	1	
G37	H401030080	Bolt	2	
G38	HF954I8001	Washer	2	
G39	HF952I8001	Feed link	2	
G40	HF959I8001	Shaft	1	
G41	HF965G8001	Adjusting shaft collar	2	
G42	H415040120	Bolt	2	M4×12
G43	HF927E8001	Bushing(L)	1	

G.FEEDING AND FEED LIFTING & ROTATING HOOK SHAFT MECHANISM

Fig. No.	Part No.	Description	Pcs.	Remarks
G44	HF924E8001	Bushing(R)	1	
G45	H428060100	Bolt	2	M6×10
G46	H429060100	Bolt	2	M6×10
G47	HF975J8001	Coupling claw(L)	1	
G48	HF978J8001	Toothed wreath	1	
G49	HF977J8001	Coupling craw(R)	1	
G50	GB/T3452. 1	O ring	1	11. 8×1. 8
G51	HF988I8001	Oil seal	1	
G52	HF987I8001	Bushing(L)	1	
G53	HF992I8001	Bolt	1	
G54	H34412C110	Plunger spring	1	
G55	HF966I8001	Plunger	1	
G56	HA110E0672	Oil feeding pipe	1	
G57	HF971I7101	Feed rod	1	
G58	HF905I8001	Lower shaft	1	
G59	HF963I8001	Feed cam	1	
G60	H428060050	Bolt	2	M6×5
G61	HF919I7101	Low feed connecting rod assy	1	
G62	HF926I8001	Pin	1	
G63	H007013050	E-tpye retaining ring 5	2	
G64	HF961H8001	Slide block	2	
G65	HF925I8001	Back sylinder connection	1	
G66	HF960H8001	Pin	1	
G67	HF917I8001	Lower feed cam	1	
G68	H428060080	Bolt	2	M6×8
G69	HF990I8001	Bushing(R)	1	
G70	HF956G8001	Oil joint	1	
G71	HF991I8001	Sealing ring	1	
G72	HF915I8001	Disk	1	
G73	HF916I8001	Stunk screw	2	
G74	H007009220	Retainer ring	1	
G75	HF907I8001	Toothed belt	1	
G76	HF908I8001	Belt pulley(D)	1	
G77	HF911I8001	Piston	2	
G78	HF912I8001	Presser spring	2	
G79	HF910I8001	Body	1	
G80	H431060120	Adjusting screw	2	M6×12
G81	H431080120	Bolt	1	M8×12
G82	H430080120	Bolt	1	M8×12
G83	H003002060	Nut	2	M6

H.HOOK SADDLE MECHANISM



H.HOOK SADDLE MECHANISM

Fig. No.	Part No.	Description	Pcs.	Remarks
H01	H402025060	Screw	2	M2.5×6
H02	HF910J8001	Thread holding spring	1	
H03	HF908J8001	Fixed knife	1	
H04	H402025060	Screw	2	M2.5×6
H05	HF905J8001	Fixed knife support bracket	1	
H06	H415050250	Bolt	2	M5×25
H07	H005005050	Washer	2	
H08	HF989J8001	Washer	5	
H09	HF991J8001	Oil drip ring	1	
H10	HF997J8001	Bolt	2	
H11	HF995J8001	Shaft	1	
H12	HF92AJ8001	Oil wick	1	
H13	H424050200	Bolt	1	M5×20
H14	HF981J8001	Hook shaft	1	
H15	HF992J8001	Washer	1	
H16	HF984J8001	Ball bearing	3	
H17	HF983J8001	Gear	1	
H18	H431050050	Bolt	2	M5×5
H19	HF946J8001	Pin(L)	1	
H20	HF964J8001	Oil seal	2	
H21	HF966J8001	Bolt	3	
H22	HF965J8001	Screw	3	
H23	HF962J8001	Lower shaft holder	1	
H24	GB/T3452.1	O ring	1	38.7×1.8
H25	HF963J8001	Ball bearing	2	
H26	H403030080	Screw	4	
H27	HF969J8001	Lower shaft gear	1	
H28	HF970J8001	Washer	1	
H29	HF967J8001	Driving shaft	1	
H30	HF973J8001	Collor	1	
H31	H415060200	Bolt	1	M6×20
H32	HF971J8001	Shaft	1	
H33	HF956G8001	Oil feeding pipe(S)	1	
H34	HF949J8001	Tube	1	
H35	HF945J8001	Horizontal hook base	1	
H36	H005013060	Wave washer	1	
H37	HF990J8001	Lubrication shaft	1	
H38	H007007260	Retainer ring	1	
H39	HF956J8001	Bushing	1	
H40	HF947J8001	Oil feeding pipe(M)	2	
H41	H402030040	Bolt	1	M3×4
H42	H415040080	Bolt(short)	6	M4×8
H43	H415040120	Bolt(long)	3	M4×12

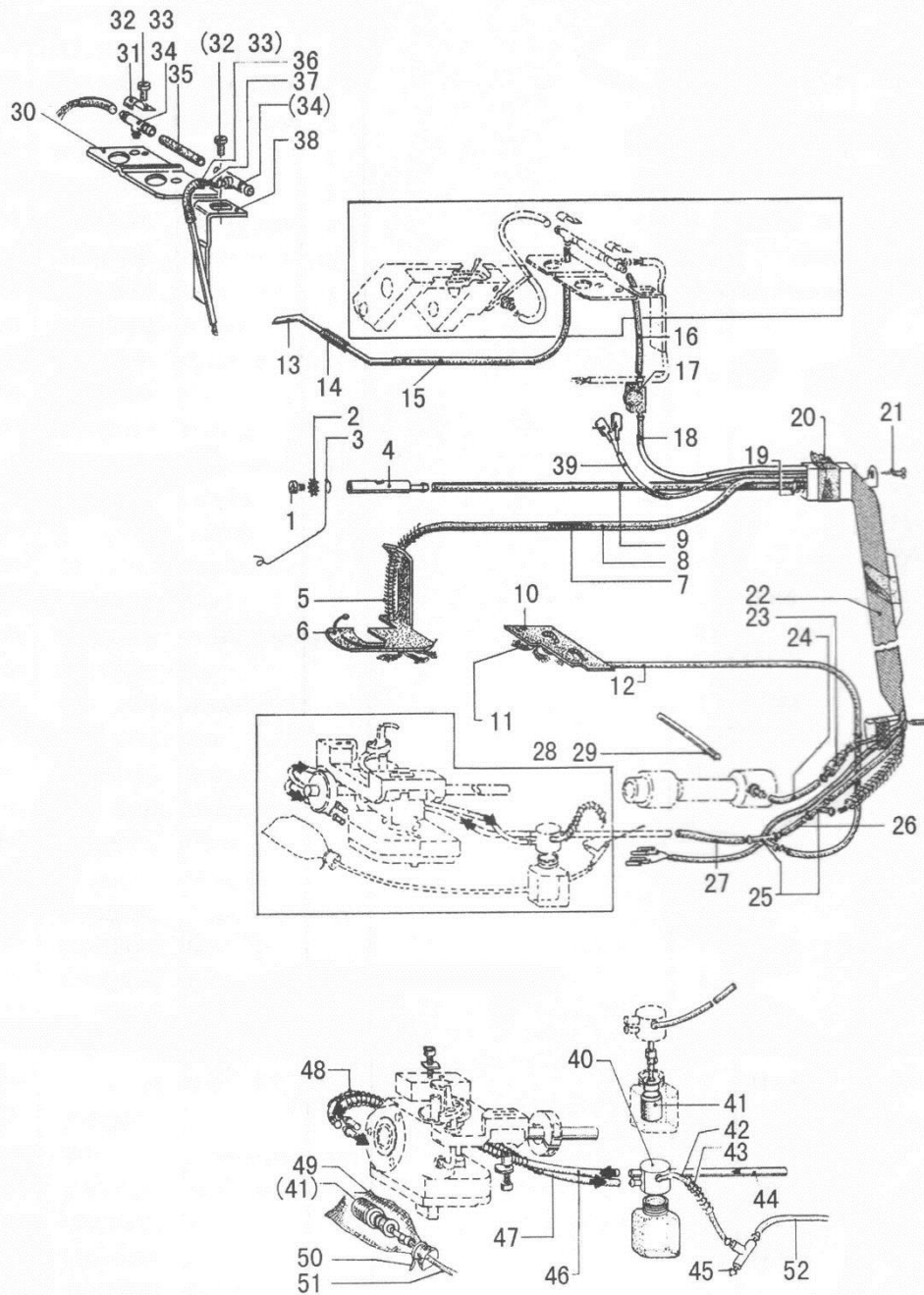
H.HOOK SADDLE MECHANISM

Fig. No.	Part No.	Description	Pcs.	Remarks
H44	H415030060	Bolt	2	M3×6
H45	H005004030	Washer	2	
H46	HF914J8001	Driving knife	1	
H47	HF913J8001	Driving knife shaft	1	
H48	HF90GJ8001	Opener	1	
H49	HF90HJ8001	Screw	2	
H50	HF90AJ8001	Oil wick	1	
H51	HF999J8001	Adjusting pin	1	
H52	HF90BJ8001	Adjusting guide rail	1	
H53	HF90DJ8001	Opener shaft	1	
H54	HF996J8001	Bearing	1	
H55	HF90FJ8001	Opener setting bracket	1	
H56	HF90EJ8001	Pin	1	
H57	HF917J8001	Bushing	1	
H58	H007013040	E-type retaining ring	1	
H59	HF950J8001	Oil wick	1	
H60	HF919J8001	Bushing	1	
H61	HF91CJ7101	Gear base assy	1	
H62	H431050060	Bolt	2	M5×6
H63	H005013050	Belleville spring washer	1	
H64	HF911J8001	Nut	1	
H65	HF91JJ8001	Hexagonal nut	1	
H66	HF91AJ8001	Gear	1	
H67	H431050050	Bolt	2	M5×5
H68	HF954J8001	Sheet packing	1	
H69	HF953J8001	Cover	1	
H70	HF958J8001	Oil seal	1	
H71	HF942J8001	Thread trimmer cam	1	
H72	H415040080	Bolt	3	M4×8
H73	HF985J7101	Horizontal hook	1	
H74	HF971B8001	Bobbin	1	
H75	HF931J8001	Driving knife arm(S)	1	
H76	H415040120	Bolt	1	M4×12
H77	HF934J8001	Pin	2	
H78	H007013040	E-type retaining ring	2	
H79	HF933J8001	Driving knife connection	1	
H80	HF928J8001	Soloid setting bracket	1	
H81	H415040080	Bolt	1	M4×8
H82	HF937J8001	Driving knife arm(L)	1	
H83	HF940J8001	Roller	1	
H84	H007013030	E-type retaining ring	1	
H85	H415040120	Bolt	1	M4×12
H86	HF920J8001	Collor	2	

H.HOOK SADDLE MECHANISM

Fig. No.	Part No.	Description	Pcs.	Remarks
H87	H428050050	Bolt	2	M5×5
H88	HF922J8001	Solinoïd setting plate	1	
H89	H005018060	Washer	1	
H90	H415060120	Bolt	1	M6×12
H91	H415040100	Bolt	2	M4×10
H92	HF939J8001	Pin	1	
H93	HF925J8001	Thread trimmer solinoïd	1	
H94	H415060220	Bolt	2	M6×22
H95	HF92BJ8001	Spacer	1	
H96	HF92CJ8001	Eccentric collar	1	

I.OIL LUBRICATION MECHANISM



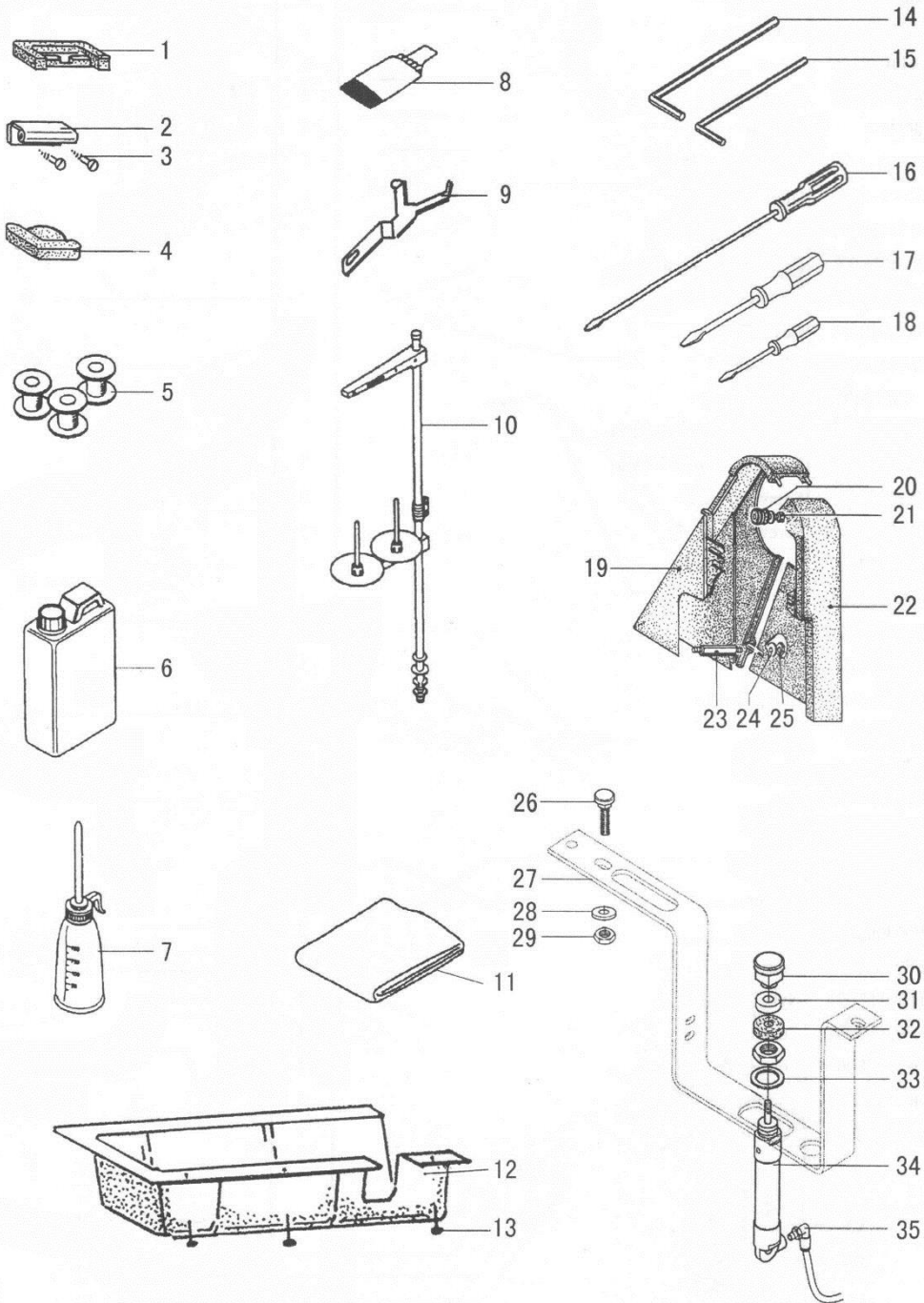
I.OIL LUBRICATION MECHANISM

Fig. No.	Part No.	Description	Pcs.	Remarks
I01	H401050080	Bolt	1	M5×8
I02	H005018050	Spacer	1	
I03	HF909K8001	Oil wick support	1	
I04	HF917K8001	Oil joint	1	
I05	HF908K8001	Tube guide	1	
I06	HF906K8001	Felt	1	
I07	HF907K8001	Oil wick	1	
I08	HF905K8001	Oil tube	1	
I09	HF918K8001	Oil tube	1	
I10	HF914K8001	Felt	1	
I11	HF915K8001	Oil wick	1	
I12	HF913K8001	Oil tube	1	
I13	HF948K8001	Pipe	1	
I14	HF950K8001	Oil tube	1	
I15	HF949K8001	Hose	1	
I16	HF936K8001	Oil pipe	1	
I17	HF959K8001	Oil window	1	
I18	HF957K8001	Oil pipe	1	
I19	HF919K8001	Spring	1	
I20	HF962K8001	Tape	1	
I21	H802040160	Screw	2	4×16
I22	HF960K8001	Guard plate	1	
I23	HF956K7101	Valve	1	
I24	HF955K8001	Main oil pipe	1	
I25	HF920K8001	Oil joint	2	
I26	HF921K8001	Oil pipe	1	
I27	HF922K8001	Oil pipe	1	
I28	HF938K8001	Oil joint	1	
I29	HF939K8001	Oil pipe	1	
I30	HF951K8001	Oil pipe setting plate	1	
I31	H32311D606	Oil wick setting plate	2	
I32	H415040100	Screw	2	M4×10
I33	H005001040	Washer	2	
I34	H3210K0671	T-joint	2	
I35	HF942K8001	Hose	1	
I36	HF947K8001	Hose	1	
I37	HF946K8001	Oil wick	1	
I38	HF943K8001	Oil pipe plate assy	1	
I39	HF92FJ7101	Wire assy	1	
I40	HF927K7101	Oil hose assy	1	
I41	HF963K7101	Filter pot assy	2	
I42	HF929K8001	Oil pipe	1	
I43	HF930K8001	Support spring	1	

I.OIL LUBRICATION MECHANISM

Fig. No.	Part No.	Description	Pcs.	Remarks
I44	HF923K8001	Oil pipe	1	
I45	H3210K0671	T-joint	1	
I46	HF924K8001	Oil pipe	1	
I47	HF925K8001	Oil pipe	1	
I48	HF926K8001	Support spring	2	
I49	HF932K8001	Felt part	1	
I50	HA300I2040	Cable tie	1	
I51	HF934K8001	Oil pipe	1	
I52	HF937K8001	Oil pipe	1	

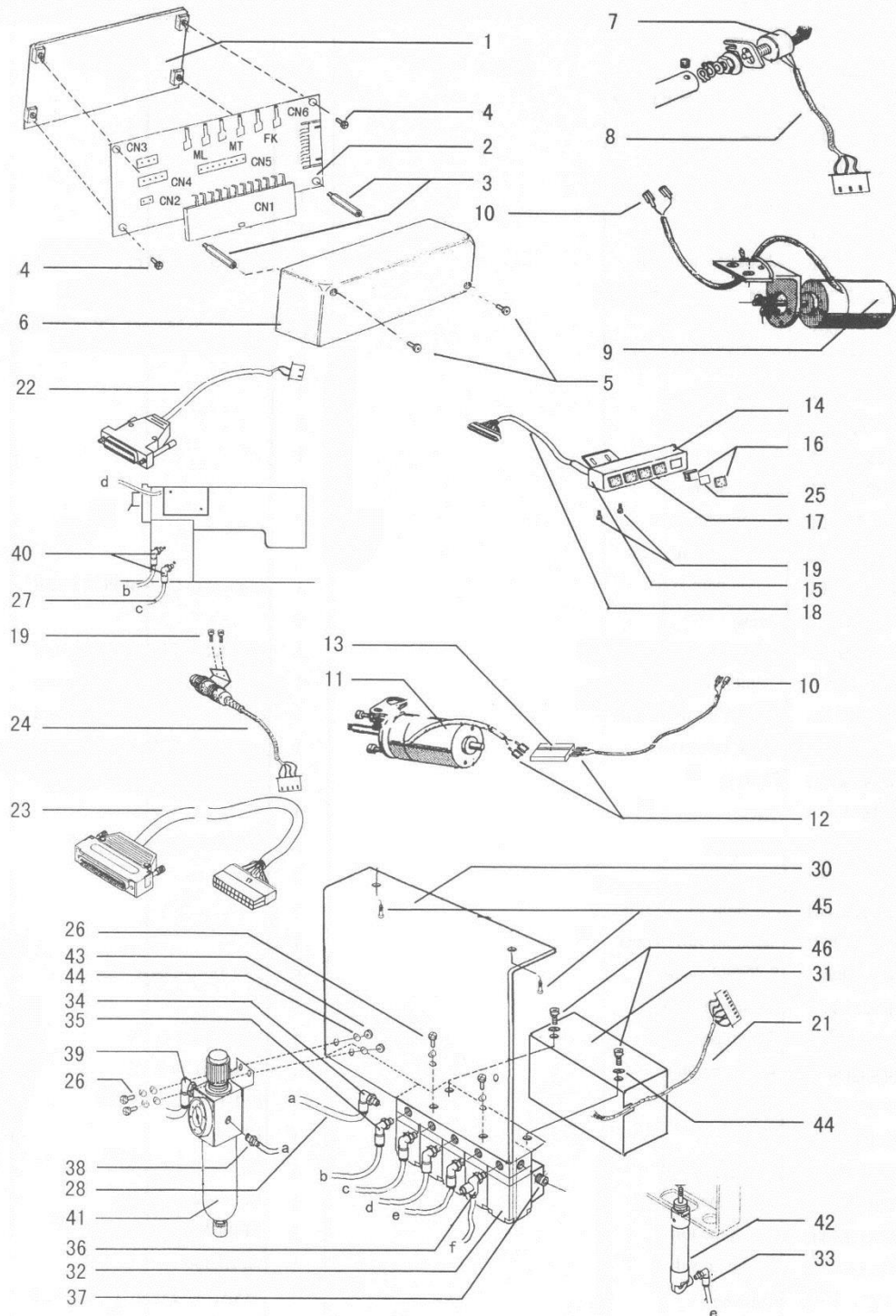
J.ACCESSORIES



J.ACCESSORIES

Fig. No.	Part No.	Description	Pcs.	Remarks
J01	HA307J0671	Hinge support	2	
J02	HF914L8001	Hinge	2	
J03	H411060100	Screw	4	
J04	HF905L8001	Head cushion	2	
J05	HF971B8001	Bobbin	3	
J06	HA100J2170	Oil tank	1	
J07	H200400069	Oiler	1	
J08	HF974G8001	Needle	4	
J09	HF913L8001	Detector setting plate	1	
J10	HA200J2030	Cotton stand assy	1	
J11	HA100J2180	Cover	1	
J12	HF904L8001	Oil plate	1	
J13	GB/T349	Nail	8	1.6×25
J14	HB00001025	Hexagonal wrench (2.5)	1	
J15	HB00001015	Hexagonal wrench (1.5)	1	
J16	HA300J2070	Screw driver(L)	1	
J17	HA300J2200	Screw driver(M)	1	
J18	HA300J2210	Screw driver(S)	1	
J19	HF908L8001	Belt guard(R)	1	
J20	HF915L8001	Rubber washer	1	
J21	H401060120	Bolt	1	
J22	HF907L8001	Belt guard(L)	1	
J23	HF911L8001	Bolt	1	
J24	H005001060	Washer	1	
J25	H7316E8001	Nut	1	
J26	H125080600	Screw	2	
J27	HF925L8001	Bow	1	
J28	H005001080	Spacer	2	
J29	H003002080	Nut	2	
J30	HF928L8001	Coupling	1	
J31	HF929L8001	Nylon washer	1	
J32	HF930L8001	Cushion	1	
J33	HF933L8001	Washer	1	
J34	HF931L8001	Cylinder	1	
J35	HF932L8001	Coupling	1	

K.PNEUMATIC CONTROL UNIT



K.PNEUMATIC CONTROL UNIT

Fig. No.	Part No.	Description	Pcs.	Remarks
K01	HF930M8001	Connecting box base	1	
K02	HF924M8001	PCB board	1	
K03	HF932M8001	Connecting box screw	2	
K04	H409040160	Screw	2	
K05	H415030120	Screw	2	
K06	HF931M8001	Connecting box cover	1	
K07	HF922E8001	Rheostat	1	
K08	HF926M7101	Rheostat wire assy	1	connect to CN3 of PCB board
K09	HF922C8001	Tension release solenoid	1	
K10	HF921J8001	Wire joint	6	connect to MT,ML,FK of PCB board
K11	HF925J8001	Trimming solenoid	1	
K12	HF92HJ8001	Wire joint	4	
K13	HF92EJ8001	H type wire joint	1	
K14	HF934M8001	Button set frame	1	
K15	HF933M8001	Button set board	1	
K16	HF937M8001	Button with light	3	
K17	HF937M8002	Button without light	2	
K18	HF928M7101	Button wire assy	1	connect to CN6 of PCB board
K19	H415040060	Screw	4	
K21	HF927M7101	Solenoid valve wire assy	1	connect to CN5 of PCB board
K22	HF929M7101	Count to alarm wire assy	1	connect to CN2 of PCB board
K23	HF925M7101	Control box wire assy	1	connect to CN1 of PCB board
K24	HF938M7101	Reset button assy	1	connect to CN4 of PCB board
K25	HF940M8001	Plotting	5	set inside the button
K26	HZ15040120	Screw	4	
K27	HF914M8002	Windpipe	1	φ 4(same letter matches)
K28	HF915M8001	Windpipe	1	φ 6
K30	HF917M8001	Solenoid valve set board	1	
K31	HF941M8001	Solenoid valve cover	1	
K32	HF907M8001	Solenoid valve	5	3V1-06-DC24V
K33	HF932L8001	Windpipe joint	1	
K34	H4921N8001	Windpipe joint	1	EPL6-01 φ 6-1/8"
K35	HF932L8001	Windpipe joint	4	EPL4-01 φ 4-1/8"
K36	HF913M8001	Throttle	1	ESL4-01 φ 4-1/8"
K37	HD492M8001	Plug	1	PT1/8"
K38	H4919N8001	Windpipe joint	1	EPL6-02 φ 6-1/4"
K39	H4914N8001	Windpipe joint	1	EPL8-02 φ 8-1/4"
K40	HF937E8001	Windpipe joint	3	EPL4-M5(AIRTAC)
K41	H4915N8001	Reducing valve	1	AFR2000
K42	HF931L8001	Cylinder	1	MSAL-U-25×56 (AIRTAC)
K43	H003002040	Nut	2	
K44	H005001040	Washer	4	
K45	H801050200	Screw	2	

K.PNEUMATIC CONTROL UNIT

Fig. No.	Part No.	Description	Pcs.	Remarks
K46	H409040100	Screw	2	