

**WYKAZ CZĘŚCI
DO STĘBNÓWKI HIGHLEAD**

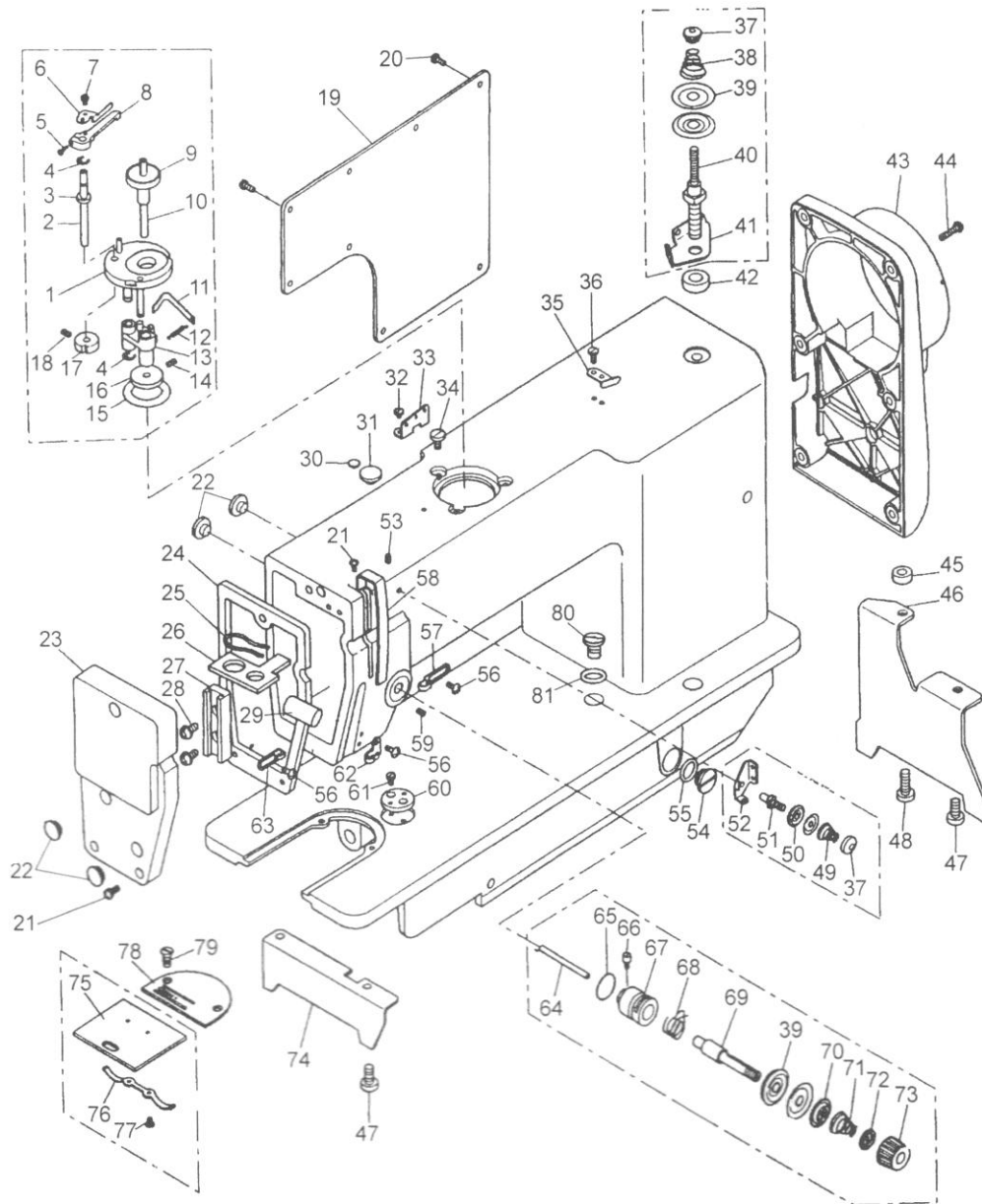
MODEL

GC1998-MDZ

GC1998-HDZ

GC1998-BDZ

A.ARM BED AND ITS ACCESSORIES



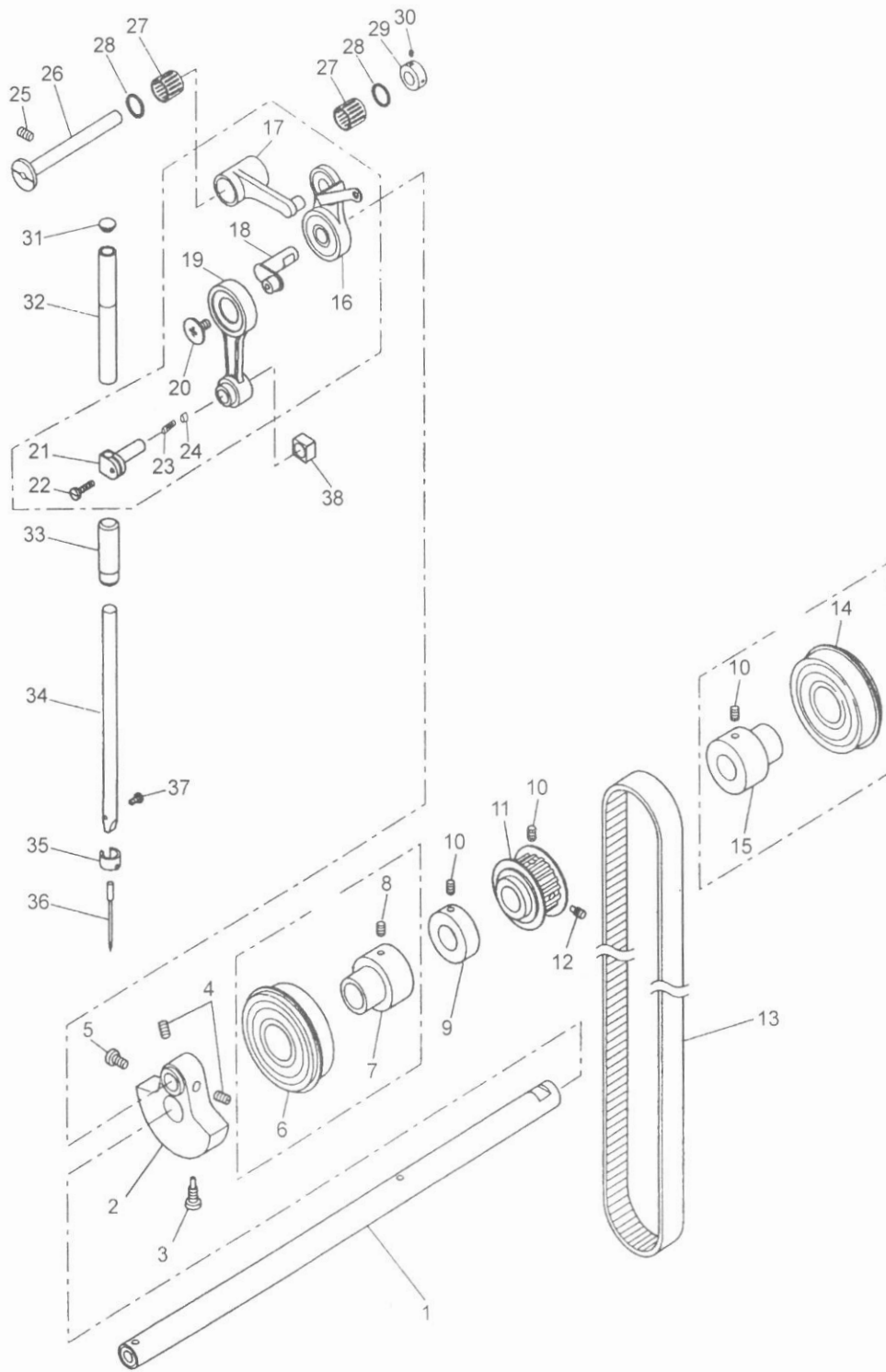
A.ARM BED AND ITS ACCESSORIES

Fig. No.	Part No.	Description	M	H	B	Remarks
A01	HB2252N072	Bobbin winder base	1	1	1	
A02	H6723N8001	Cam shaft	1	1	1	
A03	H6722N8001	Wash	1	1	1	
A04	H007013050	E-type stop ring	2	2	2	
A05	HA100H2150	Screw	1	1	1	
A06	H6721N8001	Adjust plate	1	1	1	
A07	H3200B2100	Screw	1	1	1	
A08	H6720N8001	Spanner	1	1	1	
A09	H6717N8001	Seat	1	1	1	
A10	H6716N8001	Shaft	1	1	1	
A11	H6715N8001	Spring	1	1	1	
A12	H6724N8001	Spring	1	1	1	
A13	H6711N7101	Winch	1	1	1	
A14	H431040060	Screw	2	2	2	
A15	H6719N8001	Rubber rub	1	1	1	
A16	H6718N8001	Rub ring	1	1	1	
A17	H6725N8001	Cam	1	1	1	
A18	H431050060	Screw	1	1	1	
A19	HG510B8001	Side cover	1	1	1	
A20	HA300B2170	Screw	8	8	8	
A21	HA300B2160	Screw	4	4	4	
A22	HA307B0674	Rubber plug	4	4	4	
A23	HB2260B081	Face plate	1	1	1	
A24	H6722B8001	Gasket for face plate	1	1	1	
A25	H6732P8001	Holder	1	1	1	
A26	H6731P8001	Felt	1	1	1	
A27	H6705H8001	Needle bar connecting linkGuide	1	1	1	
A28	HA300C2030	Screw	2	2	2	
A29	H3204G0652	Felt	1	1	1	
A30	HA300B2090	Rubber plug	1	1	1	
A31	HA307B0673	Rubber plug	1	1	1	
A32	HA700B2060	Screw	1	1	1	
A33	HA700B2050	Thread guide	1	1	1	
A34	H3107G0662	Screw	3	3	3	
A35	H6756B8001	Thread cutter	1	1	1	
A36	H6762B8001	Screw	2	2	2	
A37	HA710B0671	Nut	2	2	2	
A38	H6739B8001	Thread tension spring	1	1	1	
A39	HA310B0705	thread tension discs	4	4	4	
A40	H6735B8001	Screw	1	1	1	
A41	H6736B8001	Thread guide	1	1	1	
A42	H6737B8001	Spacer	1	1		
A42	H8311B8001	Spacer			1	
A43	HG50Q78001	Motor cover	1	1	1	

A.ARM BED AND ITS ACCESSORIES

Fig. No.	Part No.	Description	M	H	B	Remarks
A44	HZ11050200	Screw	6	5	5	
A45	H6760B8001	Spacer	1	1	1	
A46	H8844B8001	Bed stud (right)	1	1	1	
A47	HA104F0654	Screw	3	3	3	
A48	HA800F2020	Screw	1	1	1	
A49	HA710B0672	Pre-tension spring	1	1	1	
A50	HA112B0693	Thread tension discs	2	2	2	
A51	HA710B0673	Screw	1	1	1	
A52	HA710B0674	Thread guide	1	1	1	
A53	HA100B2110	Screw	1	1	1	
A54	H6766B8001	Screw	1	1	1	
A55	H6758B8001	O-ring	1	1	1	
A56	HA106B0676	Screw	3	3	3	
A57	HA100B2140	Thread guide	1	1		
A57	HA600B2050	Thread guide			1	
A58	HB22511081	Thread take-up cover	1	1	1	
A59	HA300B2080	Screw	1	1	1	
A60	HA300B2140	Plate for guide	1	1	1	
A61	HA300B2130	Screw	2	2	2	
A62	HA500C2060	Thread guide	1	1	1	
A63	HA106B0675	Thread guide	1	1		
A63	HA607B0671	Thread guide			1	
A64	H6725B8001	Pin	1	1	1	
A65	HA115B7011	O-ring	1	1	1	
A66	HA115B0708	Screw	1	1	1	
A67	HA310B0703	Thread tension regulator bushing	1	1	1	
A68	HA115B0706	Thread take-up spring	1			
A68	HA806B0671	Thread take-up spring		1	1	
A69	HA115B0701	Thread tension stud	1	1	1	
A70	HA310B0702	Thread tension releasing discs	1	1	1	
A71	HA115B0703	Thread tension spring	1			
A71	HA806B0672	Thread tension spring		1	1	
A72	HA115B7010	Thumb nut revolution stopper	1	1	1	
A73	HA310B0701	Thumb nut	1	1	1	
A74	H6727B8001	Bed stud (left)	1	1	1	
A75	HA124B0711	Slide plate	1	1	1	
A76	HA324B0711	Spring for slide plate]	1	1	1	
A77	HA124B0713	Screw	2	2	2	
A78	HA700B2100	Needle plate	1			
A78	HA500B2030	Needle plate		1	1	
A79	HA300B2190	Screw	2	2	2	
A80	H8810P8001	Screw	1	1	1	
A81	H8812P8001	Washer	1	1	1	

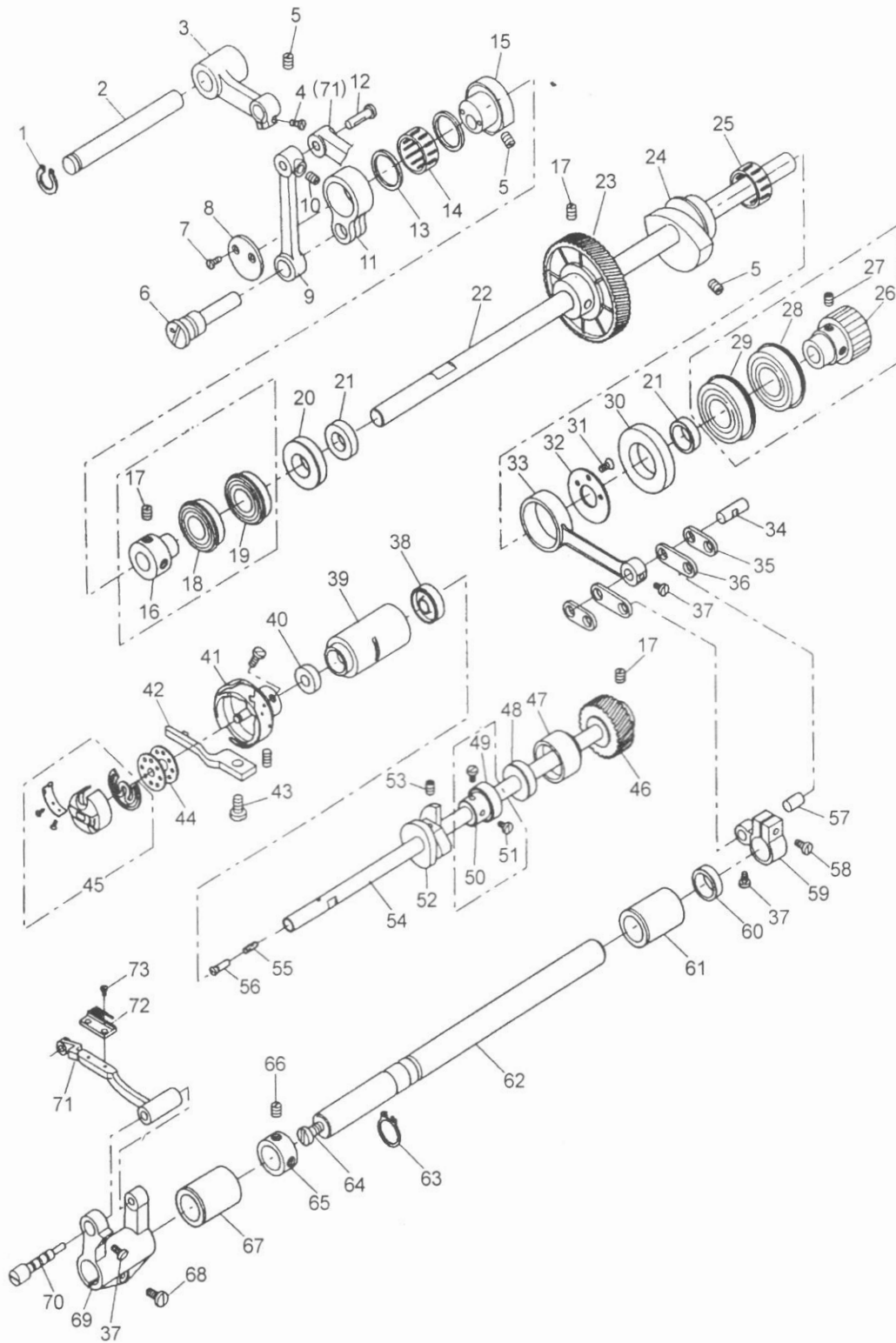
B.NEEDLE BAR AND THREAD TAKE-UP MECHANISM



B.NEEDLE BAR AND THREAD TAKE-UP MECHANISM

Fig. No.	Part No.	Description	M	H	B	Remarks
B01	H8804C8001	Upper shaft	1	1	1	
B02	H6706C8001	Crank	1			
B02	H9105C8001	Crank		1	1	
B03	HA100C2070	Screw	1	1	1	
B04	HA307C0662	Screw	2	2	2	
B05	HA100C2060	Screw	1	1	1	
B06	H3208H0661	Ball bearing	1	1	1	
B07	H6711C8001	Bushing	1	1	1	
B08	H6719C8001	Screw	2	2	2	
B09	H6713C8001	Bobbin winder driving wheel	1	1	1	
B10	H431060080	Screw	5	5	5	
B11	H6708C8001	Belt pulley (upper)	1	1	1	
B12	H6715C8001	Screw	1	1	1	
B13	H8805C8001	Belt	1	1		
B13	HM209C8001	Belt			1	
B14	H3205J0662	Ball bearing	1	1	1	
B15	H6717C8001	Bushing	1	1	1	
B16	H6706I7101	Thread take-up lever assy.	1	1		
B16	H8306I7101	Thread take-up lever assy.			1	
B17	H6710I8001	Thread take-up lever link	1	1	1	
B18	H6711I8001	Thread take-up crank	1			
B18	H9108I8001	Thread take-up crank		1	1	
B19	H6712I7101	Needle bar link assy.	1	1	1	
B20	H6715I8001	Screw	1	1	1	
B21	HA104C0658	Needle bar holder	1	1	1	
B22	H2204C0651	Screw	1	1	1	
B23	H24211D405	Oil wick	1	1	1	
B24	H24211D305	Plug	1	1	1	
B25	HA100C2020	Screw	1	1	1	
B26	H6716I8001	Thread take-up support shaft	1	1	1	
B27	H6717I8001	Bearing	2	2	2	
B28	H6718I8001	Bearing support	1	1	1	
B29	H6719I8001	Thrust collar	1	1	1	
B30	HA100B2110	Screw	3	3	3	
B31	HA300B2090	Rubber plug	1	1	1	
B32	H6711B8001	Bushing	1	1	1	
B33	H8813B8001	Bushing	1			
B33	HY911B8001	Bushing		1	1	
B34	H8807H8001	Needle bar	1			
B34	HY904H8001	Needle bar		1	1	
B35	HA500C2030	Thread guide	1	1	1	
B36		Needle	1			DB×1 14#
B36		Needle		1	1	DB×1 22#
B37	HA100C2170	Screw	1	1	1	
B38	H6706H8001	Square block	1	1	1	

C.FEEDING AND FEED LIFTING MECHANISM



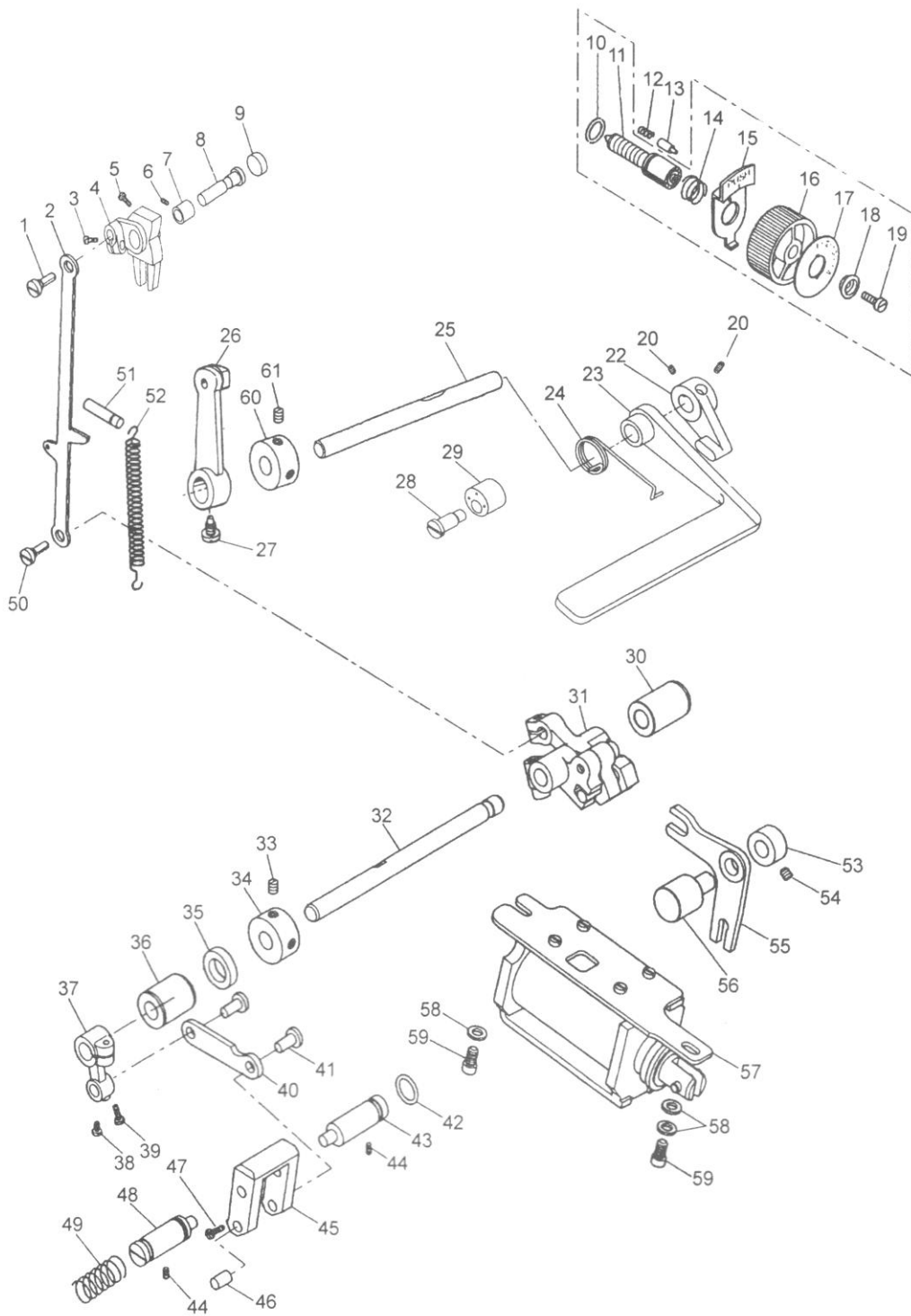
C.FEEDING AND FEED LIFTING MECHANISM

Fig. No.	Part No.	Description	M	H	B	Remarks
C01	H007009100	Retaining ring-C type	1	1	1	
C02	H9113D8001	Shaft	1	1	1	
C03	H9115D8001	Guide crank	1	1	1	
C04	HA300B2160	Screw	1	1	1	
C05	HA100C2020	Screw	5	5	5	
C06	H9116D8001	Eccentric shaft	1	1	1	
C07	HA106B0676	Screw	2	2	2	
C08	H9110D8001	Thrust collar	1	1	1	
C09	H9116E8001	Link	1	1		
C09	H8305E8001	Link			1	
C10	H431050050	Screw	1	1	1	
C11	H9109D8001	Feed lifting connecting rod	1	1	1	
C12	H6724D8001	Connecting stud	1	1	1	
C13	H9108D8001	Bearing support	2	2	2	
C14	H9107D8001	Needle bearing	1	1	1	
C15	H9105D8001	Feed lifting connecting cam	1	1	1	
C16	H8811D8001	Bushing	1	1	1	
C17	HA307C0662	Screw	6	6	6	
C18	H6711D8001	Ball bearing	1	1	1	
C19	H8813D8001	Ball bearing	1	1	1	6003ZZ
C20	H6714B8003	Bushing	1	1	1	
C21	H6745B8001	Oil seal	2	2	2	
C22	H8805D8001	Feed lifting rock shaft	1	1		
C22	HM205D8001	Feed lifting rock shaft			1	
C23	H6708D7101	Gear(large)	1	1	1	
C24	H6705E8001	Lever feed eccentric cam	1			
C24	H9109E8001	Lever feed eccentric cam		1	1	
C25	H6720E8001	Needle bearing	1			
C26	H8807D8001	Belt pulley(lower)	1	1	1	
C27	H431060080	Screw	2	2	2	
C28	H3208H0661	Ball bearing	1	1	1	6004ZZNI
C29	H8812D8001	Ball bearing	1	1	1	6004ZZ
C30	H6714B8001	Bushing	1	1	1	
C31	HA7311C306	Screw	3	3	3	
C32	H30211C406	Thrust collar	1	1	1	
C33	H6706E8001	Lever feed connecting rod	1	1	1	
C34	HA706C11B1	Pin	1	1	1	
C35	H6724E8001	Link	2	2	2	
C36	H6709E8001	Link	2	2	2	
C37	HA7311C806	Screw	3	3	3	
C38	H6709F8001	Oil seal	1	1	1	
C39	H6716B8002	Lower shaft bushing(left)	1	1	1	
C40	H6747B8001	Oil seal	1	1	1	
C41	H6711F7101	Rotary hook assy.	1			

C.FEEDING AND FEED LIFTING MECHANISM

Fig. No.	Part No.	Description	M	H	B	Remarks
C41	HA804E0065	Rotary hook assy.		1		
C41	HA906E0066	Rotary hook assy.			1	
C42	HA300E2050	Rotating hook positioner	1			
C42	HA500E2020	Rotating hook positioner		1		
C42	HA600E2040	Rotating hook positioner			1	
C43	HA100E2150	Screw	1	1	1	
C44	HA100E2180	Bobbin	1	1		
C44	HA600E2060	Bobbin			1	
C45	HA708E0068	Bobbin case assy.	1			
C45	HA805E0066	Bobbin case assy.		1		
C45	HA900E2030	Bobbin case assy.			1	
C46	H6709D8001	Gear(small)	1	1	1	
C47	H8832B8001	Lower shaft bushing(right)	1	1	1	
C48	H6747B8001	Oil seal	1	1	1	
C49	H6707F8001	Ball bearing	1	1	1	
C50	H6708F8001	Bushing	1	1	1	
C51	HA300B2130	Screw	2	2	2	
C52	HA710E0691	Thread trimmer cam	1	1	1	
C53	HA710E0692	Screw	1	1	1	
C54	H8804F8001	Lower shaft	1	1		
C54	HM205F8001	Lower shaft			1	
C55	H6712F8001	Oil wick	1	1	1	
C56	H6726E8001	Screw	1	1	1	
C57	HA706C11B2	Pin	2	2	2	
C58	HA7311C606	Screw	1	1	1	
C59	H6707E8001	Feed rock shaft crank	1	1	1	
C60	H6748B8001	Oil seal	1	1	1	
C61	H8829B8001	Bushing	1	1	1	
C62	H8807E8001	Feed rock shaft	1	1	1	
C63	H007009150	Retaining ring-C type	1	1	1	
C64	HA300J2280	Screw	1	1	1	
C65	HA108G0661	Thrust collar	1	1	1	
C66	HA105D0662	Screw	2	2	2	
C67	H8828B8001	Bushing	1	1	1	
C68	HA104G0012	Screw	1	1	1	
C69	H6715E8001	Crank	1	1	1	
C70	H6717E8001	Eccentric shaft	1	1	1	
C71	H9115E8001	Feed bar	1	1	1	
C72	HA104G0653	Feed dog	1	1	1	
C73	HA104G0654	Screw	2	2	2	

D.STITCH REGULATOR MECHANISM



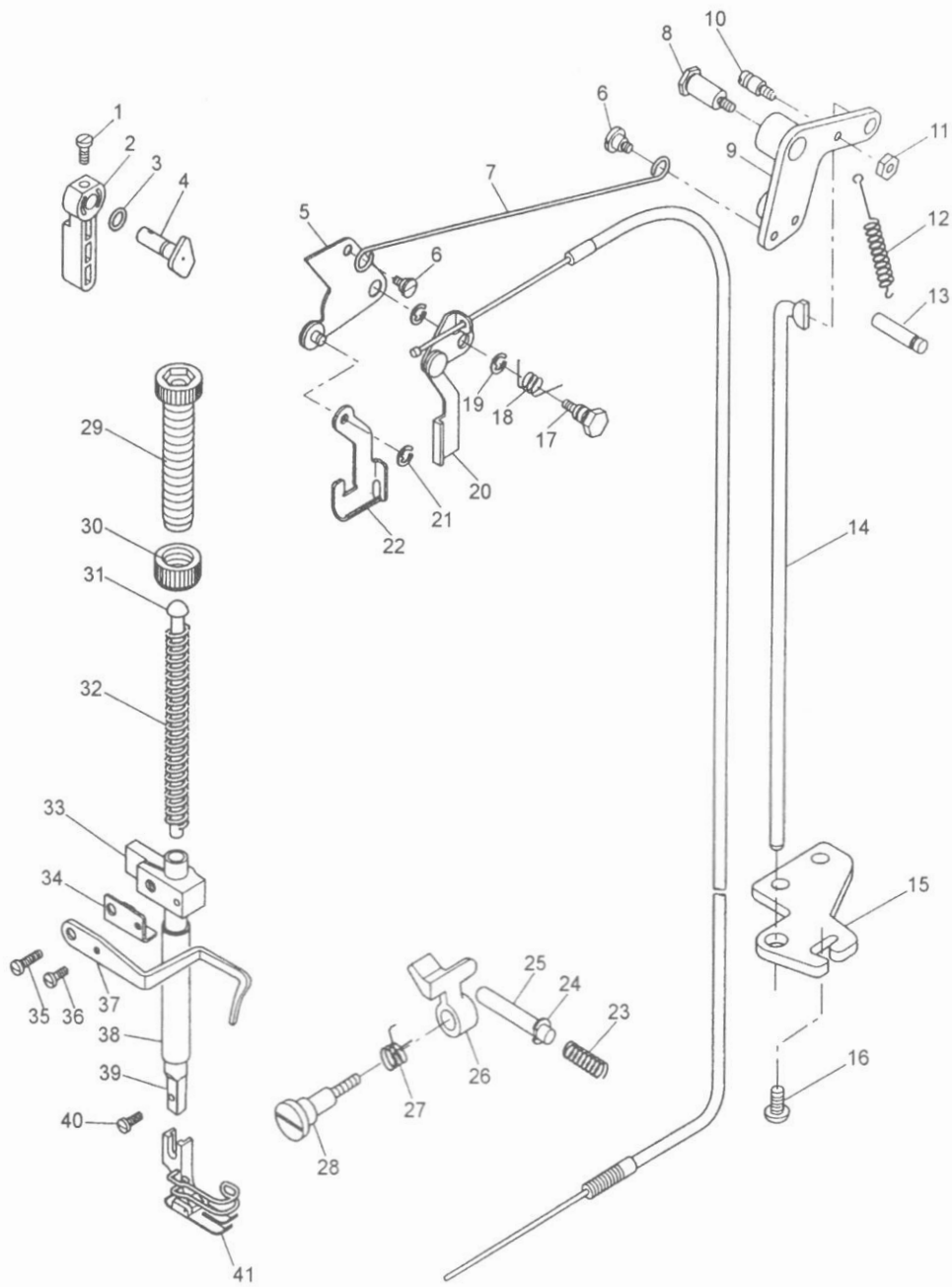
D.STITCH REGULATOR MECHANISM

Fig. No.	Part No.	Description	M	H	B	Remarks
D01	HA700C2060	Connecting rod stud	1	1	1	
D02	H8805G8001	Feed regulating link	1	1	1	
D03	HA111G0683	Screw	1	1	1	
D04	HG605E8001	Feed regulating link	1			
D04	HG705E8001	Feed regulating link		1	1	
D05	HA104F0654	Screw	1	1	1	
D06	H2000H2020	Screw	1	1	1	
D07	HB2266B081	Bushing	1	1	1	
D08	HB2254G081	Set pin	1	1	1	
D09	HA700B2120	Rubber plug	1	1	1	
D10	HA109F0674	O-ring	1	1	1	
D11	HA720F0681	Screw bar	1	1	1	
D12	HA100F2090	Spring	1	1	1	
D13	HA700F2030	Pin	1	1	1	
D14	HA720F0687	Coil spring	1	1	1	
D15	HA720F0683	Releasing lever	1	1	1	
D16	HA7421F120	Dial for stitch length regulator	1	1	1	
D17	HA720F0684	Stitch length indicating plate	1			
D17	HA806F0651	Stitch length indicating plate		1	1	
D18	HA720F0685	Bushing	1	1	1	
D19	HA720F0686	Screw	1	1	1	
D20	H431050060	Screw	2	2	2	
D22	HG50G68001	Reverse stitching lever block	1	1	1	
D23	HB2258G081	Spanner	1	1	1	
D24	H4939L8001	Spring	1	1	1	
D25	HB2260G081	Shaft	1	1	1	
D26	HG50G87101	Reverse crank	1	1	1	
D27	H3200F2020	Screw	1	1	1	
D28	H4937L8001	Screw	1	1	1	
D29	H4938L8001	Rubber band	1	1	1	
D30	H8830B8001	Bushing	1	1	1	
D31	H8806G7101	Screw bar assy.	1	1	1	
D32	H8810G8001	Shaft	1	1	1	
D33	HA307C0662	Screw	2	2	2	
D34	H6712G8001	Collar	1	1	1	
D35	H6749B8001	Oil seal	1	1	1	
D36	H6718B8001	Bushing	1	1	1	
D37	H9110E8001	Crank	1	1	1	
D38	HA7311C806	Screw	1	1	1	
D39	HA7651B319	Screw	1	1	1	
D40	H6711E8001	Link	1	1	1	
D41	H6710E8001	Connecting stud	2	2	2	
D42	H6721E8001	O-ring	1	1	1	
D43	H8809E8001	Feed regulator shaft	1	1	1	

D.STITCH REGULATOR MECHANISM

Fig. No.	Part No.	Description	M	H	B	Remarks
D44	H3230K0751	Screw	2	2	2	
D45	H6708E8001	Stitch length adjusting crank	1	1	1	
D46	HA7311CE06	Link stud	1	1	1	
D47	HA7311CD06	Screw	2	2	2	
D48	H6713E8001	Feed regulator shaft	1	1	1	
D49	H6723E8001	Coil spring	1	1	1	
D50	H6710E8001	Eccentric shaft	1	1	1	
D51	HA100H2080	Pin	1	1	1	
D52	H9108G8001	Spring	1	1	1	
D53	H8841B8001	Thrust collar	1	1	1	
D54	H431050050	Screw	2	2	2	
D55	H8838B8001	Bell-crank	1	1	1	
D56	H8839B8001	Bell-crank shaft	1	1	1	
D57	H8835B7101	Solenoid	1	1	1	
D58	HA104F0654	Screw	2	2	2	
D59	HA700P0010	Washer	3	3	3	
D60	H6712G8001	Collar	1	1	1	
D61	HA307C0662	Screw	2	2	2	

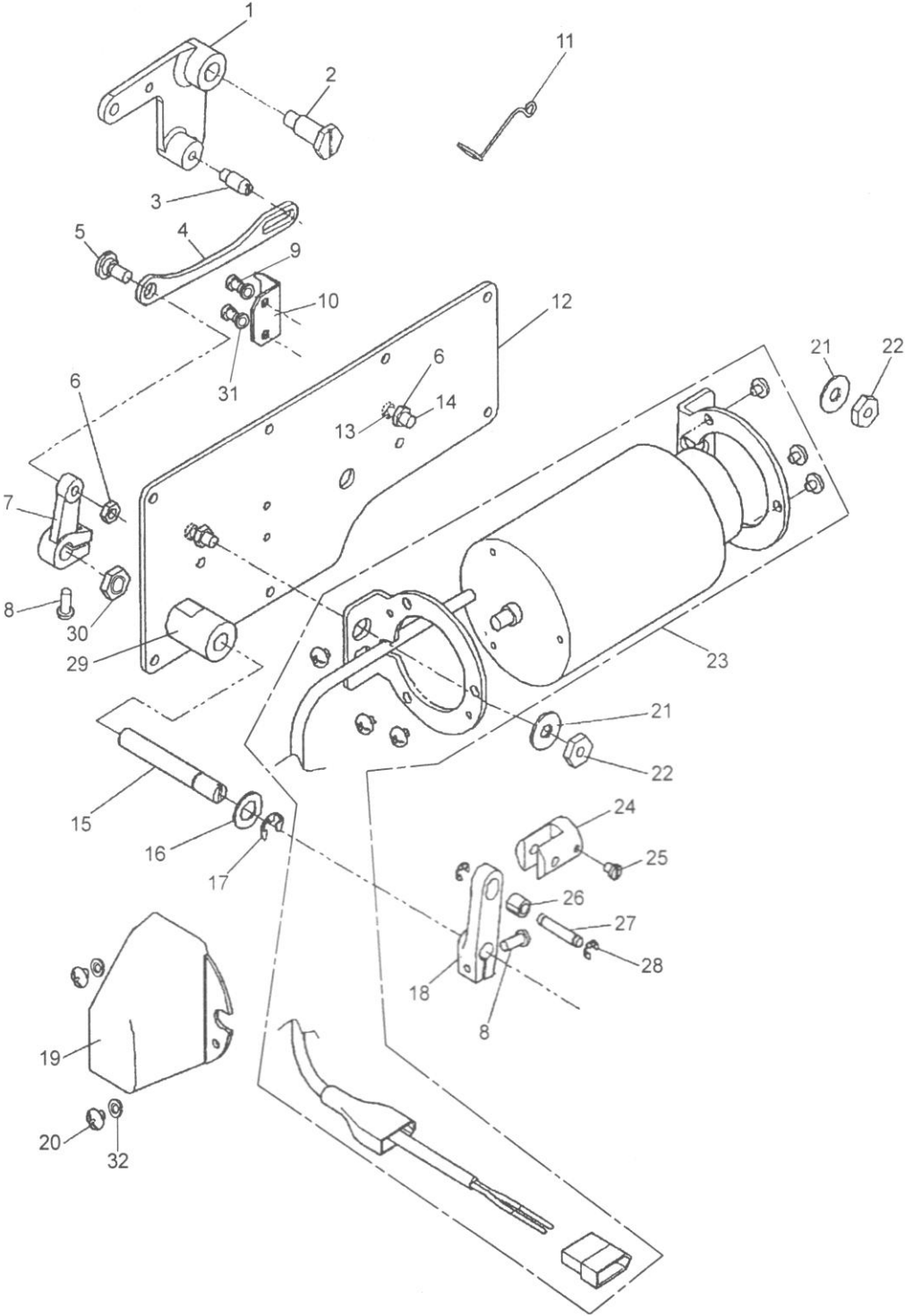
E.PRESSER FOOT MECHANISM



E.PRESSER FOOT MECHANISM

Fig. No.	Part No.	Description	M	H	B	Remarks
E01	HA300B2170	Screw	1	1	1	
E02	H1204F0651	Presser bar lifter lever	1	1	1	
E03	HA300H2080	O-ring	1	1	1	
E04	H6728J8001	Presser bar lifter cam	1	1	1	
E05	H6708J7101	Knee lifter lever(left)	1	1	1	
E06	HA107H0662	Screw	2	2	2	
E07	H8806J8001	Knee lifter rod	1	1	1	
E08	HA100H2050	Screw	1	1	1	
E09	H6720J8001	knee lifter lever(right)	1	1	1	
E10	H6721J8001	Screw bar	1	1	1	
E11	HA706N0663	Nut	1	1	1	
E12	H6722J8001	Spring for knee lifter lever	1	1	1	
E13	HA100H2080	Pin	1	1	1	
E14	HG50J88001	Knee lifter connecting rod	1	1	1	
E15	H6724J8001	Knee lifter connecting rod guide	1	1	1	
E16	HA300C2030	Screw	2	2	2	
E17	H6717J8001	Screw	1	1	1	
E18	H6729J8001	Spring	1	1	1	
E19	H007013060	E-type stop ring	2	2	2	
E20	H6713J7101	Tension release lever assy.	1	1	1	
E21	H007013040	E-type stop ring	1	1	1	
E22	H6711J8001	Pull up plate	1	1	1	
E23	H6732J8001	Tension release pin spring	1	1	1	
E24	H007013030	E-type stop ring	1	1	1	
E25	H6727J8001	Tension release pin	1	1	1	
E26	H6725J8001	Tension releaser	1	1	1	
E27	H6730J8001	Spring	1	1	1	
E28	H6726J8001	Screw	1	1	1	
E29	HA309H0681	Thumb screw	1	1	1	
E30	HA117H0692	Nut	1	1	1	
E31	H6733J8001	Spring guide	1	1	1	
E32	HA500H2010	Presser spring	1	1	1	
E33	H6705J8001	Presser bar guide bracket	1	1	1	
E34	H6706J8001	Bracket plate	1	1	1	
E35	HA7311C606	Screw	1	1	1	
E36	HA7311CH06	Screw	1	1	1	
E37	H6707J8001	Upper thread guide	1	1	1	
E38	H8812B8001	Bushing	1	1	1	
E39	H8804J8001	Presser bar	1	1	1	
E40	HA100H2150	Screw	1	1	1	
E41	HA310H0069	Presser foot	1			
E41	HA505H0065	Presser foot		1		
E41	HA604H0065	Presser foot			1	

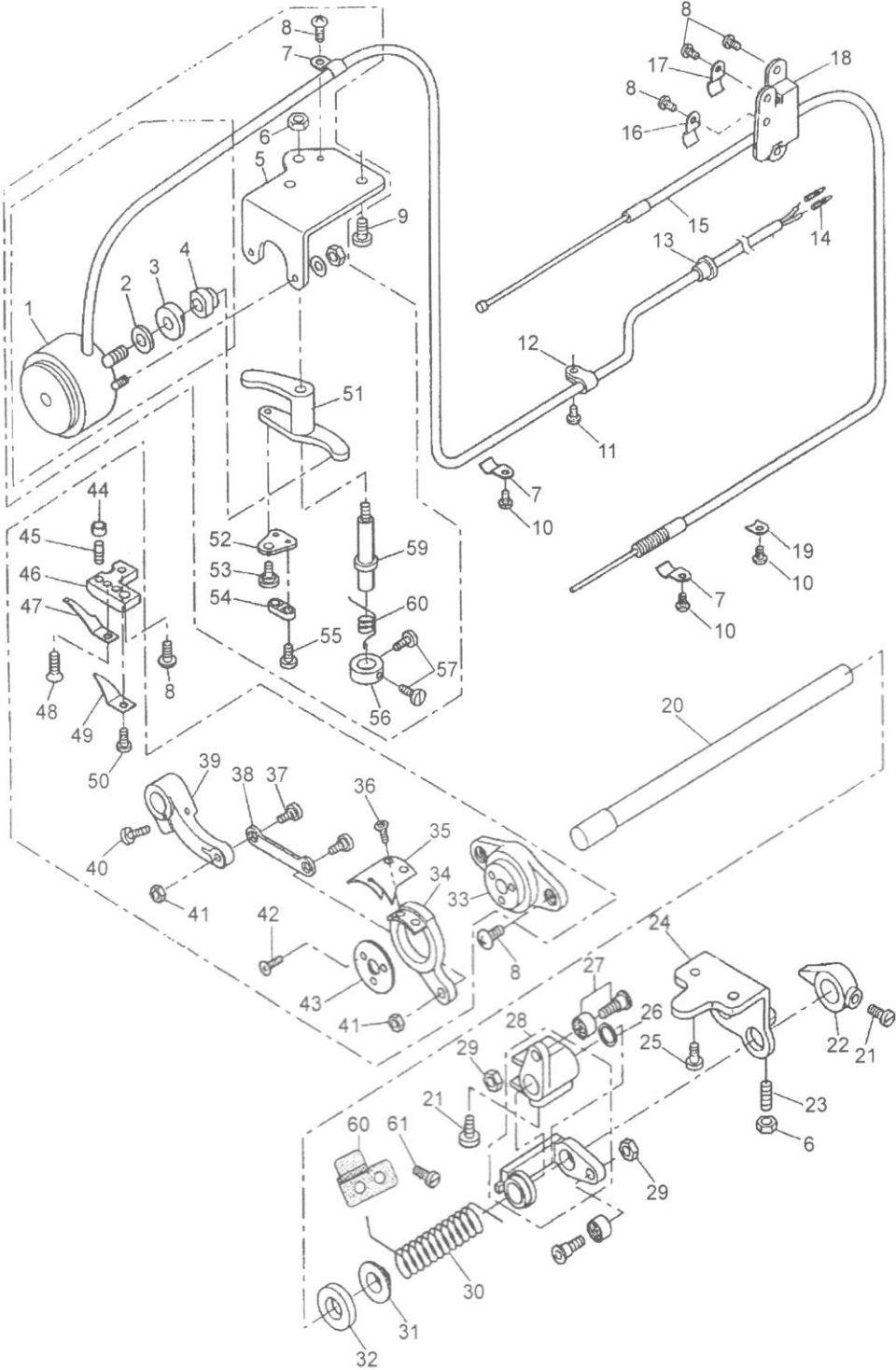
F.PRESSER FOOT MECHANISM



F.PRESSER FOOT MECHANISM

Fig. No.	Part No.	Description	M	H	B	Remarks
F01	H8808J7102	Knee lifter lever assy.(right)	1	1	1	
F02	HB2259J081	Stud bolt	1	1	1	
F03	HB2263J081	Pin	1	1	1	
F04	HB2257J081	Link	1	1	1	
F05	HB2266J081	Hinged screw	1	1	1	
F06	H5344B8001	Nut	3	3	3	
F07	HB2264J081	Arm	1	1	1	
F08	HA104G0012	Screw	2	2	2	
F09	H5332B8001	Screw	2	2	2	
F10	HB2258J081	Guide plate	1	1	1	
F11	HB2276J081	Screw	1	1	1	
F12	HG50J68001	Slide cover	1	1	1	
F13	HB2275J081	Washer	2	2	2	
F14	H6736K8001	Screw	2	2	2	
F15	HB2265J081	Shaft	1	1	1	
F16	H7353G8001	Washer	1	1	1	
F17	H007013060	E-type stop ring	1	1	1	
F18	HB2253J081	Arm	1	1	1	
F19	HB2272J081	Cover	1	1	1	
F20	H409040060	Screw	2	2	2	
F21	HB2274J081	Washer	2	2	2	
F22	HB2273J081	Nut	2	2	2	
F23	HB2256J072	Solenoid	1	1	1	
F24	HB2255J081	Collar	1	1	1	
F25	HA300C2030	Screw	1	1	1	
F26	HB2270J081	Roller	1	1	1	
F27	HB2254J081	Pin	1	1	1	
F28	H007013035	E-type stop ring	2	2	2	
F29	HB2269J081	Bushing	1	1	1	
F30	H003021160	Nut	1	1	1	
F31	HB2267J081	Washer	2	2	2	
F32	H005008040	Washer	2	2	2	

G.THREAD TRIMMER MECHANISM



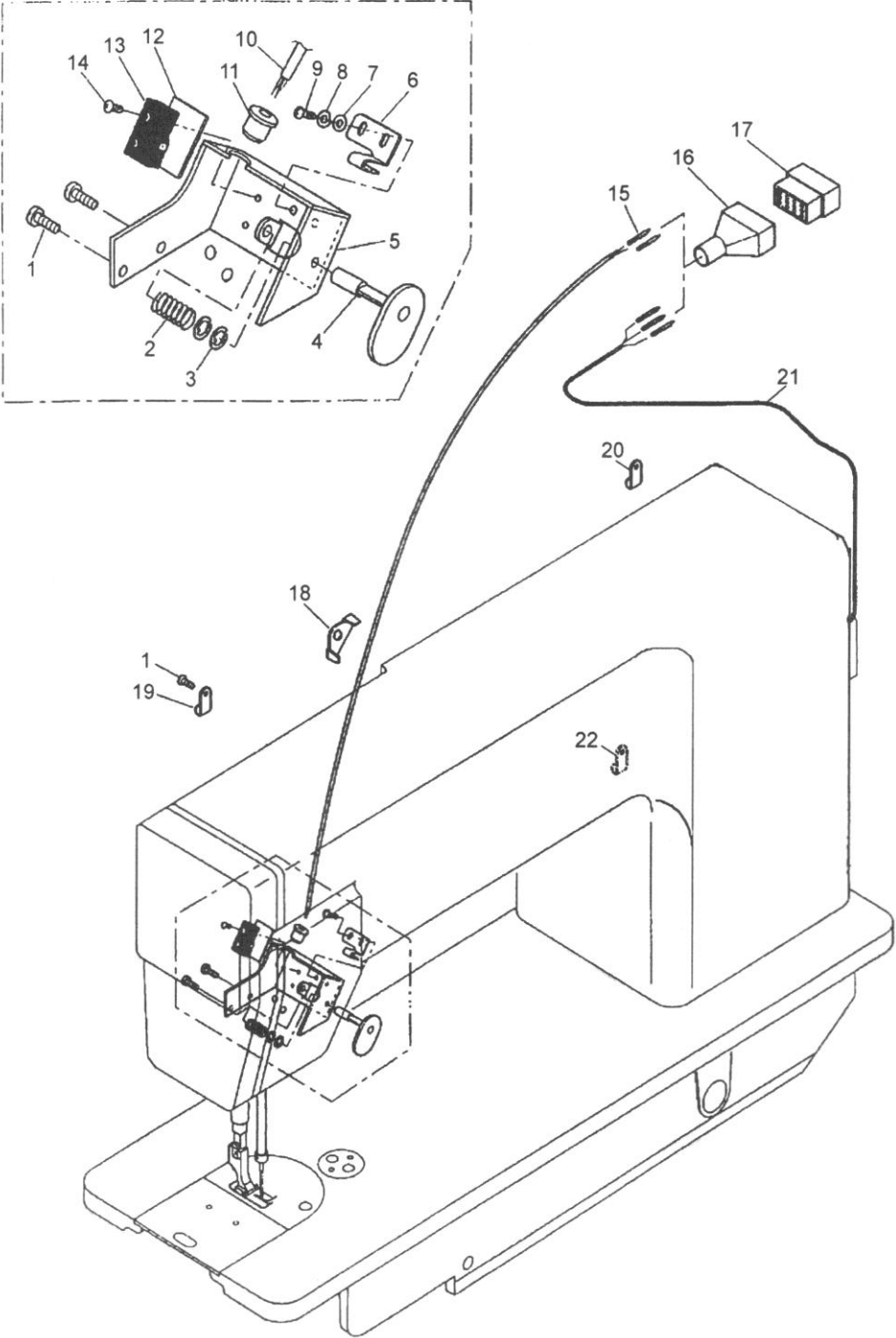
G.THREAD TRIMMER MECHANISM

Fig. No.	Part No.	Description	M	H	B	Remarks
G01	H8811K7201	Solenoid	1	1	1	
G02	H6718K8001	Washer	1	1	1	
G03	H6719K8001	Nut	1	1	1	
G04	H6720K8001	Nut	1	1	1	
G05	H6715K8001	Solenoid bracket	1	1	1	
G06	HA710N0683	Nut	2	2	2	
G07	H6732K8001	Holder	3	3	3	
G08	HA300C2030	Screw	8	8	8	
G09	HA700N0080	Screw	2	2	2	
G10	H2000O0360	Screw	3	3	3	
G11	HA300B2170	Screw	1	1	1	
G12	H6727N8001	Cord holder	1	1	1	
G13	HA704O0657	Rubber plug	2	2	2	
G14	HA7641B319	Terminal pin	2	2	2	
G15	H8814K8001	Flexible wire	1	1	1	
G16	H6729K8001	Holder	1	1	1	
G17	H32311D606	Holder	1	1	1	
G18	H6731K8001	Wire holder bracket	1	1	1	
G19	H6733K8001	Washer	1	1	1	
G20	H8805K8001	Shaft	1	1		
G20	HM205K8001	Shaft			1	
G21	HA113F0684	Screw	3	3	3	
G22	H6713K8001	Stopper lever	1	1	1	
G23	H6735K8001	Screw	1	1	1	
G24	H6711K8001	Bracket plate	1	1	1	
G25	H6736K8001	Screw	2	2	2	
G26	HA706N0664	Washer	1	1	1	
G27	HA706N1021	Shoulder screw assy.	2	2	2	
G28	HA706N1011	Cam follower crank assy.	1	1	1	
G29	HA706N0663	Nut	2	2	2	
G30	H6737K8001	Spring	1	1	1	
G31	HA700N0050	Bushing	1	1	1	
G32	H8807K8001	Spacer	1	1	1	
G33	H6707K8001	Knife holding bracket saddle	1	1	1	
G34	H6708K8001	Knife base(left)	1	1		
G34	H8307K8001	Knife base(left)			1	
G35	HA7111N804	Movable Knife(left)	1	1		
G35	HA9111N204	Movable Knife(left)			1	
G36	HA7111N704	Screw	2	2	2	
G37	HA7111N204	Screw	2	2	2	
G38	HA7111N404	Link	1	1	1	
G39	H9106K8001	Knife driving crank	1	1	1	
G40	HA716F0662	Screw	1	1	1	
G41	HA7111N304	Nut	2	2	2	

G.THREAD TRIMMER MECHANISM

Fig. No.	Part No.	Description	M	H	B	Remarks
G42	HA704N1114	Screw	3	3	3	
G43	H6738K8001	Thrust collar	1	1	1	
G44	HA7121N704	Nut	1	1	1	
G45	HA7121N604	Screw	1	1	1	
G46	HA7121N104	Bracket for fixed blade	1	1	1	
G47	HA7121N204	Fixed blade	1	1		
G47	HA9121N104	Fixed blade			1	
G48	HA7121N304	Screw	1	1	1	
G49	HA7121N404	Thread finger	1	1		
G49	HA9121N204	Thread finger			1	
G50	HA7311CH06	Screw	1	1	1	
G51	H6721K8001	Thread trimmer driving lever	1	1	1	
G52	HA712N6910	Flexible wire holder	1	1	1	
G53	HA712N0699	Screw	1	1	1	
G54	HA712N6911	Flexible wire presser	1	1	1	
G55	HA712N6912	Screw	2	2	2	
G56	HA712N0696	Spring support collar	1	1	1	
G57	HA7311CC06	Screw	2	2	2	
G58	HA712N0697	Trimming lever spring	1	1	1	
G59	H6722K8001	Stud bolt	1	1	1	
G60	H8842B8001	Spring bracket	1	1	1	
G61	HA300B2160	Screw	2	2	2	

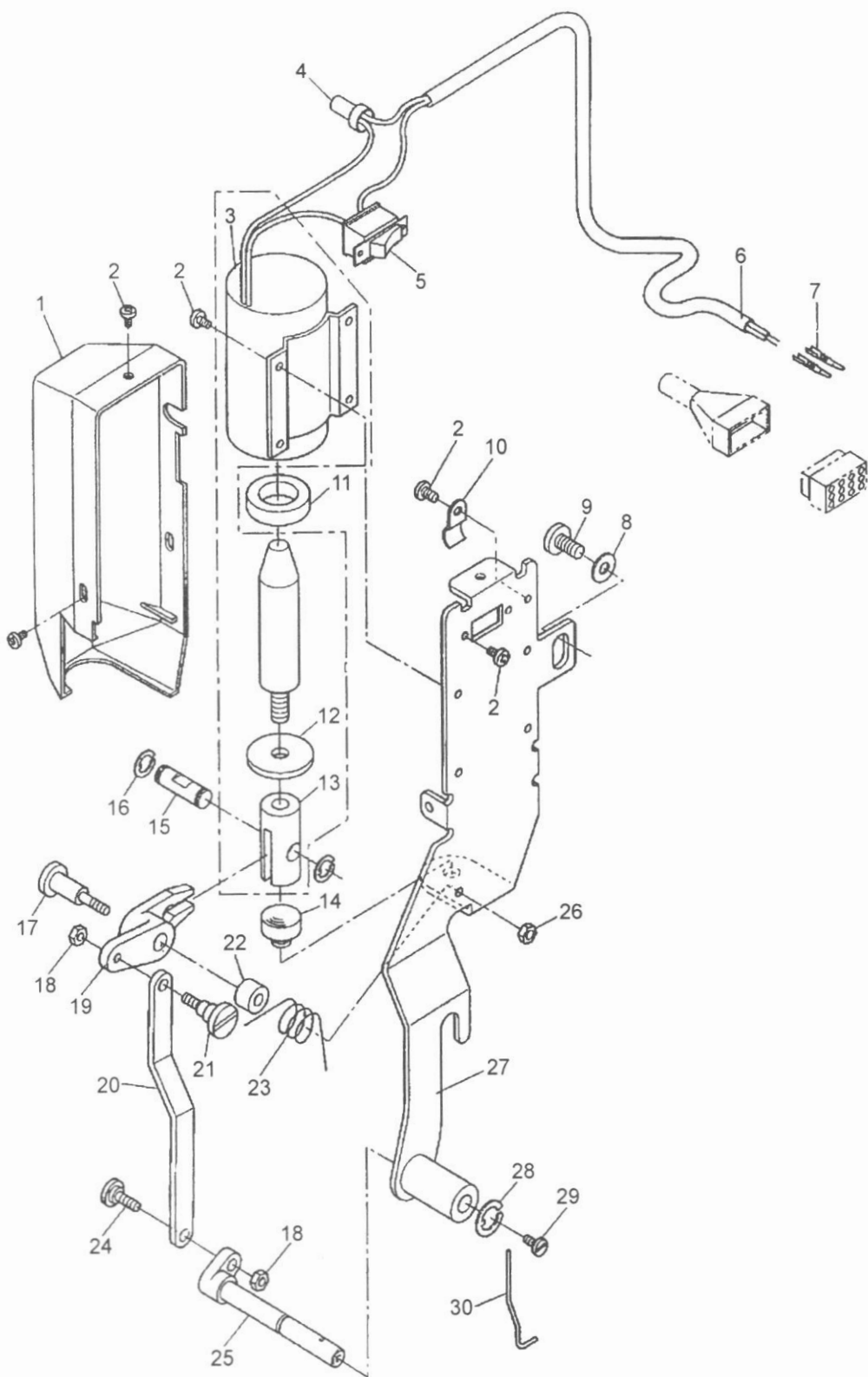
H.TOUCH BACK MECHANISM & DETECTOR MECHANISM



H.TOUCH BACK AND DETECTOR MECHANISM

Fig. No.	Part No.	Description	M	H	B	Remarks
H01	HA300B2170	Screw	3	3	3	
H02	HA704O0653	Coil spring	1	1	1	
H03	H007013030	E-type stop ring	2	2	2	
H04	HA704O0021	Push button	1	1	1	
H05	HB2252L081	Bracket for touch switch	1	1	1	
H06	HA704O0654	Plate spring	1	1	1	
H07	HA704O6512	Washer	2	2	2	
H08	HA704O6511	Washer	2	2	2	
H09	HA704O0659	Screw	2	2	2	
H10	H8805L7101	Cord assy.	1	1	1	
H11	HA704O0657	Rubber plug	1	1	1	
H12	HA704O0658	Insulator seat	1	1	1	
H13	HA704O0655	Screw	1	1	1	
H14	HA704O6510	Screw	2	2	2	
H15	HA7641B319	Terminal pin	5	5	5	
H16	H8808N8001	Connector cap	1	1	1	
H17	HA700Q0010	Nylon connector 12-pole	1	1	1	
H18	H6726N8001	Cord holder	1	1	1	
H19	H6729N8001	Cord holder	1	1	1	
H20	H6648I8001	Cord holder	1	1	1	
H21	H8804N7101	Cord assy.	1	1	1	
H22	HD44JM8001	Cord holder	1	1	1	

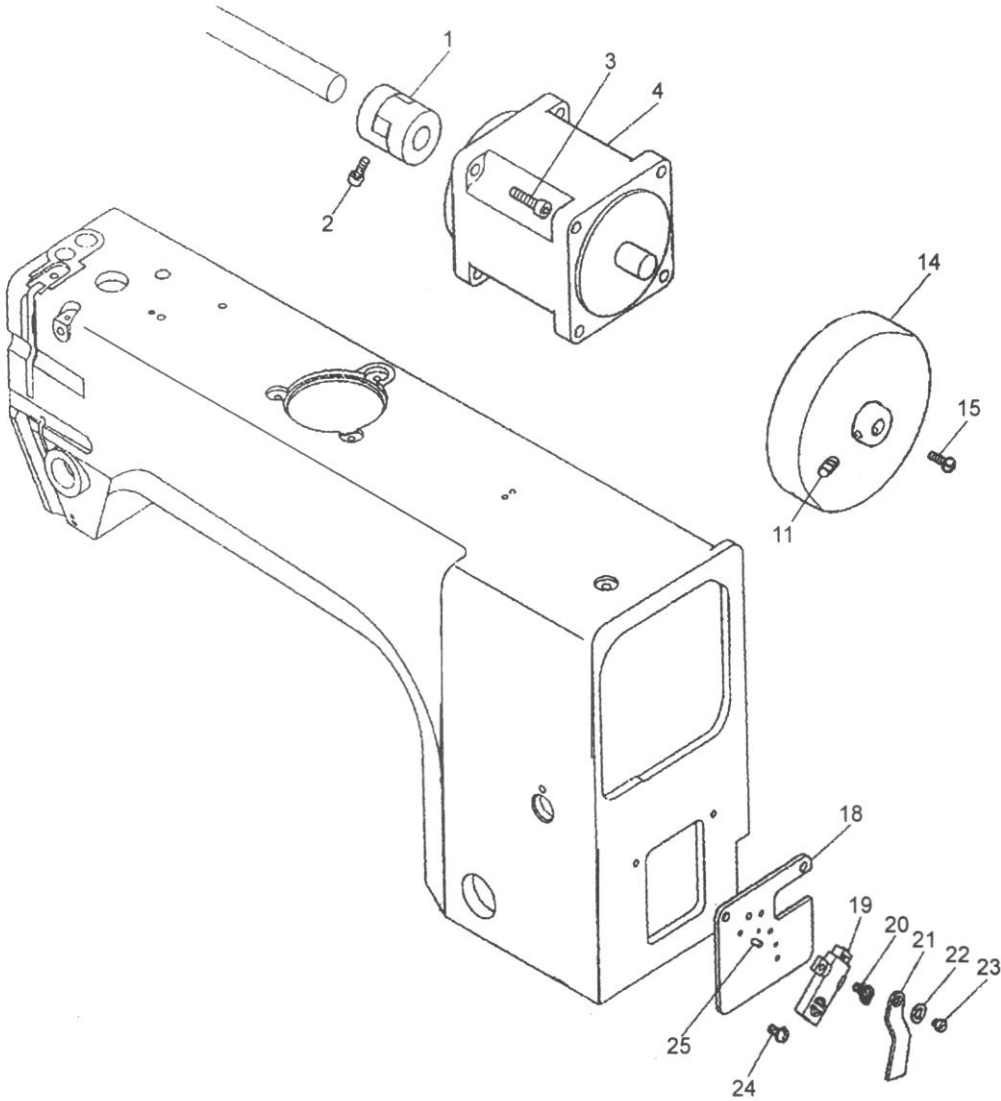
I.WIPER MECHANISM



I. WIPER MECHANISM

Fig. No.	Part No.	Description	M	H	B	Remarks
I01	H6708M8001	Solenoid cover	1	1		
I02	HA708P0669	Screw	10	10		
I03	H6711M8001	Wiper Solenoid	1	1		
I04	HA708P6610	Connecting	1	1		
I05	HA708P0665	Thread wiper switch	1	1		
I06	H8808M7101	Cord assy.	1	1		
I07	HA7641B319	Terminal pin	2	2		
I08	HA700P0010	Washer	2	2		
I09	HA104F0654	Screw	2	2		
I10	HA700P0060	Code holder	1	1		
I11	H6713M8001	Rubber cushion	1	1		
I12	H6722M8001	Washer	1	1		
I13	H6712M8001	Connector	1	1		
I14	H007013040	E-type stop ring	2	2		
I15	H6714M8001	Pin	1	1		
I16	H6709M8001	Rubber cushion	1	1		
I17	H6715M8001	Screw	1	1		
I18	HA710P0673	Nut	2	2		
I19	H6716M8001	Wiper driving lever	1	1		
I20	H8804M8001	Link	1	1		
I21	H6719M8001	Screw	1	1		
I22	H6717M8001	Spacer	1	1		
I23	H6718M8001	Spring	1	1		
I24	HA710P0674	Screw	1	1		
I25	H6721M8001	Wiper shaft	1	1		
I26	HA7111N304	Nut	1	1		
I27	H8807M7101	Thread wiper bracket	1	1		
I28	H007013050	E-type stop ring	1	1		
I29	HA104G0654	Screw	1	1		
I30	HA705P0653	Thread wiper	1	1		

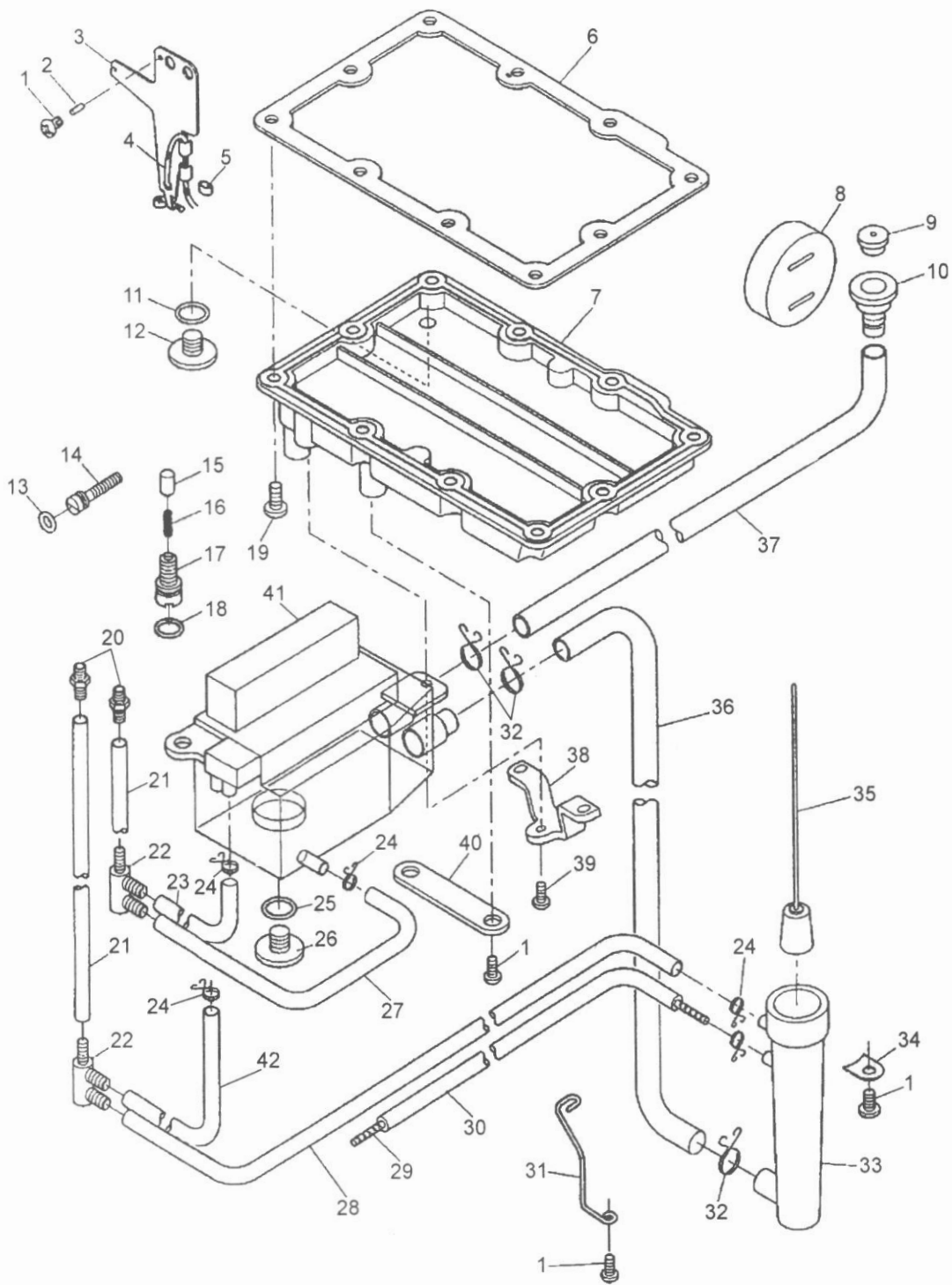
J.MOTOR MECHANISM



J.MOTOR MECHANISM

Fig. No.	Part No.	Description	M	H	B	Remarks
J01	HB2252C072	Coupling	1	1	1	GB/T 70.1 M6×20
J02	H415030120	Screw	2	2	2	
J03	H8829O8001	Screw	4	4	4	
J04	HG51048002	Motor	1	1	1	
J11	H8831O8001	Screw	2	2	2	
J14	H8807O8002	Pulley	1	1	1	
J15	HZ11040100	Screw	1	1	1	
J18	HG51B18001	Plate for guide	1	1	1	
J19	H8819B8001	Sensor	1	1	1	
J20	HZ11030080	Screw	2	2	2	
J21	H8818B8001	Switch plate	1	1	1	
J22	HA104G0656	Washer	1	1	1	
J23	HA107H0662	Screw	1	1	1	
J24	HA300B2170	Screw	2	2	2	
J25	H609030080	Spring pin	2	2	2	

K.OIL LUBRICATION MECHANISM



K.OIL LUBRICATION MECHANISM

Fig. No.	Part No.	Description	M	H	B	Remarks
K01	HA300C2030	Screw	5	5	5	
K02	H609020080	Spring pin	1	1	1	
K03	H6711P8001	Oil wick holder	1	1	1	
K04	H6729P8002	Oil wick	1	1	1	
K05	H3200G2030	Holder	1	1	1	
K06	H6741B8001	Gasket for bottom cover	1	1	1	
K07	H6740B8001	Bottom cover	1	1	1	
K08	H6722P8001	Oil sight window	1	1	1	
K09	H6712P8001	Oil cap	1	1	1	
K10	H6709P8001	Oil inlet	1	1	1	
K11	H6757B8001	O-ring	1	1	1	
K12	H6707P8001	Screw	1	1	1	
K13	H6725P8001	O-ring	1	1	1	
K14	H6705P8001	Screw	1	1	1	
K15	H6734P8001	Plunger	1	1	1	
K16	H6726P8001	Spring	1	1	1	
K17	H6704P8001	Screw	1	1	1	
K18	HA705C0662	O-ring	1	1	1	
K19	HA100I2090	Screw	10	10	10	
K20	H6708P8001	Oil pipe connector	2	2	2	
K21	H8807P8001	Oil pipe	2	2	2	
K22	H6715P8001	Oil pipe connector	2	2	2	
K23	H8807P8008	Oil pipe	1	1	1	
K24	H6714P8001	Pipe holder	5	5	5	
K25	H6757B8001	O-ring	1	1	1	
K26	H6707P8001	Screw	1	1	1	
K27	H8807P8006	Oil pipe	1	1	1	
K28	H8807P8004	Oil pipe	1	1	1	
K29	H8809P8001	Oil wick	1	1	1	
K30	H8807P8005	Oil pipe	1	1	1	
K31	H8806P8001	Pipe holder	1	1	1	
K32	H6714P8002	Pipe holder	3	3	3	
K33	H6718P8001	Floater case	1	1	1	
K34	H6733K8001	Washer	2	2	2	
K35	H6719P7101	Floater assy.	1	1	1	
K36	H8808P8002	Oil pipe	1	1	1	
K37	H8808P8001	Oil pipe	1	1	1	
K38	H8805P8001	Cover	1	1	1	
K39	HA300B2170	Screw	2	2	2	
K40	H8843B8001	Cover	1	1	1	
K41	H6713P8001	Oil tank	1	1	1	
K42	H8807P8009	Oil pipe	1	1	1	