

WYKAZ CZĘŚCI
DO OVERLOCKA HIGHLEAD
MODEL
GC188-M-D

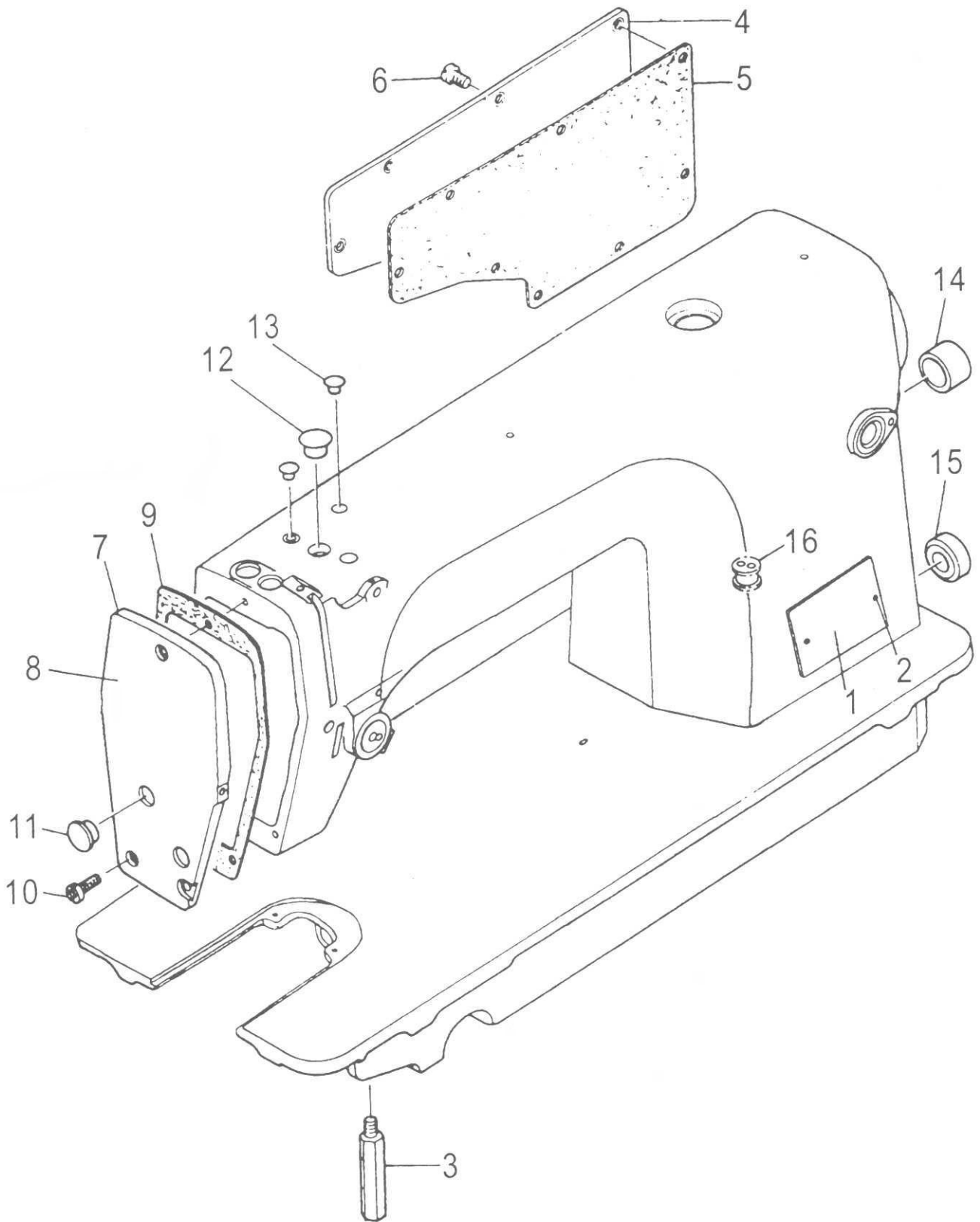
GC188-M-D型 (中厚料用)

Model GC188-M-D (For Medium heavy Material)

1、机壳分组件

1. Arm bed components

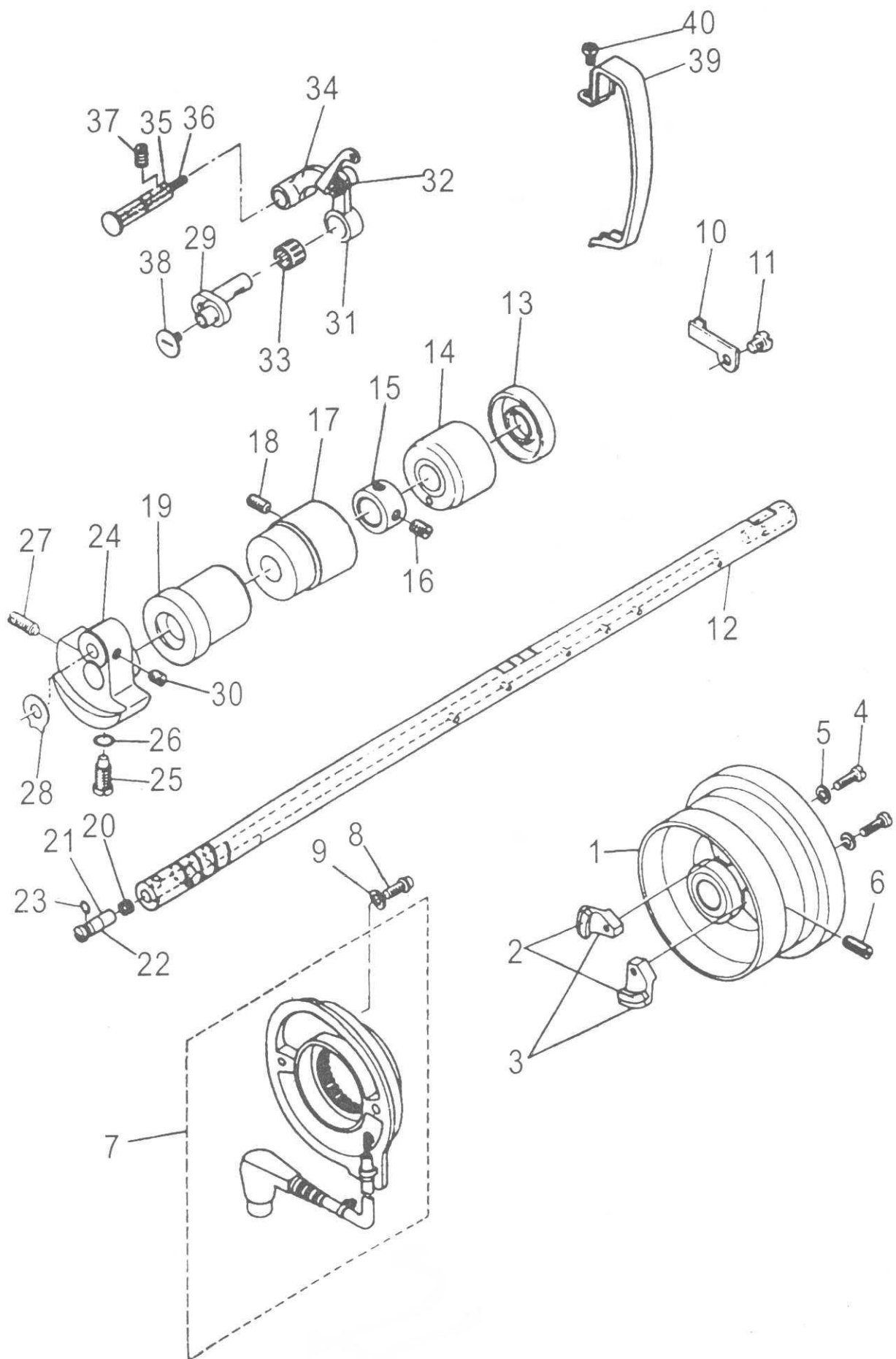
序号	件号	名 称	Description	数量
Ref.No.	Part No.			Amt.
1	GQ228	型号牌	Model plate	1
2	GX565	型号牌铆钉	Model plate rivet	2
3	GS0548	底板支柱	Bed screw stud	4
4	GK239	后窗板	Side plate	1
5	GR3340	后窗板垫	Gasket	1
6	GS053	后窗板螺钉12/64-28 L=9	Screw 12/64-28 L=9	8
7	GR5685	面板	Face plate arm	1
8	GQ277	面板装饰板	Decorative Plate	1
9	GR5686	面板垫	Gasket	1
10	GS053	面板螺钉12/64-28 L=9	Screw 12/64-28 L=9	3
11	GR1458	面板调节螺孔塞	Rubber plug	2
12	GR1463	针杆曲柄螺孔塞	Rubber plug	1
13	GR3344	挑线连杆销螺孔塞	Rubber plug	2
14	GR3345	送料调节器孔塞	Rubber plug	1
15	GR1464	下轴盲孔塞	Rubber plug	1
16	GR2045	电线过线圈	Rubber bushing	1



2、上轴、挑线分组件

2.Main shaft & thread take-up components

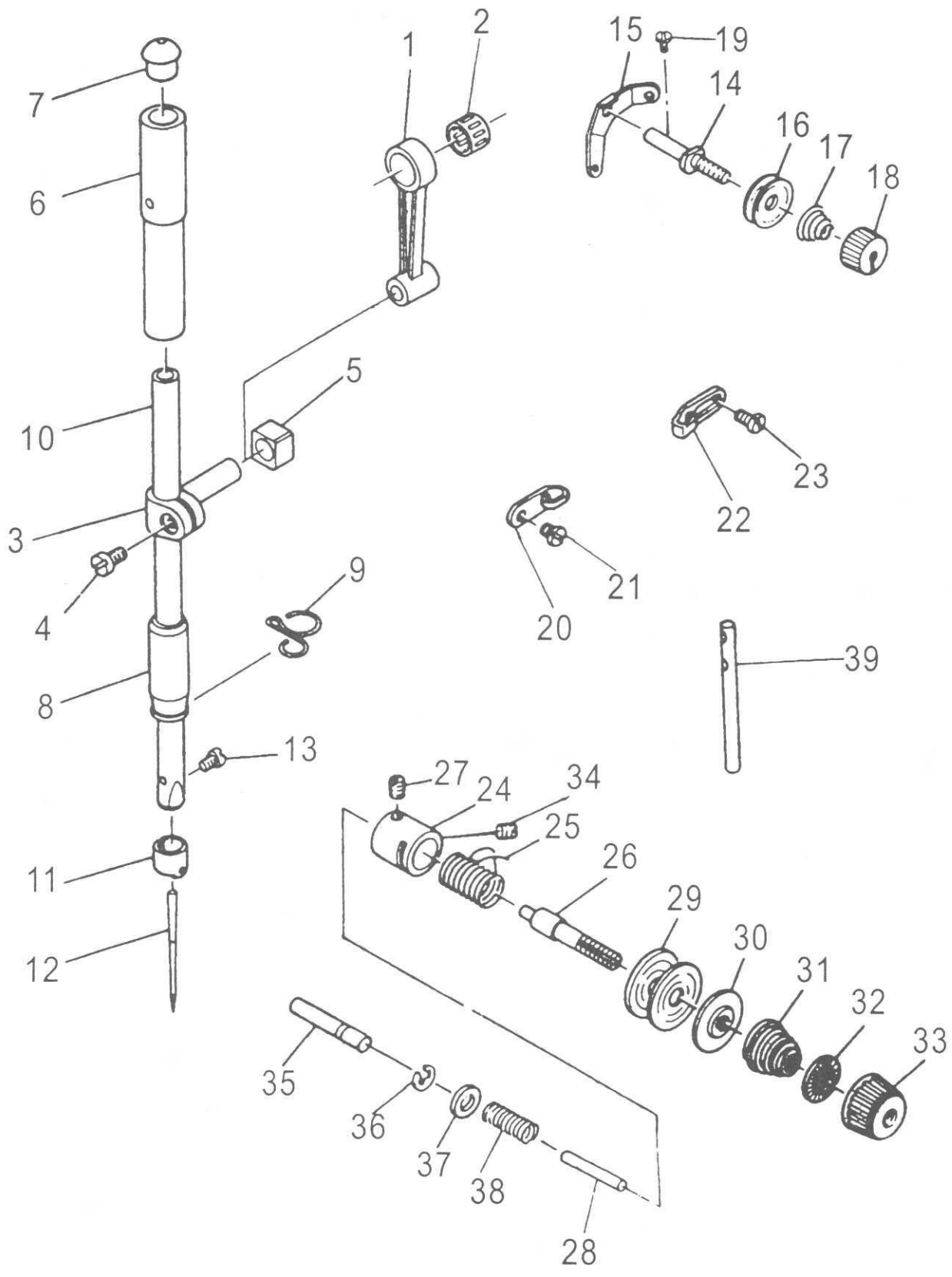
序号	件号	名 称	Description	数量
Ref.No.	Part No.			Amt.
1	GP144	上轮	Hand wheel	1
2	GD302	磁钢	Magnet	2
3	GR2406	磁钢支承架	Magnet Support	2
4	GS0219	支承架螺钉11/64-40 L=12	Screw 11/64-40 L=12	2
5	GR2407	螺钉垫圈	Washer	2
6	GS03	上轮螺钉15/64-28 L=15	Screw 15/64-28 L=15	2
7	GD303/2	上轴传感器部件	Dynamo Stator	1
8	GS0220	上轴传感器安装螺钉	Screw	2
9	GR2409	安装螺钉垫圈	Washer	2
10	GR2410	电线安装导架	Cable holder	1
11	GS0551	电线安装导架螺钉3/16-28 L=6	Screw 3/16-28 L=6	1
12	GZ431	上轴	Main shaft	1
13	GR3346	上轴油封	Oil seal	1
14	GO462	上轴后轴套	Main shaft bushing, rear	1
15	GR1469	上轴挡圈	Thrust collar asm.	1
16	GS39	上轴挡圈螺钉1/4-40 L=6	Screw 1/4-40 L=6	1
17	GO463	上轴中轴套	Bushing, intermediate	1
18	GS0549	上轴中轴套螺钉15/64-28 L=9	Screw 15/64-28 L=9	1
19	GO464	上轴前轴套	Main shaft bushing, front	1
20	GR1470	曲柄油量限制毡	Roller felt	1
21	GX334	曲柄油量调节销	Oil ammount adjusting pin asm.	1
22	GO269	曲柄油量调节销套	Rubber pusing	1
23	GR1471	曲柄油量调节销O形圈	Rubber ring	1
24	GH561	针杆曲柄	Counterweight	1
25	GS06	针杆曲柄定位螺钉1/4-40 L=6	Screw 1/4-40 L=6	1
26	GR1472	定位螺钉O形圈	Rubber ring	1
27	GS0550	针杆曲柄紧固螺钉9/32-28 L=16	Screw 9/3228 L=16	1
28	GR1473	针杆曲柄护板	Counterweight protecting plate	1
29	GH563	挑线曲柄	Needle bar crank	1
30	GS39	挑线曲柄定位螺钉1/4-40 L=6	Screw 1/4-40 L=6	2
31	GH564/4	挑线杆分部件	Thread take-up lever asm.	1
32	GR3349	挑线杆防油套	Rubber	1
33	GO270	挑线杆滚针轴承	Needle bearing	1
34	GH566	挑线连杆	Thread take-up crank	1
35	GX566	挑线连杆销	Thread take-up crank shaft	1
36	GR3350	挑线连杆销油线	Oiling wick	1
37	GS04	挑线连杆销螺钉15/64-28 L=10.5	Screw 15/64-28 L=10.5	1
38	GS09	挑线曲柄左旋螺钉9/64-40 L=4.8	Screw (left tiwist) 9/64-40 L=4.8 ...	1
39	GK240	挑线杆护罩	Thread take-up lever cover	1
40	GS0551	挑线杆护罩螺钉3/16-28 L=6	Screw 3/16-28 L=6	1



3、针杆、夹线分组件

3.Needle bar & thread tension components

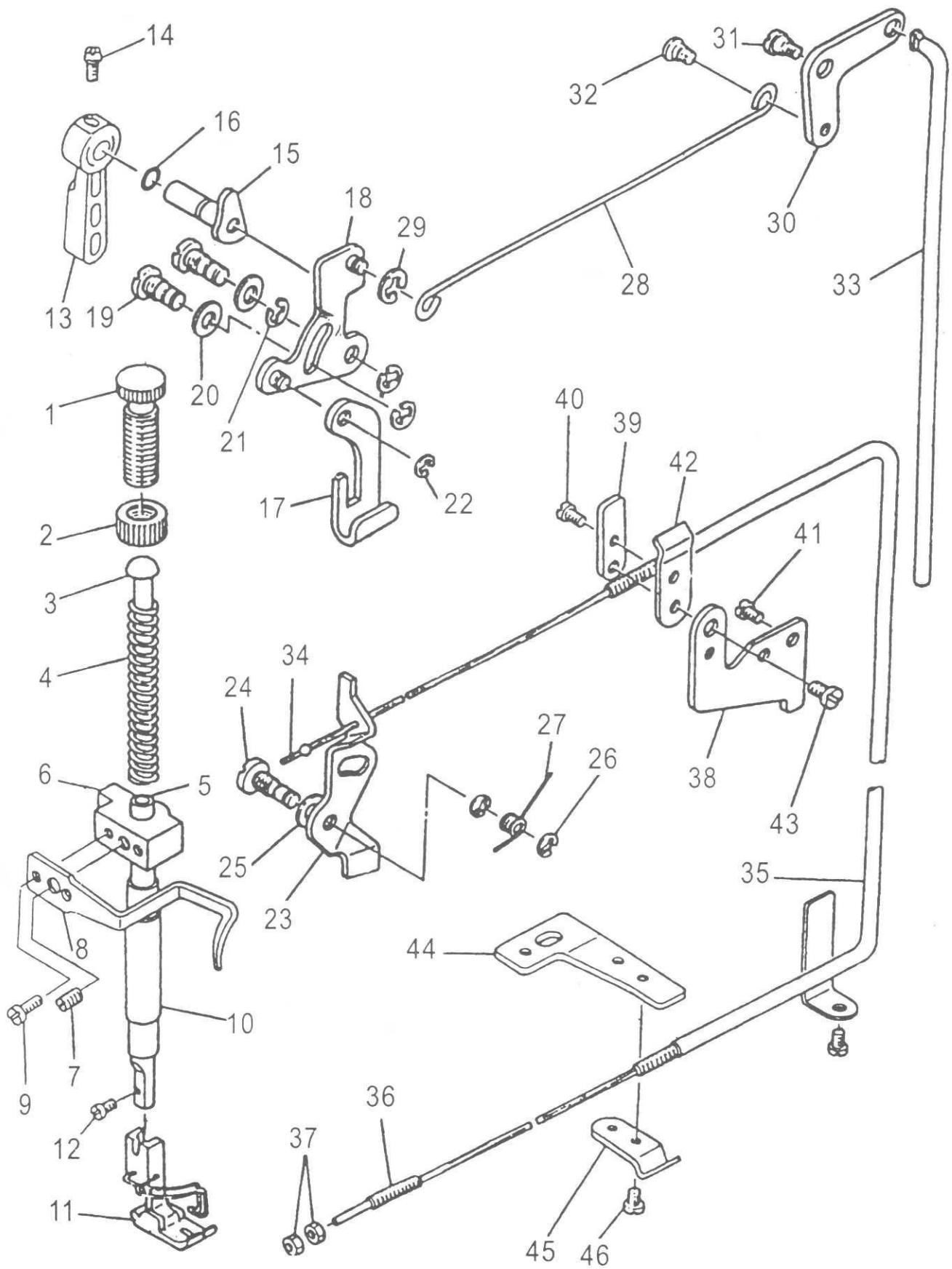
序号	件号	名称	Description	数量
Ref.No.	Part No.			Amt.
1	GH334	针杆连杆	Needle bar carnk rod	1
2	GO270	针杆连杆滚针轴承	Needle bearingt	1
3	GR1478	针杆连接柱	Needle bar connection asm	1
4	GS011	针杆连接柱螺钉9/64-40 L=6	Screw 9/64-40 L=6	1
5	GU168	针杆连接柱滑块	Slide block	1
6	GO271	针杆上衬套	Needle bar bushing, upper	1
7	GR1479	针杆上衬套孔塞	Cap	1
8	GO272	针杆下衬套	Needle bar bushing, Lower	1
9	GR3351	针杆下衬套线勾	Needle bar thread guide	1
10	GZ342/2	针杆部件	Needle bar asm.	1
11	GR2403	针杆线钩	Needle bar thread guide	1
12	GS071	支针螺钉1/8-44 L=4.5	Screw 1/8-44 L=4.5	1
13	GV15	机针(DB×1 14 [#])	Needle (Db×1 14 [#])	1
14	GS5053	上夹线螺钉	First tension post	1
15	GR2413	上过线板	Thread tension guide	1
16	GR1659	上夹线板	Bobbin winder tension disc	2
17	GW332	上夹线簧	Thread ension spring	1
18	GL47	上夹线螺母	Thread tension nut	1
19	GS0551	上夹线器安装螺钉	Screw	1
20	GR3354	右线钩	Frame thread guide, right	1
21	GS0552	右线钩螺钉11/64-40 L=6	Screw 11/64-40 L=6	1
22	GR3355	左线钩	Frame thread guide, left	1
23	GS0552	左线钩螺钉11/64-40 L=6	Screw 11/64-40 L=6	1
24	GR1635	挑线簧调节座	Tension post socket	1
25	GW250	挑线簧	Take-up spring	1
26	GS015	夹线螺钉	Screw	1
27	GS016	夹线螺钉紧固螺钉9/64-40 L=5.5	Set screw 9/64-40L=5.5	1
28	GX567	松线钉	Thread release pin	1
29	GR1488	夹线板	Tension disc	2
30	GR1489	松线板	Tension disc holder	1
31	GW251	夹线簧	Tension spring	1
32	GR1490	夹线制动板	Tension disc stopper	1
33	GL0133	夹线螺母	Tension nut	1
34	GS48	夹线器螺钉15/64-28 L=7	Screw 15/64-28 L=7	1
35	GX568	松线辅钉	Tension release supporting pin	1
36	GR1717	松线辅钉挡圈	Snap ring	1
37	GR3357	松线辅钉垫片	Washer plate	1
38	GW432	松线辅钉弹簧	Tension release pin spring	1
39	GR1664	过线柱	Needle thread guide pin	(1)



4、压料、松线分组件

4.Presser bar & tension release components

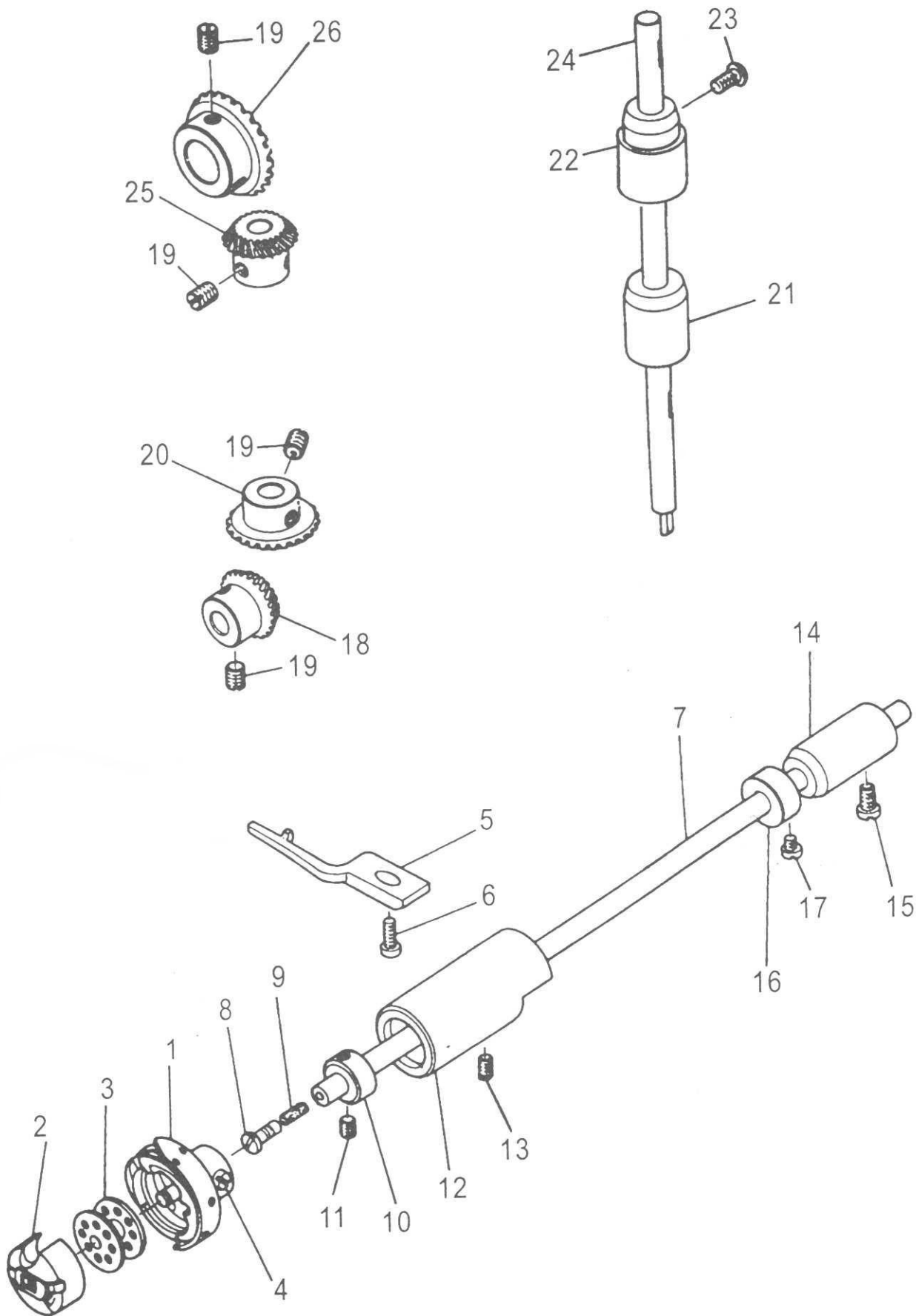
序号	件号	名 称	Description	数量
Ref.No.	Part No.			Amt
1	GS0553	调压螺钉	Presser spring regulator	1
2	GL0114	调压螺母1/2-28	Nut 1/2-28	1
3	GR1494	调压导杆	Presser guide bar	1
4	GW253	调压簧	Presser spring	1
5	GZ275	压杆	Presser bar	1
6	GR3358	压杆导架	Needle bar guide bracket	1
7	GS033	压杆导架螺钉1/4-40 L=8	Screw 1/4-40 L=8	1
8	GR3359	缓线调节钩	Presser bar thread guide	1
9	GS0100	缓线调节钩螺钉9/64-40 L=8.5	Screw 9/64-40 L=8.5	2
10	GO273	压杆衬套	Presser bar bushing, lower	1
11	GM214/5	活压脚部件	Presser foot asm.	1
12	GS020	活压脚螺钉9/64-40 L=10.5	Screw 9/64-40 L=10.5	1
13	GR3360	压脚扳手	Hand lifter	1
14	GS0554	压脚扳手螺钉9/64-40 L=9.5	Screw 9/64-40 L=9.5	1
15	GR3361/2	压脚扳手凸轮部件	Hand lifter cam asm.	1
16	GR1503	压脚扳手轴O形圈	Rubber ring	1
17	GR3363	压脚升降板	Lifting lever	1
18	GR3364/3	抬压脚前杠杆部件	Hand lifter link asm.	1
19	GS0161	前杠杆螺纹销	Link shaft	2
20	GR2035	螺纹销垫圈	Gasket	2
21	GR1510	螺纹销开口挡圈	Snap ring	3
22	GR3366	升降板连接特制开口挡圈	Lifting lever ring	1
23	GR3367	松线顶板	Tension release plate	1
24	GS0162	松线顶板螺纹销	Tension release shaft	1
25	GR2035	螺纹销垫圈	Gasket	1
26	GR1510	螺纹销开口挡圈	Snap ring	2
27	GW433	松线顶板复位簧	Tension release return spring	1
28	GR3368	抬压脚拉杆	Lifting lever connecting rod	1
29	GR1510	拉杆开口挡圈	Snap ring	1
30	GR3369	抬压脚后杠杆	Lifting lever link	1
31	GS0557	后杠杆轴位螺钉	Hinge screw	1
32	GS0558	抬压脚拉杆螺钉	Hinge screw	1
33	GR3370	抬压脚顶杆	Connecting rod vertical	1
34	GR2416	松线拉丝	Wire cable	1
35	GR2418	松线拉丝软管	Wire tube	1
36	GS078	松线拉丝调节螺钉	Set screw	1
37	GL19	松线拉丝调节螺母	Nut	2
38	GR2419	软管支承板	Wire holder bracket (upper)	1
39	GR2420	支承外压板	Wire holder	1
40	GS080	支承外压板螺钉11/64-40 L=7	Screw 11/64-40 L=7	1
41	GS0551	软管支承板螺钉3/16-28 L=6	Screw 3/16-28 L=6	1
42	GR2421	软管侧面定位板	Wire cable holder	1
43	GS0551	定位板螺钉3/16-28 L=6	Screw 3/16-28 L=6	1
44	GR2422	软管下支承板	Wire holder bracket (lower)	1
45	GR2420	下支承外压板	Wire holder	1
46	GS010	下支承外压板螺钉11/64-40 L=5	Screw 11/64-40 L=5	1



5、勾线分组件

5.Hook driving shaft components

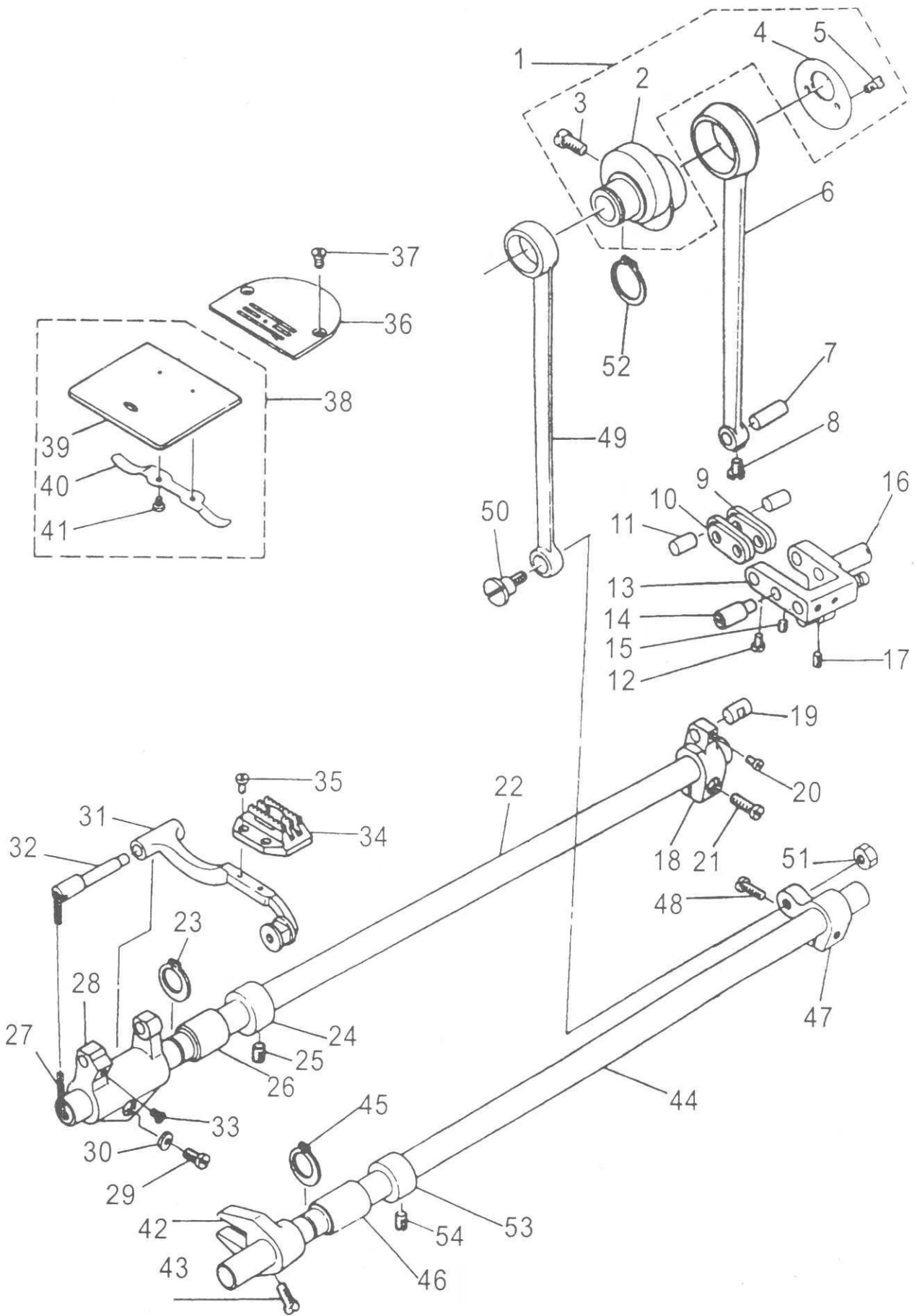
序号	件号	名 称	Description	数量
Ref.No.	Part No.			Amt.
1	GN177	旋梭	Hook asm.	1
2	GN162	梭子	Bobbin case asm.	1
3	GN163	梭心	Bobbin	1
4	GS029	旋梭紧固螺钉	Screw	2
5	GR1685	旋梭定位钩	Positioning finger	1
6	GS030	旋梭定位钩螺钉11/64-40 L=9.5	Screw 11/64-40 L=9.5	1
7	GZ434	下轴	Hook driving shaft	1
8	GS031	下轴限油螺钉	Oil seal screw asm.	1
9	GR1515	下油限油芯	Oil wick	1
10	GR3372	下轴挡油圈	Thrust collar	1
11	GS032	下轴挡油圈螺钉11/64-40 L=3.5	Screw 11/64-40 L=3.5	2
12	GO468	下轴前轴套	Bushing front	1
13	GS0559	下轴前轴套螺钉12/64-28 L=4	Screw 12/64-28 L=4	1
14	GO470	下轴前轴套	Bushing, rear	1
15	GS053	下轴后轴套螺钉12/64-28 L=9	Screw 12/64-28 L=9	1
16	GR1519	下轴挡圈	Thrust collar asm.	1
17	GS082	下轴挡圈螺钉11/64-40 L=4.8	Screw 11/64-40 L=4.8	2
18	GC165	下轴伞齿轮(小)	Pinion asm.	1
19	GS033	伞齿轮螺钉1/4-40 L=8	Screw 1/4-40 L=8	8
20	GC166	竖轴下伞齿轮(大)	Gear asm. large	1
21	GO471	竖轴下轴套	Upright shaft bushing, lower	1
22	GO472	竖轴上轴套	Bushing, upper	1
23	GS053	竖轴上轴套螺钉12/64-28 L=9	Screw 11/64-28 L=9	1
24	GZ435	竖轴	Upright shaft	1
25	GC167	竖轴上伞齿轮(小)	Pinion asm.	1
26	GC168	上轴伞齿轮(大)	Gear asm.	1



6、送料分组件

6.Feed mechanism components

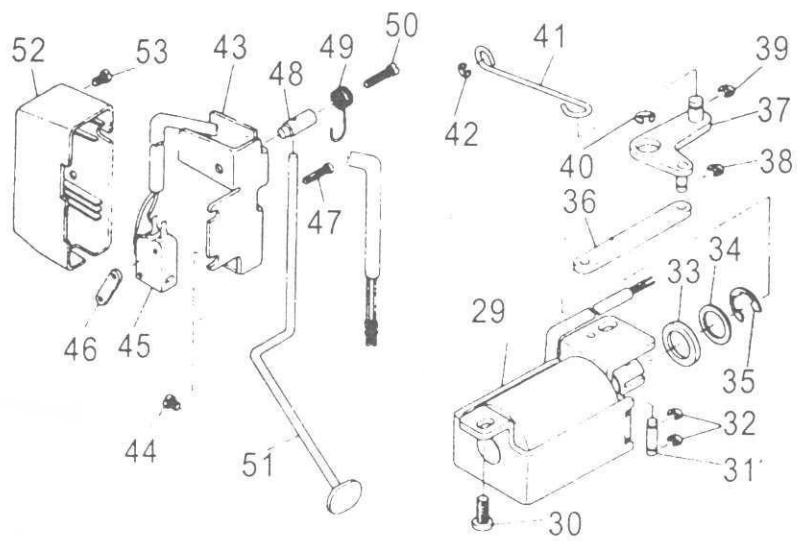
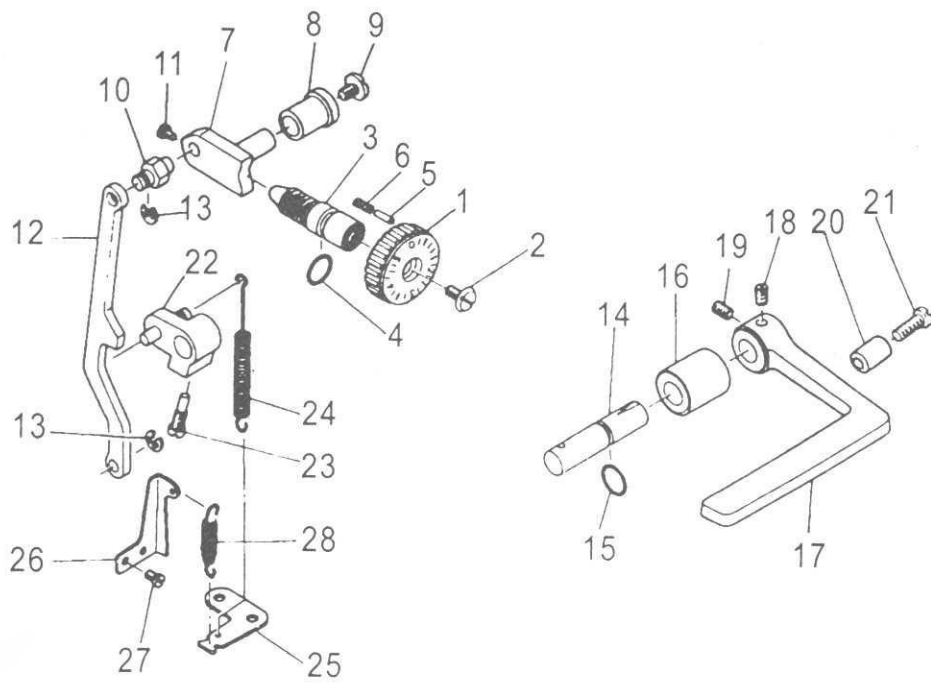
序号	件号	名称	Description	数量
Ref.No.	Part No.			Amt.
1		送料偏心轮部件	Feed drive eccentric cam asm.	1
2	GT198	送料偏心轮	Feed drive eccentric can	(1)
3	GS034	送料偏心轮螺钉1/4-40 L=11	Screw 1/4-40 L=11	(2)
4	GR3373	送料偏心轮盖板	Thrust collar	(1)
5	GS011	偏心轮盖板螺钉9/64-40 L=6	Screw 9/64-40 L=6	(2)
6	GH568	送料连杆	Rocker shaft connecting rod	1
7	GX570	送料连杆销	Walking foot pin	1
8	GS0560	送料连杆销螺钉9/64-40 L=6	Screw 9/64-40 L=6	1
9	GR3374	送料长摆动板	Walking foot link	2
10	GR3375	送料短摆动板	Connecting link	2
11	GX571	短摆动板连接销	Walking foot pin	2
12	GS0560	连接销螺钉9/64-40 L=6	Screw 9/64-40 L=6	2
13	GR2423/3	送料摆动板座部件	Walking foot adjust link	1
14	GX573	送料摆动板座右销	Adjusting link fulcrum shaft	1
15	GS48	左销螺钉15/64-28 L=7	Screw 15/64-28 L=7	1
16	GX573	送料摆动板座右销	Adjusting link fulcrum shaft	1
17	GS48	右销螺钉15/64-28 L=7	Screw 15/64-28 L=7	1
18	GH569	送料曲柄	Feed rocker shaft crank asm.	1
19	GX574	送料曲柄销	Walking foot pin	1
20	GS0560	曲柄销螺钉9/64-40 L=6	Screw 9/64-40 L=6	1
21	GS0561	送料曲柄螺钉3/16-28 L=14	Screw 3/16-28 L=14	1
22	GZ436	送料轴	Feed rocker shaft	1
23	GR1524	送料轴轴用挡圈	Retaining ring	1
24	GR1469	送料轴挡圈	Thrust collar asm.	1
25	GS39	送料轴挡圈螺钉1/4-40 L=6	Screw 1/4-40 L=6	2
26	GO473	送料轴前轴套	Feed rocker shaft bushing	1
27	GR3378	送料轴油线	Oil wick	1
28	GR2425	牙架座	Feed rocker asm.	1
29	GS69	牙架座螺钉3/16-28 L=14	Screw 3/16-28 L=14	1
30	GR1528	牙架座螺钉垫圈	Washer	1
31	GR2426/5	牙架部件	Feed bar asm.	1
32	GX418	牙架销	Feed bar shaft	1
33	GS092	牙架销螺钉11/64-40 L=7	Screw 11/64-40 L=7	1
34	GM206	送料牙	Feed dog	1
35	GS072	送料牙螺钉1/8-44 L=6	Screw 1/8-44 L=6	2
36	GM207	针板	Throat plate	1
37	GS044	针板螺钉11/64-40 L=8.5	Screw 11/64-40 L=8.5	2
38	GM340/4	推板部件	Bed slide asm.	1
39	GM204	推板	Slide plate	(1)
40	GW434	推板簧	Bred slide spring	(1)
41	GS045	推板簧螺钉3/32-56 L=1.9	Screw 3/32-56 L=1.9	(2)
42	GH570	拾牙叉形曲柄	Driving shaft crank asm. front	1
43	GS037	拾牙叉形曲柄螺钉11/64-40 L=10.5	Screw 11/64-40 L=10.5	1
44	GZ437	拾牙轴	Feed driving shaft	1
45	GR1524	拾牙轴轴用挡圈	Retaining ring	1
46	GO473	拾牙轴前轴套	Feed rocker shaft bushing	1
47	GH571	拾牙后曲柄	Rear crank asm.	1
48	GS0561	拾牙后曲柄螺钉3/16-28 L=12	Screw 3/16-28 L=12	1
49	GH572	拾牙连杆	Connecting rod	1
50	GS0562	拾牙连杆轴位螺钉	Hinge screw	1
51	GL7	拾牙连杆螺母9/32-28	Nut 9/32-28	1
52	GR1535	拾牙连杆轴用挡圈	Snap ring	1
53	GR1469	拾牙轴挡圈	Thrust collar asm.	1
54	GS39	拾牙轴挡圈螺钉1/4-40 L=6	Screw 1/4-40 L=6	2



7、送料调节分组件

7.Feed regulating components

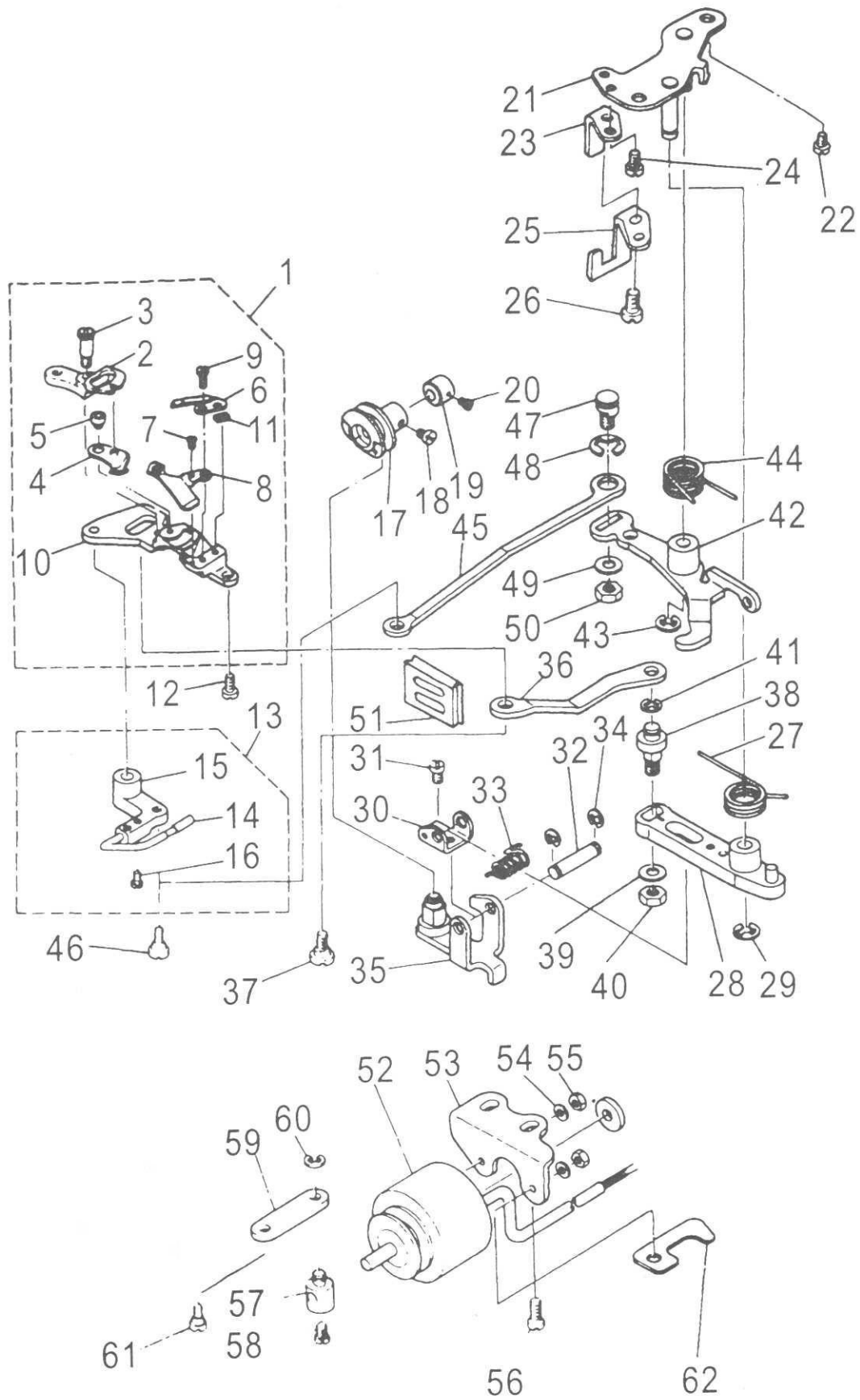
序号	件号	名称	数量
Ref.No.	Part No.	Description	Amt
1	GR3429	送料距旋钮	1
2	GS0563	送料距旋钮螺钉3/16-28 L=18	1
3	GS0167	送料调节螺柱	1
4	GR3383	送料调节螺柱O形圈	1
5	GX576	送料距锁合销	1
6	GW257	送料距锁合簧	1
7	GR3384	送料调节器	1
8	GO474	送料调节器轴套	1
9	GS0565	送料调节器轴端螺钉	1
10	GX577	倒送料连杆销	1
11	GS011	连杆销螺钉9/64-40 L=6	2
12	GH453	倒送料连杆	1
13	GR1510	倒送料连杆挡圈	2
14	GZ438	倒送料轴	1
15	GR3385	倒送料轴O形圈	1
16	GO475	倒送料轴轴套	1
17	GR3386	倒送料扳手	1
18	GS050	倒送料扳手定位螺钉1/4-40 L=10	1
19	GS033	倒送料扳手螺钉1/4-40 L=8	1
20	GR2428	倒送料扳手挡圈	1
21	GS0222	挡圈螺钉3/16-28 L=18	1
22	GH574/2	倒送料曲柄部件	1
23	GS0566	倒送料曲柄螺钉	1
24	GW435	倒送料拉簧	1
25	GR3387	拉簧固定板	1
26	GR3388	摆动板座复位板	1
27	GS0567	复位板螺钉11/64-40 L=5	2
28	GW436	摆动板座复位簧	1
29	GD305	倒送料电磁铁	1
30	GS0223	安装螺钉15/64-28 L=12	2
31	GX419	铁芯连接销	1
32	GR1717	连接销挡圈	2
33	GR1695	铁芯橡皮垫	1
34	GR2429	铁芯垫	1
35	GR1697	铁芯止动挡圈	1
36	GH454	铁芯连杆	1
37	GH455/3	自动倒送料曲柄部件	1
38	GR1717	曲柄短销挡圈	1
39	GR1510	曲柄长销挡圈	1
40	GR2402	曲柄挡圈	1
41	GR2430	自动倒送料拉杆	1
42	GR1510	拉杆挡圈	1
43	GR2432	开关支承架	1
44	GS053	支承架安装螺钉3/16-28 L=9	2
45	GD306	微动开关	1
46	GR2433	微动开关安装板	1
47	GS571	安装板螺钉M3×16	2
48	GX422	开关安装销	1
49	GW333	安装销复位簧	1
50	GS0224	开关杆定位螺钉	1
51	GR2434/2	开关杆部件	1
52	GR2436	手触倒送料开关罩	1
53	GS81	开关罩安装螺钉11/64-40 L=6	1



8、剪线分组件

8.Thread trimmer components

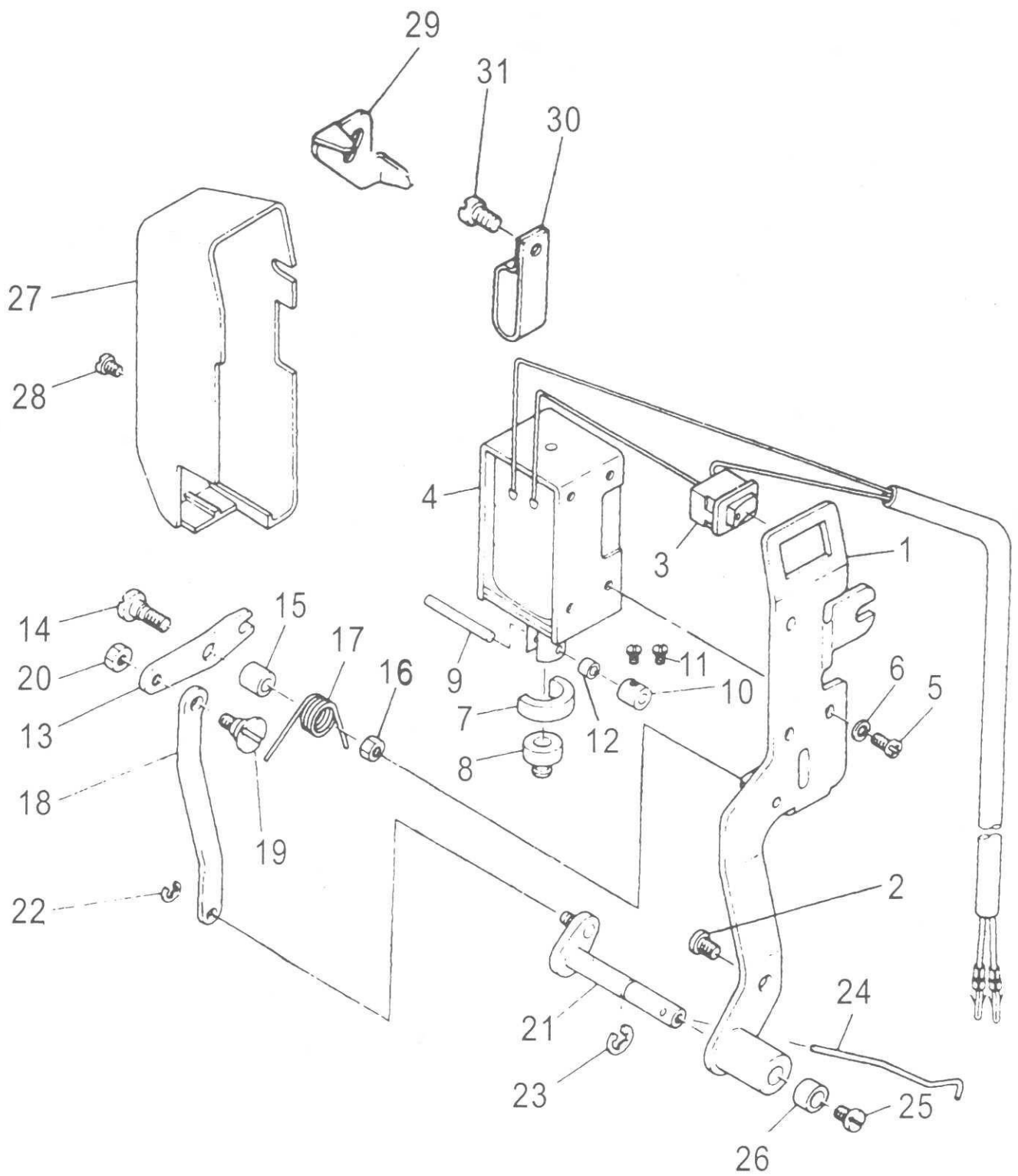
序号	件号	名称	数量
Ref.No.	Part No.	Description	Amt.
1	GR2437/11	剪线刀部件	1
2	GH457	动力摆动叉	(1)
3	GS093	摆动叉轴位螺钉	(1)
4	GR2438/2	动刀部件	(1)
5	GS0225	动刀轴位螺钉	(1)
6	GR1705	定刀	(1)
7	GS072	定刀螺钉1/8-44 L=6	(2)
8	GR1706	剪线导线钩	(1)
9	GS095	剪线导线钩螺钉3/32-56 L=2.3	(1)
10	GR2440	剪线刀座	(1)
11	GR1708	定刀安装板	(1)
12	GS81	剪线刀座螺钉11/64-40 L=7	1
13	GR2441/4	挡线器安装座部件	1
14	GR2442/4	挡线器部件	(1)
15	GH458	挡线器座	(1)
16	GS096	挡线器杆螺钉9/64-40 L=5	(2)
17	GT172	剪线凸轮	1
18	GS0226	剪线凸轮螺钉1/4-40 L=6	2
19	GR2444	剪线凸轮挡圈	1
20	GS032	挡圈螺钉11/64-40 L=4.5	1
21	GR2445/3	剪线驱动座部件	1
22	GS062	驱动座安装螺钉15/64-28 L=9	2
23	GR2447/2	驱动曲柄定位板组件	1
24	GS81	定位板螺钉11/64-40 L=7	1
25	GR2450	剪线保护板	1
26	GS81	保护板螺钉11/64-40 L=7	1
27	GW334	剪线驱动曲柄复位簧	1
28	GH459/2	剪线驱动曲柄部件	1
29	GR1507	驱动曲柄定位挡圈	1
30	GR2451	托板支承架	1
31	GS0560	托板支承架安装螺钉9/64-40 L=6	1
32	GX426	托板支承架销	1
33	GW335	托板复位簧	1
34	GR1717	托板支承架销挡圈	2
35	GR2452/4	凸轮滚柱托板部件	1
36	GR2456	动力驱动拉杆	1
37	GS0227	摆动叉驱动轴位螺钉	1
38	GX428	拉杆连接销	1
39	GR1599	连接销垫圈	1
40	GL21	连接销螺母	1
41	GR1510	连接销挡圈	1
42	GR2457/2	剪线离合架部件	1
43	GR1507	离合架挡圈	1
44	GW336	离合架复位簧	1
45	GR2460	挡线器拉杆	1
46	GS022	拉杆轴位螺钉	1
47	GX429	挡线器拉杆连接销	1
48	GR2461	挡线器拉杆连接销挡圈	1
49	GR1599	垫圈	1
50	GL21	垫圈螺母	1
51	GR2462	挡油块	1
52	GD307	剪线电磁铁	1
53	GR2463	剪线电磁铁支架	1
54	GR1672	支架连接垫圈	2
55	GL110	支架连接螺母	2
56	GS0223	支架安装螺钉15/64-28 L=12	2
57	GR2464	剪线电磁铁节头	1
58	GS81	节头螺钉11/64-40 L=7	1
59	GR2465	剪线电磁铁拉杆	1
60	JR1510	节头挡圈	1
61	GS0228	拉杆轴位螺钉	1
62	GR3400	电磁铁电线压板	1



9、拨线分组件

9.Wiper components

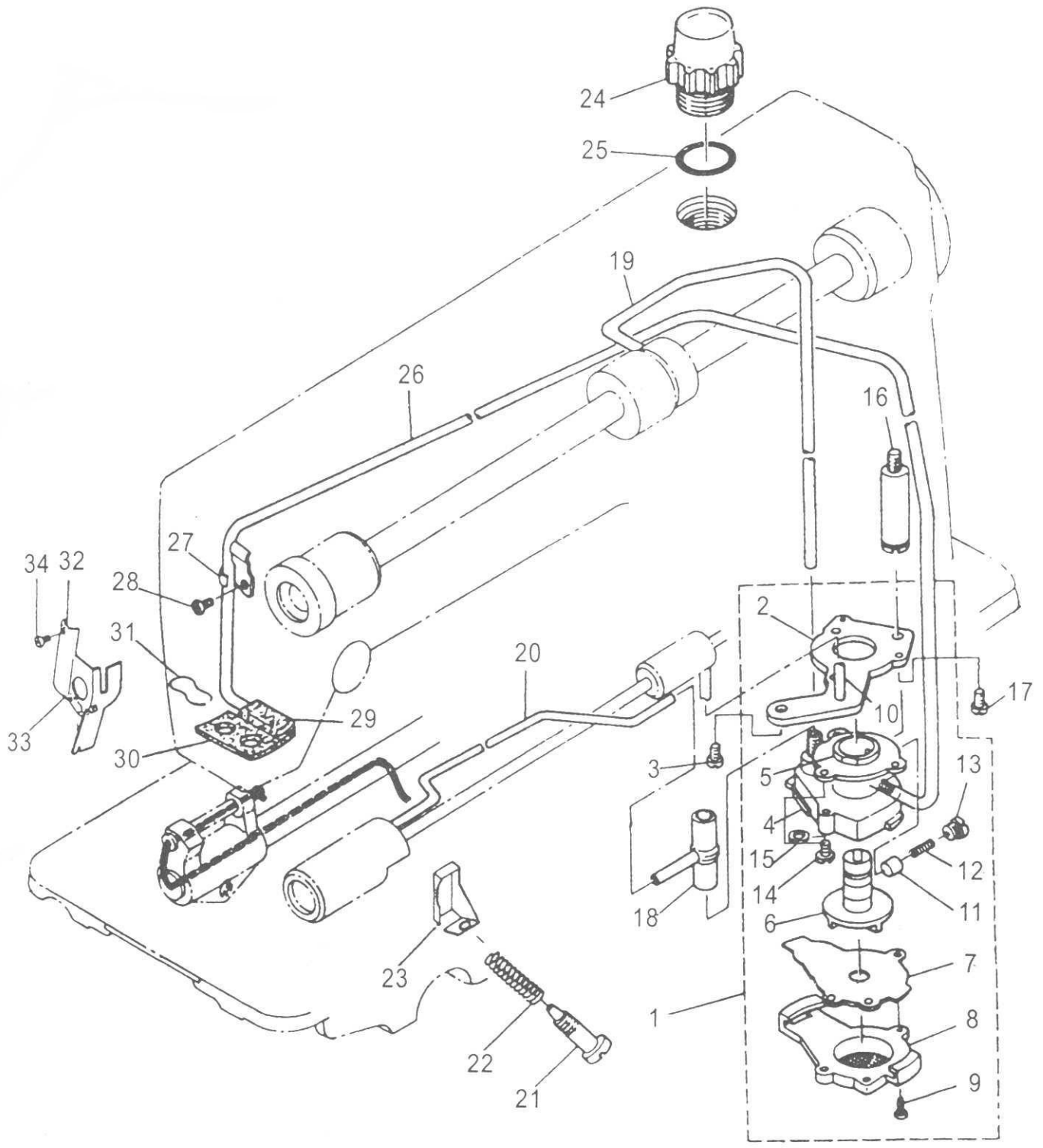
序号	件号	名 称	Description	数量
Ref.No.	Part No.			Amt
1	GR2466/2	拨线电磁铁支架部件	Wiper base asm.	1
2	GS053	支架安装螺钉3/16-28 L=9	Screw 3/16-28 L=9	1
3	GD308	拨线器开关	Power source switch asm	1
4	GD309	拨线电磁铁	Wiper solenoid	1
5	GS304	拨线电磁铁安装螺钉M3×0.5 L=6	Screw M3×0.5 L=6	3
6	GD254	安装螺钉垫圈	Spring washer	3
7	GR2468	铁芯橡皮垫	Wiper rubber	1
8	GR2469	铁芯复位垫	Wiper rubber	1
9	GX430	铁芯传动销	Wiper solenoid pin	1
10	GR2470	传动销定位圈	Thrust collar asm.	1
11	GS0229	定位圈螺钉1/8-44 L=2.5	Screw 1/8-44 L=2.5	2
12	GR2471	传动销滚柱	Wiper link collar	1
13	GR2472	拨线传动板	Wiper link	1
14	GS0230	传动板轴位螺钉	Hinge screw	1
15	GR2473	轴位螺钉定位套	Wiper hinge screw collar	1
16	GL31	轴位螺钉螺母	Nut	1
17	GW337	传动板复位簧	Wiper spring	1
18	GR2474	拨线拉杆	Connecting Link	1
19	GS0231	拉杆轴位螺钉	Wiper link hinge screw	1
20	GL48	拉杆轴位螺钉螺母	Nut	1
21	GZ344/3	拨线驱动轴部件	Wiper driving shaft asm.	1
22	GR1662	驱动轴挡圈	Snap ring	1
23	GR1510	拨线轴挡圈	Snap ring	1
24	GR2475	拨线杆	Wiper	1
25	GS0232	拨线杆紧固螺钉9/64-40 L=5	Screw 9/64-40 L=5	1
26	GR2476	螺钉套圈	Bracket installing collar	1
27	GK203	拨线器罩	Wiper cover	1
28	GS304	拨线器罩螺钉M3×0.5 L=6	Screw M3×0.5 L=6	1
29	GR2477	电线压板	Cord holder	1
30	GR1721	电线夹	Cord holder	1
31	GS053	电线夹螺钉3/16-28 L=9	Screw 3/16-28 L=9	1



10、润滑分组件

10.Lubrication components

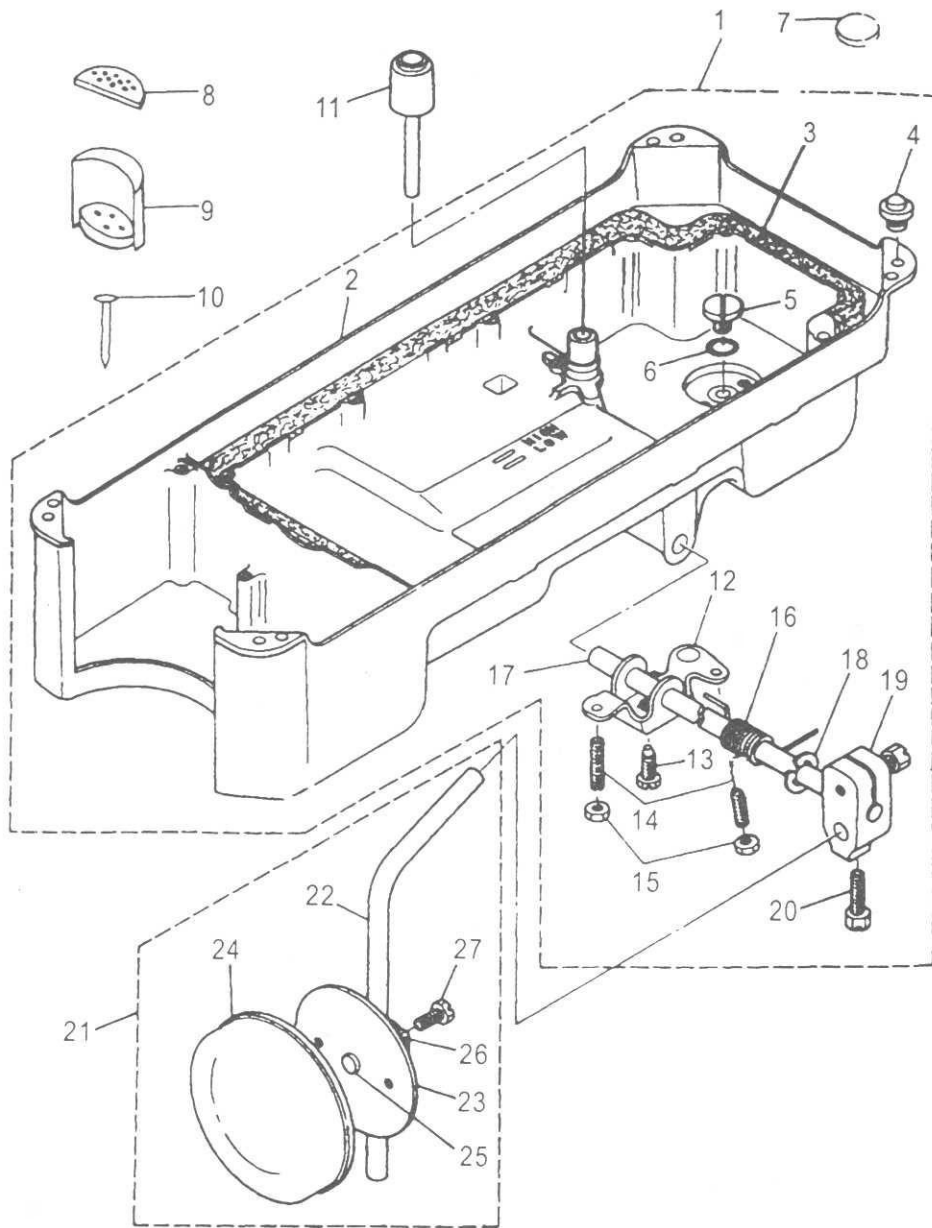
序号	件号	名 称	数量
Ref.No.	Part No.	Description	Amt
1	GR3389/12	油泵部件	Lubricating oil pump asm. 1
2	GR3390	油泵安装板	Oil pump installing base (1)
3	GS062	油泵螺钉15/64-28 L=8	Screw 15/64-28 L=8 (1)
4	GR3391	油泵体	Oil pump (1)
5	GO476	油泵体衬套	Oil pmup bushing (1)
6	GR3392	油泵叶轮	Oil pump impeller (1)
7	GR3393	油泵叶轮托板	Oil pump impeller cover (1)
8	GR3394	油泵盖	Lubricating oil pmup cover (1)
9	GS554	油泵盖螺钉	Screw (3)
10	GR3395	下轴供油管	Hook driving shaft oil tube (1)
11	GR3396	回油柱塞	Plunger (1)
12	GW437	柱塞簧	Plunger spring (1)
13	GS0569	柱塞螺钉	Plunger screw (1)
14	GS0568	油泵安装螺钉M3×8 L=7	Screw (3)
15	GR2478	油泵螺钉垫圈	Washer 1
16	GS0233	油泵连接螺钉	Oil pump support 1
17	GS030	螺柱连接螺钉11/64-40 L=9.5	Screw 11/64-40 L=9.5 1
18	GR3397	供油管接头	Rubber joint 1
19	GR3398	上轴供油管	Main shaft oil tube 1
20	GR3399	旋梭供油管	Oil tube 1
21	GS054	旋梭油量调节螺钉	Oil adjusting screw 1
22	GW259	旋梭油量调节簧	Spring 1
23	GK204	下轴前轴套挡油罩	Oil shield guard 1
24	GR2480	油窗	Oil sight window 1
25	GR1562	油窗O形圈	Rubber ring 1
26	GR3401	回油管	Oil return tube 1
27	GR1566	回油管夹	Oil return tube holder 1
28	GS0551	回油管夹螺钉3/16-28 L=6	Screw 3/16-28 L=6 1
29	GR1567	回油除尘毡	Anti-dust oil felt 1
30	GR1568	回油毡	Oil felt 1
321	GR1569	回油毡夹	Oil felt presser 1
32	GR3403	面部防油板	Arm oil shield 1
33	GR3404	防油板油线	Oil wick 1
34	GS44	防油板螺钉1/8-44 L=4	Screw 1/8-44 L=4 1



11 油盘、膝抬压脚分组件

11.Oil reservoir & knee lifter components

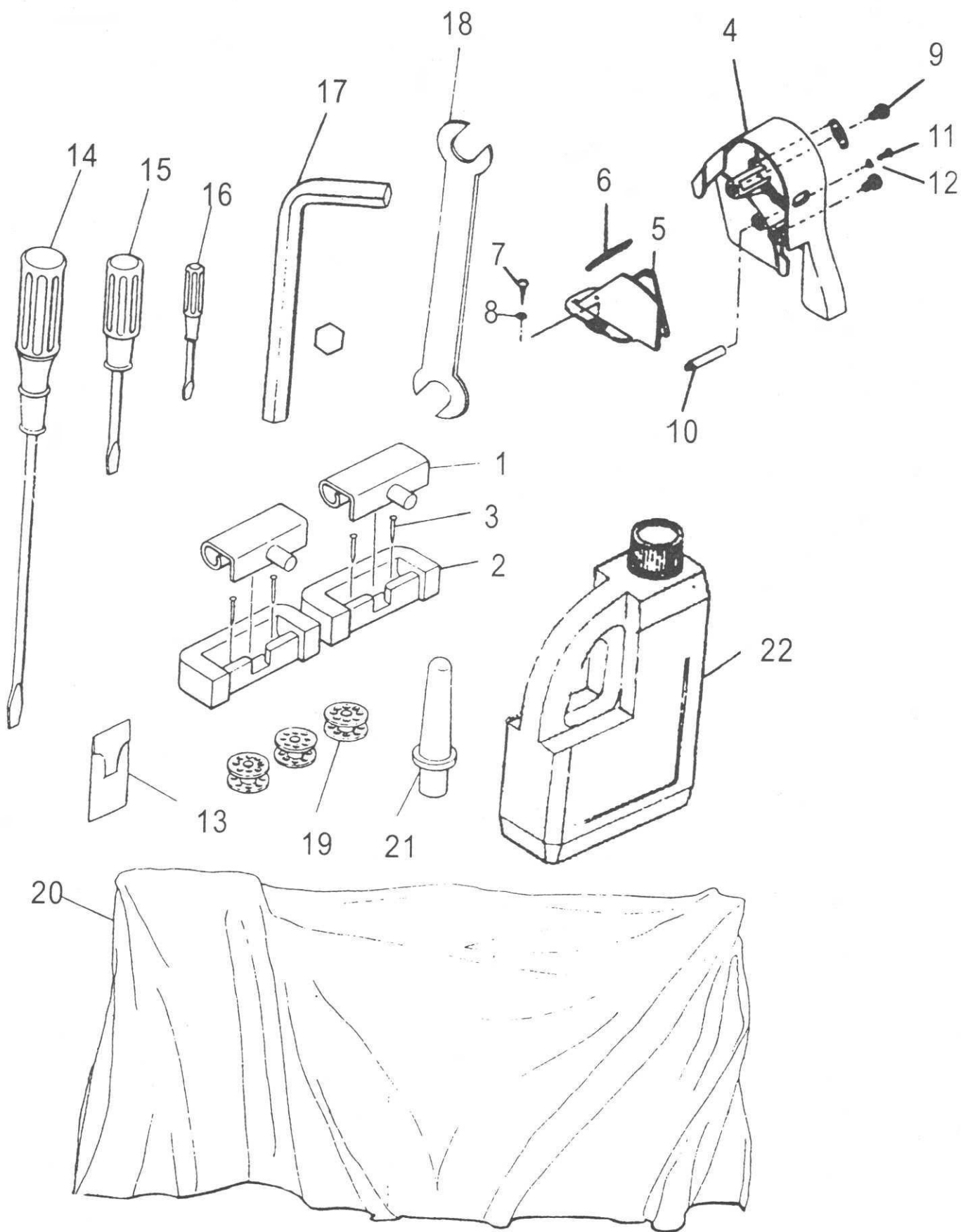
序号	件号	名称	Description	数量
Ref.No.	Part No.			Amt.
1	GR3405/17	油盘部件	Oil reservoir asm	1
2	GR3406	油盘	Oil reservoir	(1)
3	GR3407	油盘垫	Gasket	(1)
4	GR3408	机关座垫	Rubber cushion	(4)
5	GS0571	排油孔螺钉	Screw	(2)
6	GR3409	排油孔螺钉O形圈	Rubber ring	(2)
7	GR1576	油盘磁铁	Oil reservoir magnet	1
8	GR1578	油盘座垫	Oil reservoir felt cushion	2
9	GR3956	油盘支座	Oil reservoir rubber cushion	2
10	GBX108	油盘座钉	Nail	4
11	GH579	抬压脚顶销	Knee press lifter rod	1
12	GH576	抬压脚双向曲柄	Connecting rod, vertical	1
13	GS0572	双向曲柄螺钉15/64-28 L=6	Screw 15/64-28 L=6	1
14	GS057	双向曲柄限位调节螺钉15/64-28 L=30	Screw 15/64-28 L=30	2
15	GL21	双向曲柄限位调节螺母15/64-28	Nut 15/64-28	2
16	GW438	双向曲柄扭簧	Spring	1
17	GZ439	抬压脚轴	Knee press rod	1
18	GR1583	抬压脚轴开口挡圈	Snap ring	1
19	GR3410	抬压脚操纵杆节头	Bearing bracket	1
20	GS0573	操纵杆节头螺钉9/32-20 L=20	Screw 9/32-20 L=20	2
21	GR3411/6	操纵杆部件	Knee press plate asm.	1
22	GZ1586	操纵杆	Knee lifter plate rod	1
23	GR3412	操纵板	Knee press plate	1
24	GKR13	操纵板软垫	Knee press plate cover	1
25	GR3413	操纵杆垫	Rubber	1
26	GR3414	操纵杆节头	Knee press plate holder	1
27	GS584	节头螺钉M6×12	Screw M6×12	1



12、机头附件(1)

12.Machine head accessories(1)

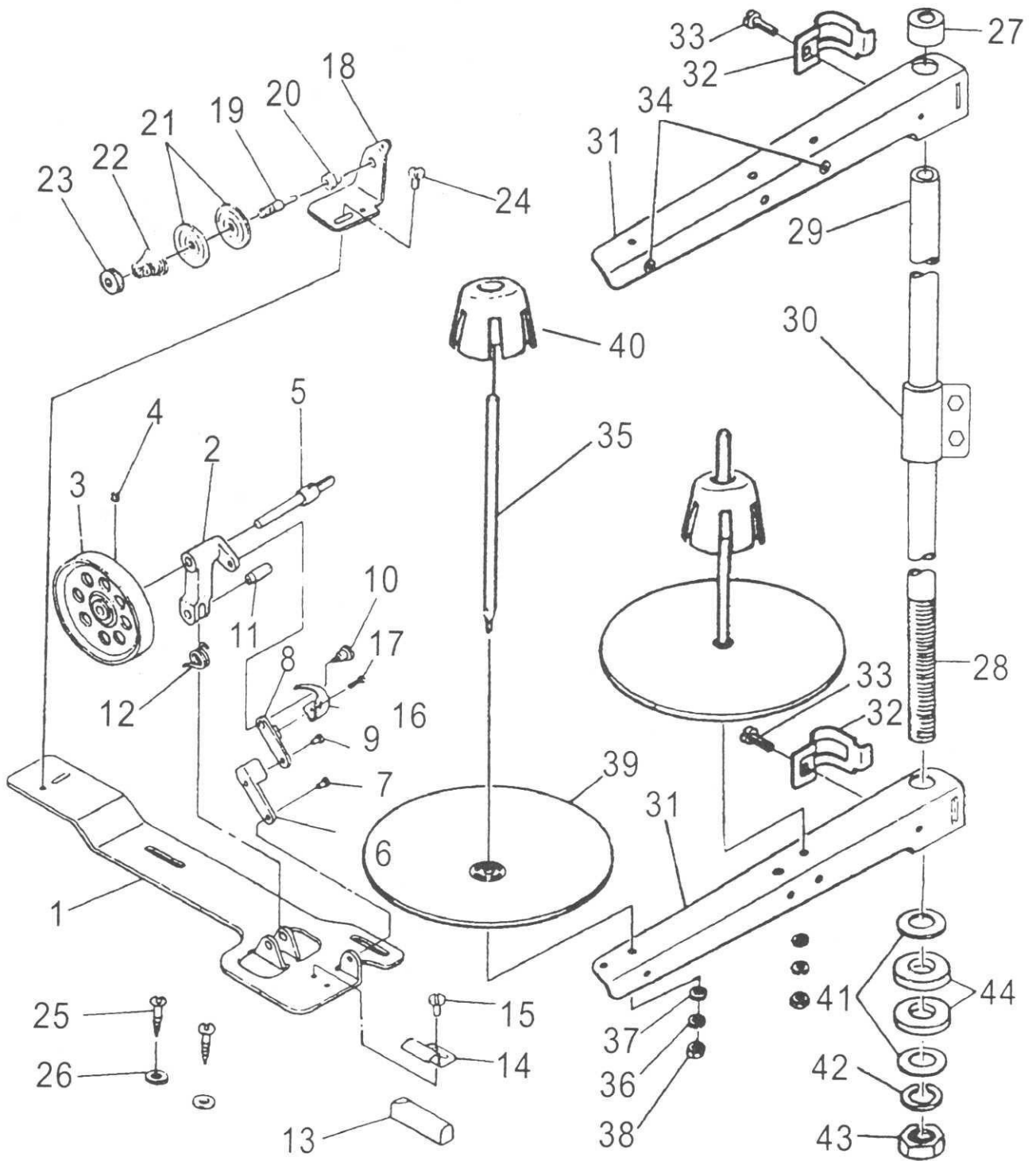
序号	件号	名 称	数量
Ref.No.	Part No.	Description	Amt
1	GR1509/2	机头连接钩部件	Machine hinge plate asm. 2
2	GR1593	机头连接钩座	Machine hinge plate 2
3	GBX105	机头连接钩座钉	Nail 4
4	GK241	上轮前罩壳	Beltcover 1
5	GK243	上轮后罩壳	Beltcover 1
6	GK244/2	后罩壳盖部件	Beltcover, B cover asm. 1
7	GBS120	后罩壳安装木螺钉	Wood screw D=4.5 L=20 2
8	GBR147	木螺钉垫圈	Washer 2
9	GB0574	前罩壳紧固螺钉	Beltcover, A screw 2
10	GS0575	后罩壳支柱	Beltcover 1
11	GS0576	支柱螺钉	Screw 3/6-28 L=14 1
12	GR3417	螺钉垫圈	Washer 1
13	DB×1	机针	Needle 2
14	GR1610	螺丝刀(大)	Screw driver, large 1
15	GR1602	螺丝刀(中)	Screw driver, medium 1
16	GR1603	螺丝刀(小)	Screw driver, small 1
17	GR749	内六角扳手	Wrench 1
18	GR544	双头扳手	Double-head wrench 1
19	GN163	梭心	Bobbin 3
20	GF424	机头罩	Machine head cover 1
21	GBR148	机头支柱	Machine rest pin 1
22	GR1604/3	油箱部件	Oil reservoir asm. 1



机头附件(2)

7.Feed regulating components

序号	件号	名 称	Description	数量
Ref.No.	Part No.			Amt
1	GR3419	绕线座	Bobbin winder base asm.	1
2	GR3420	绕线架	Thread winder base asm.	1
3	GP167	绕线轮	Thread winder asm.	1
4	GS013	绕线轮螺钉	Screw	1
5	GZ284	绕线轴	Bobbin winder shaft	1
6	GR3421	绕线座连杆	Connecting rod	1
7	GX347	绕线座连杆销	Connecting rod pin	1
8	GR3422	绕线架连杆	Bobbin winder frame rod	1
9	GX347	绕线架连杆销	Bobbin winder frame rod pin	1
10	GS063	绕线架连杆轴位螺钉 1/8-44 L=12.5	Screw 1/8-44 L=12.5	1
11	GX348	绕线架销	Bobbin winder frame pin	1
12	GW263	绕线架簧	Bobbin winder frame spring	1
13	GR1613	绕线轮制动垫	Rubber brake	1
14	GR3423	制动垫夹	Presser plate	1
15	GS064	制动垫夹螺钉 11/64-40 L=3	Screw 11/64-40 L=3	1
16	GW439	满线跳板簧	Bobbin winder spring	1
17	GS065	满线跳板簧螺钉	Hinge screw	1
18	GR3425	过线架座	Thread tension bracket asm.	1
19	GS0577	过线螺钉	Screw	1
20	GR1617	过线夹线板挡圈	Bobbin winder tension disc collar	1
21	GR1488	过线夹线板	Tension disc	2
22	GW265	过线夹线簧	Tension spring	1
23	GL22	过线夹线螺母	Thread tension stud nut	1
24	GS0578	过线架紧固螺钉 11/64-40 L=7.8	Screw 11/64-40 L=7.8	1
25	GBS120	绕线器木螺钉	Wood screw	2
26	GBR147	绕线器木螺钉垫圈	Washer	2
27	GR1744	线架杆顶防护橡皮	Spool rest rod rubber cap	1
28	GZ315	线架杆下节	Spool rest rod (lower)	1
29	GZ316	线架杆上节	Spool rest rod (upper)	1
30	GR1932	线架杆接头	Spool rested joint	1
31	GR1825	线架过线杆	Thread guide asm.	2
32	GR1745	线架过线线夹	Thread guide arm joint	2
33	GS558	线架过线夹螺钉	Screw	2
34	GR1748	过线圈	Thread guide ring	2
35	GS0767	线盘钉	Spool pin	2
36	GR1625	线盘钉弹簧垫圈	Spring washer	2
37	GR1626	线盘钉垫圈	Washer	2
38	GL23	线盘钉螺母	Nut	2
39	GR1811	线盘	Spool rest	2
40	GR4014	线团防松垫	Spool vibration stopper	2
41	GR1696	线架杆紧固螺母垫圈	Washer	2
42	GR1751	紧固螺母弹簧垫圈	Spring washer	1
43	GL158	线架杆紧固螺母	Nut	1
44	GR1753	线架杆防震橡皮圈	Rubber washer	2



13、机架、台板、电器分组件 13.Machine stand, table & electric appliance components

序号	件号	名称	Description	数量
Ref.No.	Part No.			Amt
1	GKR302/5	边架部件(左)	Stand side asm. left	1
2	GKR305/5	边架部件(右)	Stand side asm. right	1
3	GKR318	边架座套	Rubber cushion	4
4	GKL104	调节座螺母	Nut	4
5	GKR196/2	调节座	Screw	4
6	GKR198	调节座胶垫	Space ring	4
7	GKR309	横档	Sptand side support asm.	1
8	GKS110	横档连接螺钉	Screw	4
9	GKR106	边架柱弹簧垫圈	Spring washer	4
10	GKR122	边架柱垫圈	Washer	8
11	GKL101	横档固定螺母	Nut	4
12	GKR310	踏板轴档	Treadle brace asm.	1
13	GKS110	踏板轴档螺钉	Screw	2
14	GKR122	踏板轴档垫圈	Washer	2
15	GKR106	踏板轴档弹簧垫圈	Spring washer	2
16	GKR311	踏板轴档定位螺母板	Treadle brace locknut plate	2
17	GKX301	踏板轴	Treadle shaft	1
18	GKR317	踏板轴座	Treadle bracket	2
19	GKS110	踏板轴座螺钉	Screw	2
20	GKR122	踏板轴座垫圈	Washer	4
21	GKR106	踏板轴座弹簧垫圈	Spring washer	2
22	GKL101	踏板轴座螺母	Nut	2
23	GKR312	踏板	Treadle	1
24	GKS313	踏板垫	Gask ket	1
25	GKR314	踏板衬套	Collar	2
26	GKR315	踏板杠杆	Treadle pitman	1
27	GKS102	踏板杠杆螺钉	Screw	2
28	GKR112	踏板杠杆垫圈	Wahser	4
29	GKL102	踏板杠杆螺母	Nut	2
30	GKR183	拉杆接头	Connecting rod joint	1
31	GKS110	拉杆接头螺钉	Screw	1
32	GKL101	拉杆螺钉螺母	Nut	1
33	GZ296	拉杆	Connecting rod	2
34	GR1741	拉杆连接球	Connecting ball joint	2
35	GR1742	连接球支承体	Supporting plate	2
36	GW280	支承体弹簧	Supporting spring	2
37	GKR113	弹簧垫圈	Spring washer	2
38	GL156	连接球螺母	Nut	4
39	GBS114	台板木螺钉	Table wood screw	4
40	GKR112	台板木螺钉垫圈	Table wood screw washer	4
41	GKR186	台板垫	Table washer	4
42	GBR185	台板	Table	1
43	GBR187	抽斗	Drawer	1
44	GBR188	抽斗导轨	Drawer rail	2
45	GBS135	抽斗导轨木螺钉	Drawer rail wood screw	6
46	GBR153	抽斗限位	Drawer limit plate	1
47	GKS122	电机台板连接螺钉	Motor & table connecting screw	3
48	GKR209	电机台板连接垫圈	Motor & table connecting washer	3
49	GKR106	电机台板连接弹簧垫圈	Motor & table connecting spring washer	3
50	GKL101	电机台板连接螺母	Motor & table connecting nut	3
51	GP142	电动机带轮	Motor pulley	1
52	GE123	机头传动带	Machine driving belt	1

