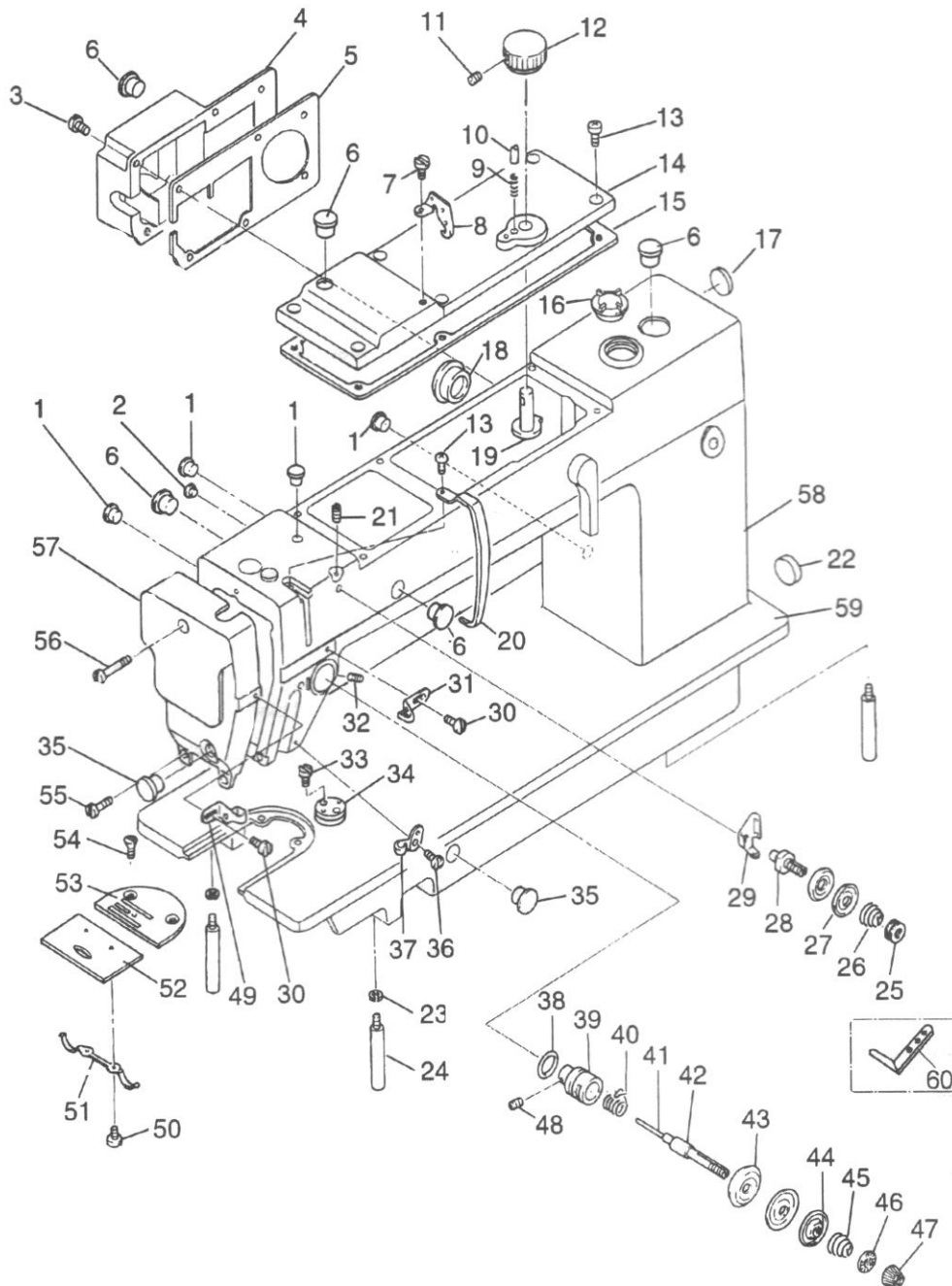


WYKAZ CZĘŚCI
DO MASZINY HIGHLEAD
MODEL
GC0398-1
GC0398-1-D

A.ARM BED AND ITS ACCESSORIES



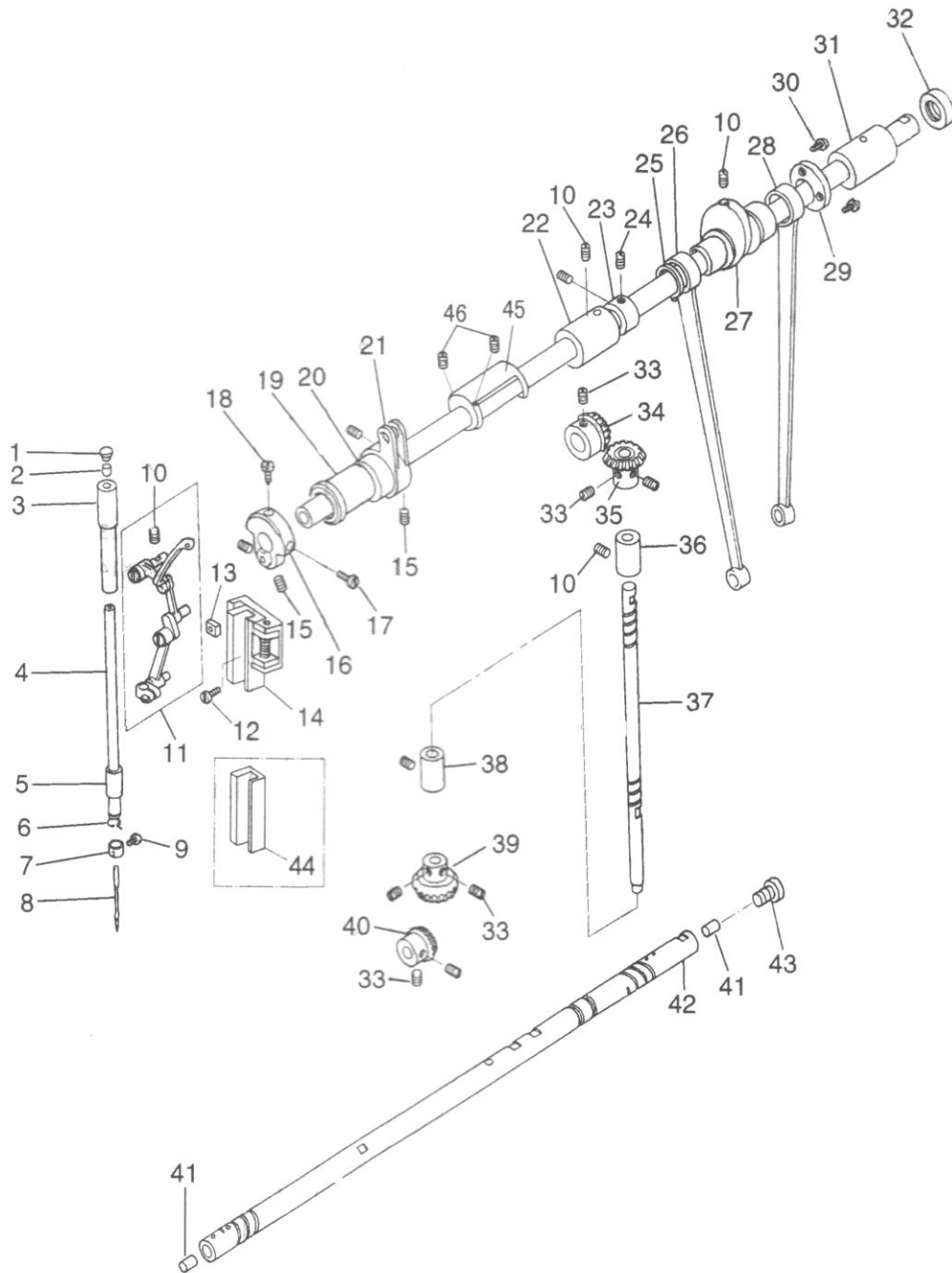
A.ARM BED AND ITS ACCESSORIES

Fig. No.	Part No.	Description	1	1 D	Remarks
A01	HA300B2090	Rubber plug	4	4	(φ8.8)
A02	HA300B2110	Rubber plug	1	1	(φ5.7)
A03	HA300B2160	Screw	6	6	SM11/64(40)×9
A04	H6512B8001	Arm side cover	1	1	
A05	H6513B8001	Gasket for arm side cover	1	1	
A06	HA307B0673	Rubber plug	3	5	(φ19)
A07	HA700F2100	Screw	1	1	SM11/64(40)×7
A08	H6017B8001	Thread guide	1	1	
A09	H6022B8001	Coil spring for upper feed lifting	1	1	
A10	H6023B8001	Stopper pin for upper feed lifting	1	1	
A11	H431040060	Set screw	2	2	GB/T80 M4×6
A12	H6024B7101	Dial for upper feed lifting	1	1	
A13	HA300C2030	Screw	7	7	SM11/64(40)×8
A14	H6515B8001	Top cover	1	1	
A15	H6516B8001	Gasket for top cover	1	1	
A16	H1210B0067	Oil check window	1	1	
A17	H6030B8001	Rubber plug	1	1	(φ22)
A18	H6032B8001	Rubber plug	1	1	(φ26)
A19	H6518B8001	Upper feed lifting regulator cam	1	1	
A20	HA600C2020	Thread take-up cover	1	1	
A21	HA100B2110	Screw	1	1	SM11/64(40)×5.5
A22	HA300B2100	Rubber plug	1	1	(φ27)
A23	H005008060	Spring washer	2	2	GB/T93 6
A24	HA100B2220	Leg	3	3	
A25	HA710B0671	Pre tension adjusting nut		1	
A26	HA710B0672	Thread tension spring		1	
A27	HA112B0693	Thread tension disc		2	
A28	HA710B0673	Thread tension stud		1	
A29	HA710B0674	Thread guide		1	
A30	HA106B0676	Screw	2	2	SM9/64(40)×6
A31	HA600B2050	Thread guide	1	1	
A32	HA300B2080	Screw	1	1	SM15/64(28)
A33	HA300B2130	Screw	2	2	SM11/64(40)×5.5
A34	HA300B2140	Cloth guide plate	1	1	
A35	HA307B0674	Rubber plug	2	4	(φ11.8)
A36	HA500C2070	Screw	1	1	SM9/64(40)×5
A37	HA500C2060	Thread guide	1	1	
A38	HA115B7011	O-ring	1	1	
A39	HA310B0703	Thread tension regulator bushing	1	1	
A40	HA505B0672	Thread take-up spring	1	1	
A41	HA115B0709	Thread releasing pin	1	1	
A42	HA115B0701	Thread tension stud	1	1	
A43	HA310B0705	Thread tension disc	2	2	

A.ARM BED AND ITS ACCESSORIES

Fig. No.	Part No.	Description	1	1 D	Remarks
A44	HA310B0702	Thread tension releasing disc	1	1	
A45	HA505B0671	Thread tension spring	1	1	
A46	HA115B7010	Thumb nut revolution stopper	1	1	
A47	HA310B0701	Thumb nut	1	1	
A48	HA115B0708	Screw	1	1	SM9/64(40)×6
A49	HA607B0671	Thread guide	1	1	
A50	HA124B0713	Screw	2	2	
A51	HA124B0712	Plate spring for slide plate	1	1	
A52	HA124B0711	Slide plate	1	1	
A53	H1100B2060	Needle plate	1	1	
A54	HA300B2190	Screw	2	2	
A55	HA700B2030	Screw	2	2	
A56	H5341B8001	Screw	1	1	SM11/64(40)×26
A57	H6517B8001	Fave plate	1	1	
A58	HB5253B081	Arm		1	
A58	H6507B8001	Arm	1		
A59	HB5254B081	Bed		1	
A59	H6508B8001	Bed	1		
A60	HA100B2100	Three hole thread guide	1		

B.SEWING MECHANISM



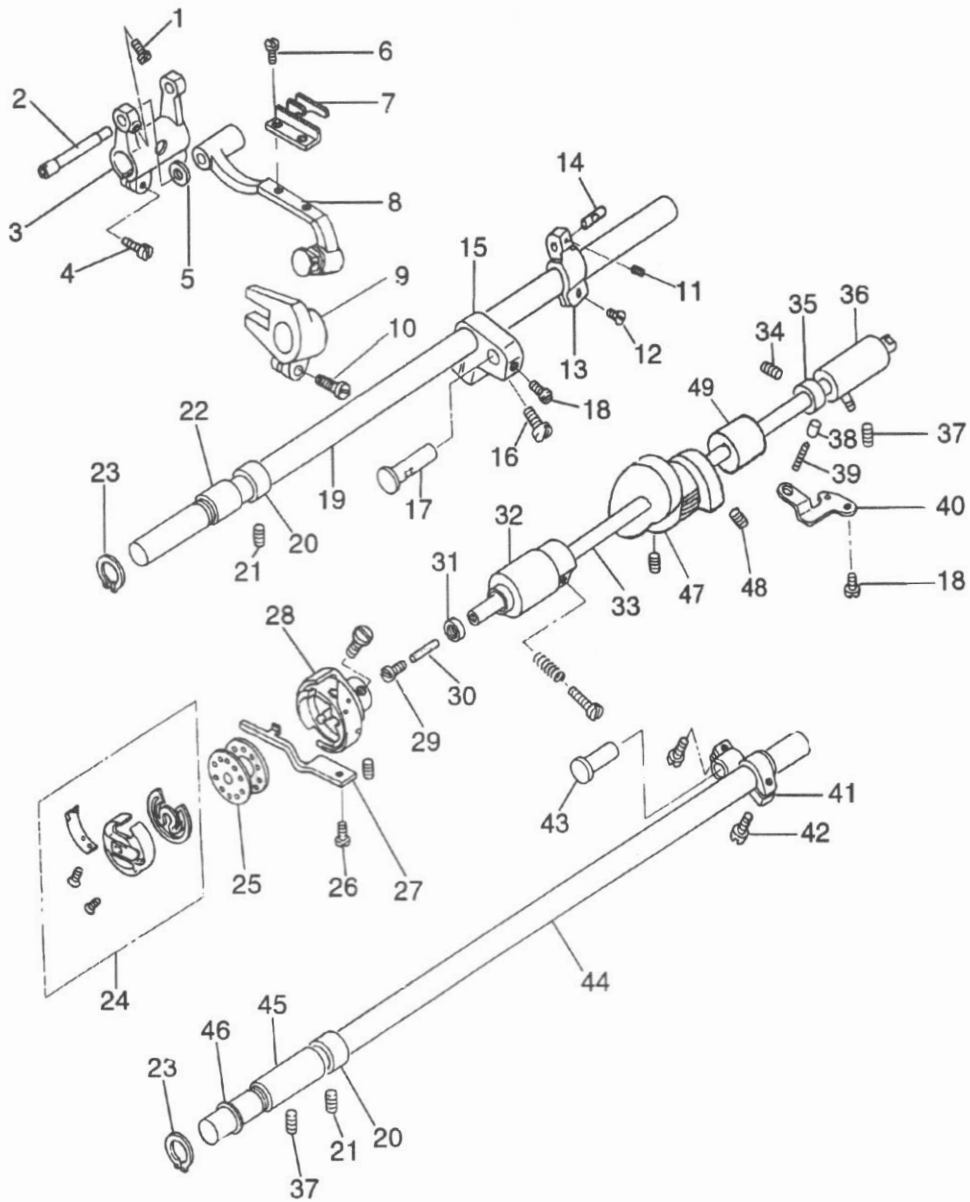
B.SEWING MECHANISM

Fig. No.	Part No.	Description	1	1 D	Remarks
B01	HA300B2090	Rubber plug	1	1	φ8.8
B02	HA100C2100	Felt plug	1	1	
B03	HA100C2080	Needle bar bushing (upper)	1	1	
B04	H2100C2010	Needle bar	1	1	
B05	HA804B0652	Needle bar bushing (lower)	1	1	
B06	HA500C2060	Lower thread guide	1	1	
B07	HA500C2030	Thread guide	1	1	
B08	H2000G2030	Needle	1	1	DP×17 #22
B09	HA100C2170	Set screw	1	1	SM1/8(44)×4.5
B10	HA100C2020	Screw	6	6	SM15/64(28)×10
B11	H1104C0065	Thread take-up lever assay	1	1	
B12	HA100C2190	Screw	2	2	SM11/64(40)×8
B13	HA100C2200	Slide block	1	1	
B14	HA704G0065	Needle bar connecting link guide		1	
B15	HA307C0662	Set screw	4	4	SM1/4(40)×6
B16	HA307C0661	Needle bar crank	1	1	
B17	HA100C2060	Set screw	1	1	SM9/32(28)×13
B18	HA307C0662	Set screw	1	1	SM9/32(28)×14
B19	HA100D2030	Upper shaft bushing (upper)	1	1	
B20	H6013C8001	Upper feed lifting cam	1	1	
B21	H6016C8001	Upper feed rock crank (left)	1	1	
B22	HA100D2040	Upper shaft bushing (middle)	1	1	
B23	HA108G0661	Collar for upper shaft	1	1	
B24	HA105D0662	Screw	2	2	SM1/4(40)×4
B25	HA112D3012	C-type retaining ring	1	1	
B26	HA112D3013	Crank rock	1	1	
B27	H6510D8001	Feed cam	1	1	
B28	HA7311C506	Feed rock	1	1	
B29	HA7311C206	Feed cam cover	1	1	
B30	HA7311C306	Set screw	3	3	
B31	HA300D2020	Upper shaft bushing (right)	1	1	
B32	HA306D0066	Oil seal	1	1	
B33	HA108C0663	Screw	8	8	SM1/4(40)×7
B34	HA113D2112	Upper shaft gear	1	1	Z=27
B35	HA113D2122	Vertical shaft gear (upper)	1	1	Z=18
B36	HA100D2110	Vertical shaft bushing (upper)	1	1	
B37	H6504D8001	Vertical shaft	1	1	
B38	HA600D2010	Vertical shaft bushing (lower)	1	1	
B39	HA113D2222	Vertical shaft gear (upper)	1	1	Z=28
B40	HA113D2212	Lower shaft gear	1	1	Z=21
B41	HA104D0652	Rubber plug	2	2	(φ7.4×10)
B42	H6506D8001	Arm shaft	1	1	
B43	HA100D2080	Screw	1	1	SM11/32(28)×10

B.SEWING MECHANISM

Fig. No.	Part No.	Description	 1	 1 D	Remarks
B44	HA100C2180	Needle bar connecting link guide	1		
B45	H6015C8001	Balance weight	1	1	
B46	HA307C0662	Set Screw	2	2	SM1/4(40)×6

C. FEEDING AND FEED LIFTING & LOWER SHAFT MECHANISM



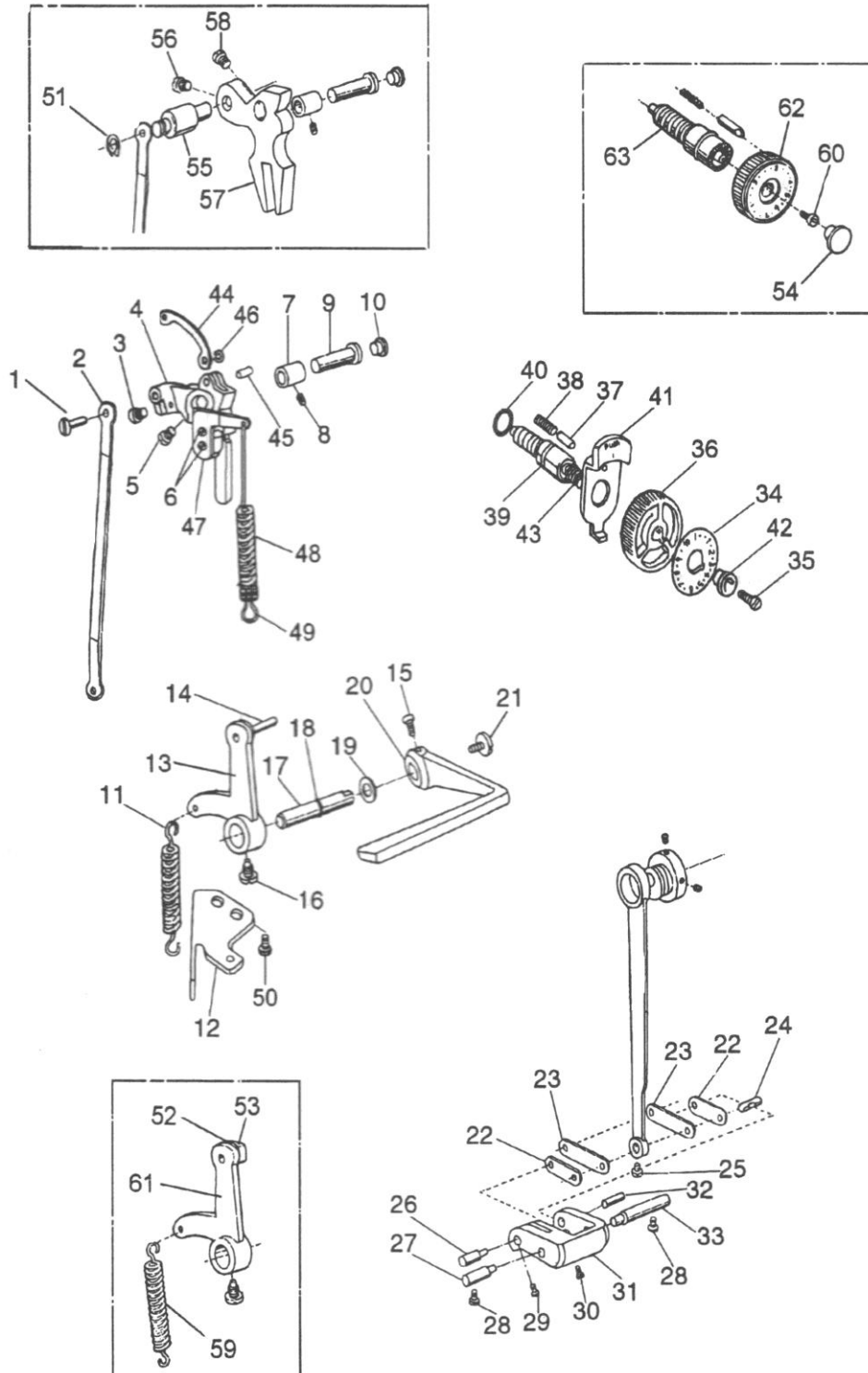
C.FEEDING AND FEED LIFTING & LOWER SHAFT MECHANISM

Fig. No.	Part No.	Description	1	1 D	Remarks
C01	HA100C2190	Screw	1	1	
C02	HA705J0654	Shaft for feed bar	1	1	
C03	HA104G0011	Feed rock shaft crank	1	1	
C04	HA104G0012	Screw	2	2	
C05	HA104G0656	Washer	1	1	
C06	HA104G0654	Screw	2	2	
C07	H6005D8001	Feed gog	1	1	
C08	H6508G8001	Feed bar assay	1	1	
C09	H1204D0651	Feed lifting rock shaft fork	1	1	
C10	HA111G0683	Screw	1	1	
C11	HA7311C806	Screw	1	1	SM11/64(40)×7
C12	HA7311C606	Screw	1	1	SM11/64(40)×15
C13	HA8211C205	Feed rock shaft crank (right)	1	1	
C14	HA706C11B2	Pin	1	1	
C15	H6504G8001	Feed rock shaft crank	1	1	
C16	HA104G0012	Screw	1	1	SM3/16(28)×12
C17	H6505G8001	Pin	1	1	
C18	HA104F0654	Screw	2	2	
C19	HA300G2050	Feed rock shaft	1	1	
C20	HA108G0661	Collar for feed rock shaft	2	2	
C21	HA105D0662	Screw	4	4	
C22	HA100G2040	Bushing for feed rock shaft	1	1	
C23	H007009150	C-type retaining ring	1	1	GB/T894.1 15
C24	HA900E2030	Bobbin case		1	
C24	HA608E0067	Bobbin case	1		
C25	HA600E2060	Bobbin		1	
C25	H1100E2010	Bobbin	1		
C26	HA100E2150	Screw	1	1	
C27	H2100E2010	Hook positioner	1	1	
C28	HA906E0066	Rotating hook		1	
C28	HA600E2070	Rotating hook	1		
C29	HA1111E104	Screw	1	1	
C30	HA1111E204	Oil felt for hook shaft	1	1	
C31	HA106E0071	Oil seal	1	1	
C32	HA100E2040	Bushing for hook shaft (left)	1	1	
C33	HA604E0651	Hook shaft	1	1	
C34	HA305E0662	Screw	2	2	
C35	HA305E0661	Collar for hook shaft	1	1	
C36	HA311E0671	Bushing for hook shaft (right)	1	1	
C37	HA100C2020	Screw	2	2	
C38	HA300E2100	Plunger	1	1	
C39	HA300E2110	Coil spring	1	1	
C40	HA900M0010	Guide plate		1	

C.FEEDING AND FEED LIFTING & LOWER SHAFT MECHANISM

Fig. No.	Part No.	Description	 1	 1 D	Remarks
C40	HA600E2020	Guide plate	1		
C41	HA306G0671	Feed lifting rock shaft crank (right)	1	1	
C42	HA104G0012	Screw	2	2	
C43	HA100G2070	Pin	1	1	
C44	HA704K0652	Feed lifting rock shaft	1	1	
C45	HA100G2120	Bushing for feed lifting shaft	1	1	
C46	HA100G2130	Washer	1	1	
C47	HA710E0691	Thread trimmer cam		1	
C48	HA710E0692	Screw		2	
C49	HA704B0653	Bushing for hook shaft (middle)		1	

D. STITCH REGULATOR MECHANISM



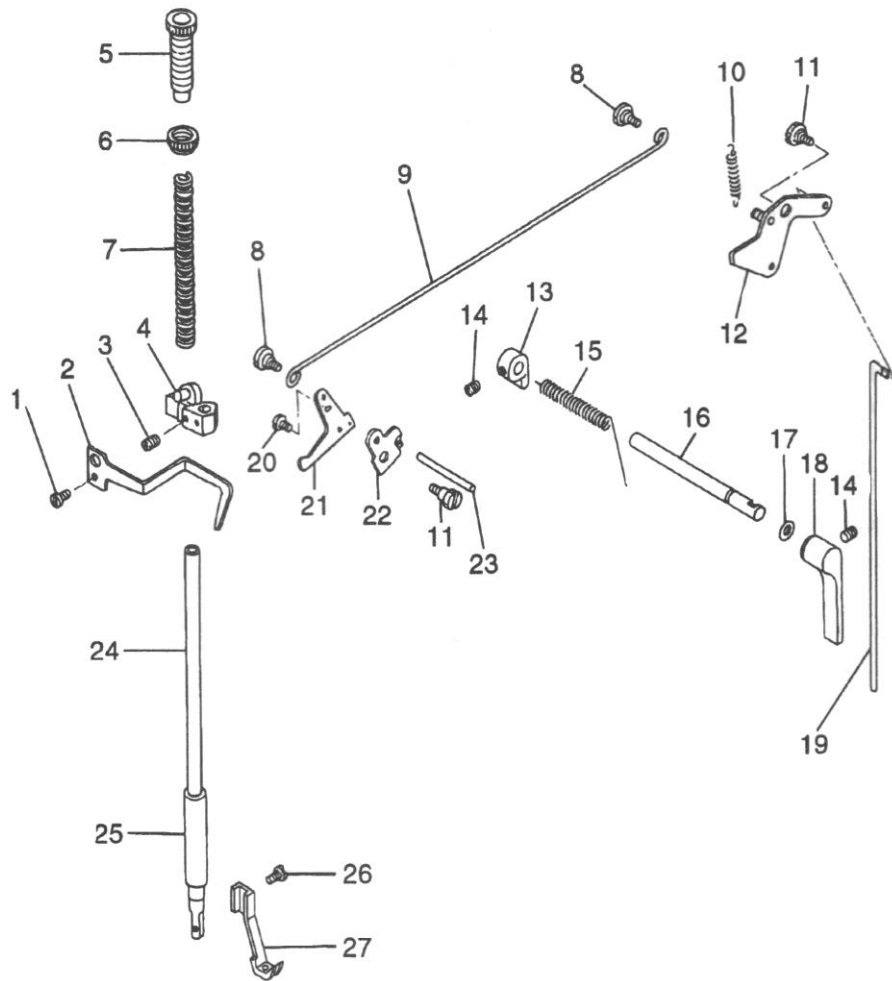
D.STITCH REGULATOR MECHANISM

Fig. No.	Part No.	Description	1	1 D	Remarks
D01	HA700C2060	Pin		1	
D02	HA7311C406	Connecting rod stud	1	1	
D03	HA111G0683	Screw		1	
D04	HB5251F081	Feed regulator		1	
D05	HA113F0684	Screw		1	SM15/64(28)×10
D06	HA100C2190	Screw		2	
D07	HA704B0655	Bushing for feed regulator	1	1	
D08	HA100C2020	Screw	1	1	SM15/64(28)×10
D09	HA100F2040	Pin	1	1	
D10	HA700B2120	Rnbber plug	1	1	(φ20×6)
D11	H2600E2050	Spring		1	
D12	HA800F2010	Spring holder		1	
D13	H2605E0661	Crank		1	
D14	H2207D0671	Slide block pin		1	
D15	04F0654	Screw	1	2	SM15/64(28)×10
D16	HA100F2130	Screw	1	1	SM15/64(28)×14
D17	HA113F3021	Feed reversing lever shaft	1	1	
D18	HA113F3022	O-ring	1	1	9×1.9
D19	HA100F2110	Spring washer	1	1	
D20	HA309F0671	Feed reversing lever	1	1	
D21	HA113F0683	Screw	1	1	SM3/16(28)×6.5
D22	HA706C1191	link (short)	2	2	
D23	HA8211C305	Link (long)	2	2	
D24	HA706C11B1	Link stud	1	1	
D25	HA7311C806	Screw	1	1	
D26	HA7311CF06	Link stud	1	1	
D27	HA700C2050	Feed regulator shaft (left)	1	1	
D28	HA111G0683	Screw	2	2	
D29	HA7311CC06	Screw	1	1	
D30	HA7311CD06	Screw	1	1	
D31	HA7311CG06	Stitch length adjusting crank	1	1	
D32	HA7311CE06	Link stud	1	1	
D33	HA700C2040	Feed regulator shaft (right)	1	1	
D34	HB5253F081	Plate for stitch length		1	
D35	HA720F0686	Screw		1	SM3/16(28)×18
D36	HA7421F120	Dial		1	
D37	HA100F2080	Stopper pin	1	1	
D38	HA100F2090	Spring for stopper pin	1	1	
D39	HA720F0681	Screw bar		1	
D40	HA109F0674	O-ring	1	1	14×2.4
D41	HA720F0683	Stopper pin releasing lever		1	
D42	HA720F0685	Bushing		1	
D43	HA720F0687	Coil spring		1	

D.STITCH REGULATOR MECHANISM

Fig. No.	Part No.	Description	1	1 D	Remarks
D44	HB5255F081	Link for resrve feed		1	
D45	H2204D0652	Pin		1	
D46	H007013040	E-type ring		1	GB/T896 4
D47	H2600E2020	Spring retainer		1	
D48	HA806C0674	Coil spring		1	
D49	HA806C0675	Spring holder		1	
D50	HA800F2020	Screw		1	
D51	H007013050	E-type ring	1		GB/T896 5
D52	HA1511F115	Slide block pin	1		
D53	HA1511F215	Slide block	1		
D54	HA300F2050	Rubber piug	1		
D55	H1204E0652	Stitch length adjusting swing shaft	1		
D56	HA100C2190	Screw	1		
D57	H1404E0651	Feed regulator	1		
D58	HA104F0654	Screw	4		
D59	HA115F0692	Spring	1		
D60	HA109F0673	Screw	1		
D61	HA115F0691	Crank	1		
D62	H3100E2070	Dial	1		
D63	HA506F0671	Screw bar	1		

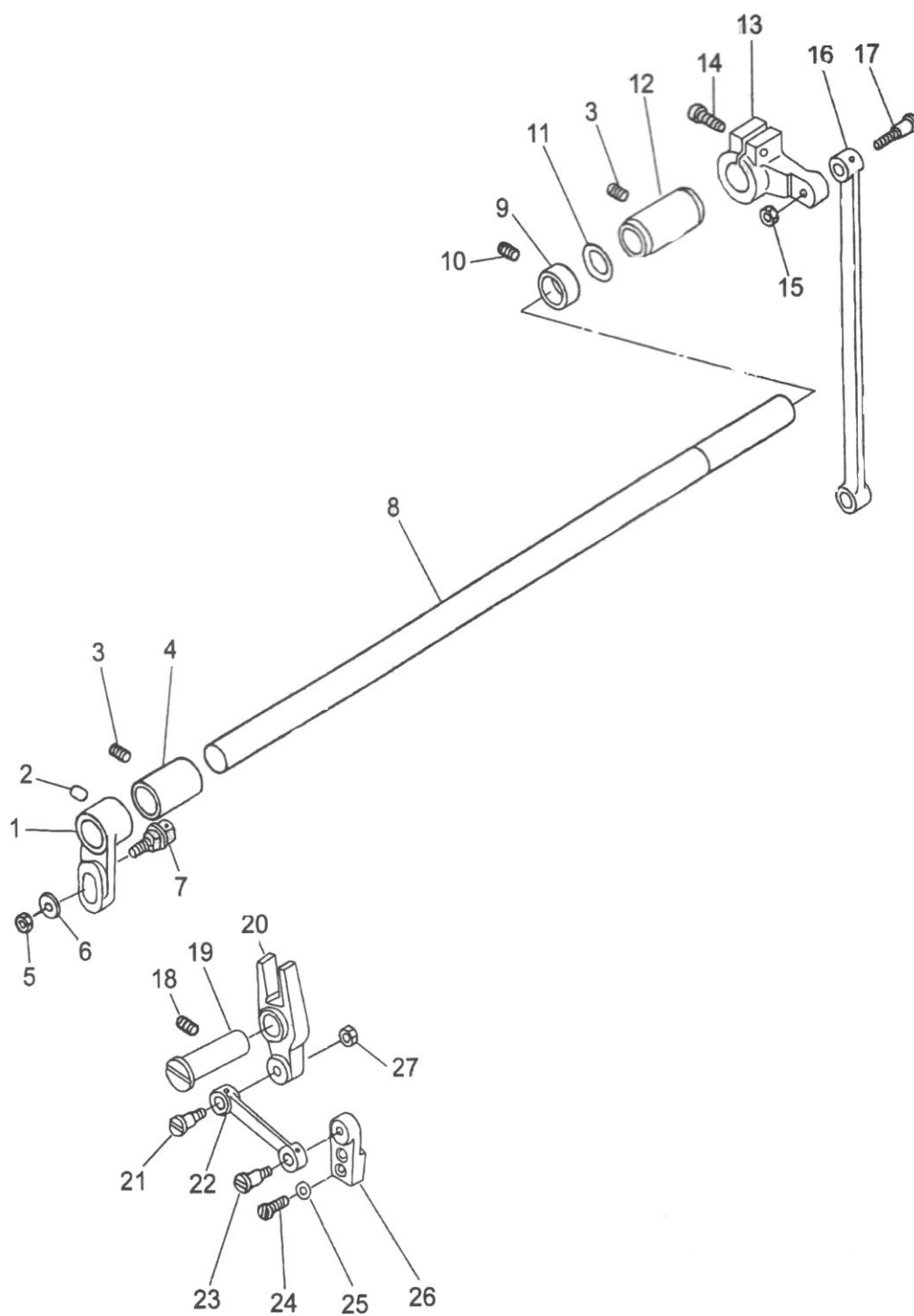
E. PRESSER FOOT MECHANISM



E.PRESSER FOOT MECHANISM

Fig. No.	Part No.	Description	1	1 D	Remarks
E01	HA300B2130	Screw	1	1	SM11/64(40)×5.5
E02	HA300H2120	Thread guide	1	1	
E03	HA3411D308	Presser bar guide bracket	1	1	SM15/64(28)×7
E04	H2305H0671	Screw	1	1	
E05	H2005I0065	Thumb screw	1	1	
E06	HA117H0692	Nut	1	1	
E07	H1100H2020	Presser bar spring	1	1	
E08	HA107H0662	Screw	2	2	SM3/16(28)×3.5
E09	HA107H0663	Knee lifter lever	1	1	
E10	H6017H8001	Spring	1	1	
E11	HA100H2050	Stud bolt	2	2	SM15/64(28)×10
E12	H6016H8001	Knee lifter lever	1	1	
E13	H6010H8001	Presser bar lifting cam	1	1	
E14	HA100C2090	Screw	2	2	
E15	H6008H8001	Spring	1	1	
E16	H6509H8001	Presser bar lifting shaft	1	1	
E17	HA300H2080	O-ring	1	1	
E18	H6006H8001	Presser bar lifter	1	1	
E19	HA306H0671	Knee lifter connecting rod	1	1	
E20	HA107H1013	Spring	1	1	SM11/64(40)×6.5
E21	HA107H1011	Knee lifter lever (left)	1	1	
E22	HA305H6611	Tension releasing cam	1	1	
E23	HA100H2060	Thread releasing pin	1	1	
E24	H2000I2010	Presser bar	1	1	
E25	HA300H2090	Bushing for presser bar	1	1	
E26	HA100H2150	Screw	1	1	SM9/64(40)×11
E27	H2205F0651	Presser foot	1	1	

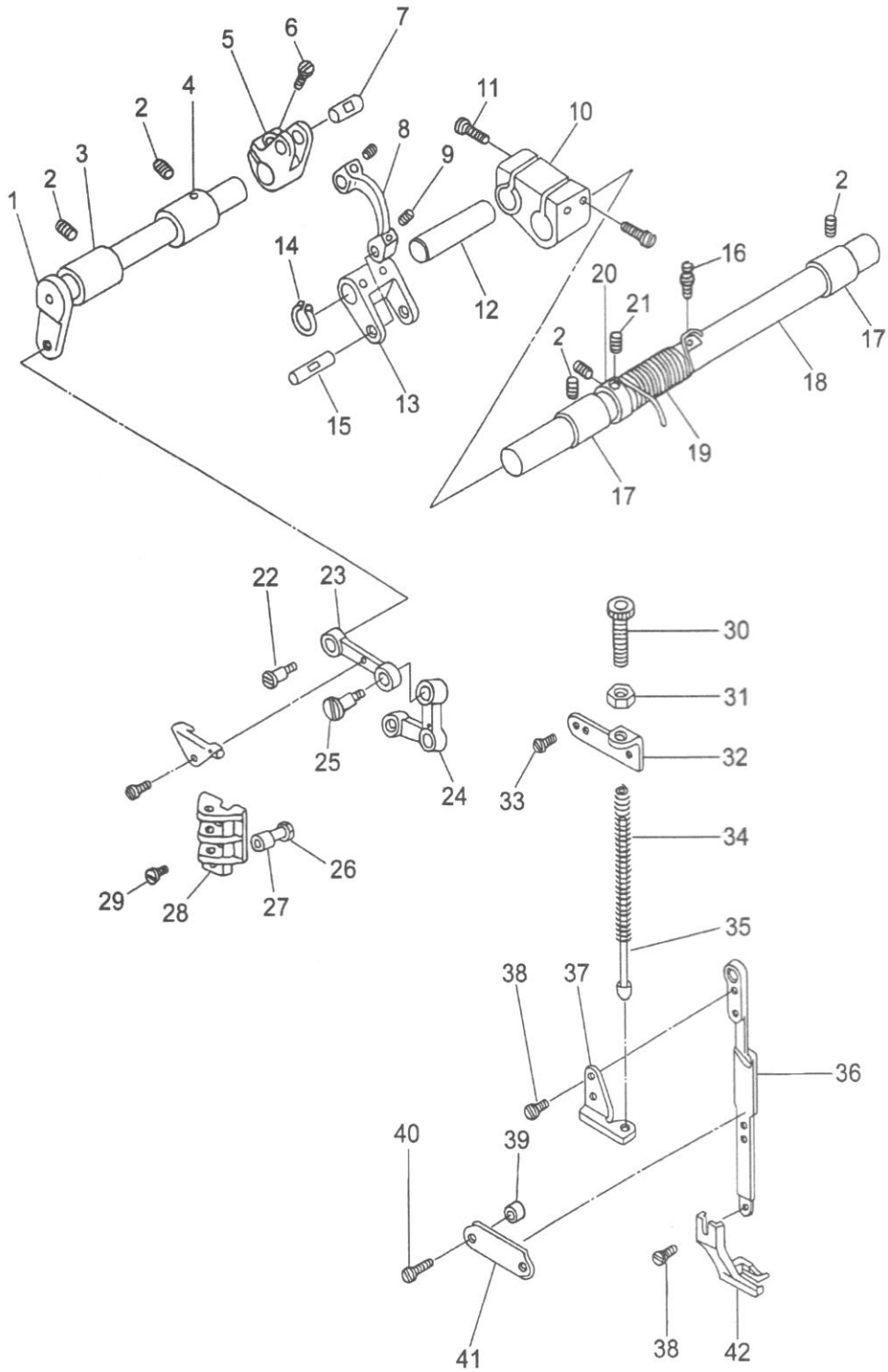
F. TOP FEED MECHANISM



F.TOP FEED MECHANISM

Fig. No.	Part No.	Description	1	1 D	Remarks
F01	H2009N0065	Upper feed rock shaft crank (left)	1	1	
F02	H602040240	Pin	1	1	GB/T117 A4×24
F03	HA100B2110	Screw	2	2	
F04	H2100I2060	Bushing for upper feed rock shaft crank	2	2	
F05	H2013N0067	Nut	1	1	
F06	H2013J0065	Washer	1	1	
F07	H2121I0065	Feed connecting slick blo	1	1	
F08	H2009N0066	Upper feed rock shaft	1	1	
F09	HA108G0661	Collar	1	1	
F10	HA105D0662	Screw	2	2	
F11	H6018F8001	O-ring	1	1	
F12	H6505I8001	Bushing for upper feed rock shaft crank	1	1	
F13	H6506I8001	Upper feed rock shaft crank (right)	1	1	
F14	H6017F8001	Screw	1	1	SM15/64(28)×18
F15	H2010J0066	Nut	1	1	
F16	H6505I8001	Feed driver connecting rod	1	1	
F17	H2012N0066	Screw	1	1	
F18	H2100I2070	Screw	1	1	
F19	H2013N0066	Hinge pin	1	1	
F20	H2013N0069	Feed connecting lever	1	1	
F21	H2008N0065	Screw	1	1	
F22	H2013N0070	Walking foot connecting rod	1	1	
F23	H2004J0662	Screw	1	1	SM1/4(40)×5
F24	H2004J0067	Screw	2	2	
F25	HA100I2050	Spring washer	2	2	
F26	H2004J0661	Feed arm	1	1	
F27	H2008N0066	Nut	1	1	

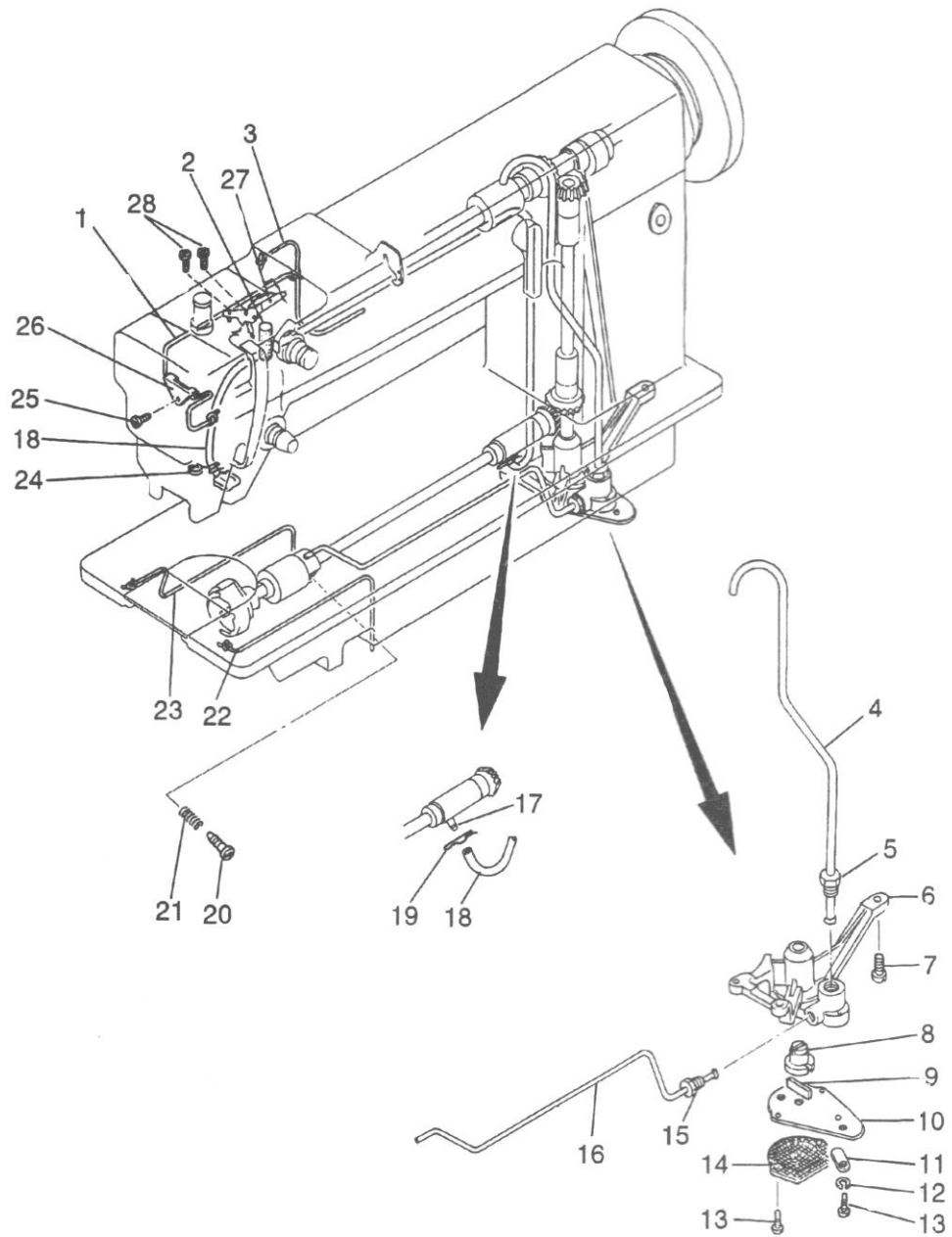
G. TOP FEED MECHANISM



G.UPPER FEED LIFTING ROCK SHAFT MECHANISM

Fig. No.	Part No.	Description	1	1 D	Remarks
G01	H6005G8001	Upper feed lifting rock shaft	1	1	
G02	HA100B2110	Screw	4	4	SM11/64(40)×5.5
G03	H6006G8001	Bushing for upper feed lifting rock shaft	1	1	
G04	H6007G8001	Bushing for upper feed lifting rock shaft	1	1	
G05	H6009G8001	Upper feed lifting rock crank	1	1	
G06	HA800F2020	Screw	1	1	SM15/64(28)×13.5
G07	H6010G8001	Upper feed lifting rock crank shaft	1	1	
G08	H6011G8001	Link	1	1	
G09	H6039G8001	Screw	2	2	SM11/64(40)×3.8
G10	H6013G8001	Upper feed regulator bracket	1	1	
G11	HA7311C606	Screw	4	4	SM11/64(40)×15
G12	H6014G8001	Shaft for upper feed lifting rock shaft	1	1	
G13	H6015G8001	Crank for upper feed lifting rock crank	1	1	
G14	H007009100	C-type ring	1	1	GB/T894.1 10
G15	H6016G8001	Pin	1	1	
G16	H6020G8001	Cam follower	1	1	SM15/64(28)×10
G17	HA100G2040	Bushing for upper feed shaft	2	2	
G18	H6504I8001	Upper feed regulator shaft	1	1	
G19	H6021G8001	Spring	1	1	
G20	HA108G0661	Collar	1	1	
G21	HA105D0662	Screw	2	2	SM1/4(40)×4
G22	H2004J0662	Screw	2	2	SM1/4(40)×5
G23	H6023G8001	Link for feed lifting rock shaft	1	1	
G24	H2100I2020	Bell crack	1	1	
G25	H2004J0653	Screw	1	1	
G26	H2004J0655	Feed crank guide shaft	1	1	
G27	H2000J2030	Lifting presser spring guide pin	1	1	
G28	H2000J2020	Lifting presser plate	1	1	
G29	H2000I2050	Screw	2	2	
G30	H2010J0065	Screw	1	1	
G31	H2010J0066	Nut	1	1	
G32	H6032G8001	Presser regulating bracket	1	1	
G33	HA300C2030	Screw	2	2	
G34	H6038G8001	Spring	1	1	
G35	H2000J2040	Spring guide bar assy	1	1	
G36	H2004J0654	Walking foot guide link	1	1	
G37	H6033G8001	Spring guide bar holder	1	1	
G38	HA100H2150	Screw	3	3	
G39	H2000N0040	Washer	2	2	
G40	HA111G0683	Screw	2	2	
G41	H2000N0030	Walking foot guide barcket	1	1	
G42	H2000N0010	Walking foot	1	1	

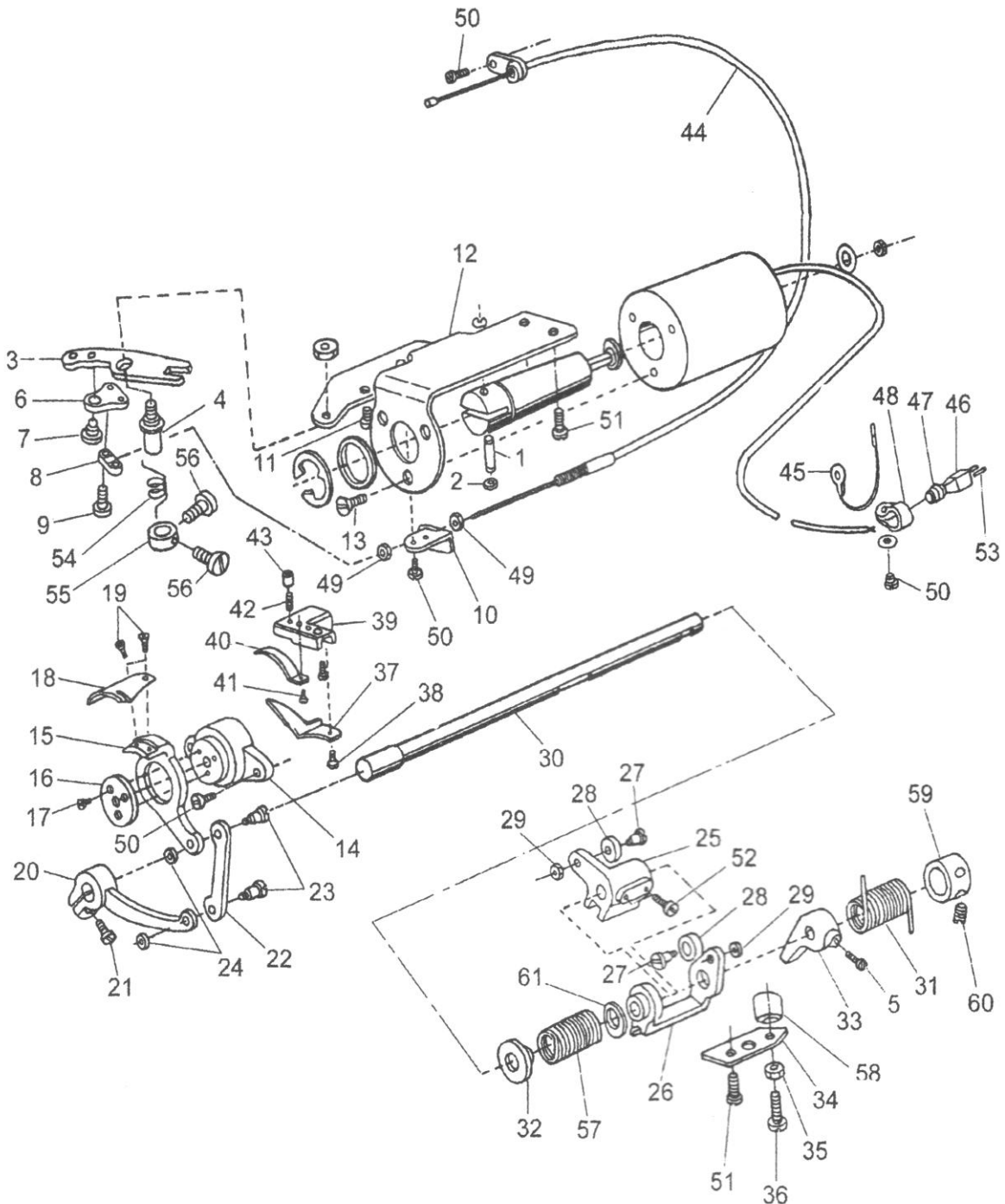
H. OIL LUBRICATION MECHANISM



H.OIL LUBRICATION MECHANISM

Fig. No.	Part No.	Description	1	1 D	Remarks
H01	H6017G8001	Oil wick	1	1	
H02	HA700B2150	Oil felt	1	1	
H03	H6019I8001	Oil wick	1	1	
H04	HA116I0681	Upper shaft oil tube	1	1	
H05	HA116I0682	Bushig	1	1	
H06	H6006I8001	Oil pump	1	1	
H07	HA100I2090	Screw	3	3	
H08	H6010I8001	Rooter	1	1	
H09	H6011I8001	slider	1	1	
H10	H6012I8001	Oil pump cover		1	
H10	H6507J8001	Oil pump cover	1		
H11	HA100I2070	Oil adjusting plate	1	1	
H12	HA100I2050	Spring washer	1	1	3.5
H13	HA100I2040	Screw	3	3	
H14	HA111I0065	Oil pump filter	1	1	
H15	HA113I0661	Bushing	1	1	
H16	HA113I0662	Lower shaft oil tube	1	1	
H17	HA110E0672	Oil pipe for lower shaft bushing	1	1	
H18	HA305I0661	Oil return tube	1	1	3×650
H19	HA300I2030	Oil return tube cilp	1	1	
H20	HA100E2050	Oil adjusting screw	1	1	
H21	HA100E2060	Oil adjusting spring	1	1	
H22	HA305G0664	Oil wick	1	1	
H23	HA304G0655	Oil wick	1	1	
H24	HA300I2060	Oil felt holder	1	1	
H25	HA106B0676	Screw	1	1	
H26	H6009I8001	Oil wick holder	1	1	
H27	H3004L0065	Oil wick holder	1	1	
H28	H2200H2150	Screw	2	2	

I. UPPER FEED ROCK SHAFT MECHANISM



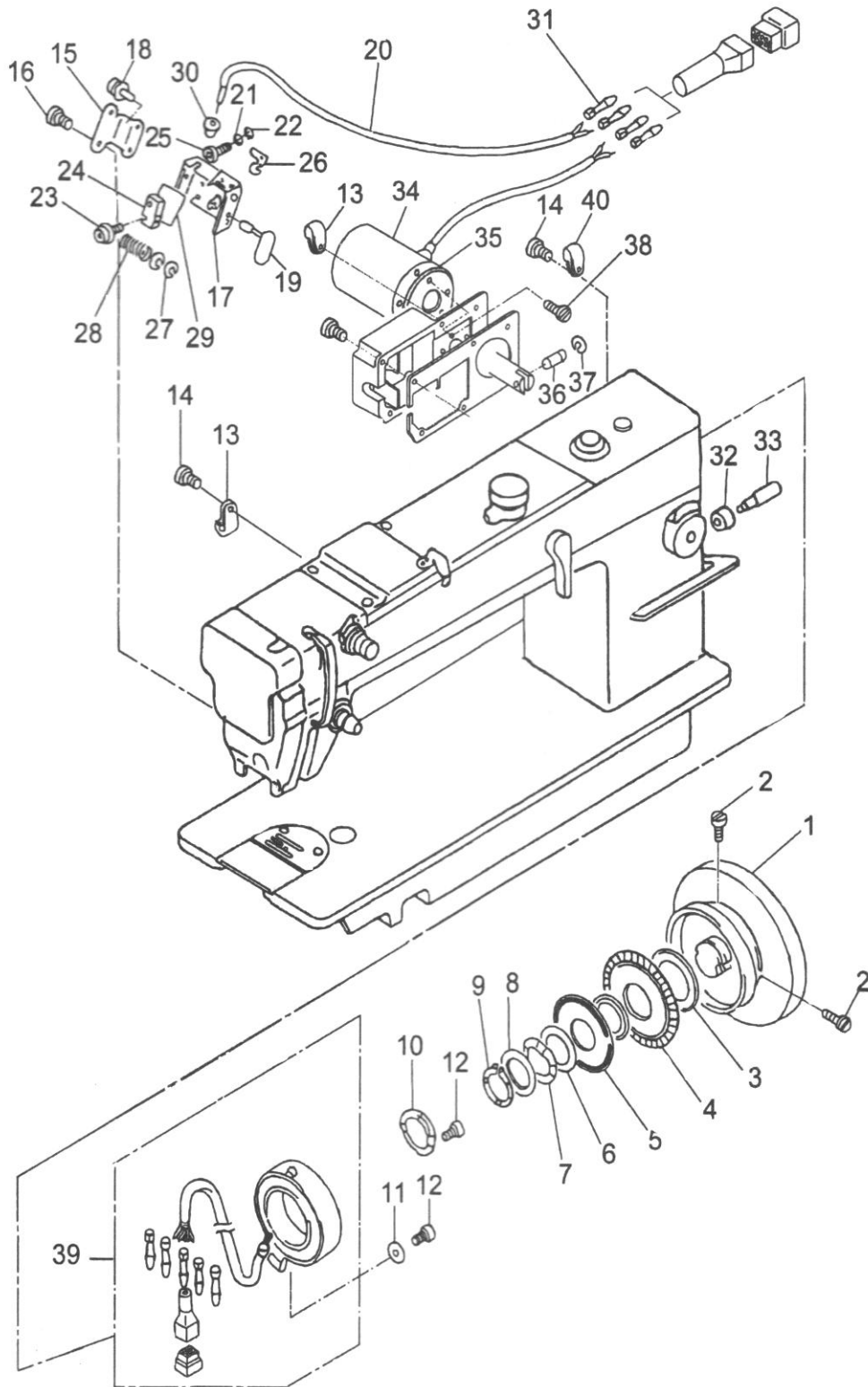
I.UPPER FEED ROCK SHAFT MECHANISM

Fig. No.	Part No.	Description	1	1 D	Remarks
I01	HA712N0692	Link stud		1	
I02	H007013040	E-type ring 4		2	GB/T896 4
I03	HA712N0698	Thread trimmer driving lever		1	
I04	HA712N0695	Stud screw		1	SM3/16(28)×6
I05	HA113F0684	Set screw		1	
I06	HA712N6910	Flexible wire bracket		1	
I07	HA712N0699	Set screw		1	SM11/64(40)×4
I08	HA712N6911	Link bracket		1	
I09	HA712N6912	Set screw		2	SM1/8(44)×7
I10	HA712N6913	Holder		1	
I11	HA100E2150	Set screw		1	
I12	HA7511N212	Solenoid bracket		1	
I13		P-type screw		3	
I14	HA704N1111	Knife holding bracket saddle		1	
I15	HA904N1111	Knife holding bracket saddle (left)		1	
I16	HA704N1113	Washer		1	
I17	HA704N1114	Set screw		3	
I18	HA9111N204	Movable knife (left)		1	
I19	HA7111N704	Set screw		2	
I20	HA7111N604	Knife driving crank		1	
I21	HA719B7011	Set screw		1	
I22	HA7111N404	Link		1	
I23	HA7111N204	Set screw		2	
I24	HA7111N304	Nut		2	
I25	HA7211N106	Cam follower crank 1		1	
I26	HA7211N206	Cam follower crank 2		1	
I27	HA7221N206	Roller stud		2	
I28	HA7221N106	Roller		2	
I29	HA706N0663	Nut		2	
I30	HA900N0020	Knife driving shaft		1	
I31	HA700N0110	Coil spring		1	
I32	HA700N0050	Brshing		1	
I33	HA906N0661	Stopper lever		1	
I34	HA710N0682	Lever stopper plate		1	
I35	HA710N0683	Nut		1	SM15/64(28)×23
I36	HA7411N110	Set screw		1	
I37	HA9121N204	Thread finger		1	
I38	HA7311CH06	Set screw		3	
I39	HA7121N104	Bracket for fixed blade		1	
I40	HA9121N104	Fixed blade		1	
I41	HA7121N304	Set screw		1	
I42	HA7121N604	Set screw		1	
I43	HA7121N704	Nut		1	

I. UPPER FEED ROCK SHAFT MECHANISM

Fig. No.	Part No.	Description	1	1 D	Remarks
I44	HA713N0702	Flexible wire		1	
I45	HA705Q0065	Grounded wire		1	
I46	HA700Q0010	Connector plug		1	
I47	HA704O0657	Gasket		1	
I48	HA708P0668	Cord holder HP-3N		1	
I49	H003002050	Nut M5		2	GB/T6170 M5
I50	HA300B2170	Set screw		5	
I51	HA700N0080	Set screw		4	SM15/64(28)×12
I52	HA113F0684	Set screw		2	
I53	HA7641B319	Adaptor		1	
I54	HA712N0697	Spring for thread trimmer driving lever		1	
I55	HA712N0696	Collar for thread trimmer driving lever		1	
I56	HA7311CC06	Set screw		2	
I57	HA700N0040	Coil spring		1	
I58	HA7411N210	Dead block		1	
I59	HA715N0711	Collar with screw		1	
I60	HA105D0662	Set screw		1	
I61	HA706N0664	Washer		1	

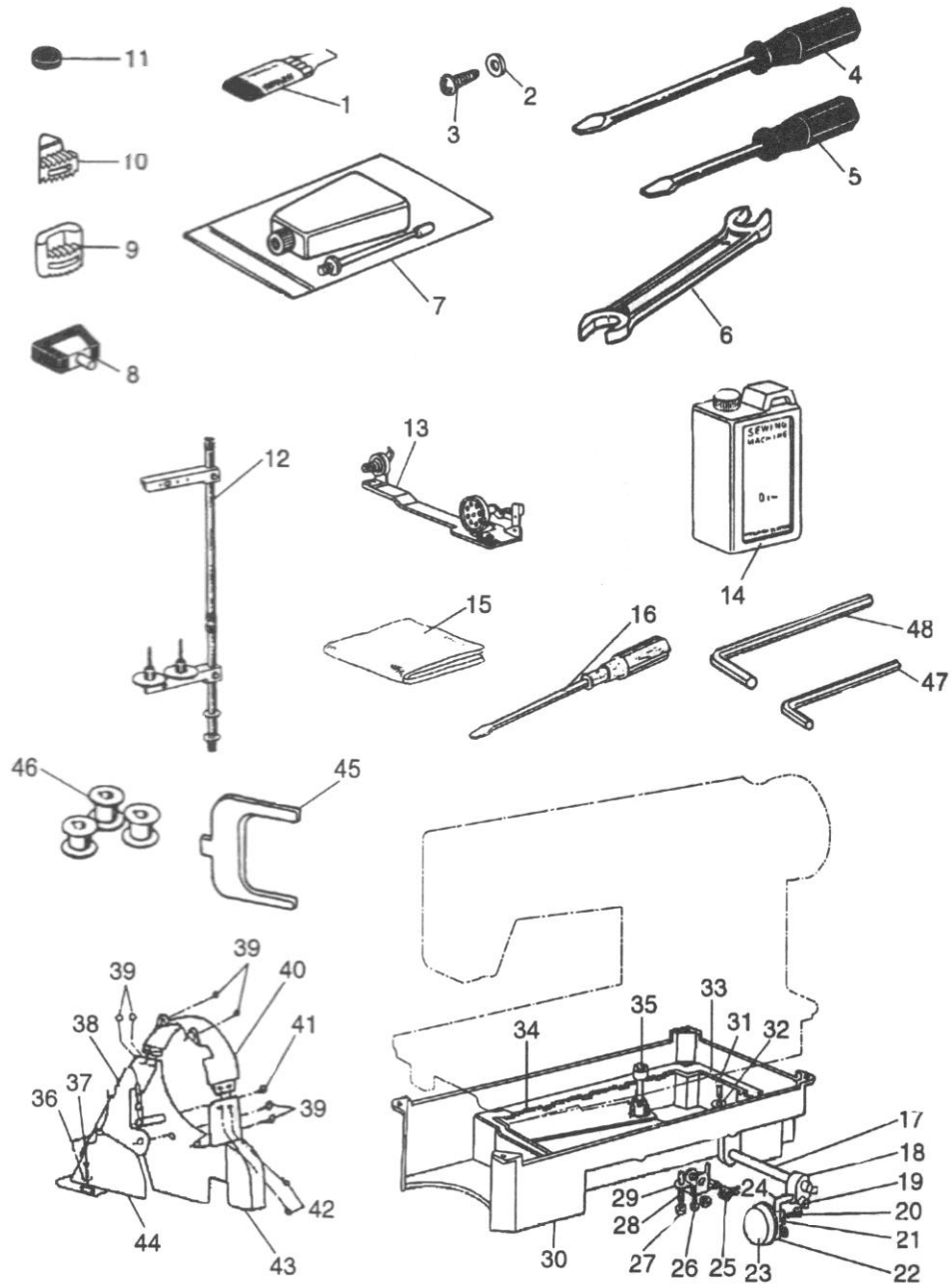
J. TOUCH BACK MECHANISM & DETECTOR MECHANISM



J.TOUCH BACK MECHANISM & DETECTOR MECHANISM

Fig. No.	Part No.	Description	 1	 1 D	Remarks
J01	H2204I0651	Pulley		1	
J01	H2000C2040	Pulley	1		
J02	HA110D0672	Screw	2	2	
J03	HA700R0030	Spacer 1		2	
J04	HA700R0010	Speed command disc 1		1	
J05	HA700R0020	Speed command disc 2		1	
J06	HA700R0040	Spacer 2		1	
J07	HA700R0050	Supporter spring		1	
J08	HA700R0060	Washer		1	
J09	H007009300	C-type ring		1	GB/T894.1 30
J10	HA703R0066	Detector bracket assay		1	
J11	HA703R0067	Washer		1	
J12	HA300C2030	Screw		3	
J13	HA708P0668	Cord holder		2	
J14	HA300B2170	Screw		2	
J15	H6005K8001	Bracket		1	
J16	HA300B2160	Screw		2	SM11/64(40)×10
J17	H2205I0661	Bracket for touch switch		1	
J18	HA7221P508	Screw		2	
J19	HA704O0021	Push buton		1	
J20	HA7161O104	Vinyl cap-trire cable for touch switch		1	
J21	HA704O6512	Washer		2	
J22	HA704O6511	Washer		2	
J23	HA704O6510	Screw		2	
J24	HA704O0655	Micro switch		1	
J25	HA704O0659	Screw		2	
J26	HA704O0654	Spring plate		1	
J27	H007013030	E-type ring		2	GB/T896 3
J28	HA704O0653	Spring		1	
J29	HA704O0658	Insulator set		1	
J30	HA704O0657	Rubber plug		1	
J31	HA7641B319	Terminal pin		2	
J32	H2204G0652	Rubber plug		1	
J33	H2204G0651	Screw		1	
J34	H2206I0673	Solenoid assay for touch black		1	
J35	HB5256F081	Washer		1	
J36	HA712N0692	Pin		1	
J37	H007013040	E-type ring		1	GB/T896 4
J38	HA300C2030	Screw		4	
J39	HA700R0000	Detector bracket assay		1	
J40	HA700Q0050	Cord holder		1	

K. ACCESSORIES



K.ACCESSORIES

Fig. No.	Part No.	Description	1	1 D	Remarks
K01		Needle	4	4	DP×17 #22
K02	HA300J2230	Washer	2	2	5
K03	H801045200	Screw	2	2	GB/T99 4.5×20
K04	HA300J2200	Screw driver (middle)	1	1	
K05	HA300J2210	Screw driver (small)	1	1	
K06	HA300J2220	Spanner	1	1	
K07	HA100J2110	Oil with oiler	2	1	
K08	HA110J0701	Hinge with rubber cushion	2	2	
K09	HA300J2050	Vibration preventing rubber (large)	2	2	
K10	HA300J2060	Vibration preventing rubber (small)	2	2	
K11	HA100J2120	Magnet block	1	1	
K12	HA200J2030	Thread stand assay	1	1	
K13	HA905S0066	Bobbin winder assay	1	1	
K14	HA100J2170	Oil tank	1	1	
K15	HA100J2180	Cover	1	1	
K16	HA300J2070	Screw driver (large)	1	1	
K17	HA300J2160	Knee lifter shaft	1	1	
K18	HA106J0663	Knee lifter driving crank	1	1	
K19	HA300J2180	Screw	2	2	
K20	HA106J0667	Screw	1	1	
K21	HA106J0666	Knee lifter plate stopper	1	1	
K22	HA106J0665	Knee lifter plate	1	1	
K23	HA106J0668	Knee lifter cover	1	1	
K24	HA106J0662	Knee lifter shaft	1	1	
K25	HA104J0657	Coil spring	1	1	
K26	HA110D0672	Screw	1	1	
K27	HA104J6510	Nut	2	2	
K28	HA104J0659	Screw	1	2	
K29	HA104J0658	Knee lifter	1	1	
K30	HA304J0651	Oil reservoir	1	1	
K31	HA104J0652	Screw	1	1	
K32	HA104J0653	Washer	1	1	
K33	HA104J0654	Gasket for oil reservoir (small)	1	1	
K34	HA104J0655	Gasket for oil reservoir (big)	1	1	
K35	HA106J0661	Knee lifter lifting rod	1	1	
K36	HA300J2230	Washer	2	2	5
K37	H801045200	Screw	2	2	GB/T99 4.5×20
K38	H2008O0701	Belt cover	1	1	
K39	HA300B2170	Screw	6	6	SM11/64(40)×8
K40	H2008O0671		1	1	
K41	HA300J2250	Screw	1	1	M4×12.5
K42	HA300J2280	Screw	2	2	SM15/64(28)×8
K43	H2008O0067	Belt cover	1	1	

K.ACCESSORIES

Fig. No.	Part No.	Description	1	1 D	Remarks
K44	HA305J0665	Belt cover	1	1	
K45	HA704S0654	Detector adjusting plate		1	
K46	HA600E2060	Bobbin case		3	
K46	H1100E2010	Bobbin case	3		
K47	HB00001020	Hexdgon socket screw key 2mm		1	GB/T5356 2
K48	HB00001030	Hexdgon socket screw key 3mm		1	GB/T5356 3