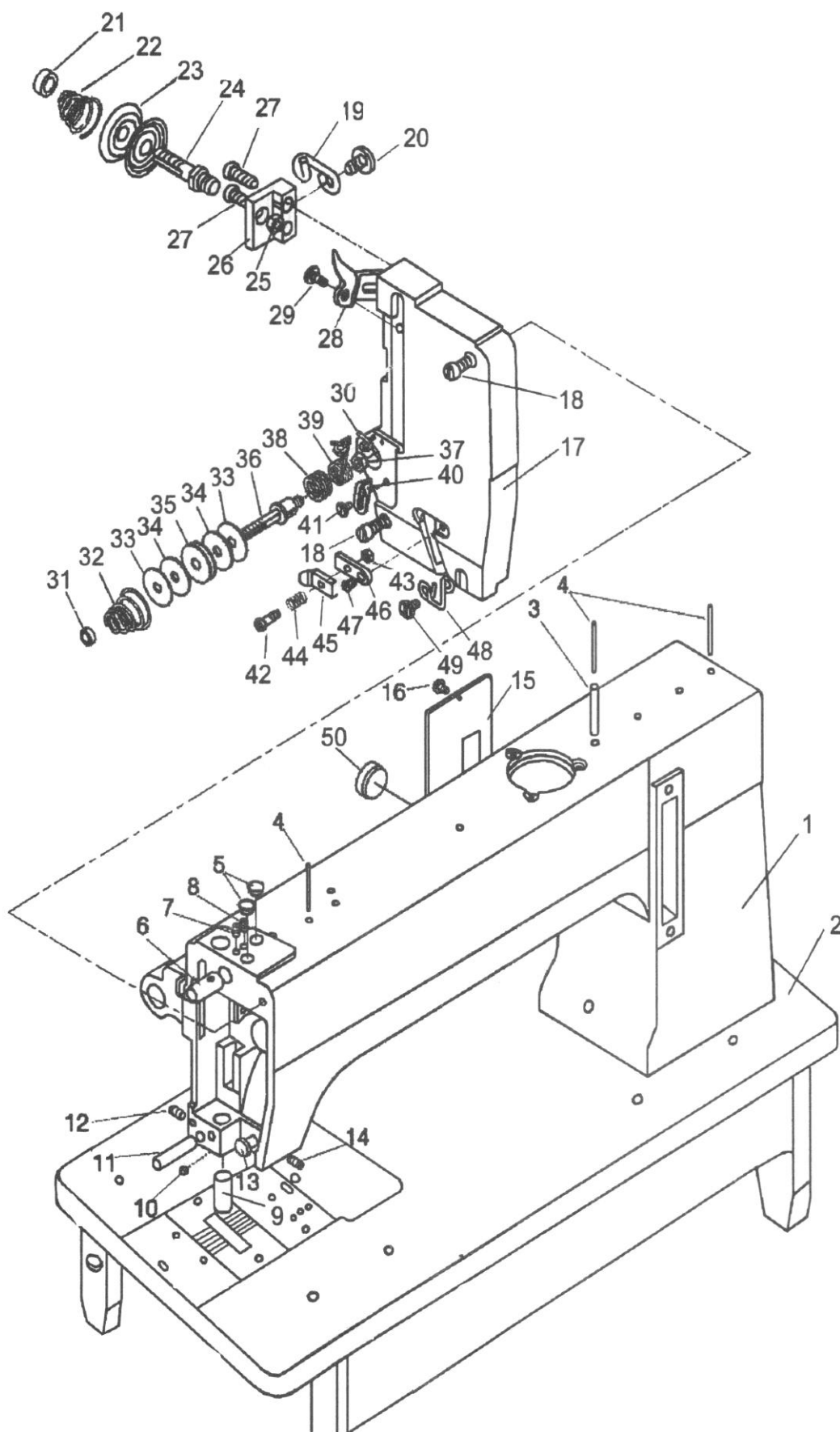


**WYKAZ CZĘŚCI**  
**DO MASZINY HIGHLEAD**  
**MODEL**  
**GA0688-1**

# A.ARM BED AND ITS ACCESSORIES



## A.ARM BED AND ITS ACCESSORIES

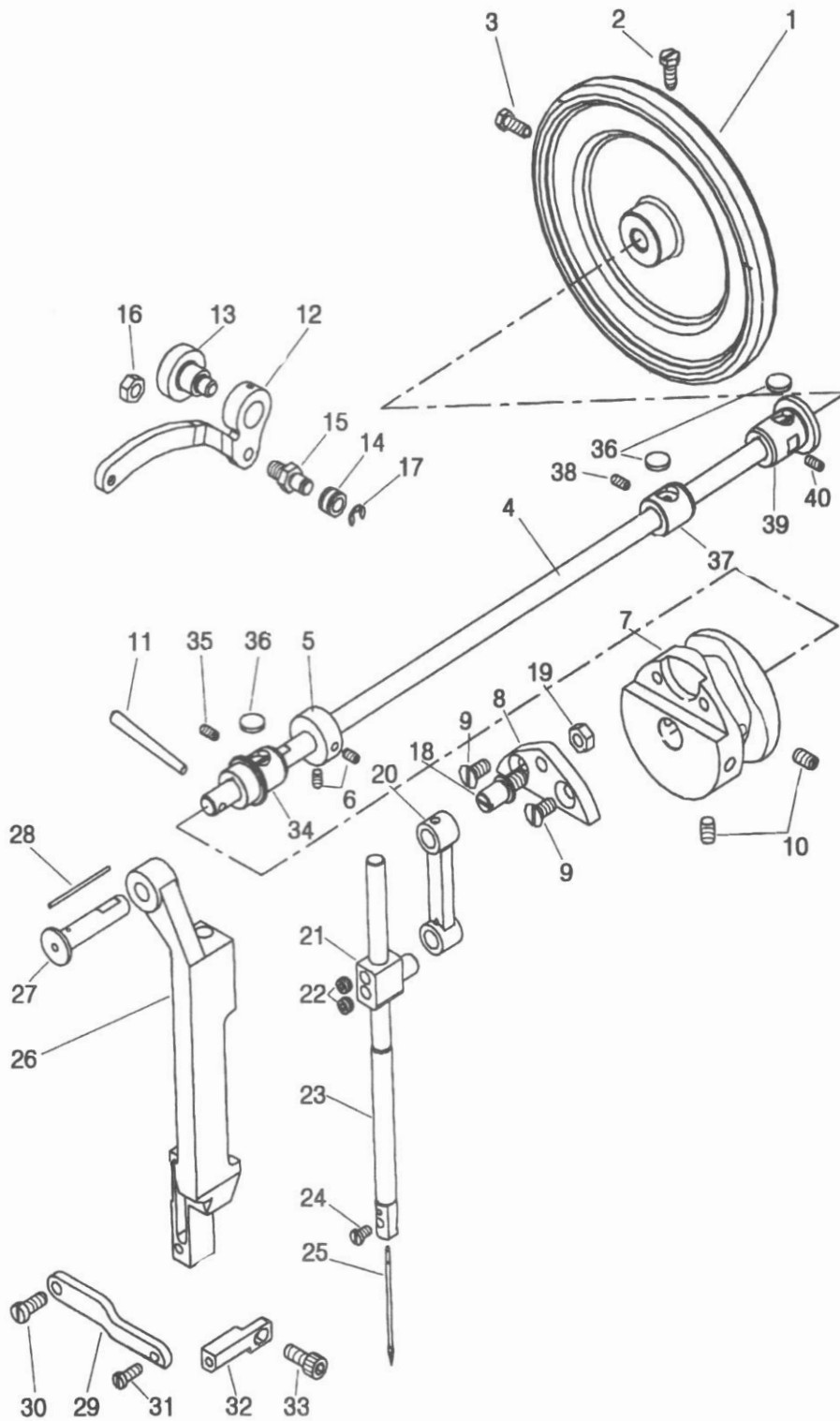
Fig. No.	Part No.	Description	Pcs.	Remarks
A01	H7208B8001	Arm	1	
A02	H0308B8001	Bed	1	
A03	H7215B8001	Oil pipe	1	
A04	H7216B8001	Oil wick	3	
A05	HA307B0674	Rubber plug	2	
A06	H7217B8001	Needle bar guide bracket stud bushing	1	
A07	HA100C2020	Set Screw	1	SM15/64(28)×10
A08	HA100C2020	Set Screw	1	SM15/64(28)×10
A09	H7218B8001	Presser bar bushing	1	
A10	HA305E0662	Set Screw	1	SM15/64(28)×4.5
A11	H7219B8001	Pin	1	
A12	HA100C2020	Set Screw	1	SM15/64(28)×10
A13	H7220B8001	Mandril of needle bar guide bracket	1	
A14	H2405D0664	Set Screw	1	SM15/64(28)×14
A15	H7225B8001	Arm side cover	1	
A16	HA100B2060	Screw	1	SM11/64(40)×9
A17	H7236B8001	Face plate	1	
A18	H7238B8001	Screw	2	SM15/64(28)×22
A19	H7240B8001	Thread guide	1	
A20	H3410C301K	Screw	1	SM9/64(40)×6.5
A21	HA115B0702	Nut	1	
A22	H7241B8001	Tension spring	1	
A23	HA310B0705	Tension disc	2	
A24	H7242B8001	Tension screw stud	1	
A25	H2010J0066	Tension nut	1	SM9/32(28)
A26	H7243B8001	Thread tension regulator complete base	1	
A27	HA111G0683	Screw	2	SM11/64(40)×12
A28	H7244B8001	Tension releasing disc	1	
A29	H7245B8001	Screw	1	
A30	H7246B8001	Thread guide	1	
A31	HA115B0702	Tension nut	1	
A32	H7241B8001	Tension spring	1	
A33	H7248B8001	Washer	2	
A34	H7249B8001	Felt	2	
A35	H7250B8001	Damping plate	1	
A36	H7251B8001	Tension screw stud	1	
A37	HA710N0683	Nut	1	SM15/64(28)
A38	H7254B8001	Thread take-up spring	1	
A39	H7253B8001	Spring	1	
A40	H7255B8001	Thread take-up spring guide plate	1	
A41	H3410C301K	Screw	1	SM9/64(40)×6.5
A42	H7257B8001	Screw	1	
A43	H7258B8001	Nut	1	SM1/8(44)

## A.ARM BED AND ITS ACCESSORIES

Fig. No.	Part No.	Description	Pcs.	Remarks
A44	H7259B8001	Tension spring	1	
A45	H7260B8001	Tension disc	1	
A46	H7261B8001	Thread tension regulator complete base	1	
A47	HA7311CC06	Screw	1	SM9/64(40)×6
A48	H7262B8001	Thread guide	1	
A49	H3410C301K	Screw	1	SM9/64(40)×6.5
A50	HA300B2100	Rubber plug	1	

## B.NEEDLE BAR AND THREAD TAKE-UP MECHANISM

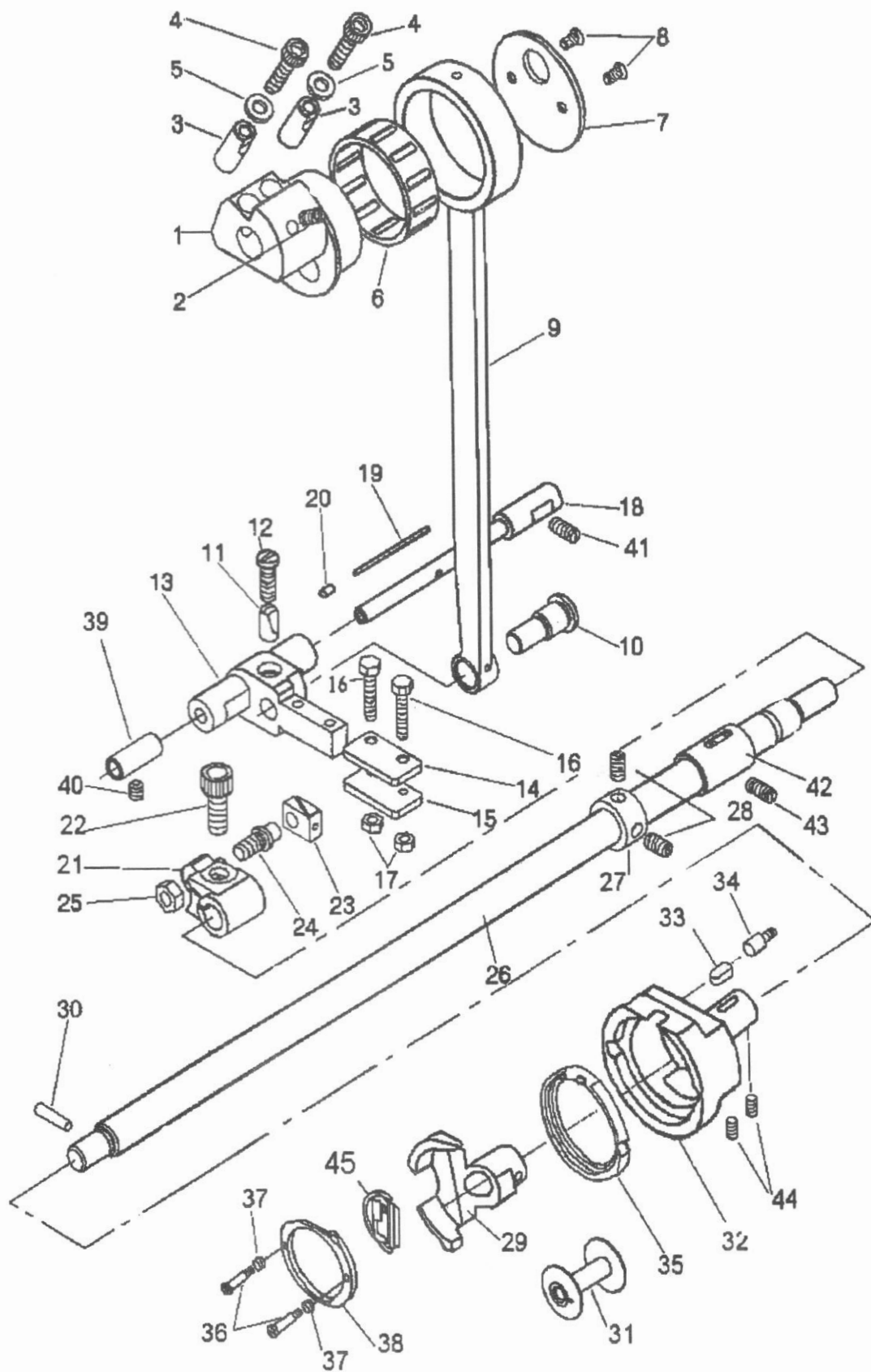
---



## B.NEEDLE BAR AND THREAD TAKE-UP MECHANISM

Fig. No.	Part No.	Description	Pcs.	Remarks
B01	H7204C8001	Pulley	1	放附件箱中
B02	H7205C8001	Screw	1	放附件箱中
B03	H7206C8001	Screw	1	放附件箱中
B04	H7208C8001	Arm shaft	1	
B05	HA108G0661	Collar	1	
B06	HA105D0662	Set Screw	2	SM1/4(40)×6
B07	H7209C8001	Thread take-up cam	1	
B08	H7210C8001	Needle bar connecting base link screw	1	
B09	H403060120	Screw	2	GB/T68 M6×12
B10	H4933K8001	Set Screw	2	SM1/4(40)×10
B11	H602040450	Pin	1	GB/T117 4×45
B12	H7211C8001	Thread take-up lever	1	
B13	H7212C8001	Screw	1	
B14	H7213C8001	Roller	1	
B15	H7214C8001	Roller pin	1	
B16	H2010J0066	Nut	1	SM9/32(28)
B17	H007013050	Retaining ring-E type	1	GB/T896 5
B18	H7215C8001	Needle bar connecting link screw	1	
B19	H2010J0066	Nut	1	SM9/32(28)
B20	H7216C8001	Needle bar connecting link	1	
B21	H7217C8001	Needle bar connecting stud	1	
B22	H7218C8001	Set Screw	2	SM1/4(40)×4.5
B23	H7219C8001	Needle bar	1	
B24	HA700F2100	Screw	1	SM11/64(40)×7
B25	H7220C8001	Needle	1	DY*3 26#
B26	H7222C8001	Needle bar guide bracket	1	
B27	H7223C8001	Needle bar guide bracket pin	1	
B28	H7224C8001	Oil wick	1	
B29	H7225C8001	Needle bar guide bracket plate	1	
B30	H3208G0676	Screw	1	SM15/64(28)×10.5
B31	HA111G0683	Screw	1	SM11/64(40)×12
B32	H7226C8001	Needle bar guide bracket plate base	1	
B33	H415060140	Screw	1	GB/T70.1 M6×14
B34	H7213B8001	Bushing	1	
B35	H2405D0664	Set Screw	1	SM15/64(28)×14
B36	H7214B8001	Felt	3	
B37	H7212B8001	Bushing	1	
B38	H2405D0664	Set Screw	1	SM15/64(28)×14
B39	H7211B8001	Bushing	1	
B40	H2405D0664	Set Screw	1	SM15/64(28)×14

# C.LOWER SHAFT MECHANISM



## C.LOWER SHAFT MECHANISM

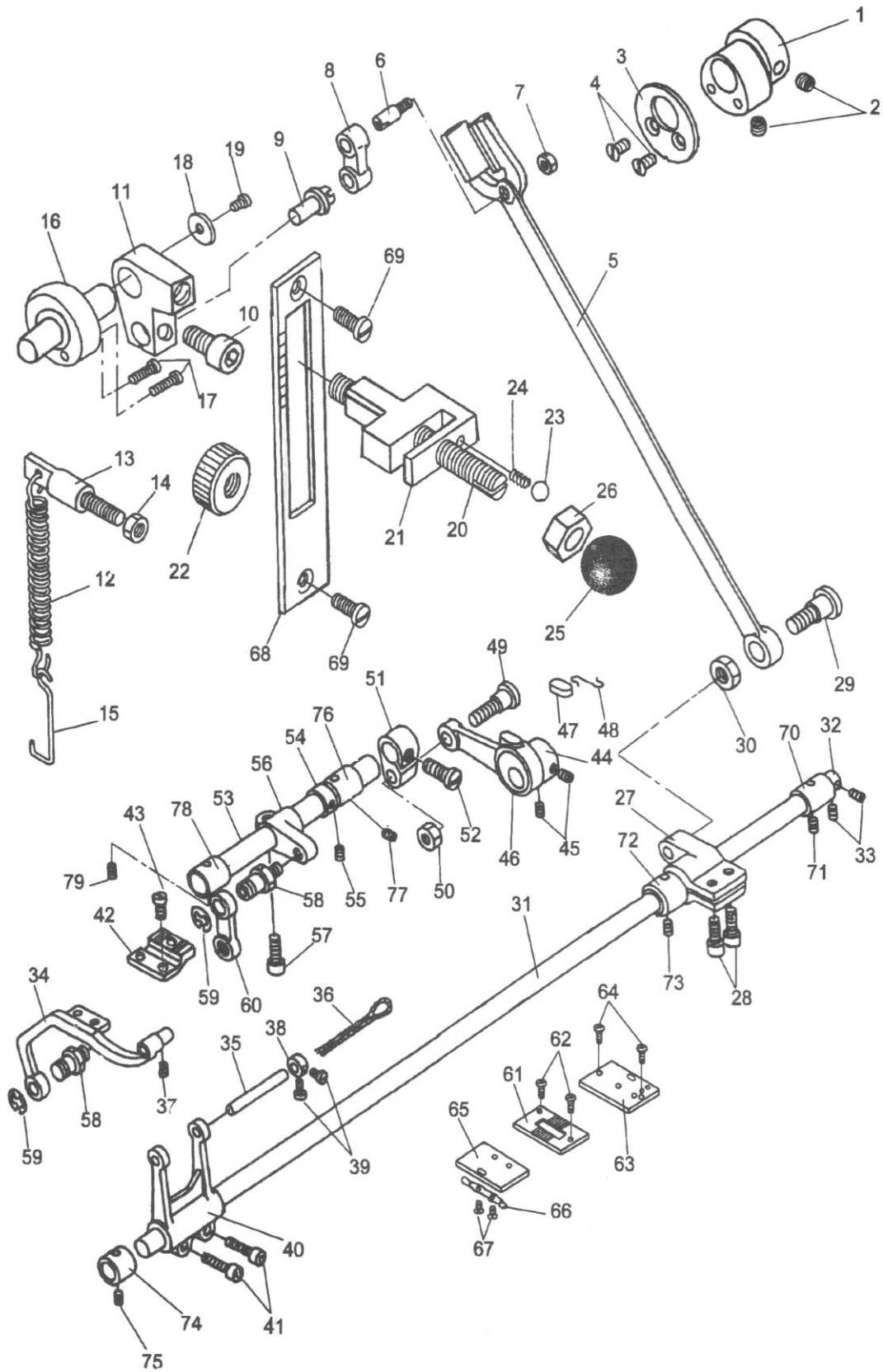
Fig. No.	Part No.	Description	Pcs.	Remarks
C01	H7204D8001	Eccentric	1	
C02	H7205D8001	Set screw	1	SM15/64(28) × 12
C03	H7206D8001	Pin	2	
C04	H415060250	Screw	2	GB/T70.1 M6×25
C05	H4728H8001	Washer	2	
C06	H7237D8001	Bearing	1	K43×48×17(NTN)
C07	H7207D8001	Eccentric cover	1	
C08	H2000B2050	Screw	2	SM11/64(40)×9
C09	H7208D8001	Crank connecting rod	1	
C10	H7209D8001	Crank connecting rod pin	1	
C11	H7210D8001	Pin	1	
C12	H7211D8001	Screw	1	SM3/16(32)×18
C13	H7213D8001	Shuttle shaft	1	
C14	H7214D8001	Plate	1	
C15	H7215D8001	Plate	1	
C16	H7216D8001	Screw	2	
C17	H2000M0120	Nut	2	SM11/64(40)
C18	H7218D8001	Inside shaft	1	
C19	H7219D8001	Oil wick	1	
C20	H7220D8001	Rivet	1	
C21	H7222D8001	Lower shaft crank	1	
C22	H415080200	Screw	1	GB/T70.1 M8×20
C23	H7223D8001	Shuttle shaft slide block	1	
C24	H7224D8001	Screw	1	
C25	H2010J0066	Nut	1	SM9/32(28)
C26	H0305D8001	Lower shaft	1	
C27	HA108G0661	Collar	1	
C28	H7239D8001	Set screw	2	SM1/4(40)×3.5
C29	H0306D8001	Shuttle driver	1	
C30	H602040220	Pin	1	GB/T117 4×22
C31	H7228D8001	Bobbin	1	
C32	H0307D8001	Shuttle hook base	1	
C33	H0308D8001	Felt	1	
C34	H0309D8001	Screw	1	SM15/64(28)
C35	H0310D8001	Shuttle race body	1	
C36	H7231D8001	Screw	2	SM3/16(28)
C37	H7232D8001	Spring	2	
C38	H0311D8001	Shuttle race cap	1	
C39	H7234B8001	Bushing	1	
C40	HA100C2020	Set screw	1	SM15/64(28)×10
C41	HA3411D308	Set screw	1	SM15/64(28)×7
C42	H7229B8001	Bushing	1	
C43	HA100C2020	Set screw	1	SM15/64(28)×10



## C.LOWER SHAFT MECHANISM

Fig. No.	Part No.	Description	Pcs.	Remarks
C44	H2405D0664	Set screw	2	SM15/64(28) × 14
C45	H7240D7101	Shuttle hook	1	KSP-204N(佐文)

# D.FEEDING MECHANISM



## D.FEEDING MECHANISM

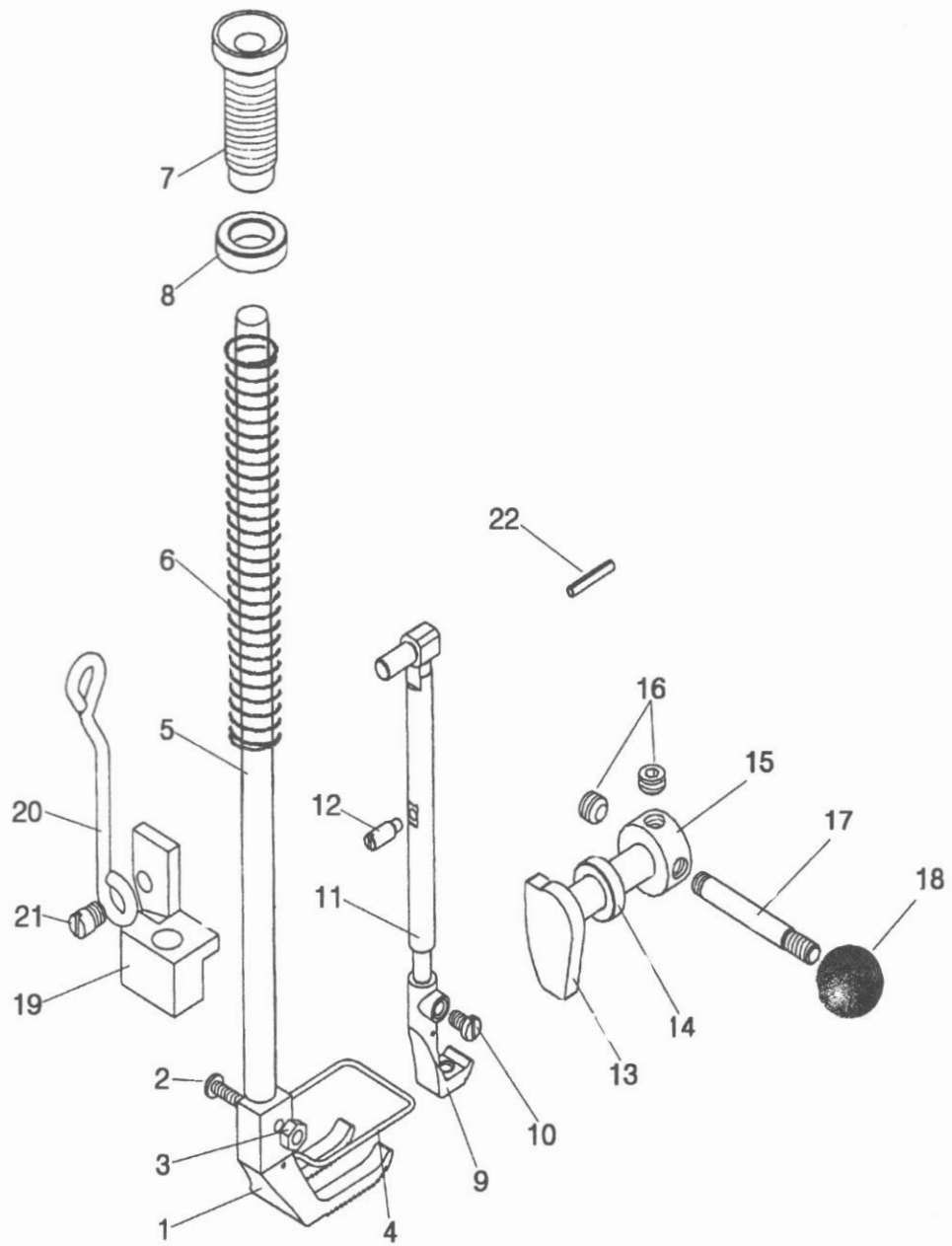
Fig. No.	Part No.	Description	Pcs.	Remarks
D01	H0334E8001	Feed cam	1	
D02	H7206E8001	Set screw	2	SM15/64(28)×6
D03	H7207E8001	Feed cam cover	1	
D04	H2000B2050	Screw	2	SM11/64(40)×9
D05	H0304E8001	Feed forked connection	1	
D06	H7209E8001	Feed forked connection crank pin	1	
D07	H2010J0066	Nut	1	SM9/32(28)
D08	H7210E8001	Stitch length connecting link	1	
D09	H7211E8001	Stitch length connecting link crank pin	1	
D10	H415050140	Screw	1	GB/T70.1 M5×14
D11	H0335E8001	Stitch length adjusting pin	1	
D12	H0305E8001	Spring	1	
D13	H0306E8001	Screw bar	1	SM9/32(28)
D14	H2010J0066	Nut	1	SM9/32(28)
D15	H0307E8001	Hook	1	
D16	H0336E8001	Damping plate	1	
D17	HA104G0012	Screw	2	SM3/16(28)×12
D18	H0337E8001	Spacer	1	
D19	H5715B8001	Screw	1	SM11/64(40)×8
D20	H7214E8001	Stitch length adjusting bolt	1	
D21	H7215E8001	Stitch length limited plate	1	
D22	H7216E8001	Nut	1	
D23	HE00001032	Metal ball	1	GB/T308 3.175
D24	H7217E8001	Spring	1	
D25	HF01080320	Plastic ball	1	JB/T7271.1 M8×32
D26	H003008080	Nut	1	GB/T6172.1 M8
D27	H0308E8001	Feed driving rock shaft crank	1	
D28	H415060140	Screw	2	GB/T70.1 M6×14
D29	H0309E8001	Screw	1	
D30	H2010J0066	Nut	1	SM9/32(28)
D31	H0310E8001	Collar	1	
D32	HA108G0661	Set screw	1	
D33	H7239D8001	Crank pin	2	SM1/4(40)×3.5
D34	H0312E8001	Feed dog base	1	
D35	H0313E8001	Crank shaft	1	
D36	H0314E8001	Oil wick	1	
D37	H2100I2070	Screw	1	SM3/16(32)×7
D38	H0315E8001	Collar	1	
D39	H7214H8001	Screw	2	SM11/64(40)×4.5
D40	H0316E8001	Crank	1	
D41	H415060140	Screw	2	GB/T70.1 M6×14
D42	H0317E8001	Feed dog	1	
D43	HA7311CC06	Screw	2	SM9/64(40)×6

## D.FEEDING MECHANISM

Fig. No.	Part No.	Description	Pcs.	Remarks
D44	H0318E8001	Feed lifting eccentric	1	
D45	HA307C0066	Screw	2	SM1/4(40)×6
D46	H0320E8001	Feed lifting connection	1	
D47	H0321E8001	Felt	1	
D48	H20111C106	Spring	1	
D49	H0323E8001	Screw	1	
D50	H2010J0066	Nut	1	SM9/32×28
D51	H0324E8001	Crank	1	
D52	H6017F8001	Screw	1	SM15/64(28)×18
D53	H0325E8001	Feed lifting shaft	1	
D54	HA108G0661	Collar	1	
D55	H7239D8001	Screw	2	SM1/4(40)×3.5
D56	H0326E8001	Crank	1	
D57	H415060140	Screw	1	GB/T70.1 M6×14
D58	H7219E8001	Hinge bar	2	
D59	H007013080	Washer	2	GB/T896 8
D60	H0327E8001	Link	1	
D61	H0328E8001	Needle plate	1	
D62	HA300B2190	Screw	2	SM11/64(40)×8
D63	H0329E8001	Fitting plate	1	
D64	HA100B2200	Screw	2	SM11/64(40)×8
D65	H0330E8001	Slide plate	1	
D66	H0331E8001	Spring	1	
D67	HA124B0713	Screw	2	SM3/32(56)×2.2
D68	H0332E8001	Stitch length indicating plate	1	
D69	HA104F0654	Screw	2	SM15/64(28)×9
D70	H0311B8001	Bushing	1	
D71	H2405D0664	Set screw	1	SM15/64(28)×14
D72	H0312B8001	Bushing	1	
D73	HA100C2020	Set screw	1	SM15/64(28)×10
D74	H2009B0069	Bushing	1	
D75	H2405D0664	Set screw	1	SM15/64(28)×14
D76	H0312B8001	Bushing	1	
D77	HA3411D308	Set screw	1	SM15/64(28)×7
D78	H0311B8001	Bushing	1	
D79	H2405D0664	Set screw	1	SM15/64(28)×14

## E.PRESSER FOOT MECHANISM

---

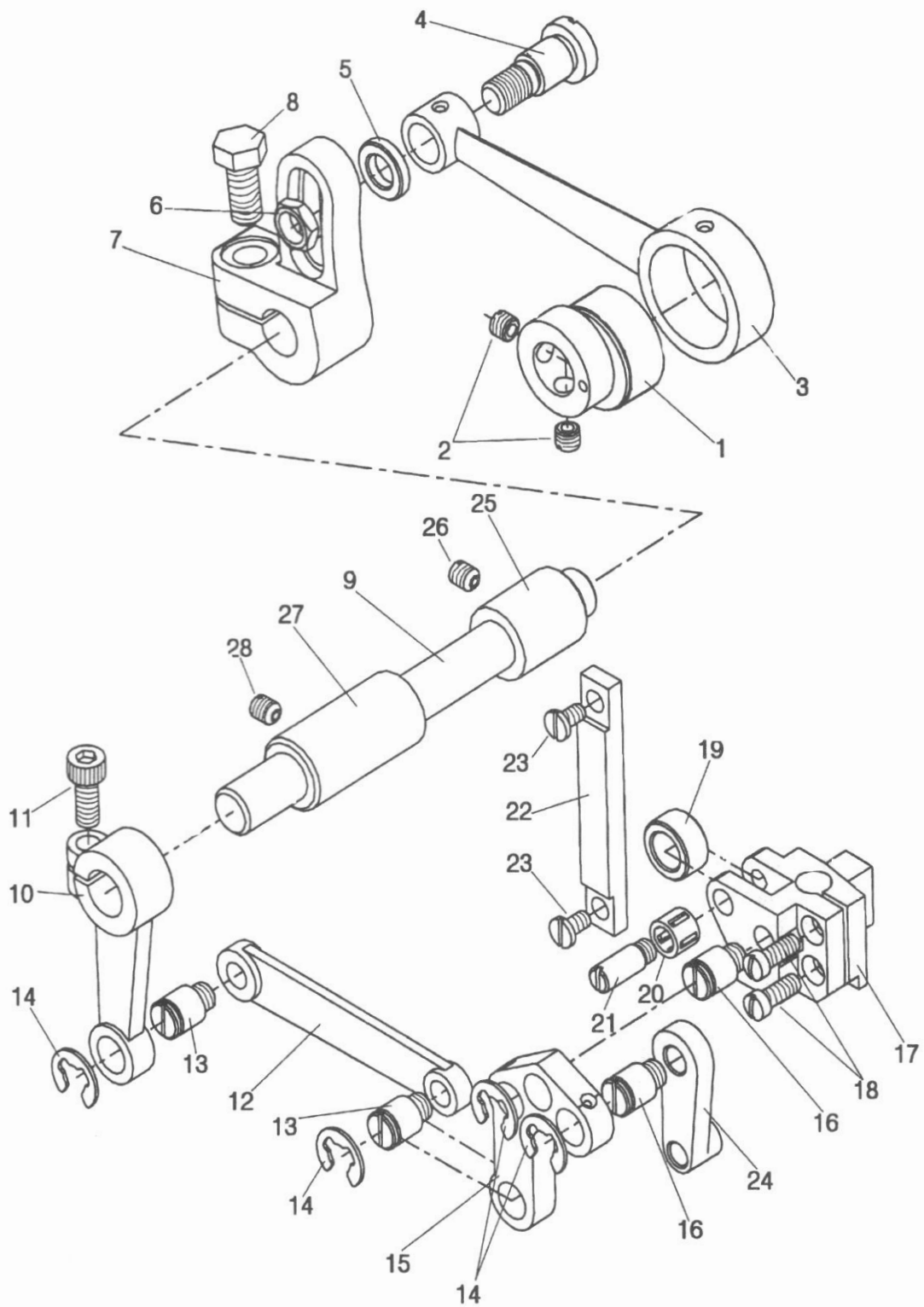


## E.PRESSER FOOT MECHANISM

Fig. No.	Part No.	Description	Pcs.	Remarks
E01	H7204F8001	Presser foot	1	
E02	H7205F8001	Screw	1	SM9/64(40)×14
E03	HA710P0673	Nut	1	SM9/64(40)
E04	H7206F8001	Finger guard	1	
E05	H7207F8001	Presser bar	1	
E06	H7208F8001	Presser bar spring	1	
E07	H7209F8001	Thumb screw	1	SM5/8(28)
E08	H7210F8001	Nut	1	
E09	H7211F8001	Walking foot	1	
E10	HA719B0709	Screw	1	SM11/64(40)×7
E11	H7212F8001	Presser bar	1	
E12	H7213F8001	Screw	1	
E13	H7214F8001	Presser bar lifting shaft	1	
E14	H7215F8001	Washer	1	
E15	H7217F8001	Collar	1	
E16	H7218C8001	Set screw	2	SM1/4(40)×4.5
E17	H7219F8001	Bolt	1	
E18	HF01080320	Plastic ball	1	JB/T7271.1 M6×20
E19	H7220F8001	Presser bar guide bracket	1	
E20	H7221F8001	Connecting rod	1	
E21	H7222F8001	Screw	1	SM1/4(40)×40
E22	H609030180	Pin	1	GB/T879.1 3×18

## F.UPPER FEED LIFTING ROCK SHAFT MECHANISM

---



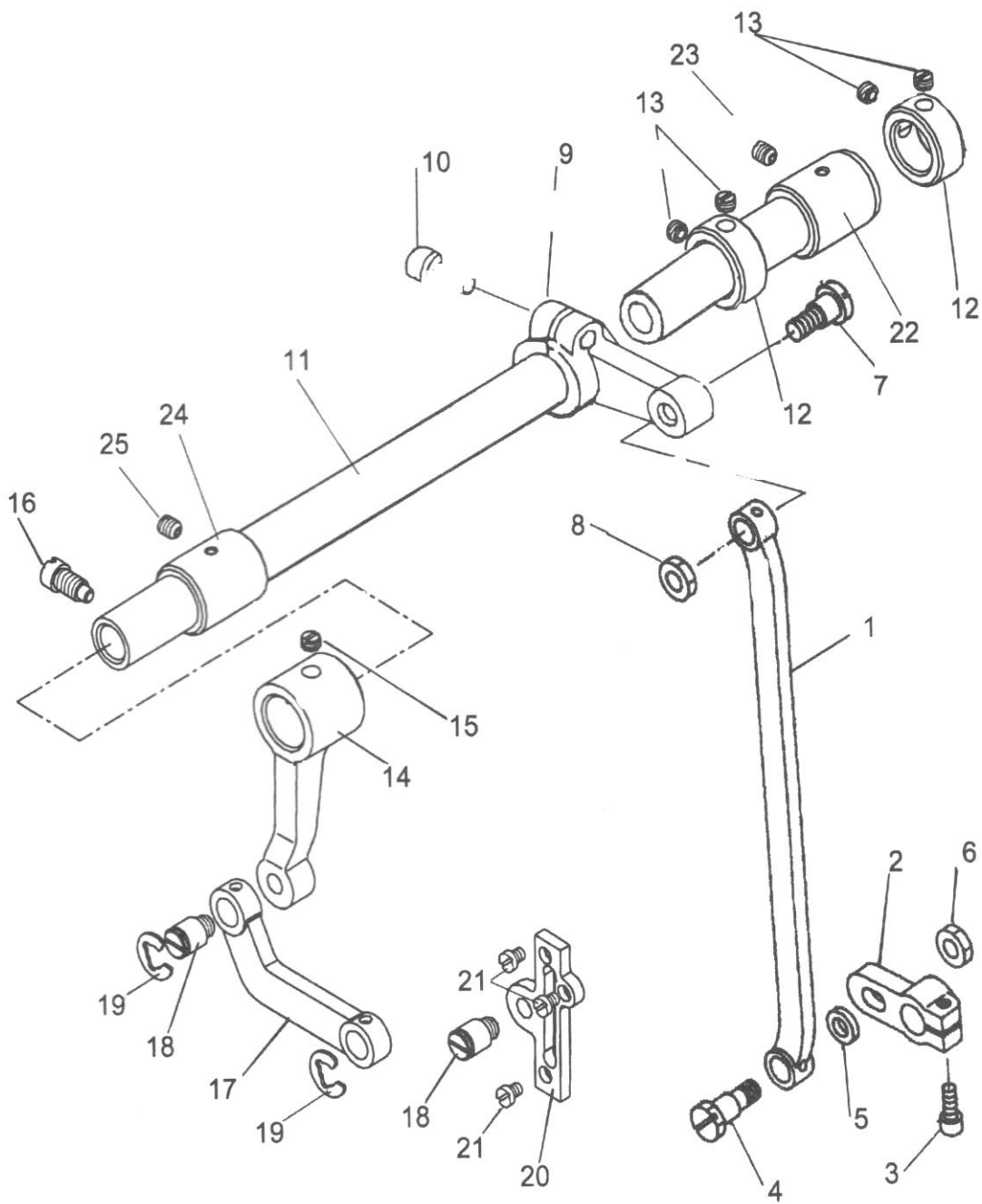
## F.UPPER FEED LIFTING ROCK SHAFT MECHANISM

Fig. No.	Part No.	Description	Pcs.	Remarks
F01	H7204G8001	Presser foot lifting eccentric	1	
F02	HA307C0066	Set screw	2	SM1/4(40)×6
F03	H7205G8001	Eccentric connecting link	1	
F04	H7206G8001	Screw	1	
F05	H7207G8001	Washer	1	
F06	H7208G8001	Nut	1	SM11/32(28)
F07	H7209G8001	Adjusting crank	1	
F08	H7210G8001	Screw	1	SM5/16(18)
F09	H7211G8001	Presser foot lifting shaft	1	
F10	H7212G8001	Presser foot lifting shaft crank	1	
F11	H415060140	Screw	1	GB/T70.1 M6×14
F12	H7213G8001	Presser foot lifting connecting link	1	
F13	H7214G8001	Screw	2	
F14	H007013080	Retaining ring-E type	4	GB/T896 8
F15	H7215G8001	Presser foot lifting lever	1	
F16	H7214G8001	Screw	2	
F17	H7216G8001	Presser foot lifting lever base	1	
F18	HA104G0012	Screw	2	SM3/16(28)×12
F19	H7217G8001	Roller	1	
F20	H7221G8001	Bearing	1	ISO K7
F21	H7218G8001	Screw	1	SM15/64(28)
F22	H7219G8001	Roller base plate	1	
F23	HA700B2060	Screw	2	SM3/16(32)×8
F24	H7220G8001	Walking foot lifting connecting link	1	
F25	H7221B8001	Bushing	1	
F26	HA3411D308	Set screw	1	SM15/64(28)×7
F27	H7222B8001	Bushing	1	
F28	HA3411D308	Set screw	1	SM15/64(28)×7



# G.NEEDLE BAR ROCKING MOTION MECHANISM

---

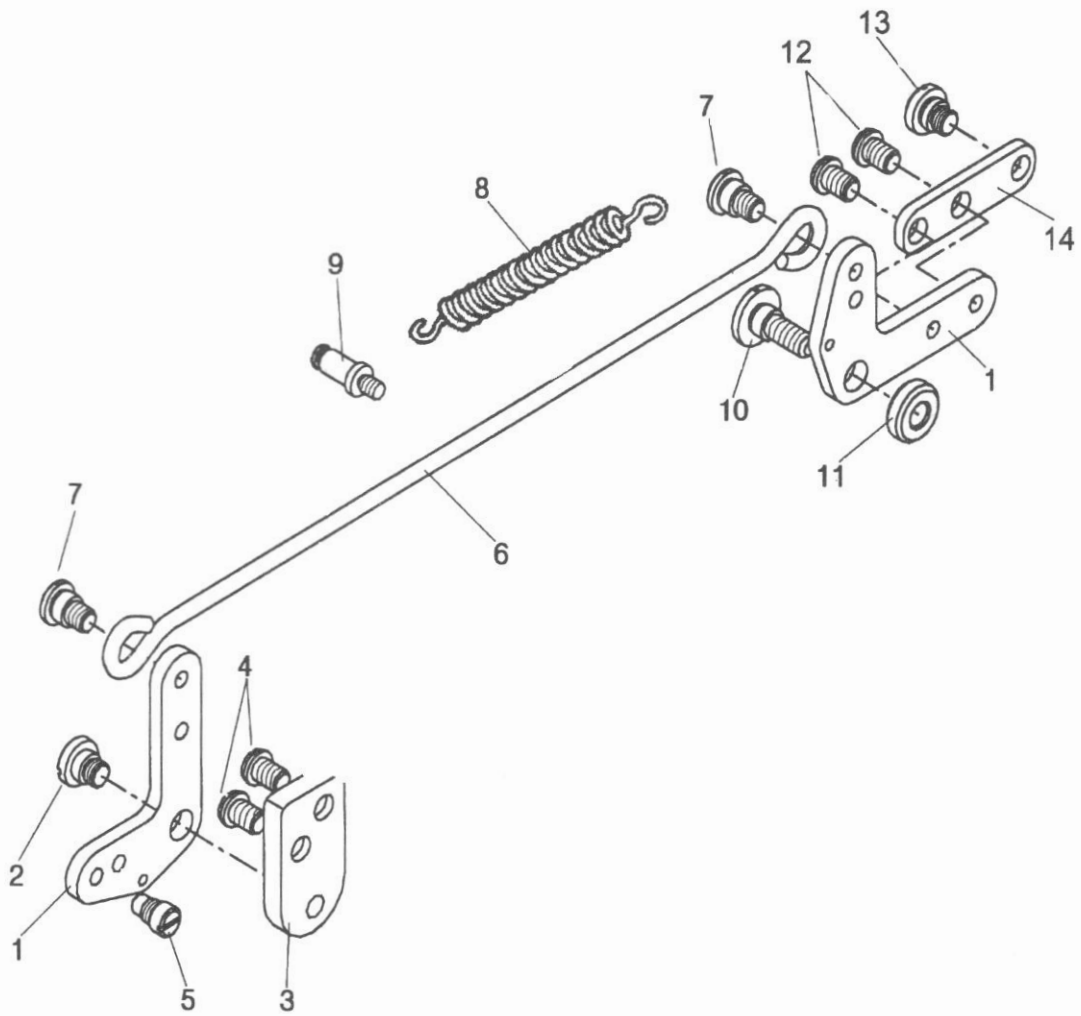


## G.NEEDLE BAR ROCKING MOTION MECHANISM

Fig. No.	Part No.	Description	Pcs.	Remarks
G01	H0304H8001	Needle bar rocking connecting link	1	
G02	H0305H8001	Adjusting crank	1	
G03	H415060140	Screw	1	GB/T70.1 M6×14
G04	H7206G8001	Screw	1	
G05	H7207G8001	Washer	1	
G06	H7208G8001	Nut	1	
G07	H0309E8001	Screw	1	
G08	H2010J0066	Nut	1	SM9/32(28)
G09	H0306H8001	Adjusting crank	1	
G10	H415060160	Screw	1	GB/T70.1 M6×16
G11	H7209H8001	Needle bar rock shaft	1	
G12	H7210H8001	Collar	2	
G13	HA105D0662	Set screw	4	SM1.4(40)×4.5
G14	H7211H8001	Needle bar rocking crank	1	
G15	H7218C8001	Set screw	1	SM1/4(40)×4.5
G16	HA100C2070	Screw	1	SM9/32(28)×14
G17	H7212H8001	Needle bar rocking connecting link	1	
G18	H7214G8001	Screw	2	
G19	H007013080	Retaining ring-E type	2	GB/T896 8
G20	H7213H8001	Screw base	1	
G21	H7214H8001	Screw	3	SM11/64(40)×4.5
G22	H7223B8001	Bushing	1	
G23	HA3411D308	Set screw	1	SM15/64(28)×7
G24	H7224B8001	Bushing	1	
G25	HA3411D308	Set screw	1	SM15/64(28)×7

# H.KNEE LIFTER MECHANISM

---

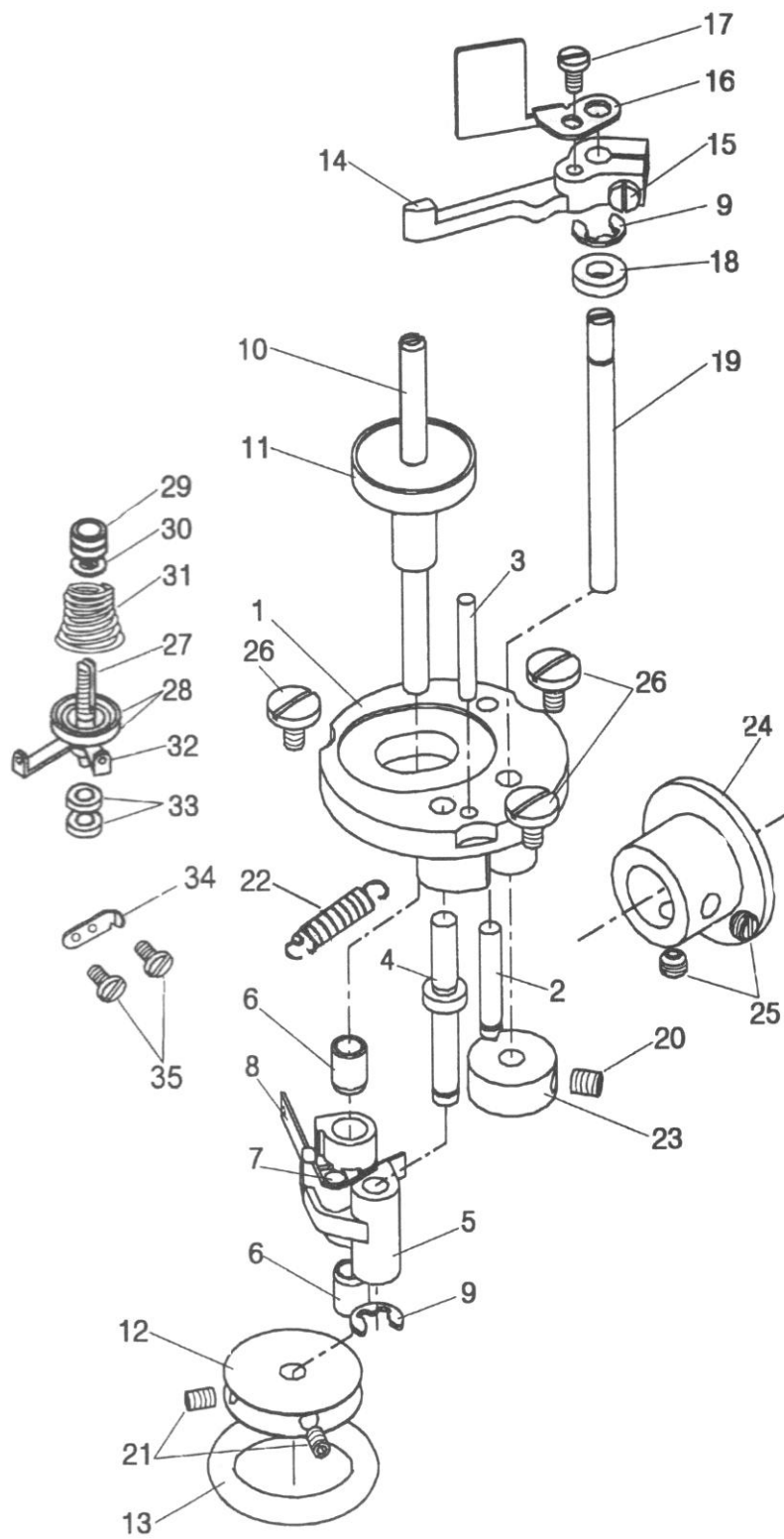


## H.KNEE LIFTER MECHANISM

Fig. No.	Part No.	Description	Pcs.	Remarks
H01	H7204I8001	Knee lifter lever	2	
H02	H7205I8001	Screw	1	SM15/64(28)×6
H03	H7206I8001	Knee lifter lever base	1	
H04	HA300J2280	Screw	2	SM15/64(28)×6.5
H05	H7207I8001	Screw	1	SM15/64(28)×8
H06	H7208I8001	Knee lifter rod	1	
H07	H7205I8001	Screw	2	SM15/64(28)×6
H08	H7209I8001	Coil spring	1	
H09	H7210I8001	Screw	1	
H10	H7211I8001	Screw	1	SM15/64(28)×13
H11	H7212I8001	Washer	1	
H12	HA300J2280	Knee lifter lever connecting plate	2	SM15/64(28)×6.5
H13	H7213I8001	Screw	1	SM1/4(40)×3.5
H14	H7214I8001	Screw	1	

# I. BOBBIN WINDER MECHANISM

---

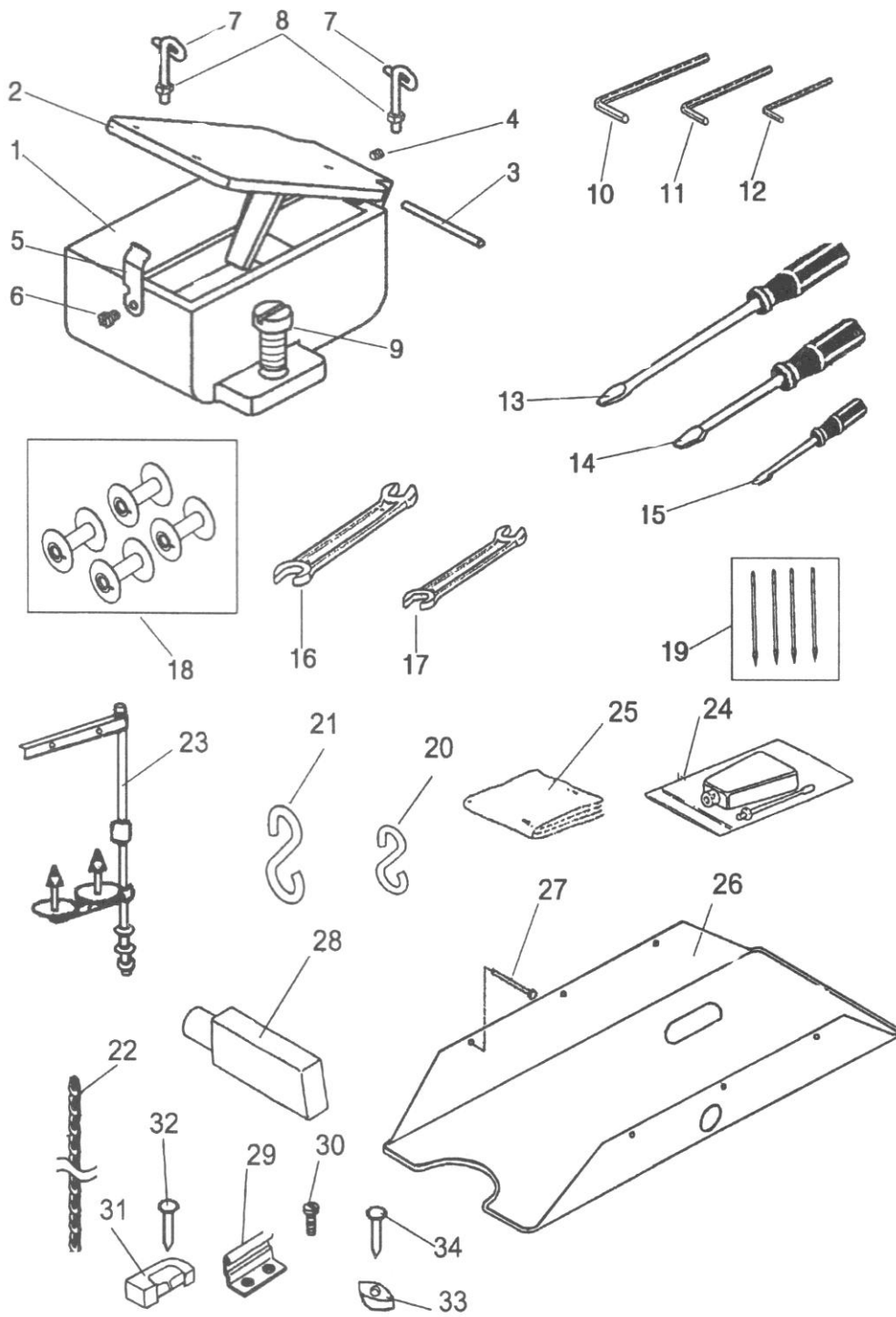


## I.BOBBIN WINDER MECHANISM

Fig. No.	Part No.	Description	Pcs.	Remarks
I01	H6706N8001	Bobbin winder plate	1	
I02	H6707N8001	Pin	1	
I03	H6708N8001	Pin	1	
I04	H7210J8001	Bobbin winder crank shaft	1	
I05	H7213J8001	Bobbin winder crank shaft	1	
I06	H6713N8001	Bushing	2	
I07	H6714N8001	Pin	1	
I08	H6715N8001	Bobbin winder spring	1	
I09	H007013050	Retaining ring-E type	2	GB/T896 5
I10	H7205J8001	Bobbin winder shaft	1	
I11	H6717N8001	Bobbin base	1	
I12	H7214J8001	Driven wheel	1	
I13	H6658B8001	Friction rubber band	1	
I14	H6720N8001	Bobbin winder lever	1	
I15	HA100H2150	Screw	1	SM9/64(40)×11
I16	H7206J8001	Winding length limited plate	1	
I17	H3200B2100	Screw	1	
I18	H6722N8001	Washer	1	
I19	H6723N8001	Pin	1	
I20	H6731N8001	Set screw	1	M5×6
I21	H431030040	Set screw	2	HRC34-48 表面磷化发黑
I22	H6724N8001	Spring	1	
I23	H6725N8001	Bobbin winder cam	1	
I24	H7005D8001	Driving Wheel	1	
I25	H4723D8001	Set screw	2	SM15/64(28)×4.5
I26	H3107G0662	Screw	3	SM11/64(40)
I27	H7208J8001	Screw	1	
I28	HA310B0705	Tension disc	2	
I29	HA115B0702	Nut	1	
I30	HA115B7010	Limited plate	1	
I31	H3300B2040	Spring	1	
I32	H6662B8001	Thread guide	1	
I33	H003008040	Washer	2	GB/T6172.1 M4
I34	H6756B8001	Blade	1	
I35	HA500C2070	Screw	2	SM9/64(40)×5

# J.ACCESSORIES

---



## J.ACCESSORIES

Fig. No.	Part No.	Description	Pcs.	Remarks
J01	H7207K8001	Silicon oil box	1	
J02	H7208K8001	Cover	1	
J03	H605030400	Pin	1	GB/T119.2 3×40
J04	H34411C410	Screw	1	SM9/64(40)×4
J05	H7209K8001	Spring	1	
J06	H3215K0693	Screw	1	SM9/64(40)5
J07	H7210K8001	Thread guide	2	
J08	H7211K8001	Nut	2	SM3/32(56)
J09	HA800F2020	Screw	1	SM15/64(28)×13.5
J10	HB00001050	Hexagon socket screw key	1	GB/T5356 5
J11	HB00001040	Hexagon socket screw key	1	GB/T5356 4
J12	HB00001030	Hexagon socket screw key	1	GB/T5356 3
J13	HA300J2070	Screw driver (size L)	1	
J14	HA300J2200	Scrwe driver (size M)	1	
J15	HA300J2210	Scrwe driver (size S)	1	
J16	HJ02090110	Spanner	1	GB/T4388 9×11
J17	HJ02100130	Spanner	1	GB/T4388 10×13
J18	H7228D8001	Bobbin	4	
J19	H7220C8001	Needle	4	DY*3 26#
J20	H7235K8001	Hook	1	
J21	HPG100E202	Hook	1	
J22		Chain	1	1100mm
J23	HA200J2030	Thread stand assy	1	
J24	H2004O0069	Oiler	1	聚丙烯
J25	H7212K8001	Vinyl cover	1	聚氯乙稀
J26	H0306K8001	Oil pan	1	
J27	16250	Nail	6	GB349 1.6×25
J28	H0307K8001	Supporting bar	1	
J29	HE009M8001	Hinge	2	
J30	HE010M8001	Screw	4	
J31	HE007M8001	Hinge socket	2	
J32	16250	Nail	4	GB349 1.6×25
J33	HE005M8001	Cushion	4	
J34	16250	Nail	4	GB349 1.6×25