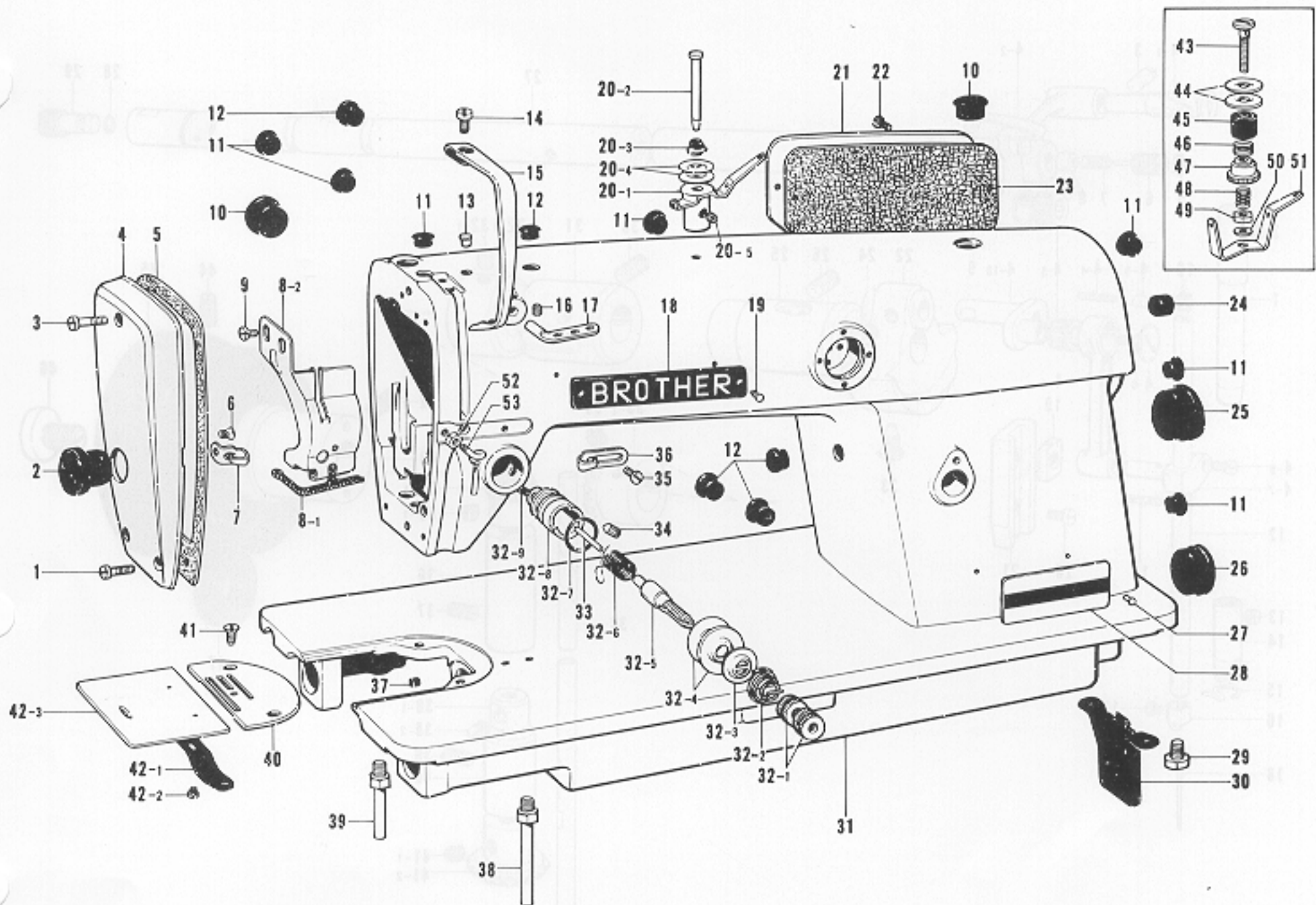


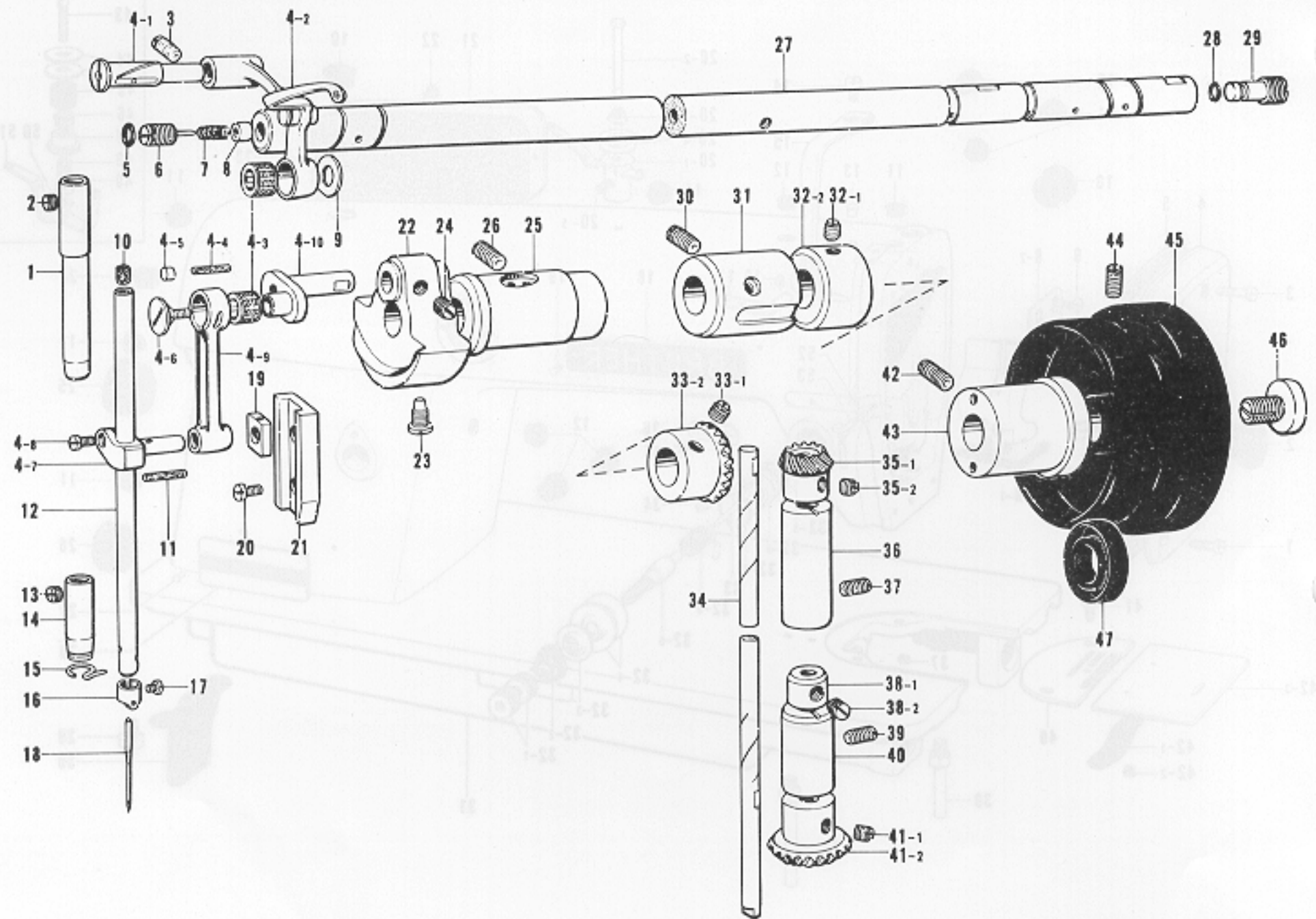
A. Machine Body



Ref. No.	Name of Parts	Q'ty	Parts No.	Assembly No.	Ref. No.	Name of Parts	Q'ty	Parts No.	Assembly No.
A-1	Screw	2	009671-0-13		A-30	Pump Cover	1	118672-0-01	
A-2	Oil Cap	1			A-31	Arm Bed	1		
A-3	Screw	1	009671-8-13		A-32-1	Nut	2	100136-0-01	A-32 Tension Regulator Assembly
A-4	Face Plate	1			A-32-2	Tension Spring	1		
A-5	Packing	1	109195-0-01		A-32-3	Tension Disc Washer	1	100134-0-01	
A-6	Screw	1			A-32-4	Tension Disc	2	145446-0-01	
A-7	Face Plate Thread Guide	1			A-32-5	Tension Stud	1	100398-0-01	
A-8-1	Wick	1	148302-0-01	A-8 Oil Stopper Plate Assembly	A-32-6	Thread Take-up Spring	1		
A-8-2	Oil Stopper Plate	1			A-32-7	Packing	1	114294-0-01	
A-9	Screw	2	009670-5-12		A-32-8	Upper Tension Regulator Bracket	1	144741-0-01	
A-10	Oil Cap	2	104449-0-01		A-32-9	Screw	1	100402-0-04	
A-11	Oil Cap	7	104450-0-01		A-33	Tension Release Pin	1		
A-12	Oil Cap	5	104821-0-01		A-34	Screw	1	103950-0-02	
A-13	Oil Cap	1	111865-0-01		A-35	Screw	1	009670-6-14	
A-14	Screw	1	009680-7-13		A-36	Arm Thread Guide	1	113316-0-01	
A-15	Thread Take-up Cover	1	140885-0-01		A-37	Oil Cap	1		
A-16	Screw	1	151602-0-02		A-38	Bed Leg L	1	104829-1-01	
A-17	Thread Retainer	1	114931-0-01		A-39	Bed Leg S	1	104830-1-01	
A-18	Name Plate BROTHER	1			A-40	Needle Plate	1		
A-19	Screw	2	124918-0-01		A-41	Screw	2	100032-0-03	
A-20-1	Pretension	1		A-20 Pretension Assembly	A-42-1	Slide Plate Spring	1	114561-0-01	A-42 Slide Plate Assembly 180018-0-01
A-20-2	Pretension Stud	1			A-42-2	Screw	2	122771-0-01	
A-20-3	Spring	1	144505-0-00		A-42-3	Slide Plate	1		
A-20-4	Thread Guide Disc	2	144504-0-01		A-43	Pre-Tension Stud	1	153111-0-01	
A-20-5	Screw	1	102716-0-03		A-44	Thread Guide Disc	2	144504-0-01	
A-21	Rear Cover	1		A-45	Pre-Tension Disc Washer	1	146206-0-01		
A-22	Screw	4	009670-8-12		A-46	Pre-Tension Spring	1	146058-0-01	
A-23	Packing	1	118778-0-01		A-47	Pre-Tension Nut	1	146059-0-01	
A-24	Oil Cap	2	104832-0-01		A-48	Spring	1	146060-0-00	
A-25	Oil Cap	1	118675-0-01		A-49	Nut	1	105234-0-01	
A-26	Oil Cap	1	108520-0-01		A-50	Washer	1	025680-2-34	
A-27	Model Plate Pin	2			A-51	Thread Guide Plate	1	146055-0-01	
A-28	Model Plate	1			A-52	Nut	1	021660-1-02	
A-29	Bolt	2	140704-0-01		A-53	Arm Thread Guide L	1	145524-0-01	

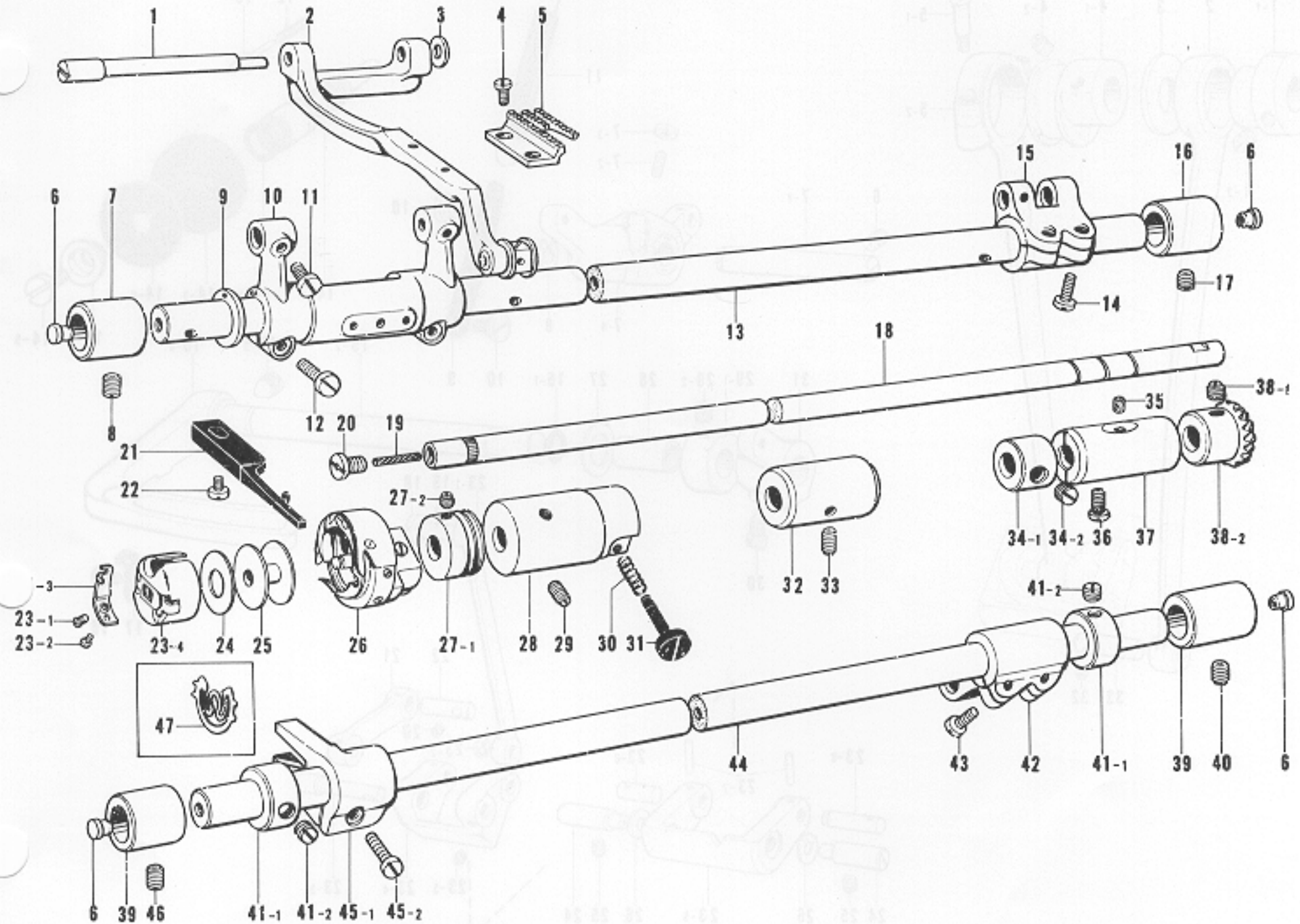
★Parts A-43~A-53 are for -100--200--400 and -500 type specification.

B. Upper Shaft and Needle Bar Mechanism



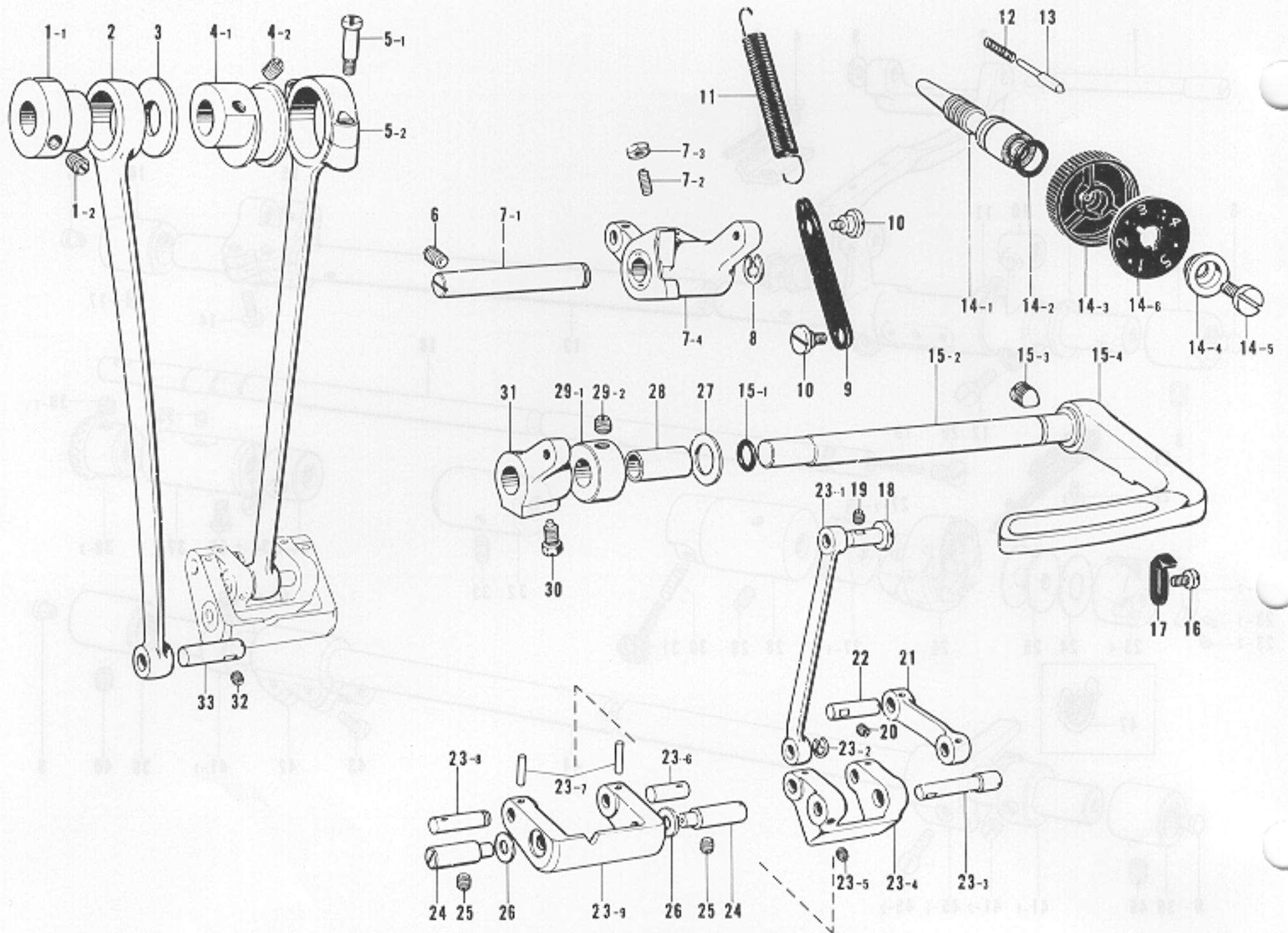
Ref. No.	Name of Parts	Q'ty	Parts No.	Assembly No.	Ref. No.	Name of Parts	Q'ty	Parts No.	Assembly No.
B-1	Needle Bar Bushing Upper	1	117242-0-01		B-28	Packing	1	081002-6-70	
B-2	Screw	1	100260-0-01		B-29	Oil Screw Right for Upper Shaft	1	104555-0-01	
B-3	Screw	1	013761-4-10		B-30	Screw	1	013761-4-10	
B-4-1	Stud	1	111468-0-01	B-4 Thread Take-up Lever Assembly	B-31	Upper Shaft Bushing Inter Mediate	1	140726-0-00	
B-4-2	Thread Take-up Lever	1			B-32-1	Screw	2	151604-0-01	B-32 Collar 181994-0-01
B-4-3	Needle Roller Bearing	2			B-32-2	Collar	1		
B-4-4	Felt	1	145624-0-00		B-33-1	Screw	2	100251-0-01	B-33 Upper Shaft Gear Assembly 180022-0-01
B-4-5	Cap	1			B-33-2	Upper Shaft Gear	1		
B-4-6	Screw	1	145465-0-01		B-34	Vertical Shaft	1	144868-0-01	
B-4-7	Needle Bar Clamp	1	111237-0-01		B-35-1	Vertical Shaft Gear	1		B-35 Vertical Shaft Gear Assembly 180957-0-01
B-4-8	Screw	1	140004-0-01		B-35-2	Screw	2	100251-0-01	
B-4-9	Needle Bar Connector	1			B-36	Vertical Shaft Upper Bushing	1	142708-0-00	
B-4-10	Needle Bar Crank	1			B-37	Screw	1	013760-6-10	
B-5	Packing	1	118770-0-01	B-38-1	Collar	1		B-38 Collar 118759-0-01	
B-6	Oil Adjusting Screw for Upper Shaft	1	140412-0-01	B-38-2	Screw	2	101706-0-01		
B-7	Spring	1	116799-0-01	B-39	Screw	1	013761-4-10		
B-8	Oil Bushing	1	140357-0-01	B-40	Vertical Shaft Lower Bushing	1	142709-0-00		
B-9	Washer	1	110367-0-01	B-41-1	Screw	3	100251-0-01	B-41 Vertical Shaft Gear Assembly 180959-0-01	
B-10	Needle Bar Cap	1	111863-0-01	B-41-2	Vertical Shaft Lower Gear	1			
B-11	Wick	1	108809-0-01	B-42	Screw	1	013760-6-10		
B-12	Needle Bar	1		B-43	Upper Shaft Bushing R	1	146331-0-01		
B-13	Screw	1	100260-0-01	B-44	Screw	2	013761-4-10		
B-14	Needle Bar Bushing Lower	1		B-45	Pulley	1			
B-15	Thread Guide Under	1	100573-0-01	B-46	Screw	1	104478-0-01		
B-16	Needle Bar Thread Guide	1		B-47	Oil Seal	1	101487-0-01		
B-17	Screw	1	140553-0-01						
B-18	Needle	1							
B-19	Needle Bar Guide Slide Block	1	102630-0-01						
B-20	Screw	2	009670-6-12						
B-21	Needle Bar Guide	1	102631-0-01						
B-22	Thread Take-up Crank	1							
B-23	Screw	1	104464-0-01						
B-24	Screw	2	100251-0-01						
B-25	Upper Shaft Bushing Left	1	111459-0-01						
B-26	Screw	1	013761-4-10						
B-27	Upper Shaft	1	118821-0-01						

C. Lower Shaft and Feed Mechanism



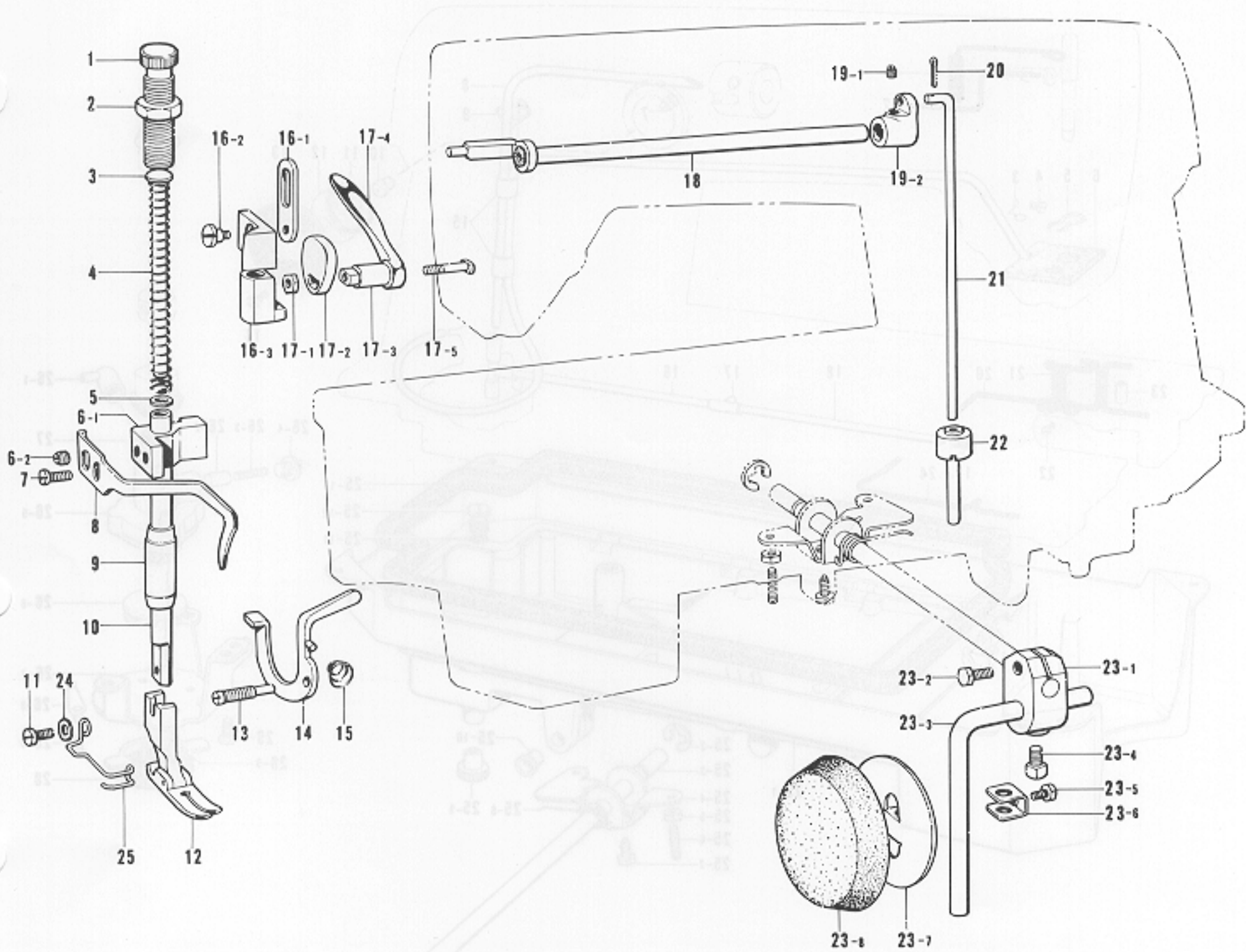
Ref. No.	Name of Parts	Q'ty	Parts No.	Assembly No.	Ref. No.	Name of Parts	Q'ty	Parts No.	Assembly No.
C-1	Feed Bar Shaft	1	116917-0-01		C-29	Screw	1	151603-0-02	
C-2	Feed Bed	1	118845-0-01		C-30	Spring	1	116794-0-01	
C-3	Ring	1	115663-0-01		C-31	Screw	1	145534-0-01	
C-4	Screw	2	100080-0-03		C-32	Lower Shaft Bushing Middle	1	118762-0-00	
C-5	Feed Dog	1			C-33	Screw	1	151607-0-01	
C-6	Oil Cap	4	111865-0-01		C-34-1	Collar	1		C-34
C-7	Feed Shaft Bushing Small	1	116766-0-01		C-34-2	Screw	2	101706-0-03	Collar 181995-0-01
C-8	Screw	1	101706-0-01		C-35	Felt	1	107155-0-01	
C-9	Thrust Ring	1	116920-0-01		C-36	Screw	1	121007-0-01	
C-10	Feed Bar Arm	1	145510-0-00		C-37	Lower Shaft Bushing Right	1	104520-0-00	
C-11	Screw	2	104908-0-01		C-38-1	Screw	2	100251-0-01	C-38
C-12	Screw	2	009681-2-12		C-38-2	Lower Shaft Gear	1		Lower Shaft Gear Assembly 180960-0-01
C-13	Feed Rock Shaft	1	142573-0-01		C-39	Feed Shaft Bushing Small	2	116766-0-01	
C-14	Screw	2	009711-2-12		C-40	Screw	1	100251-0-01	
C-15	Feed Rock Shaft Arm	1	148286-0-01		C-41-1	Collar	2		C-41
C-16	Feed Shaft Bushing Left	1	116919-0-01		C-41-2	Screw	4	101706-0-01	Collar Assembly 180321-0-01
C-17	Screw	1	101706-0-01		C-42	Feed Rock Shaft Arm	1	116768-0-01	
C-18	Lower Shaft	1			C-43	Screw	2	009681-2-12	
C-19	Felt	1			C-44	Feed Lifting Rock Shaft	1	142572-0-01	
C-20	Screw	1	109173-0-01		C-45-1	Feed Lifting Arm	1		C-45
C-21	Bobbin Case Holder Position Bracket	1	140757-0-01		C-45-2	Screw	1	009681-4-12	Feed Lifting Arm Assembly 180322-0-01
C-22	Screw	1			C-46	Screw	1	101706-0-01	
C-23-1	Spring Adjusting Screw	1	181937-0-01	C-23 Bobbin Case Assembly	C-47	Bobbin Presser Spring	1		
C-23-2	Spring Set Screw	1	181938-0-01						
C-23-3	Lower Thread Adjusting Spring	1	192392-0-01						
C-23-4	Bobbin Case	1							
C-24	Bobbin Case Sheet	1							
C-25	Bobbin	1	146290-0-01						
C-26	Rotary Hook Assembly	1							
C-27-1	Oil Stopper	1		C-27 Oil Stopper Assembly					
C-27-2	Screw	2	151601-0-02						
C-28	Lower Shaft Bushing Left	1	118761-0-00						

D. Feed Mechanism



Ref. No.	Name of Parts	Qty	Parts No.	Assembly No.	Ref. No.	Name of Parts	Qty	Parts No.	Assembly No.
D- 1-1	Vertical Feed Eccentric Wheel	1		D-1 Eccentric Wheel 180791-0-01	D-16	Screw	1	009680-7-14	
D- 1-2	Screw	2	151604-0-01		D-17	Reverse Lever Stopper	1	118865-0-01	
D- 2	Vertical Feed Connecting Rod	1	118758-0-01		D-18	Pin	1	118713-0-01	
D- 3	Stopper	1	101482-0-01		D-19	Screw	1	151601-0-02	
D- 4-1	Eccentric Wheel	1		D-4 Eccentric Wheel	D-20	Screw	1	151601-0-02	
D- 4-2	Screw	2	151604-0-01		D-21	Lever Feed Connecting Rod	1	118736-0-01	
D- 5-1	Screw	2	144712-0-01	D-5 Crank Rod 118725-0-01	D-22	Feed Rock Shaft Arm Pin	1	118740-0-01	
D- 5-2	Crank Rod	1			D-23-1	Lever Regulator Connecting Rod	1	118730-0-01	D-23 Feed Regulator Assembly 118727-0-01
D- 6	Screw	1	151604-0-01		D-23-2	Stop Ring	1	048040-3-42	
D- 7-1	Feed Controller Shaft	1	118744-0-01	D-7 Feed Controller Assembly 153142-0-01	D-23-3	Stud	1	118737-0-01	
D- 7-2	Screw	1	151607-0-01		D-23-4	Lever Feed Link	1	118729-0-01	
D- 7-3	Nut	1	105234-0-01		D-23-5	Screw	1	151601-0-02	
D- 7-4	Feed Controller	1			D-23-6	Stud Small	1	118732-0-01	
D- 8	Stop Ring	1	048070-3-42		D-23-7	Pin	2	118733-0-01	
D- 9	Connecting Plate	1	118746-0-01		D-23-8	Stud Large	1	118731-0-01	
D-10	Screw	2	112072-0-01		D-23-9	Feed Regulator	1		
D-11	Spring	1			D-24	Feed Regulator Shaft	2	118734-0-01	
D-12	Spring	1	100328-0-01		D-25	Screw	2	151604-0-01	
D-13	Pin	1	100327-0-01		D-26	Washer	2	118735-0-01	
D-14-1	Length Control Screw	1	109151-1-01	D-14 Length Control Assembly 181482-0-01	D-27	Washer	1	025100-1-30	
D-14-2	Packing	1	108549-0-01		D-28	Collar	1	118748-0-01	
D-14-3	Length Control Dial	1	153168-0-01		D-29-1	Collar	1		D-29 Collar 118824-0-01
D-14-4	Washer	1	142746-0-02		D-29-2	Screw	2	151604-0-01	
D-14-5	Screw	1	142747-0-02		D-30	Bolt	1	108749-0-01	
D-14-6	Feed Regulator Plate	1	151507-0-01		D-31	Feed Regulator Bracket	1	118747-0-01	
D-15-1	Packing	1	104564-0-01	D-15 Reverse Lever Assembly	D-32	Screw	1	151601-0-02	
D-15-2	Feed Controller Lever Shaft	1	118751-0-01		D-33	Feed Rock Shaft Arm Pin	1	109153-0-01	
D-15-3	Screw	1	015771-0-12						
D-15-4	Reverse Lever	1							

E. Presser Foot and Knee Lifter Mechanism

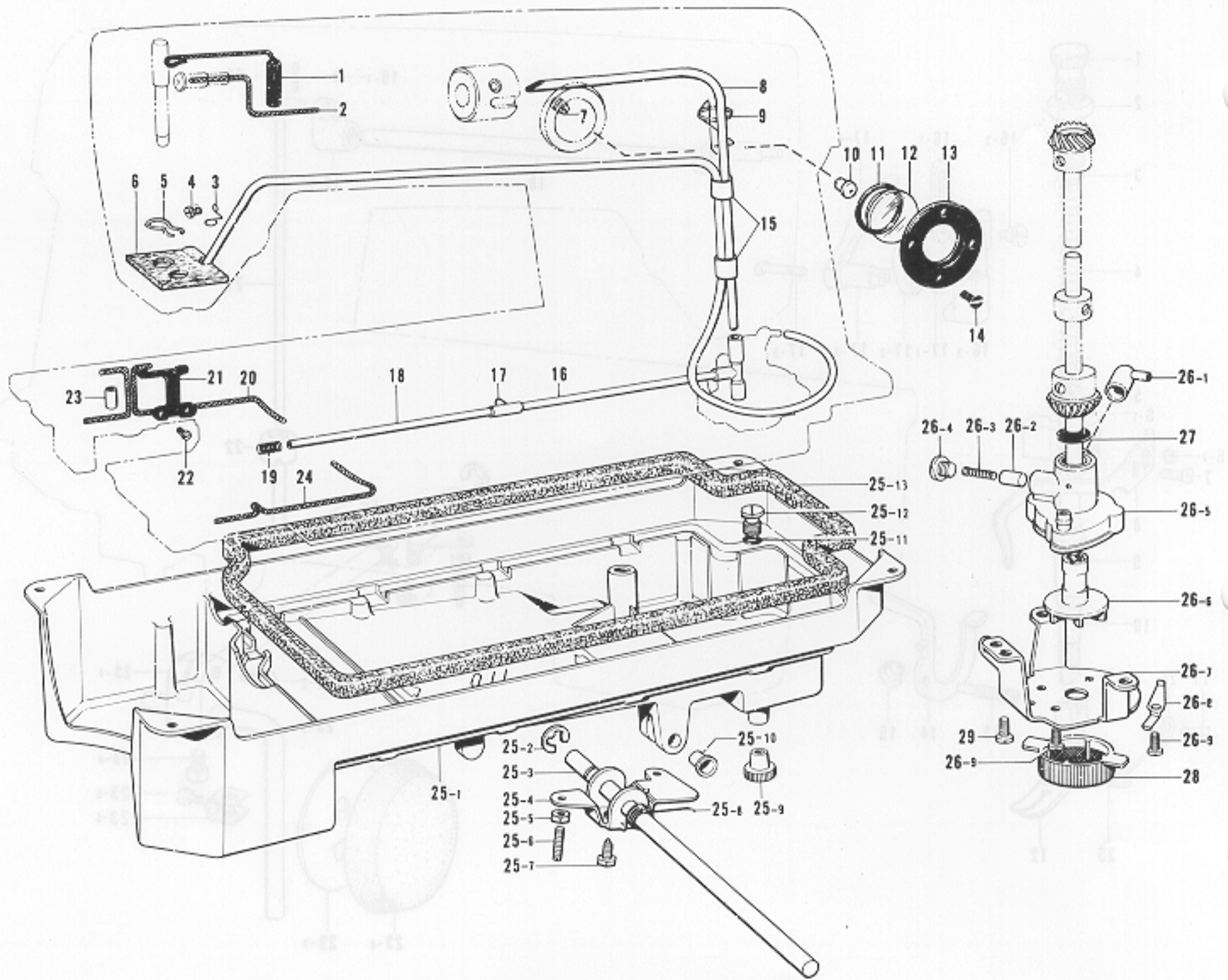


Ref. No.	Name of Parts	Q'ty	Parts No.	Assembly No.	Ref. No.	Name of Parts	Q'ty	Parts No.	Assembly No.
E-1	Screw	1	141207-0-01		E-17-1	Nut	1	021680-2-02	E-17
E-2	Nut	1	147846-0-01		E-17-2	Presser Bar Lifting Cam	1	142015-0-01	Presser Bar
E-3	Presser Spring Bar	1	141208-0-01		E-17-3	Presser Bar Lifting Shaft	1	142017-0-01	Lifting Lever
E-4	Spring	1	141728-0-01		E-17-4	Presser Bar Lifting Lever	1		Assembly
E-5	Washer	1	140407-0-01		E-17-5	Screw	1	142018-0-01	142014-0-01
E-6-1	Presser Bar Bracket	1		E-6	E-18	Knee Lifter Upper Crank Shaft	1	109145-0-01	
E-6-2	Screw	1	151604-0-01	Presser Bar Assembly 180102-0-01	E-19-1	Screw	1	100251-0-01	E-19
E-7	Screw	1	009680-7-13		E-19-2	Knee Lifter Crank Upper	1		Knee Lifter Crank Upper Assembly 142756-0-01
E-8	Presser Bar Bracket Thread Guide	1	111469-0-01		E-20	Pin	1	045161-0-00	
E-9	Presser Bar Bushing	1	111467-0-01		E-21	Knee Lifter Connecting Rod	1	141168-0-01	
E-10	Presser Bar	1	111466-0-01		E-22	Knee Lifter Complying Bar	1	145573-0-00	
E-11	Screw	1	001670-8-14		E-23-1	Knee Lifter Joint	1	146039-0-01	
E-12	Presser Foot	1			E-23-2	Bolt	1	017762-0-13	
E-13	Hinge Screw	1			E-23-3	Knee Lifter Bar	1	104619-0-02	E-23
E-14	Tension Release Lever	1			E-23-4	Bolt	1	100463-0-01	Knee Lifter Assembly 181427-0-01
E-15	Tension Release Lever Spring	1			E-23-5	Bolt	1	110087-0-01	
E-16-1	Presser Bar Lifting Connector	1	109144-0-01	E-16	E-23-6	Knee Lifter Plate Stopper	1	114967-0-01	
E-16-2	Screw	1	100294-0-01	Presser Bar Lifting Assembly 181623-0-01	E-23-7	Knee Lifter Plate	1	114966-0-01	
E-16-3	Presser Bar Lifting Bracket	1	100290-0-01		E-23-8	Knee Lifter Cover	1	140503-0-01	
					E-24	Washer	1		
					E-25	Finger Guard	1		

↑Parts E-22-23 are for -100-200 and -400 type specification.

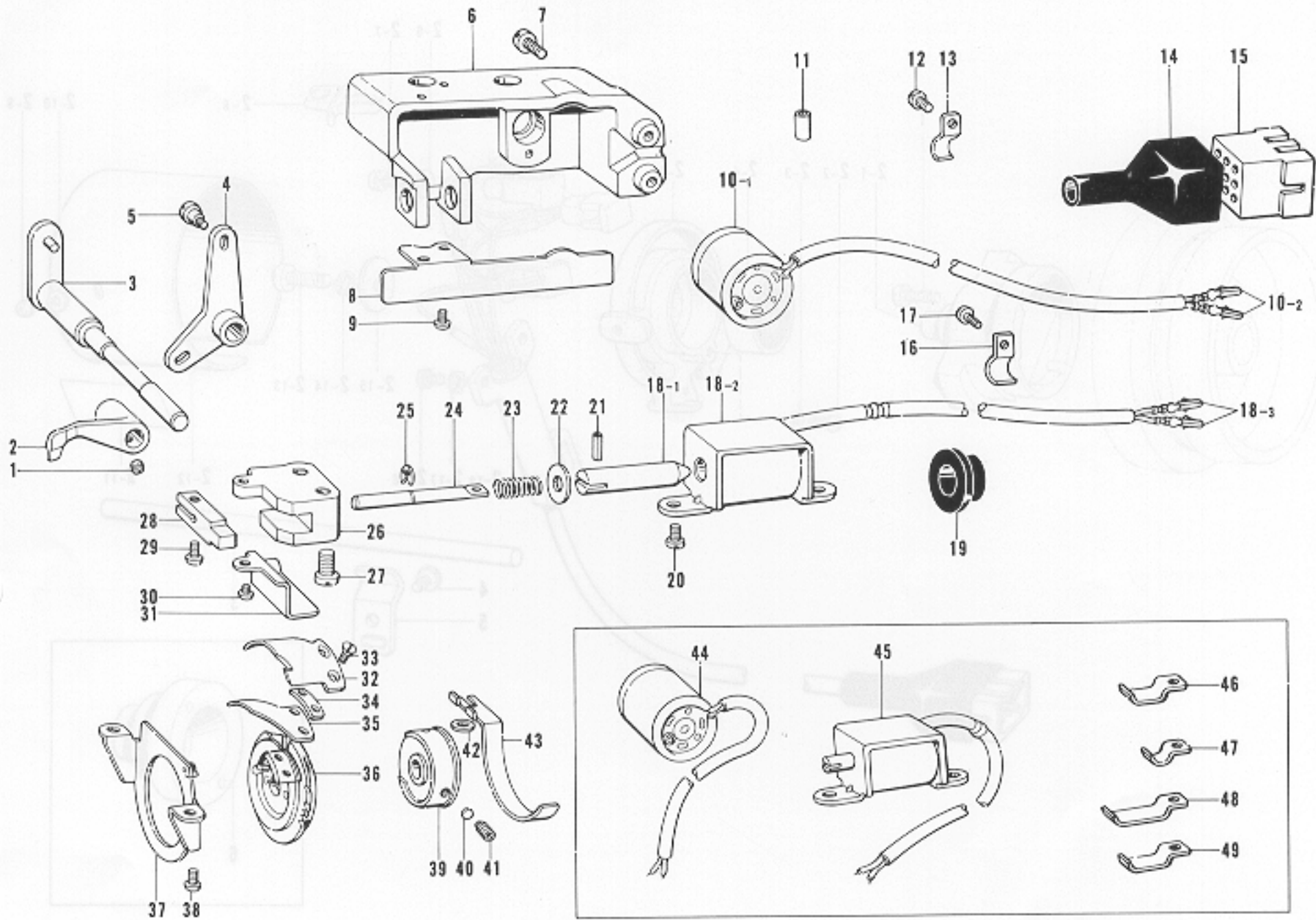
F. Lubrication

E. Presser Foot and Knee Lifter Mechanism



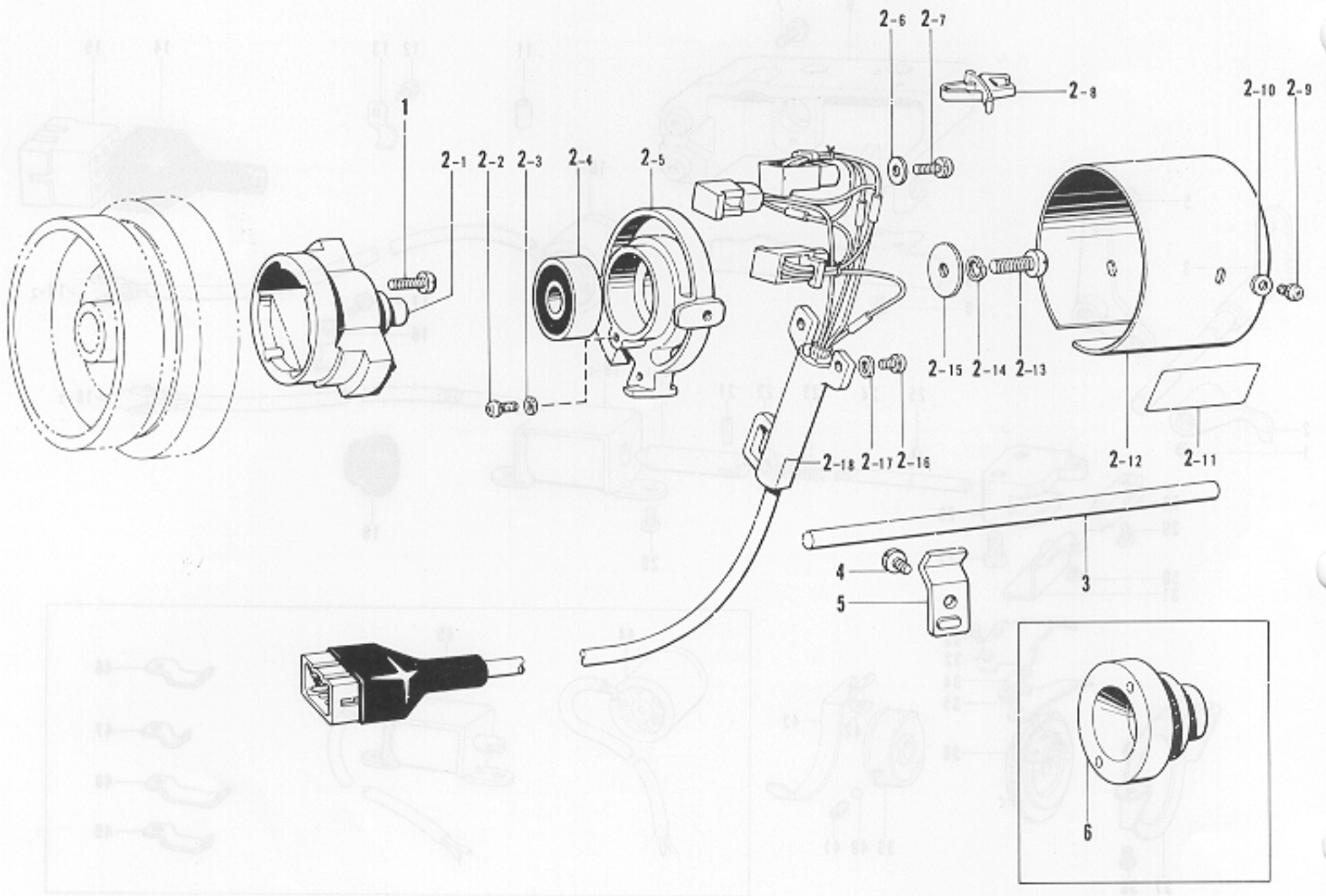
Ref. No.	Name of Parts	Q'ty	Parts No.	Assembly No.	Ref. No.	Name of Parts	Q'ty	Parts No.	Assembly No.	
F- 1	Wick	1	108804-0-01		F-25- 4	Knee Lifter	1	146037-0-01	F-25 Oil Pan Assembly	
F- 2	Wick	1	109405-0-01		F-25- 5	Nut	2	100022-0-04		
F- 3	Tube Stopper	1	148806-0-01		F-25- 6	Screw	2	104885-0-01		
F- 4	Screw	1	009670-5-12		F-25- 7	Bolt	1	146367-0-01		
F- 5	Felt Support	1	145737-0-01		F-25- 8	Spring	1			
F- 6	Dust Cover with Tube	1	145792-0-01		F-25- 9	Oil Cap	1	140480-0-01		
F- 7	Screw	1	151603-0-02		F-25-10	Knee Lifter Shaft Bushing	2	149578-0-00		
F- 8	Upper Oil Tube	1	146329-0-00		F-25-11	O Ring	1	081007-0-70		
F- 9	Tube Guard	1	146326-0-01		F-25-12	Screw	1	140518-0-01		
F-10	Oil Hole Bolt for Oil Gauge	1	143196-0-01		F-25-13	Packing	1	146040-0-01		
F-11	Packing	1	081014-6-70		F-26- 1	Tube Joint	1	144878-0-01		F-26 Pump Body Assembly 181476-1-01
F-12	Oil Gauge Window	1	104547-0-01		F-26- 2	Plunger	1	144875-0-01		
F-13	Oil Gauge Flange	1	104546-0-01		F-26- 3	Spring	1	144876-0-01		
F-14	Screw	4	102538-0-02		F-26- 4	Screw	1	112467-0-02		
F-15	Vinyl Tube	2	118996-0-00		F-26- 5	Pump Body	1	148848-0-01		
F-16	Oil Tube	1	146319-0-01		F-26- 6	Pump Propeller	1	148849-0-01		
F-17	Tube Joint	1	146324-0-01		F-26- 7	Pump	1	144869-0-01		
F-18	Vinyl Tube	1	146323-0-00		F-26- 8	Spring	2	144874-0-01		
F-19	Spring	1	100328-0-01		F-26- 9	Screw	4	009670-8-12		
F-20	Wick	1	108801-0-01		F-27	Oil Stopper	1	146196-0-01		
F-21	Wick Supporter	1	109171-0-01		F-28	Pump Filter	1	144872-0-01		
F-22	Screw	2	009679-3-12		F-29	Screw	3	009680-7-13		
F-23	Vinyl Tube	1	104566-0-01							
F-24	Wick	1	108802-0-01							
F-25-1	Oil Pan	1		F-25 Oil Pan Assembly						
F-25-2	Stop Ring	1	146293-0-01							
F-25-3	Knee Lifter Shaft	1								

G. Thread Trimmer and Tension Releaser (-100, -200, -400, -500)



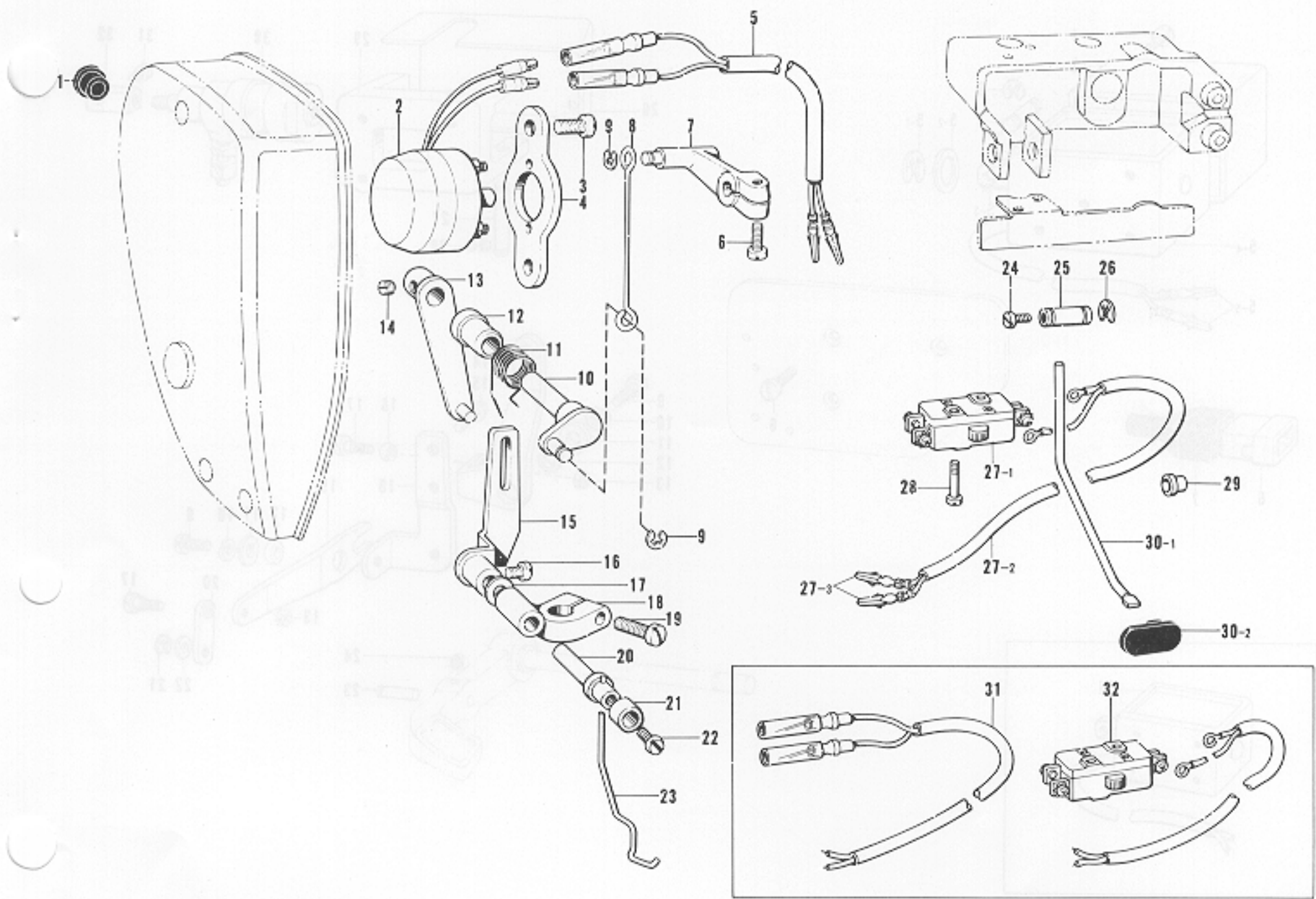
Ref. No.	Name of Parts	Q'ty	Parts No.	Assembly No.	Ref. No.	Name of Parts	Q'ty	Parts No.	Assembly No.
G-1	Screw	1	102716-0-03		G-23	Spring	1	145621-0-01	
G-2	Thread Release Lever	1	148327-0-01		G-24	Stud	1	145620-0-01	
G-3	Thread Release Stud	1	148339-0-01		G-25	Stop Ring	1	048030-3-42	
G-4	Thread Release Link	1	147106-0-01		G-26	Stopper Guide	1	145618-0-01	
G-5	Screw	1	120263-0-01		G-27	Screw	2	145619-0-01	
G-6	Solenoid Holder	1	147110-1-01		G-28	Stopper	1	145617-0-01	
G-7	Screw	2	009681-0-13		G-29	Screw	1	009660-7-12	
G-8	Solenoid Cover	1	148451-0-01		G-30	Screw	1	009679-3-12	
G-9	Screw	2			G-31	Oil Stopper Plate	1	145623-0-01	
G-10-1	Rotary Solenoid	1		G-10 Tension Release Solenoid Assembly	G-32	Movable Knife	1		
G-10-2	Terminal Pin	2	143549-0-00		G-33	Screw	2	141542-0-01	
G-11	Vinyl Tube	1	121823-0-01		G-34	Spacer	1		
G-12	Screw	2	009670-6-12		G-35	Lower Thread Finger	1	145610-1-01	
G-13	Supporter	2			G-36	Movable Knife Holder Assembly	1	145601-0-01	
G-14	Connector Cap	1			G-37	Holder Plate	1	145933-0-01	
G-15	Nylon Connector	1			G-38	Screw	2	009680-6-12	
G-16	Cord Holder	2	145595-0-01		G-39	Thread Trimming Clutch	1	149709-0-01	
G-17	Screw	2	009680-6-12		G-40	Washer	3	147697-0-01	
G-18-1	Plunger	1		G-18 Thread Trimming Solenoid Assembly	G-41	Screw	3	014680-6-22	
G-18-2	Solenoid Coil	1			G-42	Washer	1	025680-1-33	
G-18-3	Terminal Pin	2	143549-0-00		G-43	Movable Knife Cover	1	147946-0-01	
G-19	Bushing	1	146080-0-00		G-44	Rotary Solenoid	1		
G-20	Screw	2	009680-7-12		G-45	Thread Trimmer Solenoid	1		
G-21	Pin	1	047300-8-42		G-46	Tube Holder	2		
G-22	Washer	1	025040-3-35		G-47	Cord Holder	2		
					G-48	Cord Holder	1		
					G-49	Cord Holder	1		

H. Synchronizer (-100, -200, -400, -500)



Ref. No.	Name of Parts	Q'ty	Parts No.	Assembly No	Ref. No.	Name of Parts	Q'ty	Parts No.	Assembly No.
H-1	Screw	2	009781-4-12		H-2-12	Synchronizer Cover	1	218941-0-01	H-2 Synchronizer Assembly
H-2-1	Magnet Stud	1			H-2-13	Screw	1	216880-0-01	
H-2-2	Screw	1	215083-0-01		H-2-14	Spring Washer	1	028060-2-43	
H-2-3	Washer	1	025030-3-35		H-2-15	Washer	1	025060-3-35	
H-2-4	Bearing	1			H-2-16	Screw	2	215080-0-01	
H-2-5	Hole IC Holder	1		H-2	H-2-17	Washer	2	025040-1-35	
H-2-6	Washer	3	025040-3-35	Synchronizer Assembly	H-2-18	Hole IC with Cord	1	218953-0-01	
H-2-7	Screw	3	217093-0-01		H-3	Synchronizer Holder Bar	1		
H-2-8	Cord Holder	1			H-4	Screw	2	009711-4-12	
H-2-9	Screw	2	215080-0-01		H-5	Holder	1		
H-2-10	Washer	2	025040-1-35		H-6	Slip Ring Support	1		
H-2-11	Label	1							

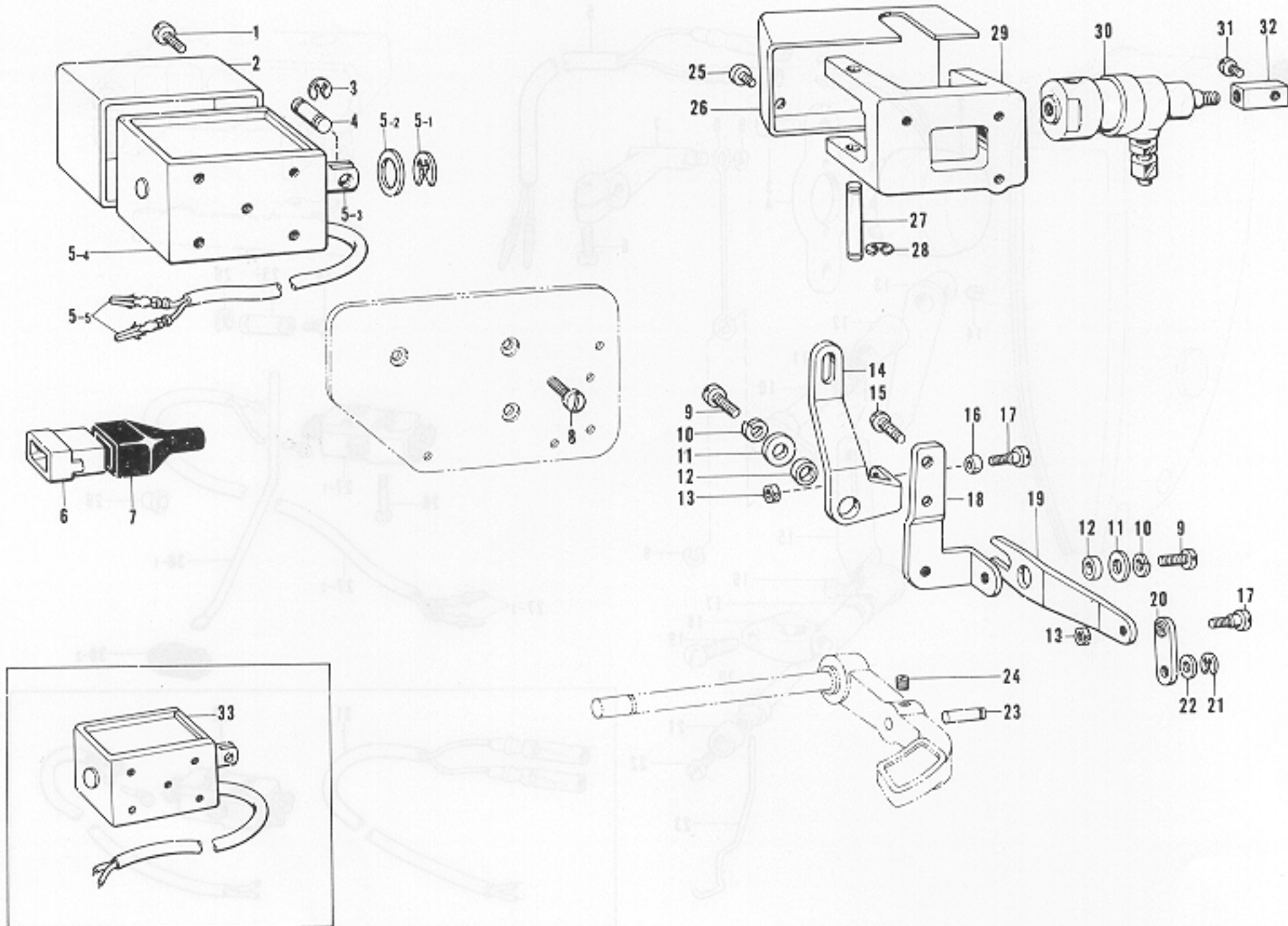
J. Thread Wiper and Reverse Switch Mechanism (-200, -400, -500)



Ref. No.	Name of Parts	Q'ty	Parts No.	Assembly No.	Ref. No.	Name of Parts	Q'ty	Parts No.	Assembly No.
J-1	Bushing	1	146080-0-00		J-20	Thread Wiper Stud	1	146092-0-01	
J-2	Thread Wiper Solenoid	1	146082-0-00		J-21	Thread Wiper Stud Collar	1	146288-0-01	
J-3	Screw	2	009680-8-12		J-22	Screw	1	001670-5-14	
J-4	Solenoid Set Plate	1	146081-0-01		J-23	Thread Wiper	1	146094-0-01	
J-5	Cord	1			J-24	Screw	1	009681-4-14	
J-6	Screw	1	009671-0-13		J-25	Actuator Pin	1	146125-0-01	
J-7	Solenoid Link	1	146086-0-01		J-26	Stop Ring	2	048080-3-42	
J-8	Wire Link	1	146087-0-01		J-27-1	Micro Switch	1	140643-0-00	J-27 Switch
J-9	Stop Ring	2	048025-3-42		J-27-2	Cord	1	146122-0-00	
J-10	Thread Wiper Crank	1	146088-0-01		J-27-3	Terminal Pin	2	143549-0-00	
J-11	Spring	1	146089-0-01		J-28	Screw	2	146124-0-01	
J-12	Bushing	1	146079-0-01		J-29	Bushing	1	146080-0-00	
J-13	Thread Wiper Lever	1	146090-0-01		J-30-1	Actuator Bar	1	148461-0-01	J-30 Actuator Assembly 148460-0-01
J-14	Screw	2	102716-0-02		J-30-2	Actuator	1	146128-0-00	
J-15	Grooved Link	1	146091-0-01		J-31	Cord	1		
J-16	Screw	1	111443-0-01		J-32	Switch	1		
J-17	Washer	1	102707-0-02						
J-18	Thread Wiper Supporter	1	146095-0-01						
J-19	Screw	1	009681-4-14						

★Parts J-1~J-23 are for -200 · -400 and -500 type specification, and Parts J-24~J-30 are for -400 and -500 one.

K. Reverse Mechanism (-400, -500)

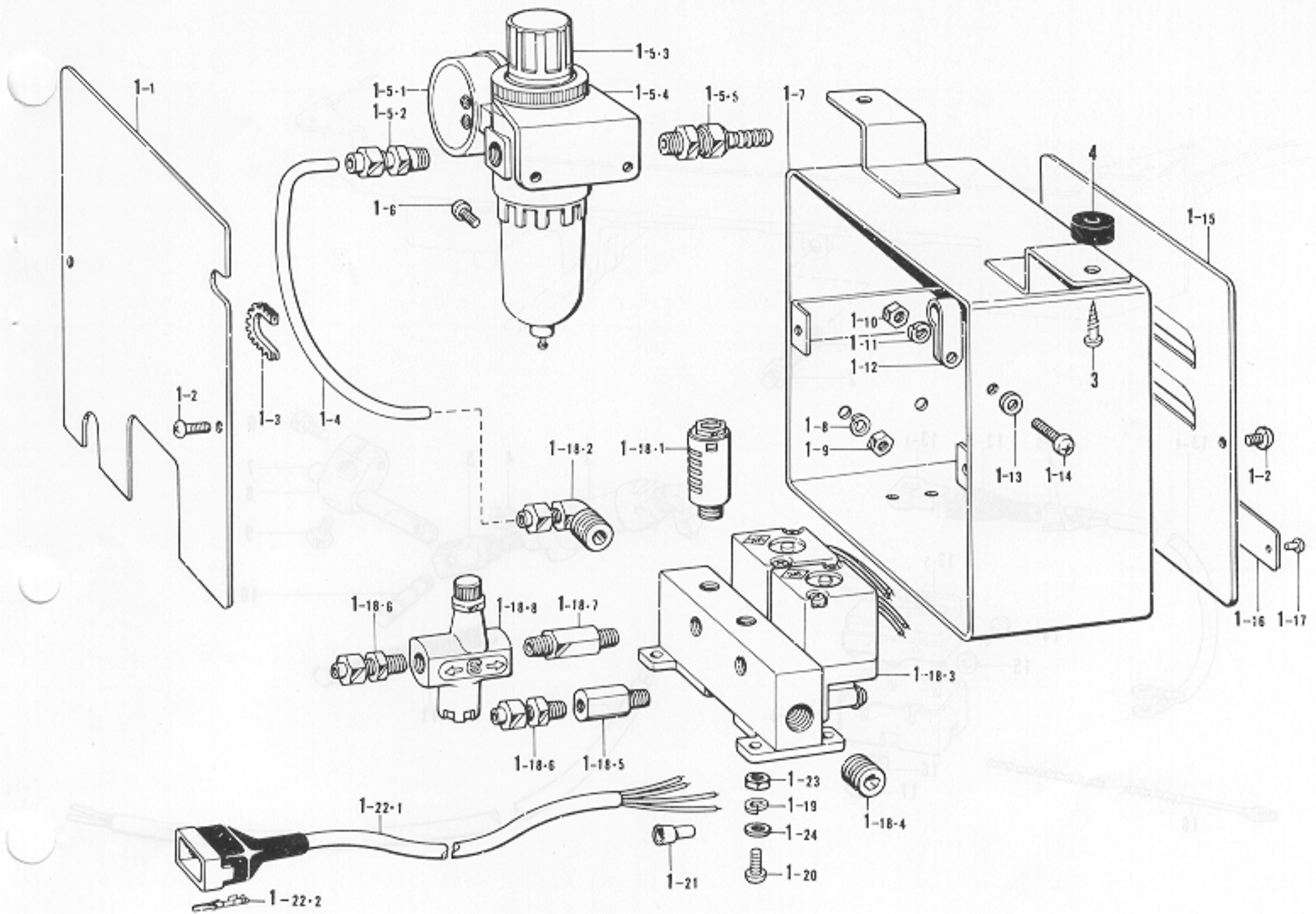


Ref. No.	Name of Parts	Q'ty	Parts No.	Assembly No.	Ref. No.	Name of Parts	Q'ty	Parts No.	Assembly No.
K-1	Screw	1	007501-2-02		K-16	Bushing	1	141331-0-01	
K-2	Solenoid Cover	1	148465-0-00		K-17	Screw	2	141494-0-01	
K-3	Stop Ring	2	048040-3-42		K-18	Solenoid Lever Bracket	1	148454-0-01	
K-4	Pin	1	147754-0-01		K-19	Reverse Link	1	148455-0-01	
K-5-1	Stop Ring	1	146103-0-01	K-5 Reverse Solenoid Assembly	K-20	Connecting Link	1	148467-0-01	
K-5-2	Rubber Stopper	1	146104-0-00		K-21	Stop Ring	1	048040-3-42	
K-5-3	Plunger	1			K-22	Washer	1	146115-0-00	
K-5-4	Solenoid	1			K-23	Pin	1	146114-0-01	
K-5-5	Terminal Pin	2	143549-0-00		K-24	Screw	1	013679-4-12	
K-6	6P Connector	1		K-25	Screw	2	009670-5-13		
K-7	Connector Cap	1		K-26	Cover	1	146156-0-01		
K-8	Screw	3	007500-8-12	K-27	Cylinder Supporter Shaft	1	146148-0-01		
K-9	Screw	2	009761-4-12	K-28	Stop Ring	2	048040-3-42		
K-10	Washer	2	028060-2-42	K-29	Cylinder Holder	1	148853-0-01		
K-11	Washer	2	141343-0-02	K-30	Reverse Cylinder	1	146149-0-01		
K-12	Collar	2	148456-0-01	K-31	Screw	1	141598-0-01		
K-13	Nut	2	150553-0-01	K-32	Piston Rod Connector	1	148854-0-01		
K-14	Solenoid Lever	1	148453-0-01	K-33	Reverse Solenoid	1			
K-15	Bolt	2	146360-0-02						

★Parts K-1~K-24 are for -400 type specification, and Parts K-8~K-32 are for -500 one.

L. Control Box Mechanism (-500)

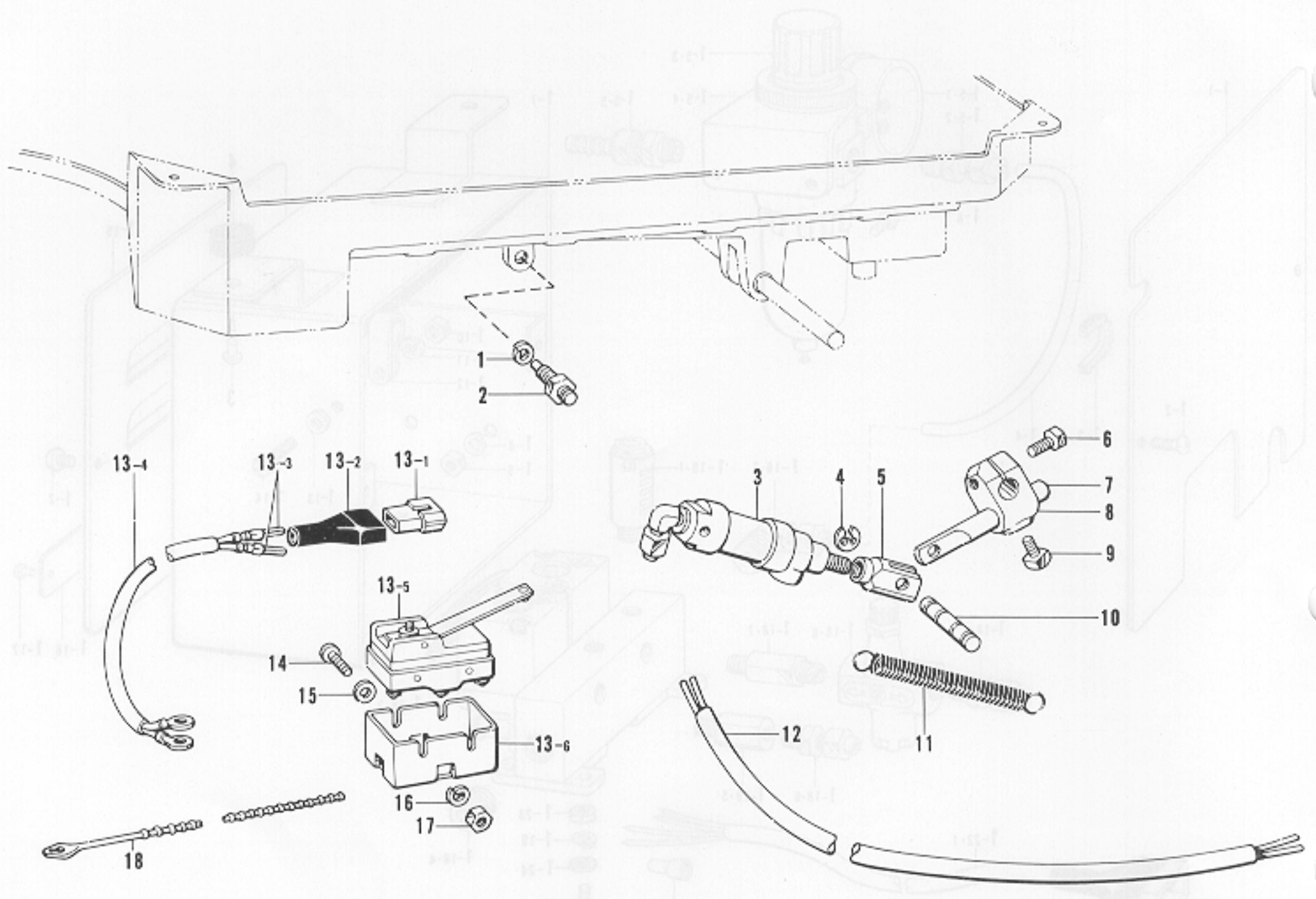
(00) Presser Lifter Mechanism (-500)



Ref. No.	Name of Parts	Q'ty	Parts No.	Assembly No.	Ref. No.	Name of Parts	Q'ty	Parts No.	Assembly No.
L-1-1	Rear Cover	1			L-1-16	Name Plate	1		
L-1-2	Screw	4	008400-5-64		L-1-17	Rivet	1		
L-1-3	Nylon Bushing	1	146171-0-00		L-1-18-1	Silencer	2	140682-0-01	L-1-18 Solenoid Valve Assembly 149543-0-01
L-1-4	Air Tube	1	140540-0-00		L-1-18-2	1/4" Elbow	1	140538-0-00	
L-1-5-1	Presser Gauge	1		L-1-5 Air Filter Unit 143959-1-03	L-1-18-3	Solenoid Valve	1	149544-0-01	
L-1-5-2	1/4" Connector Assembly	1	142349-0-00		L-1-18-4	1/4" Cap	1	140542-0-01	
L-1-5-3	Valve	1	143960-1-01		L-1-18-5	Valve Connector	1	140539-0-00	
L-1-5-4	Air Unit Holder Plate	1			L-1-18-6	1/8" Connector	2	140543-0-00	
L-1-5-5	Air Tube Connector	1	140678-0-00		L-1-18-7	Speed Control Connector	1	142037-0-00	
L-1-6	Screw	2	002501-0-64		L-1-18-8	Speed Controller	1	142038-0-01	
L-1-7	Air Control Box	1		L-1 Air Control Box Assembly 149539-0-01	L-1-19	Washer	4	028040-2-43	L-1 Air Control Box Assembly 149539-0-01
L-1-8	Washer	2	028050-2-43		L-1-20	Screw	4	002401-2-03	
L-1-9	Nut	2	021500-1-63		L-1-21	Connector	4	206755-0-00	
L-1-10	Nut	1	021300-1-03		L-1-22	Valve Cord	1	149545-0-01	
L-1-11	Washer	1	028030-2-43		L-1-23	Nut	4	021400-1-03	
L-1-12	Cord Holder	1	149547-0-00		L-1-24	Washer	4	025040-1-33	
L-1-13	Washer	1	025030-1-33		L-3	Screw	2	031483-2-03	
L-1-14	Screw	1	002301-0-03		L-4	Rubber Cushion	2	115018-0-01	
L-1-15	Front Cover	1							

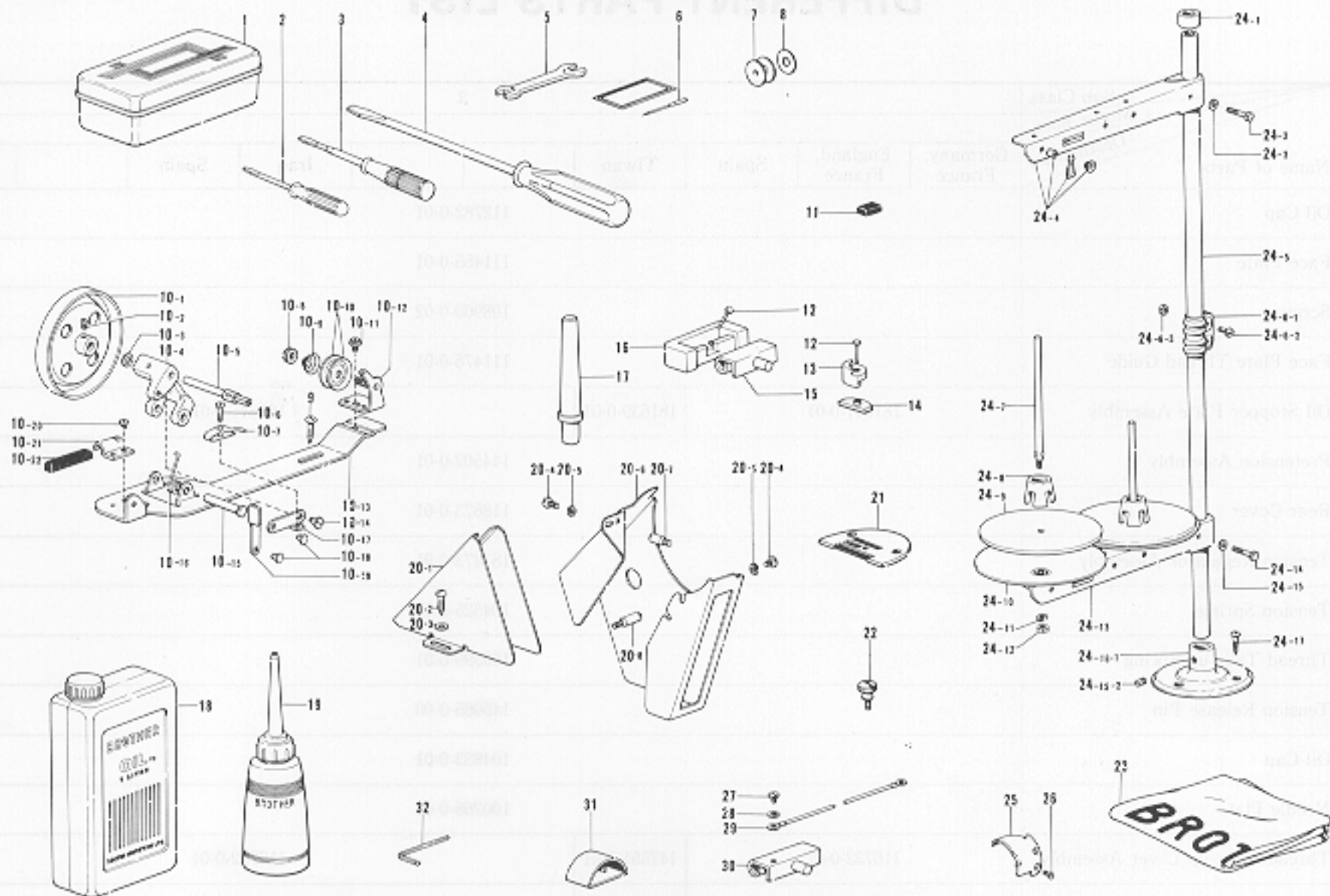
M. Presser Lifter Mechanism (-500)

Control Box Mechanism (-500)



Ref. No.	Name of Parts	Q'ty	Parts No.	Assembly No.	Ref. No.	Name of Parts	Q'ty	Parts No.	Assembly No.
M-1	Washer	2	028060-2-40		M-12	Air Tube	1	149548-0-01	
M-2	Screw	2	147141-0-01		M-13-1	Nylon Connector	1	143488-0-01	M-13 Presser Foot Lifter Cord Assembly 146160-0-01
M-3	Presser Foot Cylinder	1	146157-0-01		M-13-2	Connector Cap	1	143489-0-01	
M-4	Stop Ring	2	048040-3-42		M-13-3	Terminal Pin	2	143549-0-00	
M-5	Piston Rod Joint	1	140627-0-01		M-13-4	Presser Foot Lifter Cord	1	146161-0-00	
M-6	Bolt	1	017762-0-13		M-13-5	Micro Switch	1	140948-0-01	
M-7	Piston Drive Link	1	140668-0-01		M-13-6	Cover	1	140950-0-00	
M-8	Knee Lifter Joint	1	146039-0-01		M-14	Screw	2	002303-0-06	
M-9	Bolt	1	100463-0-01		M-15	Washer	2	025030-2-33	
M-10	Pin	1	146986-0-01		M-16	Washer	2	028030-2-43	
M-11	Spring	2	146985-0-01		M-17	Nut	2	021300-1-03	
					M-18	Bead Band	1	144189-0-01	

Z. Accessories



Ref. No.	Name of Parts	Q'ty	Parts No.	Assembly No.	Ref. No.	Name of Parts	Q'ty	Parts No.	Assembly No.
Z- 1	Accessory Box		110436-0-01		Z-18	Oil Tank		145277-1-03	
Z- 2	Screw Driver		142443-0-01		Z-19	Oiler		114483-0-01	
Z- 3	Screw Driver		118837-0-01		Z-20- 1	Belt Cover D			Z-20 Belt Cover Assembly
Z- 4	Screw Driver		101572-1-01		Z-20- 2	Screw		100666-0-02	
Z- 5	Spanner		100887-0-01		Z-20- 3	Washer		025750-1-32	
Z- 6	Needle				Z-20- 4	Screw		009680-8-12	
Z- 7	Bobbin		146290-0-01		Z-20- 5	Washer		028680-2-42	
Z- 8	Bobbin Case Sheet				Z-20- 6	Belt Cover UA			
Z- 9	Screw		100666-0-02		Z-20- 7	Stud		147856-0-01	
Z-10- 1	Bobbin Winder Wheel Assembly			Z-10 Bobbin Winder Assembly 117963-0-01	Z-20- 8	Stud		147855-0-01	
Z-10- 2	Screw		100366-0-02		Z-21	Needle Plate			
Z-10- 3	Washer				Z-22	Screw			
Z-10- 4	Bobbin Winder Wheel Shaft Bushing				Z-23	Head Cover		144222-0-01	
Z-10- 5	Bobbin Winder Shaft		117970-0-01		Z-24- 1	Cap			
Z-10- 6	Screw		100657-0-01		Z-24- 2	Bolt		017502-8-03	
Z-10- 7	Bobbin Presser				Z-24- 3	Washer		025050-2-33	
Z-10- 8	Nut				Z-24- 4	Thread Hanger Assembly		150192-0-01	
Z-10- 9	Spring		100401-0-01		Z-24- 5	Pipe		150172-0-01	
Z-10-10	Tension Disc		145446-0-01		Z-24- 6-1	Joint		150173-0-01	
Z-10-11	Screw				Z-24- 6-2	Screw		150202-0-01	
Z-10-12	Bobbin Winder Wheel Guide Bracket Assembly				Z-24- 6-3	Nut		021500-1-03	
Z-10-13	Bobbin Winder Wheel Bracket				Z-24- 7	Spool Shaft		150179-0-01	
Z-10-14	Screw		100659-0-01		Z-24- 8	Spool Cushion		147060-0-01	
Z-10-15	Pin				Z-24- 9	Spool Mat		150182-0-00	
Z-10-16	Spring		117969-0-01		Z-24-10	Spool Stand Base		150180-0-00	
Z-10-17	Bobbin Presser Arm				Z-24-11	Spring Washer		028050-2-43	
Z-10-18	Pin		100661-0-01		Z-24-12	Nut		021500-1-03	
Z-10-19	Bobbin Presser Arm Bracket				Z-24-13	Spool Holder Assembly		150177-0-01	
Z-10-20	Screw		009679-3-12		Z-24-14	Bolt		017502-8-03	
Z-10-21	Bobbin Winder Wheel Stopper Holder				Z-24-15	Washer		025050-2-33	
Z-10-22	Bobbin Winder Wheel Stopper		100662-0-01		Z-24-16-1	Cotton Stand Base		150189-0-01	
Z-11	Magnet		112525-0-00	Z-24-16-2	Screw		150181-0-01		
Z-12	Nail		109714-0-00	Z-24-17	Screw		031452-2-03		
Z-13	Head Cushion		146003-1-01	Z-25	Movable Knife				
Z-14	Oil Pan Cushion		146004-0-01	Z-26	Screw		141542-0-01		
Z-15	Hinge		143882-0-01	Z-27	Screw		009680-6-13		
Z-16	Blower		143910-0-01	Z-28	Washer		025680-2-34		
Z-17	Head Rest		100477-0-01	Z-29	Earth Wire		145946-0-01		
				Z-30	Head Hinge		145945-0-01		
				Z-31	Movable Knife Case		145990-0-01		
				Z-32	Spanner		146049-0-01		

* The details of included accessories are subject to change.

* Änderungen in der Aufstellung der mitgelieferten Zubehöre sind vorbehalten.

* Les détails des accessoires inclus sont sujets à des changements.

* Los detalles de los accesorios incluidos pueden variar.

DIFFERENT PARTS LIST

-3

Ref. No.	Name of Parts	Sub Class		3						
		Motor Spec.	Destination	Germany, France	England, France	Spain	Tiwan		Iraq	Spain
A- 2	Oil Cap									112782-0-01
A- 4	Face Plate									111455-0-01
A- 6	Screw									108960-0-02
A- 7	Face Plate Thread Guide									111476-0-01
A- 8	Oil Stopper Plate Assembly			181641-0-01			181639-0-01			181641-0-01
A-20	Pretension Assembly									144502-0-01
A-21	Rear Cover									118673-0-01
A-32	Tension Regulator Assembly									181473-0-01
A-32-2	Tension Spring									104525-0-01
A-32-6	Thread Take-up Spring									100399-0-01
A-33	Tension Release Pin									146065-0-00
A-37	Oil Cap									104833-0-01
A-40	Needle Plate									100266-0-01
B- 4	Thread Take-up Lever Assembly			116732-0-01			147551-0-01			116732-0-01
B- 4-3	Needle Roller Bearing			116735-0-00			147777-0-00			116735-0-00
B- 4-5	Cap									145600-0-00
B- 4-9	Needle Bar Connector			140353-0-01			145466-0-01			140353-0-01
B-12	Needle Bar	145268-0-01								111462-0-01
B-14	Needle Bar Bushing Lower	142116-0-01								117243-0-01
B-16	Needle Bar Thread Guide									112775-0-01
B-18	Needle	107415-0-14								100265-0-34
B-22	Thread Take-up Crank			142782-0-00			148965-0-00			142782-0-00
B-45	Pulley									115244-0-01
C- 5	Feed Dog									100334-0-01
C-18	Lower Shaft									109160-0-01
C-19	Felt									106436-0-01
C-22	Screw									107407-0-03
C-23	Bobbin Case Assembly									100369-0-01
C-24	Bobbin Case Sheet									140356-0-01
C-26	Rotary Hook Assembly									116780-0-01
C-27	Oil Stopper Assembly									144943-0-01
C-47	Bobbin Presser Spring									
D- 4	Eccentric Wheel									180792-0-01
D-11	Spring									118753-0-01
D-15	Reverse Lever Assembly									181678-0-01
D-15-4	Reverse Lever									118752-0-01
E-12	Presser Foot									113280-0-01
E-13	Hinge Screw									109163-0-01
E-14	Tension Release Lever									111470-0-00
E-15	Tension Release Lever Spring									100405-0-01

Ref. No.	Name of Parts	Sub Class Motor Spec. Destination	3												
			Germany, France	England, France	Spain	Tiwan			Iraq	Spain					
E-24	Washer	025350-1-34													
E-25	Finger Guard	150384-0-01													
F-25	Oil Pan Assembly									181420-2-01					
F-25-1	Oil Pan									149580-0-01					
F-25-3	Knee Lifter Shaft									146036-1-01					
F-25-8	Spring									146038-0-01					
G-9	Screw														
G-10	Tension Release Solenoid Assembly														
G-13	Supporter														
G-14	Connector Cap														
G-15	Nylon Connector														
G-18	Thread Trimming Solenoid Assembly														
G-32	Movable Knife														
G-34	Spacer														
G-44	Rotary Solenoid														
G-45	Thread Trimming Solenoid														
G-46	Tube Holder														
G-47	Cord Holder														
G-48	Cord Holder														
G-49	Cord Holder														
H-2	Synchronizer Assembly														
H-3	Synchronizer Holder Bar														
H-5	Holder														
H-6	Slip Ring Support														
J-5	Cord														
J-7	Switch														
J-31	Cord														
J-32	Switch														
K-5	Reverse Solenoid Assembly														
K-6	6P Connector														
K-7	Connector Cap														
K-33	Reverse Solenoid														
Z-5	Needle	107415-0-14								100265-0-34					
Z-8	Bobbin Case Sheet									140356-0-01					
Z-20	Belt Cover Assembly		147895-0-11									147895-0-11			
Z-21	Needle Plate									100267-0-01					
Z-22	Screw									106120-0-03					
Z-24	Cotton Stand Assembly		150150-0-01								150150-0-01				150150-0-01
Z-25	Movable Knife														

Ref. No.	Name of Parts	Sub Class		Motor Spec.		Destination		5	
		France	France			Spain	Spain		
A- 2	Oil Cap							112782-0-01	
A- 4	Face Plate							111455-0-01	
A- 6	Screw							108960-0-02	
A- 7	Face Plate Thread Guide							111476-0-01	
A- 8	Oil Stopper Plate Assembly							181641-0-01	
A-20	Pretension Assembly							144502-0-01	
A-21	Rear Cover							118673-0-01	
A-32	Tension Regulator Assembly							181473-0-01	
A-32-2	Tension Spring							104525-0-01	
A-32-6	Thread Take-up Spring							100399-0-01	
A-33	Tension Release Pin							146065-0-00	
A-37	Oil Cap							104833-0-01	
A-40	Needle Plate							100267-0-01	
B- 4	Thread Take-up Lever Assembly							116732-0-01	
B- 4-3	Needle Roller Bearing							116735-0-00	
B- 4-5	Cap							145600-0-00	
B- 4-9	Needle Bar Connector							140353-0-01	
B-12	Needle Bar							145258-0-01	
B-14	Needle Bar Bushing Lower							142116-0-01	
B-16	Needle Bar Thread Guide							112775-0-01	
B-18	Needle	107415-0-18						100265-0-41	
B-22	Thread Take-up Crank							111465-0-00	
B-45	Pulley							115244-0-01	
C- 5	Feed Dog							100334-0-01	
C-18	Lower Shaft							109160-0-01	
C-19	Felt							106436-0-01	
C-22	Screw							107407-0-03	
C-23	Bobbin Case Assembly							100369-0-01	
C-24	Bobbin Case Sheet							140356-0-01	
C-26	Rotary Hook Assembly							116780-0-01	
C-27	Oil Stopper Assembly							144943-0-01	
C-47	Bobbin Presser Spring								
D- 4	Eccentric Wheel							145269-0-01	
D-11	Spring							145643-0-01	
D-15	Reverse Lever Assembly							181678-0-01	
D-15-4	Reverse Lever							118752-0-01	
E-12	Presser Foot							113280-0-01	
E-13	Hinge Screw							109163-0-01	
E-14	Tension Release Lever							111470-0-00	
E-15	Tension Release Lever Spring							100405-0-01	

Ref. No.	Name of Parts	Sub Class	5					
		Motor Spec.	France	France			Spain	Spain
		Destination						
E-24	Washer		025350-1-34					
E-25	Finger Guard		150384-0-01					
F-25	Oil Pan Assembly				181420-2-01			
F-25-1	Oil Pan				149580-0-01			
F-25-3	Knee Lifter Shaft				146036-1-01			
F-25-8	Spring				146038-0-01			
G-9	Screw							
G-10	Tension Release Solenoid Assembly							
G-13	Supporter							
G-14	Connector Cap							
G-15	Nylon Connector							
G-18	Thread Trimming Solenoid Assembly							
G-32	Movable Knife							
G-34	Spacer							
G-44	Rotary Solenoid							
G-45	Thread Trimming Solenoid							
G-46	Tube Holder							
G-47	Cord Holder							
G-48	Cord Holder							
G-49	Cord Holder							
H-2	Synchronizer Assembly							
H-3	Synchronizer Holder Bar							
H-5	Holder							
H-6	Slip Ring Support							
J-5	Cord							
J-7	Switch							
J-31	Cord							
J-32	Switch							
K-5	Reverse Solenoid Assembly							
K-6	6P Connector							
K-7	Connector Cap							
K-33	Reverse Solenoid							
Z-6	Needle		107415-0-18			100265-0-41		
Z-8	Bobbin Case Sheet				140356-0-01			
Z-20	Belt Cover Assembly		147895-0-11					147895-0-11
Z-21	Needle Plate				100267-0-01			
Z-22	Screw				106120-0-03			
Z-24	Cotton Stand Assembly		150150-0-01			150150-0-01		150150-0-01
Z-25	Movable Knife							

Ref. No.	Name of Parts	Sub Class		103			105			
		Motor Spec.	Destination	Brother		Efka		Brother		Efka
							Germany, France			
A- 2	Oil Cap					112782-0-01				112782-0-01
A- 4	Face Plate					111455-0-01				111455-0-01
A- 6	Screw									
A- 7	Face Plate Thread Guide									
A- 8	Oil Stopper Plate Assembly					181641-0-01				181641-0-01
A-20	Pretension Assembly									
A-21	Rear Cover					118673-0-01				118673-0-01
A-32	Tension Regulator Assembly					181473-0-01				181635-0-01
A-32-2	Tension Spring					104525-0-01				145153-0-01
A-32-6	Thread Take-up Spring					100399-0-01				145519-0-01
A-33	Tension Release Pin					146065-0-00				146065-0-00
A-37	Oil Cap					142274-0-01				142274-0-01
A-40	Needle Plate					145971-0-01				147245-0-01
B- 4	Thread Take-up Lever Assembly					116732-0-01				116732-0-01
B- 4-3	Needle Roller Bearing					116735-0-00				116735-0-00
B- 4-5	Cap					145600-0-00				145600-0-00
B- 4-9	Needle Bar Connector					140353-0-01				140353-0-01
B-12	Needle Bar					145467-0-01			147518-0-01	145986-0-01
B-14	Needle Bar Bushing Lower					117243-0-01				142116-0-01
B-16	Needle Bar Thread Guide					145944-0-01				145944-0-01
B-18	Needle					100265-0-34			107415-0-14	100265-0-42
B-22	Thread Take-up Crank					142782-0-00				111465-0-00
B-45	Pulley					148823-0-01				148823-0-01
C- 5	Feed Dog					100334-0-01				144500-0-01
C-18	Lower Shaft					145517-0-01				145517-0-01
C-19	Felt					145751-0-01				145751-0-01
C-22	Screw					009681-0-12				009681-0-12
C-23	Bobbin Case Assembly					148350-1-01				148350-1-01
C-24	Bobbin Case Sheet									
C-26	Rotary Hook Assembly					145585-1-01				145585-1-01
C-27	Oil Stopper Assembly									
C-47	Bobbin Presser Spring					148967-1-01				148967-1-01
D- 4	Eccentric Wheel					186792-0-01				145269-0-01
D-11	Spring					118753-0-01				145643-0-01
D-15	Reverse Lever Assembly					181678-0-01				181678-0-01
D-15-4	Reverse Lever					118752-0-01				118752-0-01
E-12	Presser Foot					140957-0-01				145157-0-01
E-13	Hinge Screw					109163-0-01				109163-0-01
E-14	Tension Release Lever					111470-0-00				111470-0-00
E-15	Tension Release Lever Spring					100405-0-01				100405-0-01

Ref. No.	Name of Parts	Sub Class		103			105			
		Motor Spec.	Destination	Brother		Efka		Brother		Efka
							Germany, France			
E-24	Washer						025350-1-34			
E-25	Finger Guard						150384-0-01			
F-25	Oil Pan Assembly				181420-2-01			181420-2-01		
F-25-1	Oil Pan				149580-0-01			149580-0-01		
F-25-3	Knee Lifter Shaft				146036-1-01			146036-1-01		
F-25-8	Spring				146038-0-01			146038-0-01		
G-9	Screw				001639-3-12			001639-3-12		
G-10	Tension Release Solenoid Assembly			147107-0-01				147107-0-01		
G-13	Supporter				140647-0-01			140647-0-01		
G-14	Connector Cap			145596-0-01				145596-0-01		
G-15	Nylon Connector			145681-0-00				145681-0-00		
18	Thread Trimming Solenoid Assembly			146014-0-01				146014-0-01		
G-32	Movable Knife				145608-0-01			146187-0-00		
G-34	Spacer				145611-0-00			145610-1-01		
G-44	Rotary Solenoid					148852-0-01			148852-0-01	
G-45	Thread Trimming Solenoid					146910-0-01			146910-0-01	
G-46	Tube Holder									
G-47	Cord Holder									
G-48	Cord Holder									
G-49	Cord Holder									
H-2	Synchronizer Assembly			218931-0-01				218931-0-01		
H-3	Synchronizer Holder Bar					218944-0-01			218944-0-01	
H-5	Holder					216332-0-01			216332-0-01	
H-6	Slip Ring Support					148825-0-01			148825-0-01	
J-5	Cord									
27	Switch									
J-31	Cord									
J-32	Switch									
K-5	Reverse Solenoid Assembly									
K-6	6P Connector									
K-7	Connector Cap									
K-33	Reverse Solenoid									
Z-6	Needle				100265-0-34		107415-0-14		100265-0-42	
Z-8	Bobbin Case Sheet									
Z-20	Belt Cover Assembly				147895-0-11			147895-0-11		
21	Needle Plate				100266-0-01			100266-0-01		
Z-22	Screw									
Z-24	Cotton Stand Assembly				150150-0-01		150150-0-01		150150-0-01	
Z-25	Movable Knife				145608-0-01			147981-0-01		

Ref. No.	Name of Parts	203		205	
		Sub Class		Sub Class	
		Brother	Efka	Brother	Efka
A- 2	Oil Cap		104449-0-01		104449-0-01
A- 4	Face Plate		148330-0-01		148330-0-01
A- 6	Screw				
A- 7	Face Plate Thread Guide				
A- 8	Oil Stopper Plate Assembly		181641-0-01		181641-0-01
A-20	Pretension Assembly				
A-21	Rear Cover		118673-0-01		118673-0-01
A-32	Tension Regulator Assembly		181473-0-01		181635-0-01
A-32-2	Tension Spring		104525-0-01		145153-0-01
A-32-6	Thread Take-up Spring		100399-0-01		145519-0-01
A-33	Tension Release Pin		146065-0-00		146065-0-00
A-37	Oil Cap		142274-0-01		142274-0-01
A-40	Needle Plate		145971-0-01		147245-0-01
B- 4	Thread Take-up Lever Assembly		116732-0-01		116732-0-01
B- 4-3	Needle Roller Bearing		116735-0-00		116735-0-00
B- 4-5	Cap		145600-0-00		145600-0-00
B- 4-9	Needle Bar Connector		140353-0-01		140353-0-01
B-12	Needle Bar		145467-0-01		145986-0-01
B-14	Needle Bar Bushing Lower		117243-0-01		142116-0-01
B-16	Needle Bar Thread Guide		145944-0-01		145944-0-01
B-18	Needle		100265-0-34		100265-0-42
B-22	Thread Take-up Crank		142782-0-00		111465-0-00
B-45	Pulley		148823-0-01		148823-0-01
C- 5	Feed Dog		100334-0-01		144500-0-01
C-18	Lower Shaft		145517-0-01		145517-0-01
C-19	Felt		145751-0-01		145751-0-01
C-22	Screw		009681-0-12		009681-0-12
C-23	Bobbin Case Assembly		148350-1-01		148350-1-01
C-24	Bobbin Case Sheet				
C-26	Rotary Hook Assembly		145585-1-01		145585-1-01
C-27	Oil Stopper Assembly				
C-47	Bobbin Presser Spring		148967-1-01		148967-1-01
D- 4	Eccentric Wheel		180792-0-01		145269-0-01
D-11	Spring		118753-0-01		145643-0-01
D-15	Reverse Lever Assembly		181578-0-01		181678-0-01
D-15-4	Reverse Lever		118752-0-01		118752-0-01
E-12	Presser Foot		140957-0-01		145157-0-01
E-13	Hinge Screw		109163-0-01		109163-0-01
E-14	Tension Release Lever		111470-0-00		111470-0-00
E-15	Tension Release Lever Spring		100405-0-01		100405-0-01

Ref. No.	Sub Class Motor Spec. Destination	203		205	
		Brother		Efka	
Name of Parts					
E-24	Washer				
E-25	Finger Guard				
F-25	Oil Pan Assembly	181420-2-01		181420-2-01	
F-25-1	Oil Pan	149580-0-01		149580-0-01	
F-25-3	Knee Lifter Shaft	146036-1-01		146036-1-01	
F-25-8	Spring	146038-0-01		146038-0-01	
G-9	Screw	001639-3-12		001639-3-12	
G-10	Tension Release Solenoid Assembly	147107-0-01		147107-0-01	
G-13	Supporter				
G-14	Connector Cap	146119-0-00		146119-0-00	
G-15	Nylon Connector	145681-0-00		145681-0-00	
18	Thread Trimming Solenoid Assembly	146014-0-01		146014-0-01	
G-32	Movable Knife	145608-0-01		147981-0-01	
G-34	Spacer	145611-0-00		146187-0-00	
G-44	Rotary Solenoid		148852-0-01		148852-0-01
G-45	Thread Trimming Solenoid		146910-0-01		146910-0-01
G-46	Tube Holder	142268-0-01		142268-0-01	
G-47	Cord Holder				
G-48	Cord Holder				
G-49	Cord Holder				
H-2	Synchronizer Assembly	218931-0-01		218931-0-01	
H-3	Synchronizer Holder Bar		218944-0-01		218944-0-01
H-5	Holder		216332-0-01		216332-0-01
H-6	Slip Ring Support		148825-0-01		148825-0-01
I-5	Cord	146095-0-00		146095-0-00	
I-27	Switch				
J-31	Cord		146912-0-00		146912-0-00
J-32	Switch				
K-5	Reverse Solenoid Assembly				
K-6	6P Connector				
K-7	Connector Cap				
K-33	Reverse Solenoid				
Z-6	Needle	100265-0-34		100265-0-42	
Z-8	Bobbin Case Sheet				
Z-20	Belt Cover Assembly	147895-0-11		147895-0-11	
Z-21	Needle Plate	100266-0-01		100266-0-01	
Z-22	Screw				
Z-34	Cotton Stand Assembly	150150-0-01		150150-0-01	
Z-25	Movable Knife	145608-0-01		147981-0-01	

-400

Ref. Npo.	Name of Parts	403		405	
		Brother	Efka	Brother	Efka
		U.S.A., Canada			
Sub Class	Motor Spec.	Destination			
A- 2	Oil Cap		104449-0-01		104449-0-01
A- 4	Face Plate		148330-0-01		148330-0-01
A- 6	Screw				
A- 7	Face Plate Thread Guide				
A- 8	Oil Stopper Plate Assembly		181641-0-01		181641-0-01
A-20	Pretension Assembly				
A-21	Rear Cover		148452-0-01		148452-0-01
A-32	Tension Regulator Assembly		181473-0-01		181635-0-01
A-32-2	Tension Spring		104525-0-01		145153-0-01
A-32-6	Thread Take-up Spring		100399-0-01		145519-0-01
A-33	Tension Release Pin		146065-0-00		146065-0-00
A-37	Oil Cap		142274-0-01		142274-0-01
A-40	Needle Plate		145971-0-01		147245-0-01
B- 4	Thread Take-up Lever Assembly		116732-0-01		116732-0-01
B- 4-3	Needle Roller Bearing		116735-0-00		116735-0-00
B- 4-5	Cap		145600-0-00		145600-0-00
B- 4-9	Needle Bar Connector		140353-0-01		140353-0-01
B-12	Needle Bar		145467-0-01		145986-0-01
B-14	Needle Bar Bushing Lower		117243-0-01		142116-0-01
B-16	Needle Bar Thread Guide		145944-0-01		145944-0-01
B-18	Needle		145971-0-01		147245-0-01
B-22	Thread Take-up Crank		142782-0-00		111465-0-00
B-45	Pulley		148823-0-01		148823-0-01
C- 5	Feed Dog		100334-0-01		144500-0-01
C-18	Lower Shaft		145517-0-01		145517-0-01
C-19	Felt		145751-0-01		145751-0-01
C-22	Screw		009681-0-12		009681-0-12
C-23	Bobbin Case Assembly		148350-1-01		148350-1-01
C-24	Bobbin Case Sheet				
C-26	Rotary Hook Assembly		145585-1-01		145585-1-01
C-27	Oil Stopper Assembly				
C-47	Bobbin Presser Spring		148967-1-01		148967-1-01
D- 4	Eccentric Wheel		180792-0-01		145269-0-01
D-11	Spring		148459-0-01		148459-0-01
D-15	Reverse Lever Assembly		181714-0-01		181714-0-01
D-15-4	Reverse Lever		148458-0-01		148458-0-01
E-12	Presser Foot		140957-0-01		145157-0-01
E-13	Hinge Screw		109163-0-01		109163-0-01
E-14	Tension Release Lever		111470-0-00		111470-0-00
E-15	Tension Release Lever Spring		100405-0-01		100405-0-01

Ref. No.	Name of Parts	403			405		
		Brother		Efka	Brother		Efka
				U.S.A., Canada			
E-24	Washer						
E-25	Finger Guard						
F-25	Oil Pan Assembly		181420-2-01			181420-2-01	
F-25-1	Oil Pan		149580-0-01			149580-0-01	
F-25-3	Knee Lifter Shaft		146036-1-01			146036-1-01	
F-25-8	Spring		146038-0-01			146038-0-01	
G-9	Screw						
G-10	Tension Release Solenoid Assembly	147107-0-01			147107-0-01		
G-13	Supporter						
G-14	Connector Cap	146119-0-00			146119-0-00		
G-15	Nylon Connector	145681-0-00			145681-0-00		
18	Thread Trimming Solenoid Assembly	146014-0-01			146014-0-01		
G-32	Movable Knife		145608-0-01			147981-0-01	
G-34	Spacer		145611-0-00			146187-0-00	
G-44	Rotary Solenoid		148852-0-01	151247-0-01		148852-0-01	
G-45	Thread Trimming Solenoid		146910-0-01	151187-0-01		146910-0-01	
G-46	Tube Holder						
G-47	Cord Holder						
G-48	Cord Holder		148856-0-01			148856-0-01	
G-49	Cord Holder		148462-0-01			148462-0-01	
H-2	Synchronizer Assembly	218931-0-01			218931-0-01		
H-3	Synchronizer Holder Bar		218944-0-01			218944-0-01	
H-5	Holder		216332-0-01			216332-0-01	
H-6	Slip Ring Support		148825-0-01			148825-0-01	
J-5	Cord	146095-0-00			146095-0-00		
27	Switch	146121-0-00			146121-0-00		
J-31	Cord		146912-0-00	151183-0-01		146912-0-00	
J-32	Switch		146913-0-00	151185-0-01		146913-0-00	
K-5	Reverse Solenoid Assembly	147756-0-01			147756-0-01		
K-6	6P Connector	146118-0-00			146118-0-00		
K-7	Connector Cap	145596-0-01			145596-0-01		
K-33	Reverse Solenoid		147757-0-01	151181-0-01		147757-0-01	
Z-6	Needle		100265-0-34			100265-0-42	
Z-8	Bobbin Case Sheet						
Z-20	Belt Cover Assembly		147895-0-11			147895-0-11	
Z-21	Needle Plate		100266-0-01			100266-0-01	
Z-22	Screw						
Z-24	Cotton Stand Assembly		150150-0-01	150150-0-01		150150-0-01	
Z-25	Movable Knife		145608-0-01			147981-0-01	

-500

Ref. No.	Name of Parts	Sub Class Motor Spec. Destination	503				505			
			Brother		Efka		Brother		Efka	
					Germany, France	U.S.A., Canada				
A-2	Oil Cap		104449-0-01				104449-0-01			
A-4	Face Plate		148330-0-01				148330-0-01			
A-6	Screw									
A-7	Face Plate Thread Guide									
A-8	Oil Stopper Plate Assembly		181641-0-01				181641-0-01			
A-20	Pretension Assembly									
A-21	Rear Cover		148452-0-01				148452-0-01			
A-32	Tension Regulator Assembly		181473-0-01				181635-0-01			
A-32-2	Tension Spring		104525-0-01				145153-0-01			
A-32-6	Thread Take-up Spring		100399-0-01				145519-0-01			
A-33	Tension Release Pin									
A-37	Oil Cap		142274-0-01				142274-0-01			
A-40	Needle Plate		145971-0-01				147245-0-01			
B-4	Thread Take-up Lever Assembly		116732-0-01				116732-0-01			
B-4-3	Needle Roller Bearing		116735-0-00				116735-0-00			
B-4-5	Cap		145600-0-00				145600-0-00			
B-4-9	Needle Bar Connector		140353-0-01				140353-0-01			
B-12	Needle Bar		145467-0-01		147518-0-01	145467-0-01	145986-0-01			
B-14	Needle Bar Bushing Lower		117243-0-01				142116-0-01			
B-16	Needle Bar Thread Guide		145944-0-01				145944-0-01			
B-18	Needle		100265-0-34		107415-0-14	100265-0-34	100265-0-42			
B-22	Thread Take-up Crank		142782-0-00				111465-0-00			
B-45	Pulley		148823-0-01				148823-0-01			
C-5	Feed Dog		100334-0-01				144500-0-01			
C-18	Lower Shaft		145517-0-01				145517-0-01			
C-19	Felt		145751-0-01				145751-0-01			
C-22	Screw		009681-0-12				009681-0-12			
C-23	Bobbin Case Assembly		148350-1-01				148350-1-01			
C-24	Bobbin Case Sheet									
C-26	Rotary Hook Assembly		145585-1-01				145585-1-01			
C-27	Oil Stopper Assembly									
C-47	Bobbin Presser Spring		148967-1-01				148967-1-01			
D-4	Eccentric Wheel		180792-0-01				145269-0-01			
D-11	Spring		145643-0-01				145643-0-01			
D-15	Reverse Lever Assembly		181714-0-01				181714-0-01			
D-15-4	Reverse Lever		148458-0-01				148458-0-01			
E-12	Presser Foot		140957-0-01				145157-0-01			
E-13	Hinge Screw									
E-14	Tension Release Lever									
E-15	Tension Release Lever Spring									

I N D E X

Ref. No.	Name of Parts	503				505			
		Brother		Efka		Brother		Efka	
Sub Class	Motor Spec.			Germany, France	U.S.A., Canada				
Destination									
E-24	Washer			025350-1-34					
E-25	Finger Guard			150384-0-01					
F-25	Oil Pan Assembly			181430-2-01				181430-2-01	
F-25-1	Oil Pan			149581-0-01				149581-0-01	
F-25-3	Knee Lifter Shaft			146069-0-01				146069-0-01	
F-25-8	Spring			146985-0-01				146985-0-01	
G-9	Screw								
G-10	Tension Release Solenoid Assembly	147107-0-01				147107-0-01			
G-13	Supporter								
G-14	Connector Cap	146119-0-00				146119-0-00			
G-15	Nylon Connector	145681-0-00				145681-0-00			
G-18	Thread Trimming Solenoid Assembly	146014-0-01				146014-0-01			
G-32	Movable Knife			145608-0-01				147981-0-01	
G-34	Spacer			145611-9-00				146187-0-00	
G-44	Rotary Solenoid			148852-0-01	151247-0-01			148852-0-01	
G-45	Thread Trimming Solenoid			146910-0-01	151187-0-01			146910-0-01	
G-46	Tube Holder								
G-47	Cord Holder			148462-0-01				148462-0-01	
G-48	Cord Holder								
G-49	Cord Holder								
H-2	Synchronizer Assembly	218931-0-01				218931-0-01			
H-3	Synchronizer Holder Bar			218944-0-01				218944-0-01	
H-5	Holder			216332-0-01				216332-0-01	
H-6	Slip Ring Support			148825-0-01				148825-0-01	
J-5	Cord	146095-0-00				146095-0-00			
J-7	Switch	146121-0-00				146121-0-00			
J-31	Cord			146912-0-00	151183-0-01			146912-0-00	
J-32	Switch			146913-0-00	151185-0-01			146913-0-00	
K-5	Reverse Solenoid Assembly								
K-6	6P Connector								
K-7	Connector Cap								
K-33	Reverse Solenoid								
Z-6	Needle	100265-0-34		107415-0-14	100265-0-34			100265-0-42	
Z-8	Bobbin Case Sheet								
Z-20	Belt Cover Assembly			147895-0-11				147895-0-11	
Z-21	Needle Plate			100266-0-01				100266-0-01	
Z-22	Screw								
Z-24	Cotton Stand Assembly	150150-0-01			150150-0-01			150150-0-01	
Z-25	Movable Knife			145608-0-01				147981-0-01	